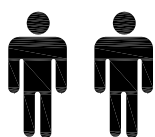
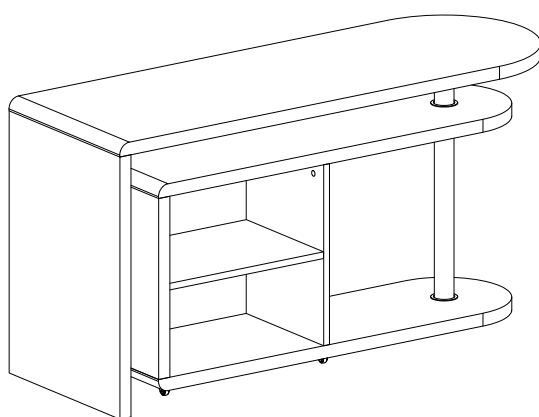
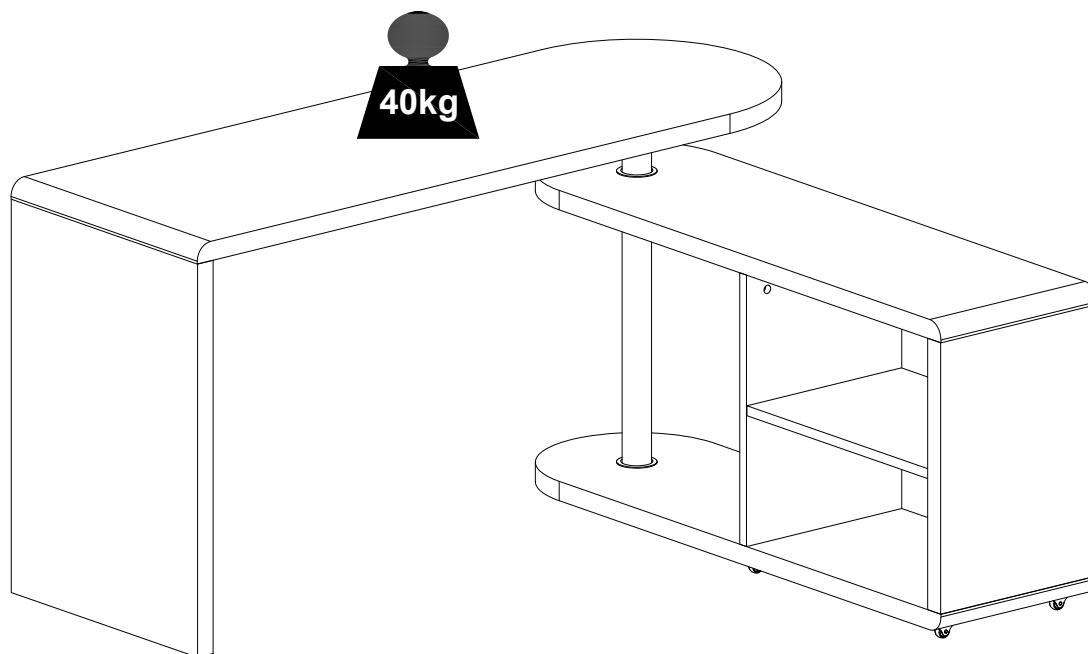
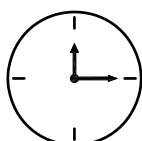


# 22390225-01

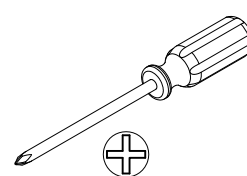
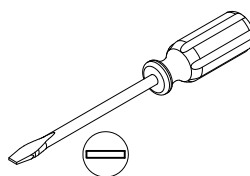
## LINA

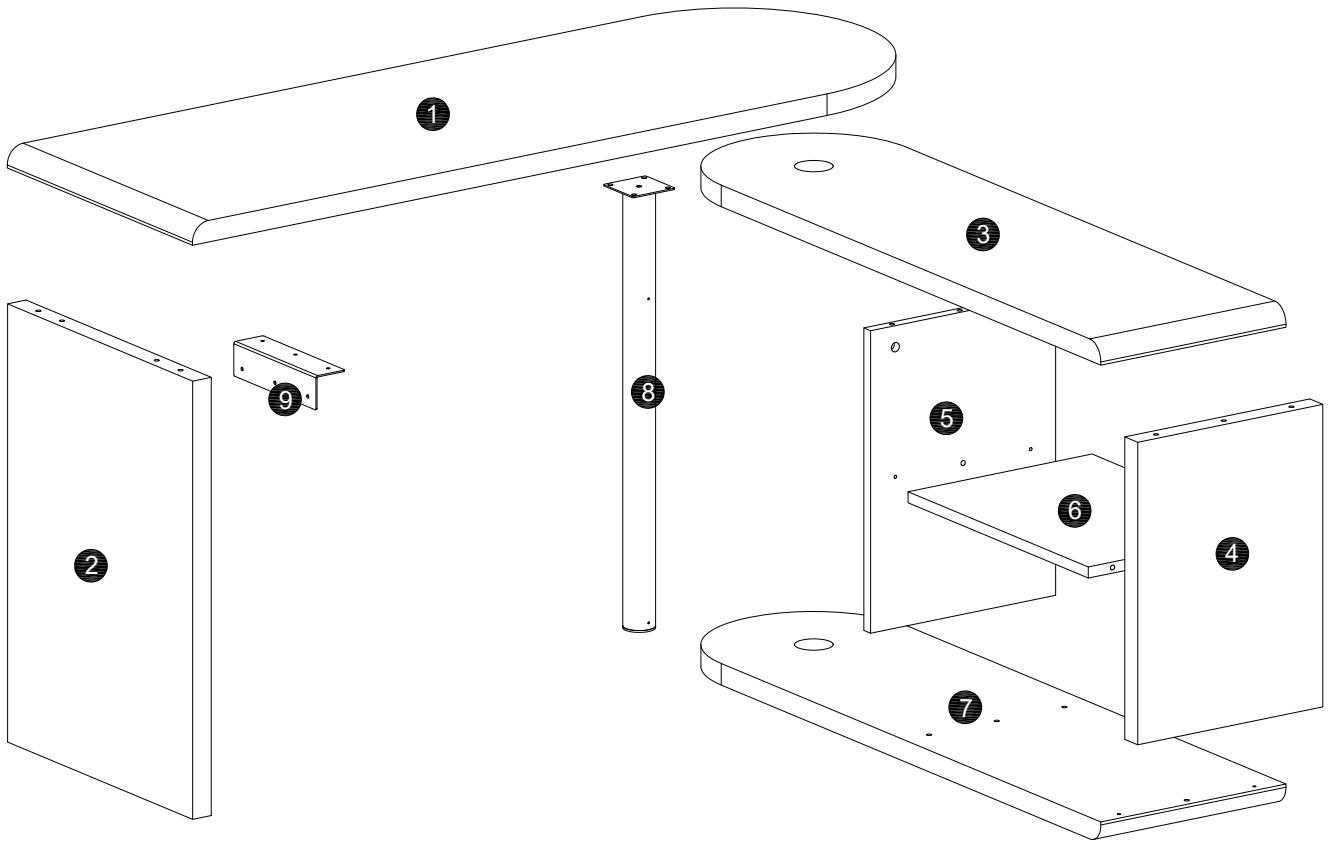


2 PERS.



45 MIN





A	x 12
Φ6x43mm	

B	x 12
Φ15mm	

C	x 8
Φ8x40mm	

D	x 2
Φ6x70mm	

E	x 20
Φ4x15mm	

F	x 4
M6x12mm	

G	x 8
Φ20mm	

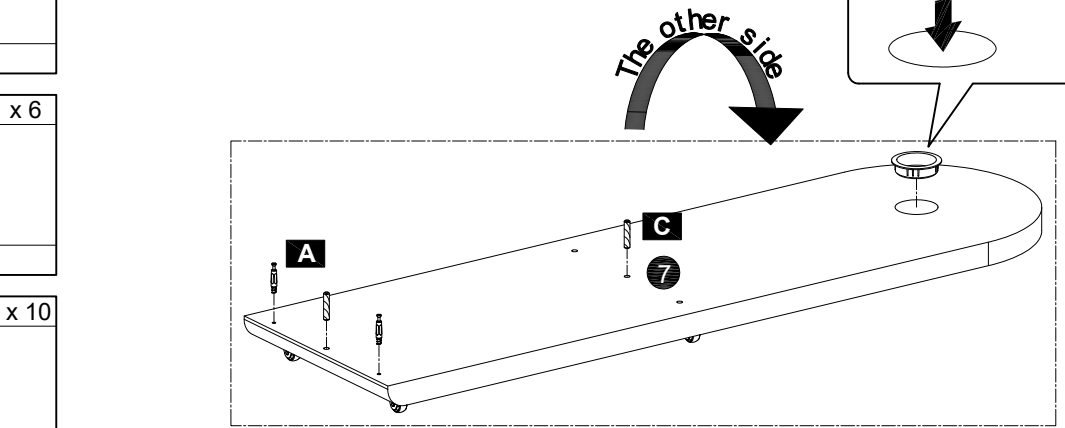
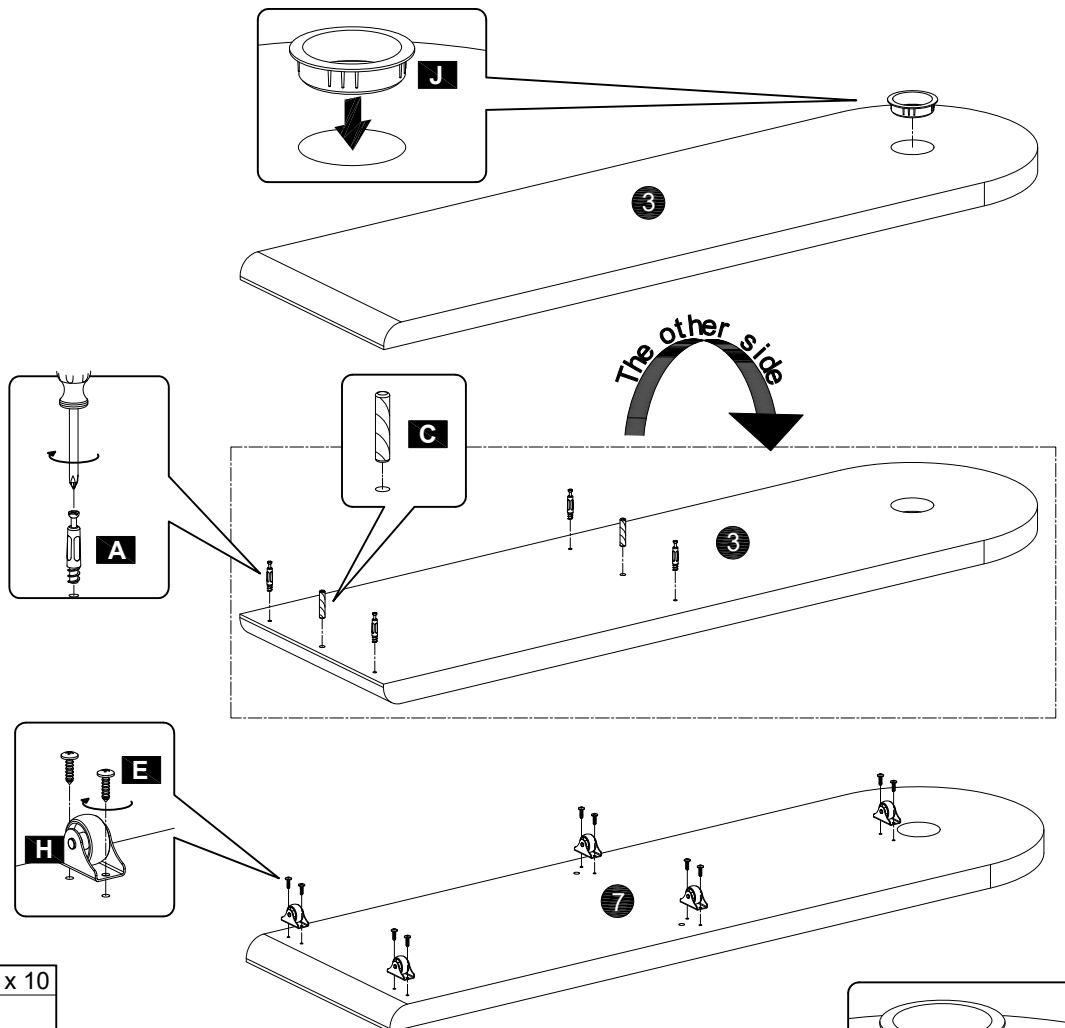
H	x 5
Φ25mm	


J	x 2
Φ70mm	

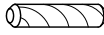
K	x 2
Φ90mm	


L	x 1
4mm	


1

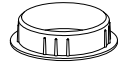


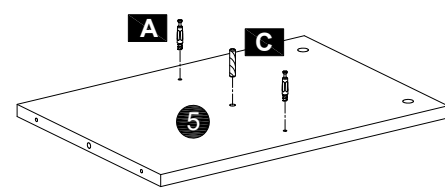
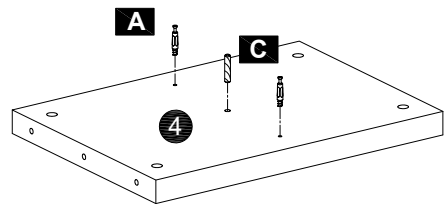
A	x 10
	
Φ6x43mm	

C	x 6
	
Φ8x40mm	

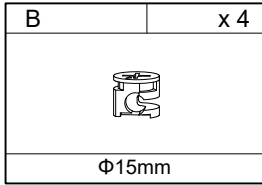
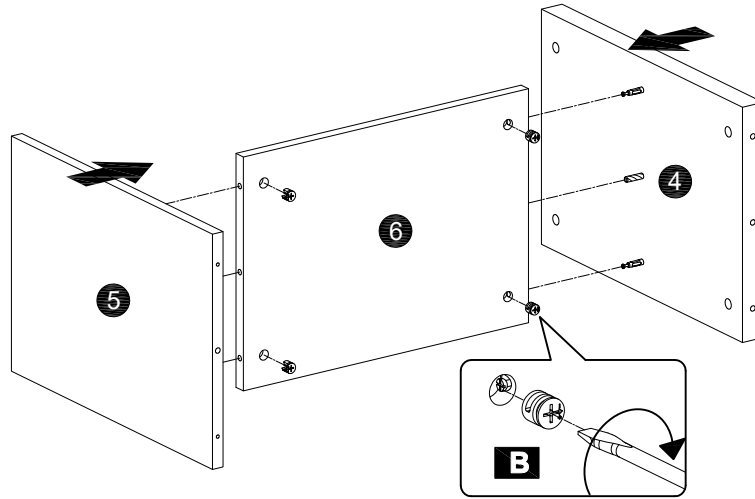
E	x 10
	
Φ4x15mm	

H	x 5
	
Φ25mm	

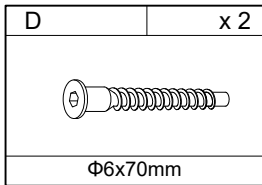
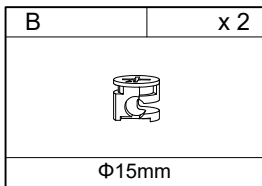
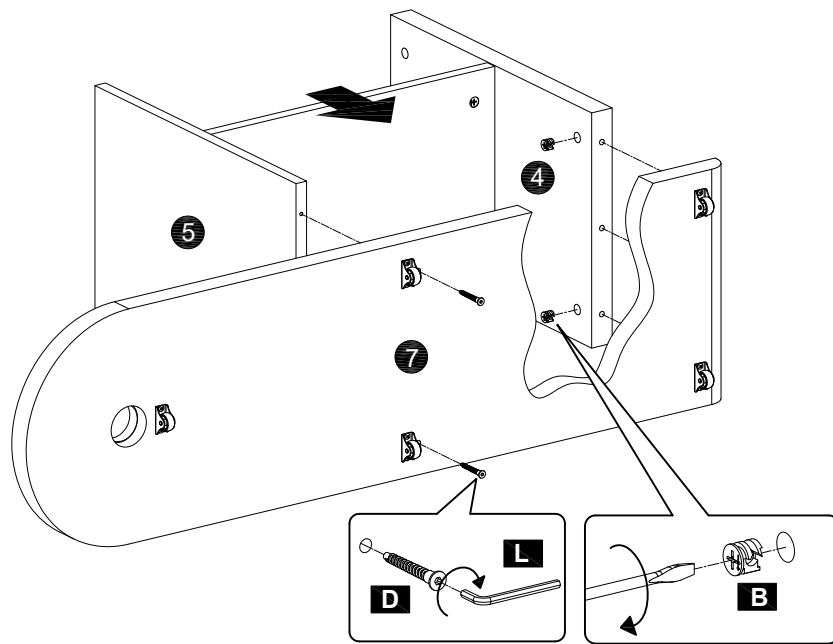
J	x 2
	
Φ70mm	



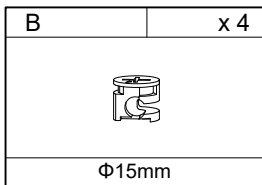
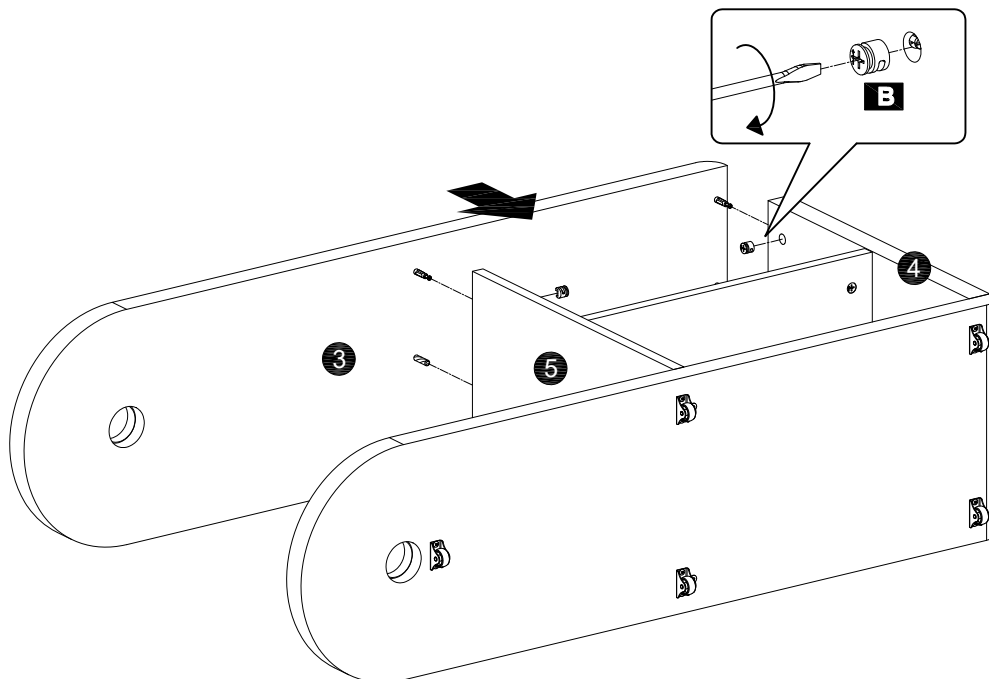
2



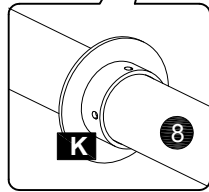
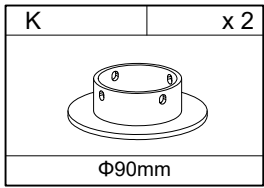
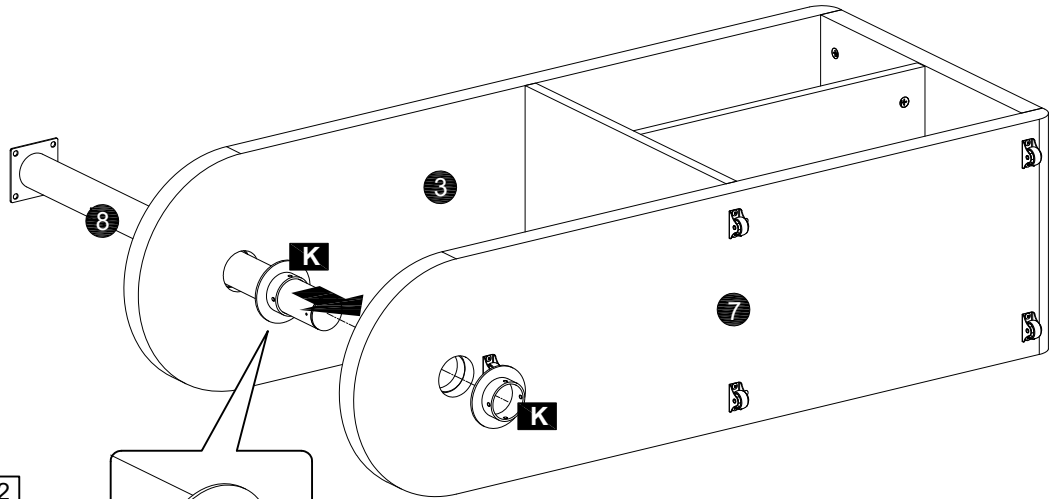
3



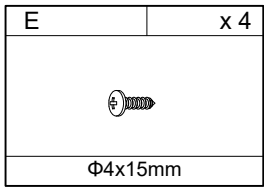
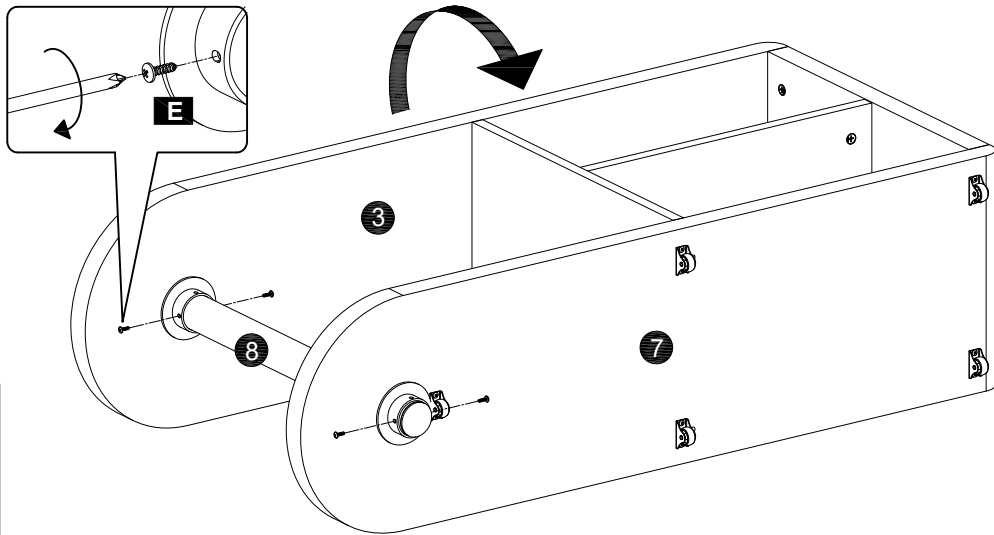
4



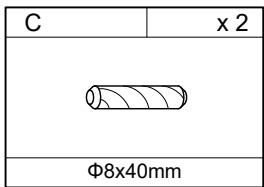
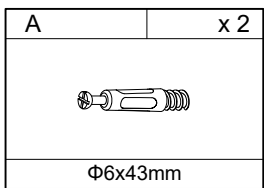
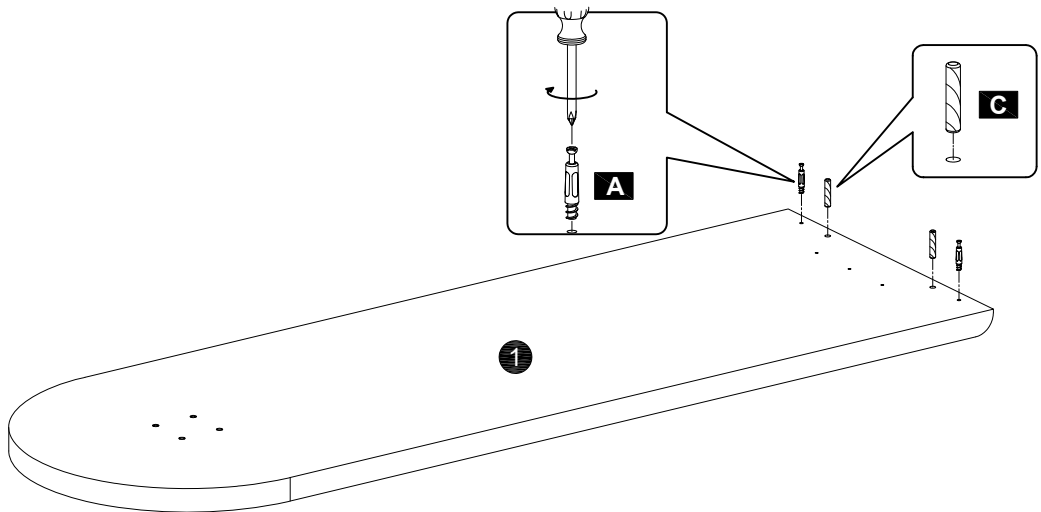
5



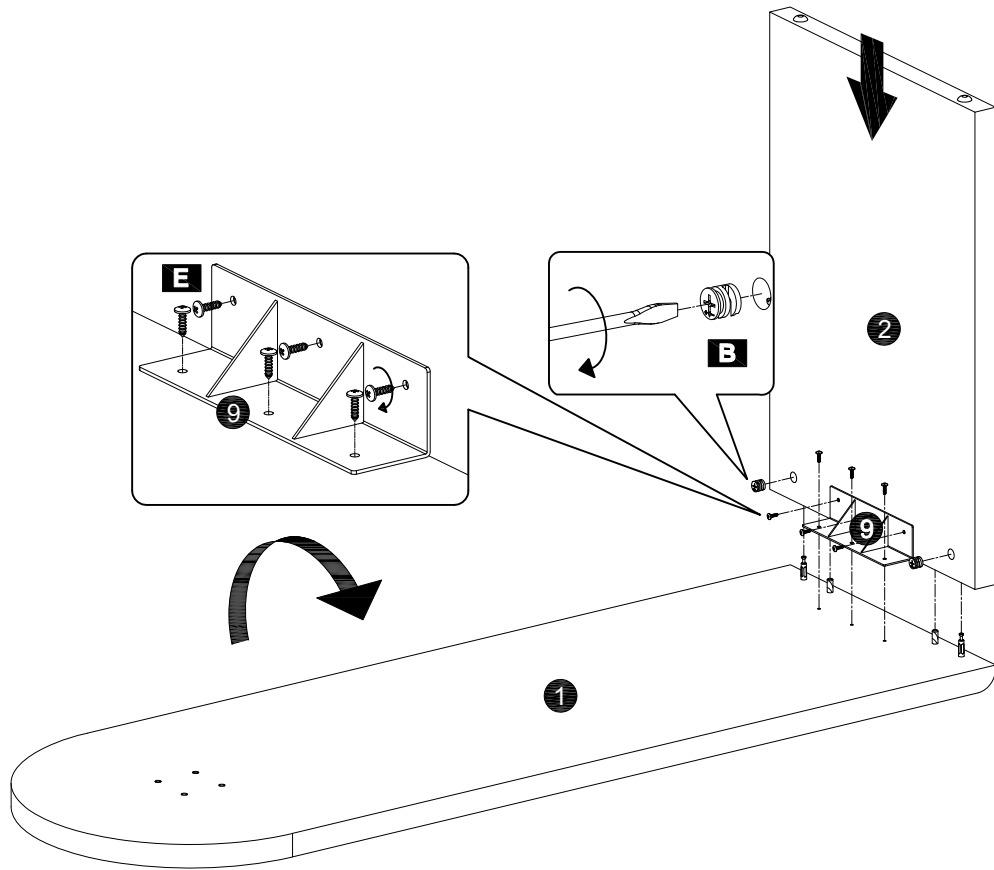
6



7



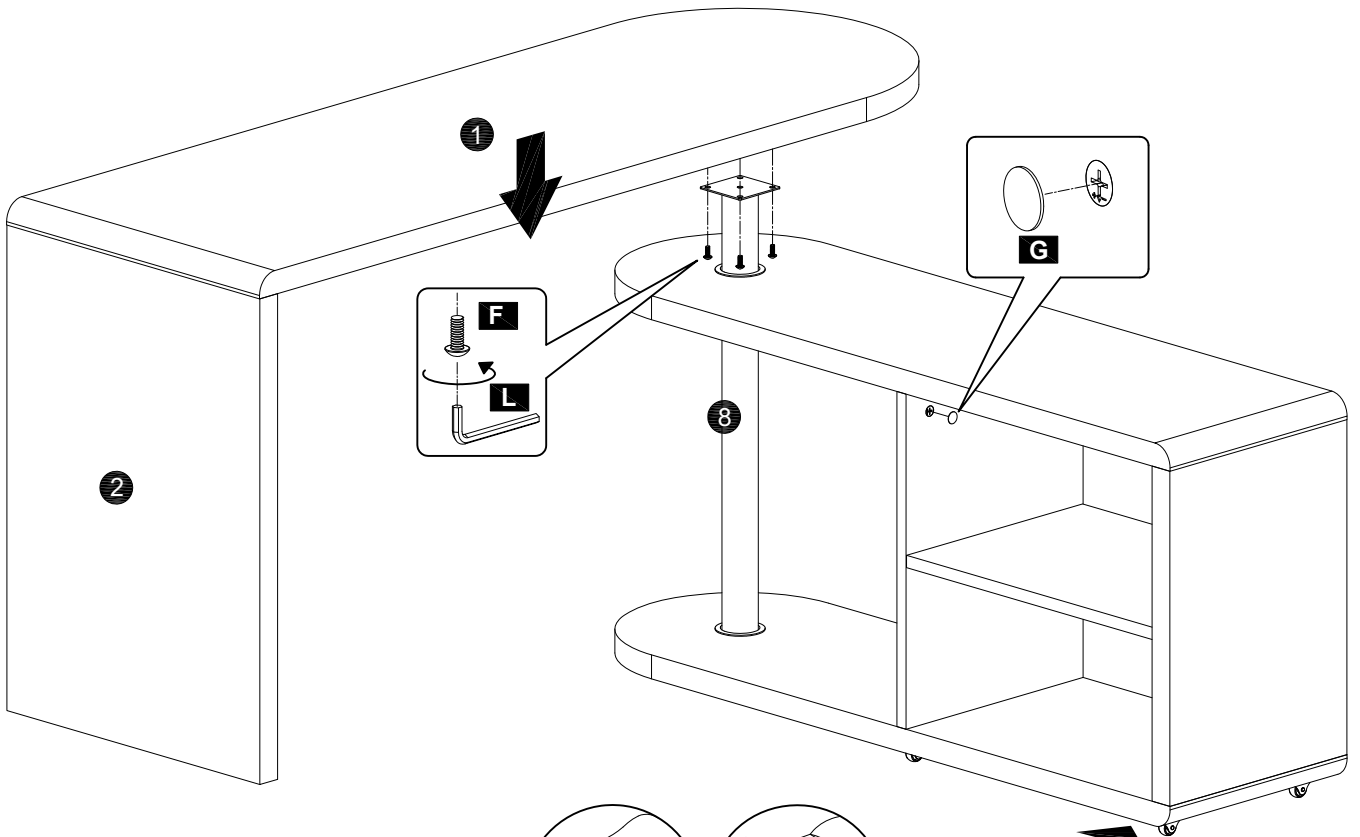
8



B	x 2
Φ15mm	

E	x 6
Φ4x15mm	

9



F	x 4
M6x12mm	

G	x 8
Φ20mm	

