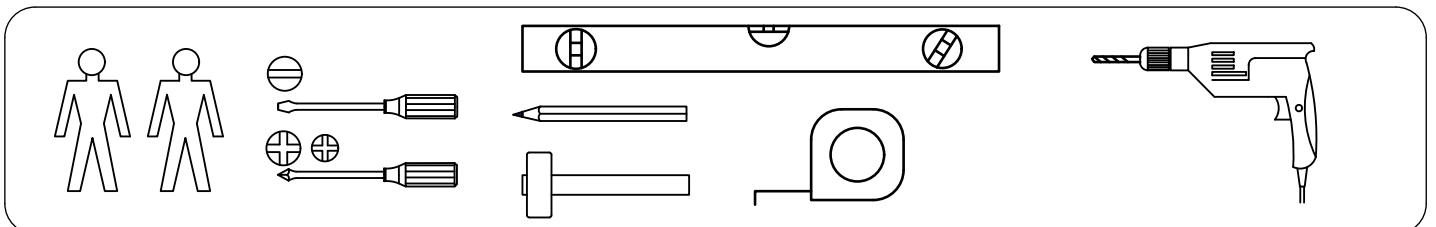
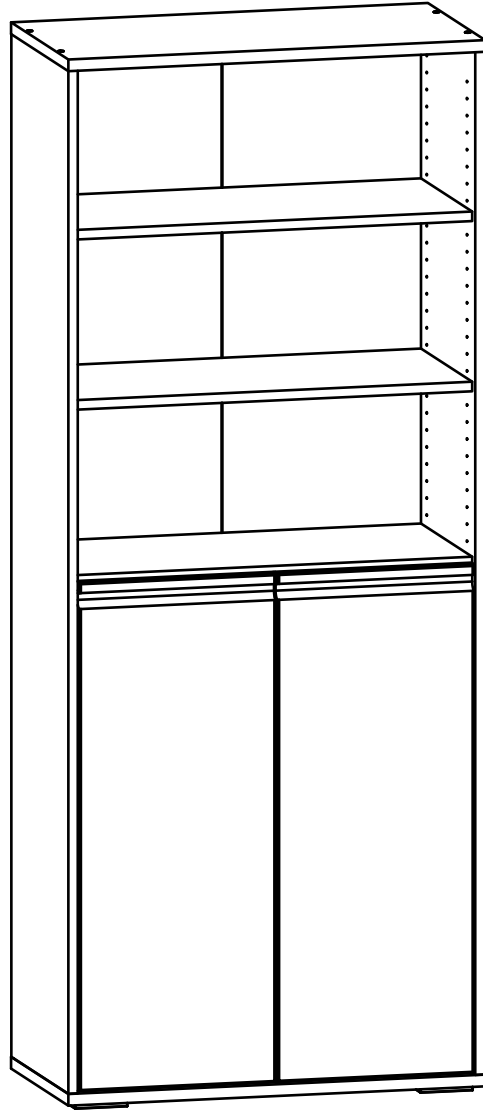
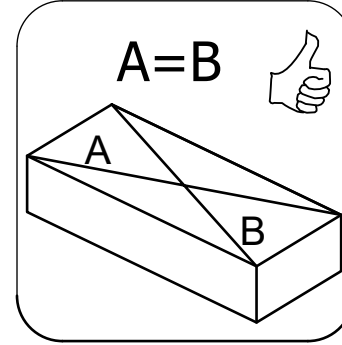
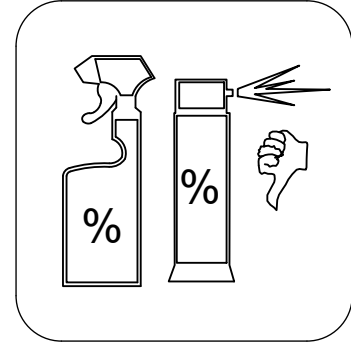
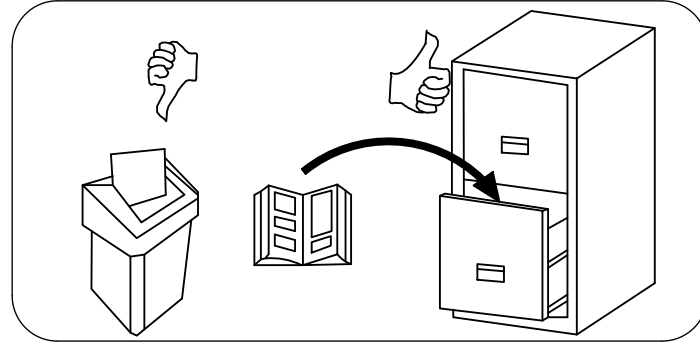
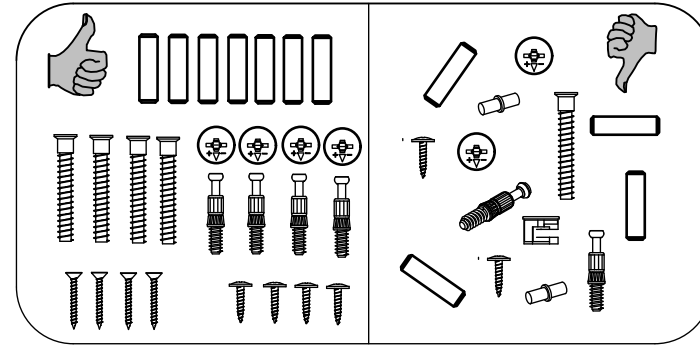
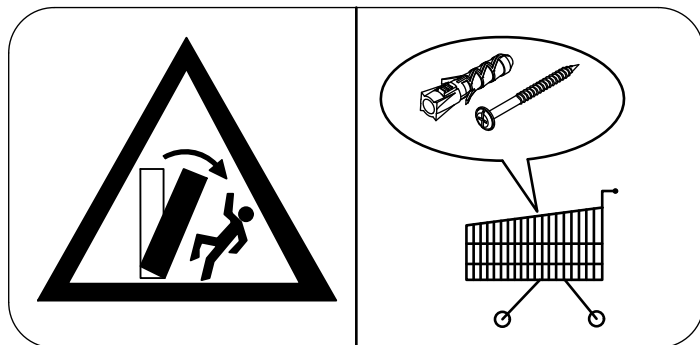
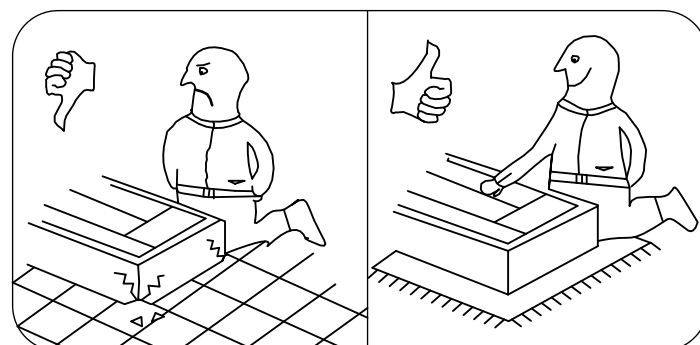
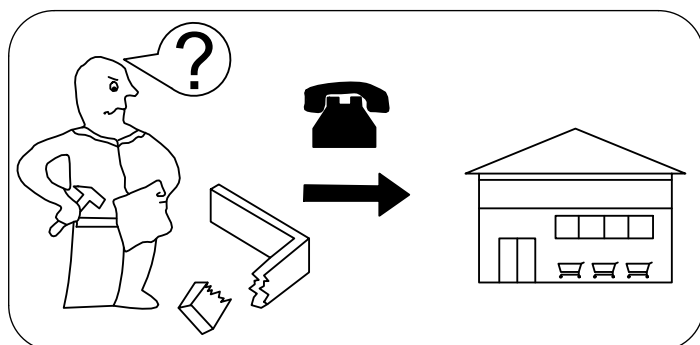
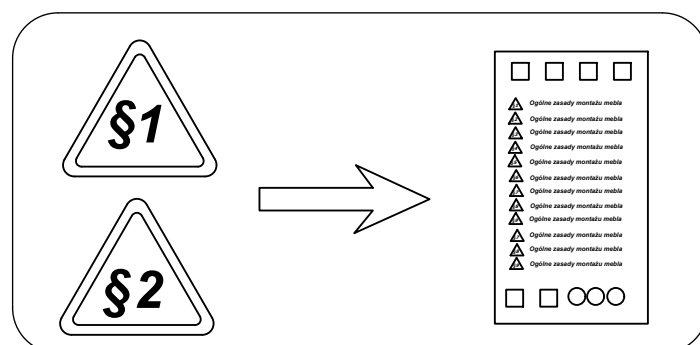
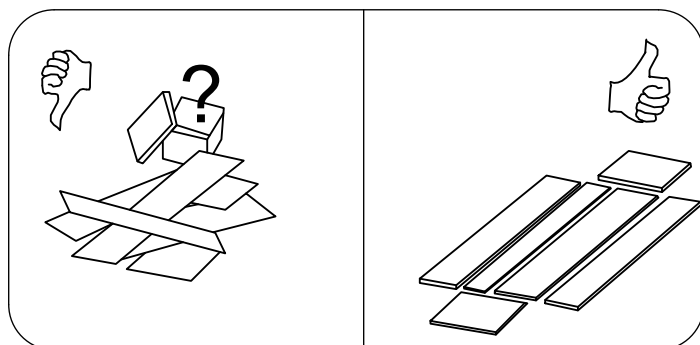
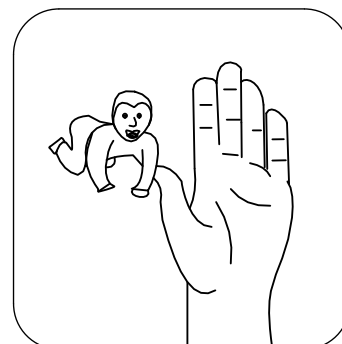
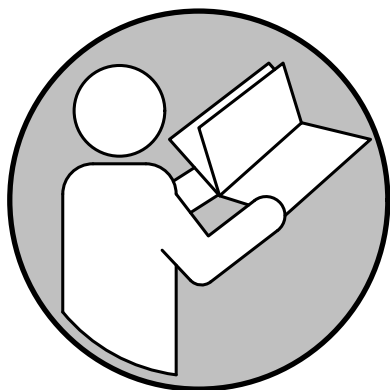
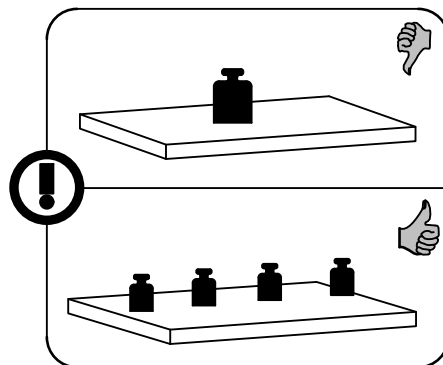
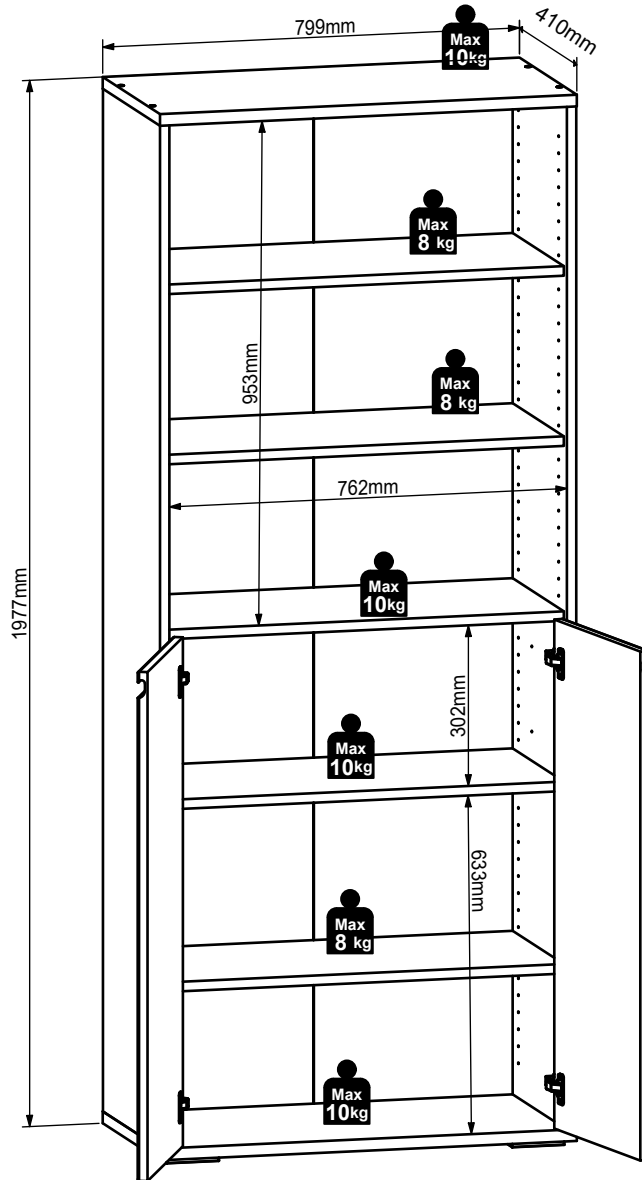


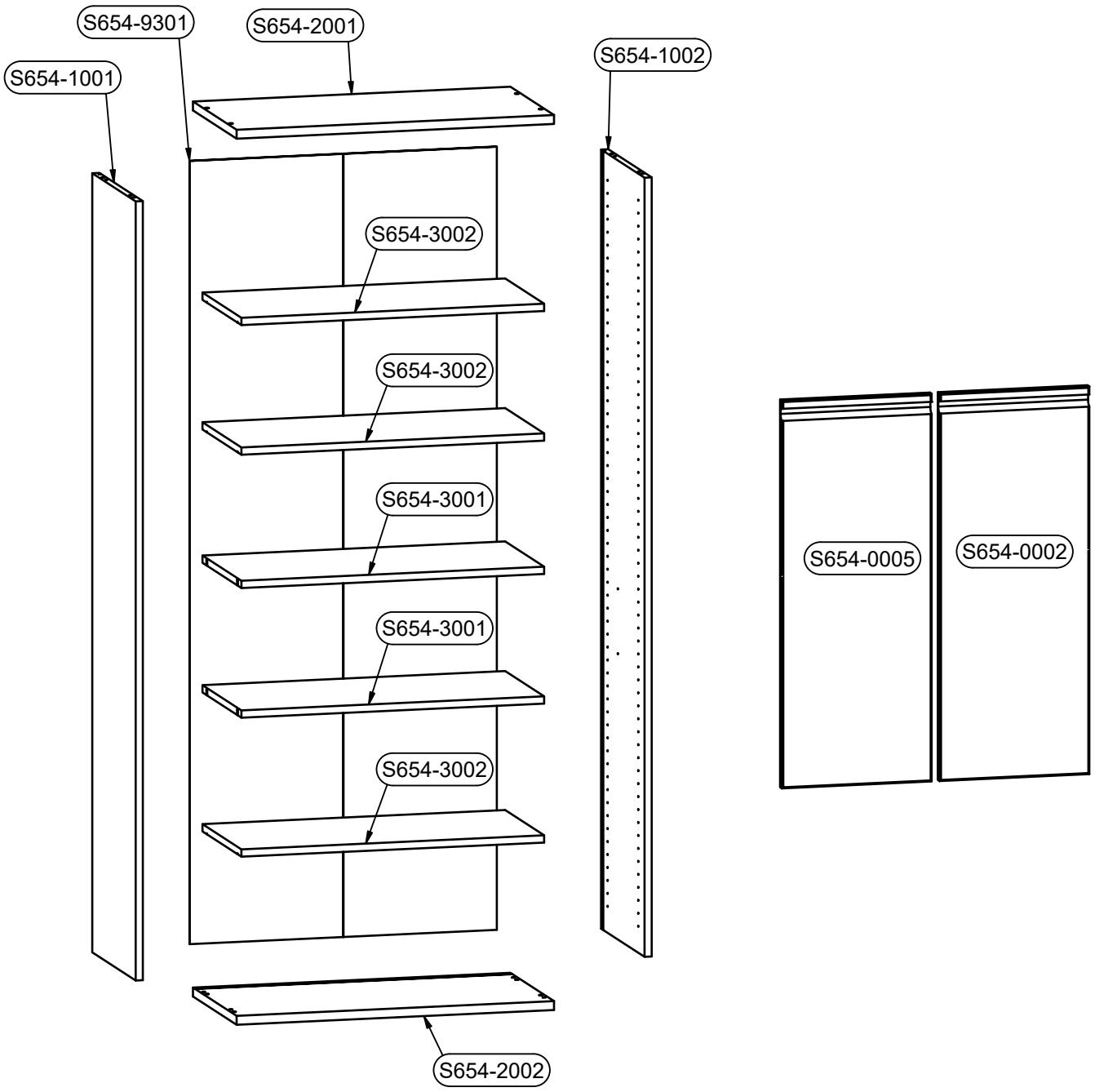
24270316/06



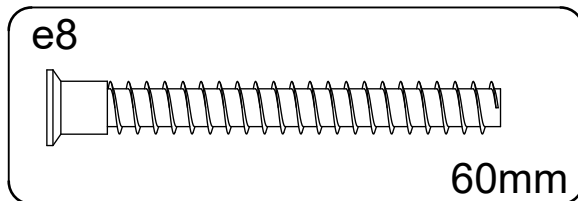
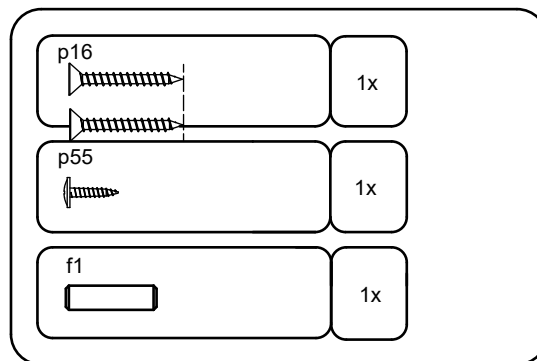
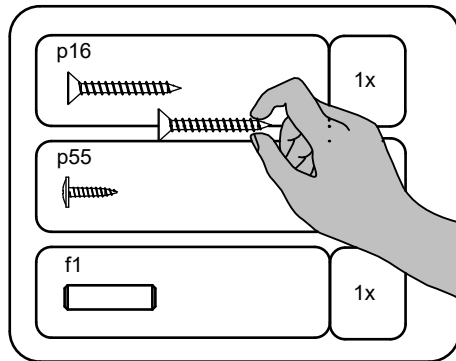




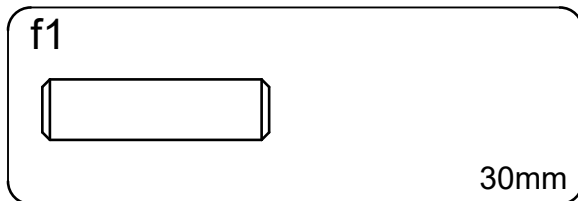
B1	B2	C1	C2	C3	C4	D
S654-0002	-	957	377	19	1	1/3
S654-0005	-	957	377	19	1	1/3
S654-1001	-	1923	408	18	1	3/3
S654-1002	-	1923	408	18	1	3/3
S654-2001	-	799	410	22	1	1/3
S654-2002	-	799	410	22	1	1/3
S654-3001	-	762	366	18	2	2/3
S654-3002	-	762	366	18	3	2/3
S654-9301	-	1933	773	2,5	1	3/3



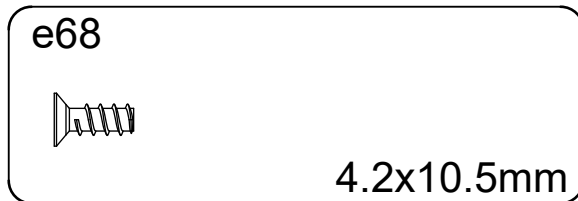
1:1



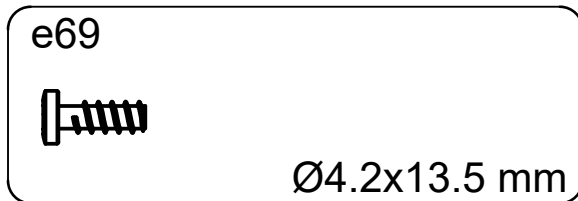
4x



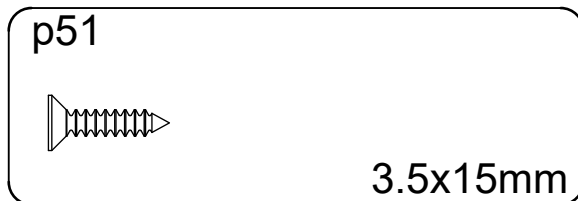
8x



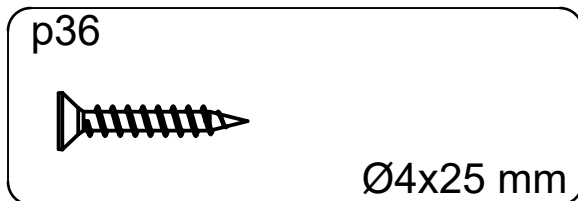
8x



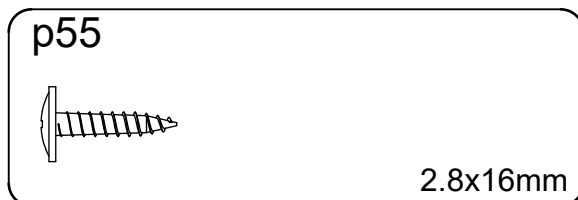
8x



10x



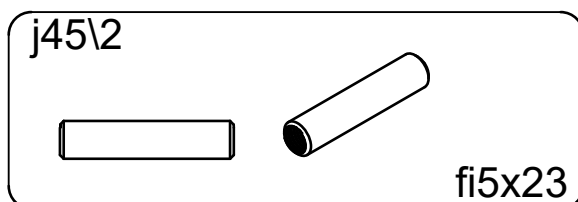
16x



8x



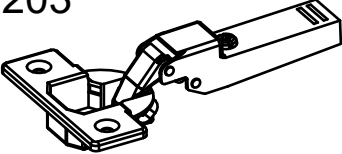
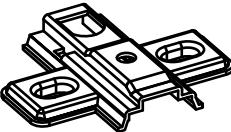

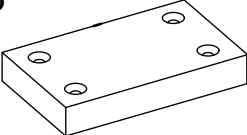
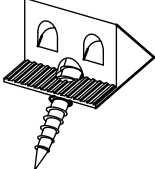
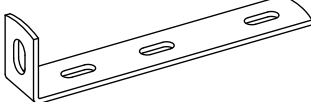
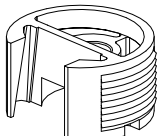

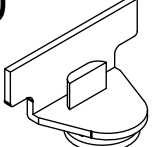
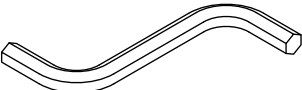
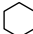
4x

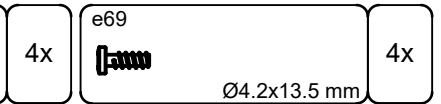
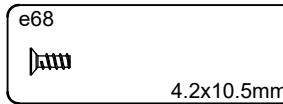
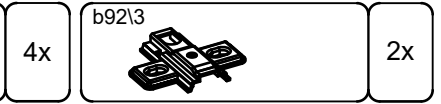
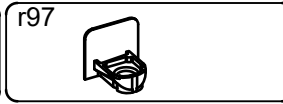
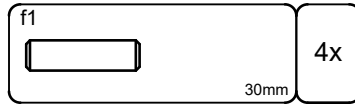


2x

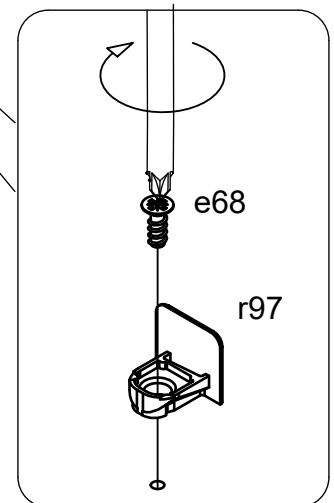
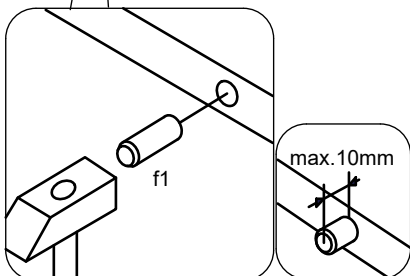
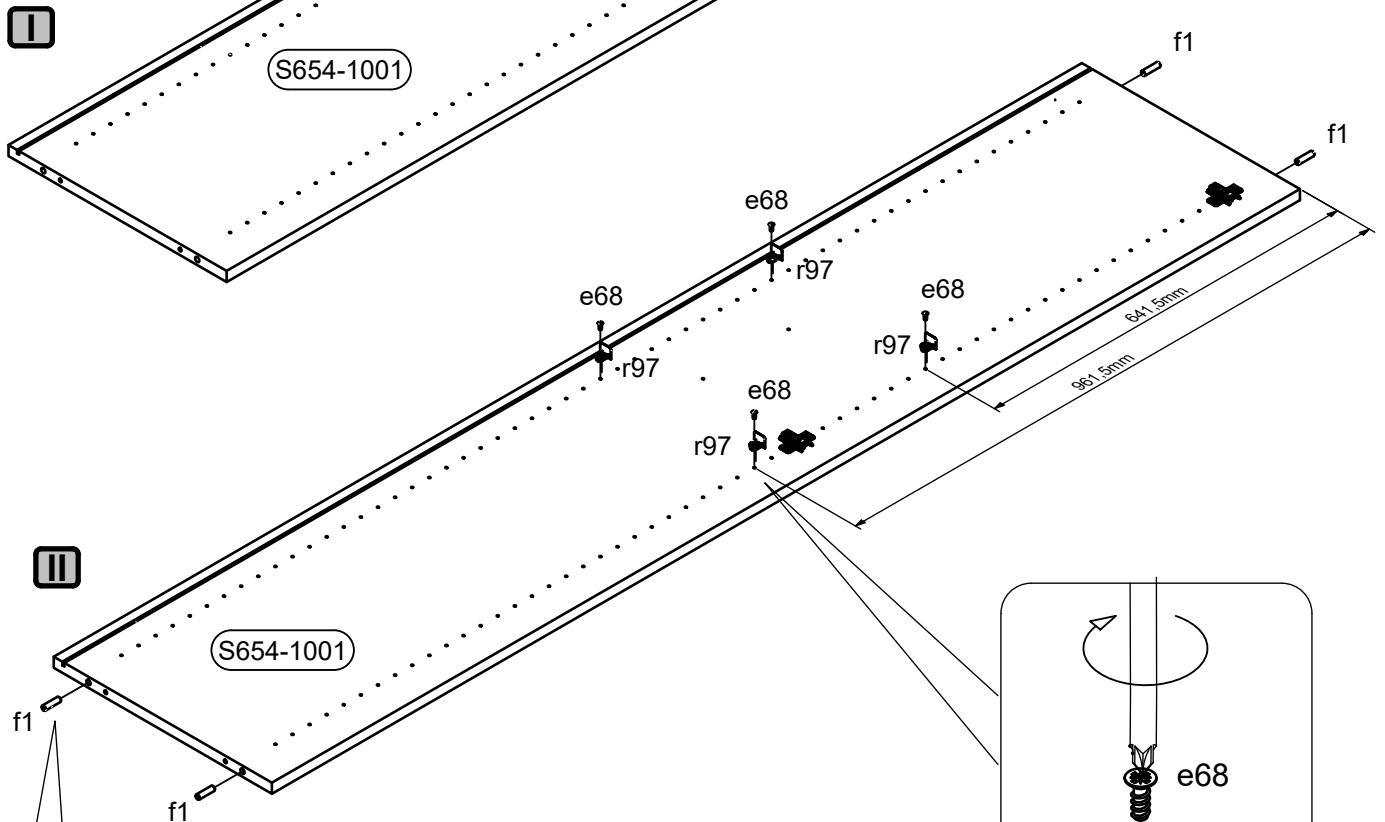
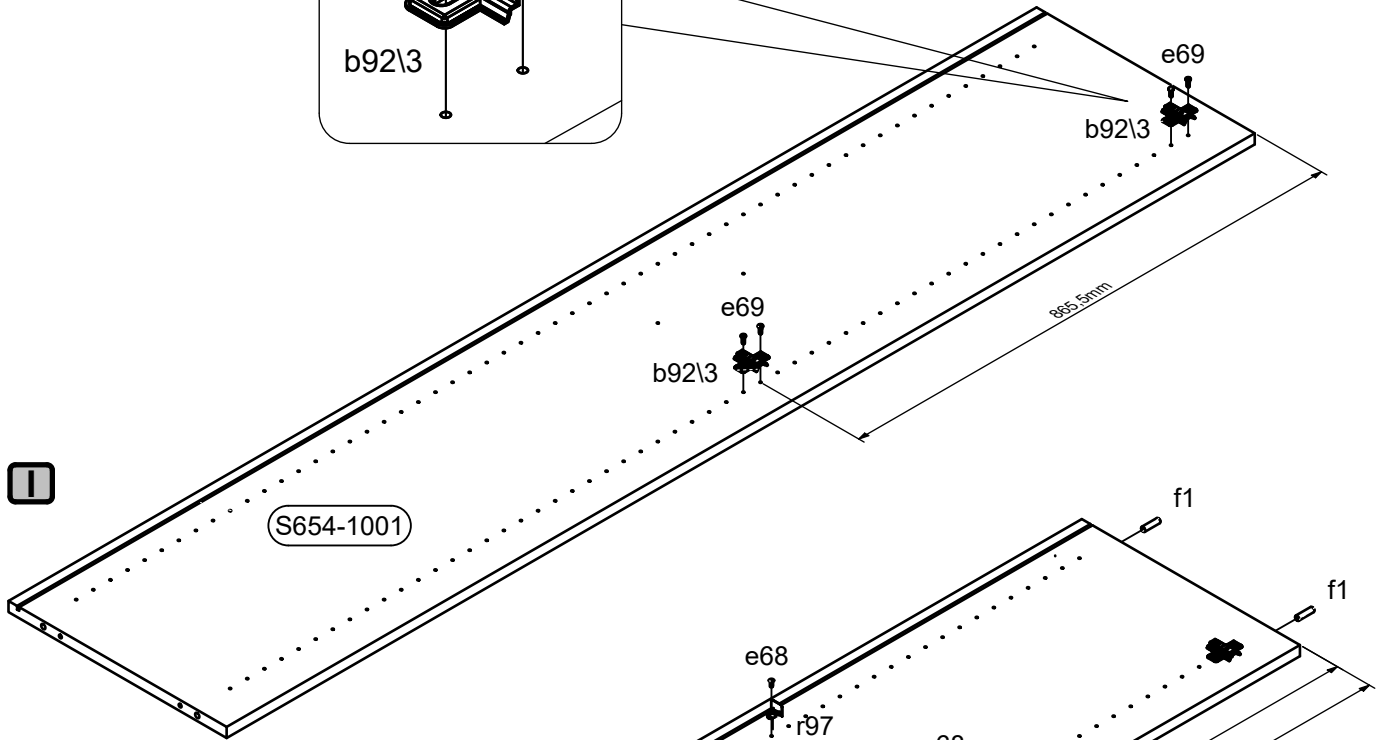
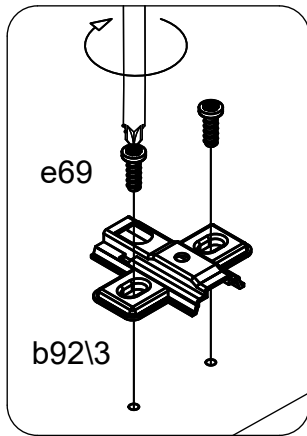


~~1:1~~

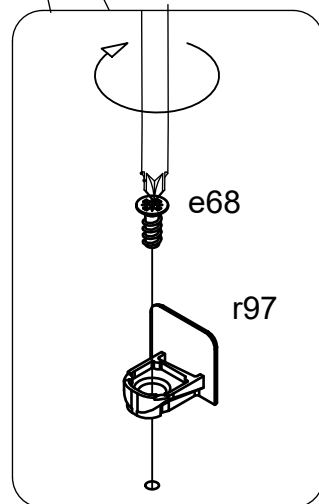
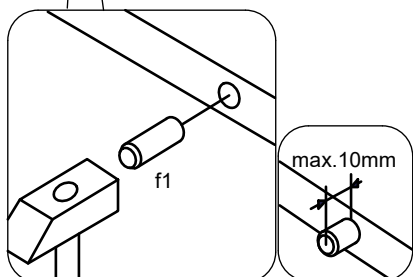
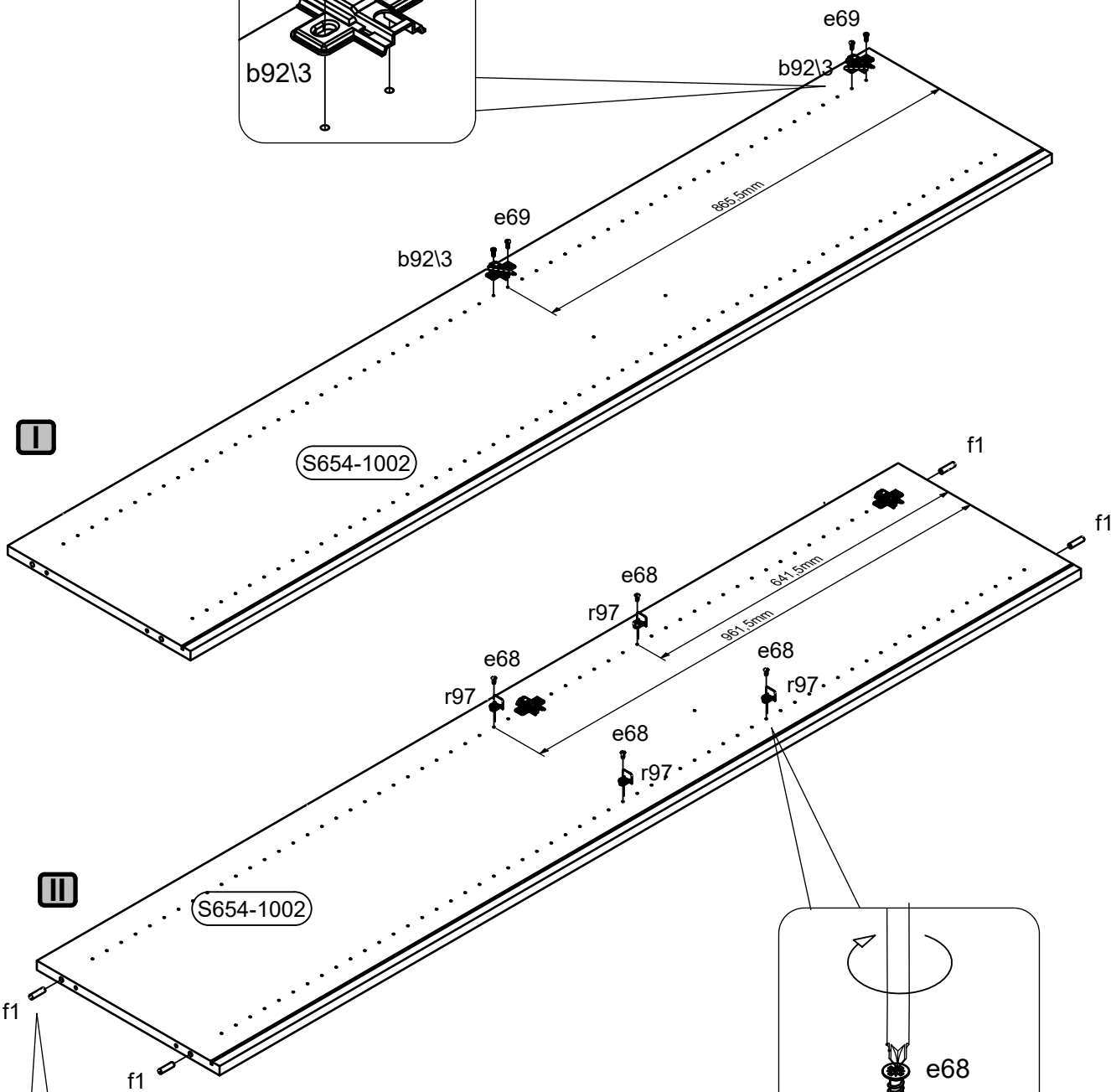
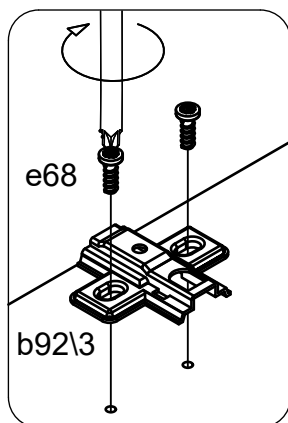
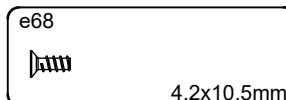
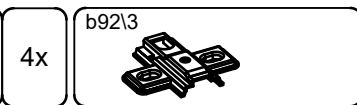
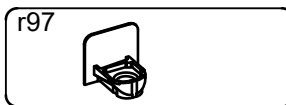
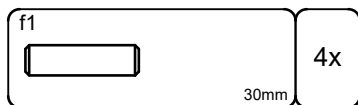
a203 	4x	b92\3 	4x
d47 	12x	k178 	4x
l2 	14x	n14\2 	1x
r99 	8x	r97 	8x
r100 	1x	z1   4mm	1x



1

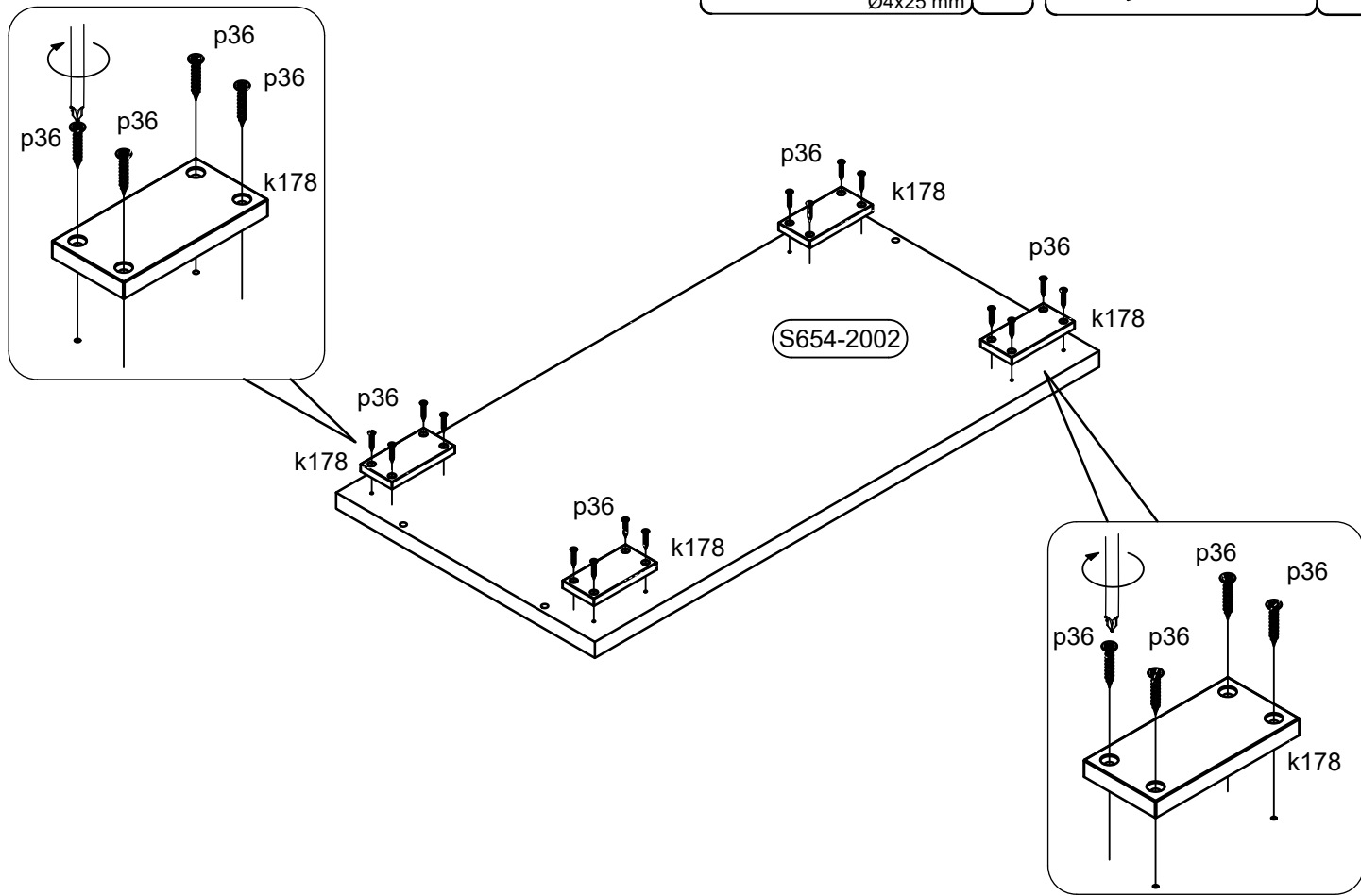


2 

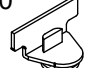
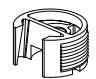


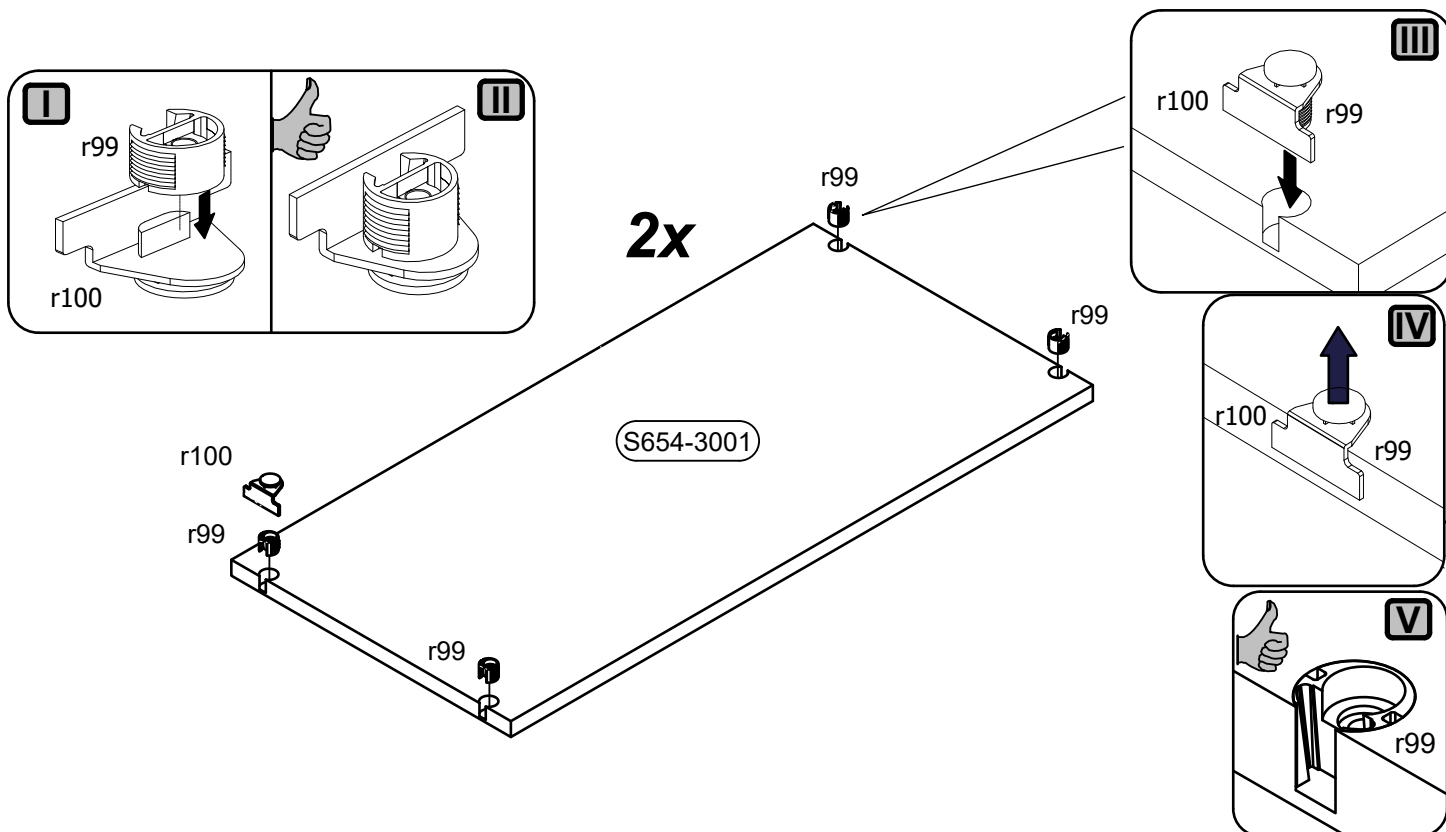
3 §2

p36  Ø4x25 mm	16x	k178 	4x
--	-----	---	----


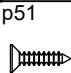


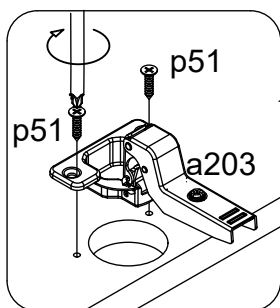
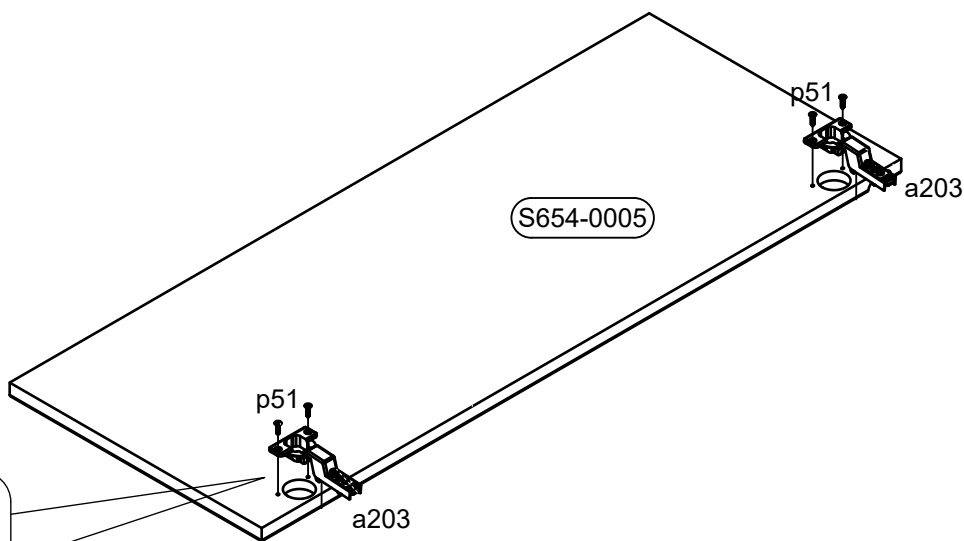
4 §2

r100 	1x	r99 	8x
---	----	--	----


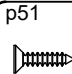


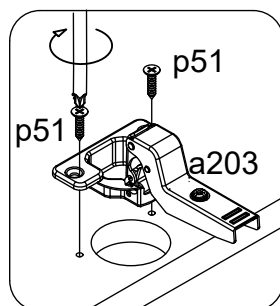
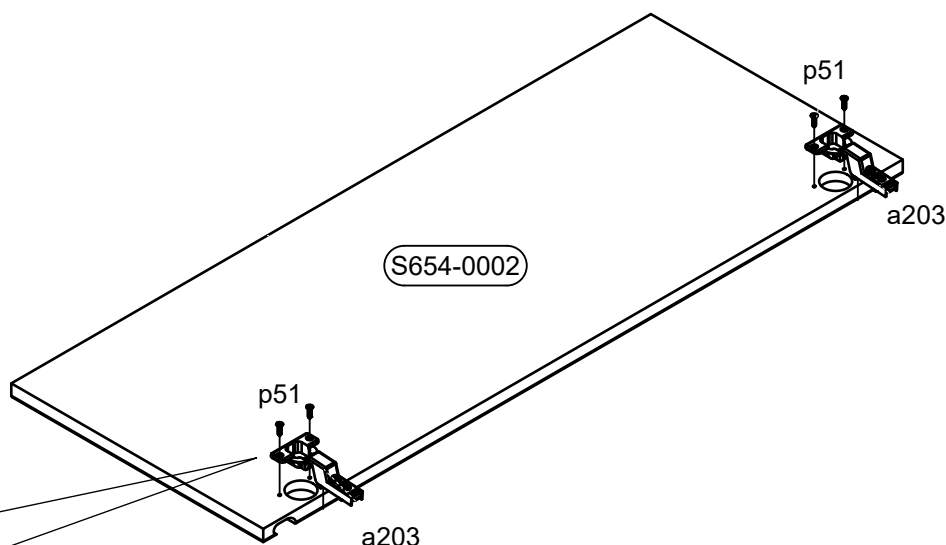
5 

 a203	2x	 p51 3.5x15mm	4x
---	----	---	----

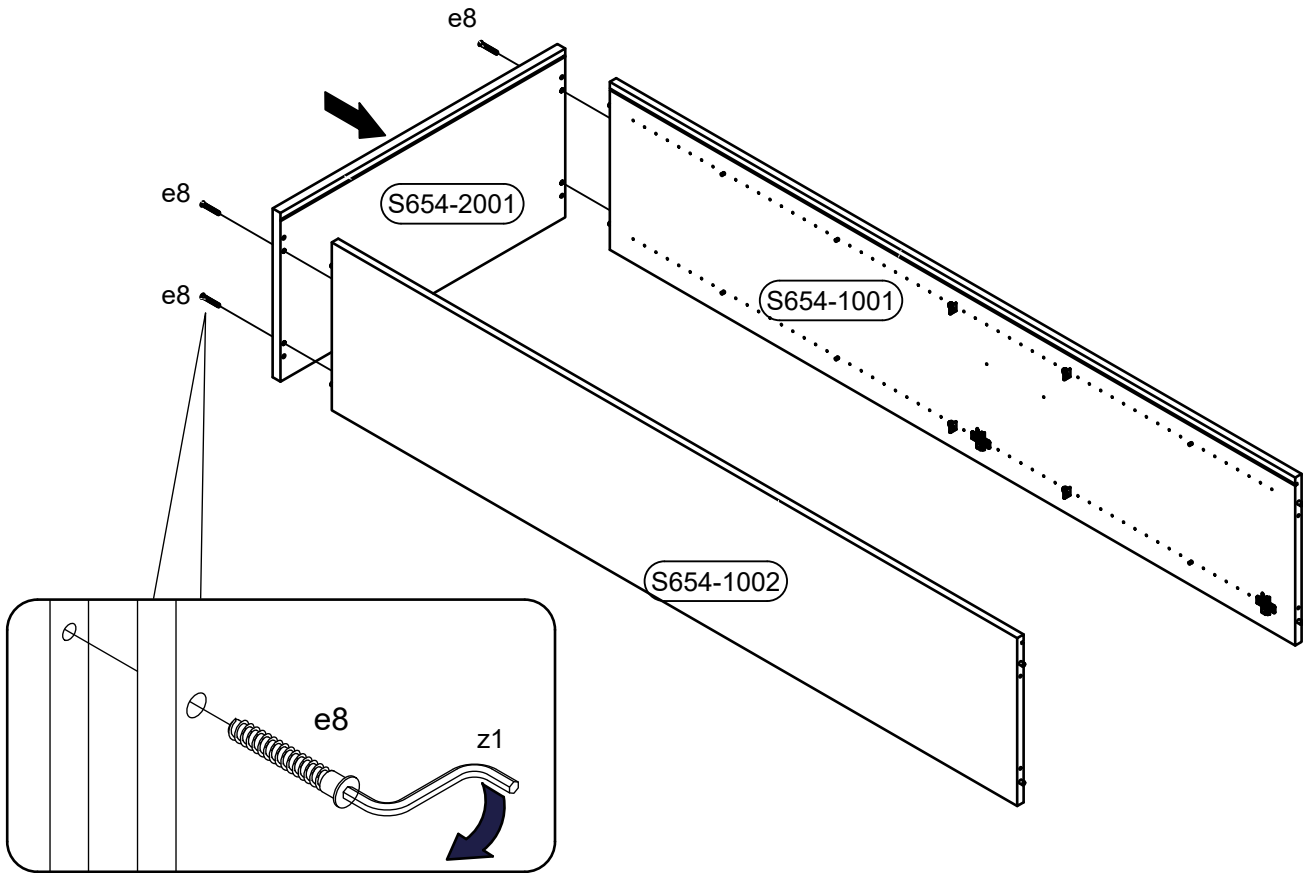
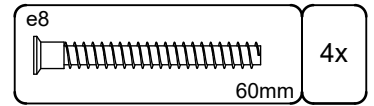


6 

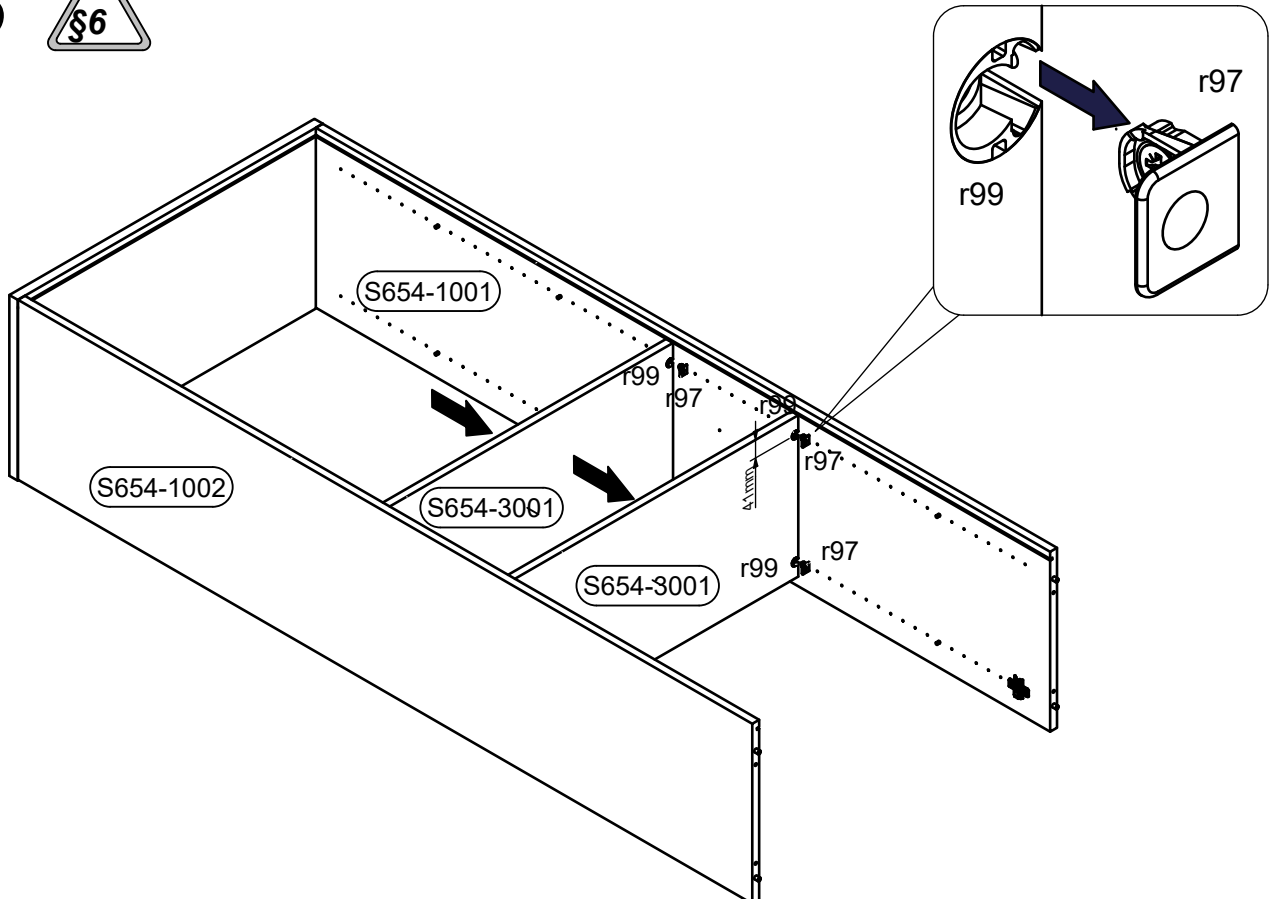
 a203	2x	 p51 3.5x15mm	4x
---	----	---	----



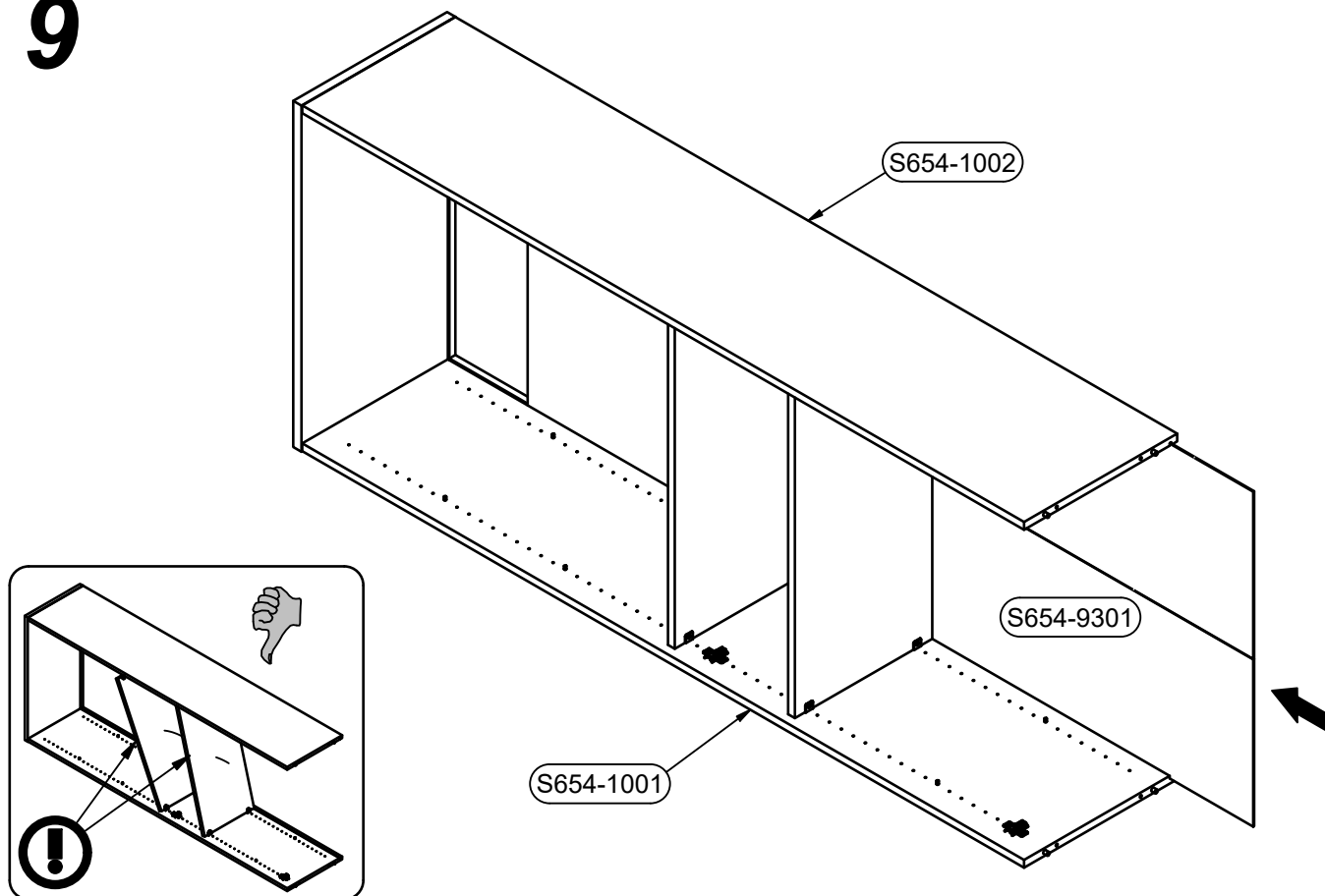
7 



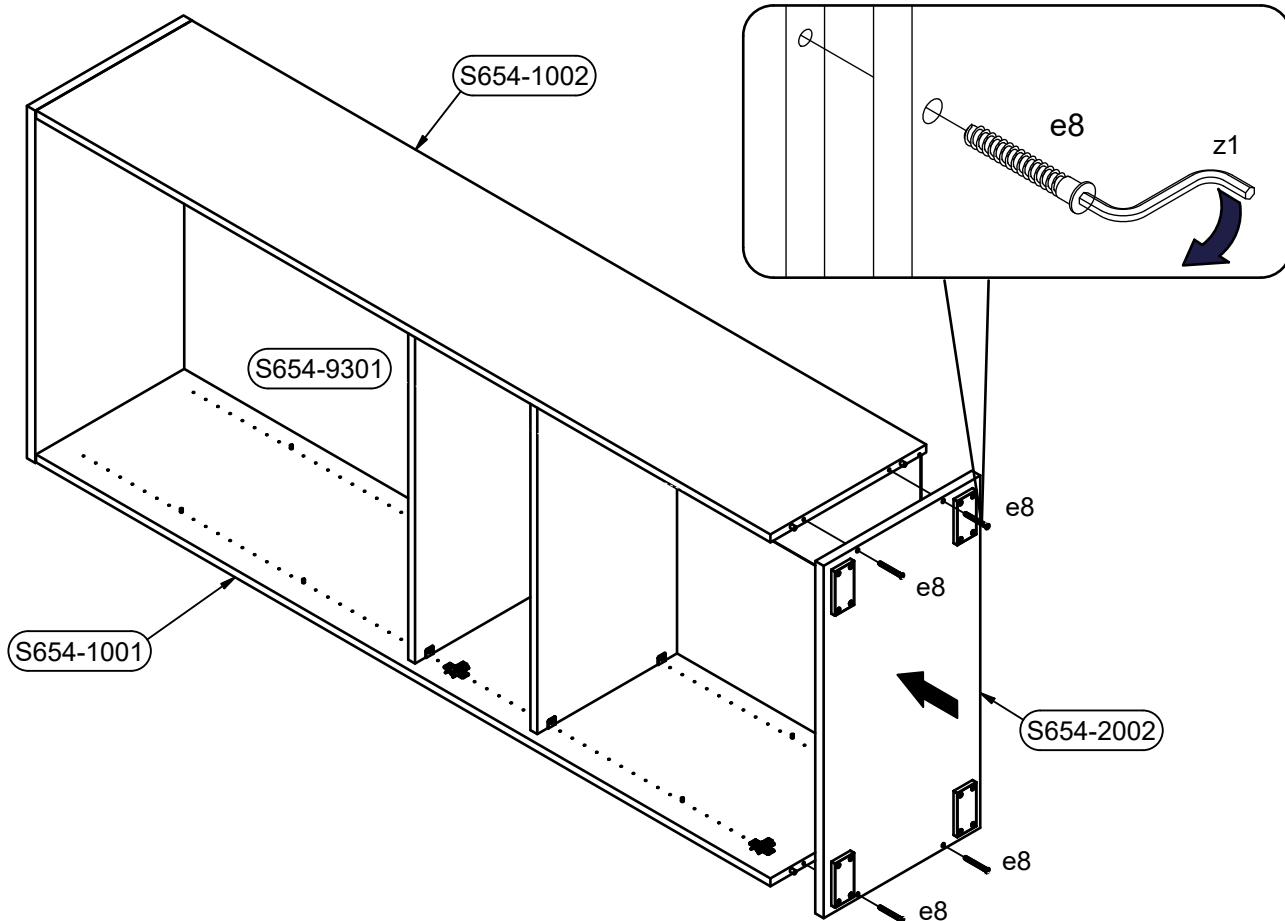
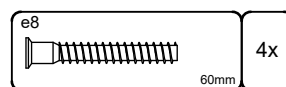
8 



9

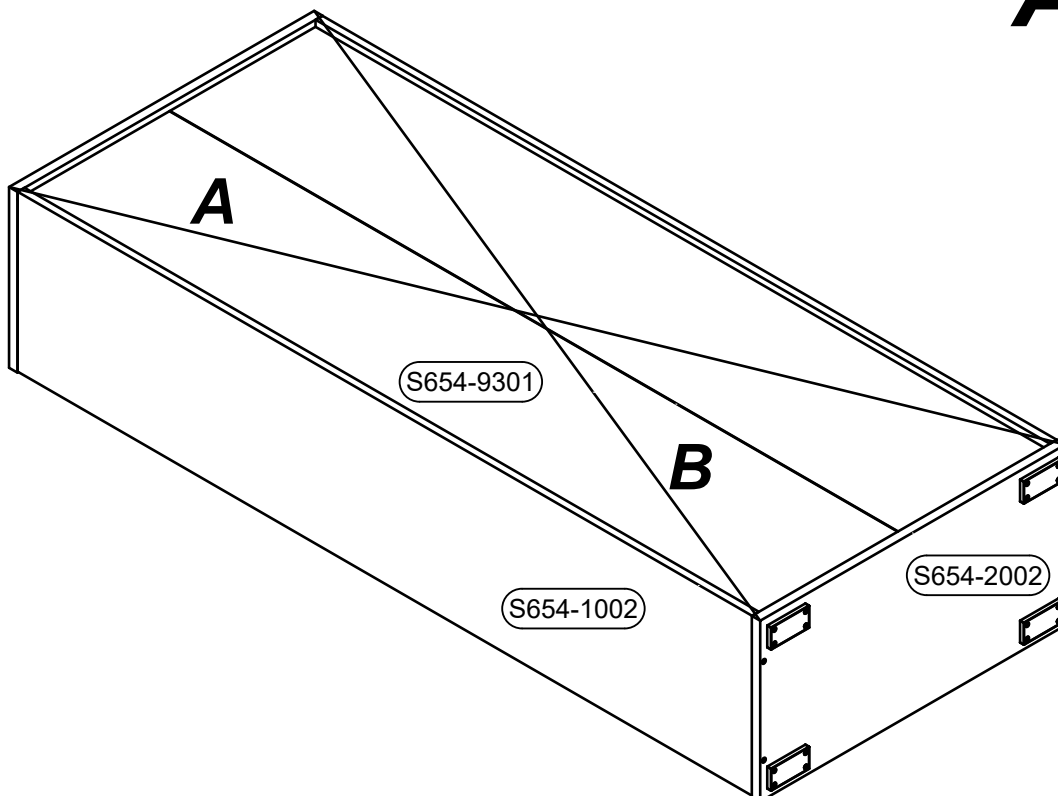


10



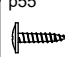

11

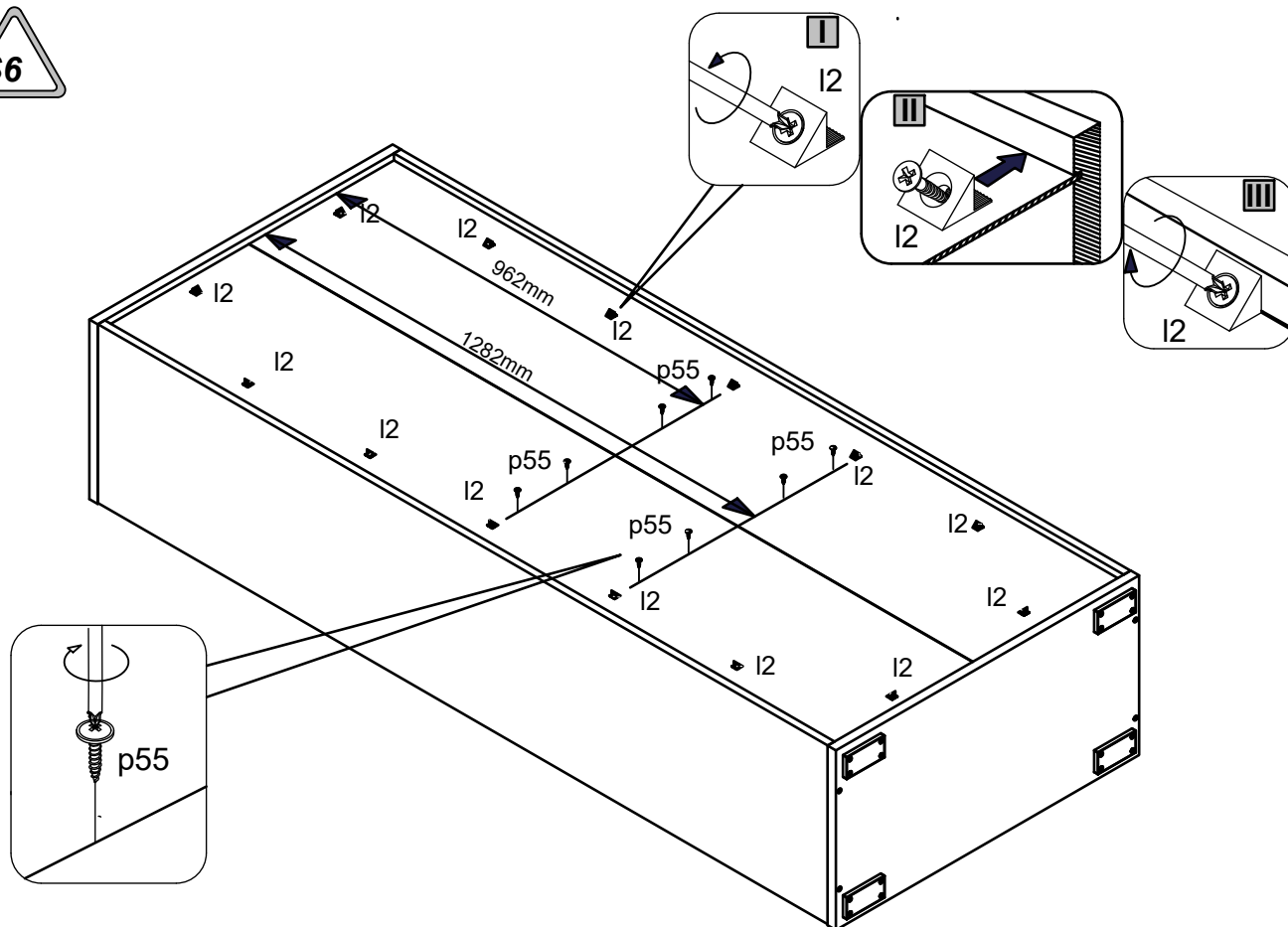
A=B



12



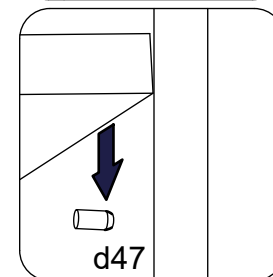
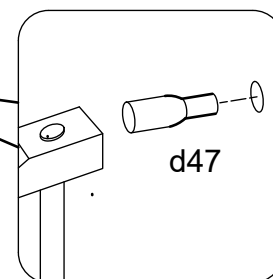
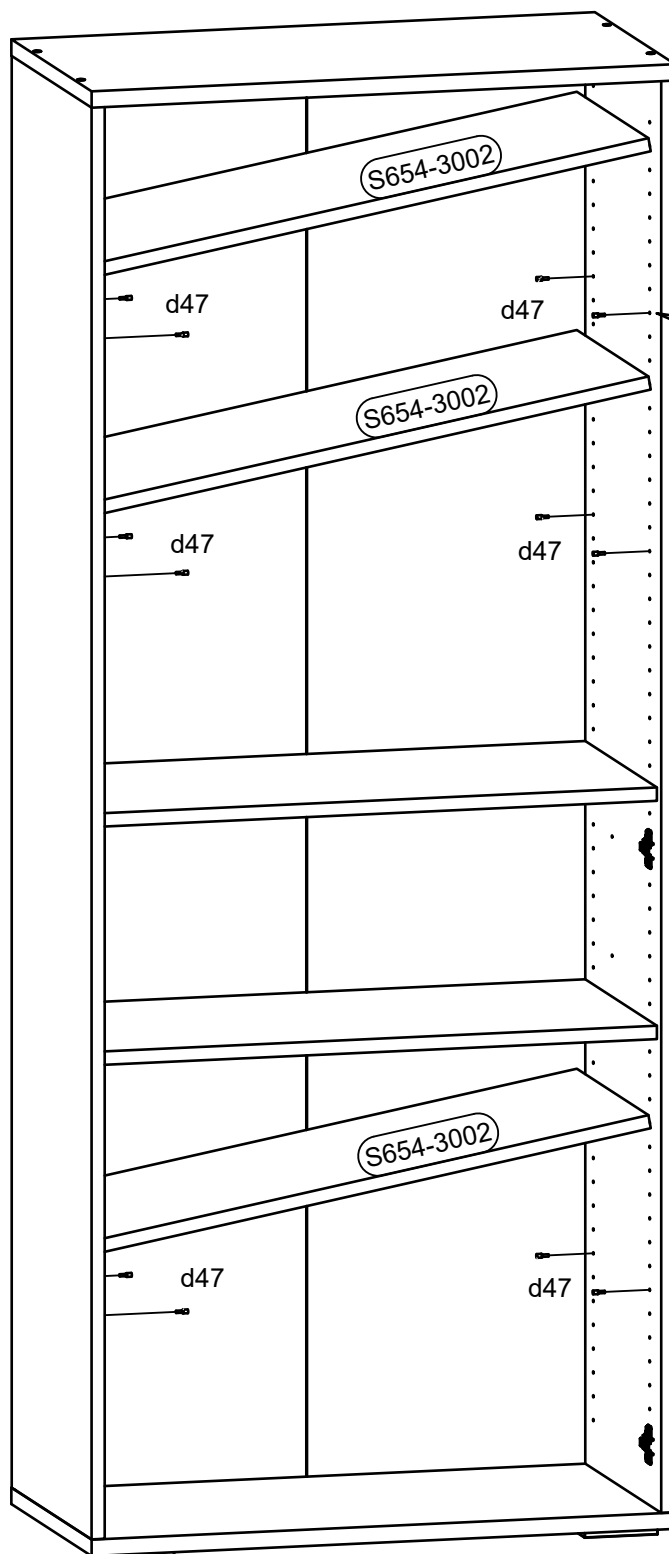
 p55	8x 2.8x16mm	 I2	14x
--	----------------	---	-----

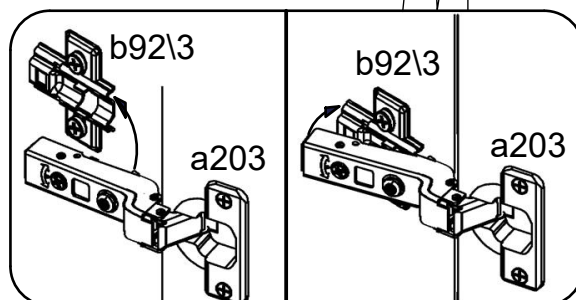
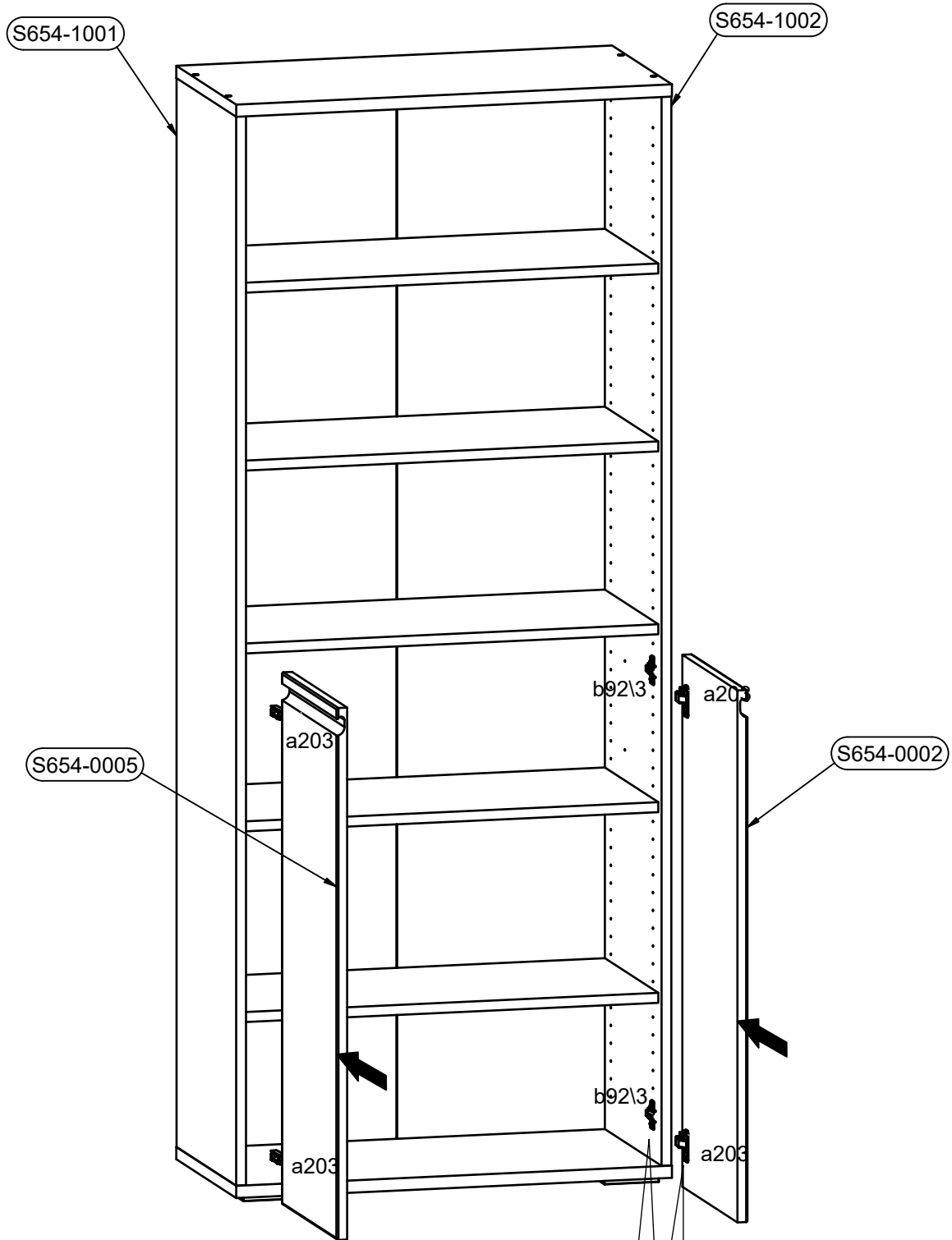


13

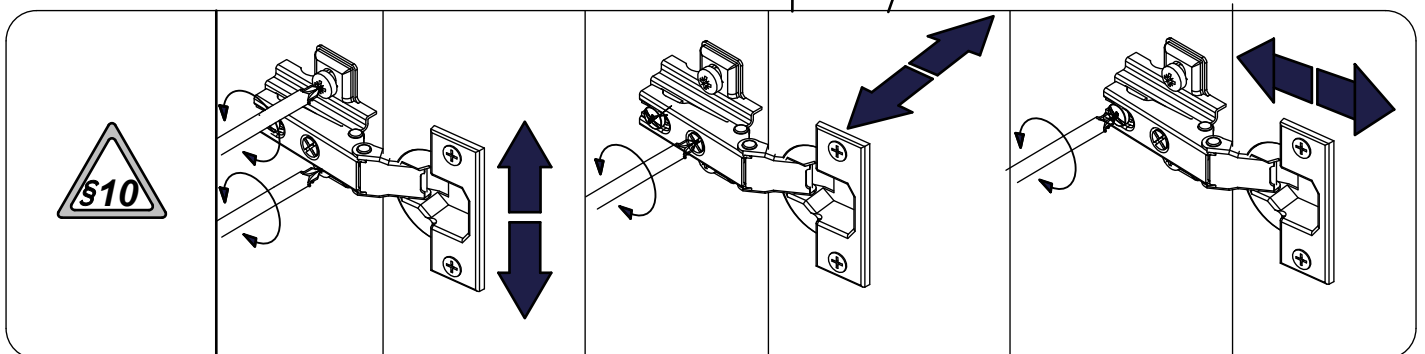
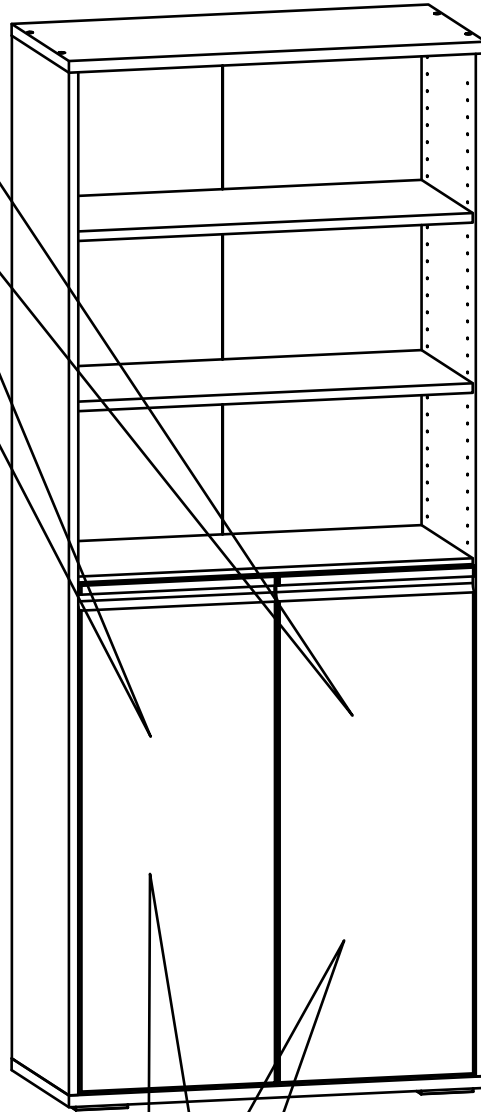
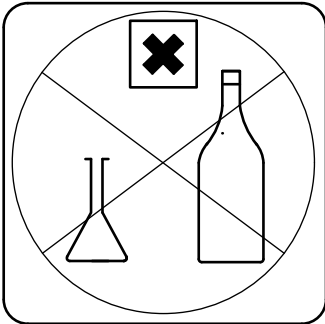
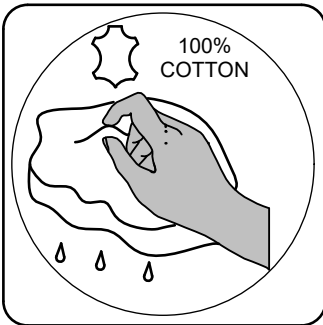
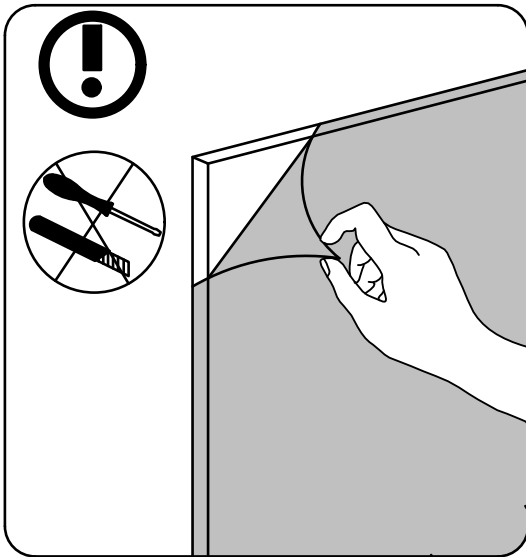


d47		12x
-----	--	-----





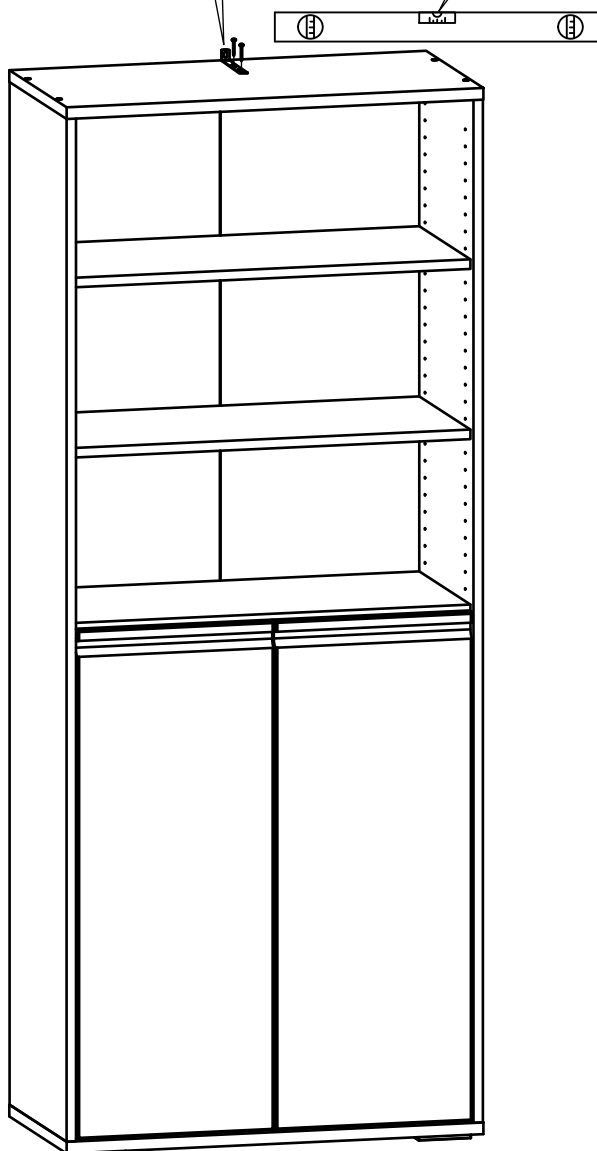
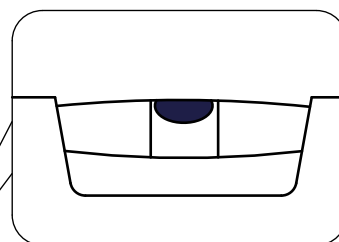
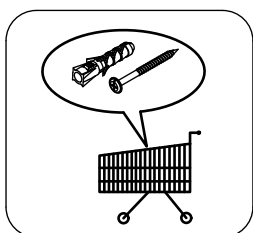
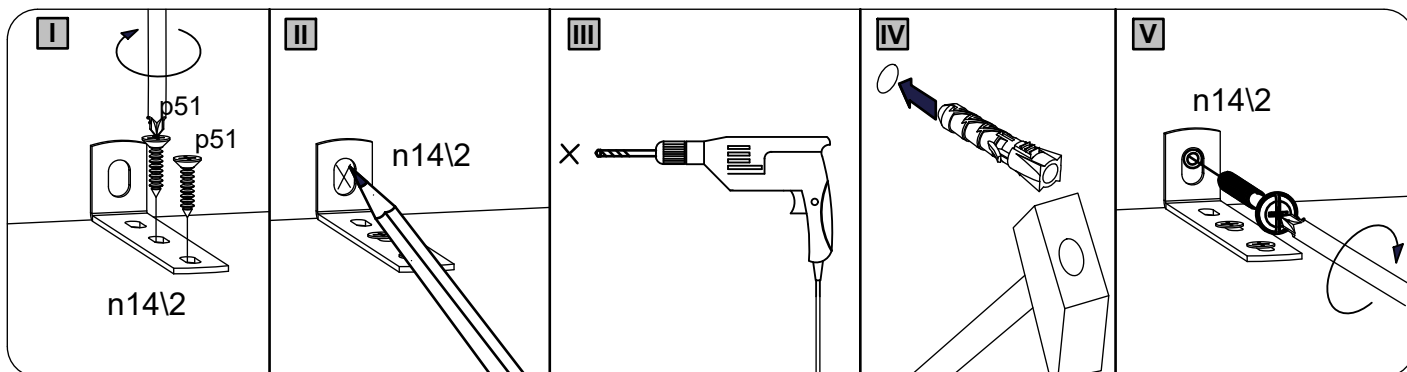
15





16



n14\2 	1x	p51 	2x 3.5x15mm
-----------	----	---------	----------------



j45\1  M4x12mm	4x	j45\2  fi5x23	2x
---	----	--	----

