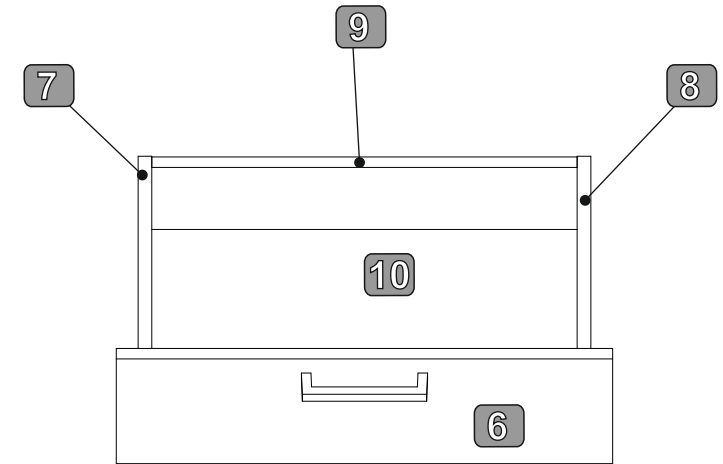
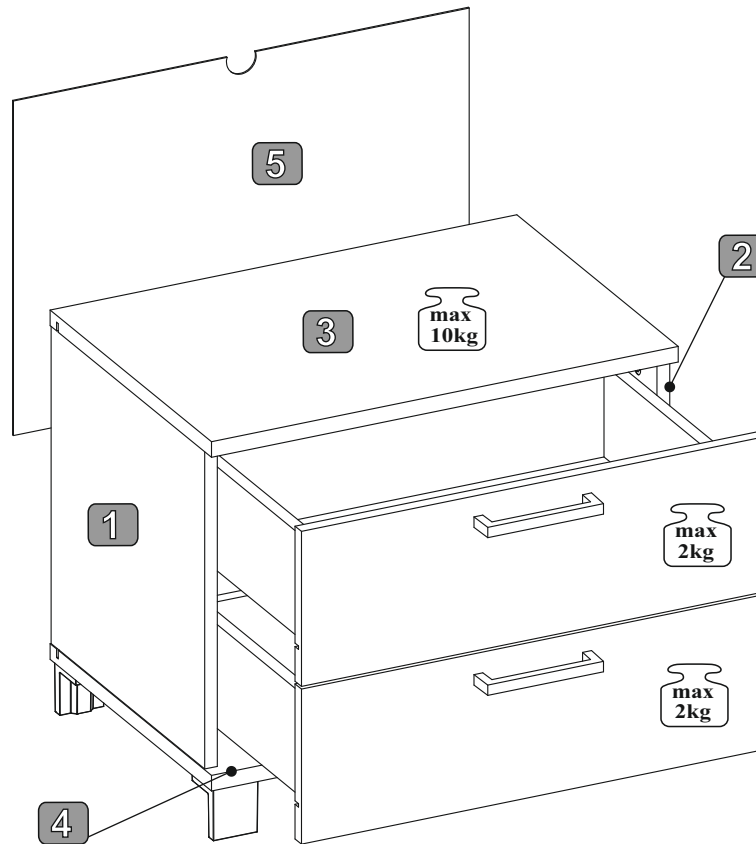


NR	DIM	QTE	COLLI
1	367x362x15	1	1/1
2	367x362x15	1	1/1
3	550x380x18	1	1/1
4	550x380x18	1	1/1
5	537x386x2	1	1/1
6	545x179x15	2	1/1
7	300x120x15	2	1/1
8	300x120x15	2	1/1
9	467x120x15	2	1/1
10	478x297x2	2	1/1

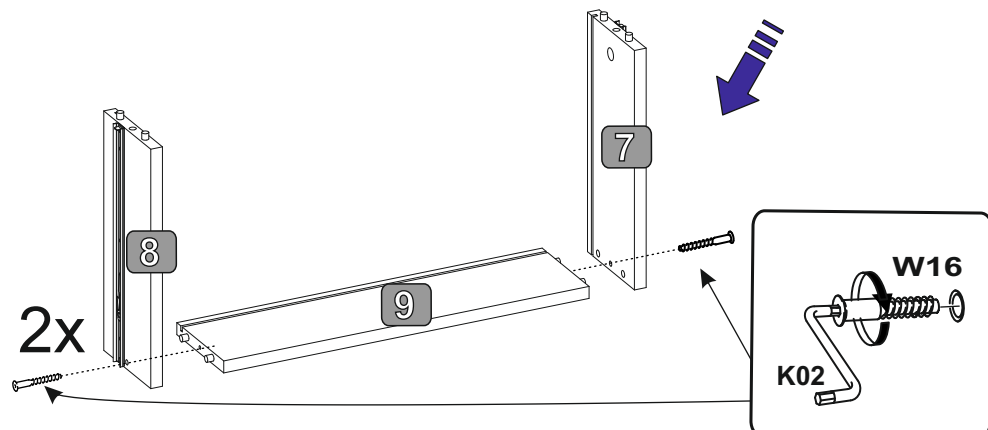
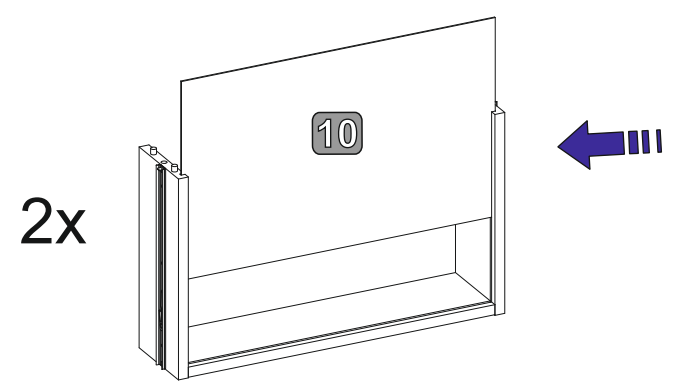
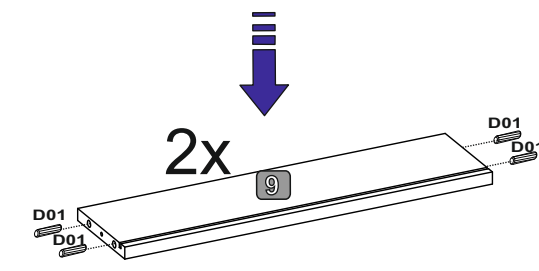
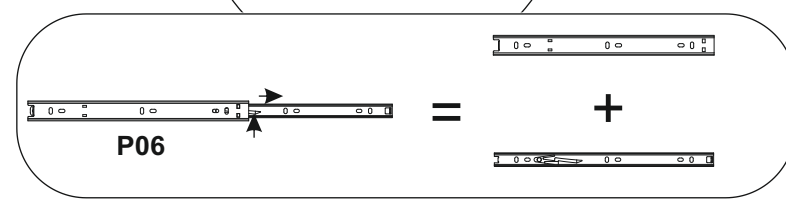
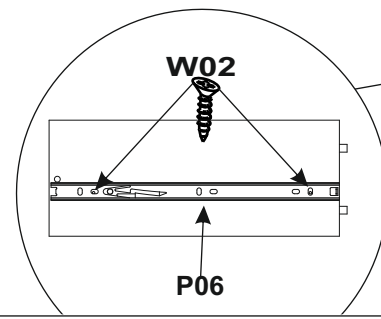
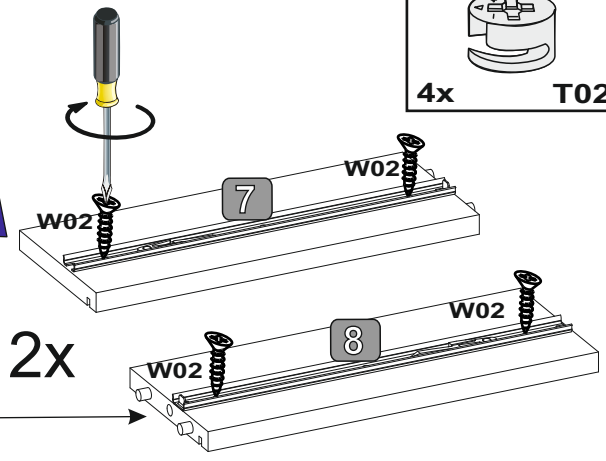
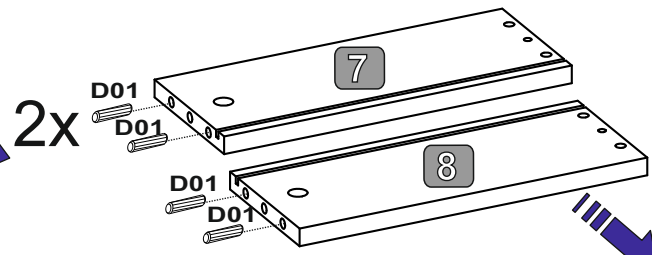
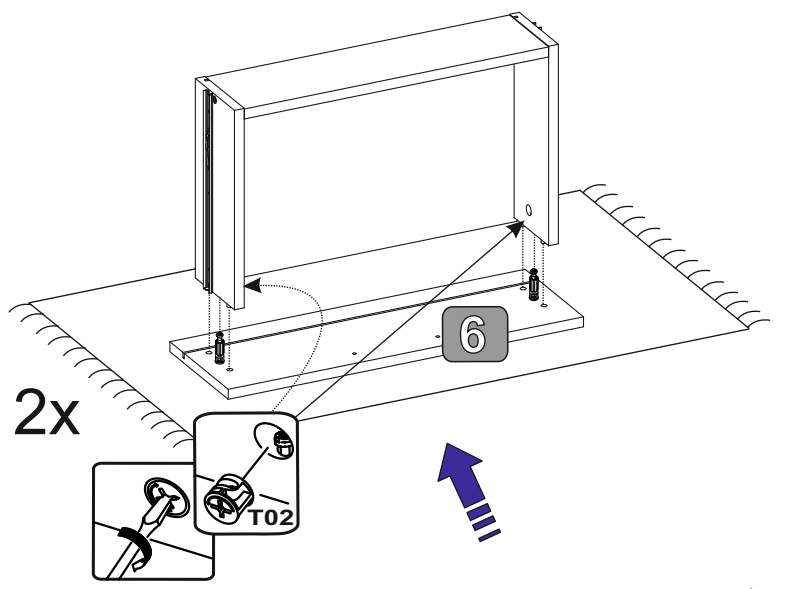
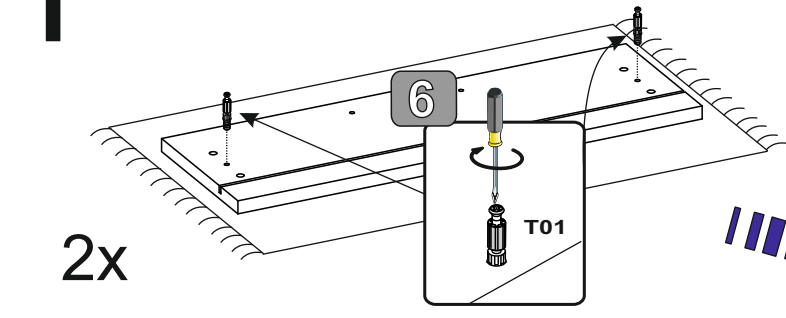


0 10 20 30 40 50 60 70 80 90 100 110 120 130 140 150 160 170 180 190 200

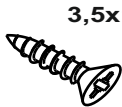

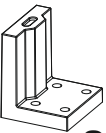
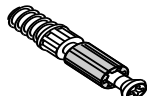
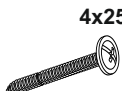
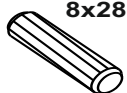


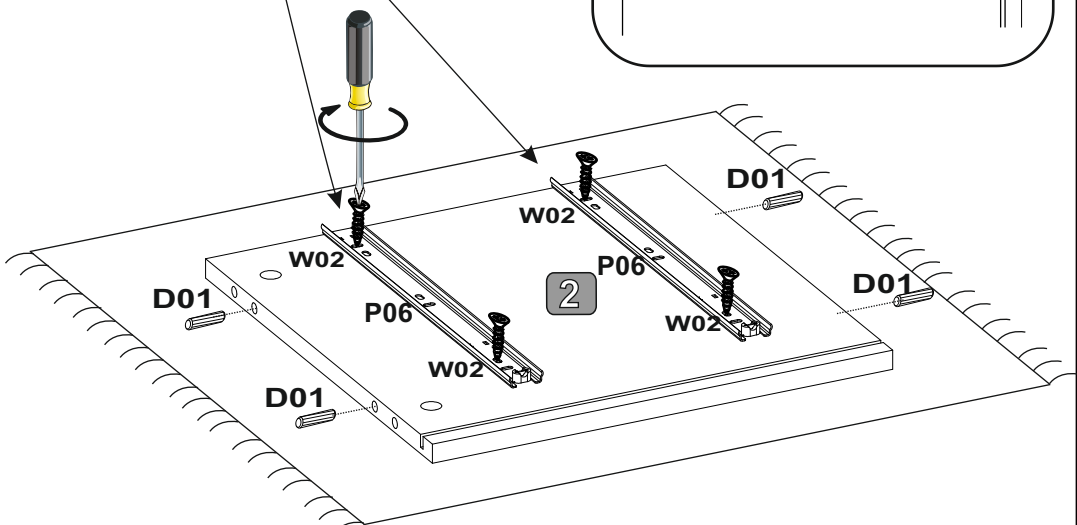
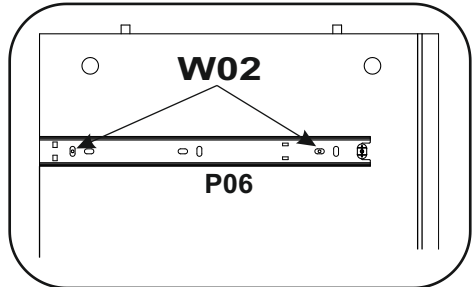
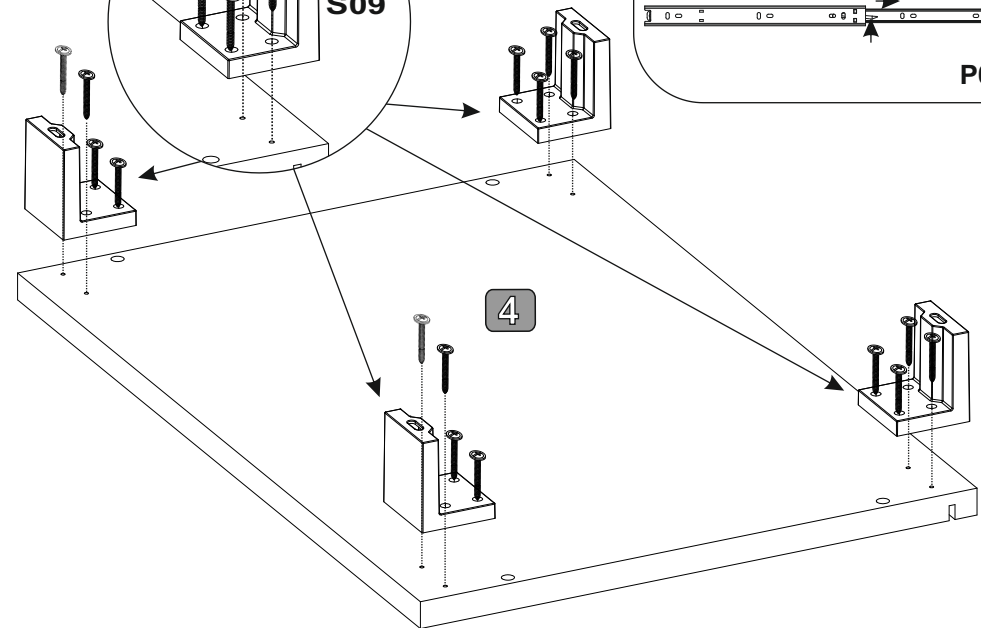
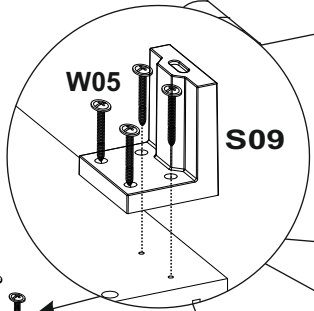
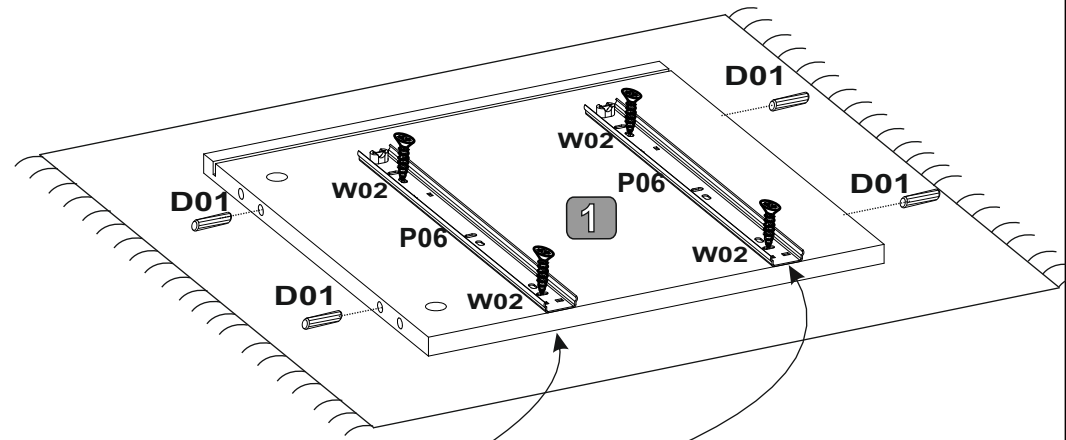
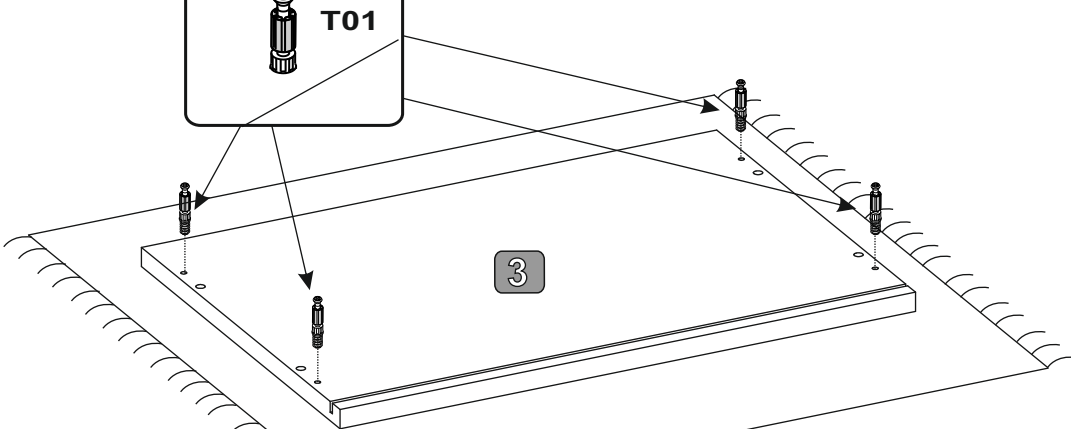
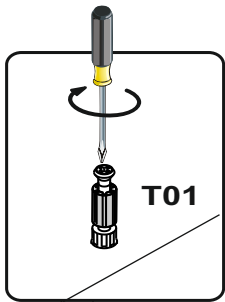
1

4x T01	1x K02	4x P06	16x D01	8x W02	4x W16
					15x12 4x T02

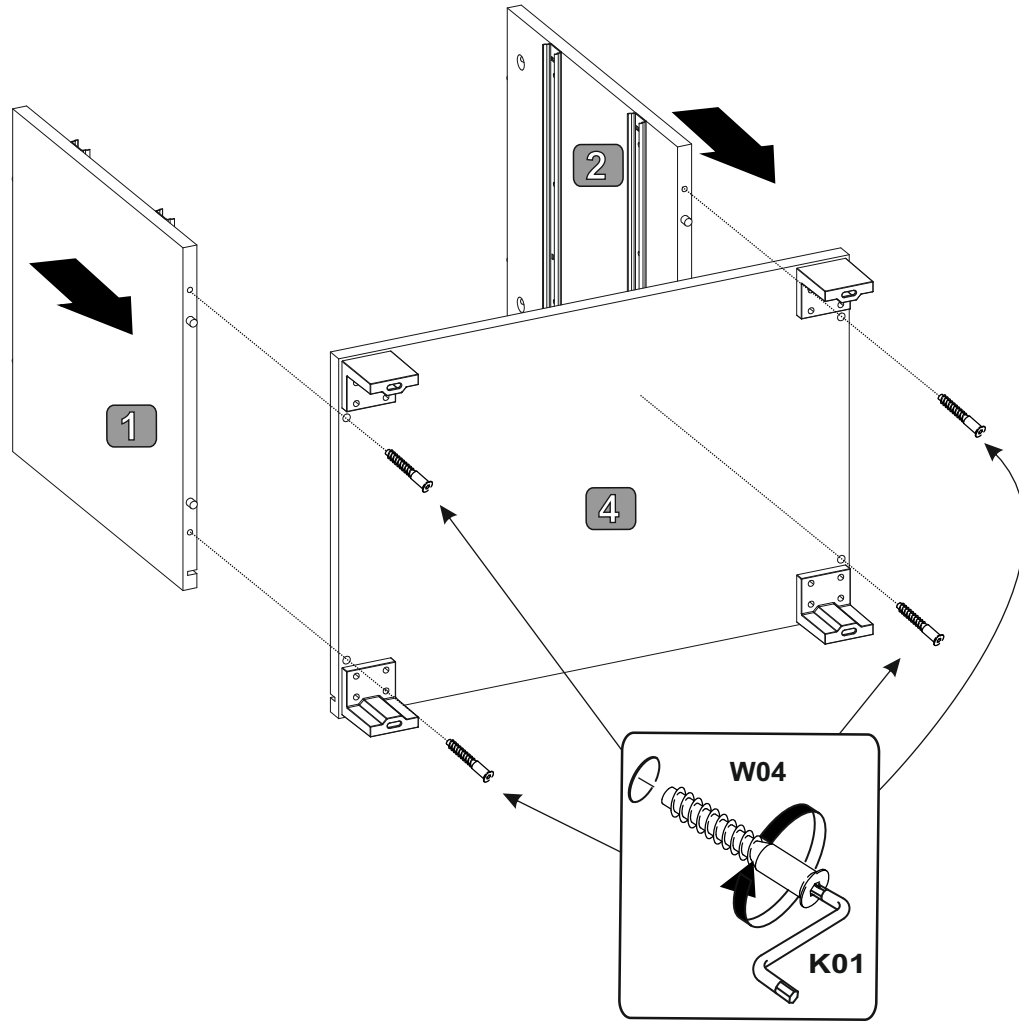
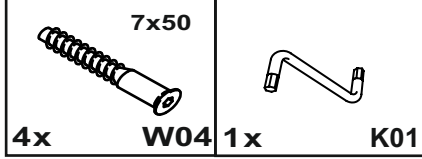


2

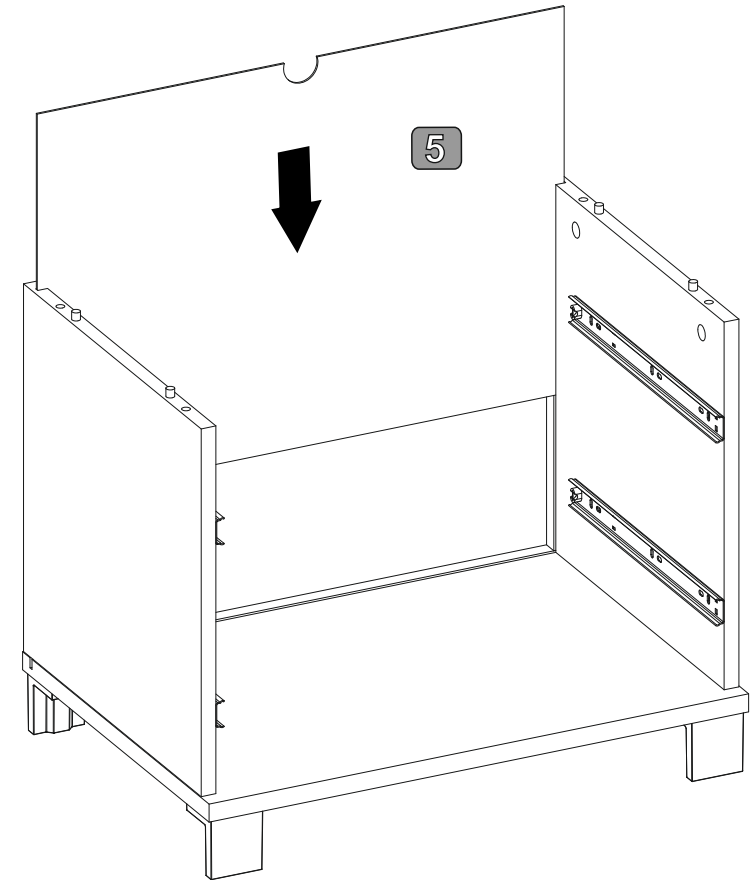
 3,5x13 8x W02	 P06 4x	 S09 4x	 T01 4x	 4x25 16x W05	 8x28 8x D01
---	--	---	--	--	---



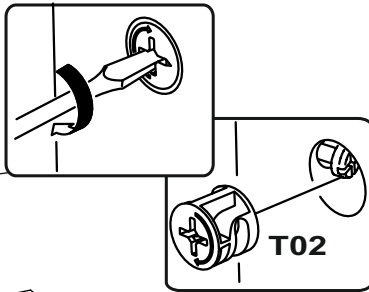
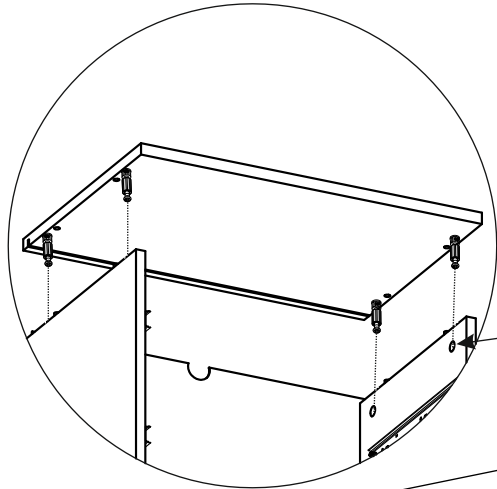
3



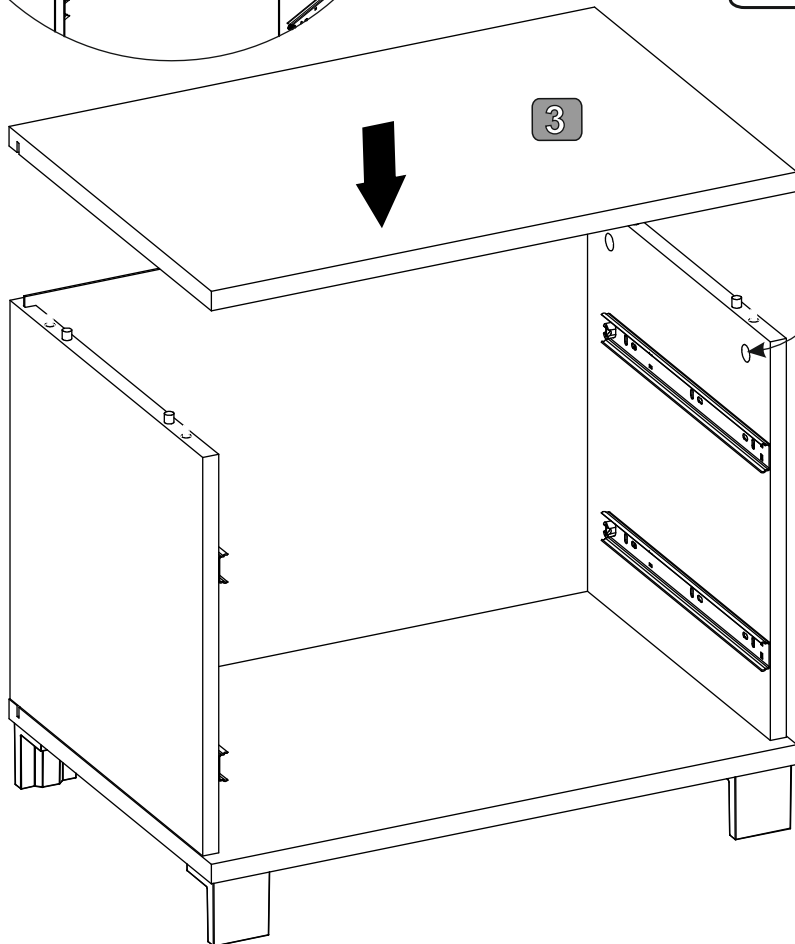
4



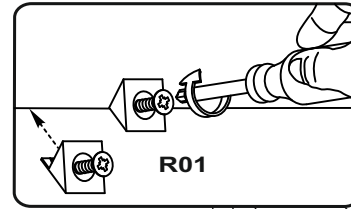
5



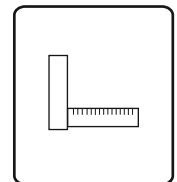
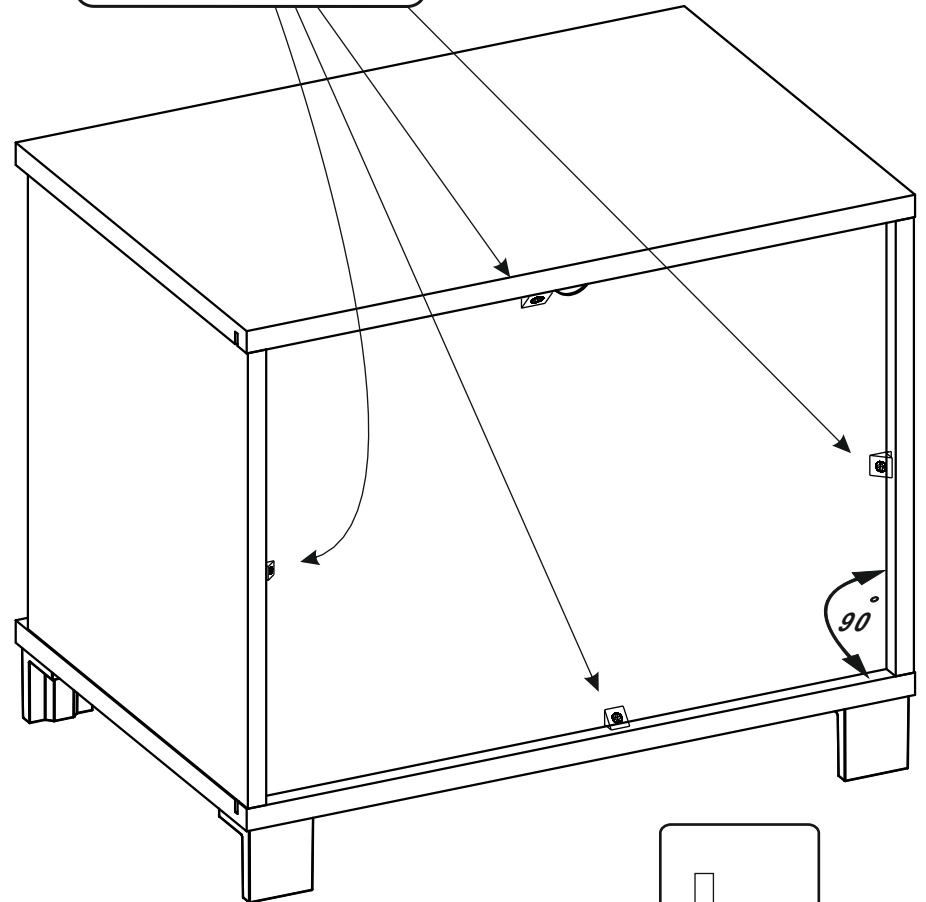
15x12
4x T02



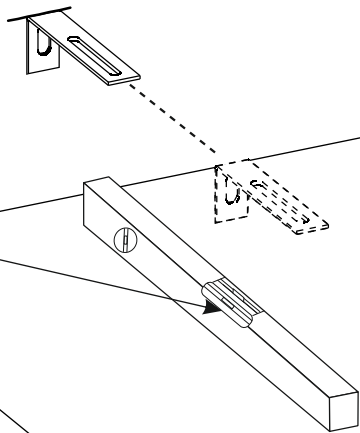
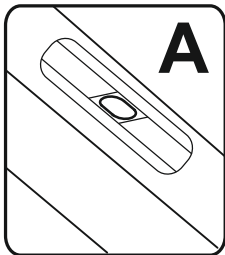
6

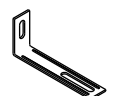





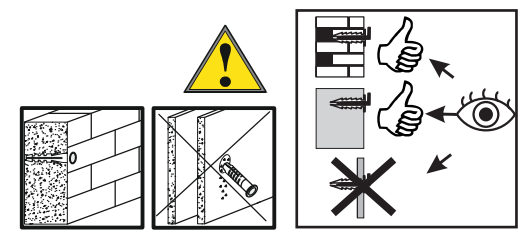
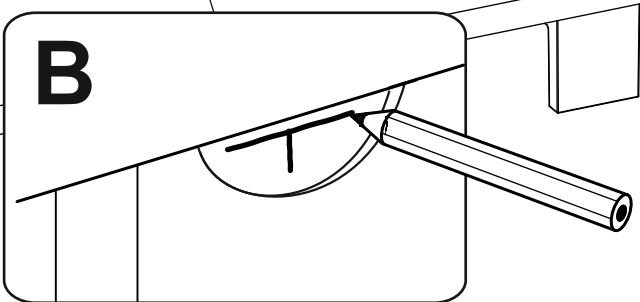
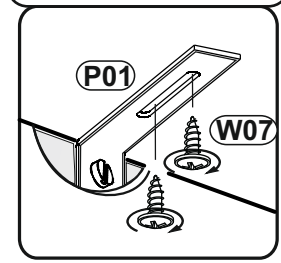
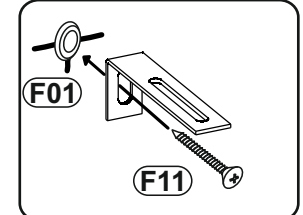
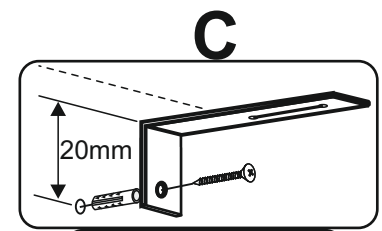
4x R01




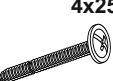
7



 1 x P01	 2 x W07	 1 x F01	 1 x F11
--	--	--	--



8

	
2x	4x
U33	W05

