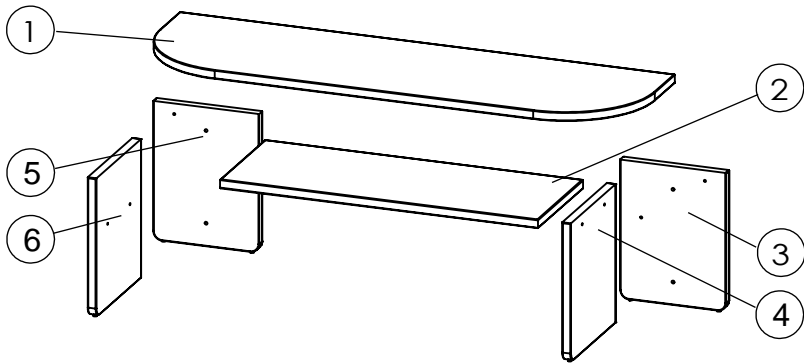
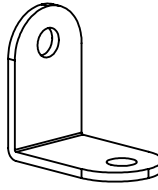


Assembly Instruction

20096-121



AX12



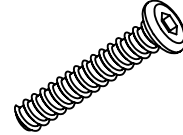
B X24
M6X16mm



CX24



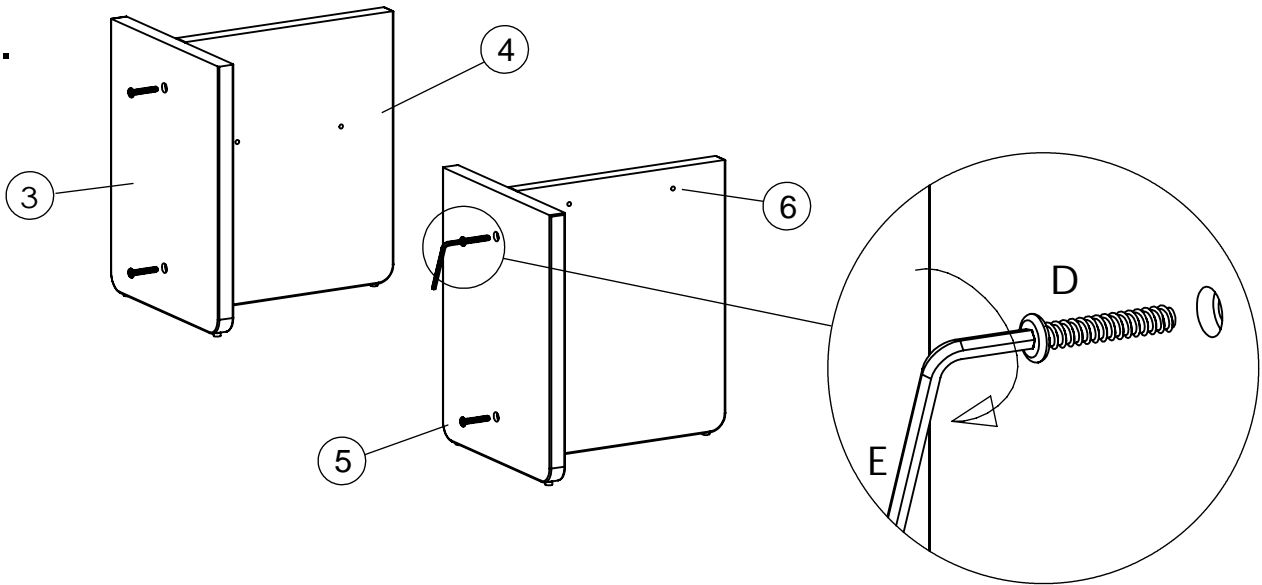
DX4
M6X45mm



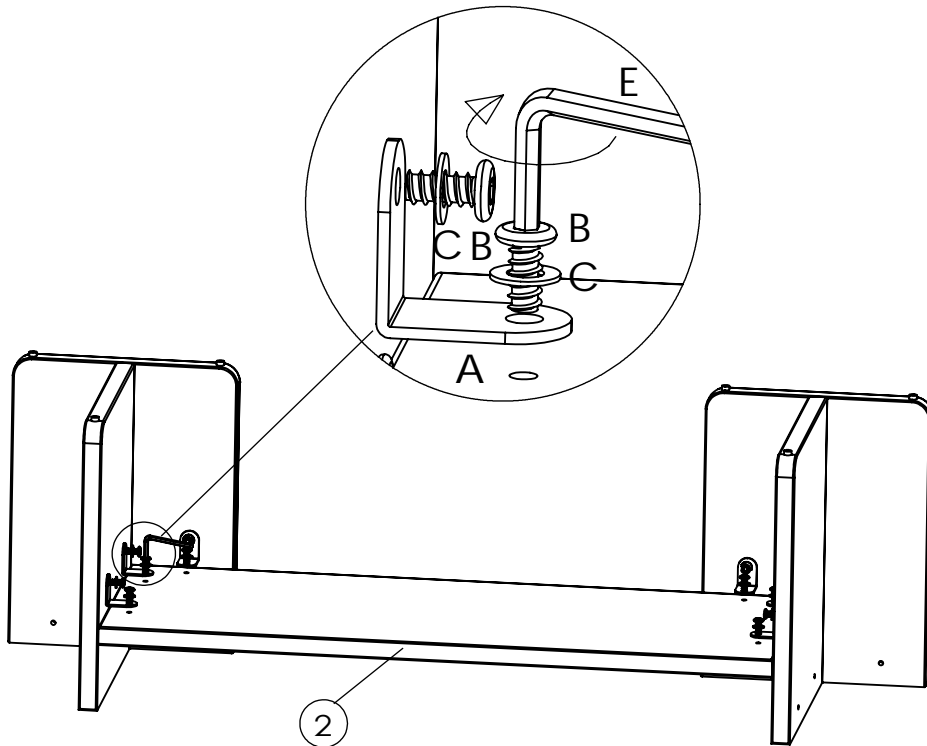
EX1



1.



2.



Assembly Instruction

20096-121

3.

