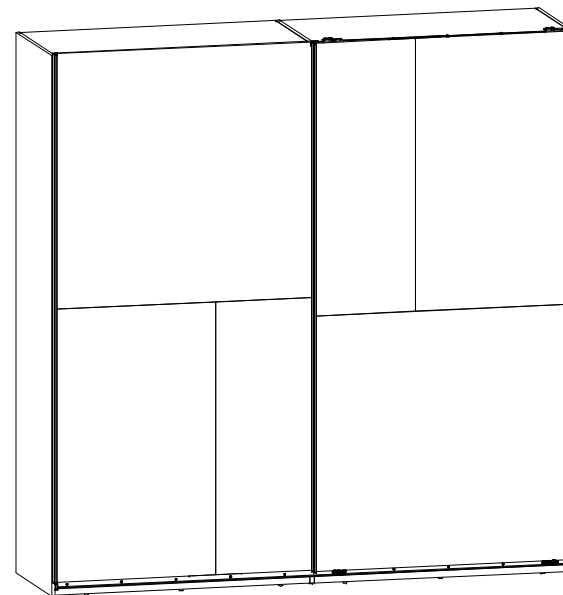
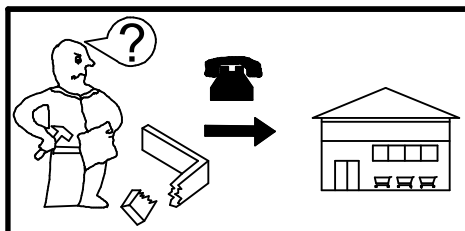
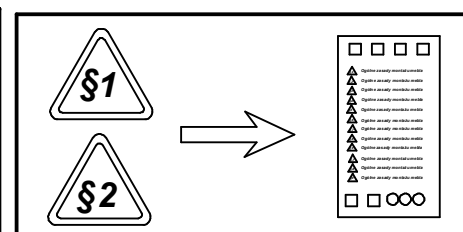
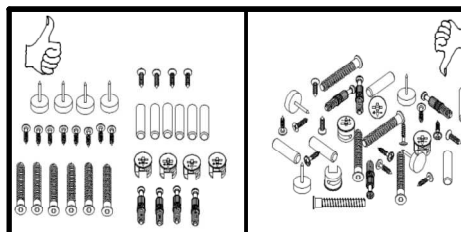
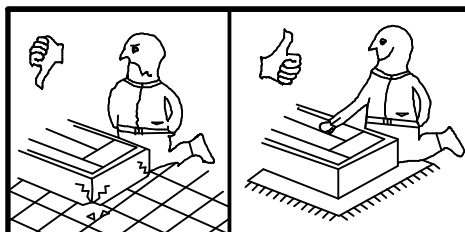
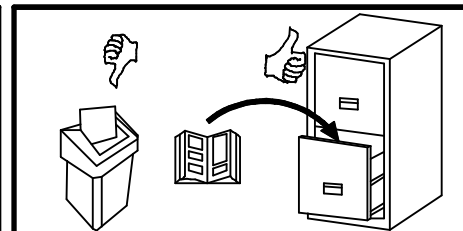
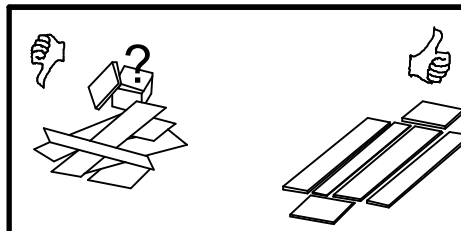
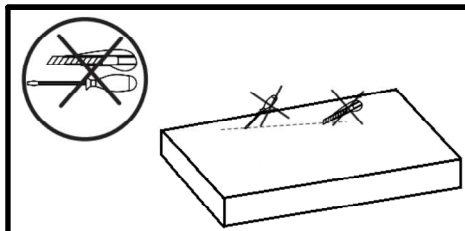
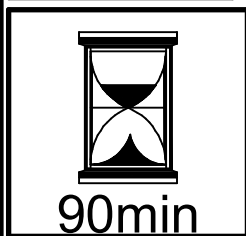
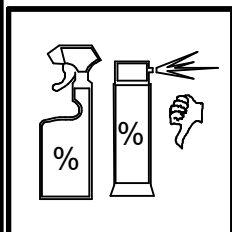
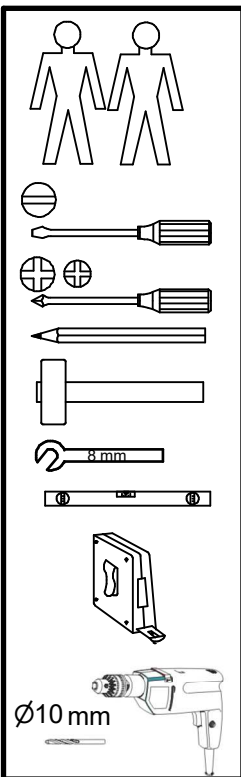
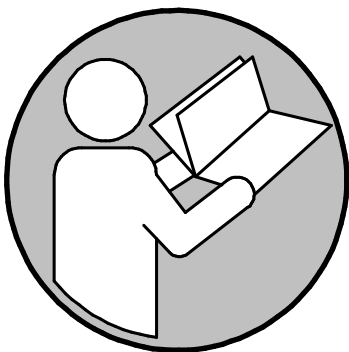


A

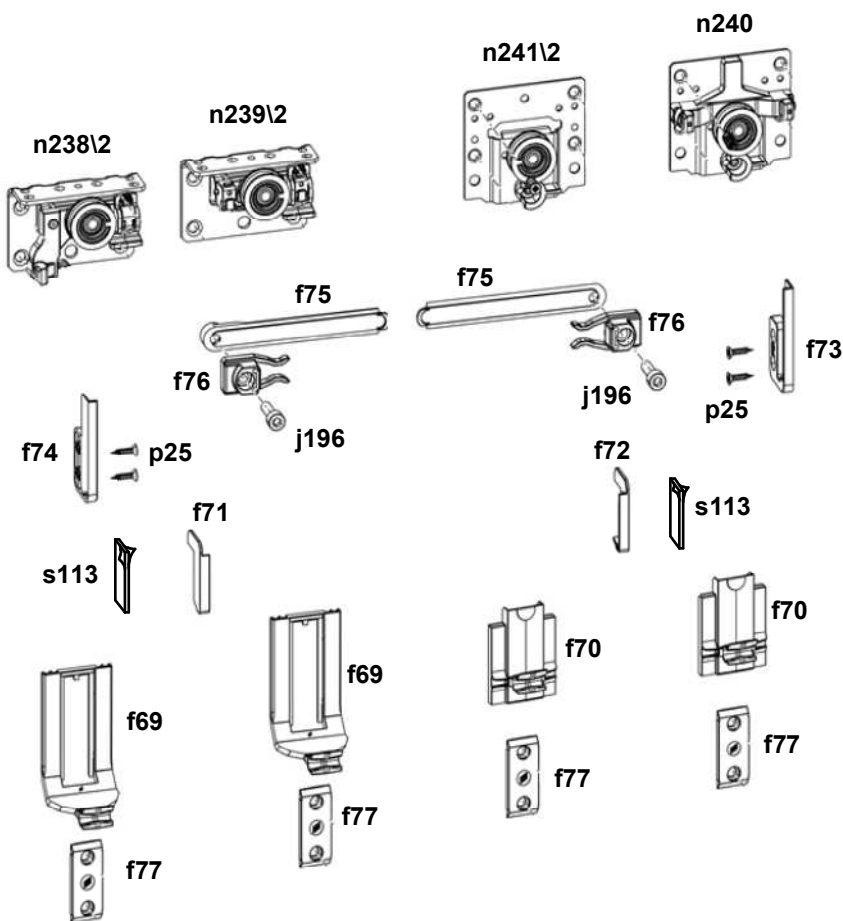
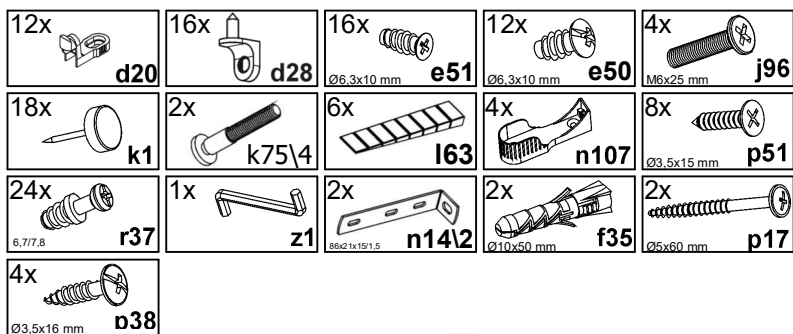
F83-SZF2D

24270093/01

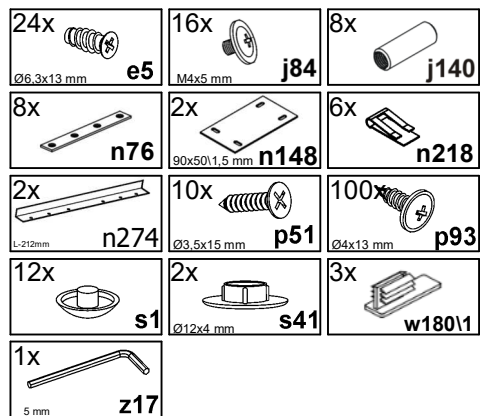
1 / 24



A1

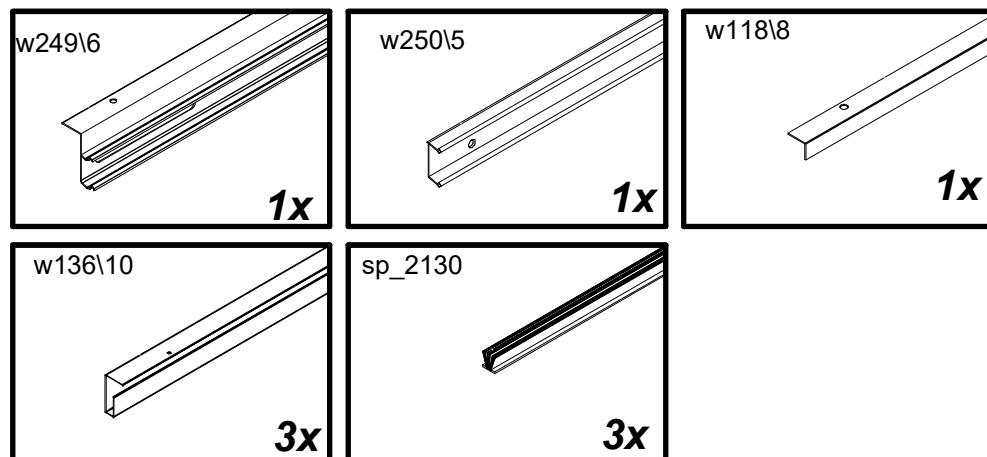


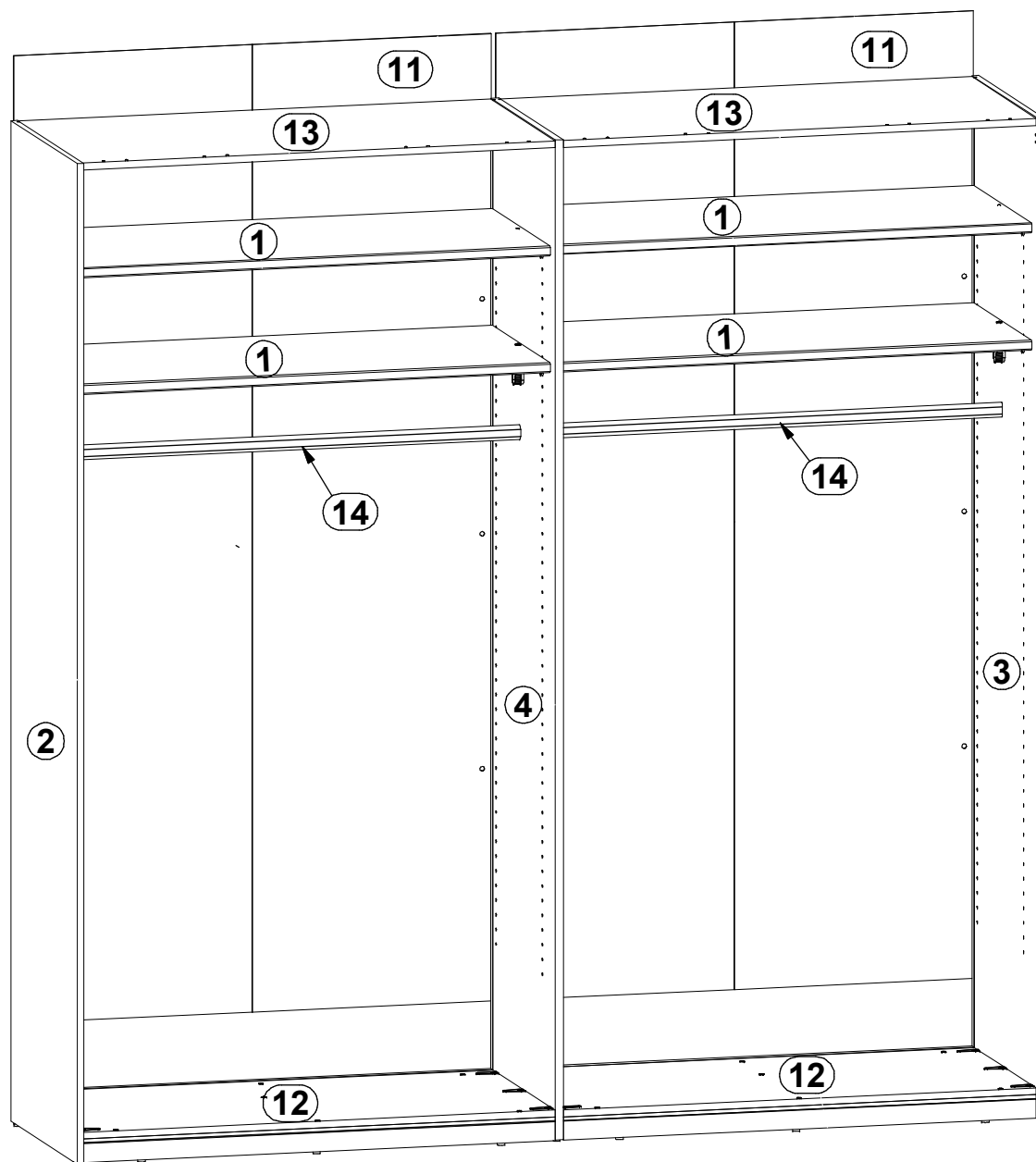
A2

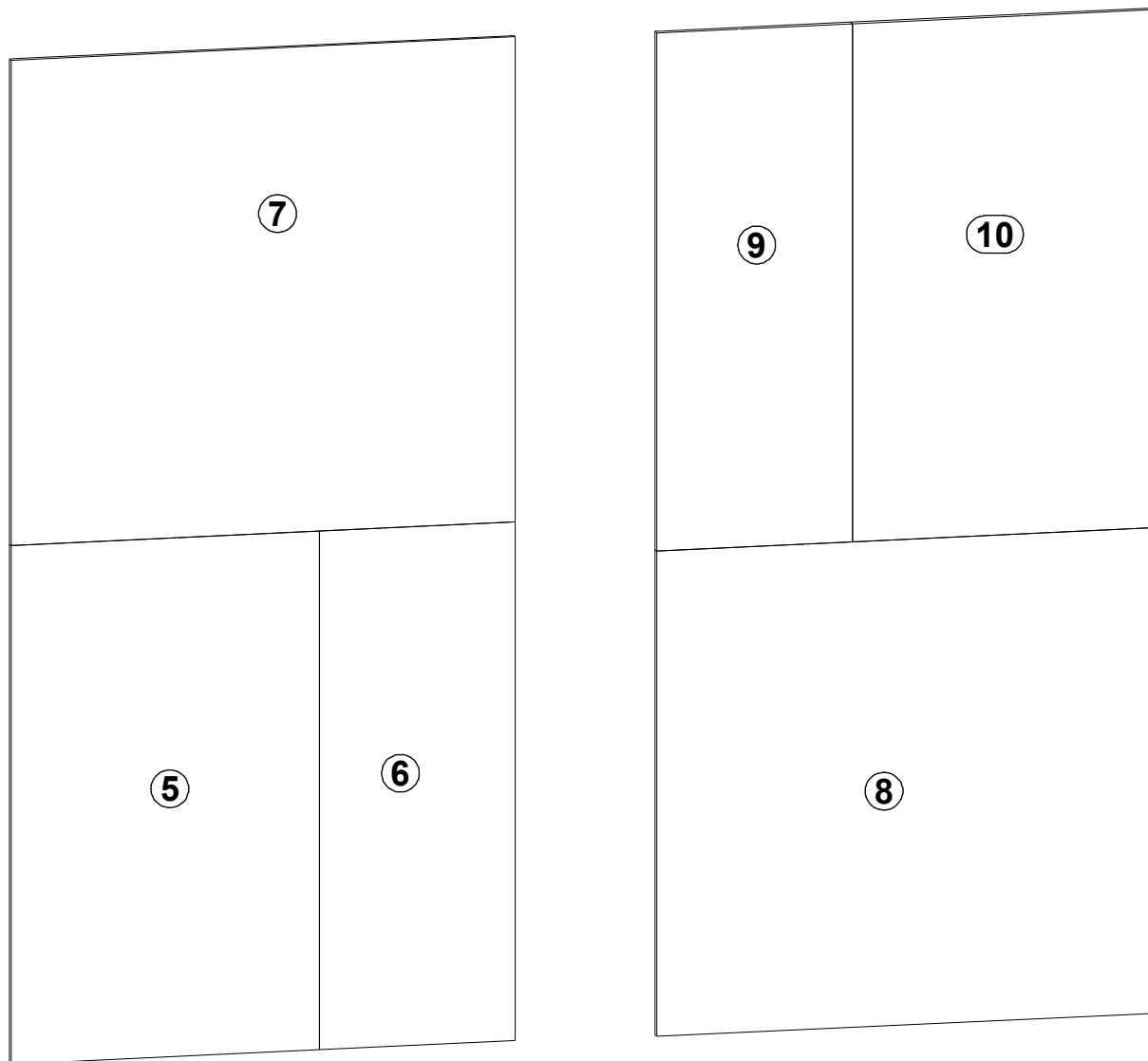


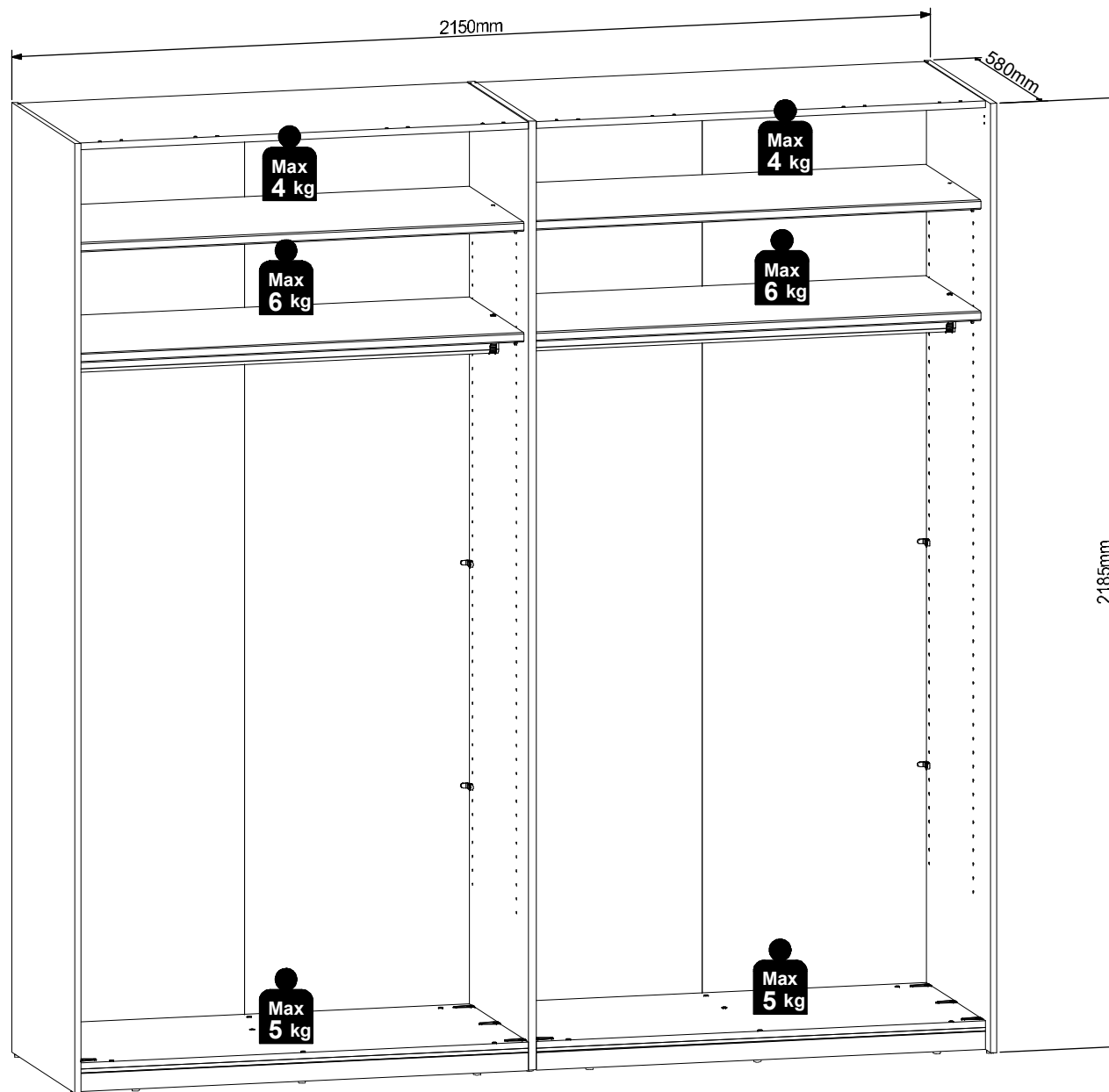
A	B1	B2	C1	C2	C3	D
1	F62-3012	-5	1051	480	22	4/8,5/8
2	F83-1001	-2	2180	551	15	2/8
3	F83-1002	-2	2180	580	15	3/8
4	F83-1003	-2	2179	535	18	2/8
5	F83-7001	-2	1100	667	16	8/8
6	F83-7002	-3	423	1100	16	8/8
7	F83-7003	-2	1090	1030	16	7/8
8	F83-7004	-2	1090	1030	16	7/8
9	F83-7005	-3	423	1100	16	8/8
10	F83-7006	-2	1100	667	16	8/8
11	F83-9301	-1	2108	1061	2,5	3/8
12	F83-Z001	-1	1051	535	67	1/8
13	F83-Z002	-1	1051	535	16	4/8,5/8
14	dr-1038	-	1038	30	15	1/8

A3(6/8)



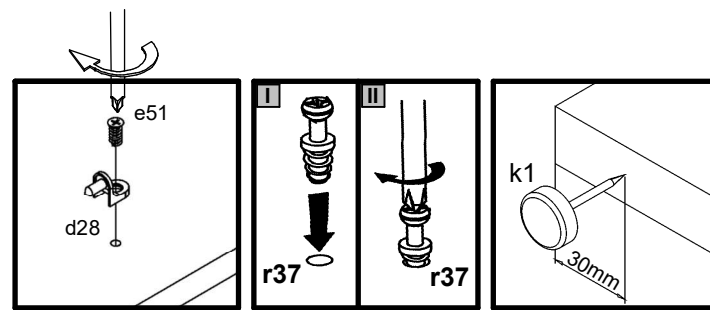
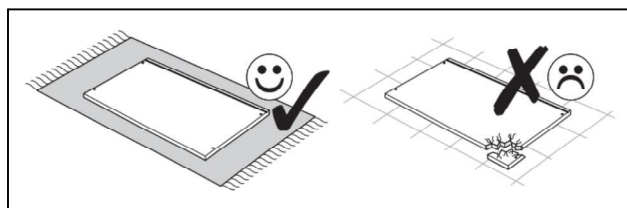
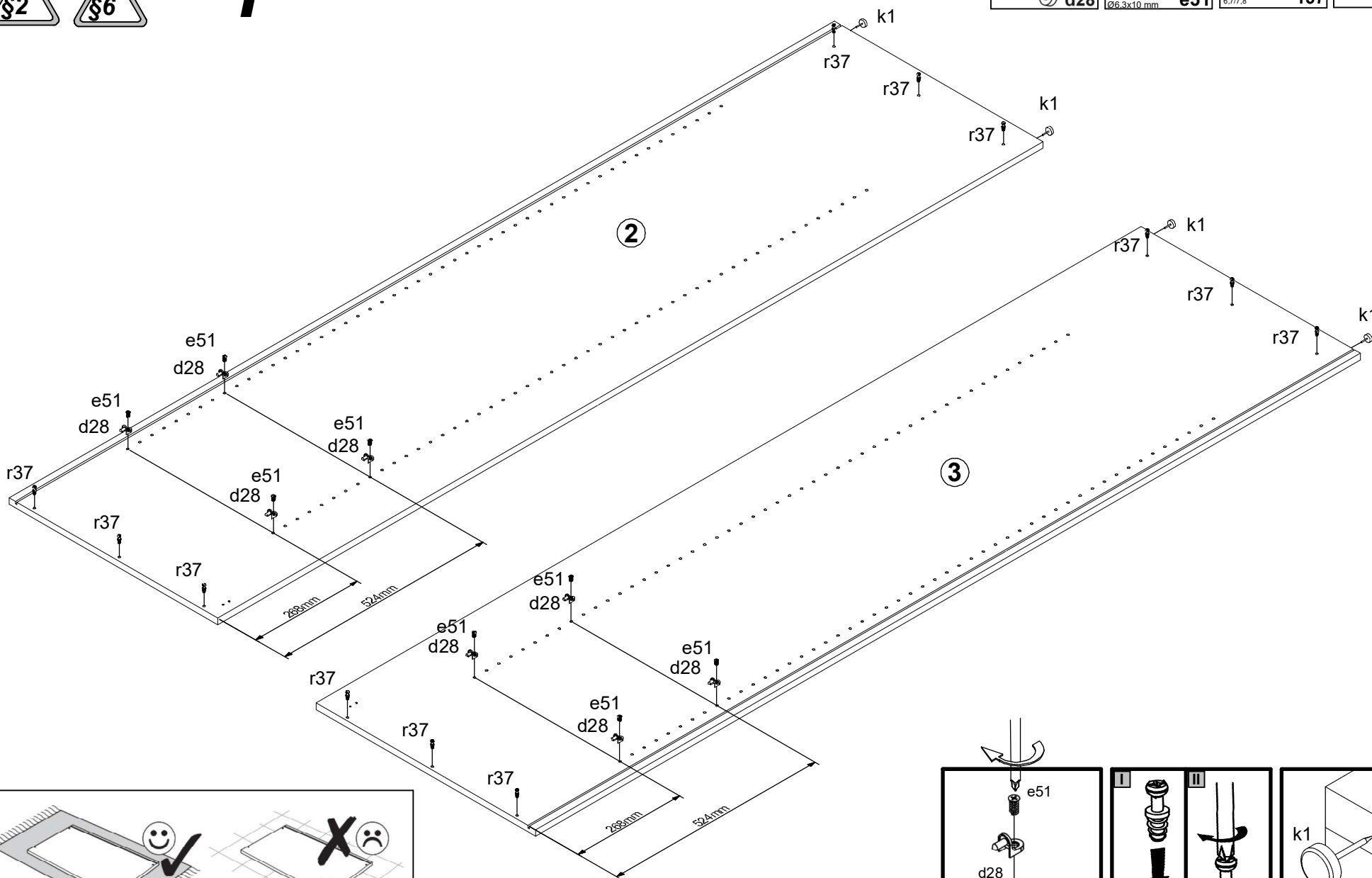
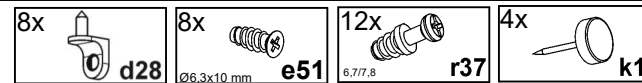








1



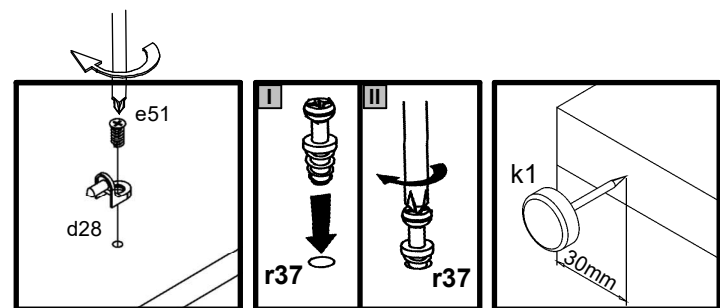
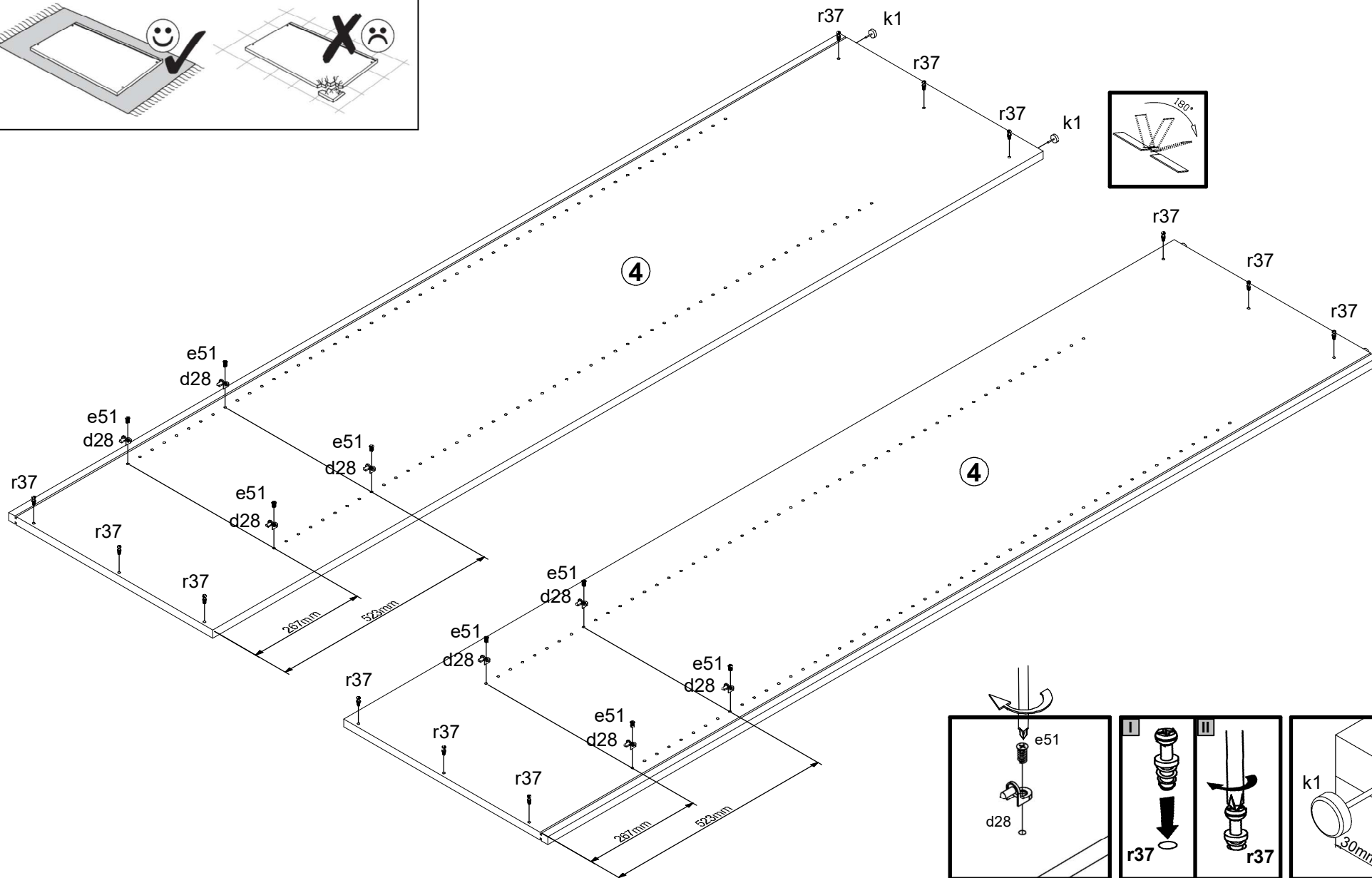
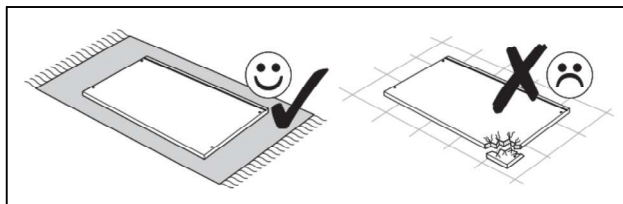
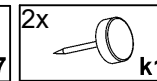
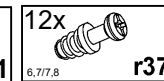
A

F83-SZF2D

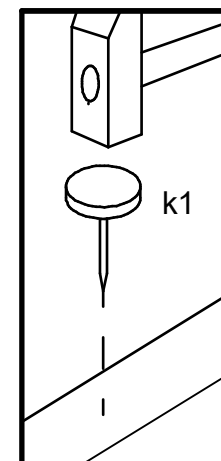
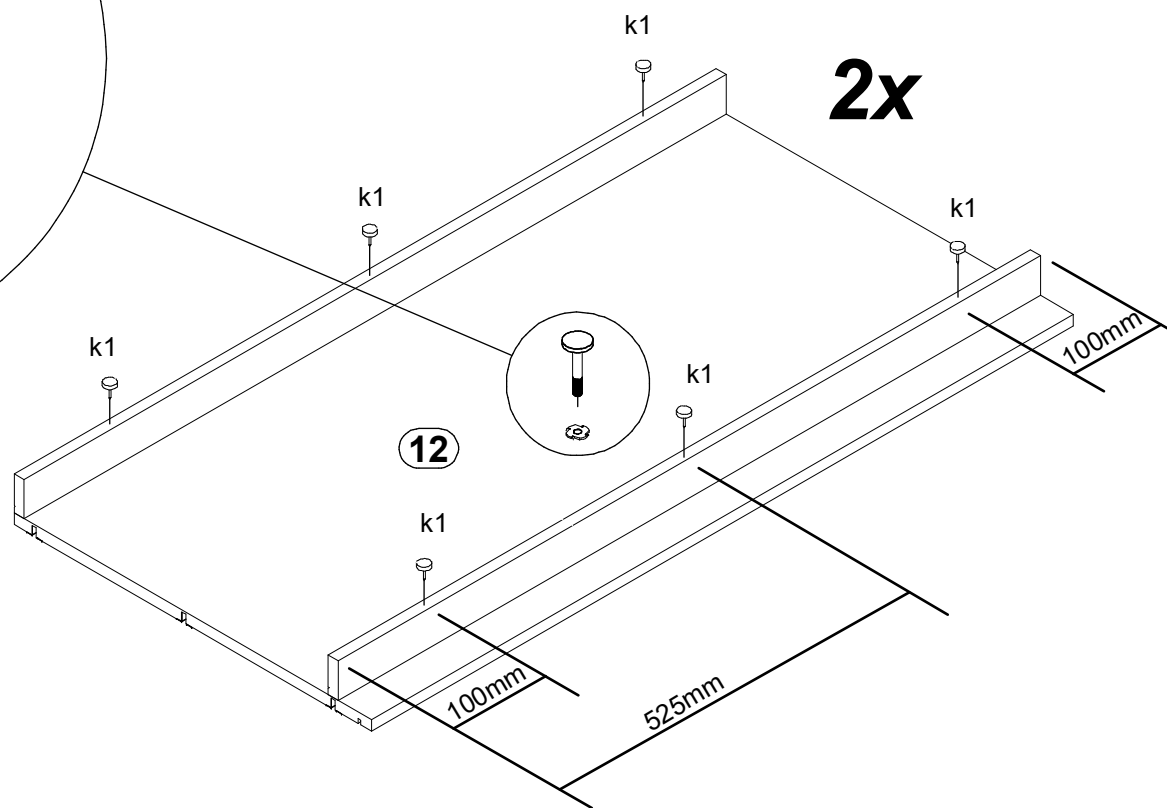
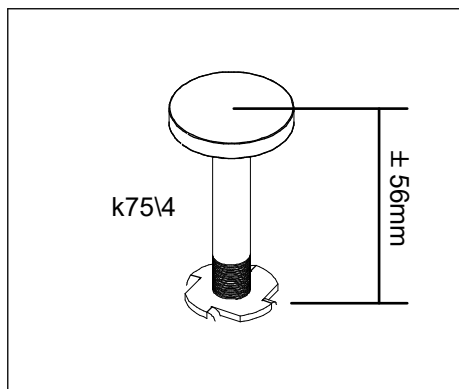
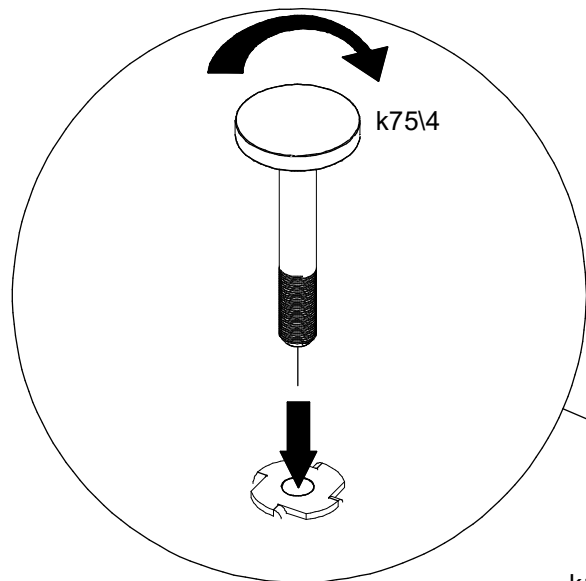
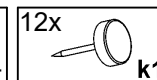
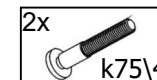
24270093/01

7 / 24

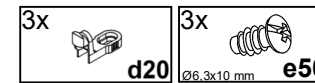
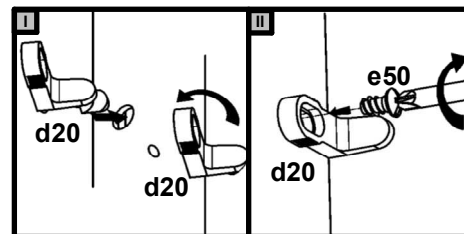
2



3

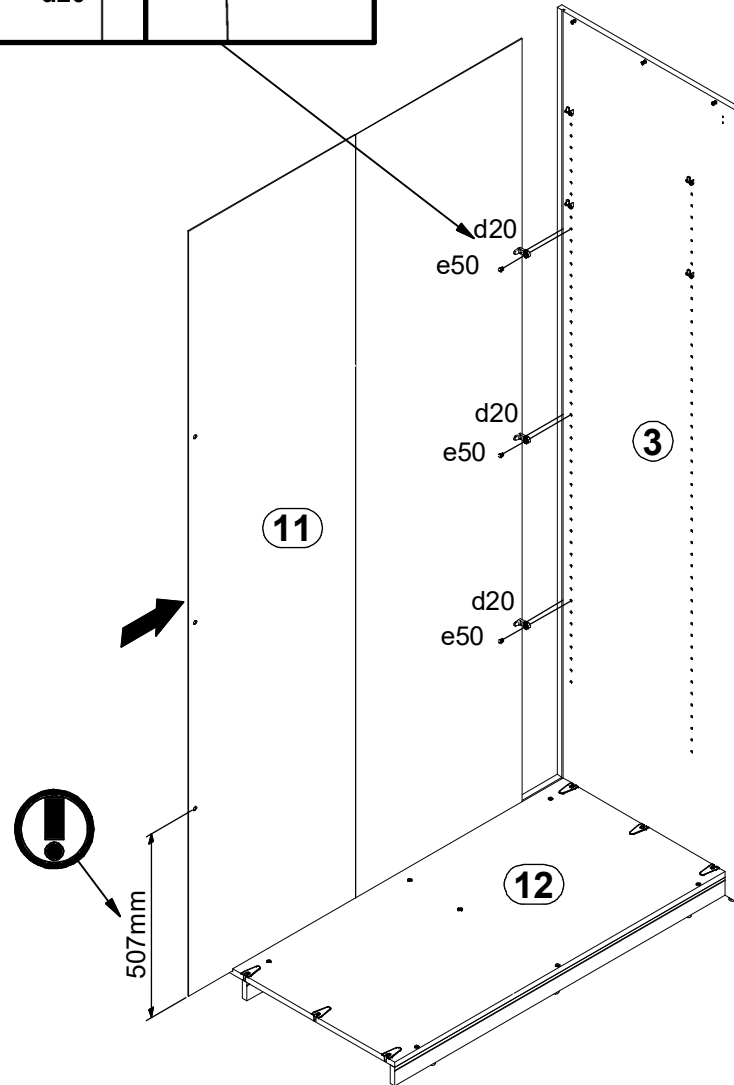
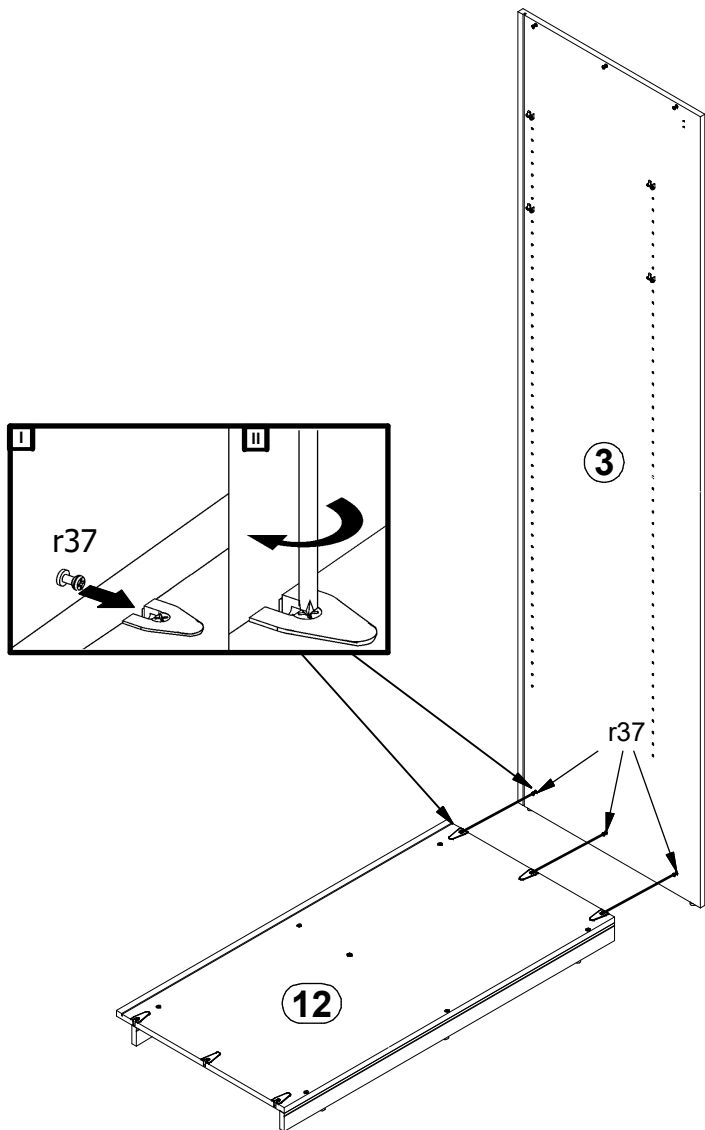
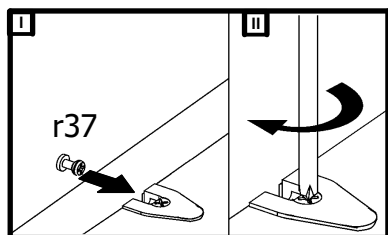


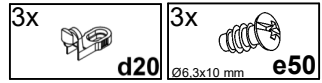




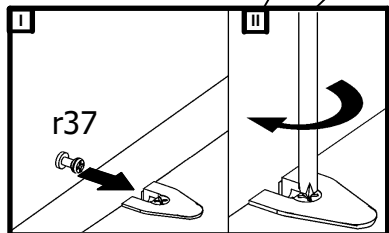
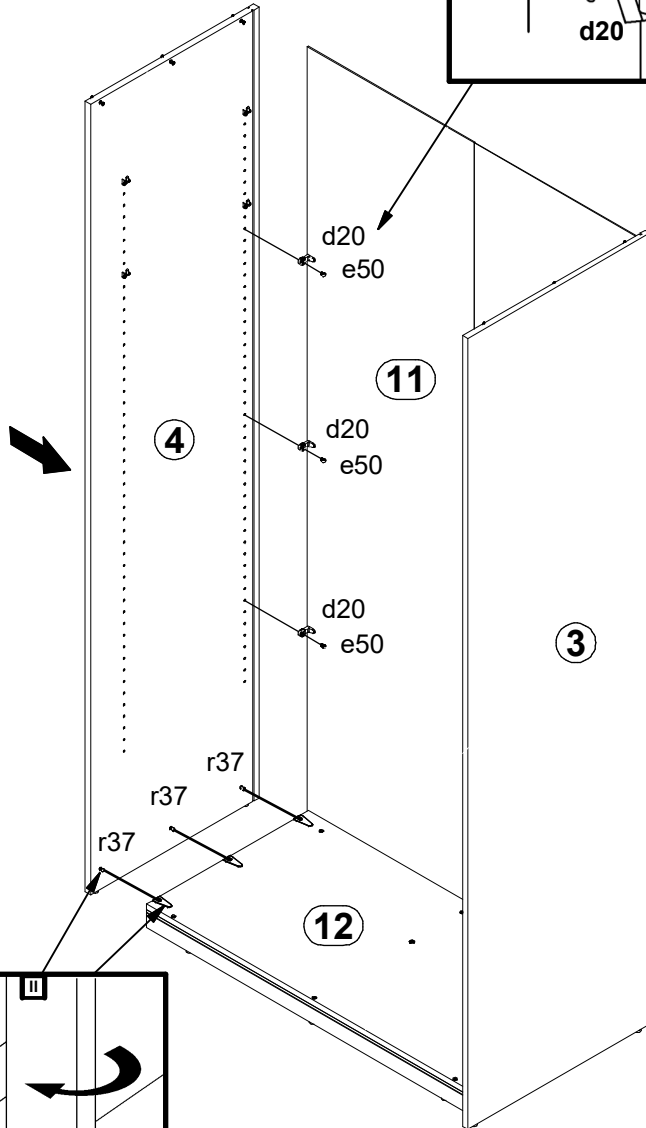
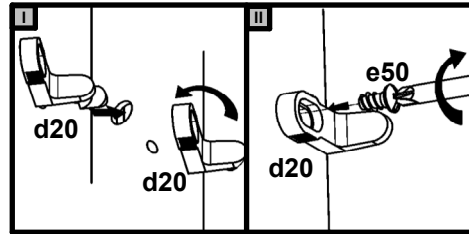
4

5

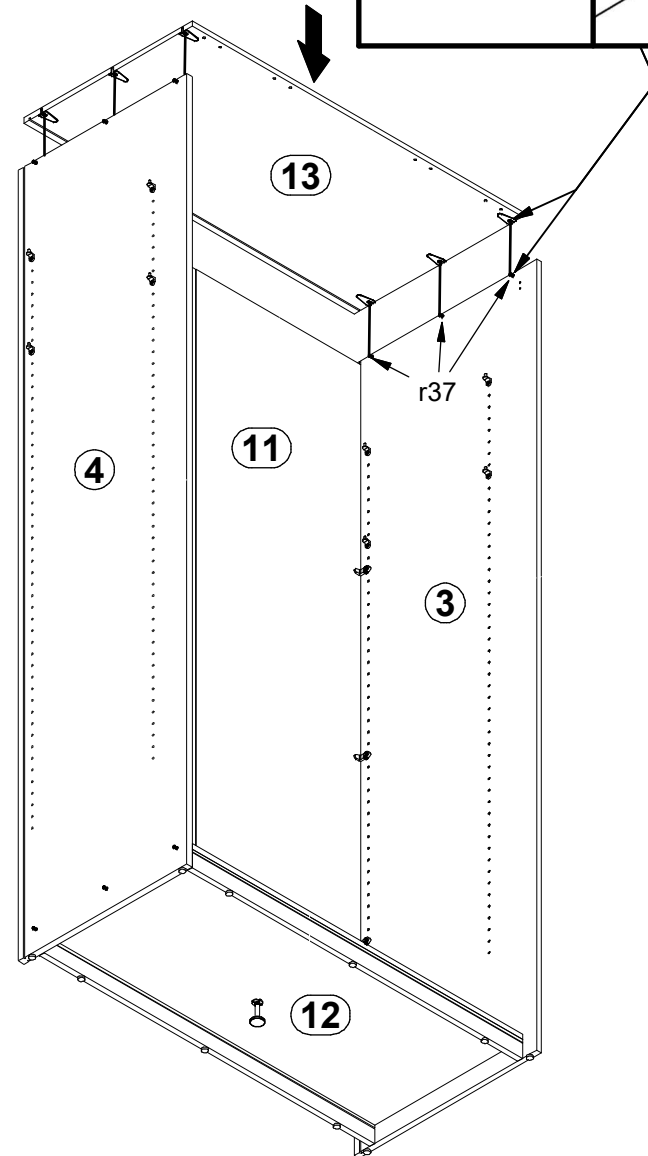
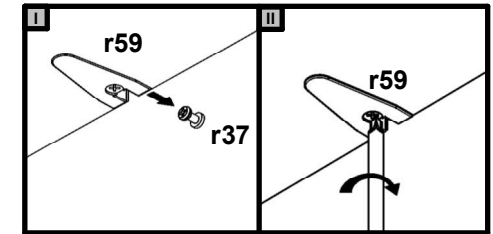




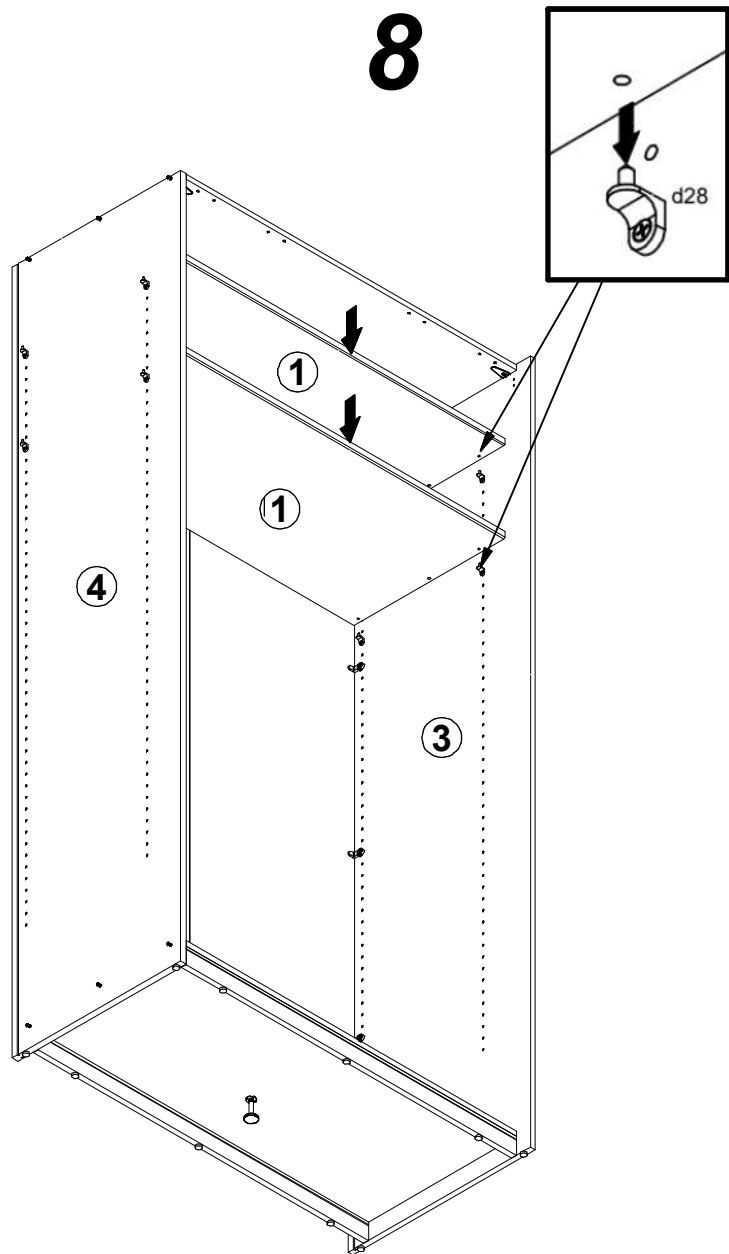
6



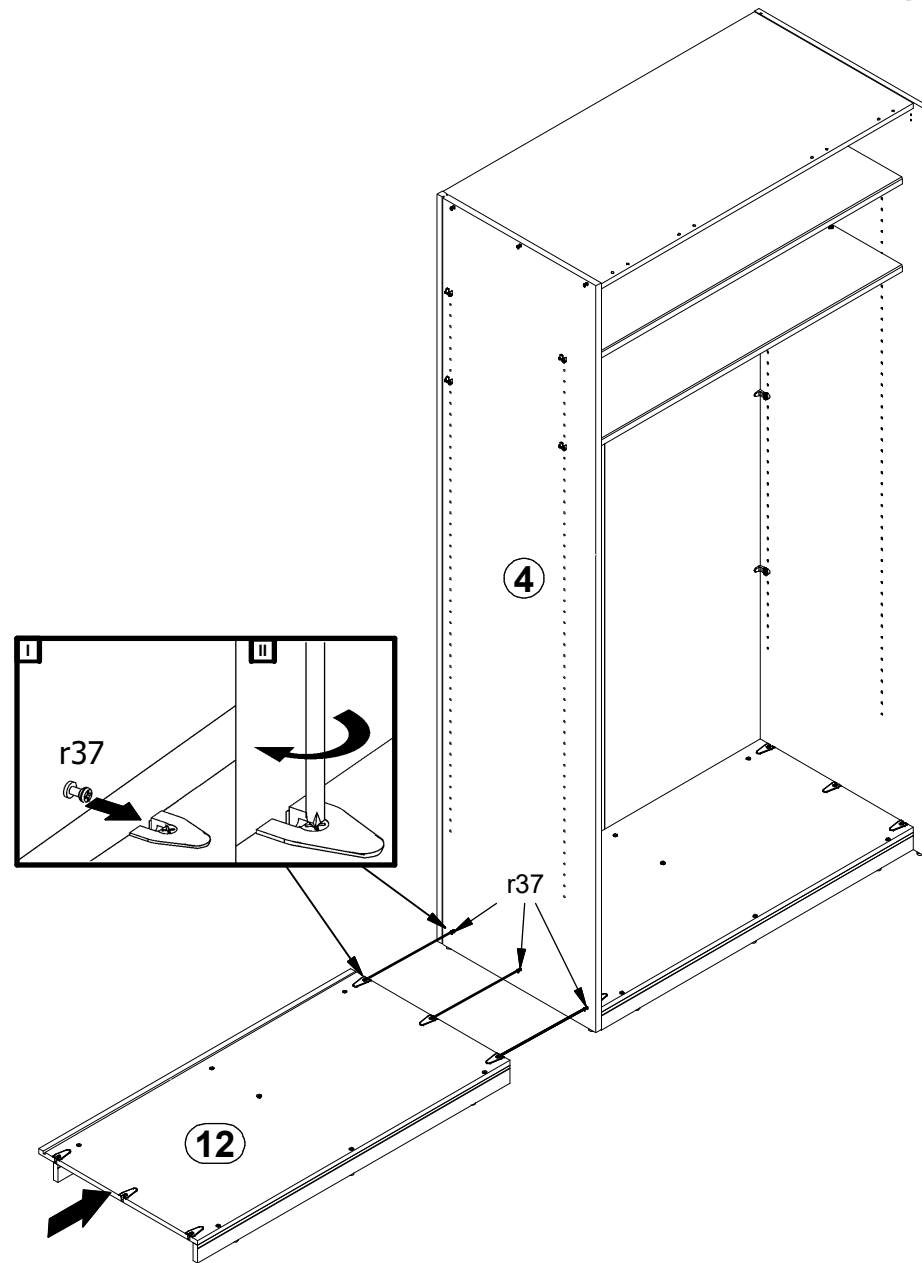
7

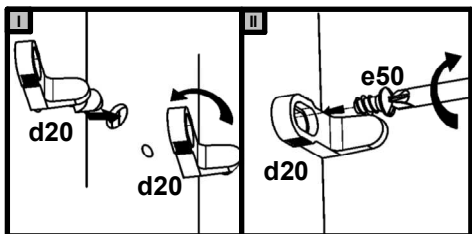


8



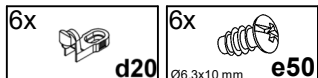
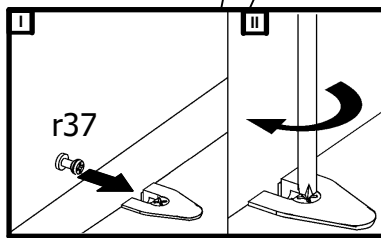
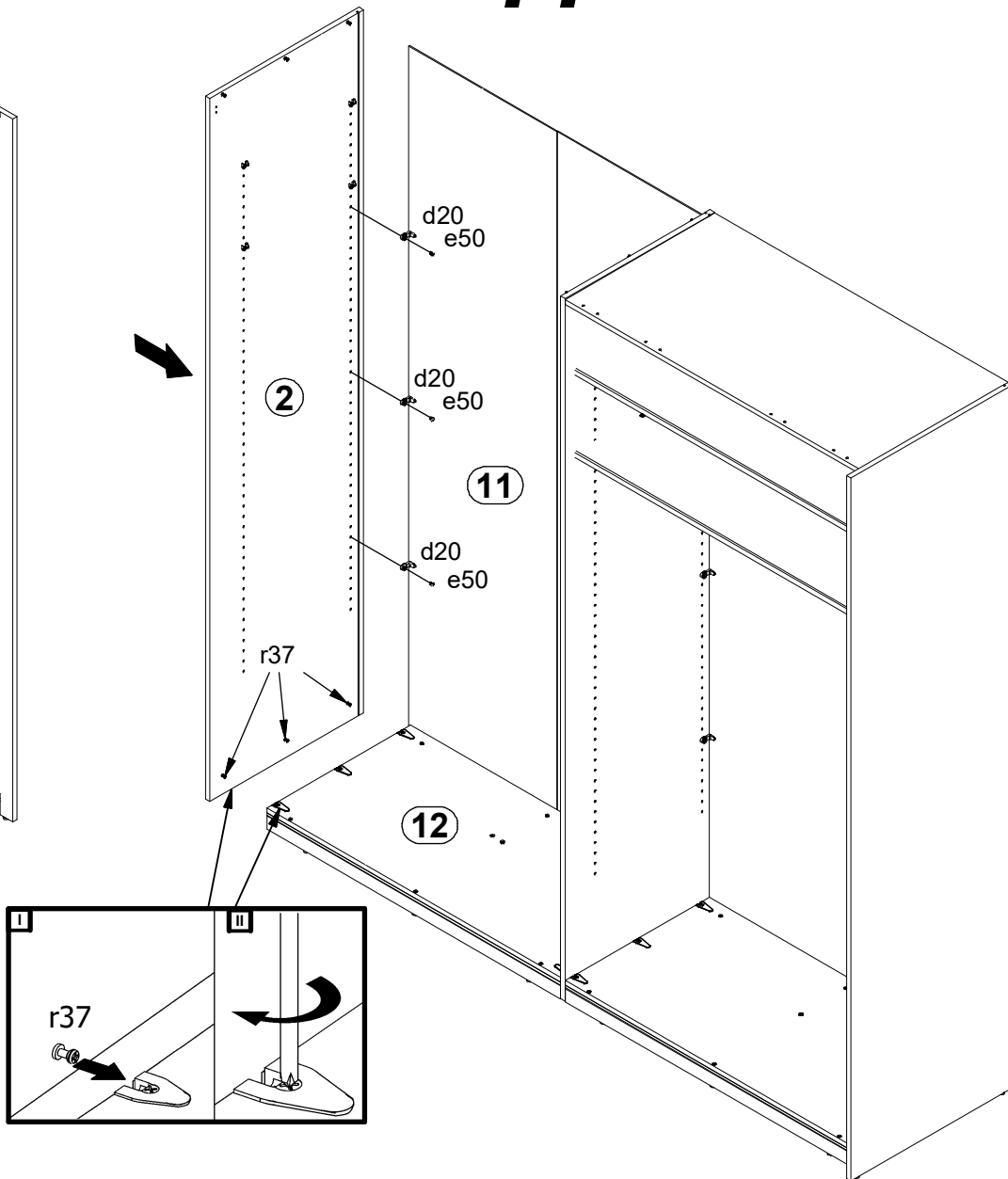
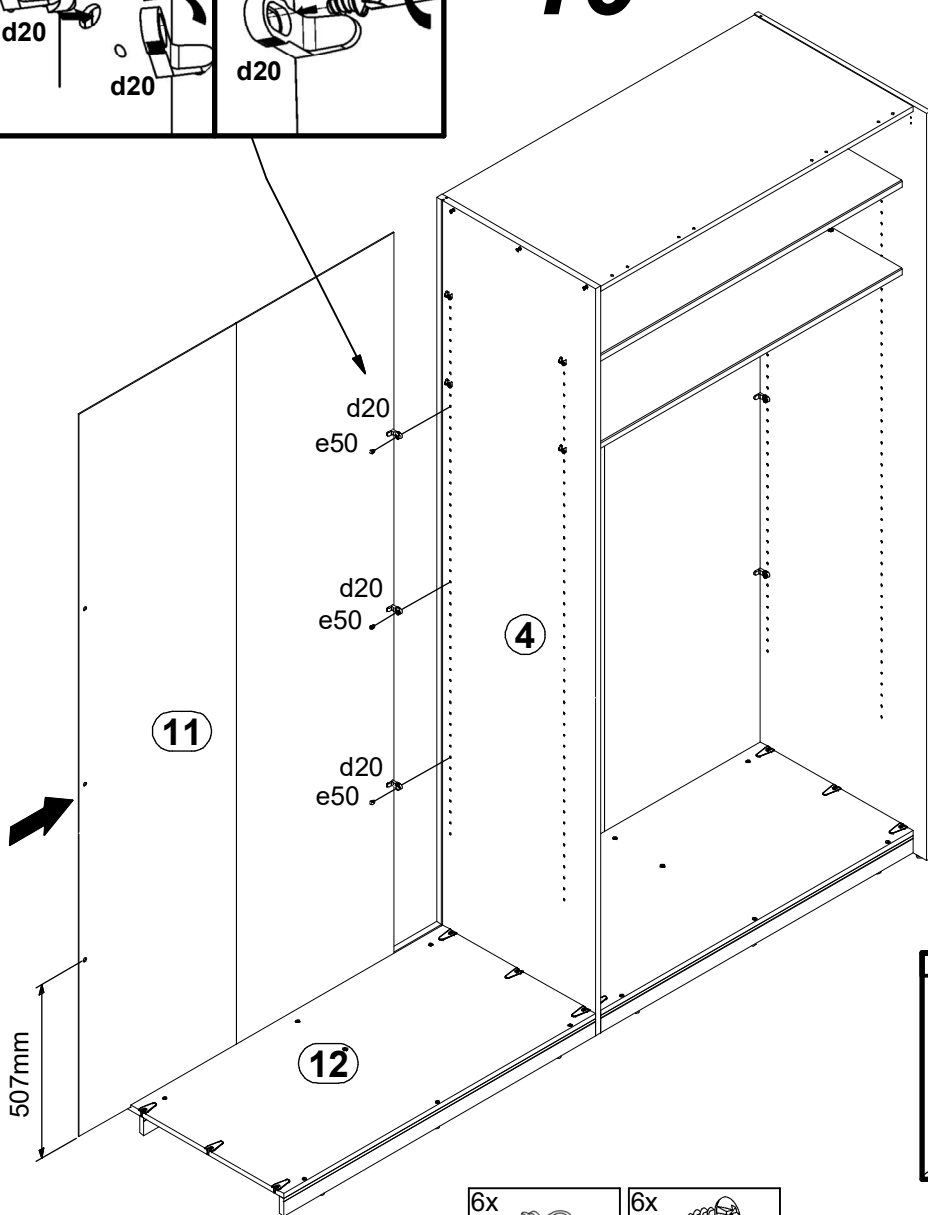
9



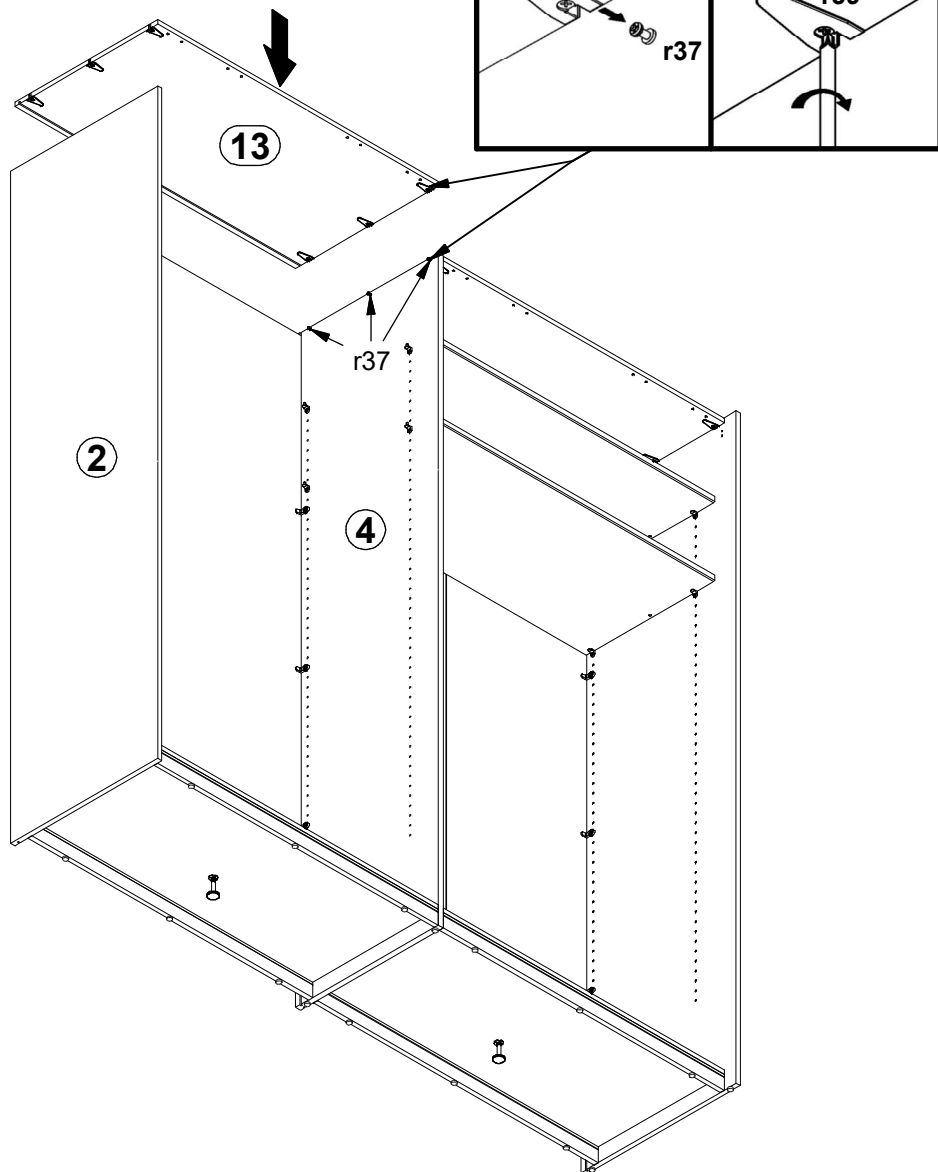


10

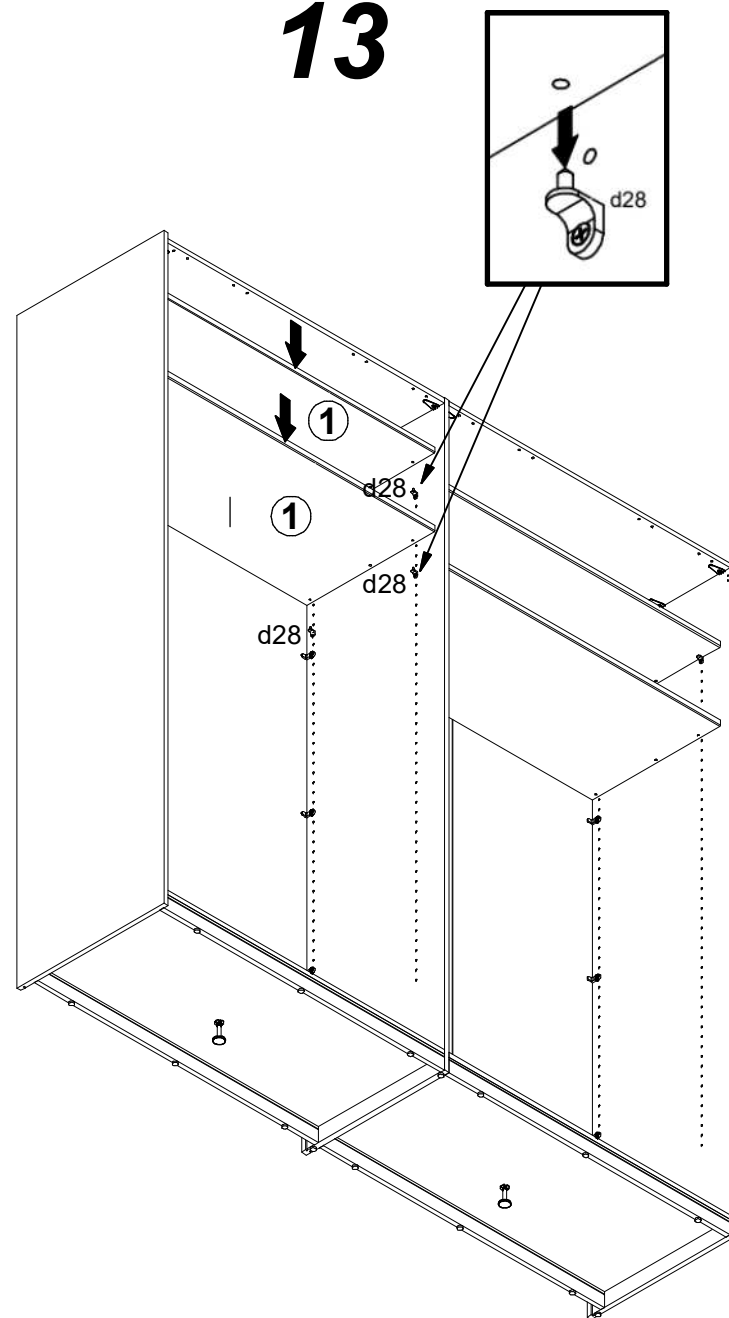
11



12

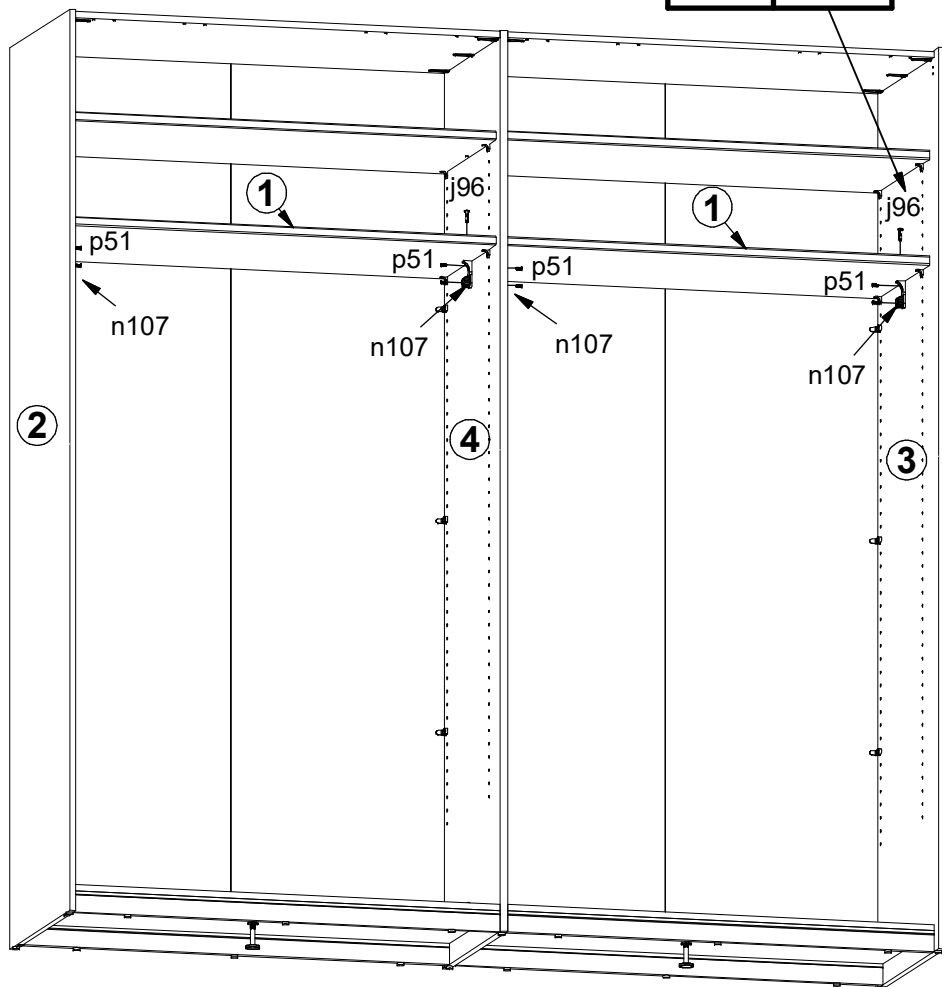
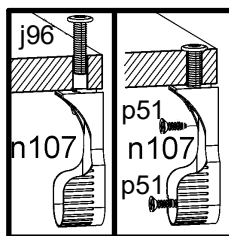


13

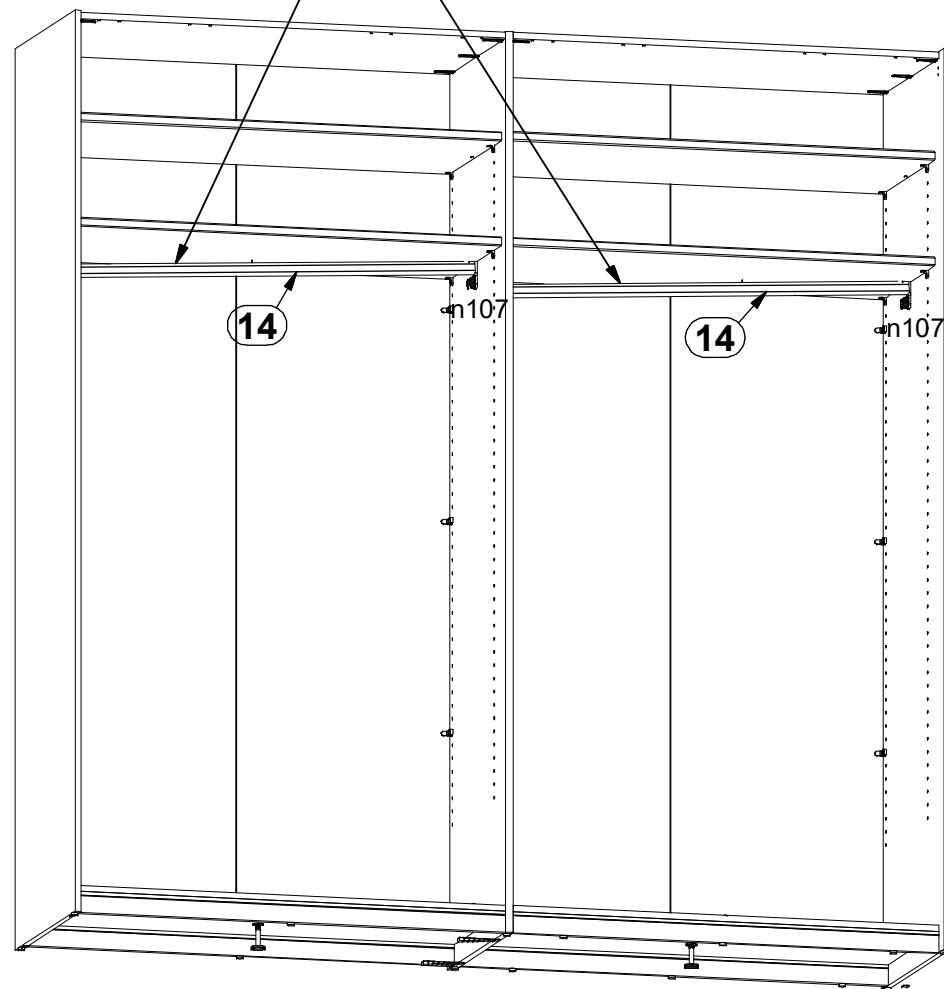
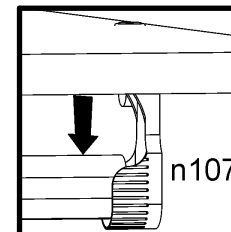




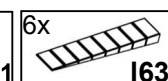
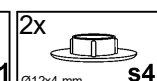
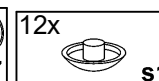
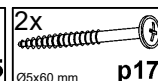
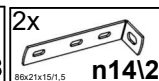
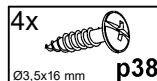
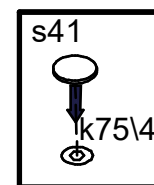
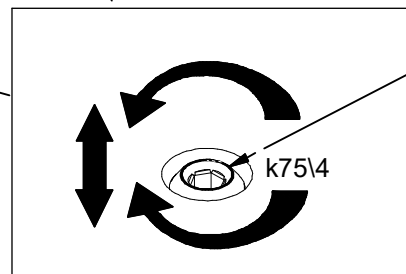
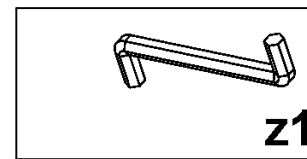
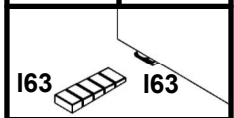
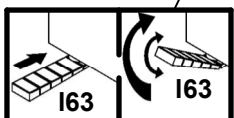
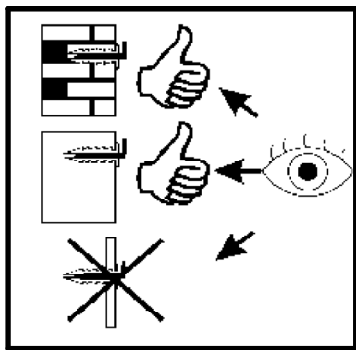
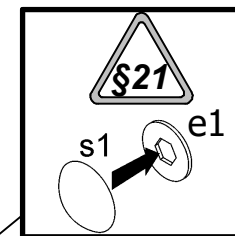
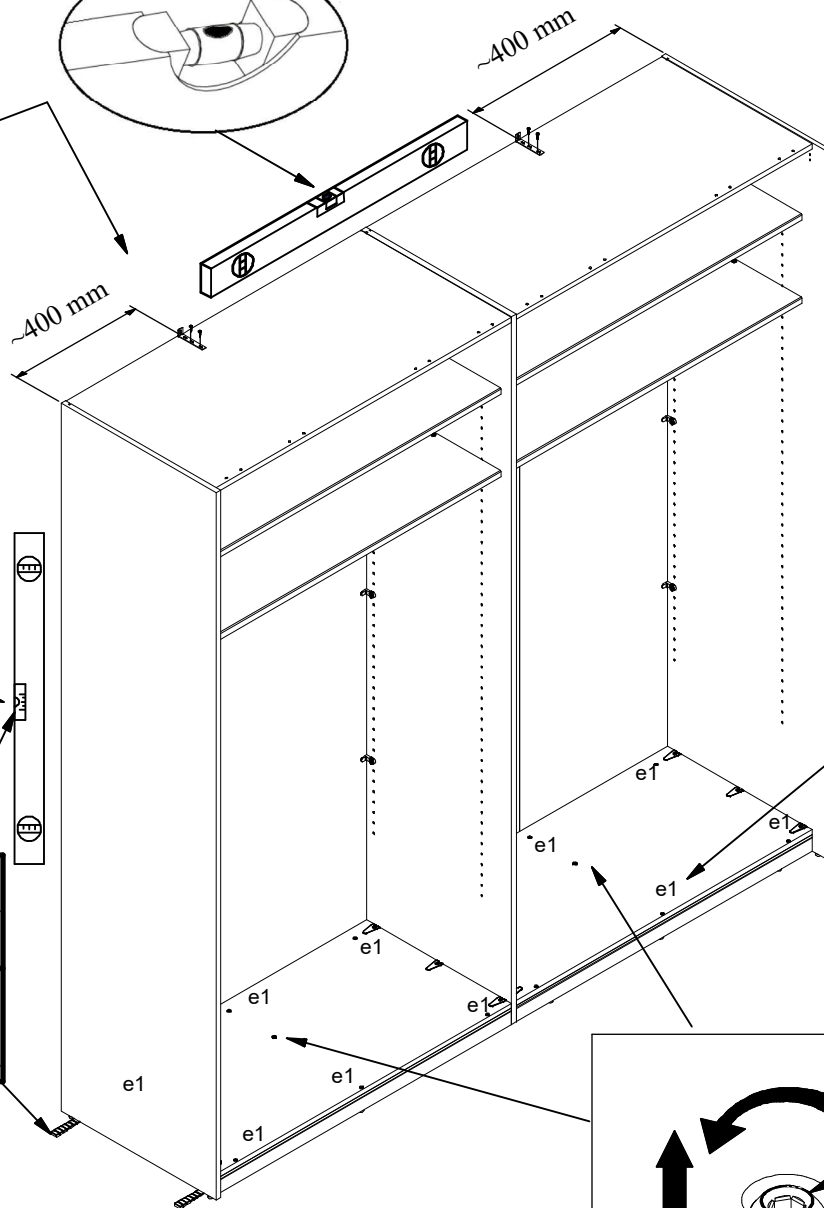
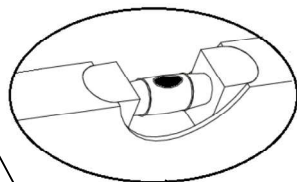
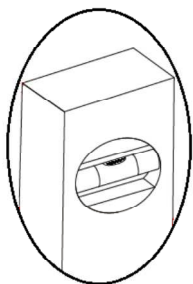
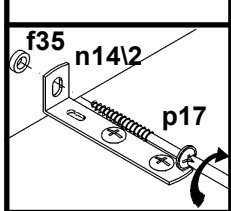
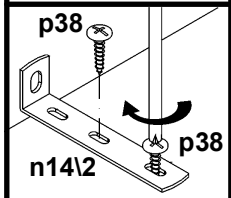
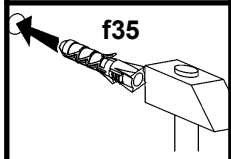
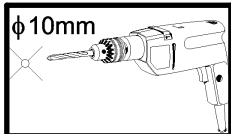
14




15

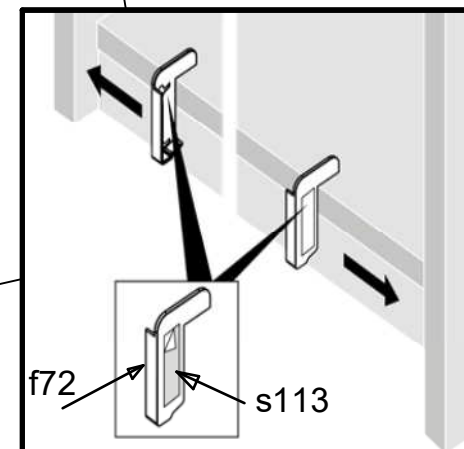
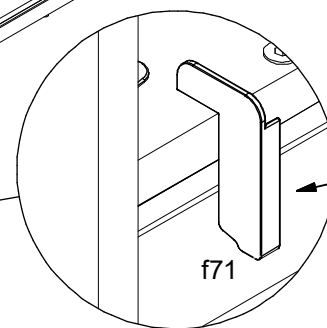
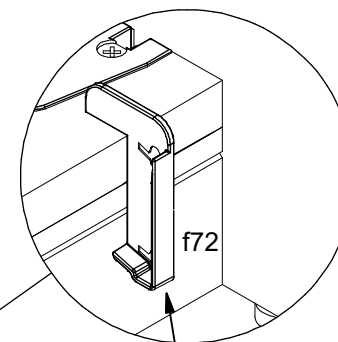
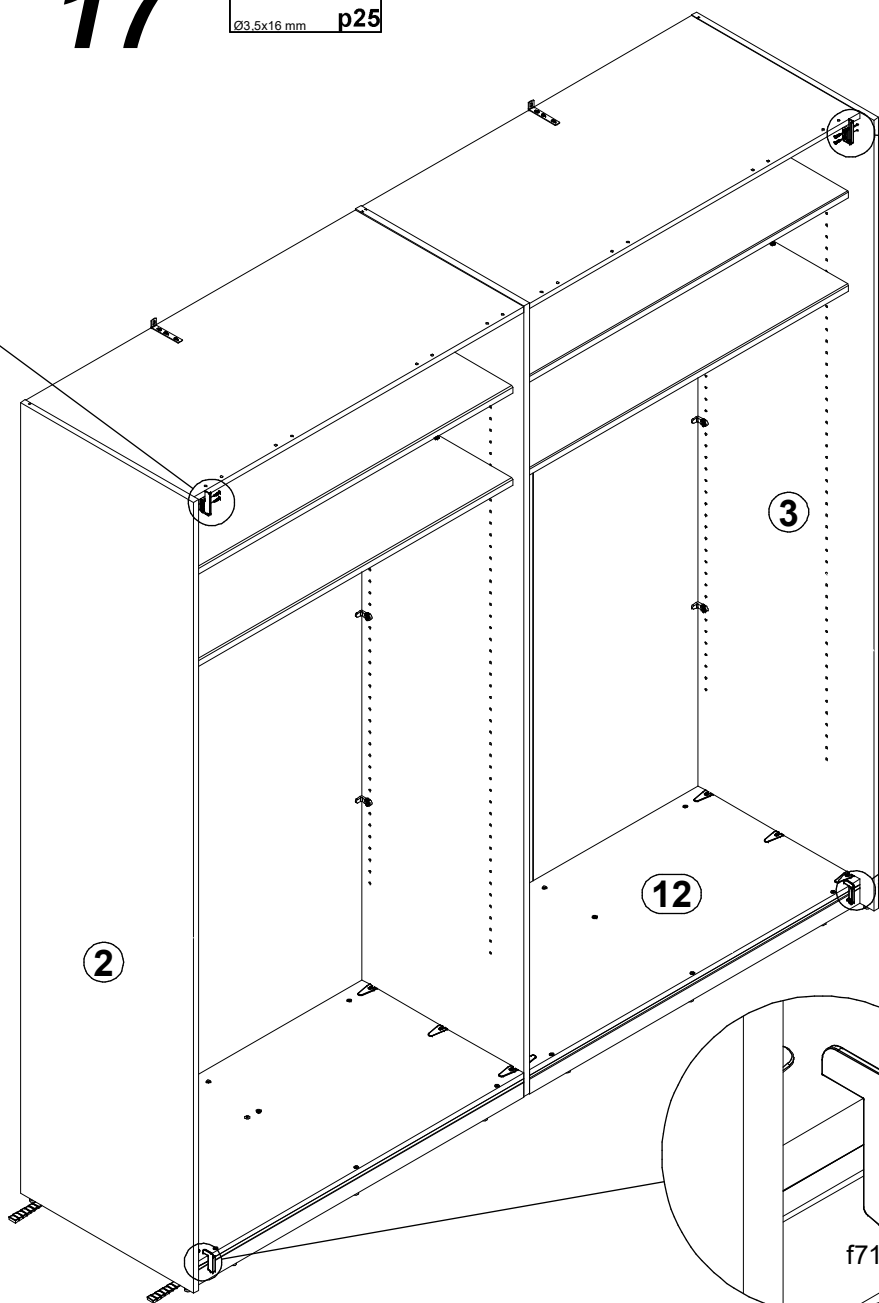
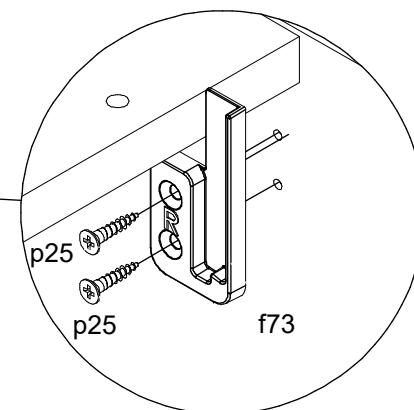
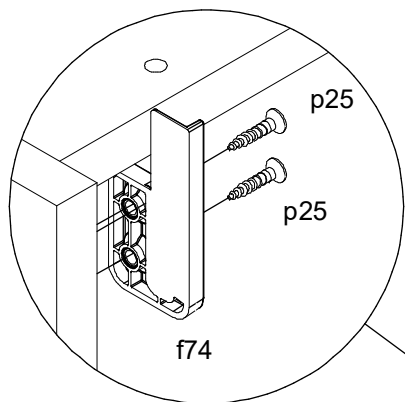


# 16



17

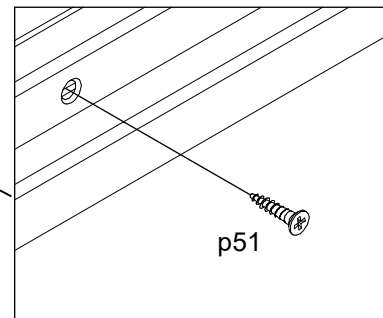
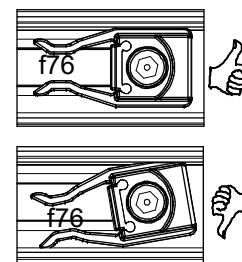
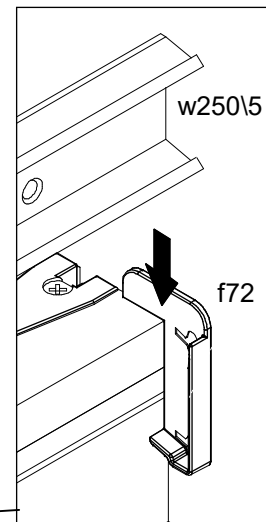
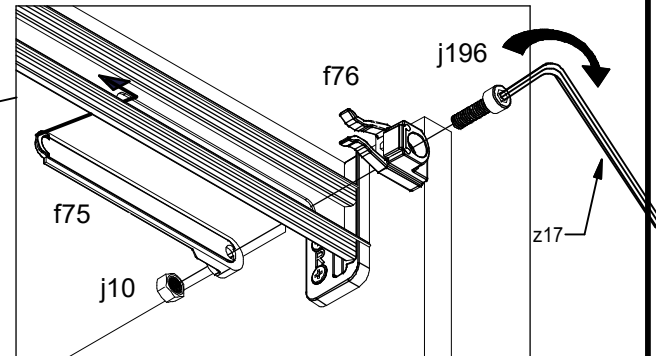
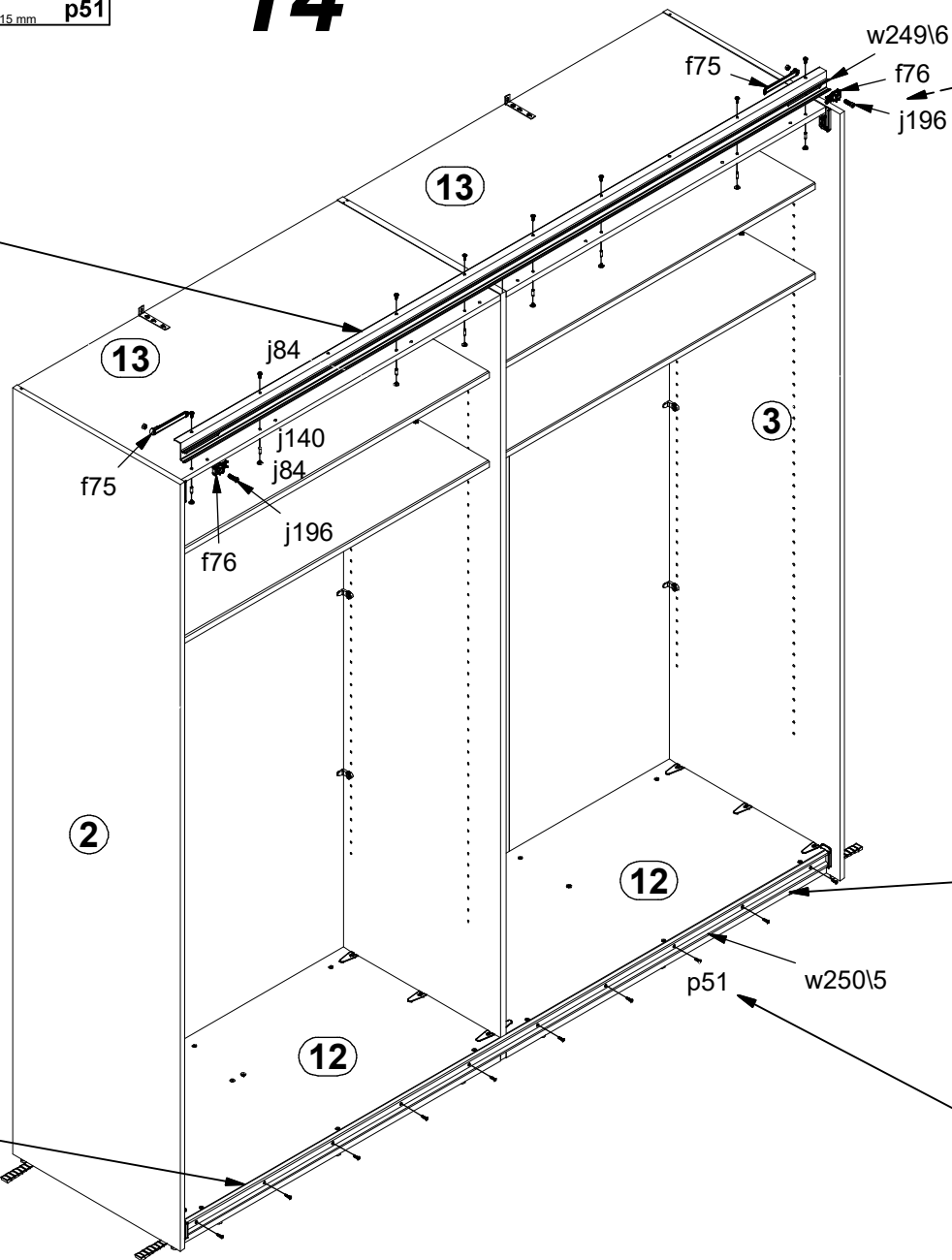
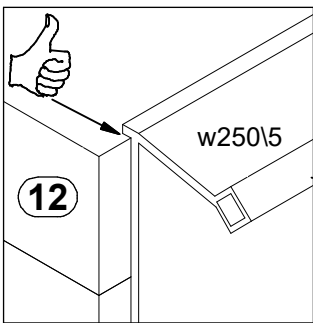
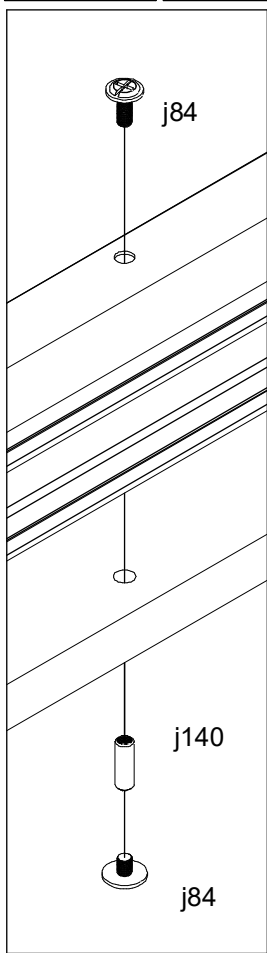
4x   
Ø3,5x16 mm p25



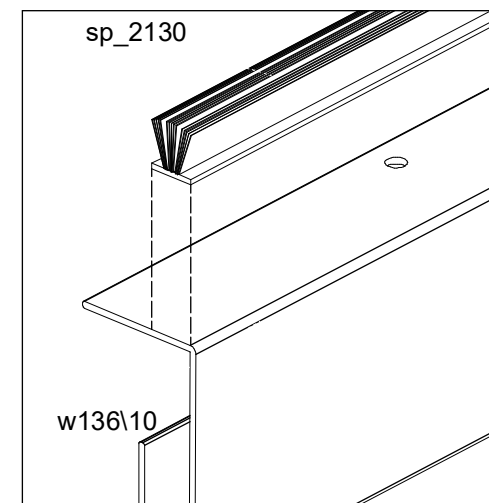
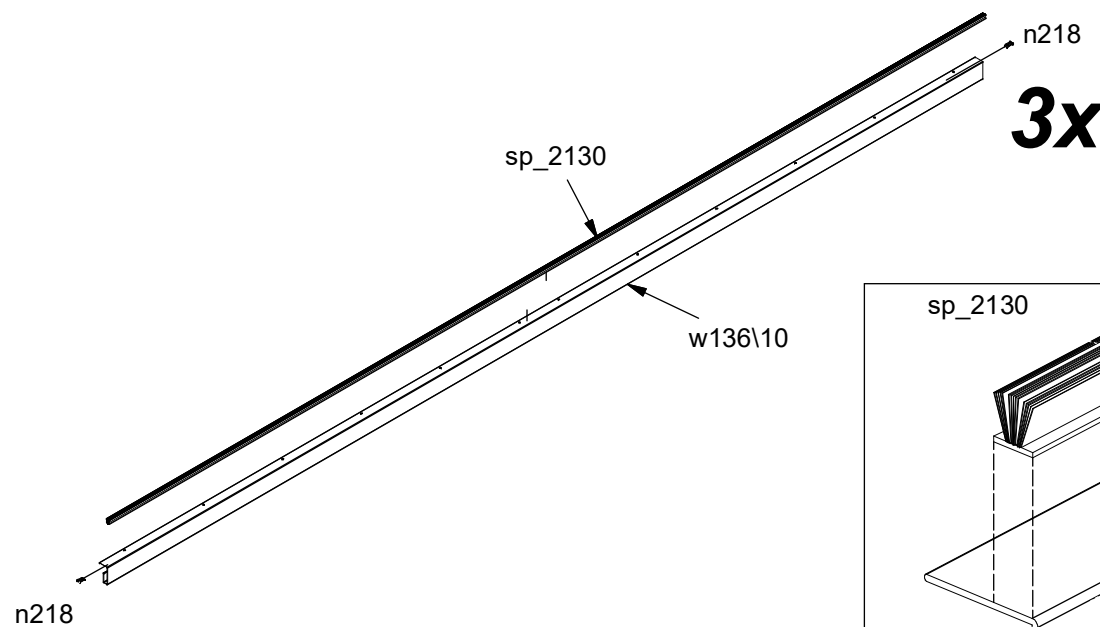
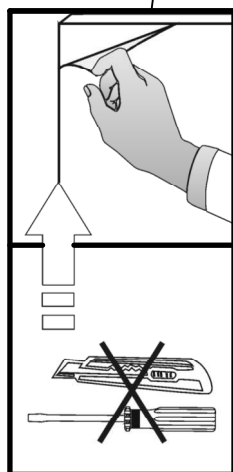
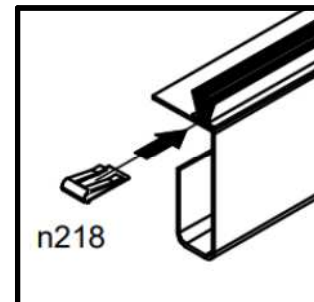
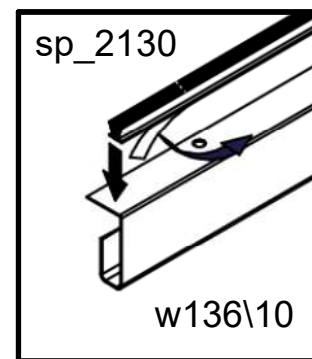
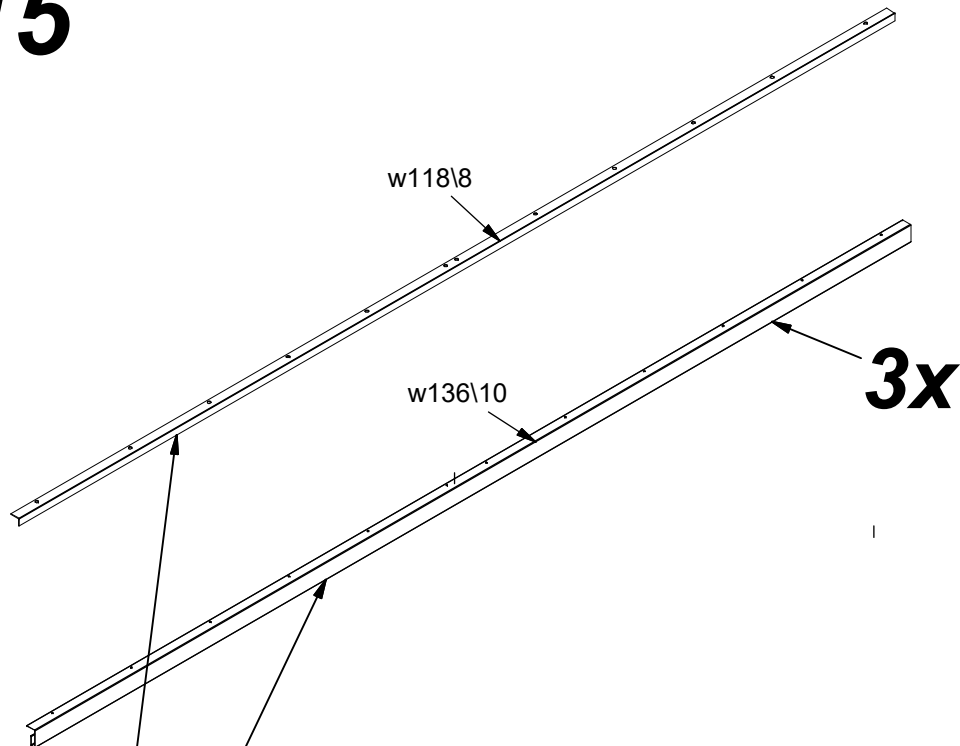


- 16x M4x5 mm **j84**
- 8x **j140**
- 10x Ø3.5x15 mm **p51**

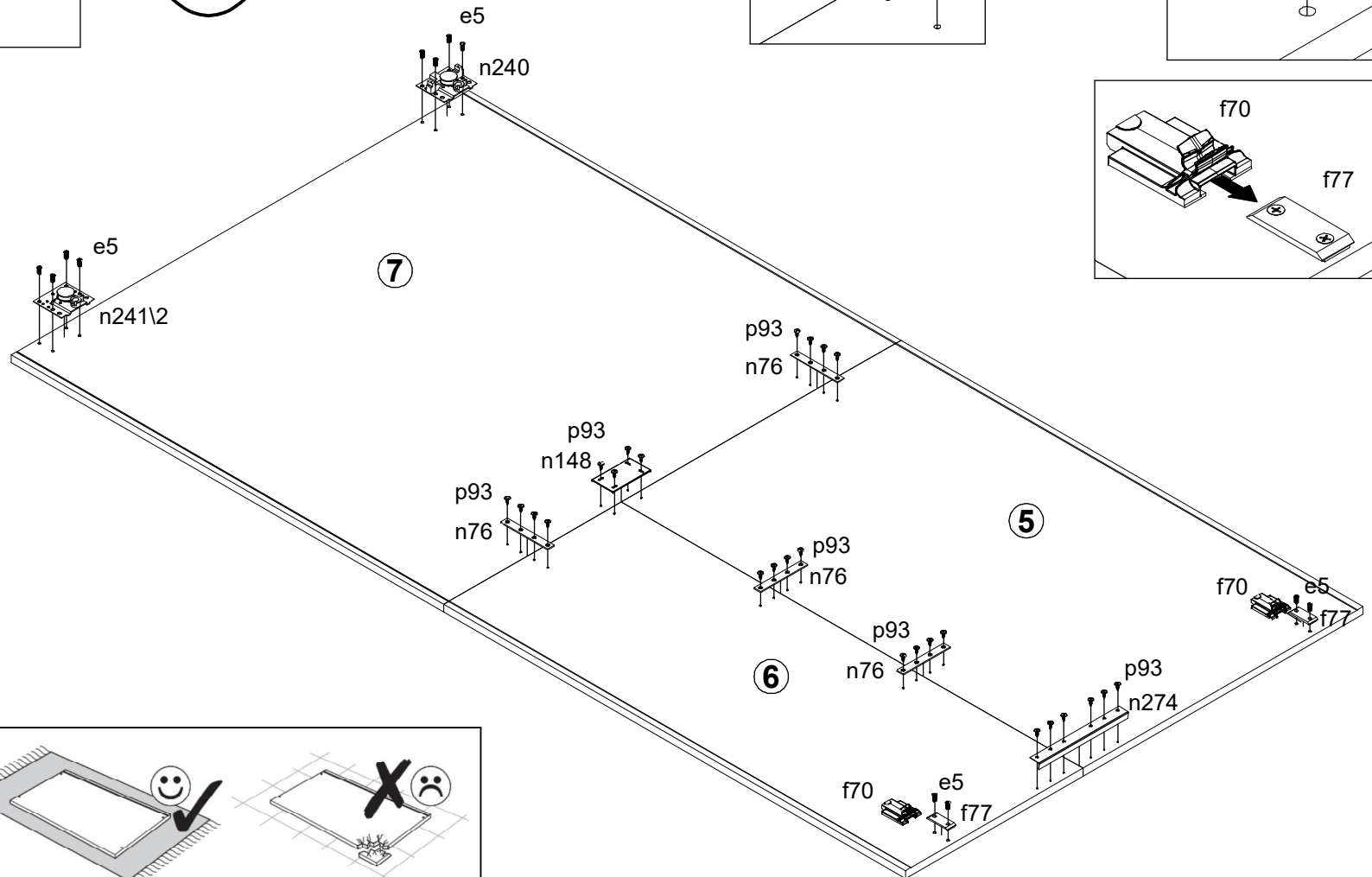
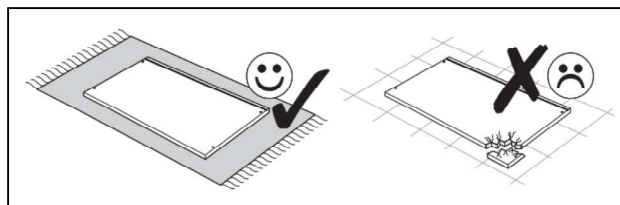
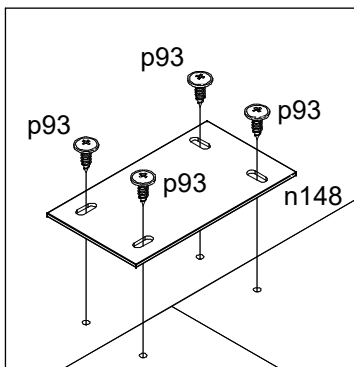
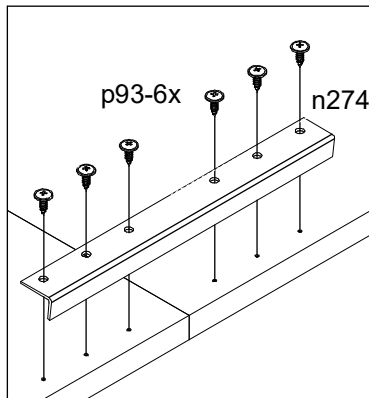
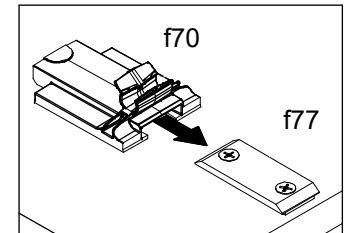
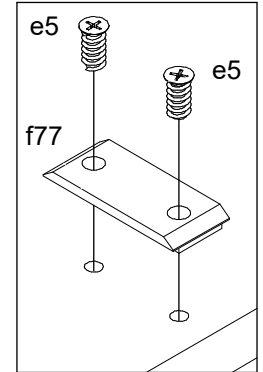
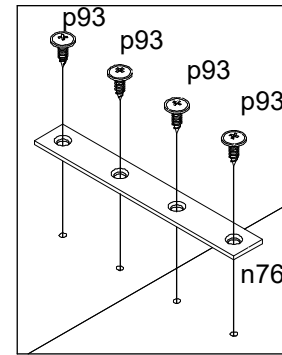
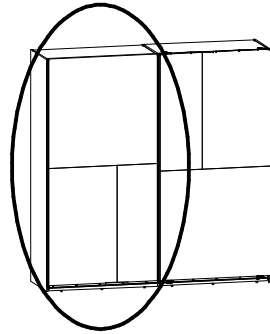
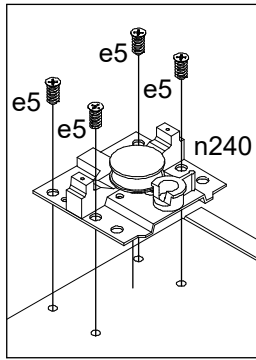
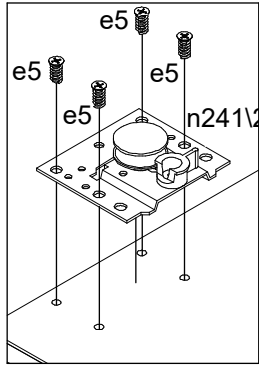
# 14



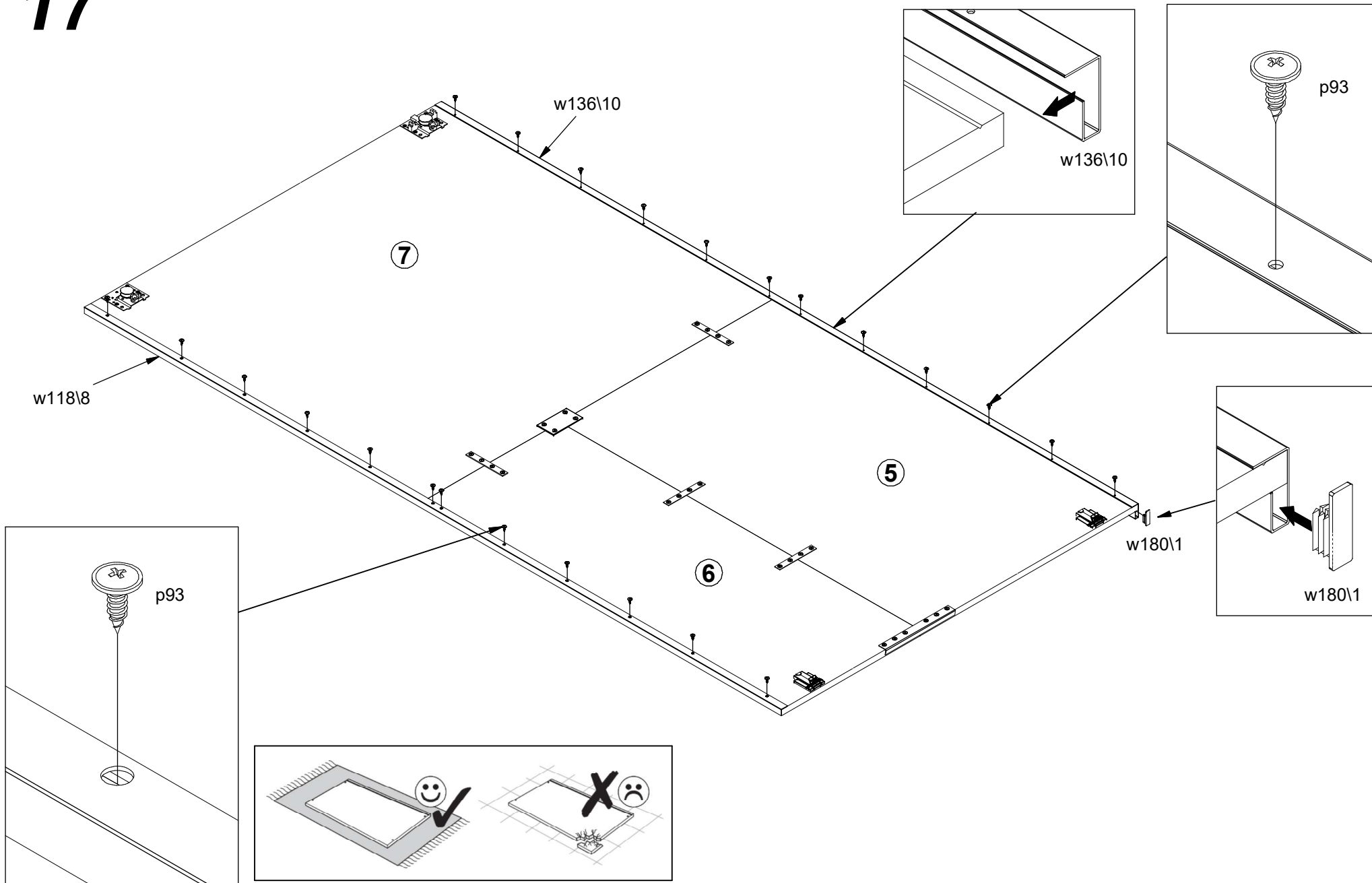
# 15



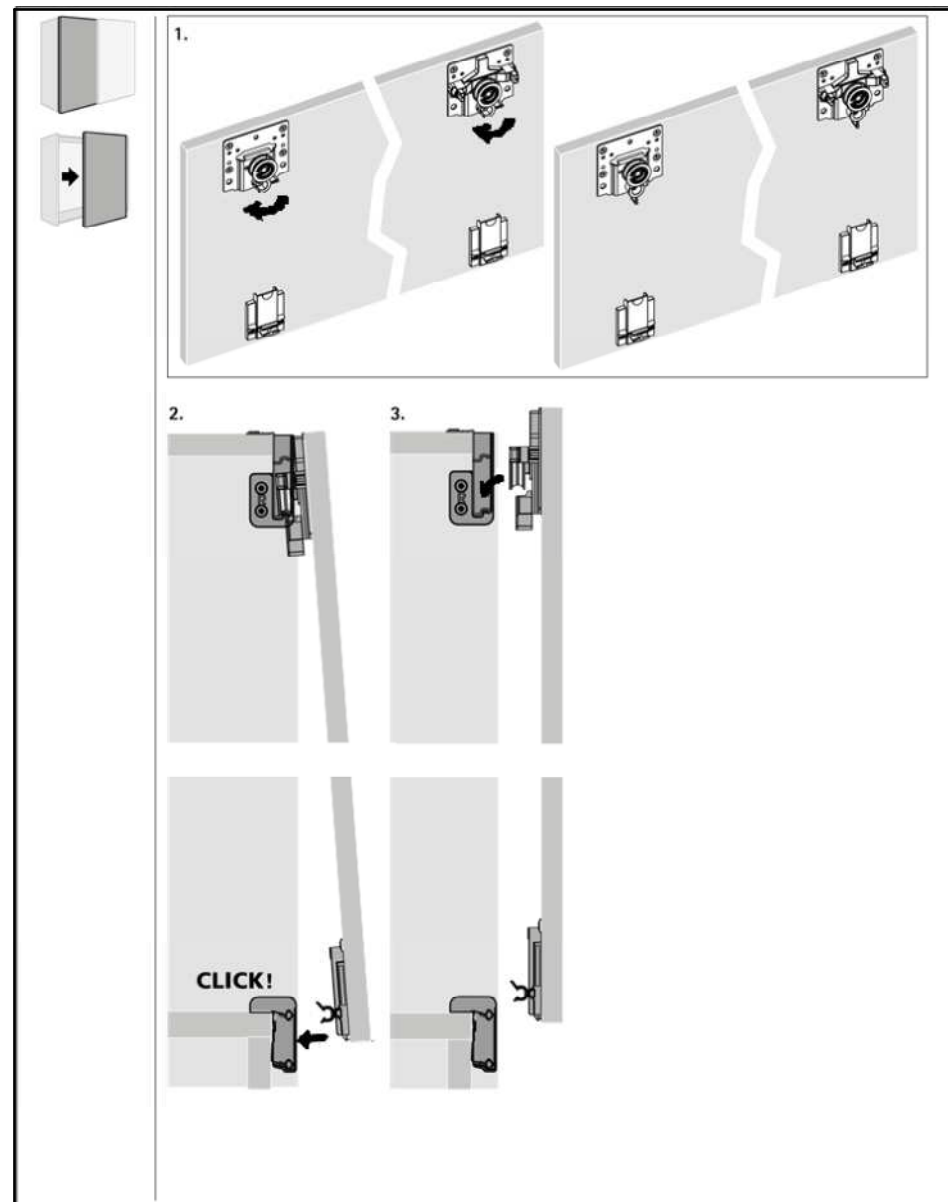
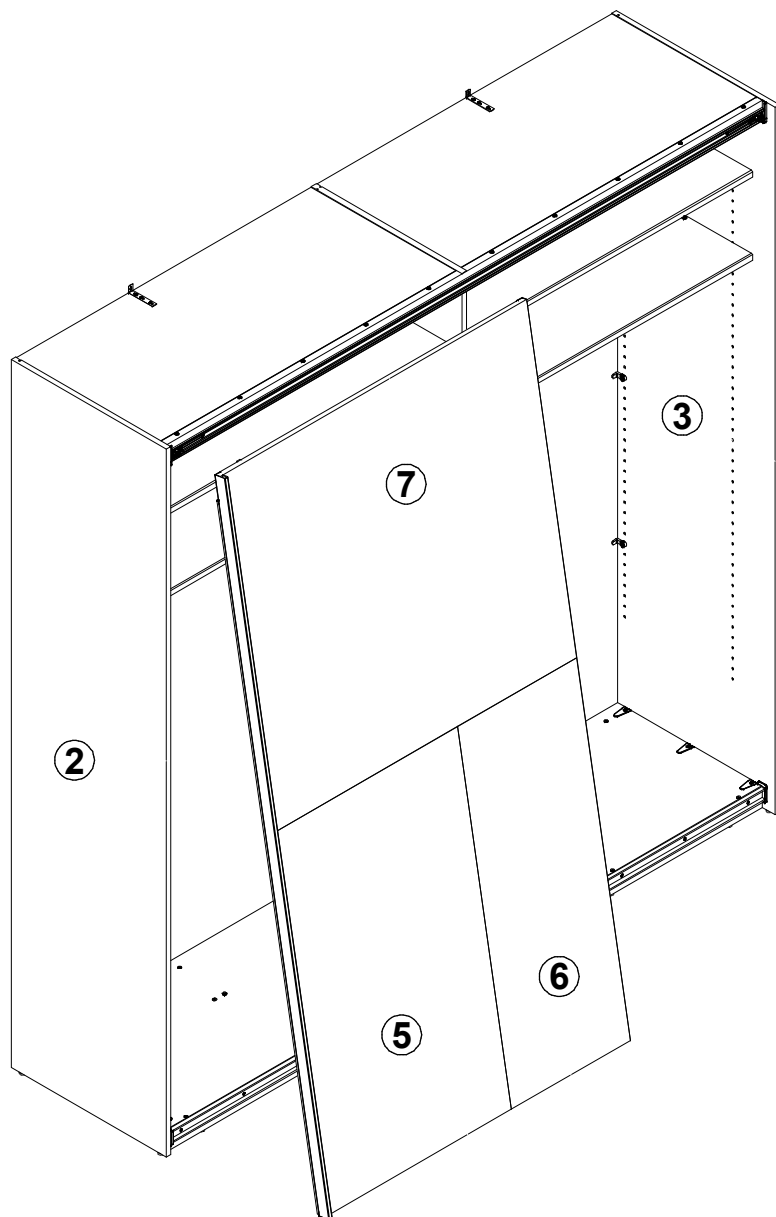
16

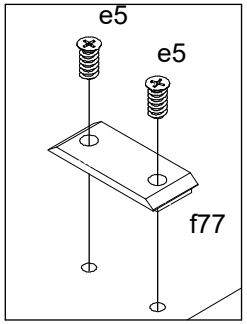
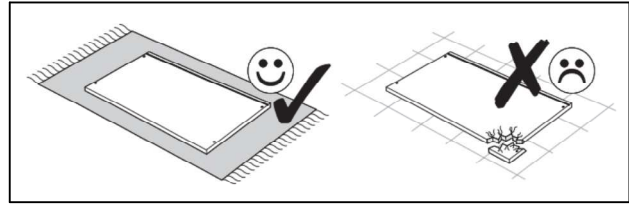
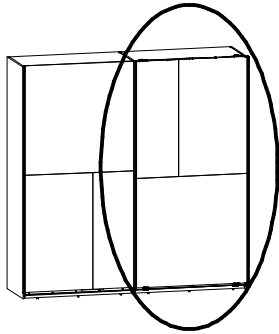
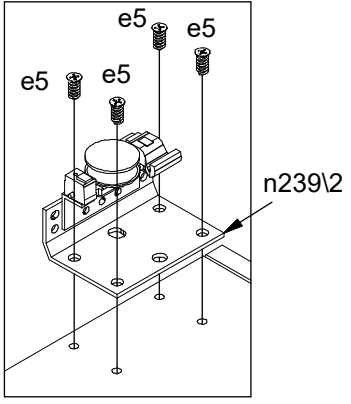
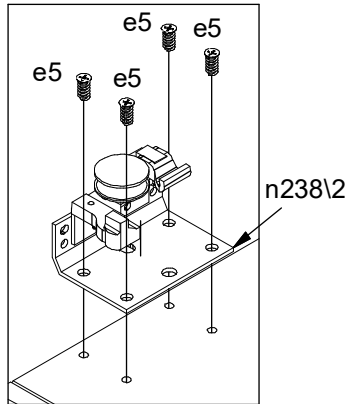


# 17

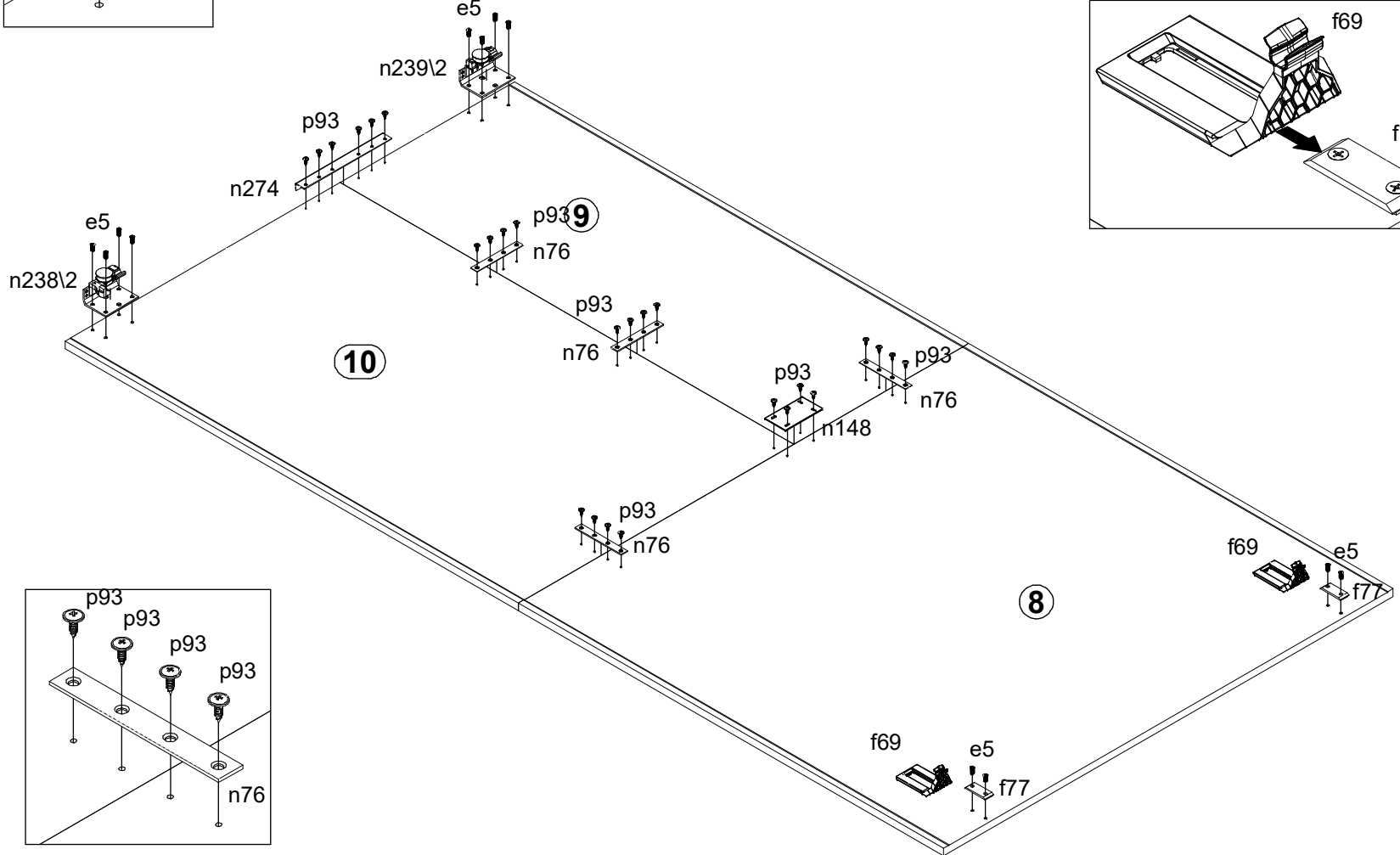
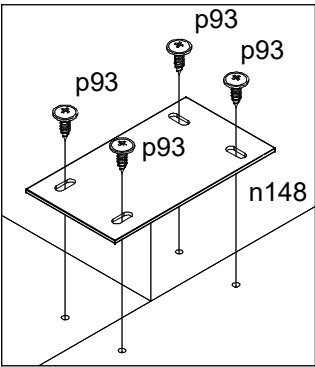
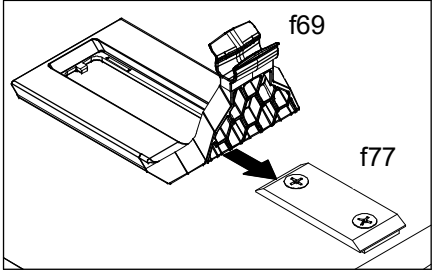


18





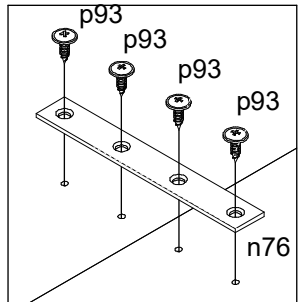
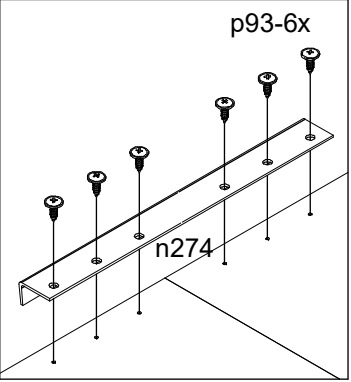
19



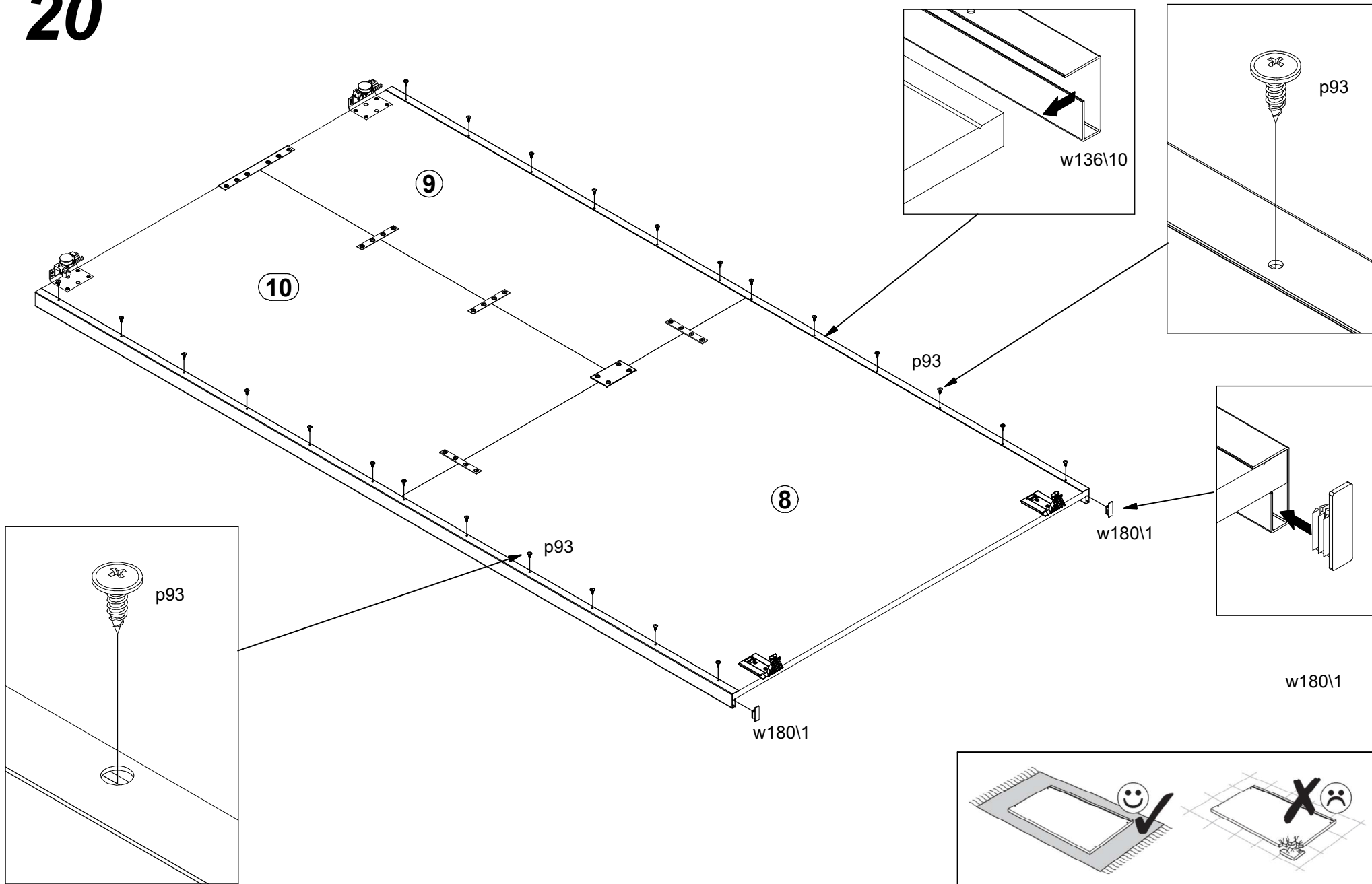
10

9

8



# 20



# 21

