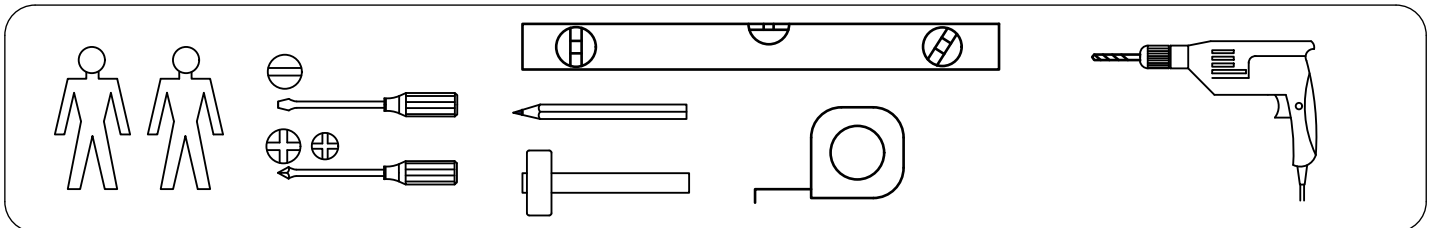
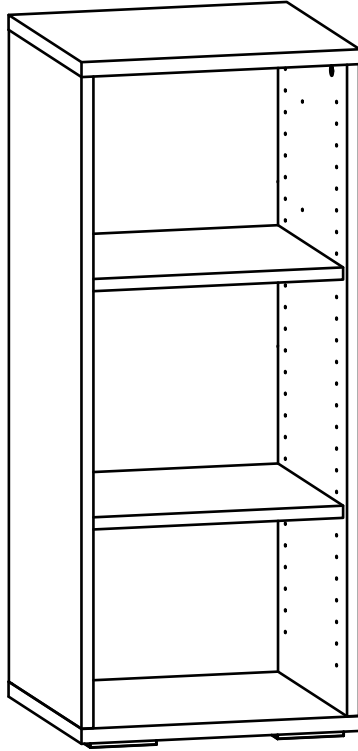
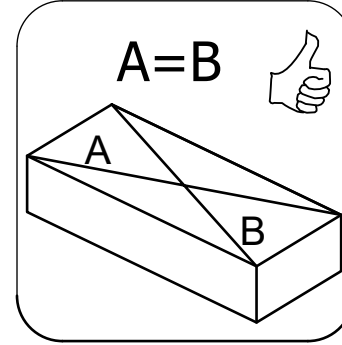
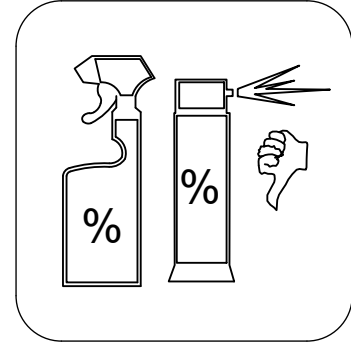
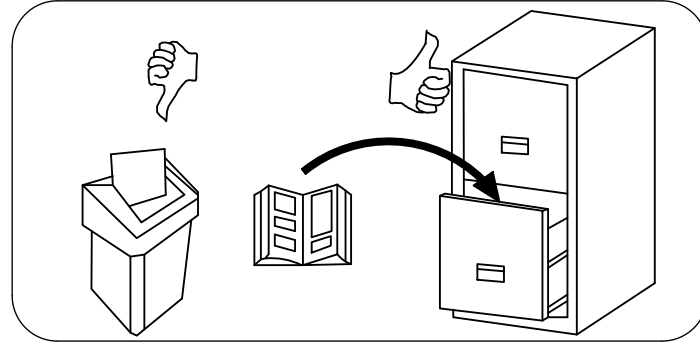
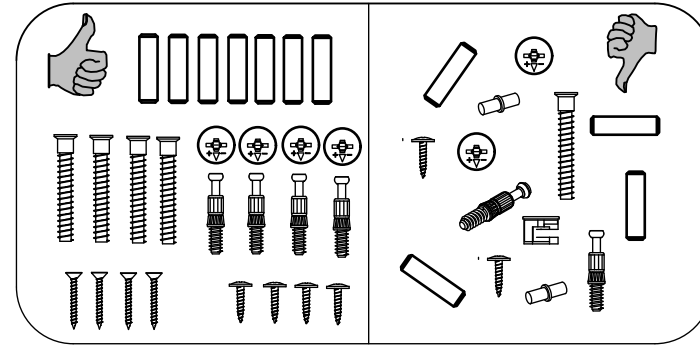
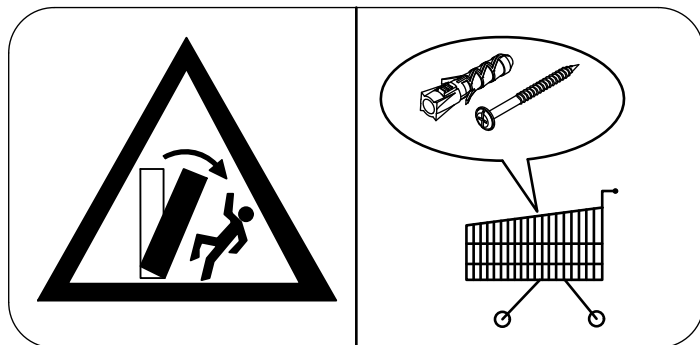
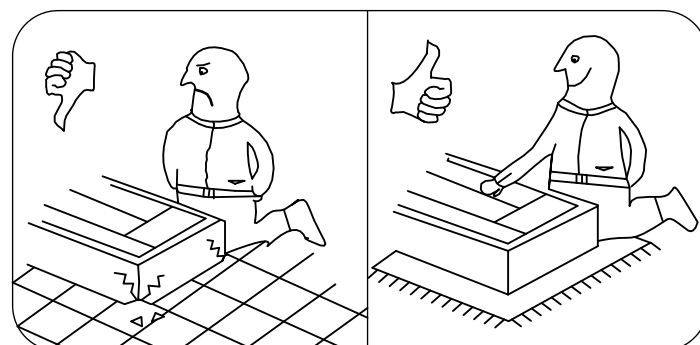
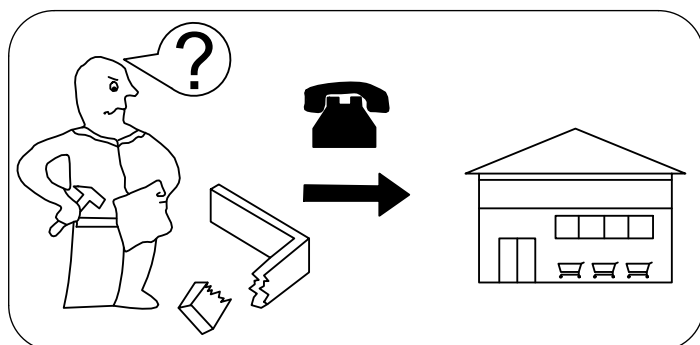
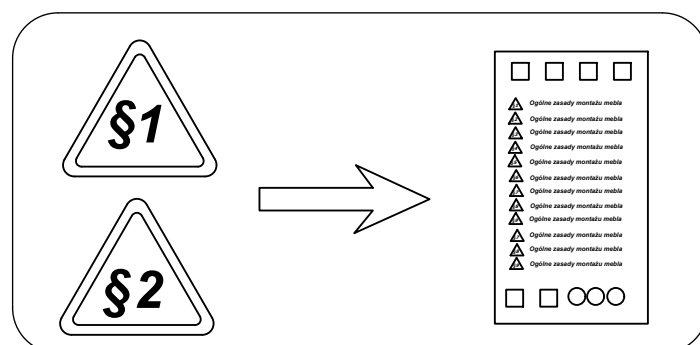
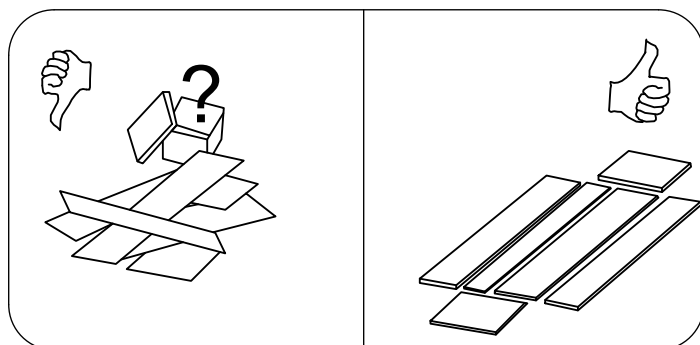
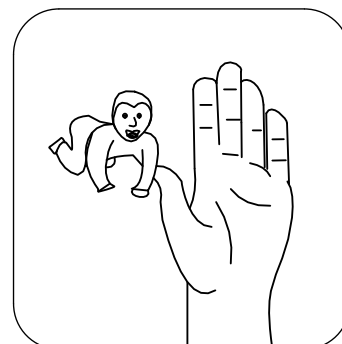
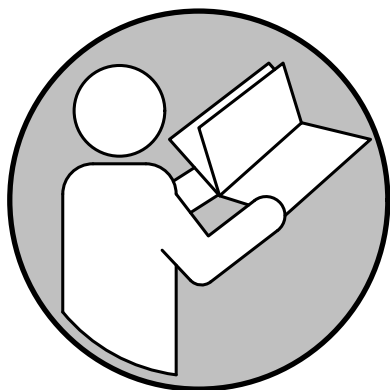
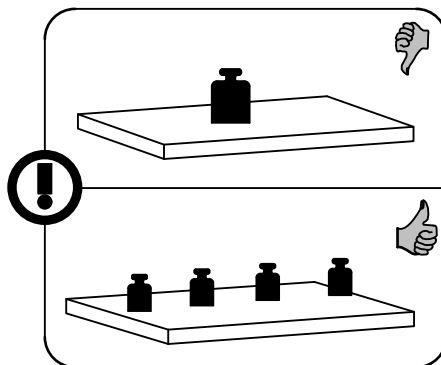
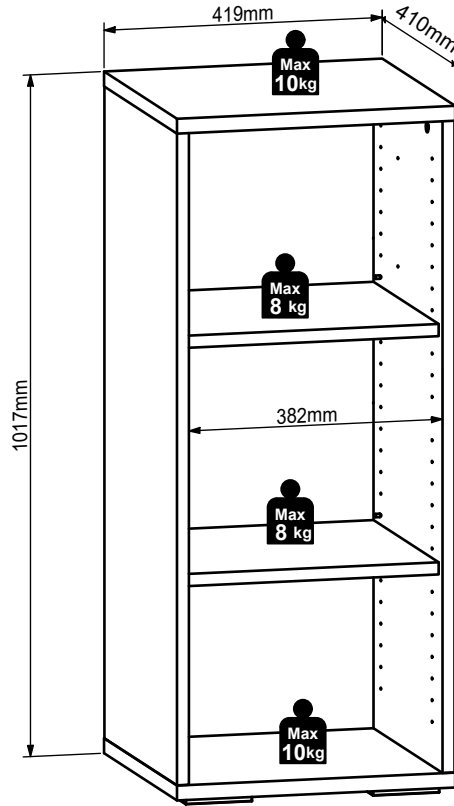


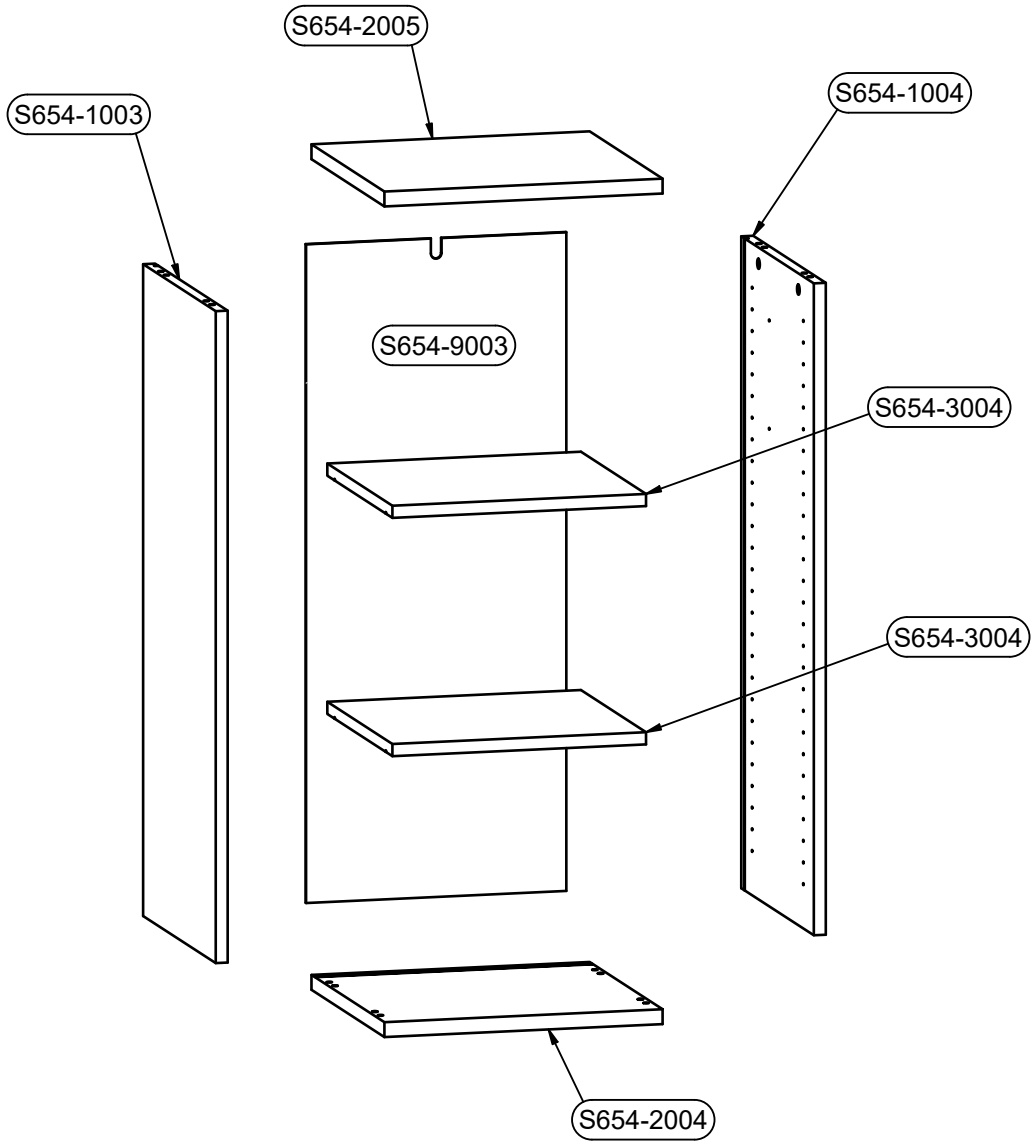
24270316/09





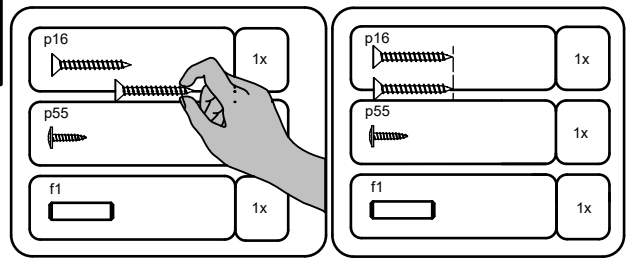


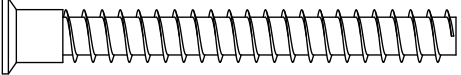
B1	B2	C1	C2	C3	C4	D
S654-1003	-	963	408	18	1	1/1
S654-1004	-	963	408	18	1	1/1
S654-2004	-	419	410	22	1	1/1
S654-2005	-	419	410	22	1	1/1
S654-3004	-	382	366	18	2	1/1
S654-9003	-	973	392	2,5	1	1/1




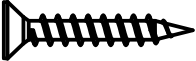



**1:1**

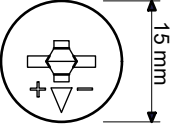
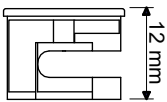
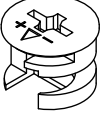


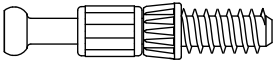
**e8**  
  
 60mm  
**4x**


**f1**  
  
 30mm  
**8x**

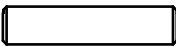
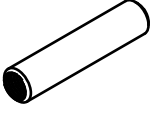
**p36**  
  
 Ø4x25 mm  
**16x**

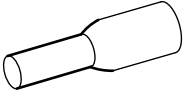
**p51**  
  
 3.5x15mm  
**2x**

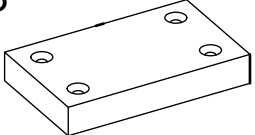
**r1**  
  
 15mm  
  
 12mm  
  
 15x12mm  
**4x**

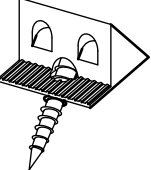
**r42**  
  
**4x**

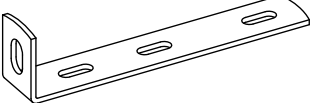
**j45\1**  
  
 M4x12mm  
**4x**

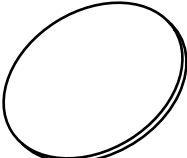
**j45\2**  
  
  
 fi5x23  
**2x**

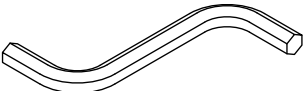
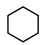
**d47**  
  
**8x**


**k178**  
  
**4x**

**l2**  
  
**8x**

**n14\2**  
  
**1x**

**s68**  
  
 Ø20mm  
**4x**

**z1**  
  
  
 4mm  
**1x**

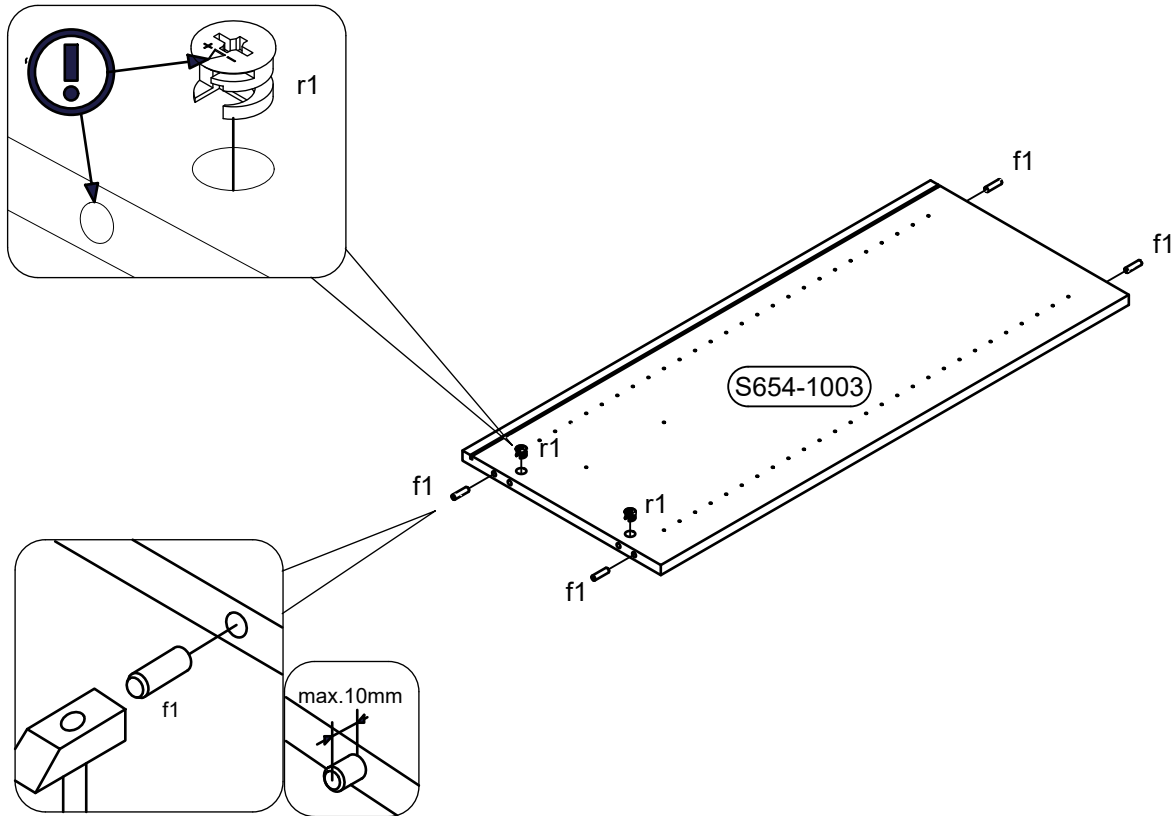
**p55**  
  
 2.8x16mm  
**8x**

~~**1:1**~~

1



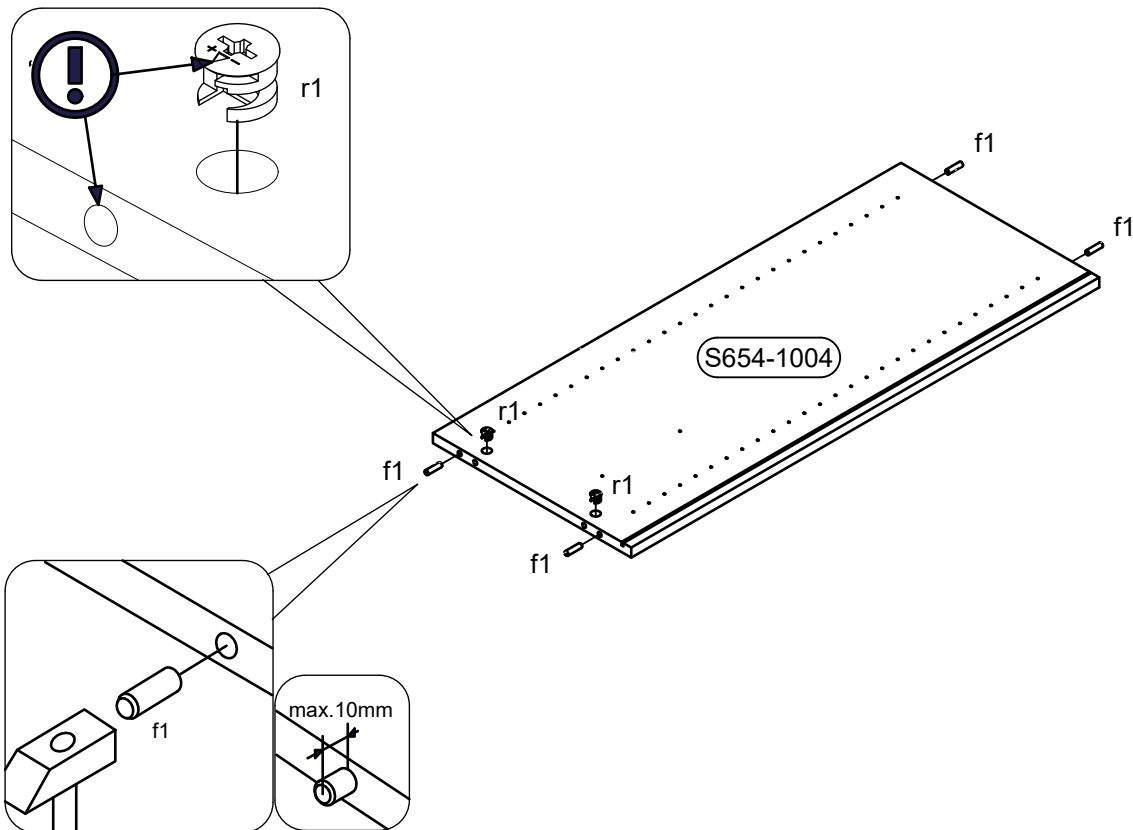
	2x		30mm	4x
--	----	--	------	----



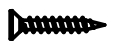
2

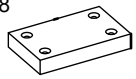


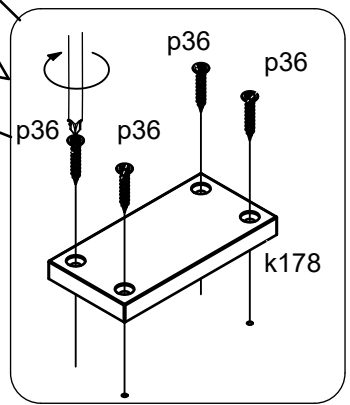
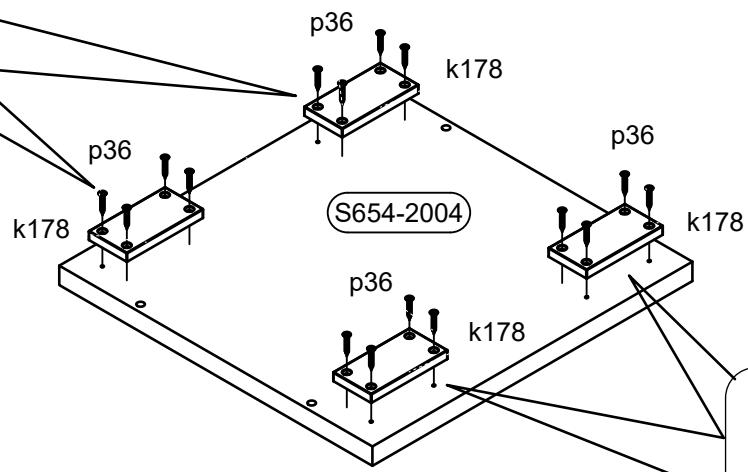
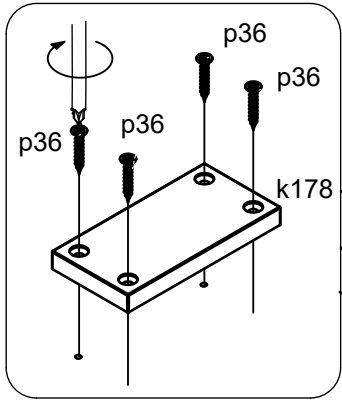
	2x		30mm	4x
--	----	--	------	----




3 §2

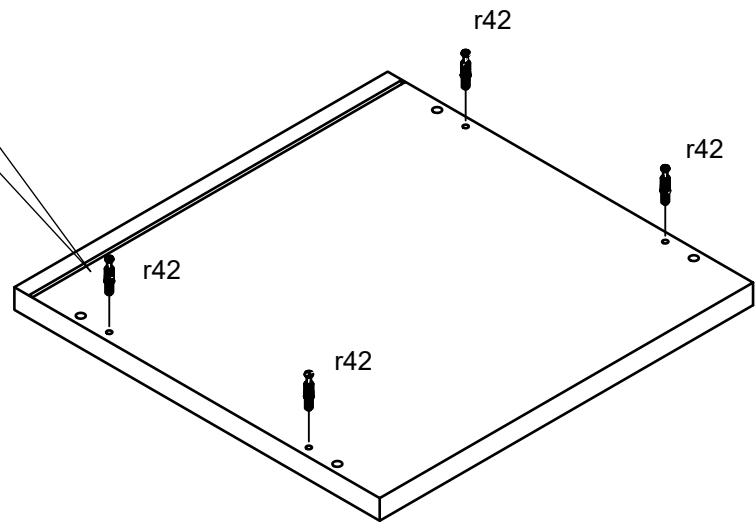
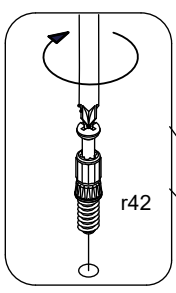
p36		16x
Ø4x25 mm		

k178		4x
------	---	----

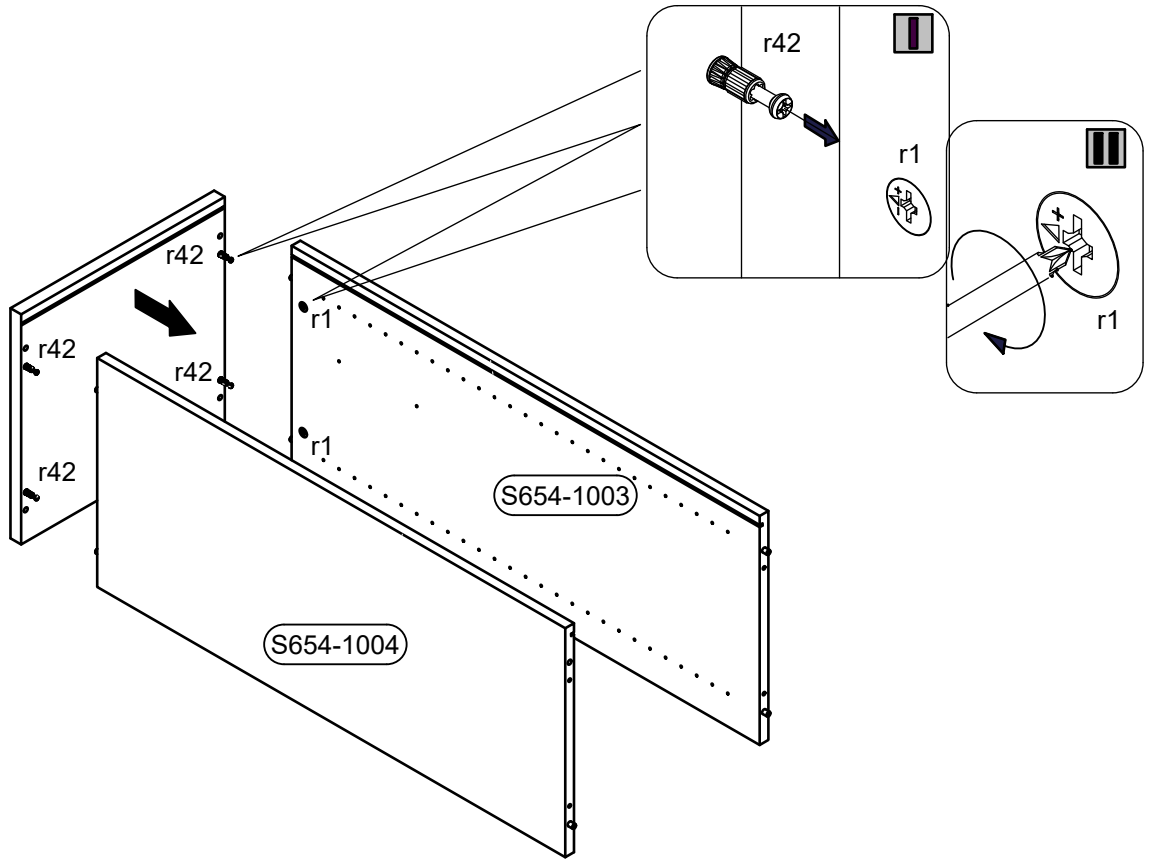


4 §2

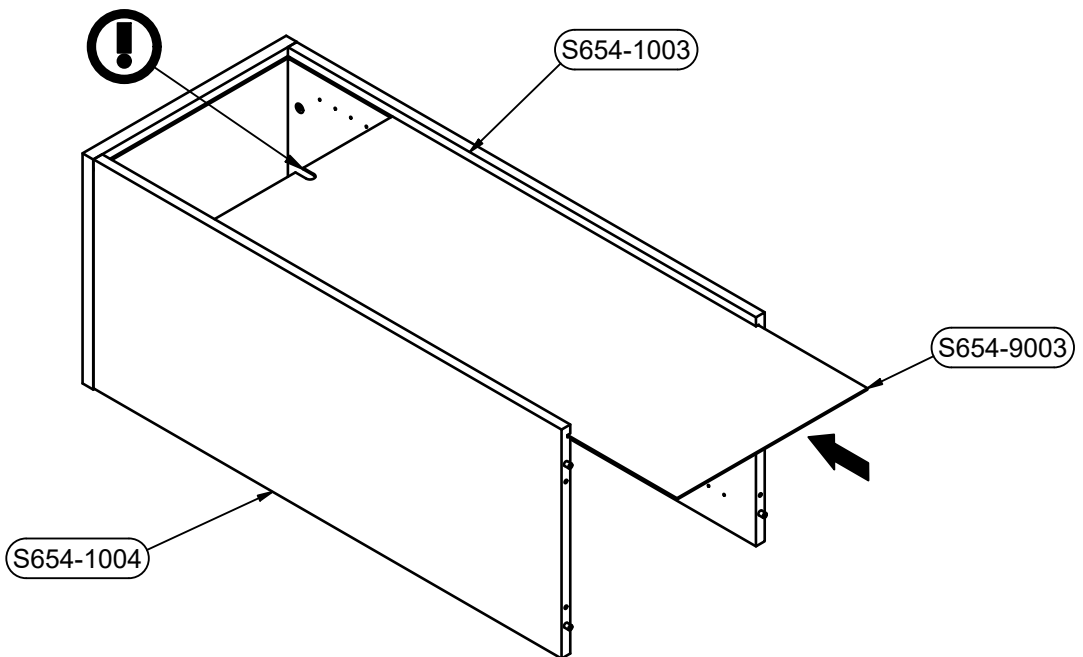
r42		4x
-----	---	----



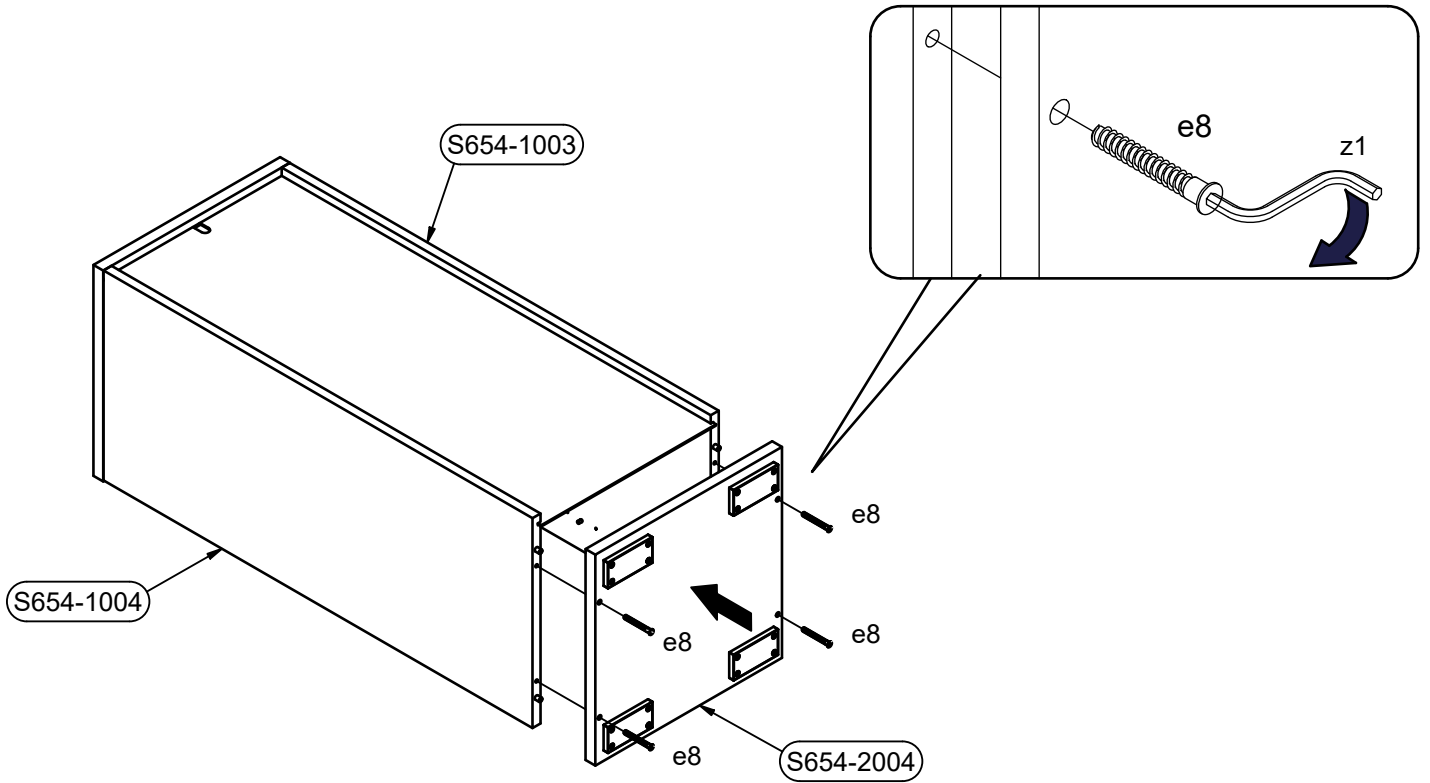
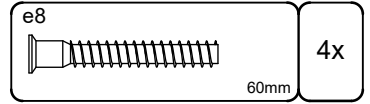
5 



6 

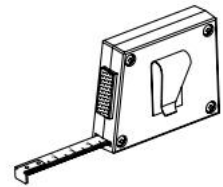
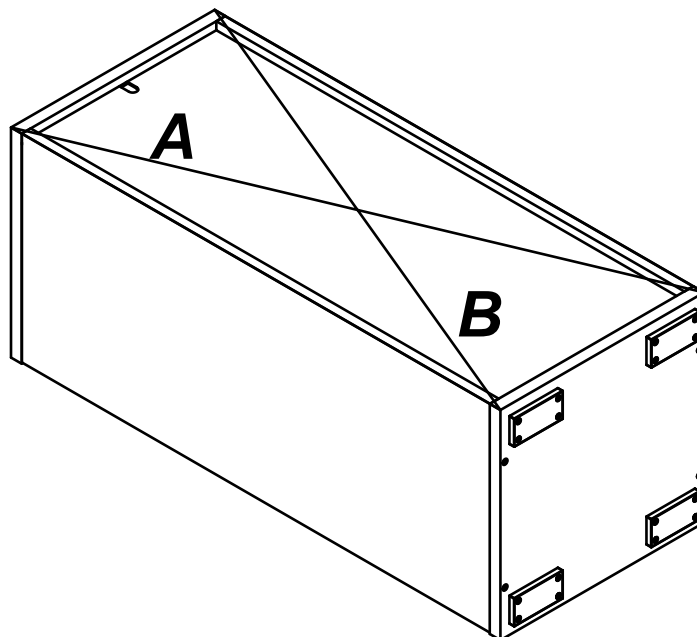


7

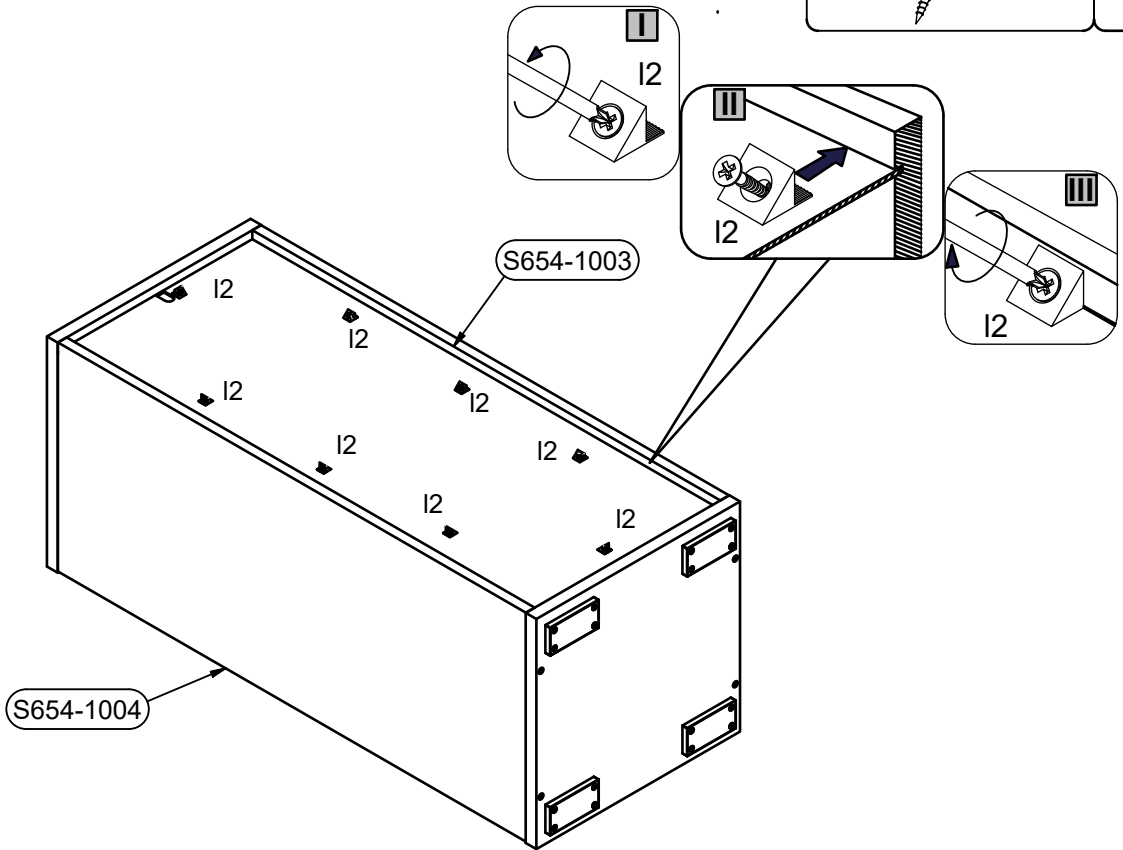
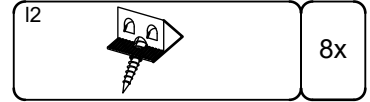


8

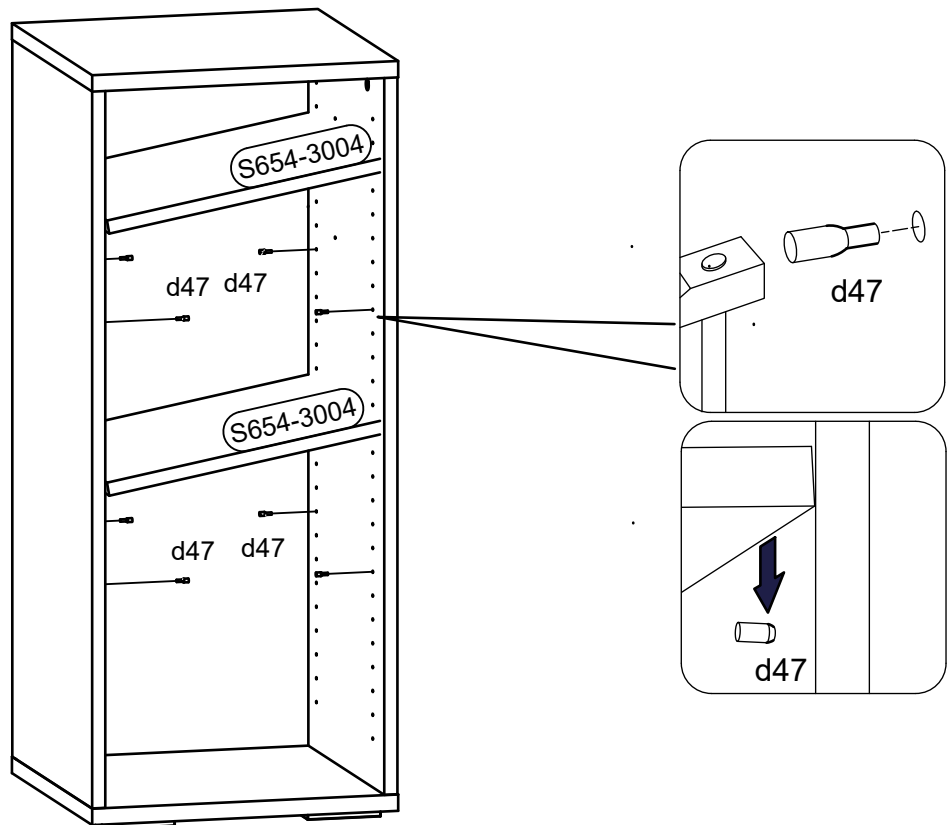
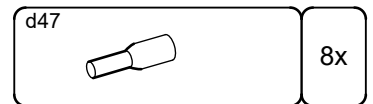
**A=B**



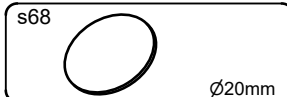
9



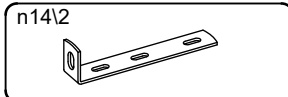
10



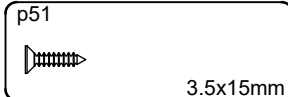
11



4x



1x



2x

