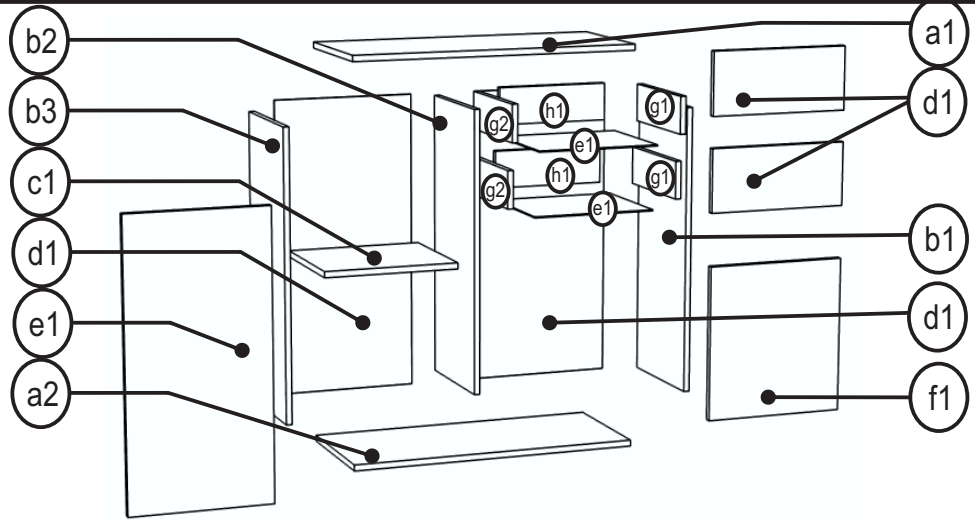
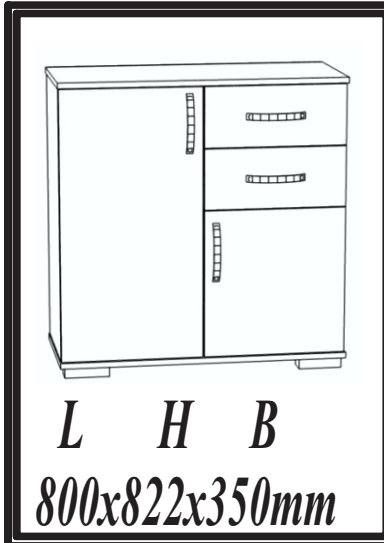
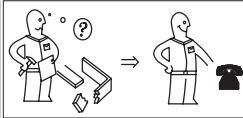
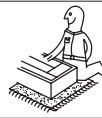
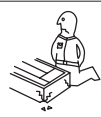
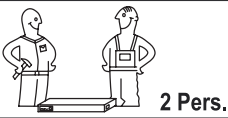
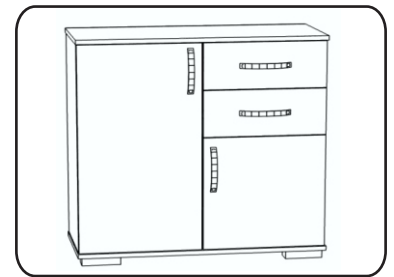


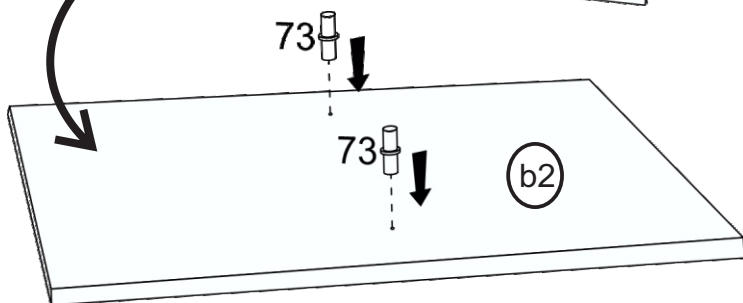
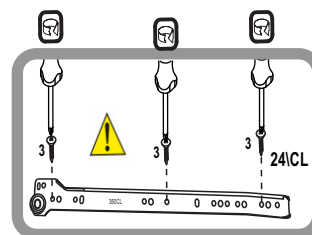
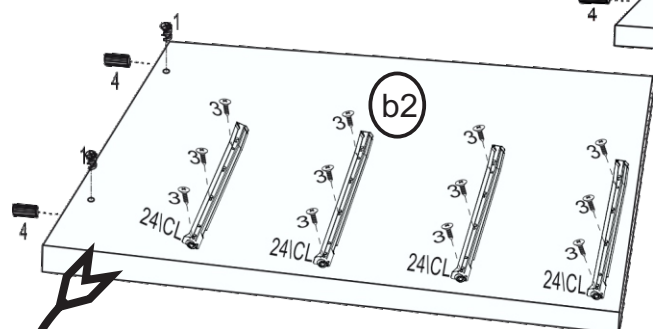
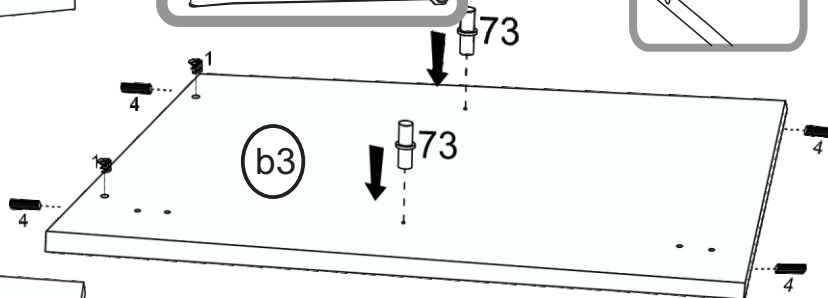
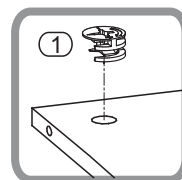
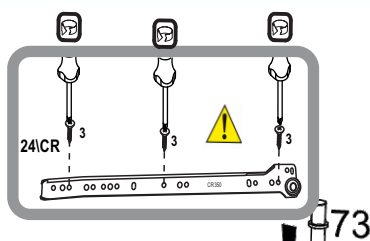
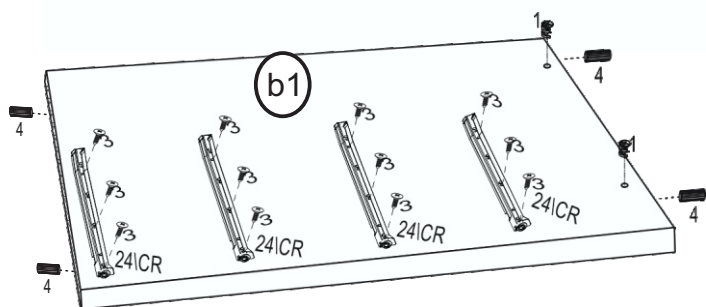
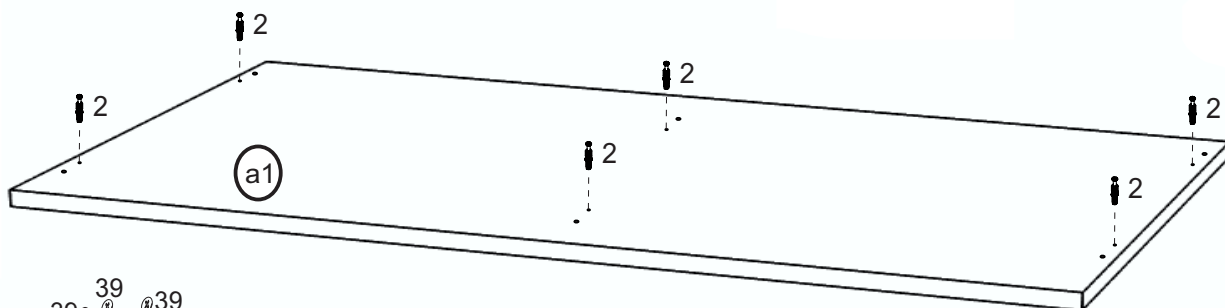
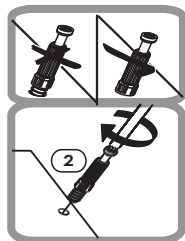
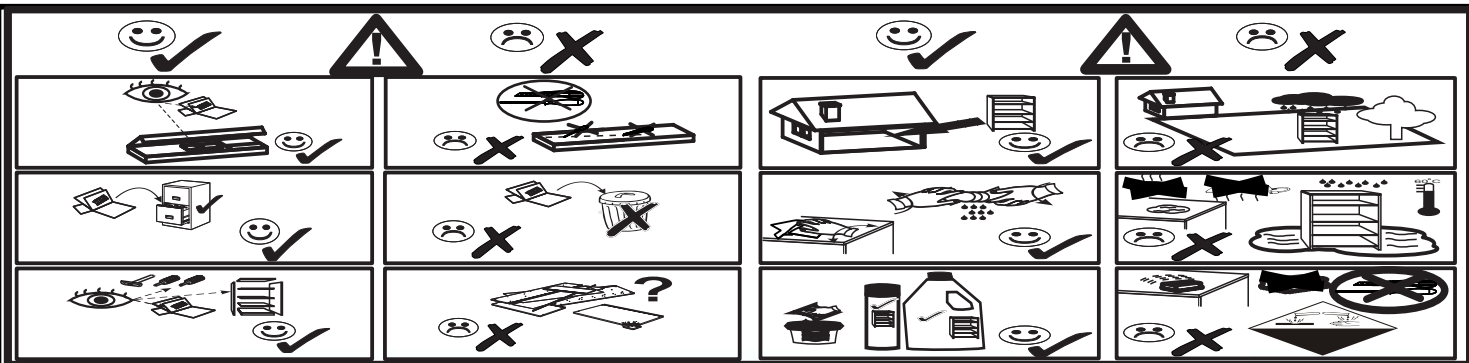
# GO 4

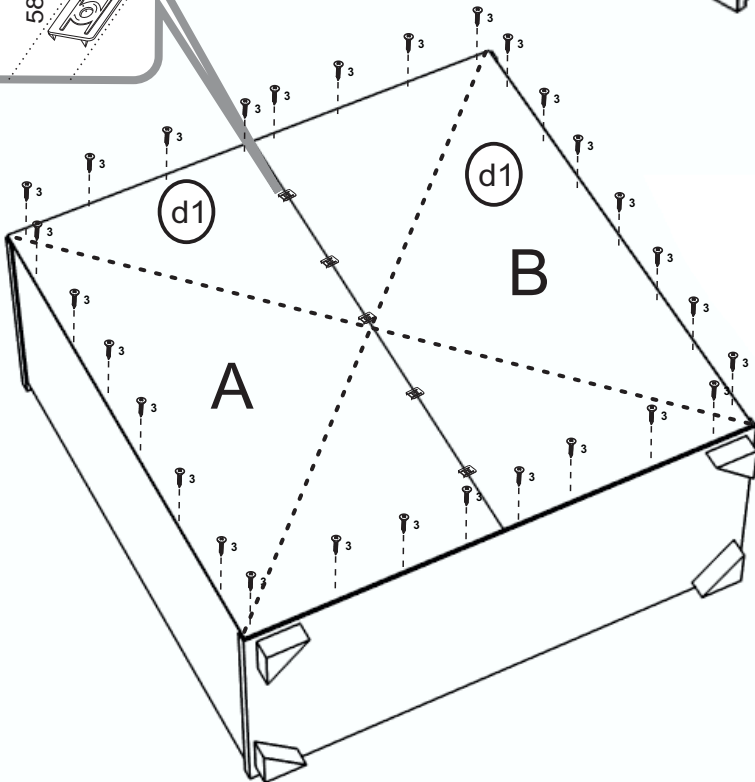
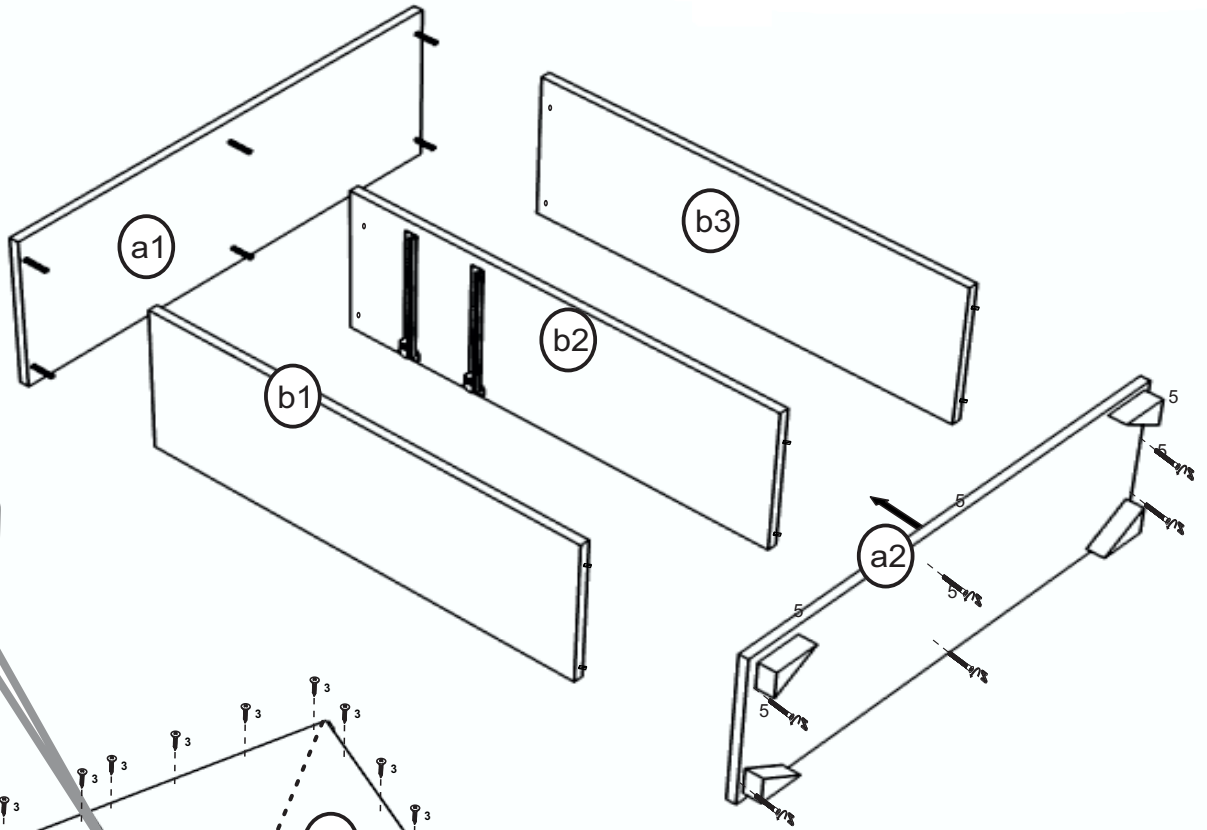
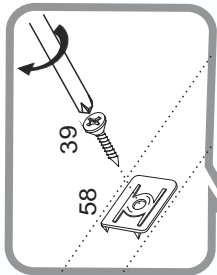
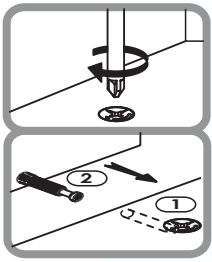
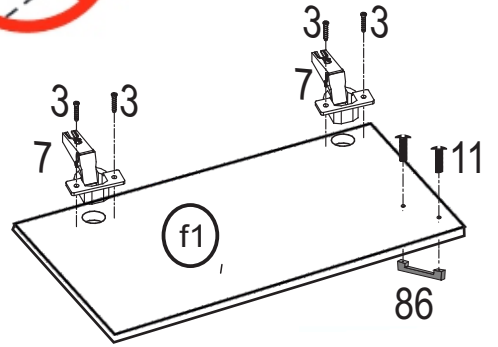
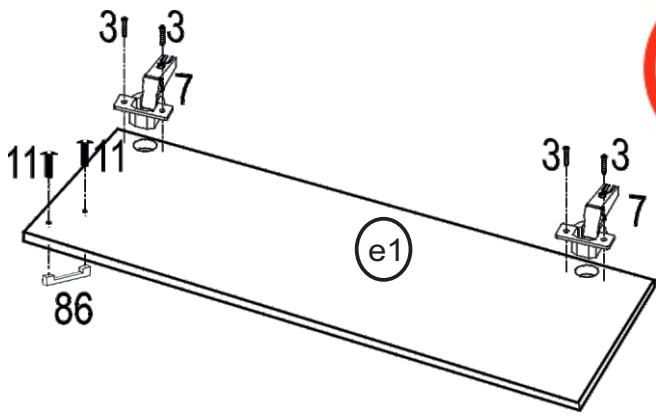
05860114/02



1	a1	800mm x 350mm x 16mm	1/1
2	a2	800mm x 350mm x 16mm	1/1
3	b1	760mm x 330mm x 16mm	1/1
4	b2	760mm x 330mm x 16mm	1/1
5	b3	760mm x 330mm x 16mm	1/1
6	c1	374mm x 330mm x 16mm	1/1
7	d1	756mm x 396mm x 16mm	1/1
8	e1	410mm x 396mm x 16mm	1/1
9	g1	300mm x 100mm x 16mm	2/1
10	g2	300mm x 100mm x 16mm	2/1
11	h1	317mm x 100mm x 16mm	2/1
12	i1	790mm x 396mm x 3.2mm	2/1
13	j1	347mm x 305mm x 3.2mm	2/1

<b>1</b>  ø15x12mm x10	<b>2</b>  ø6x45/34mm x10	<b>3</b>  ø3.5x16mm x60	<b>4</b>  ø8x35mm x16	<b>59</b>  75x75x30mm x4
<b>00</b>  4mm x1	<b>7</b>  x4	<b>86</b>  96 mm x4	<b>10</b>  ø 6.3x11 mm x8	<b>39</b>  3.5x25 x17
<b>58</b>  x4	<b>5</b>  x14	<b>73</b>  x4	<b>24/DL</b>  300 mm x2	<b>24/RL</b>  300 mm x2
<b>24/CR</b>  300 mm x2	<b>24/CL</b>  300 mm x2	<b>11</b>  M4x20mm x8	<b>43</b>  x1	<b>16</b>  ø8x50mm x1
<b>16</b>  6x80mm x1	<b>58</b>  x5			





**A=B**

