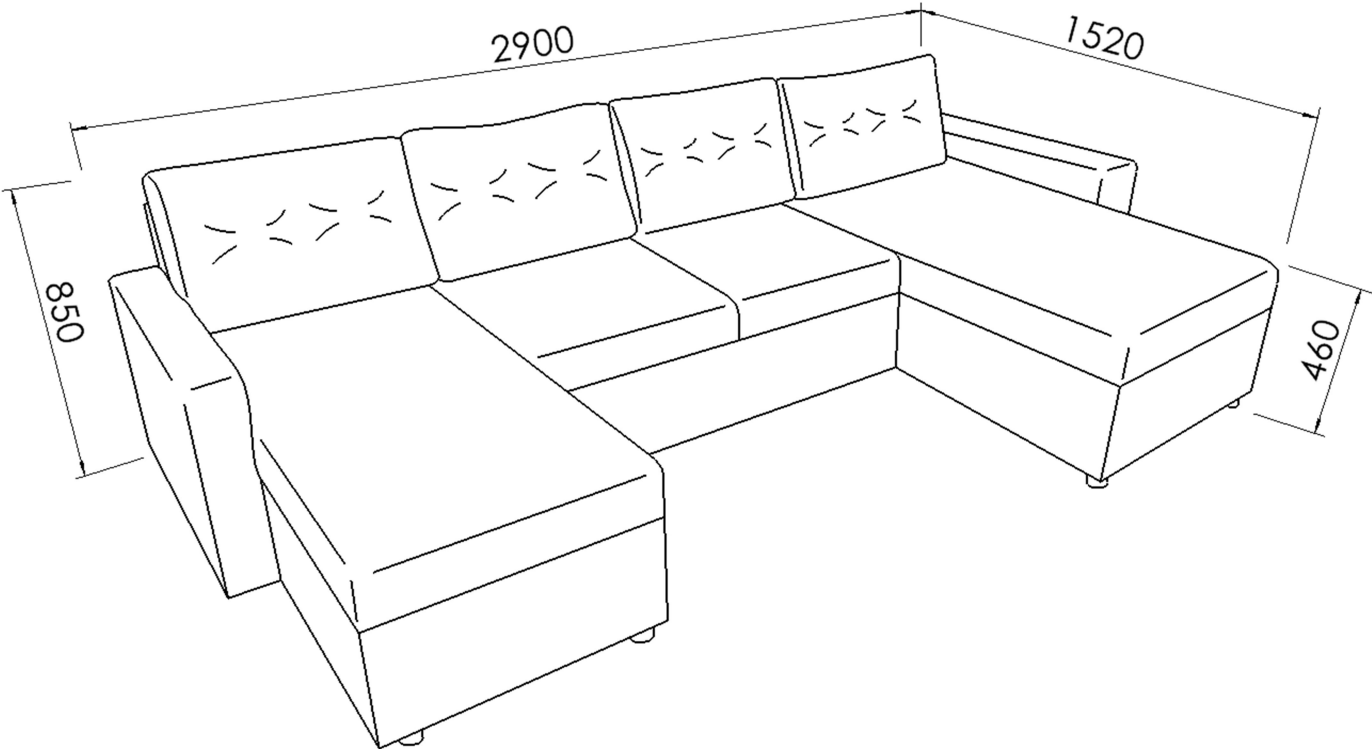
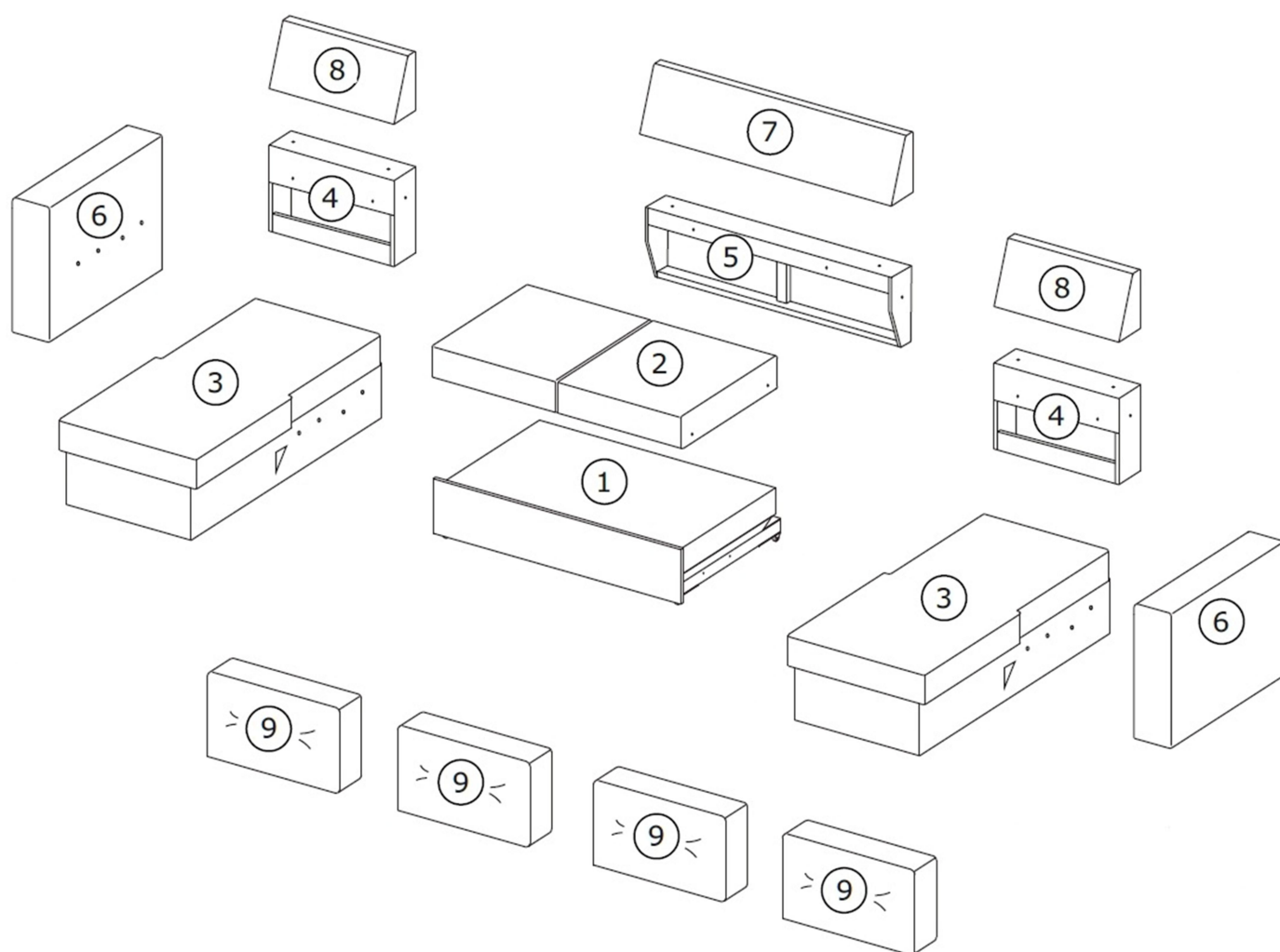


# U-shape Sofa Ribera Plus



Assembly instructions and icons:

- Two human figures representing the number of people required for assembly.
- A circular icon with a clock face and the text "60 min", indicating the estimated assembly time.
- An icon of a screwdriver with a plus sign, indicating that a screwdriver is required for assembly.
- An icon of a power drill with a large 'X' over it, indicating that a power drill is not required for assembly.



M8 X 50 mm

Ø8 X Ø24 mm

Ø8 X Ø13 mm

M8 X 47 mm

Ø45 X 35 mm

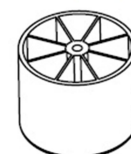
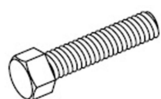
A X 11

B X 26

C X 14

D X 6

E X 10



32 mm

M8 X 70 mm

50 X 20 X 35 mm

Ø40/45 mm

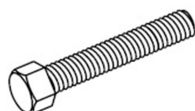
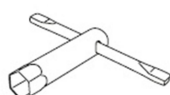
F X 18

G X 2

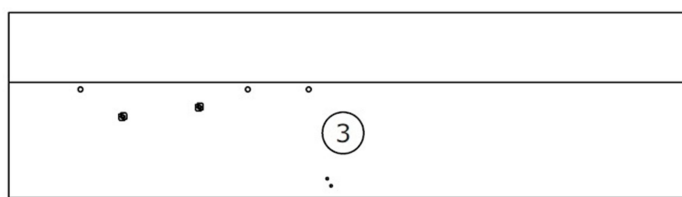
H X 2

J X 4

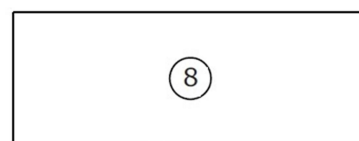
K X 10



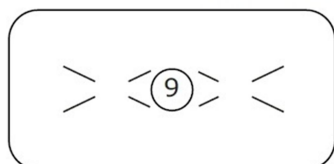
## Box 1/4:



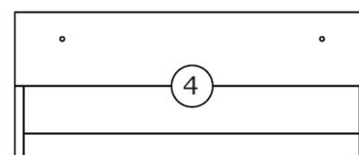
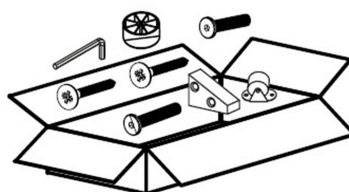
1400 x 650 x 400 mm



650 x 350 x 130 mm

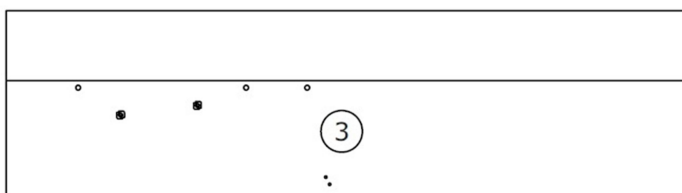


660 x 430 x 140 mm

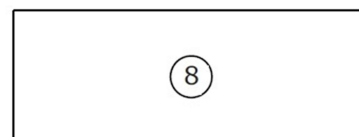


650 x 350 x 130 mm

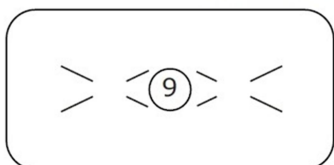
## Box 2/4:



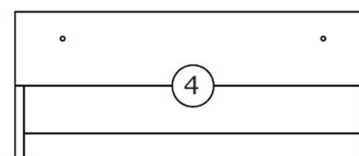
1400 x 650 x 400 mm



650 x 350 x 130 mm

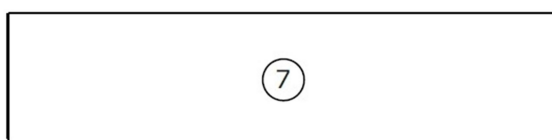


660 x 430 x 140 mm

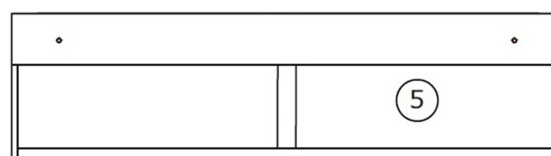


650 x 350 x 130 mm

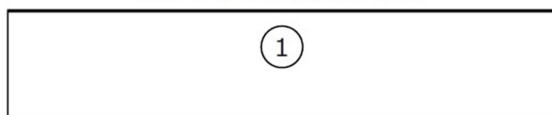
## Box 3/4:



1290 x 350 x 130 mm

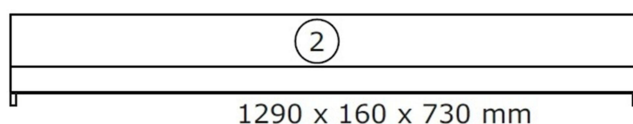


1290 x 350 x 130 mm

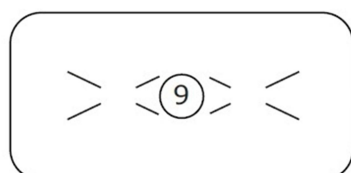


1280 x 770 x 260 mm

## Box 4/4:

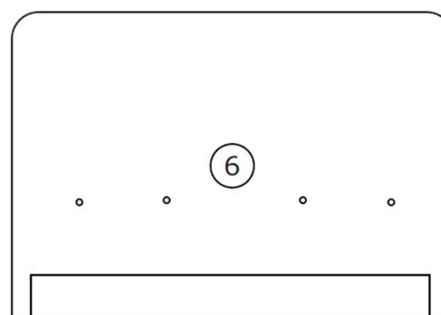


1290 x 160 x 730 mm



660 x 430 x 140 mm

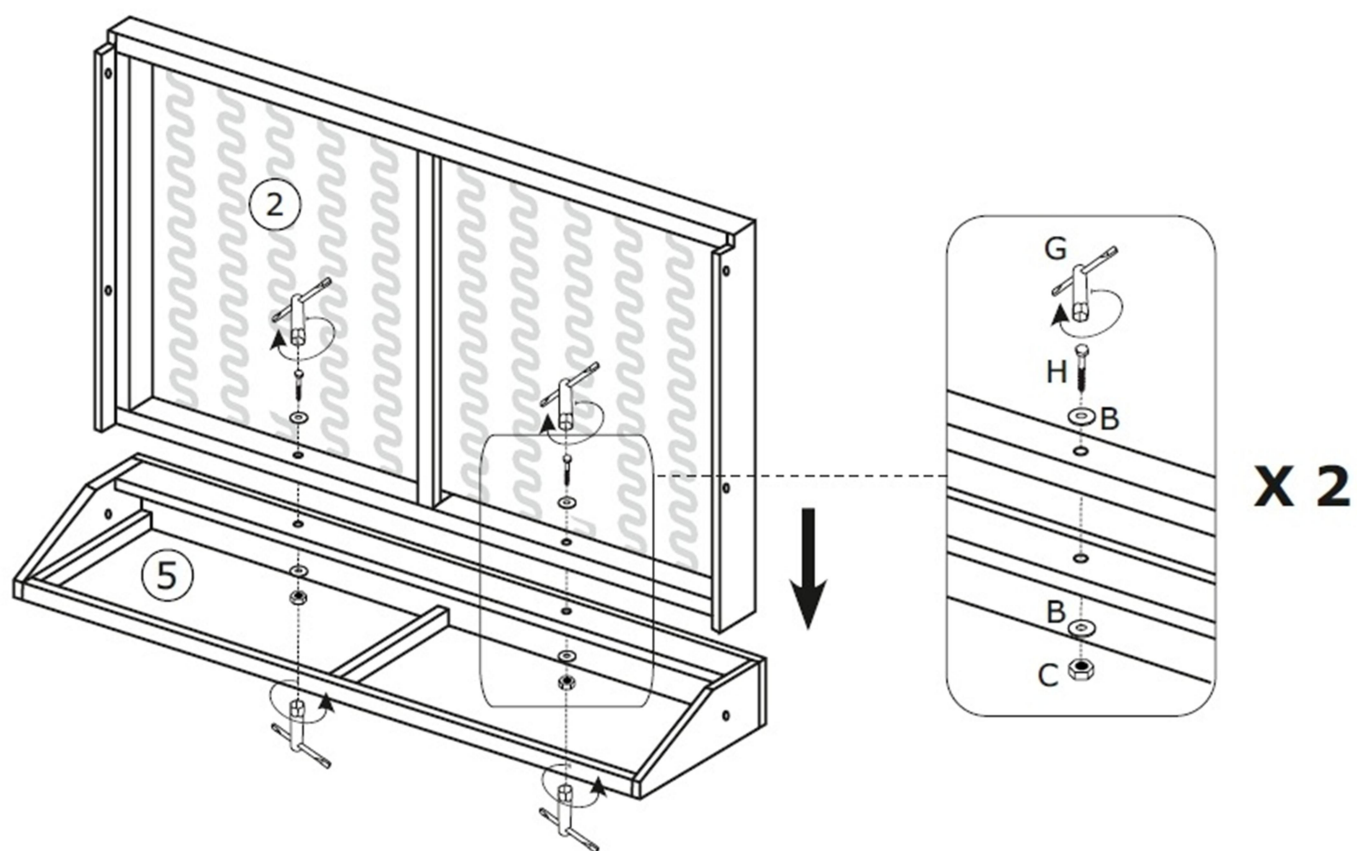
**X 2**



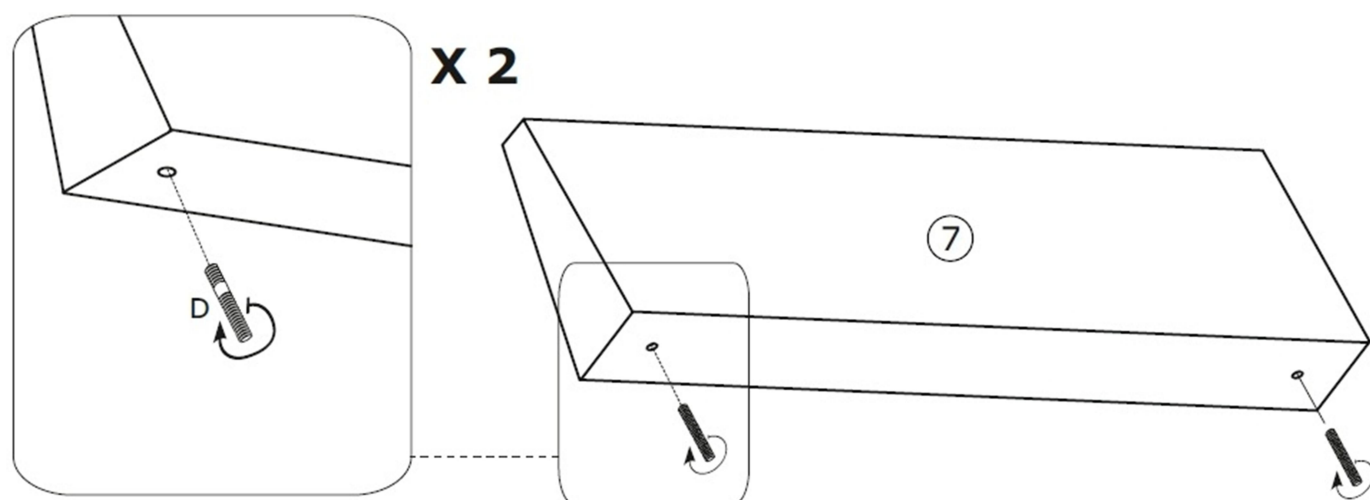
850 x 550 x 140 mm

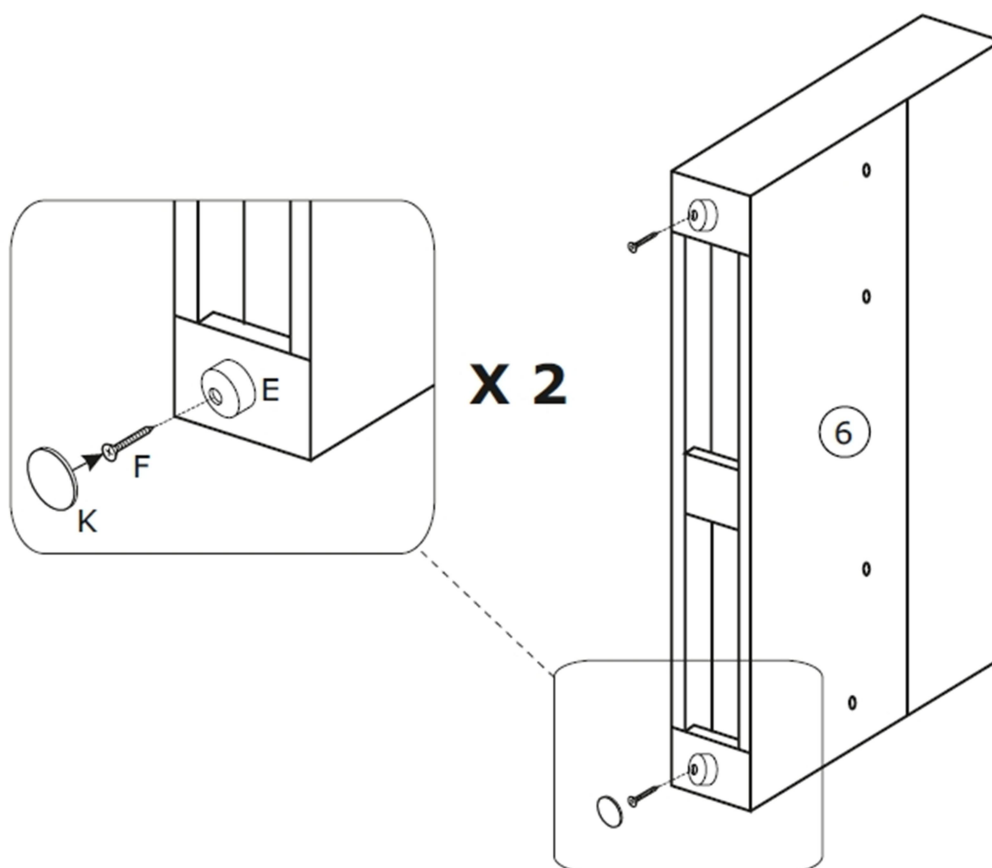
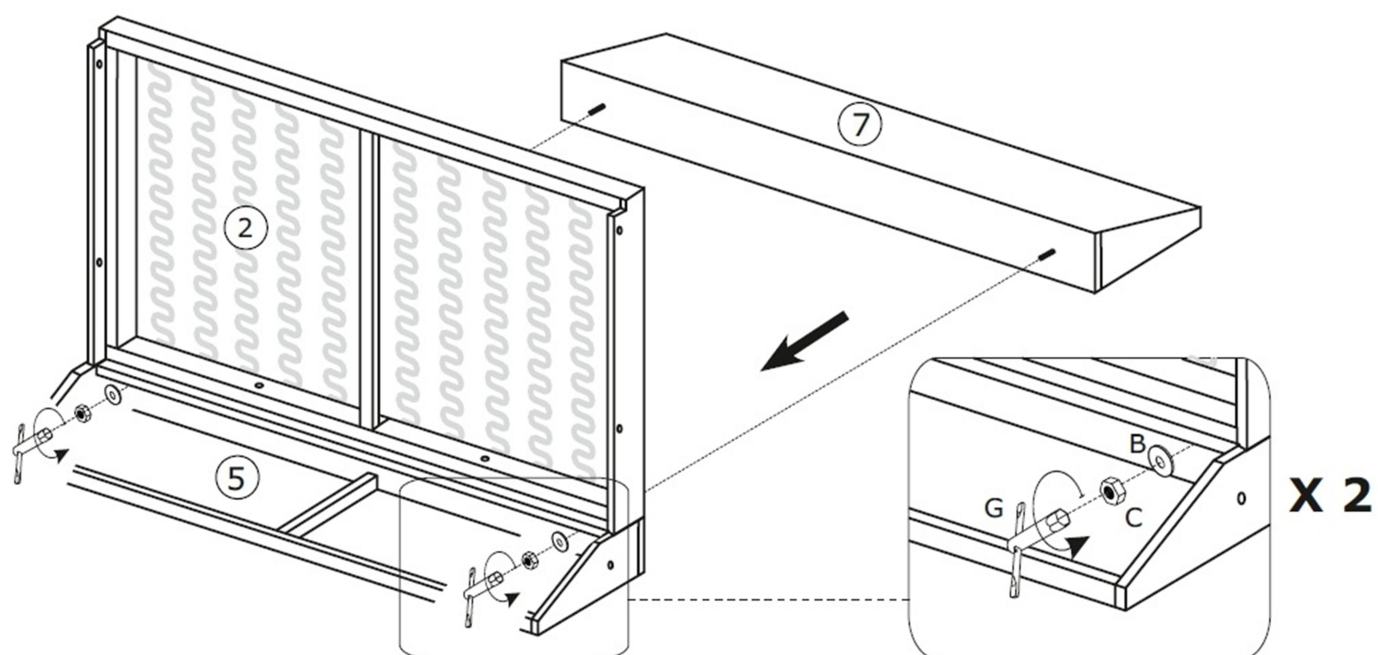
**X 2**

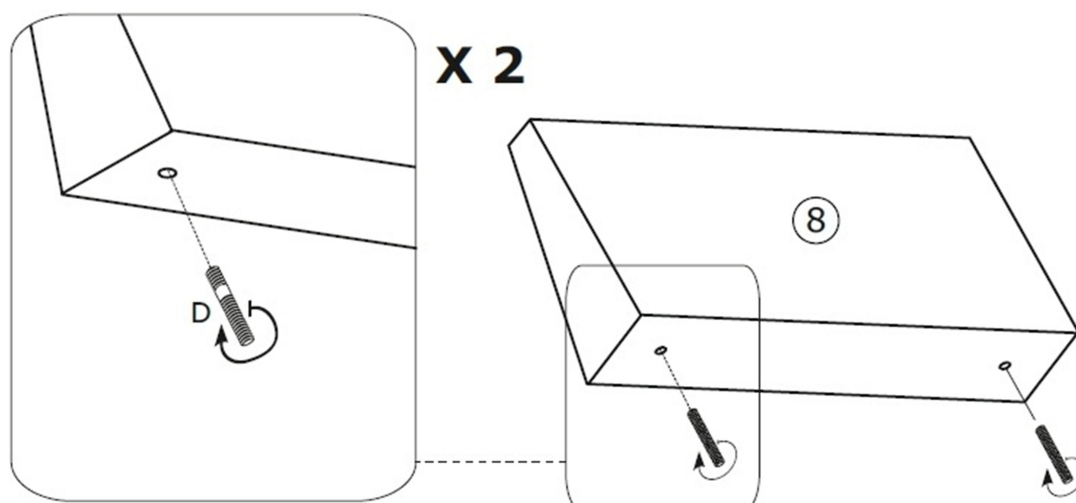
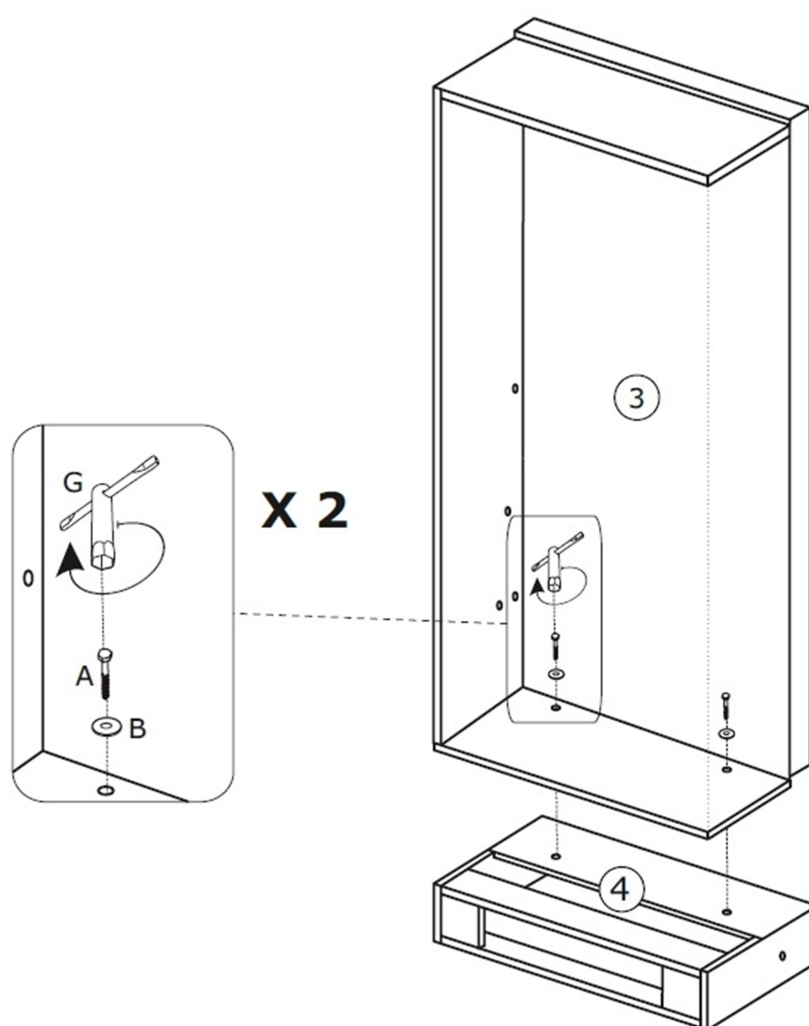
1



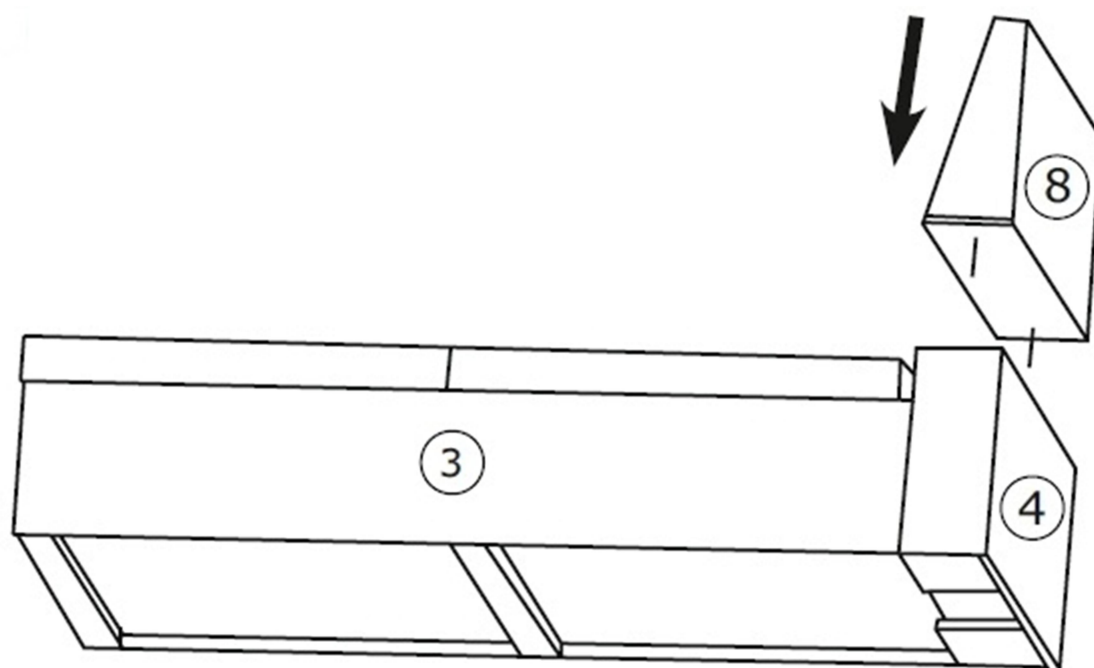
2



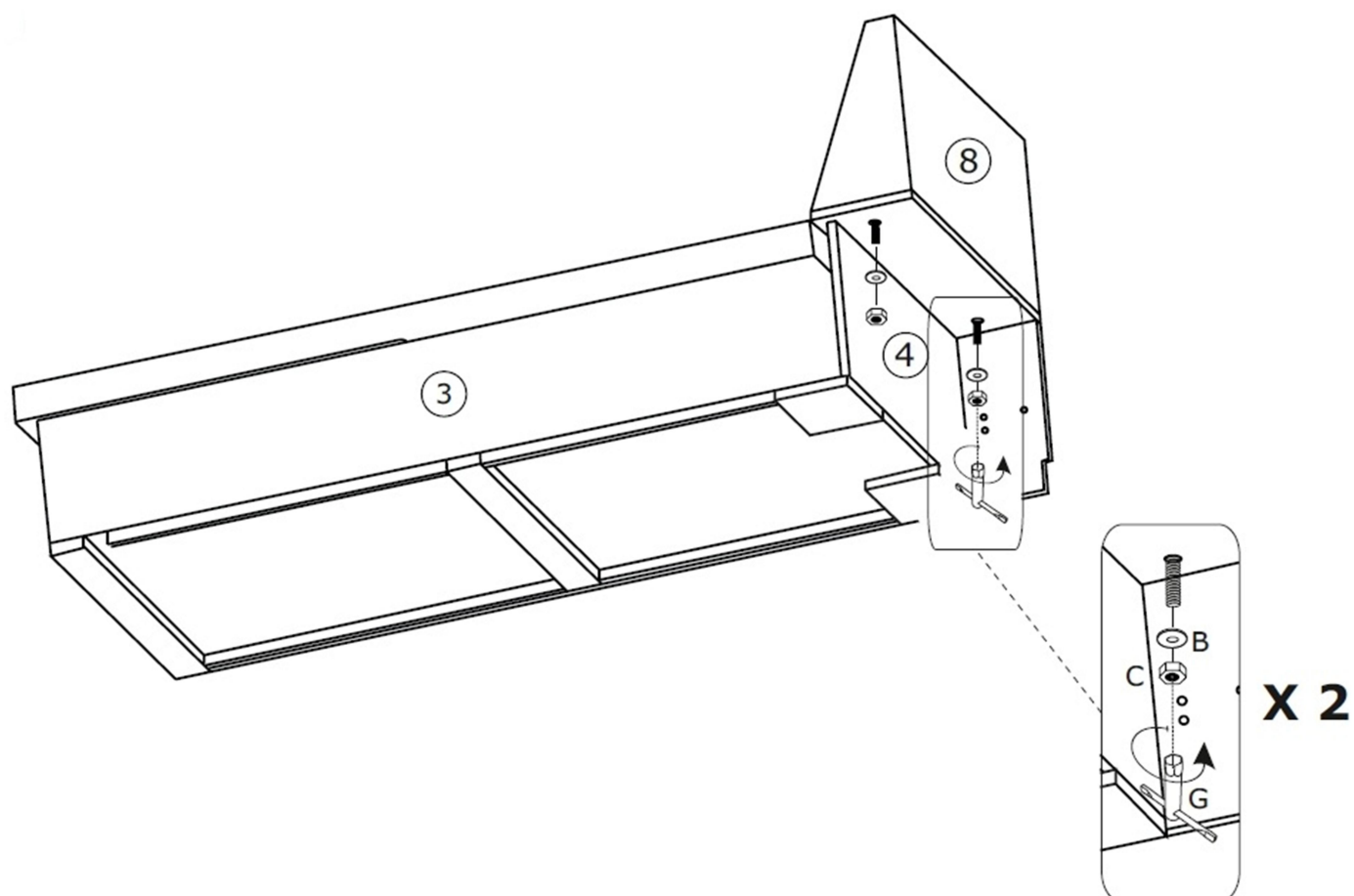


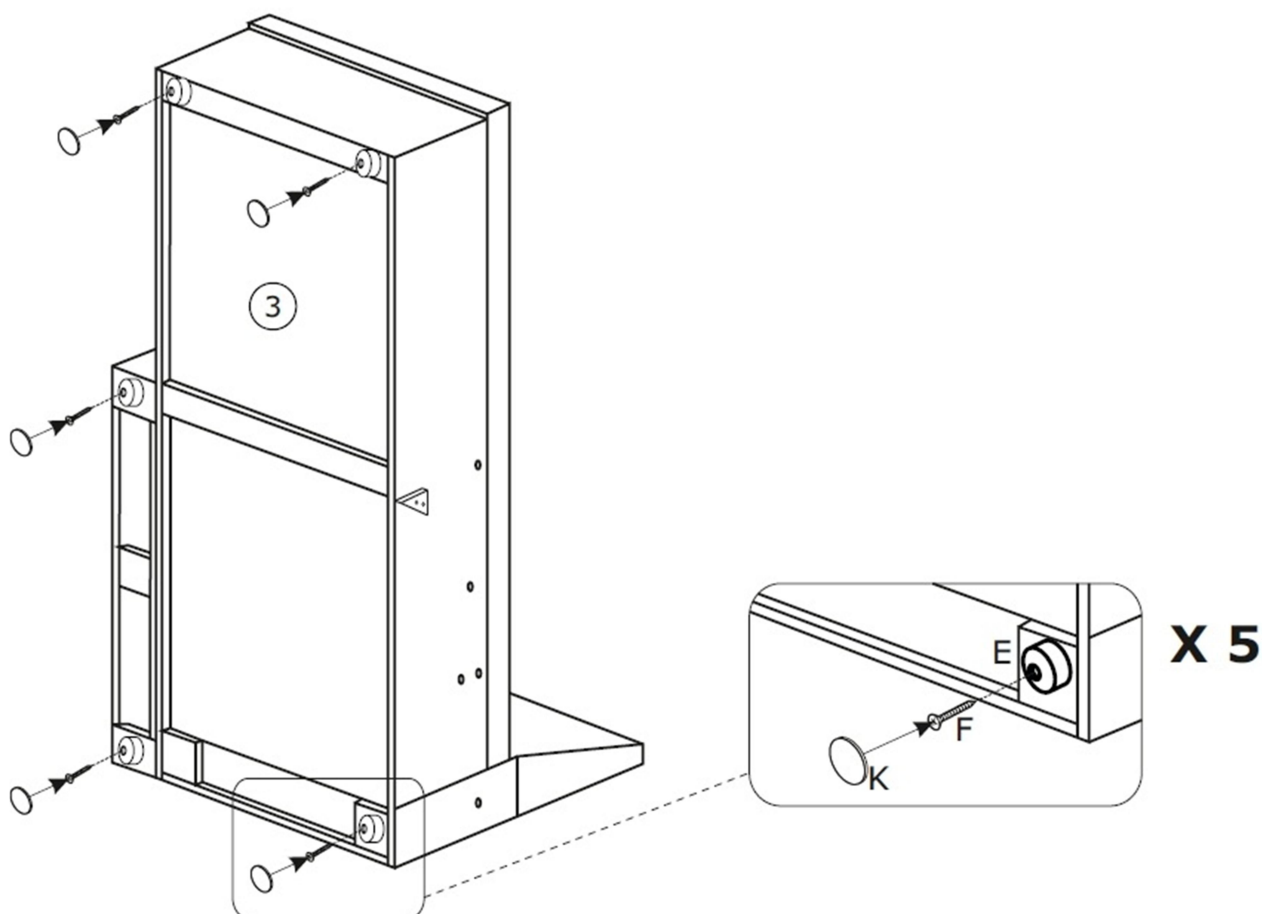
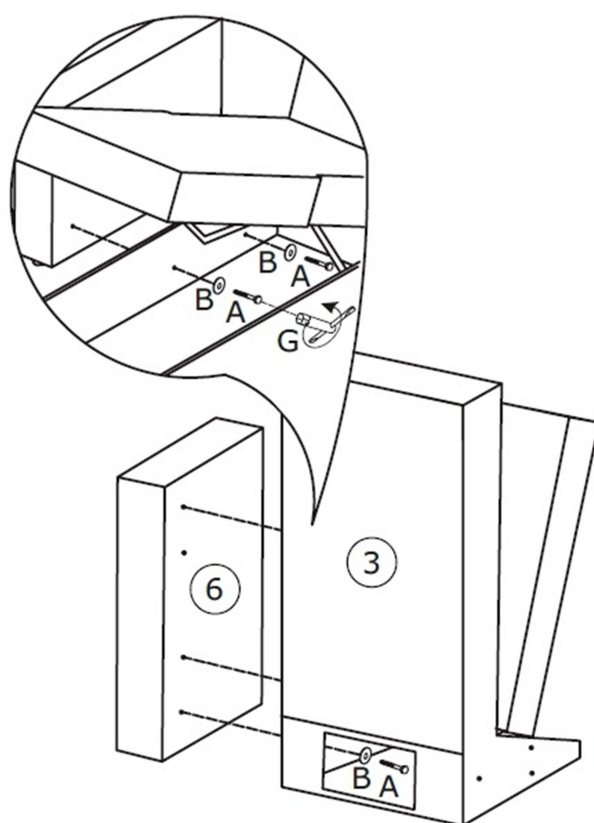


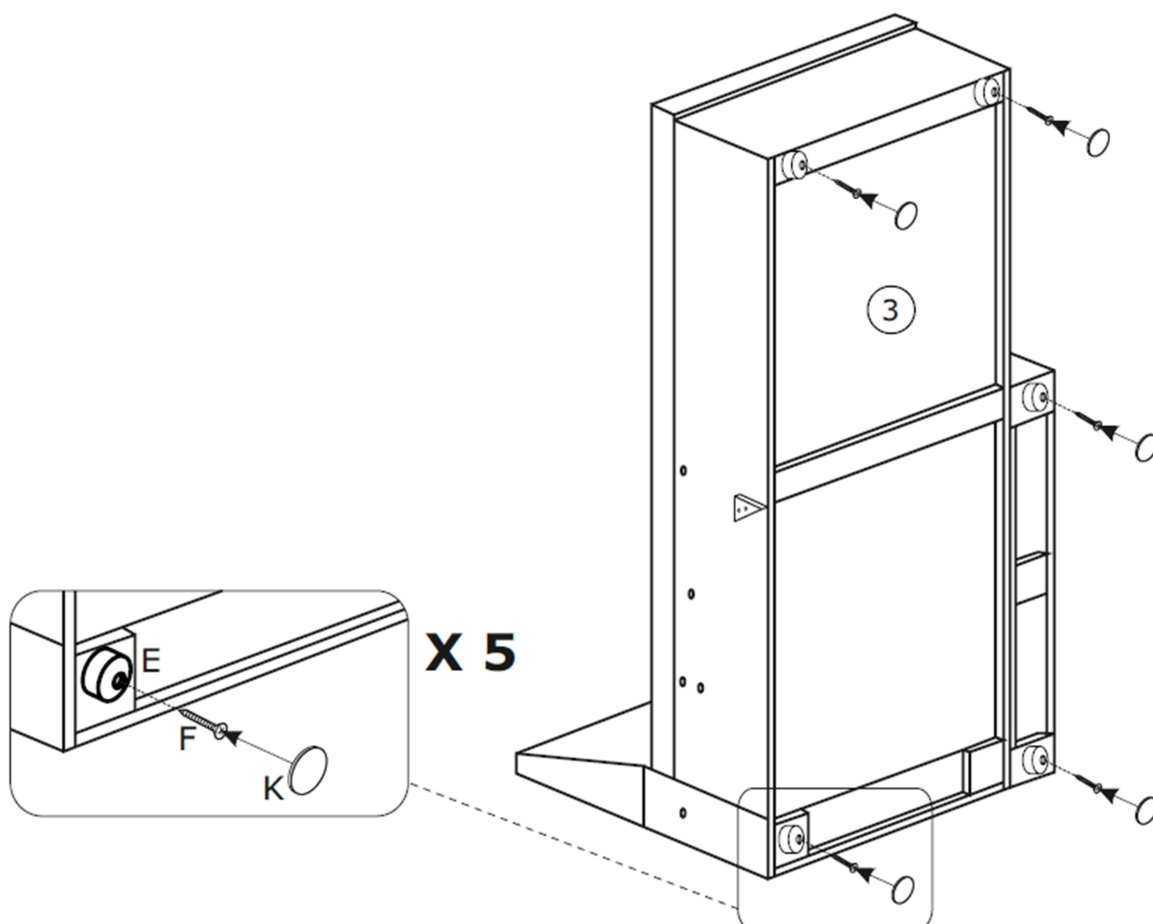
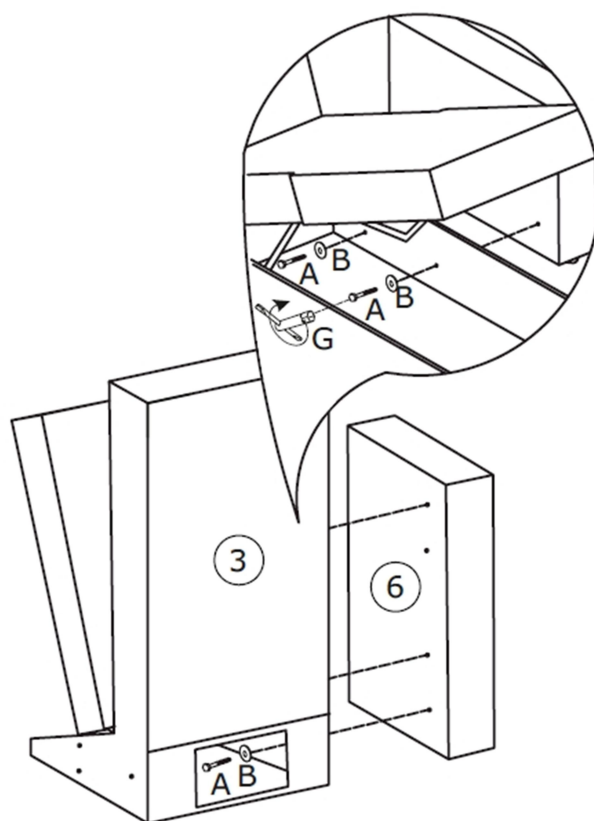
7

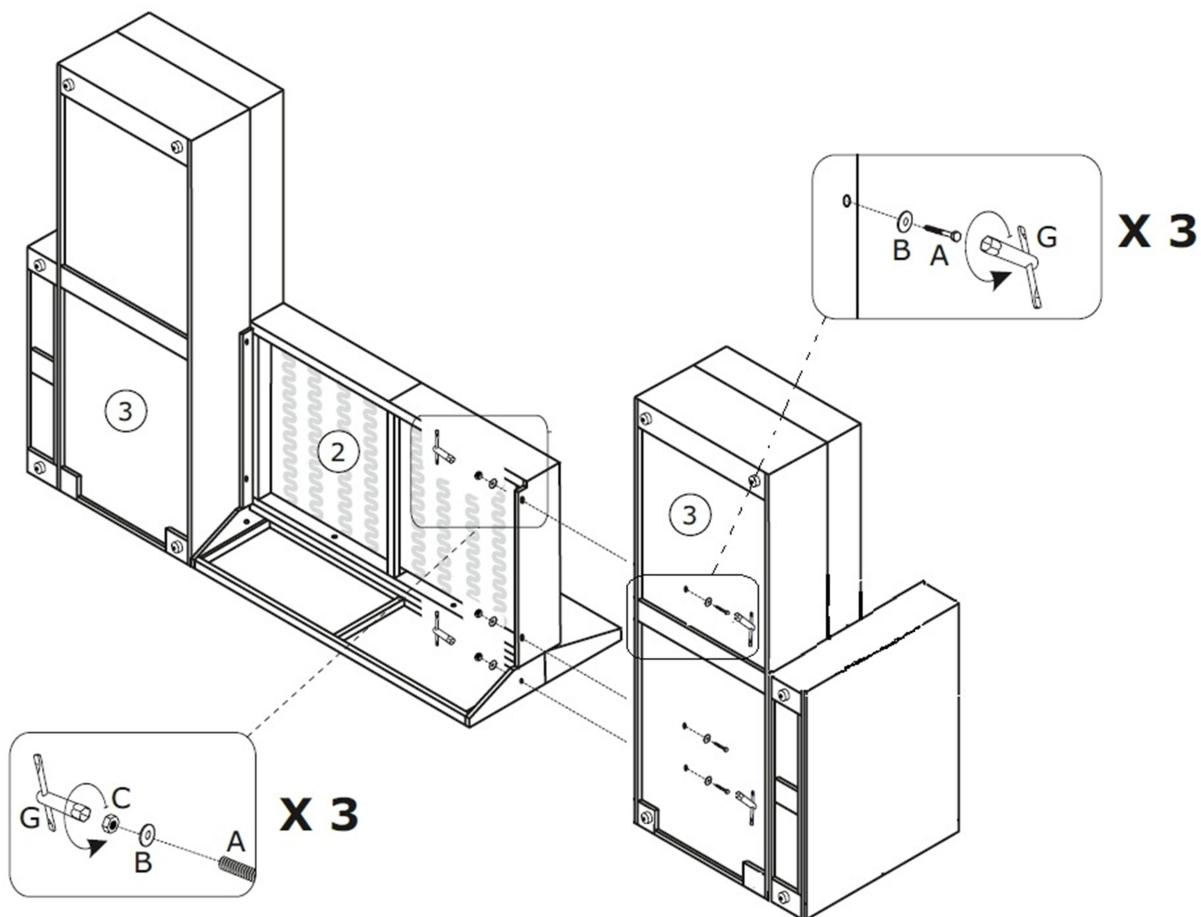
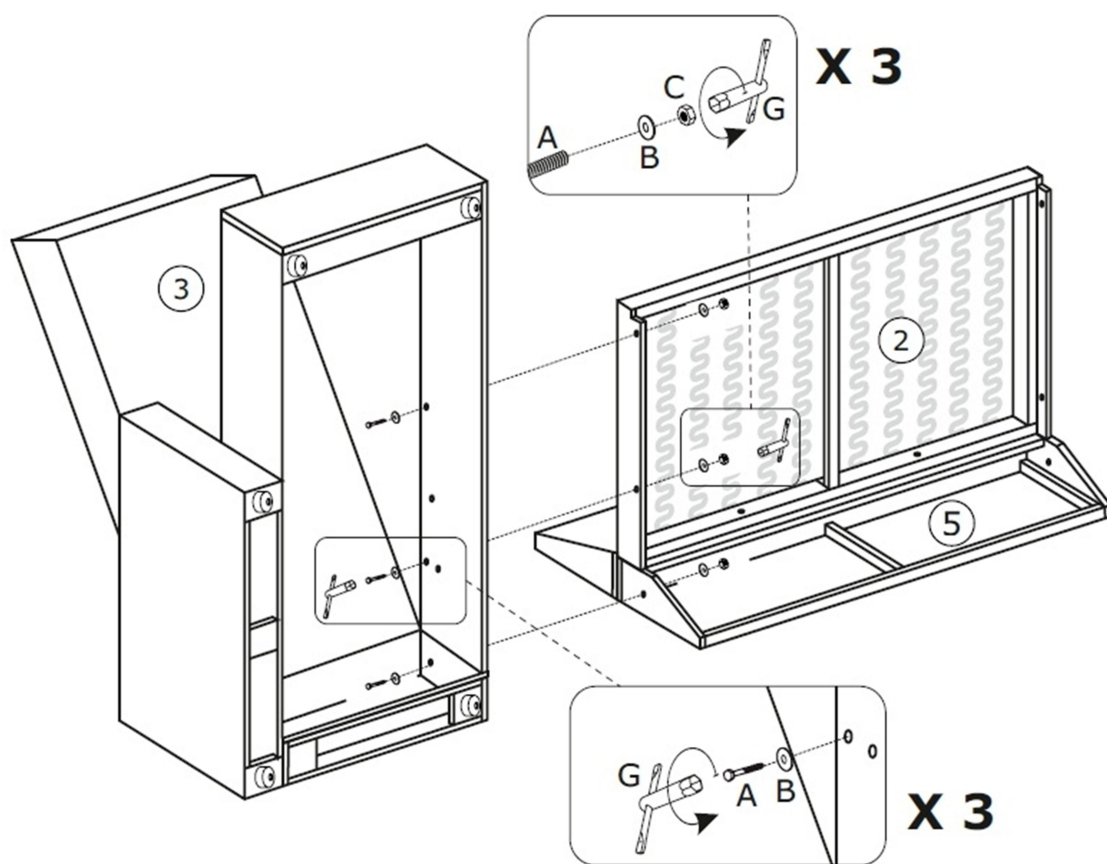


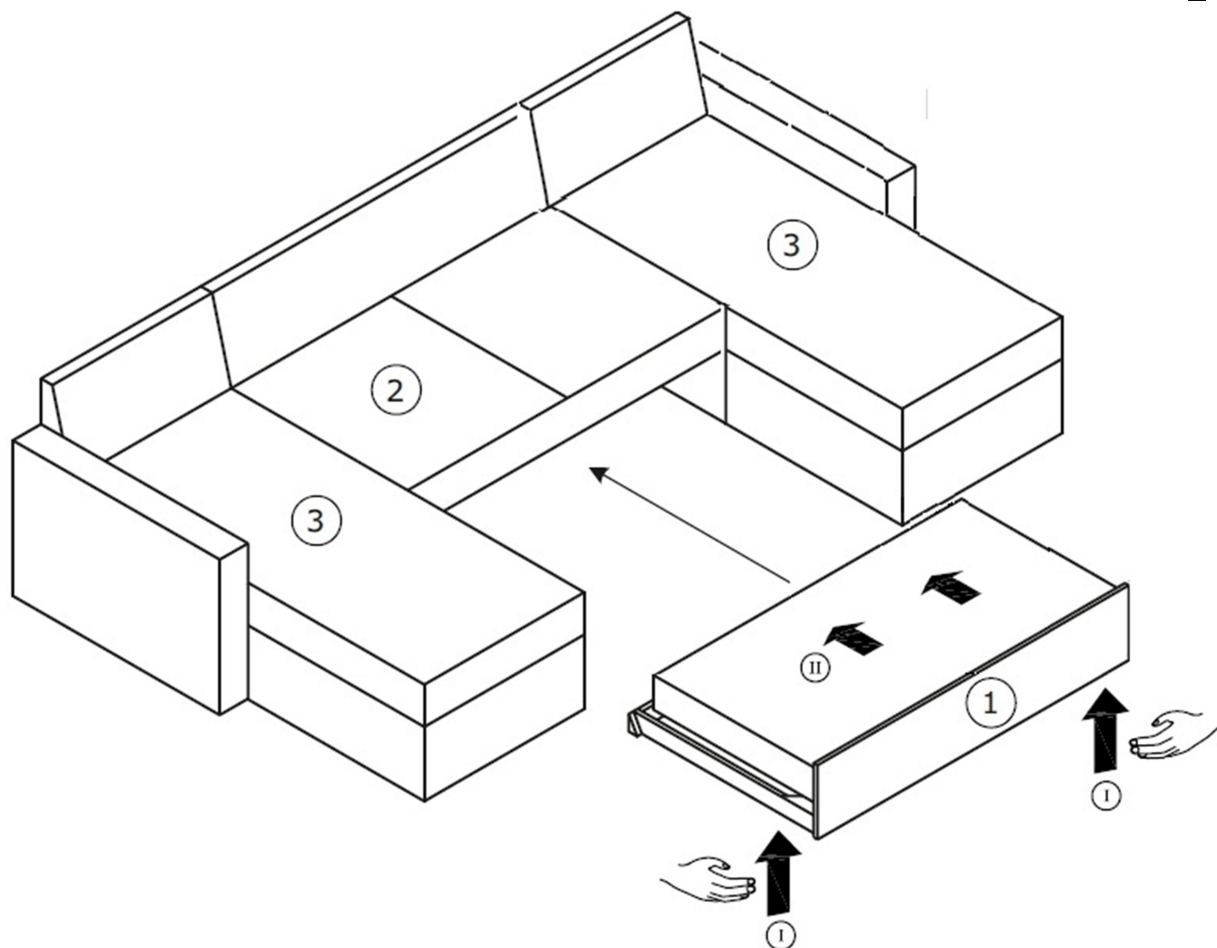
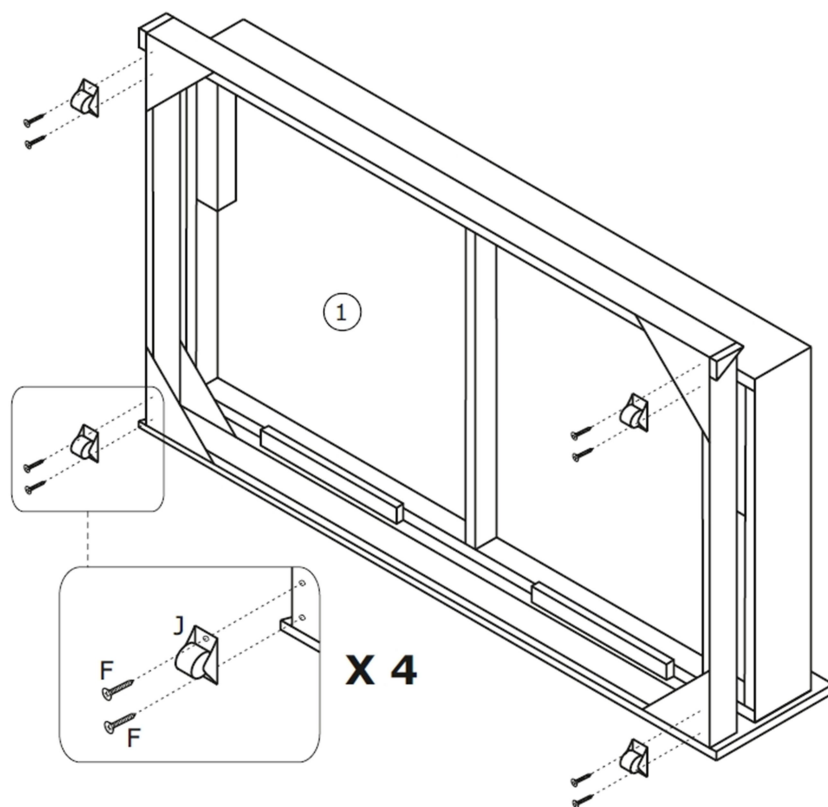
8



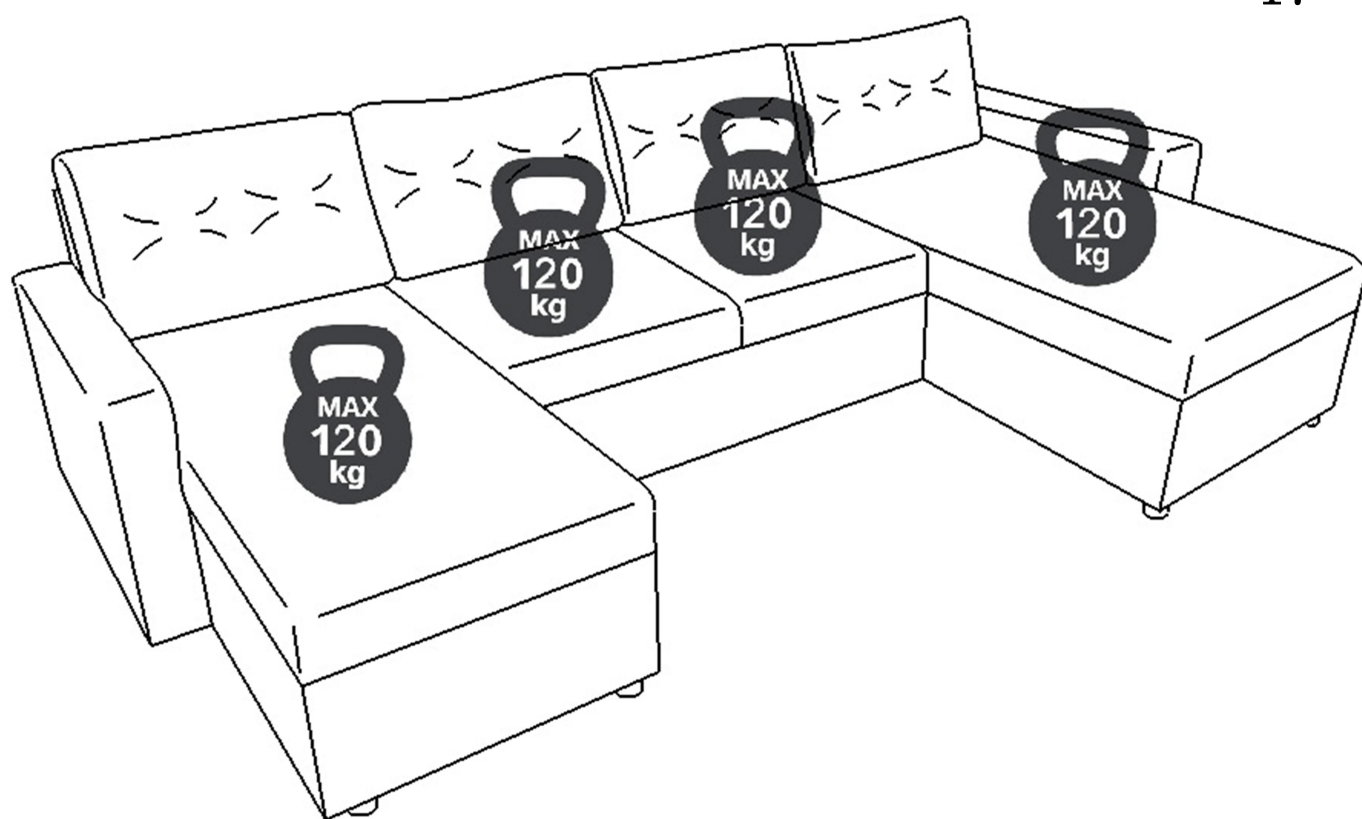








17



18

