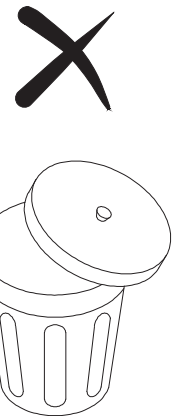
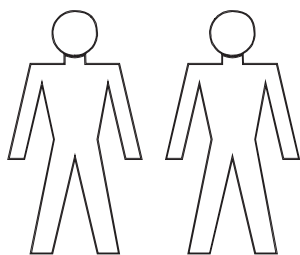
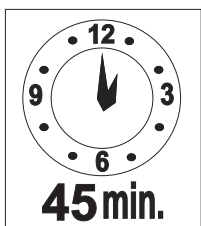
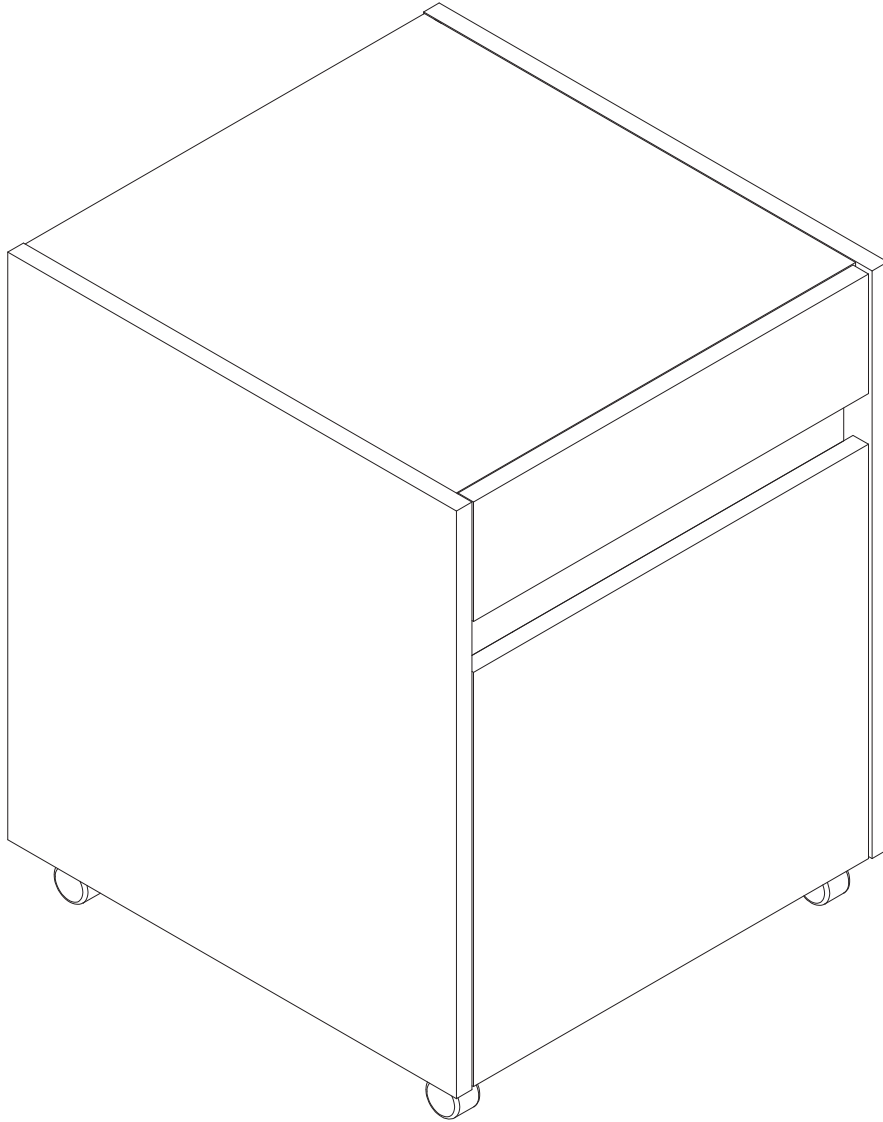
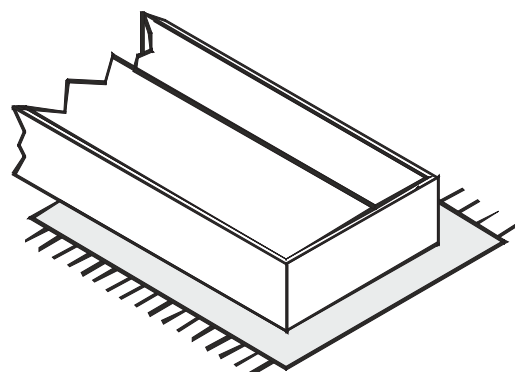
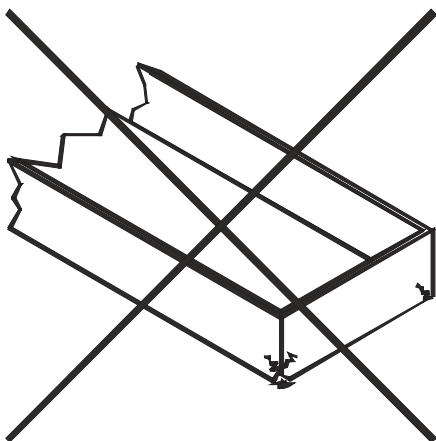
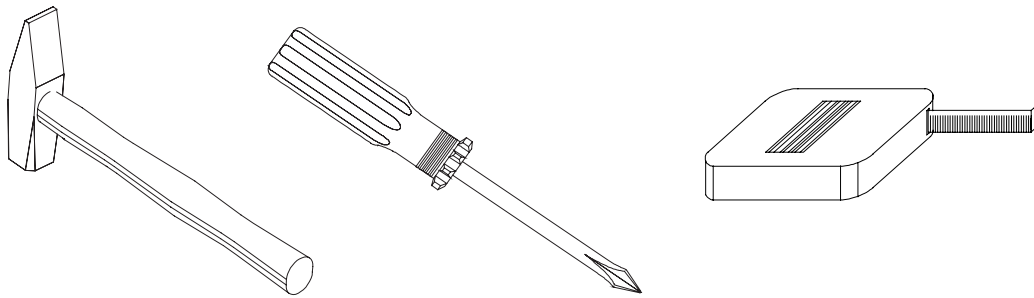
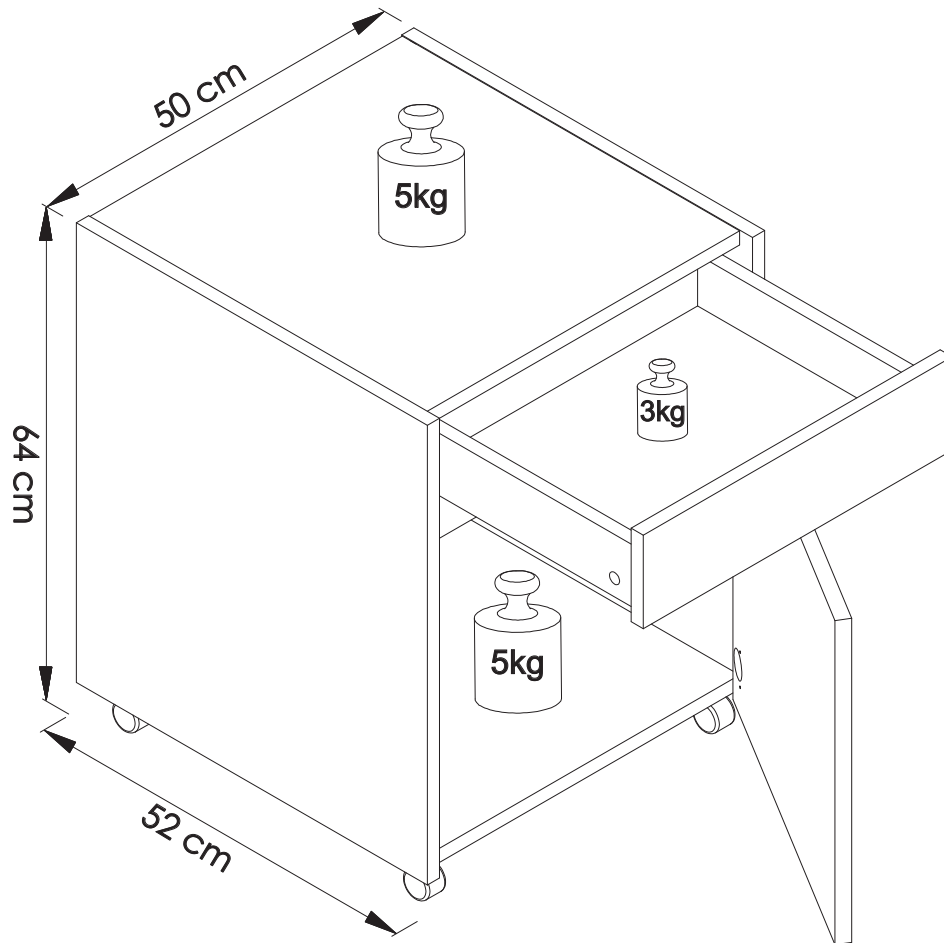
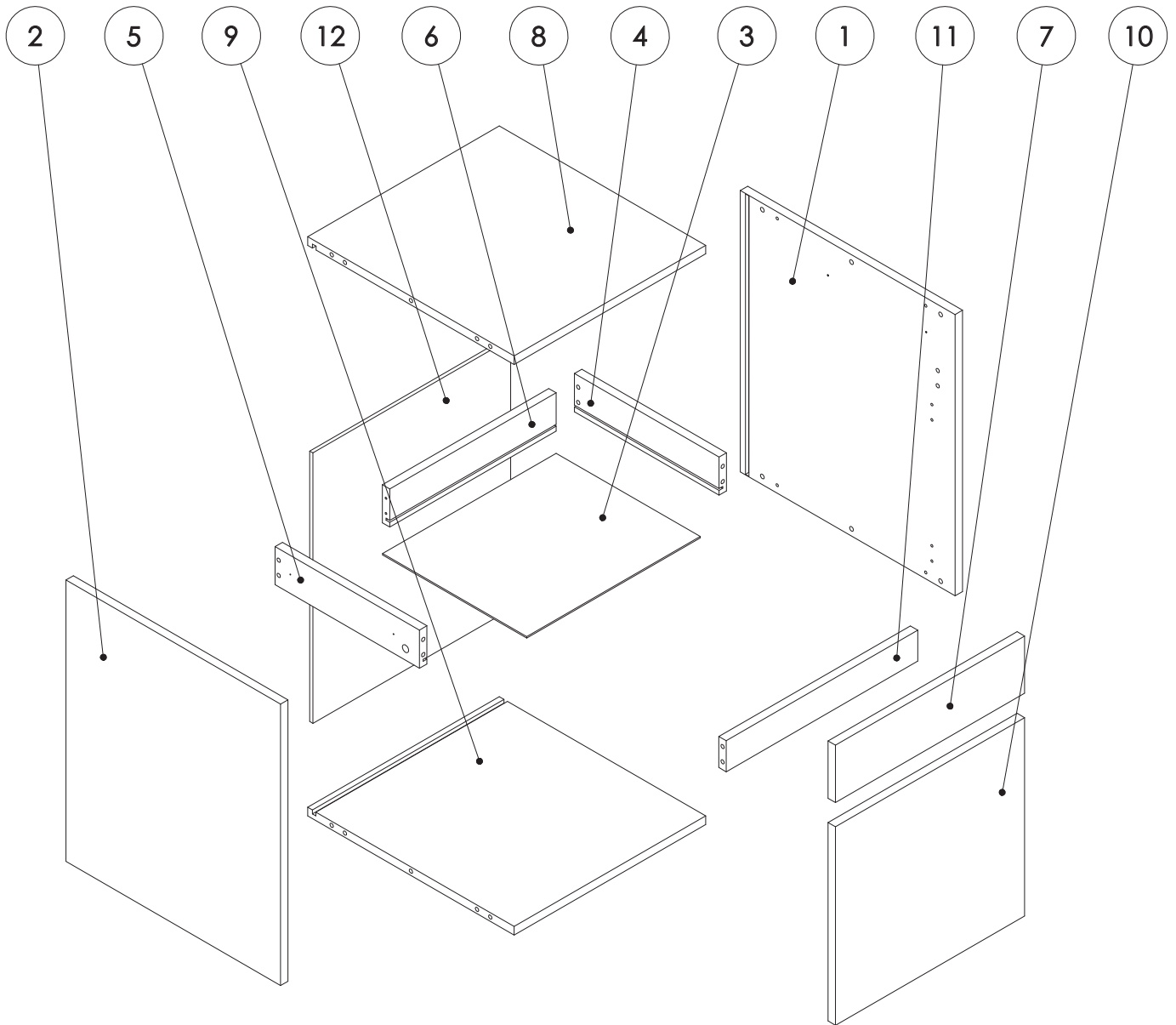


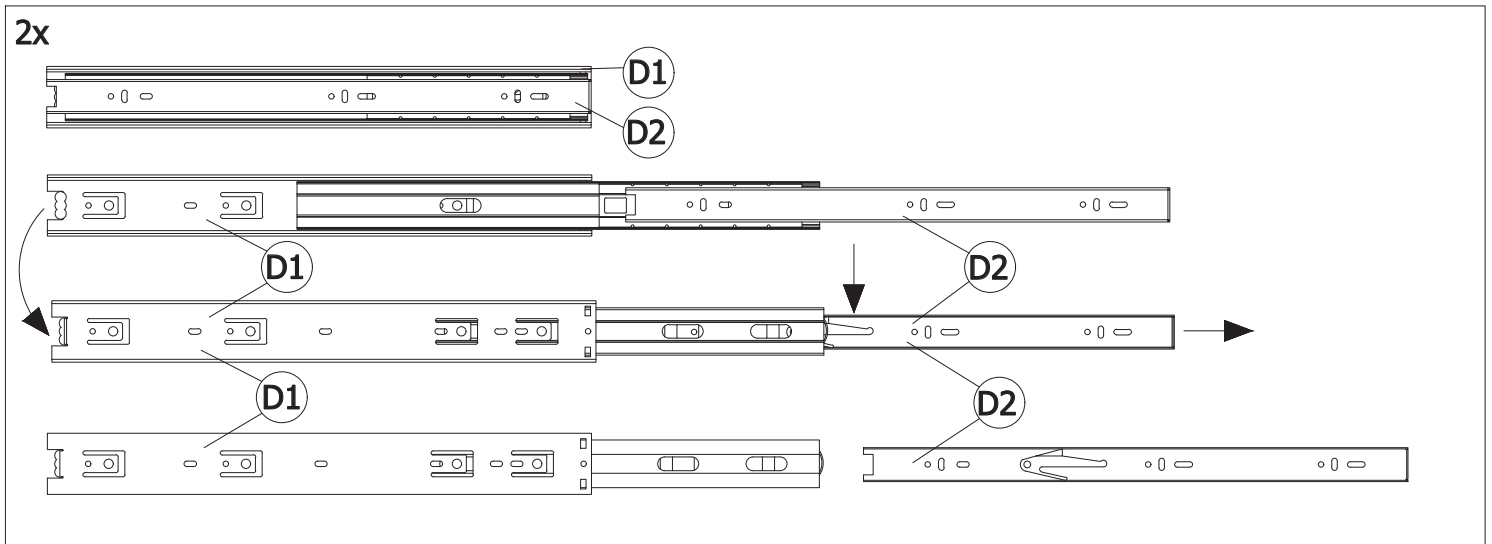
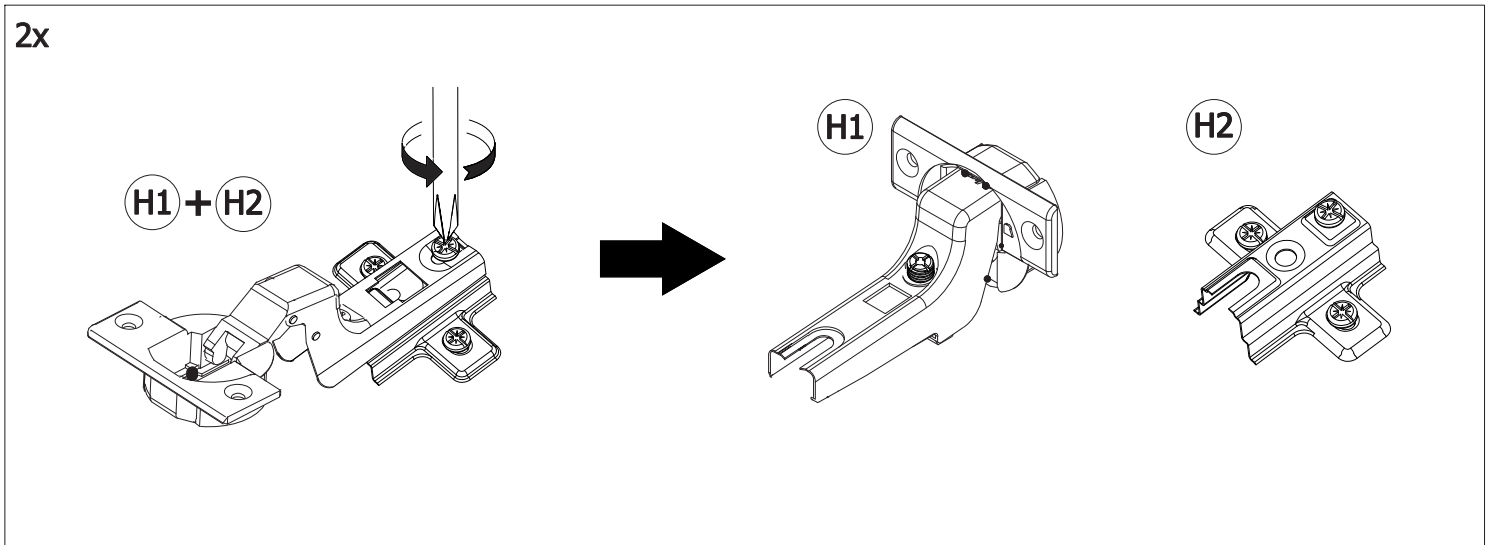
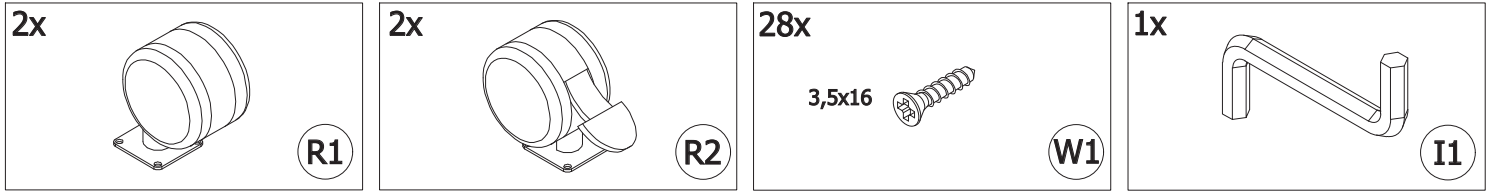
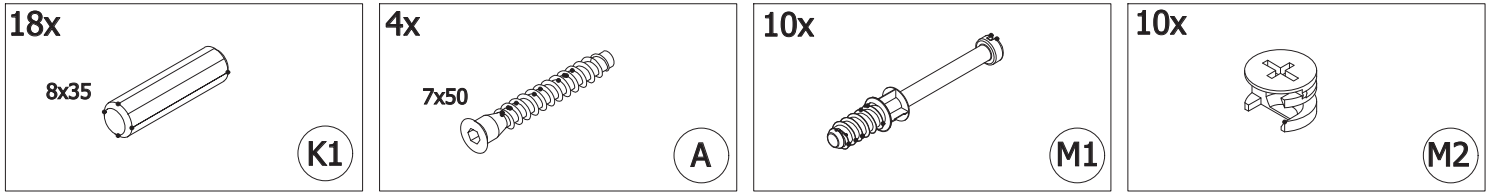
I VO/C







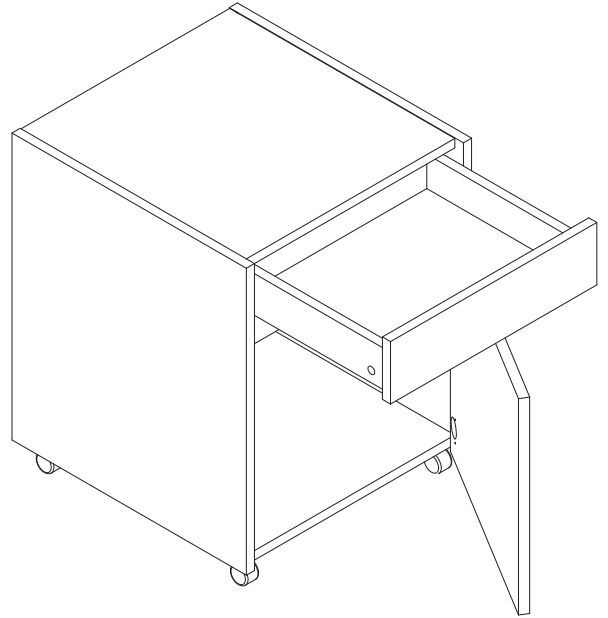
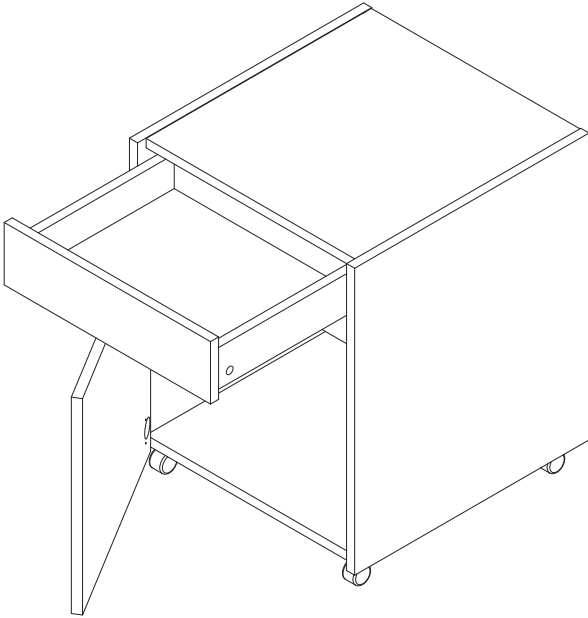
#	L [mm]	H [mm]	T [mm]	PCS.
1	590	520	18	1
2	590	520	18	1
3	420	349	3	1
4	350	80	18	1
5	350	80	18	1
6	403	80	18	1
7	458	120	18	1
8	464	500	18	1
9	464	500	18	1
10	458	416	18	1
11	464	65	18	1
12	567	479	8	1



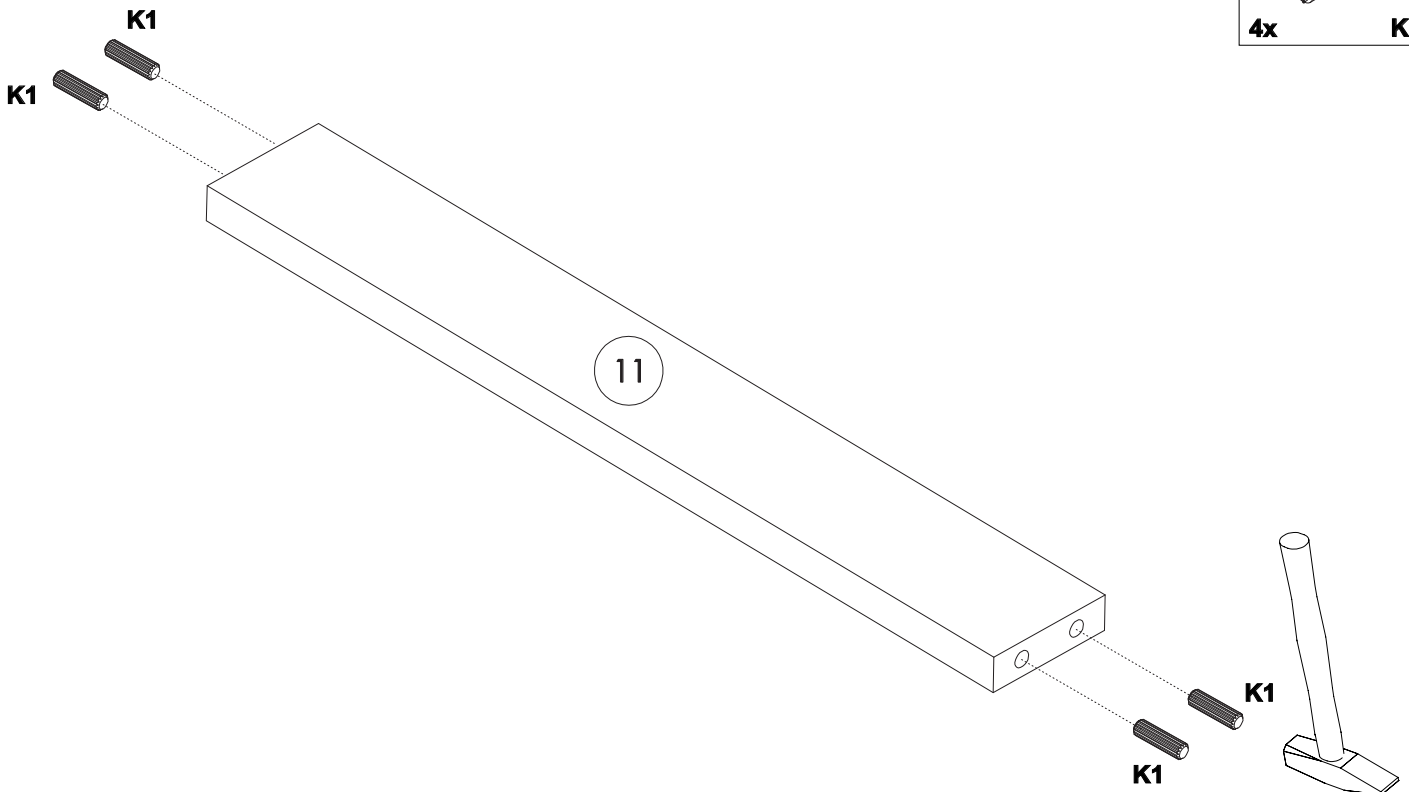
!!!

L

R

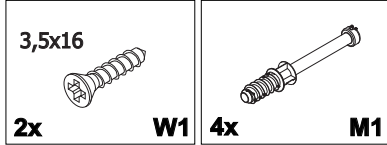


1

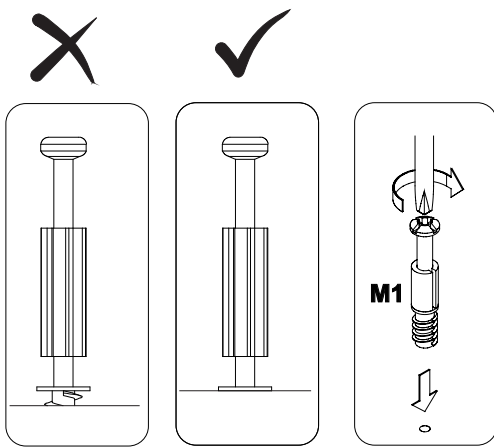
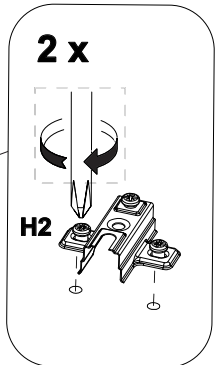
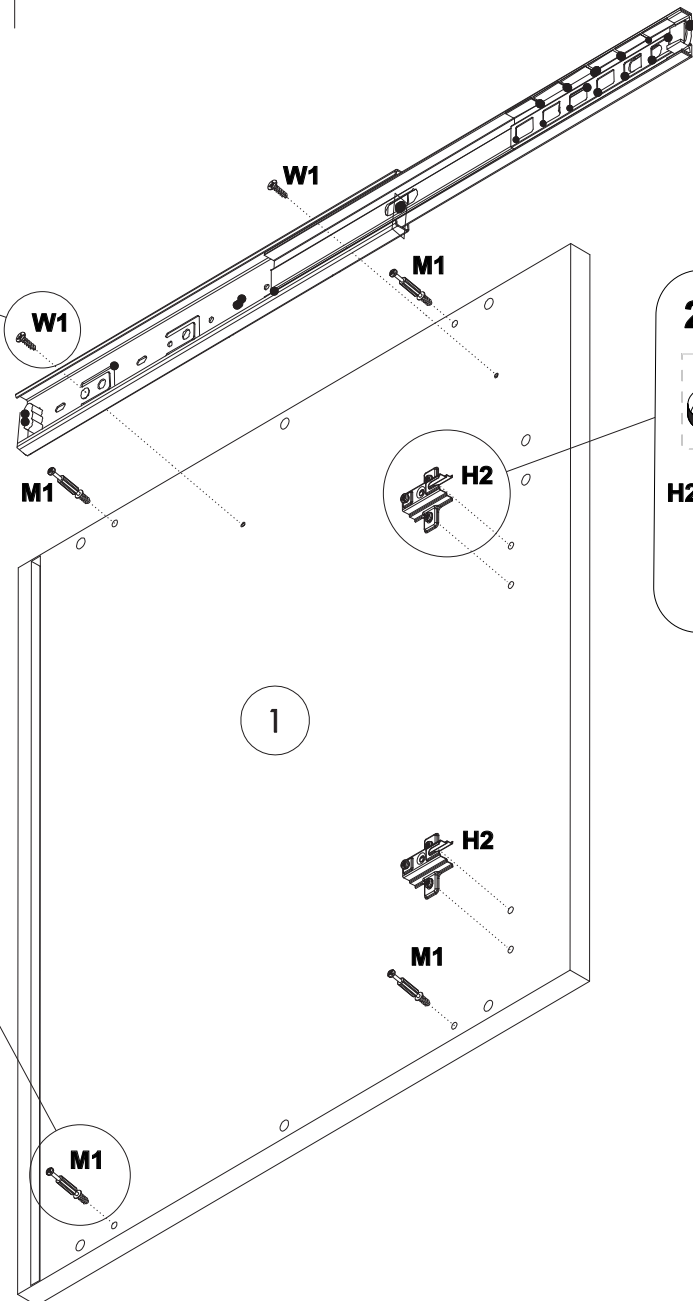
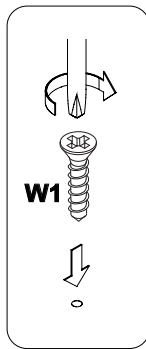
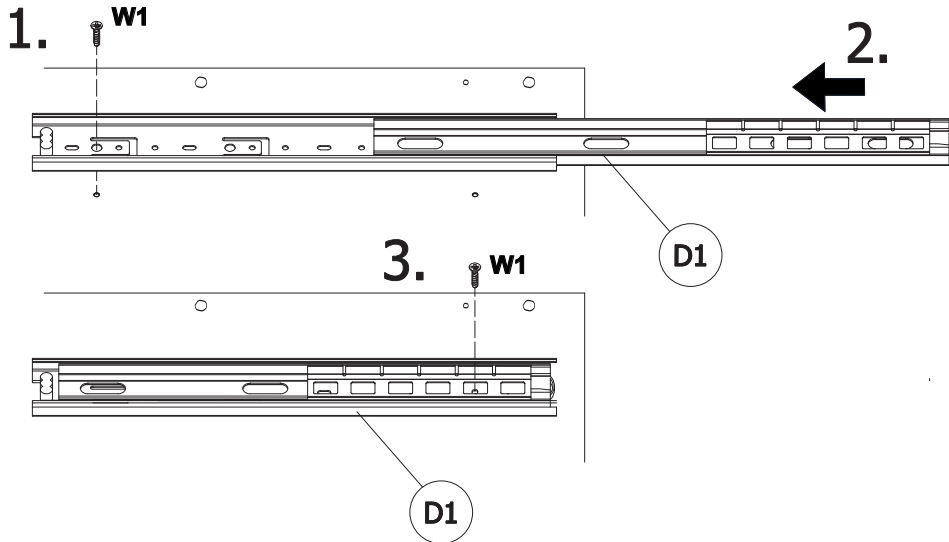
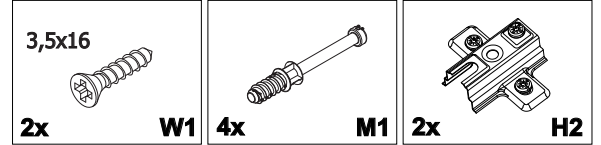


2

L:

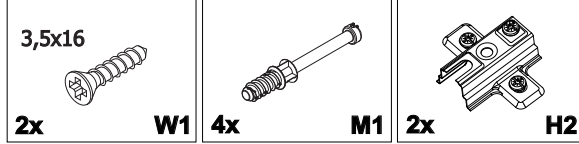


R:

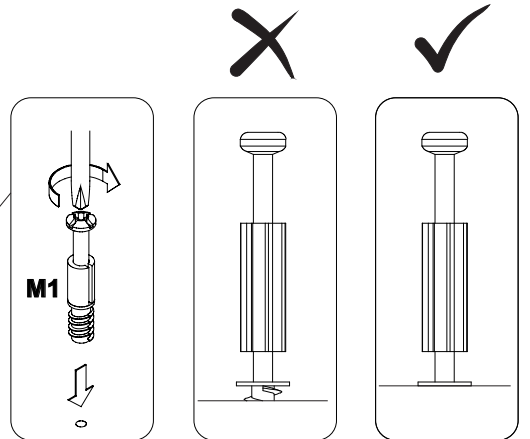
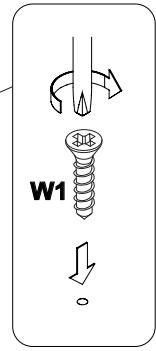
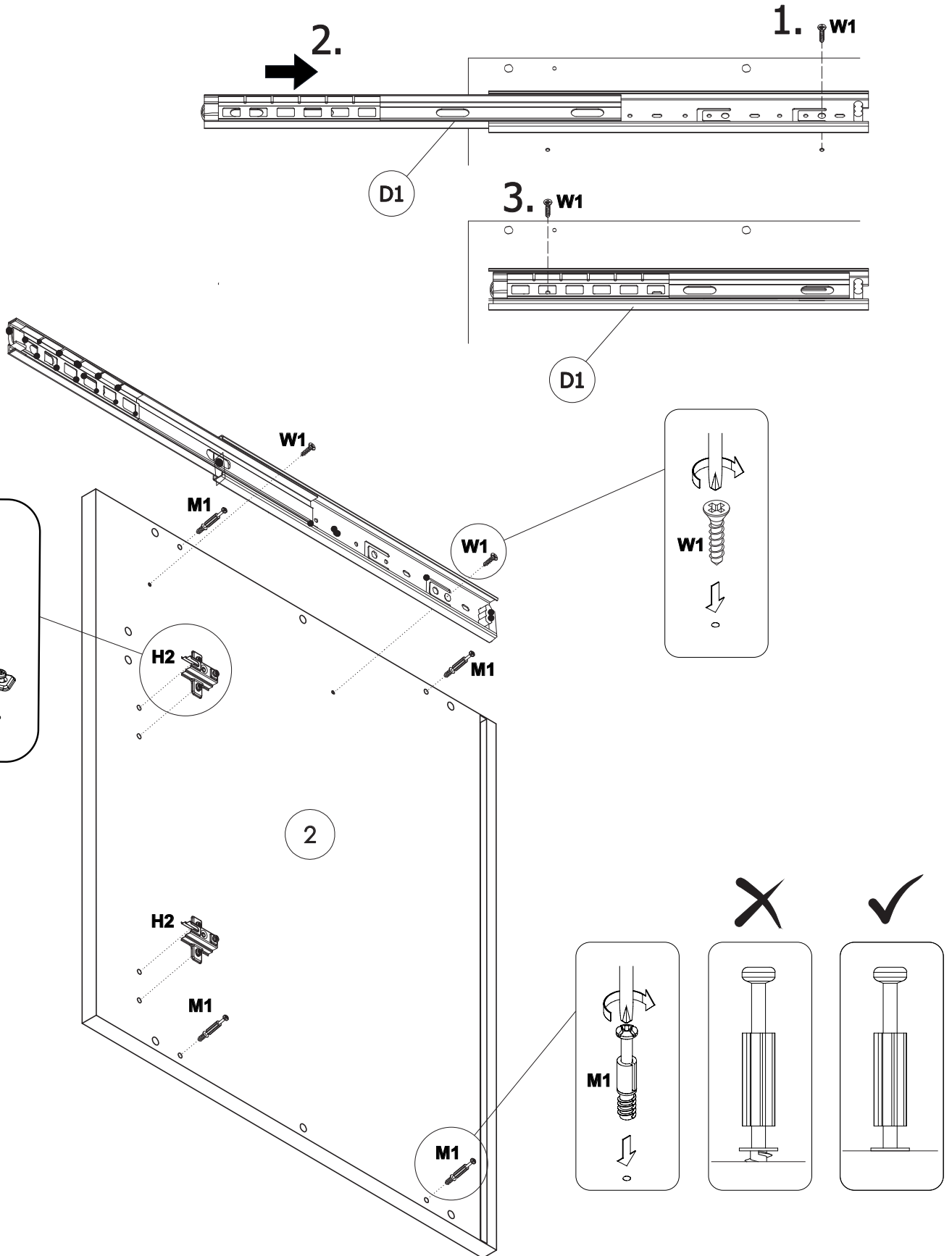
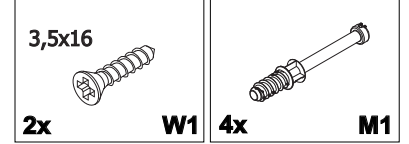


3

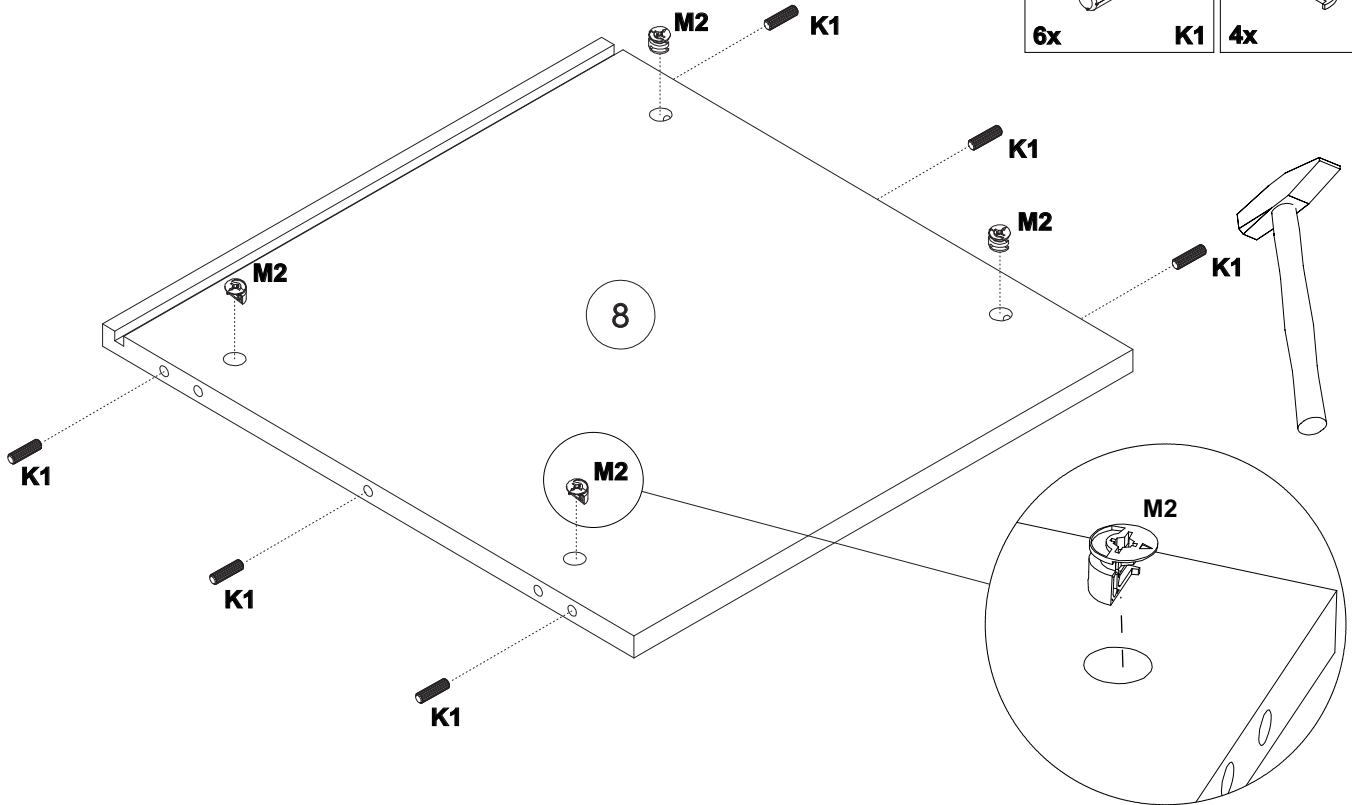
L:



R:

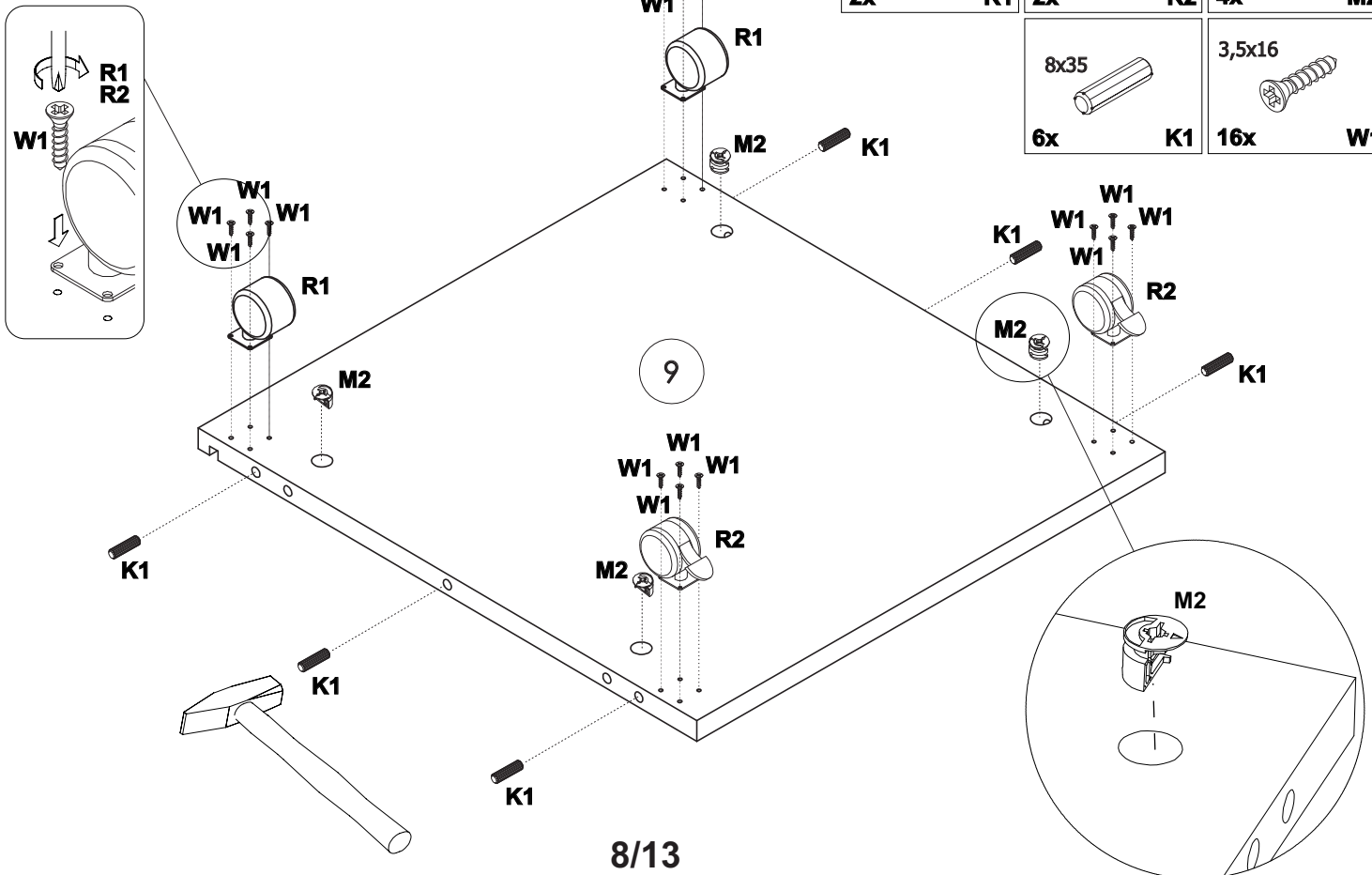


4



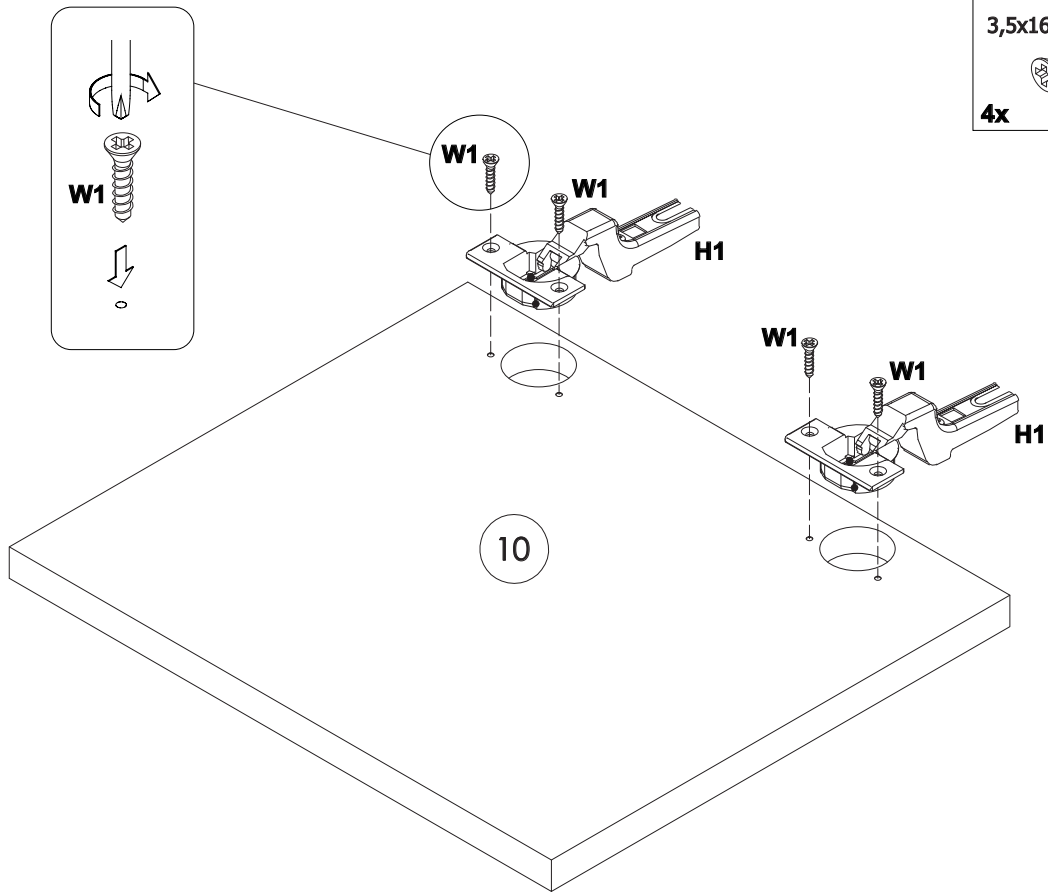
8x35 6x	K1	4x	M2
------------	----	----	----

5



2x	R1	2x	R2	4x	M2
8x35 6x	K1	3,5x16 16x	W1		

6



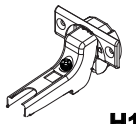
3,5x16

4x

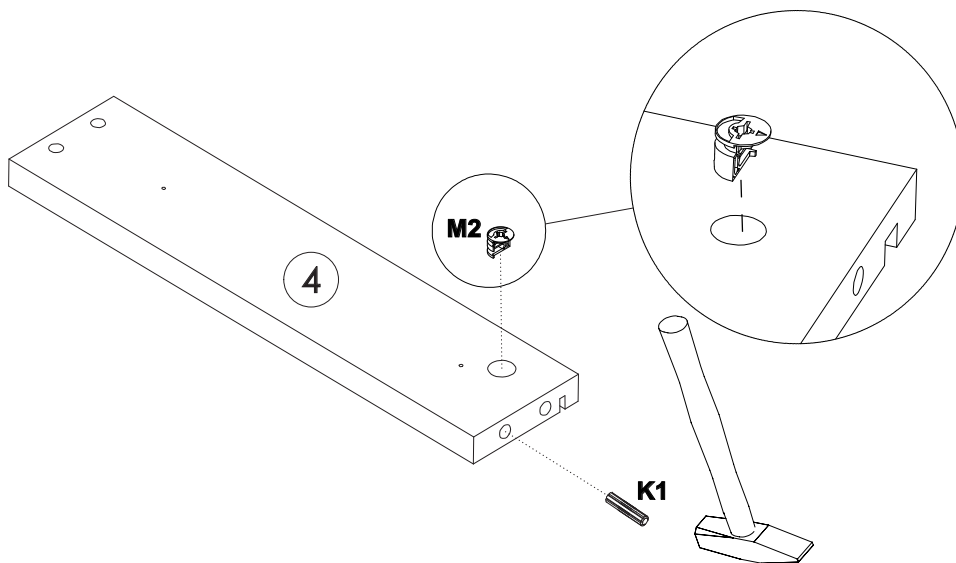
W1

2x

H1



7



8x35

1x

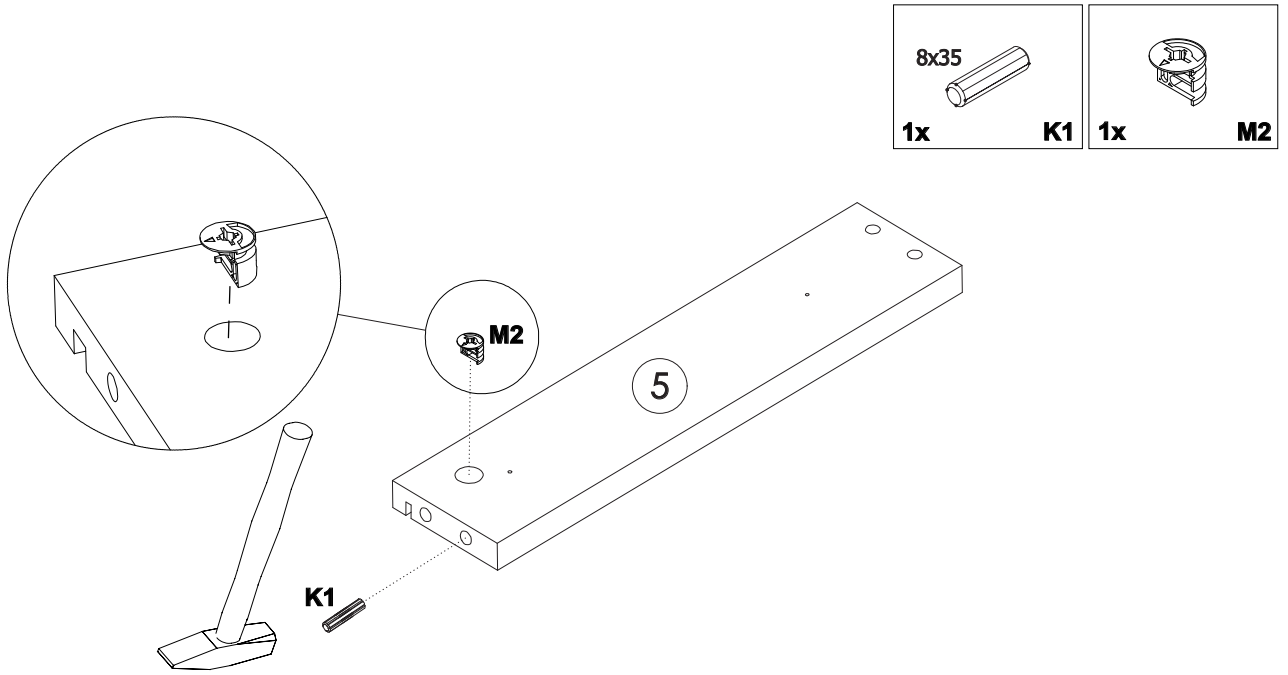
K1

1x

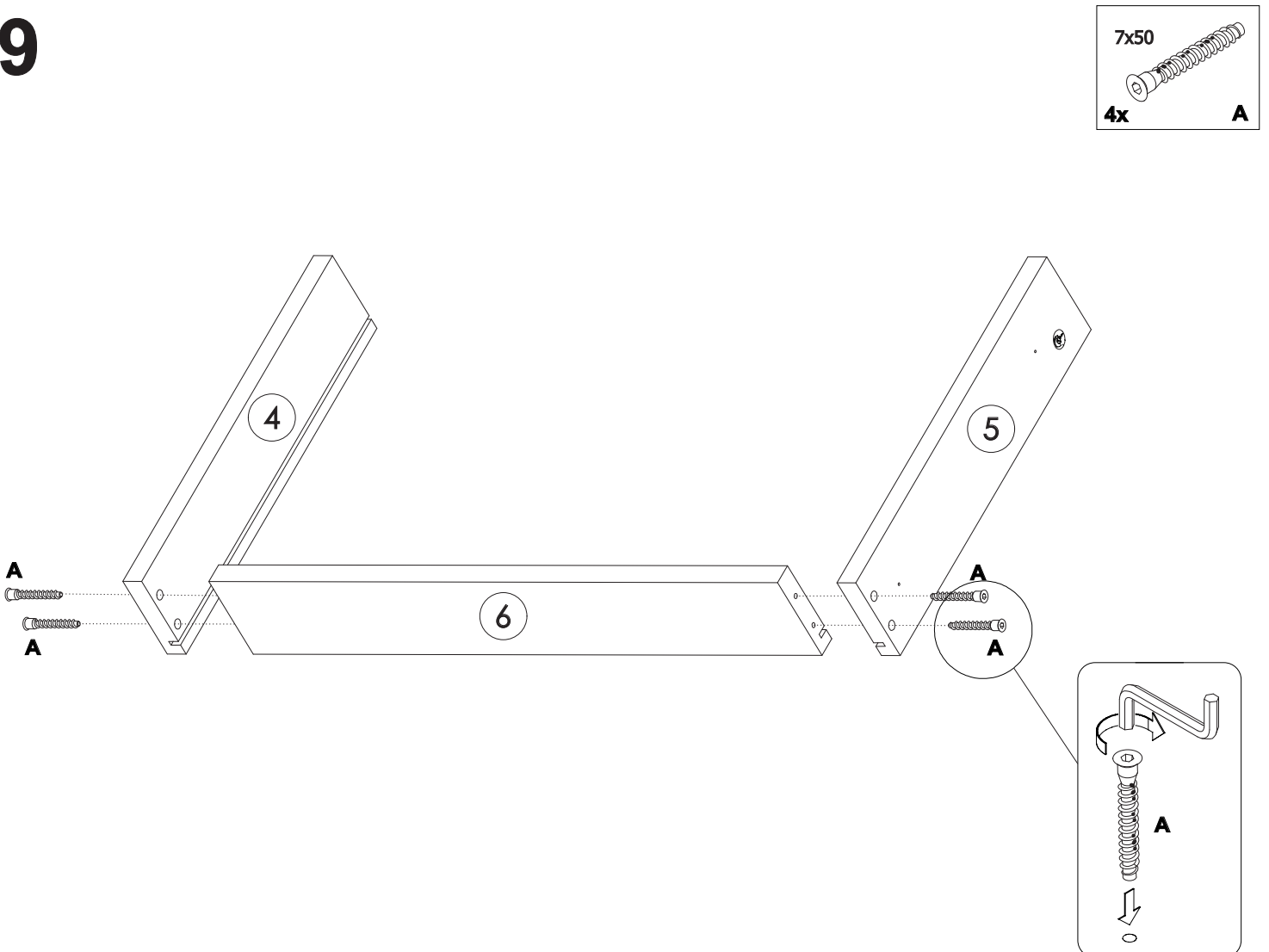
M2



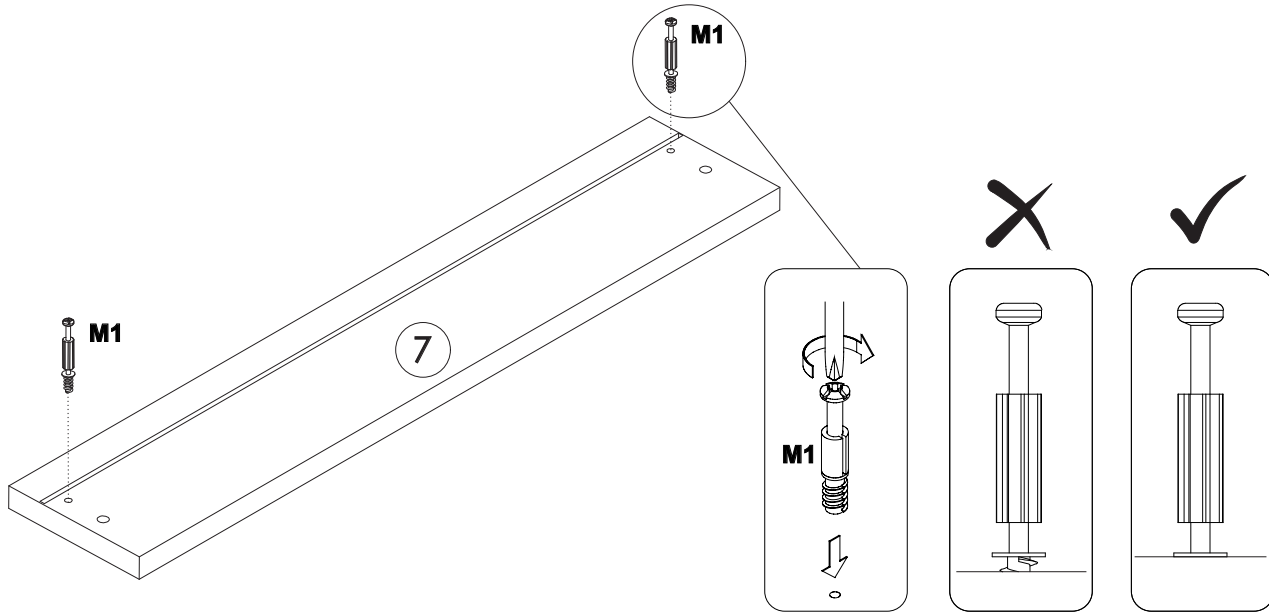
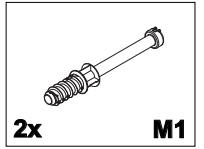
8



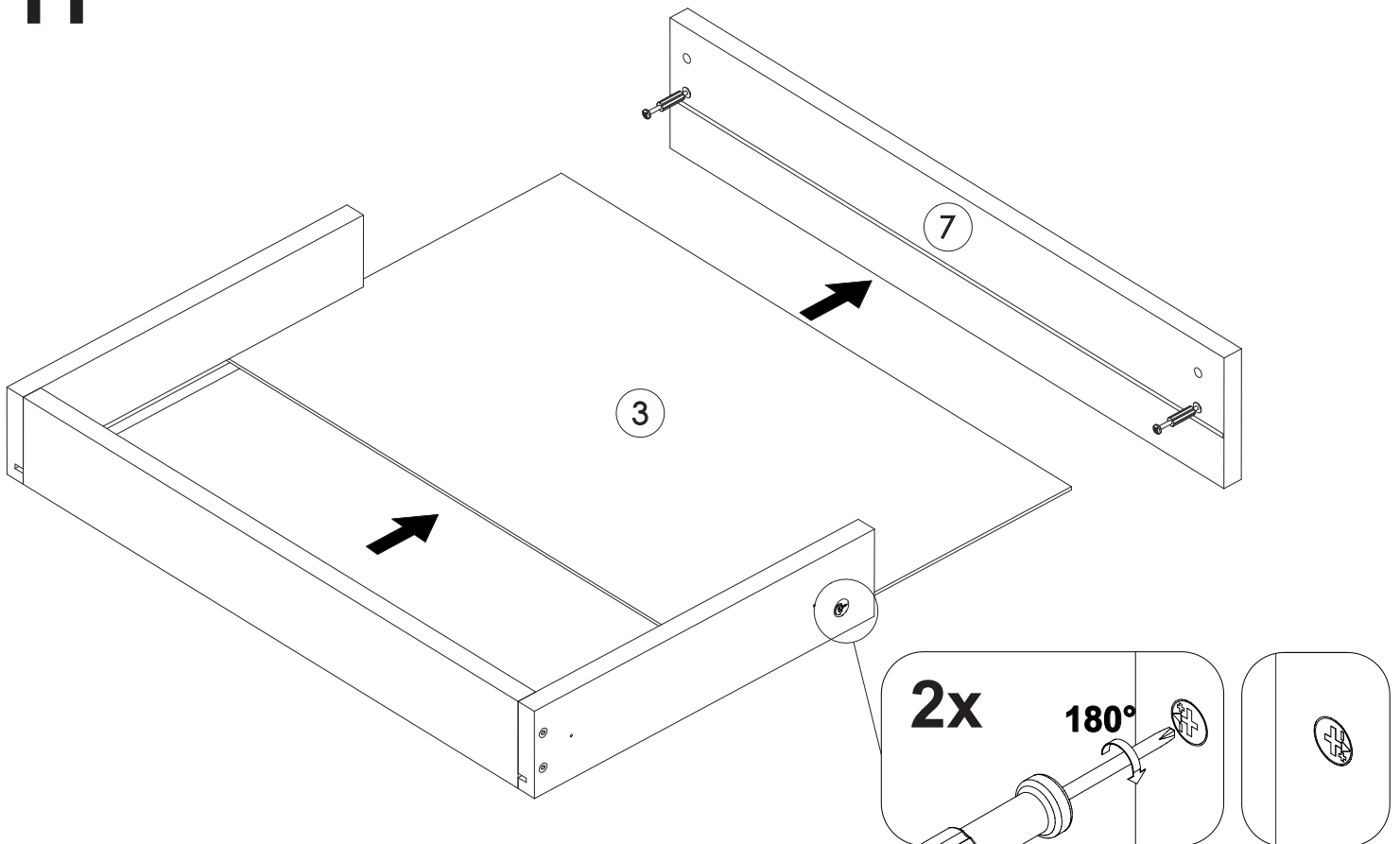
9



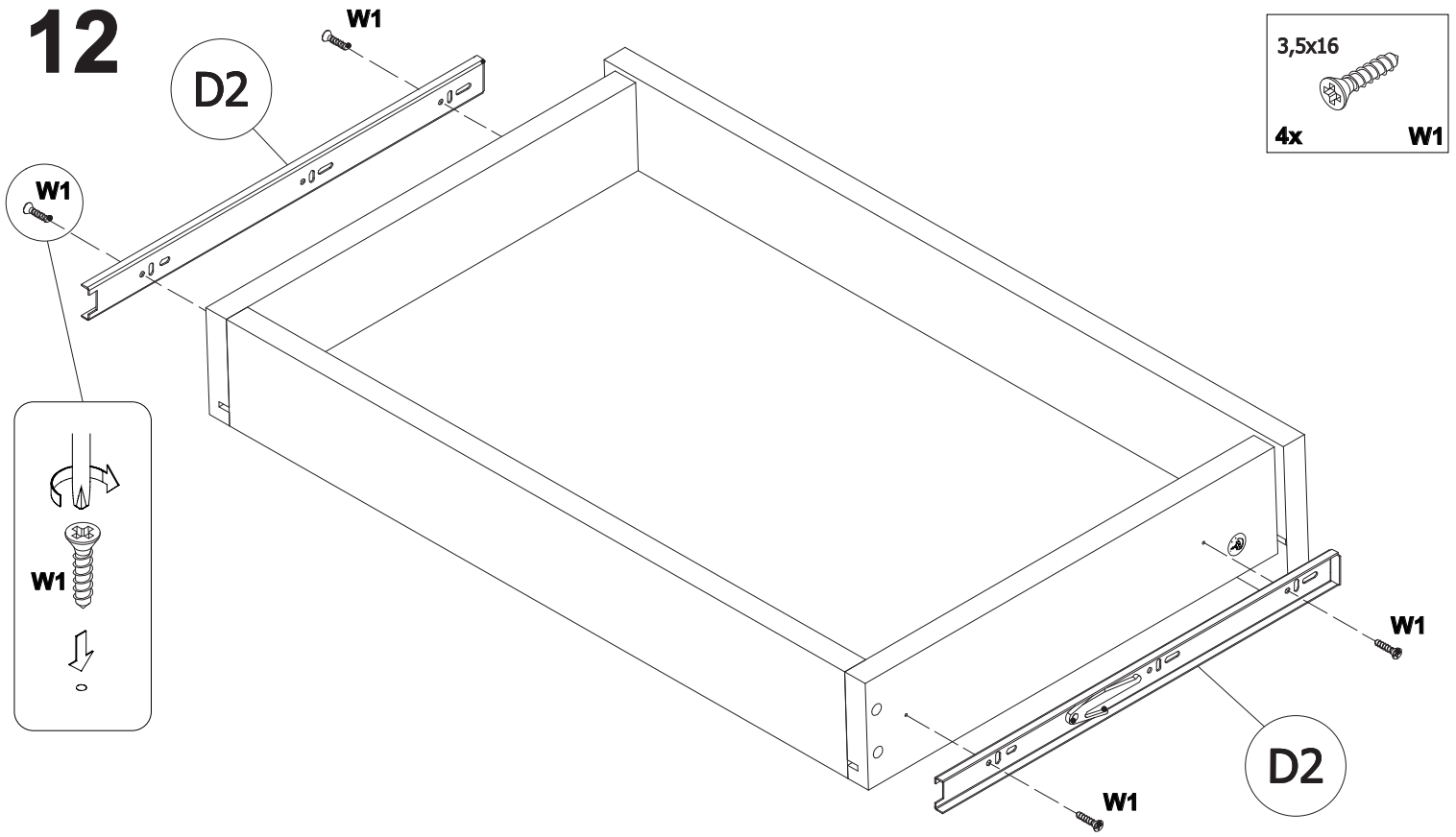
10



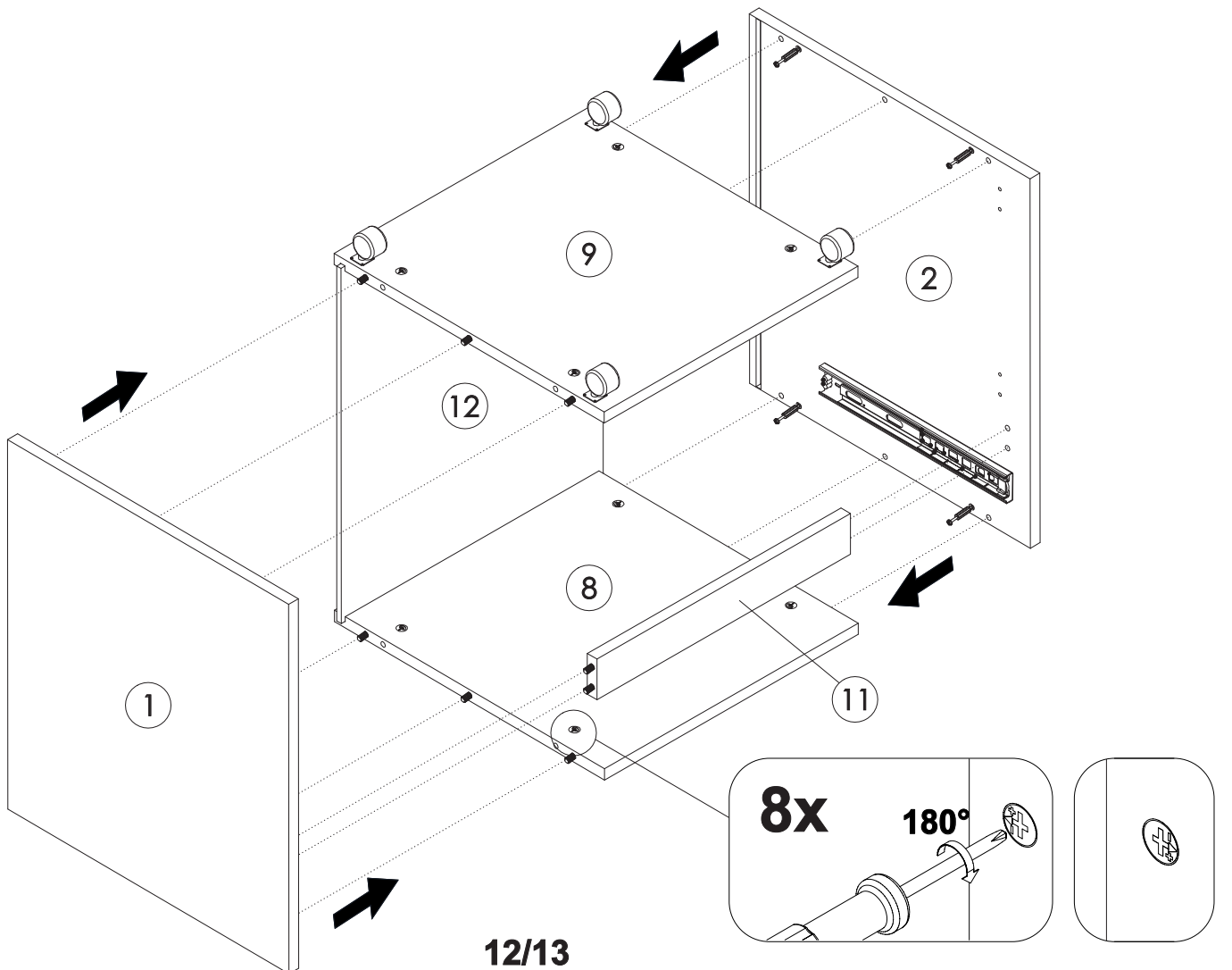
11



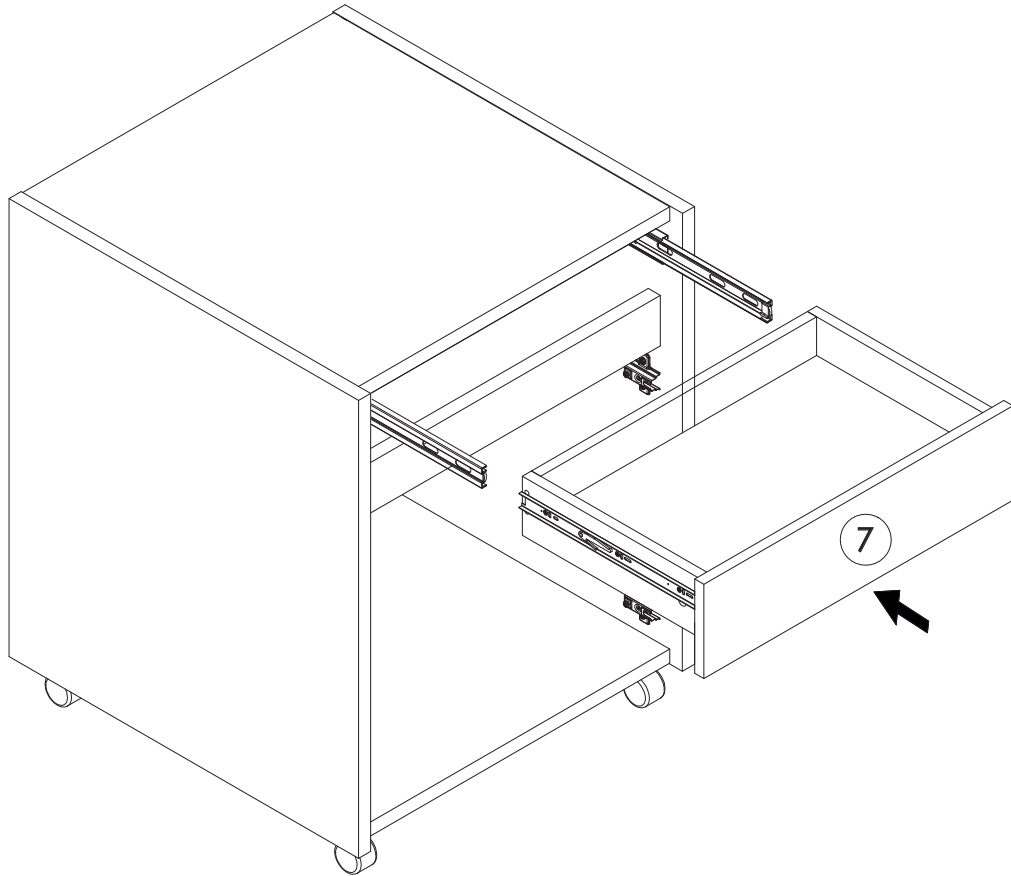
12



13



14



15

