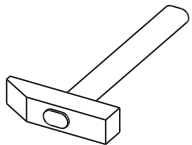
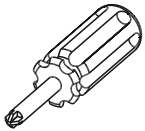
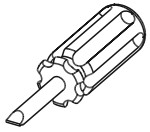
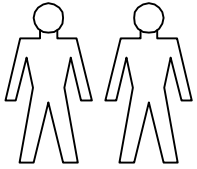
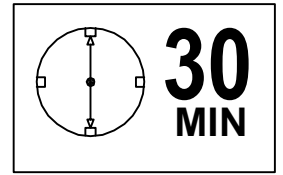
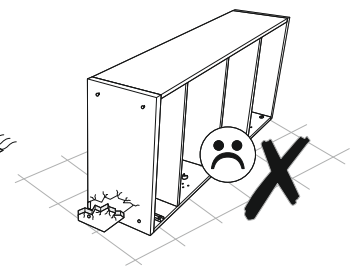
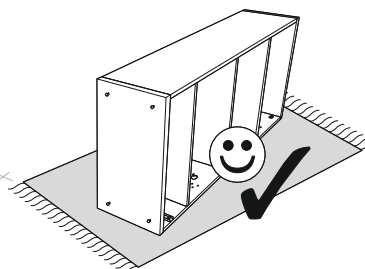
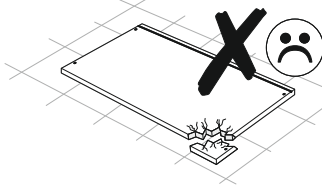
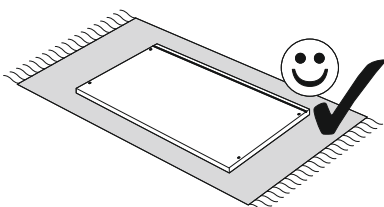
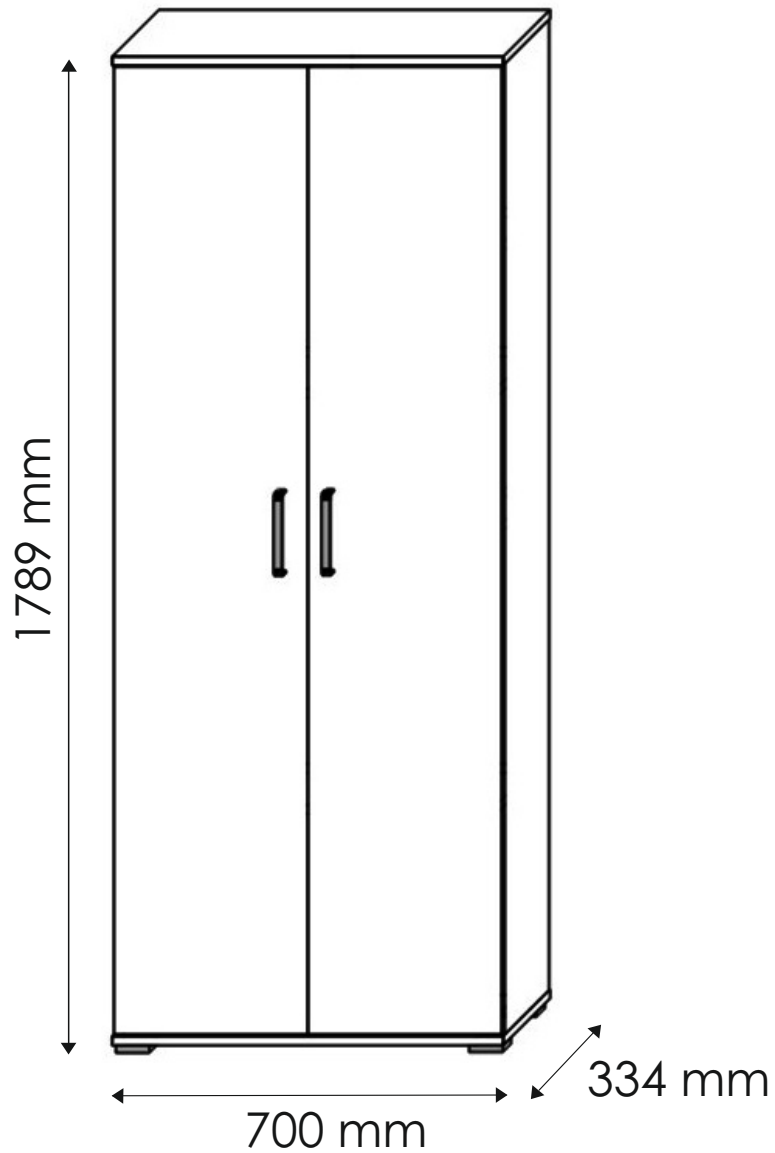


ALEX SCHUHSCHRANK




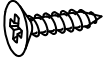



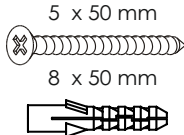
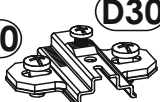
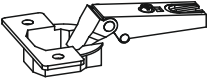
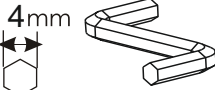



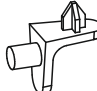
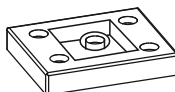



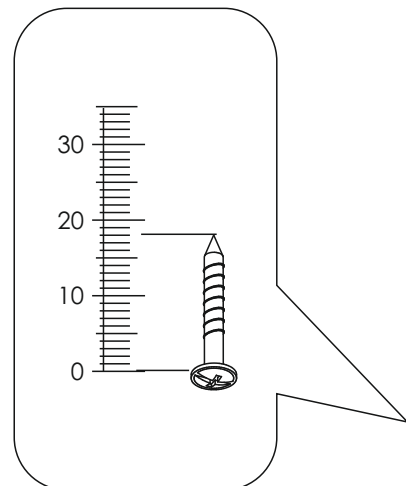
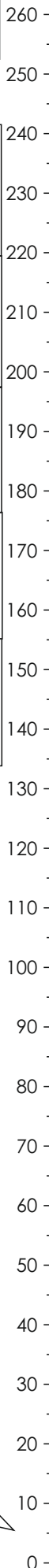
Ø8



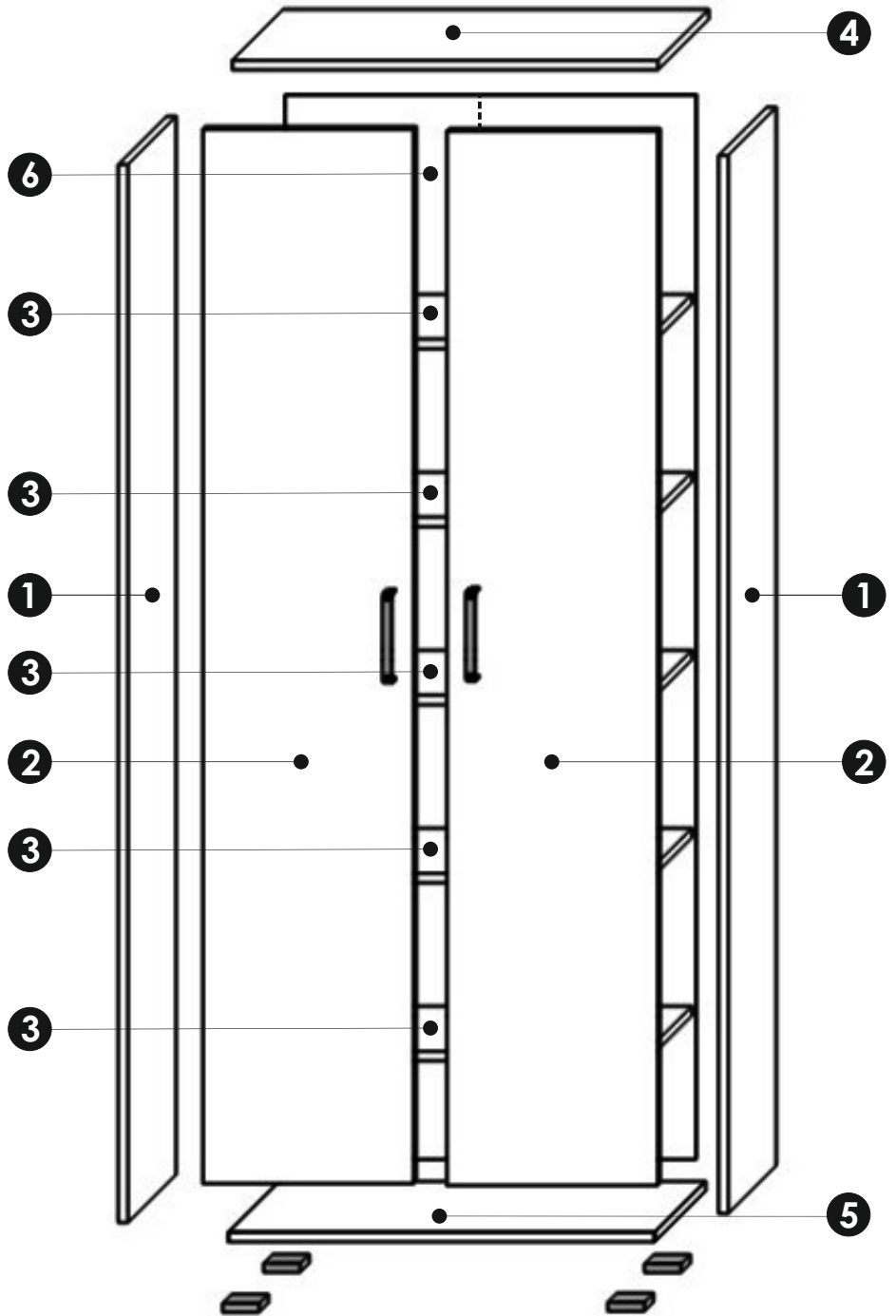
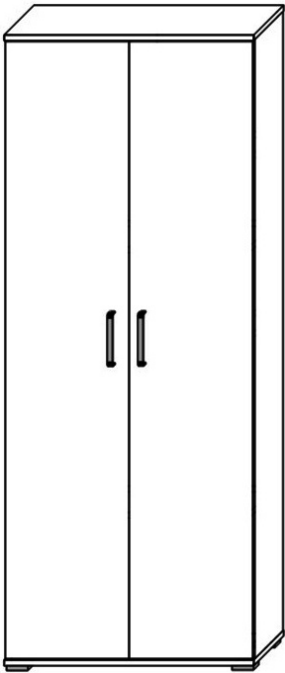
ALEX SCHUHSCHRANK


MM

<p>A0 8 x 32mm x4</p> 	<p>B1 f 7 x 50 mm x8</p> 	<p>D0 3 x 15 mm x12</p> 
<p>D10 4 x 16 mm x12</p> 	<p>D12 4 x 25 mm x16</p> 	<p>D16 4 x 30 mm x4</p> 
<p>D21 5 x 13 mm x1</p> 	<p>E0 5 x 50 mm 8 x 50 mm x1</p> 	<p>J6 D30 x6</p> 
<p>J8 x6</p> 	<p>K 4mm x1</p> 	<p>L5 x2</p> 
<p>M1 x12</p> 	<p>P0 x1</p> 	<p>Q3 x20</p> 
<p>T5 x4</p> 	<p>U0 x4</p> 	



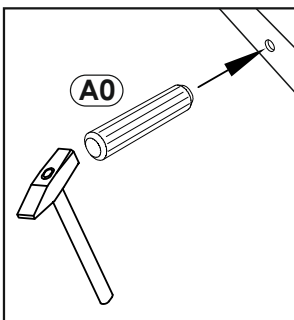
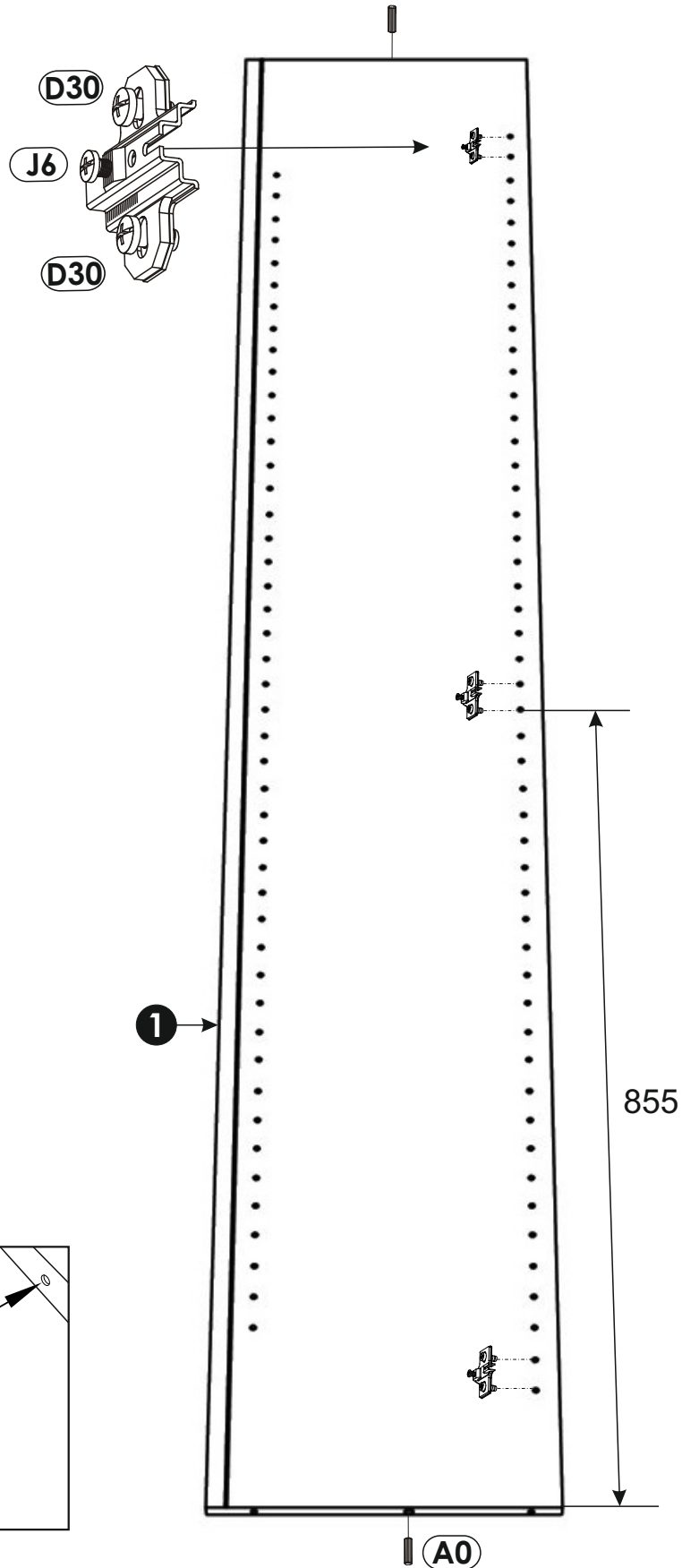
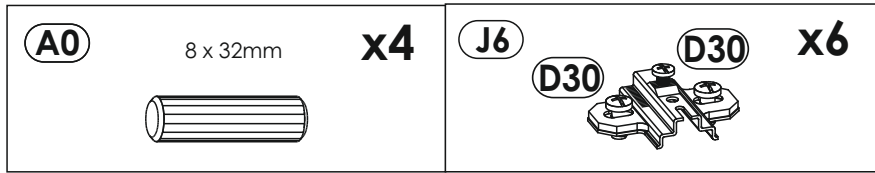
ALEX SCHUHSCHRANK



1	1742	316	16	x2	1/1
2	1736	347	16	x2	1/1
3	666	295	16	x5	1/1
4	700	334	16	x1	1/1
5	700	334	16	x1	1/1
6	1752	676	3	x1	1/1
					1/1

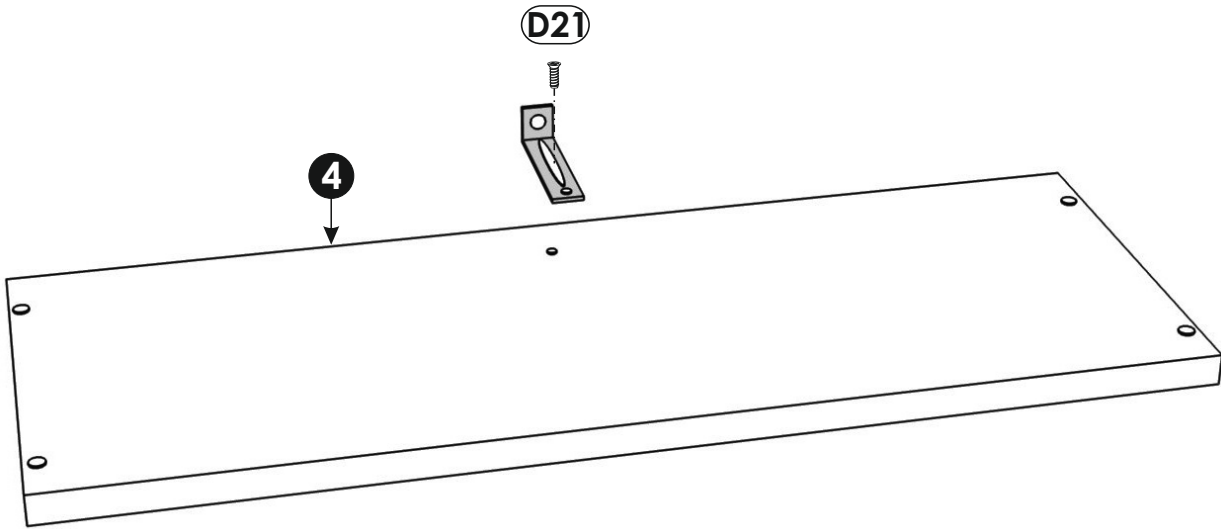
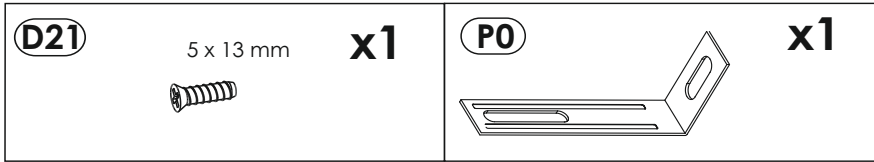
1 ▶

A0	8 x 32mm	x4	J6	D30	x6
-----------	----------	-----------	-----------	------------	-----------

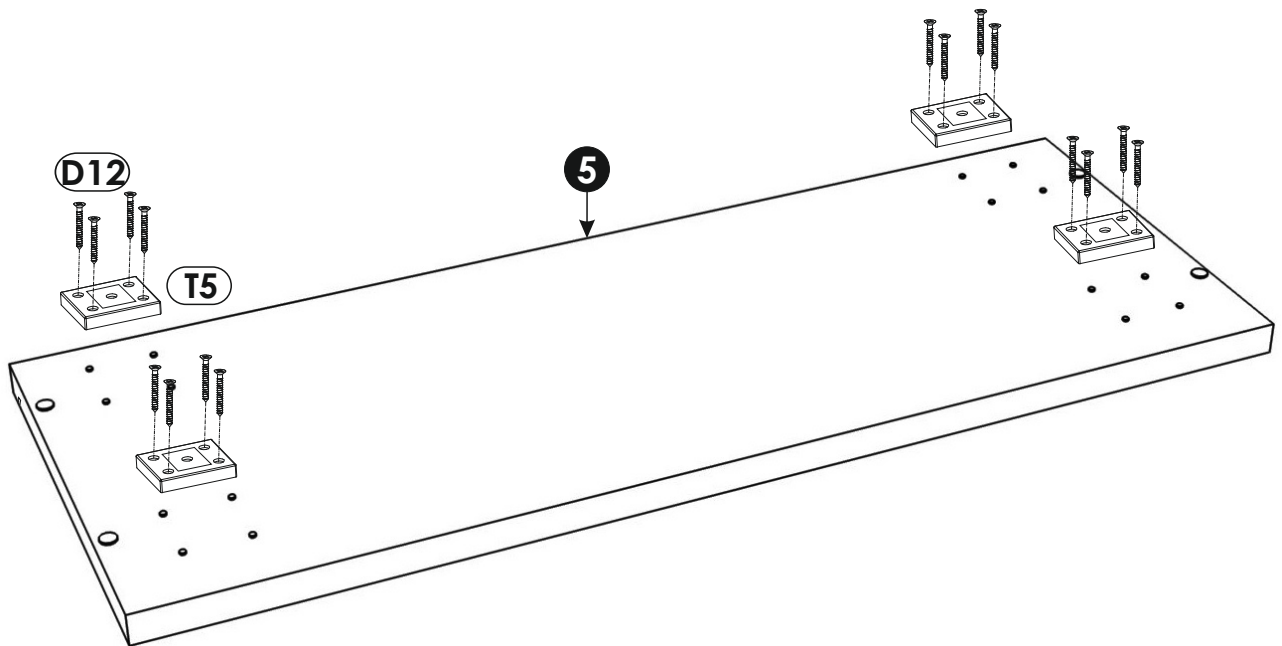
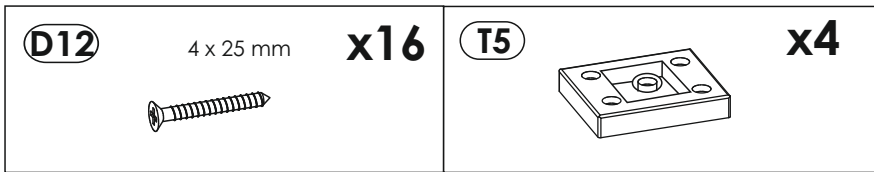


x2

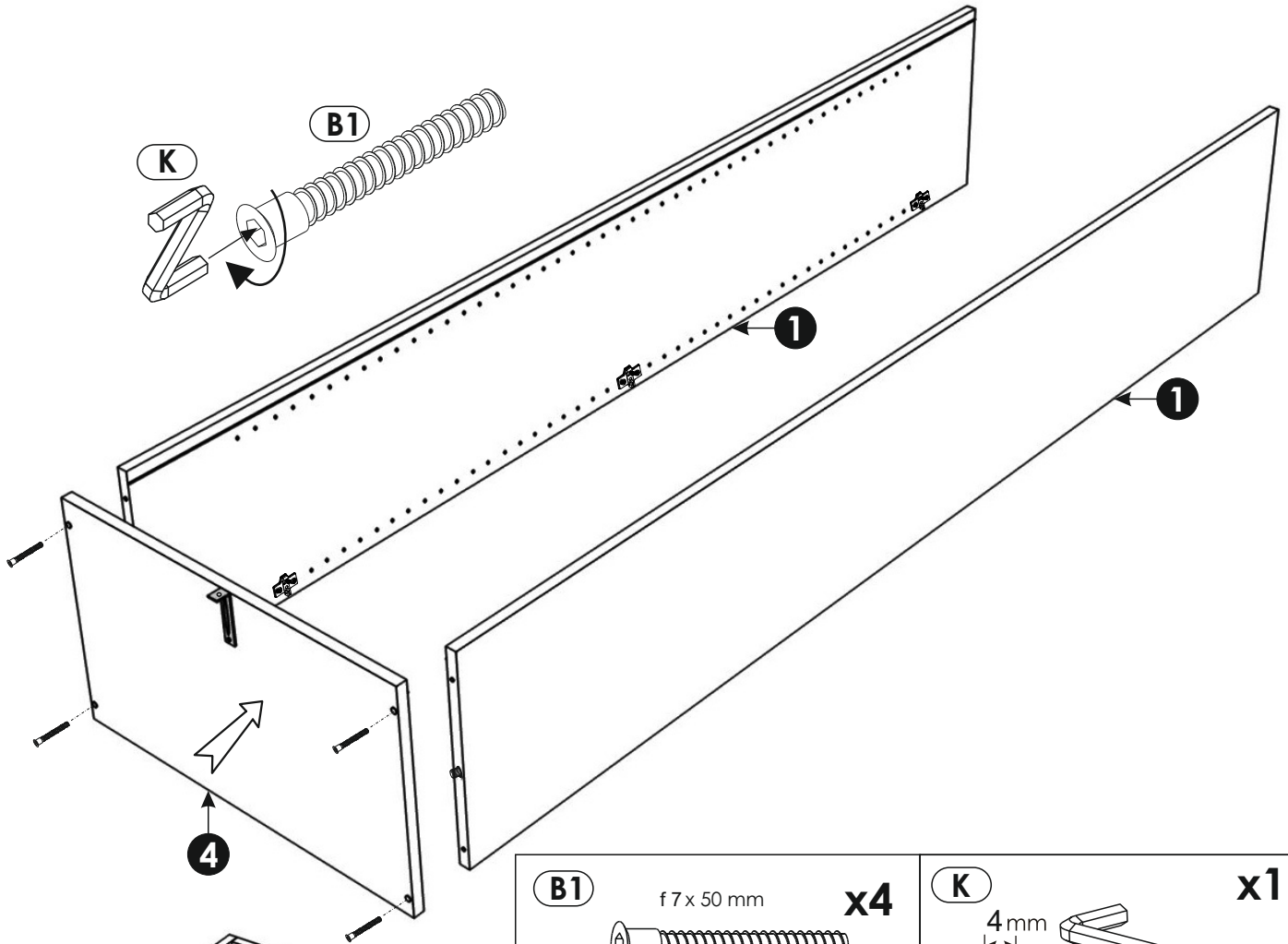
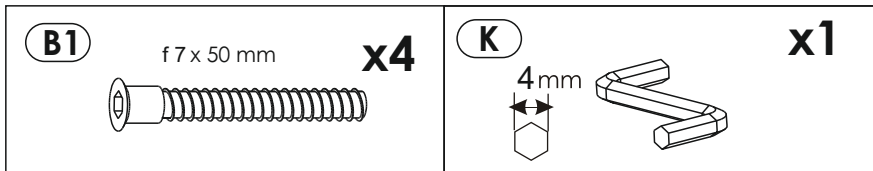
2 ▶



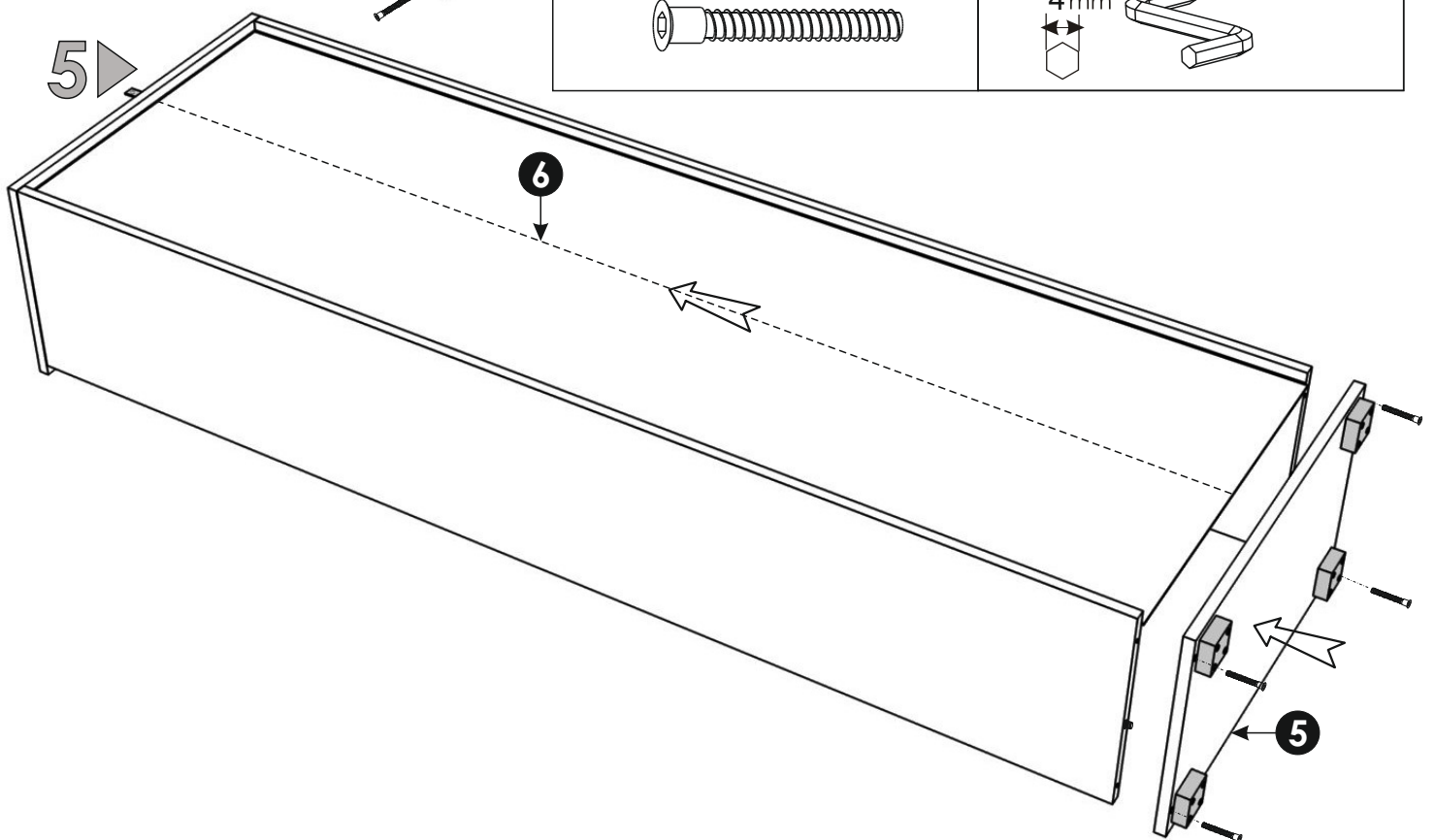
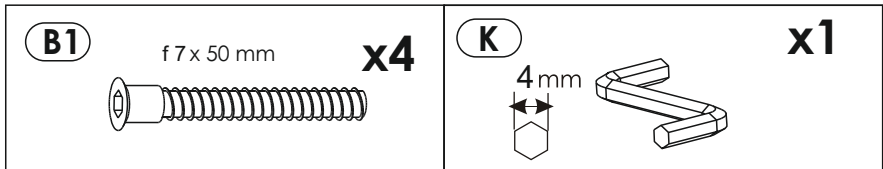
3 ▶





4 ▶

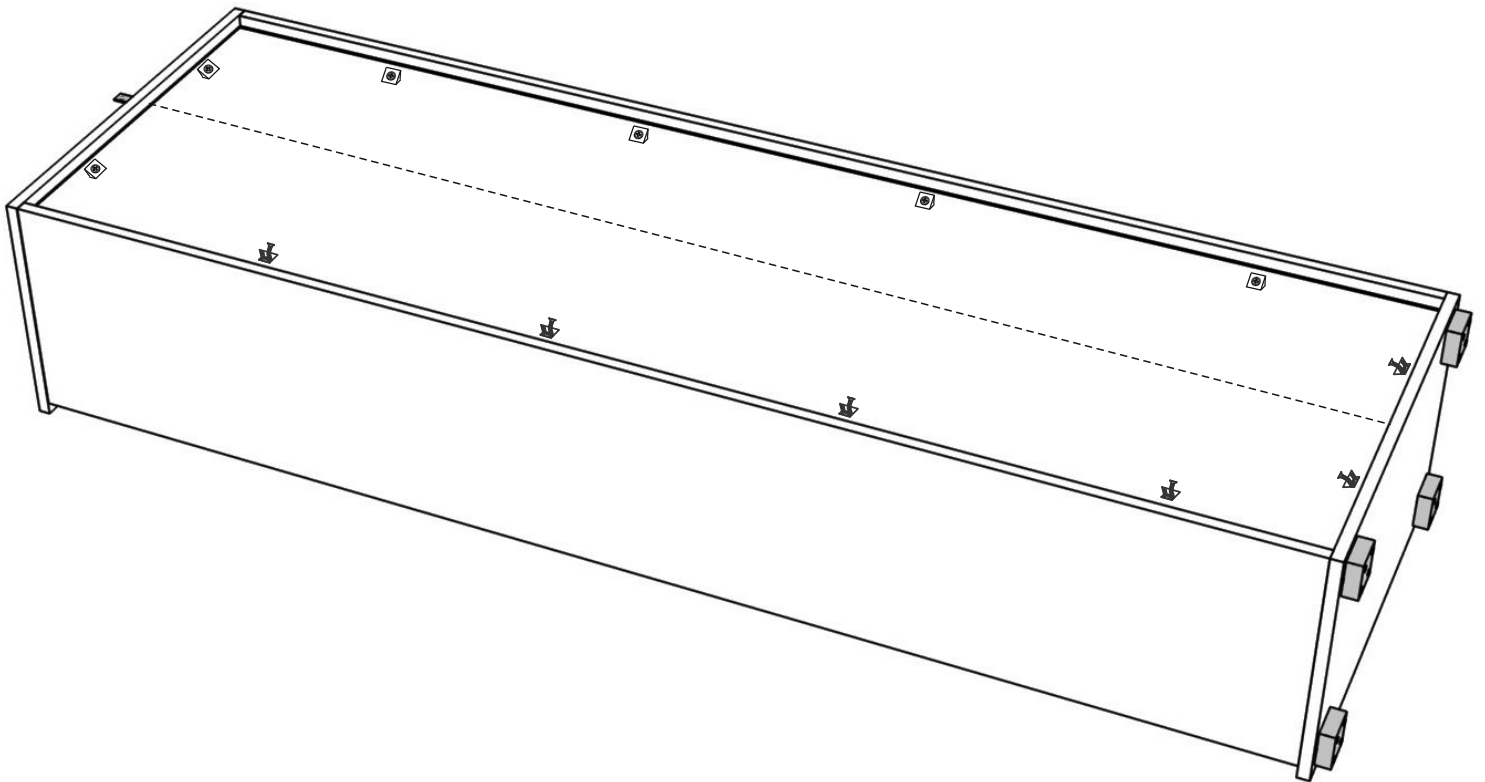
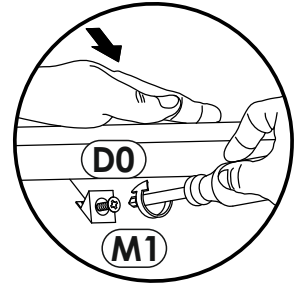
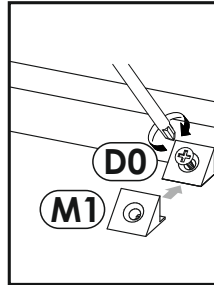
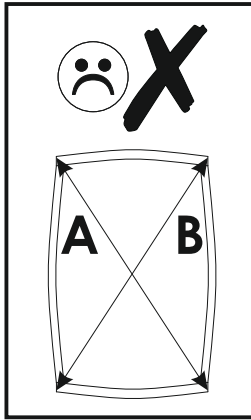
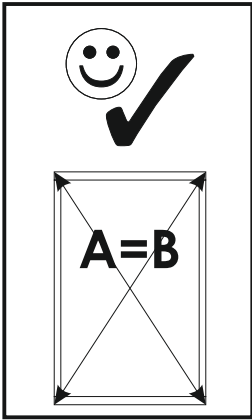


5 ▶



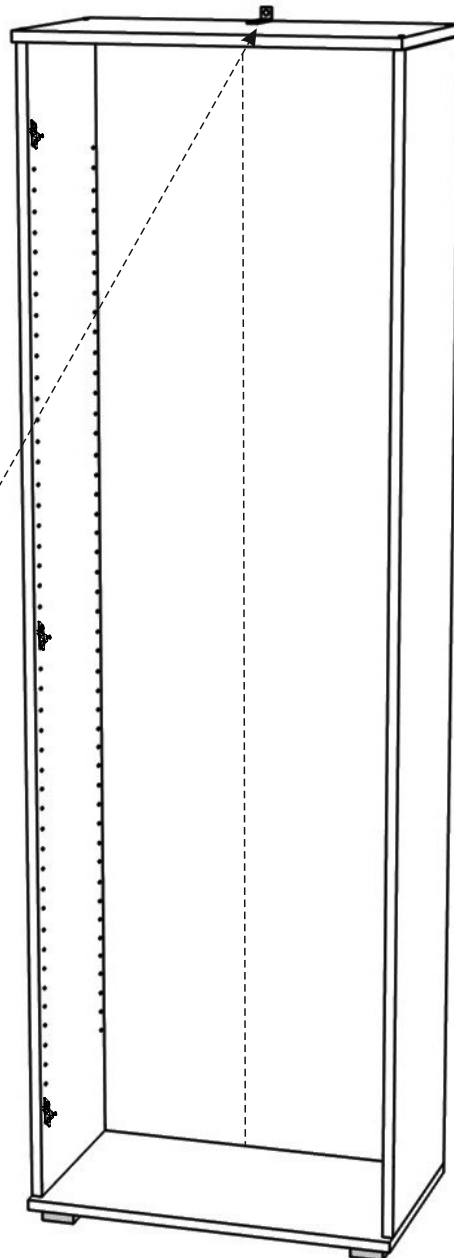
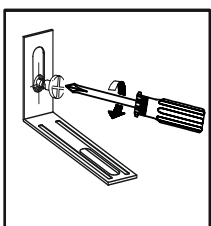
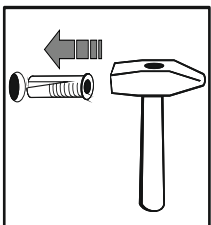
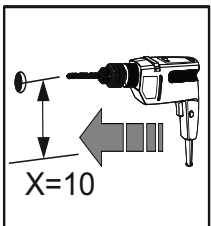
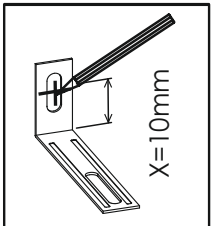
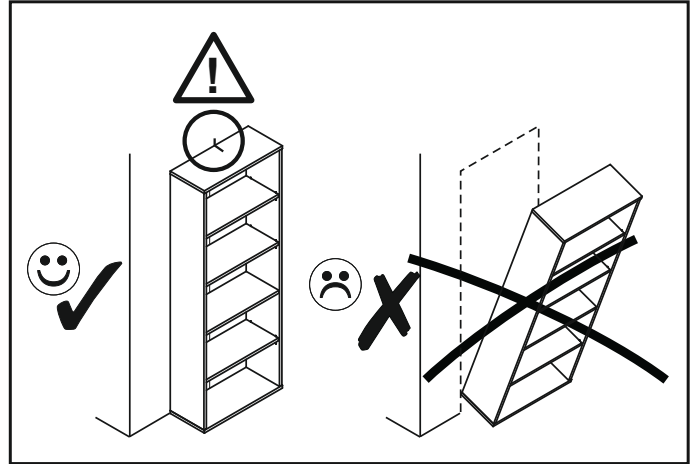
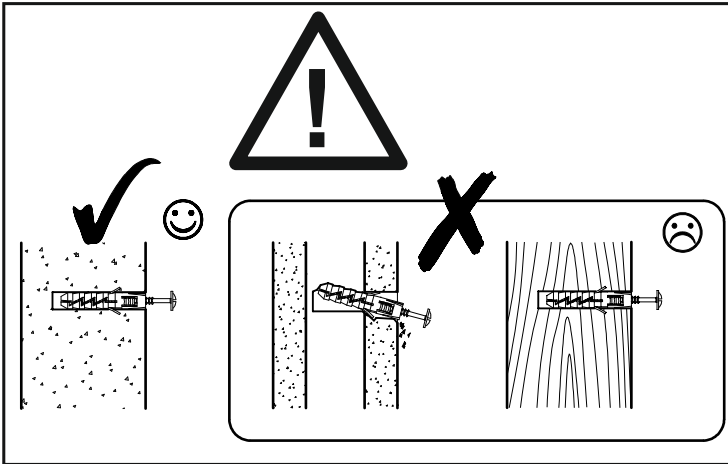
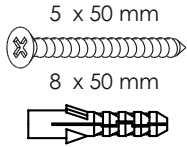
6 ▶

D0	3 x 15 mm	x12	M1		x12
					

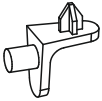



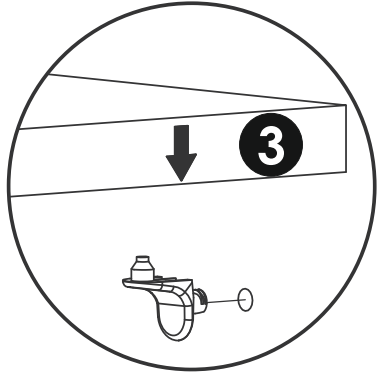
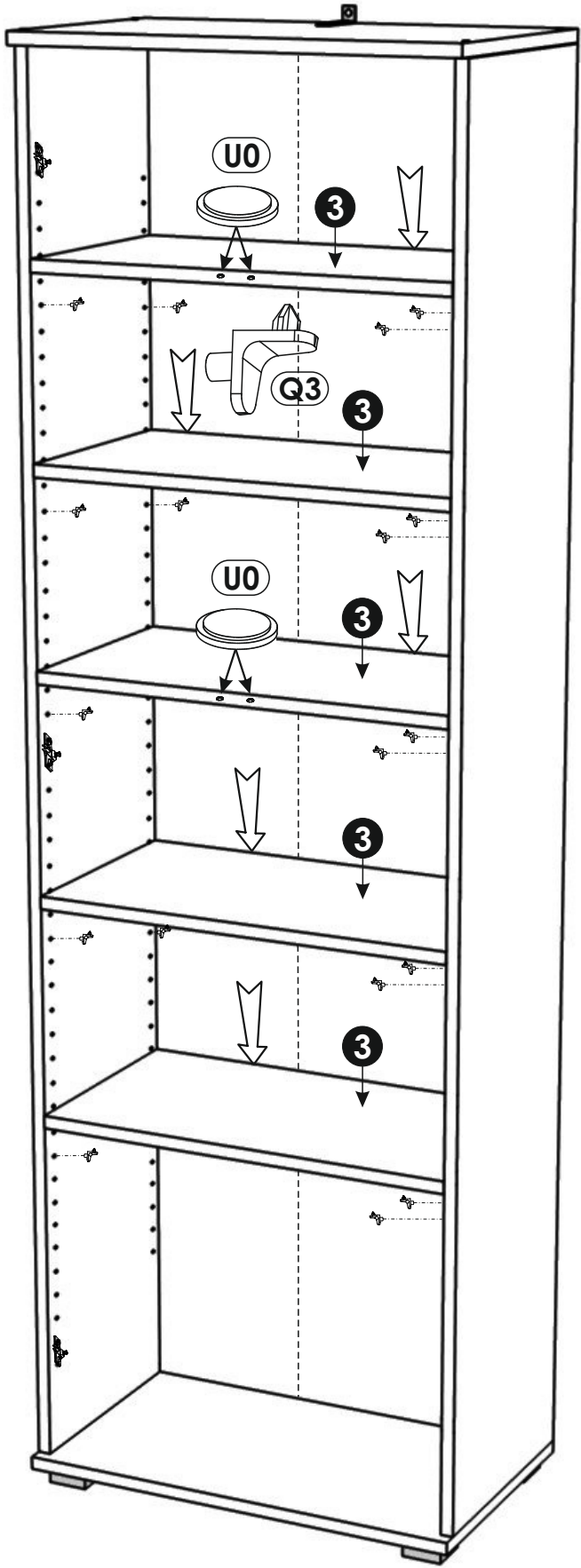
7 ▶

(E0) 5 x 50 mm **x1**
8 x 50 mm

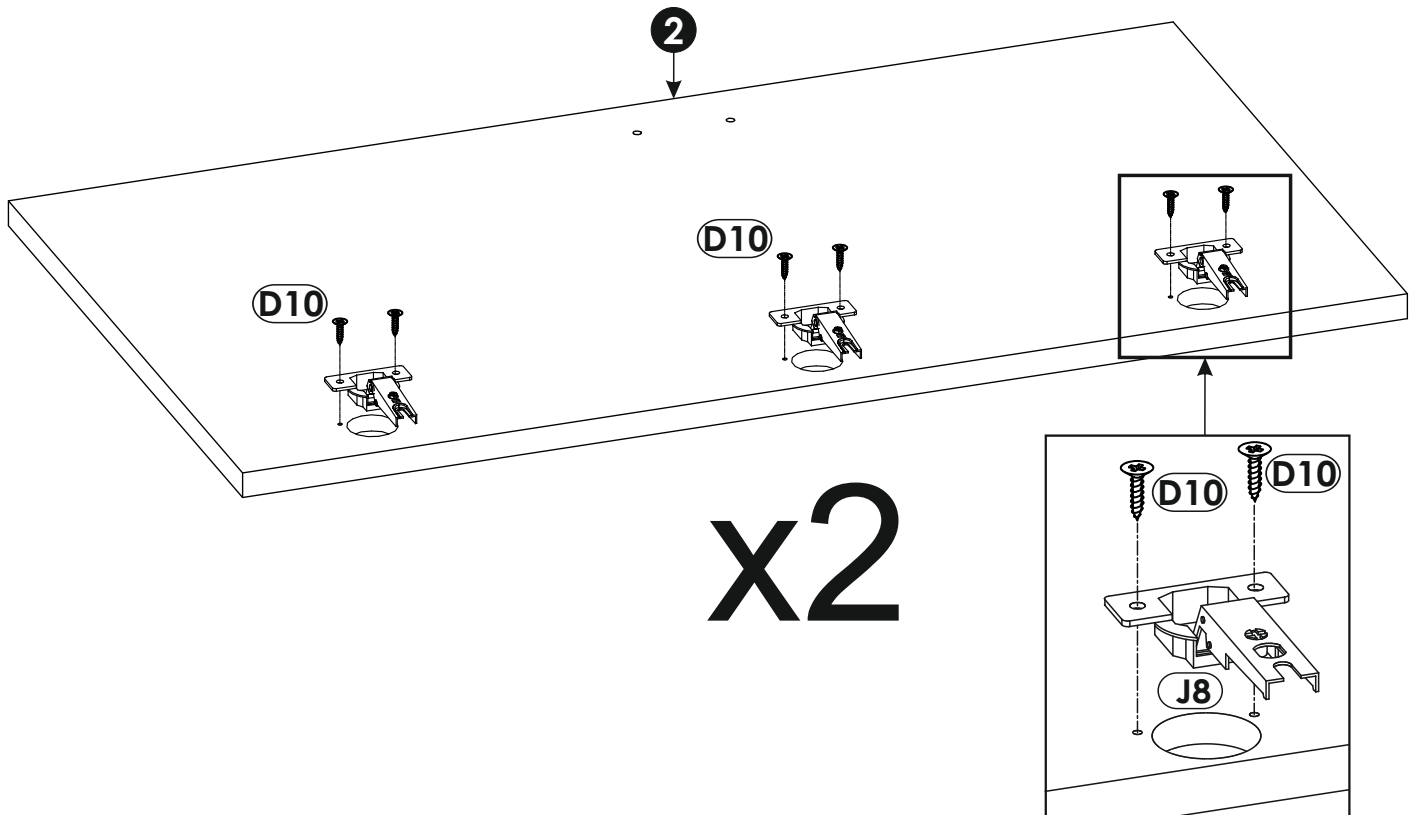
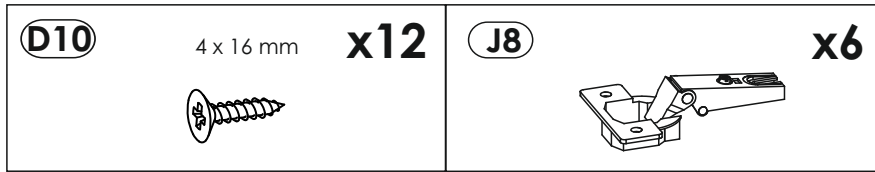


8 ▶

Q3	 x20	U0	 x4
-----------	--	-----------	--



9 ▶



10 ▶

