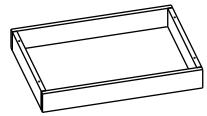




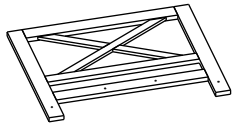
x 2



x 2



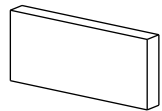
x 1



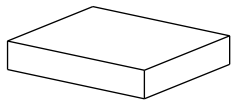
x 1



x 1



x 1



x 1



M6 x 110

x 11



x 8



M4 x 30

x 4



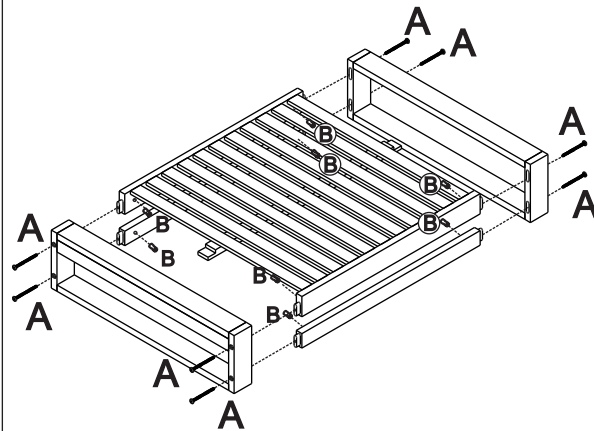
M8 x 30

x 4

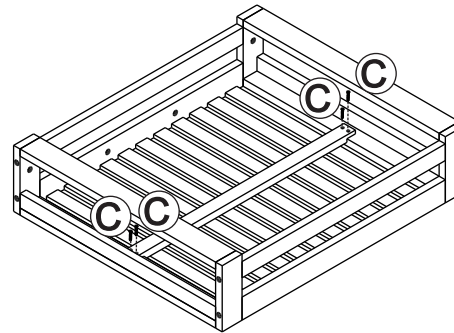


x 2

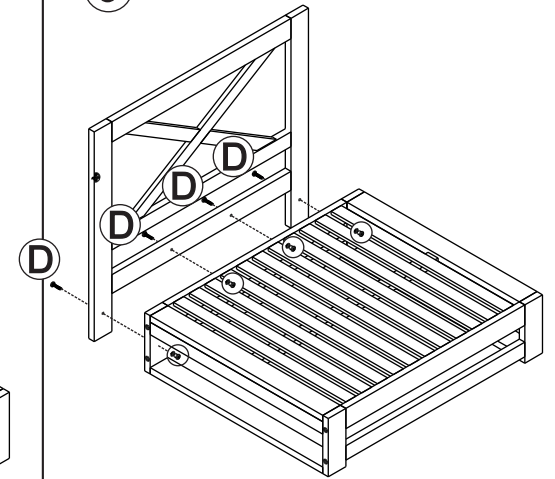
①



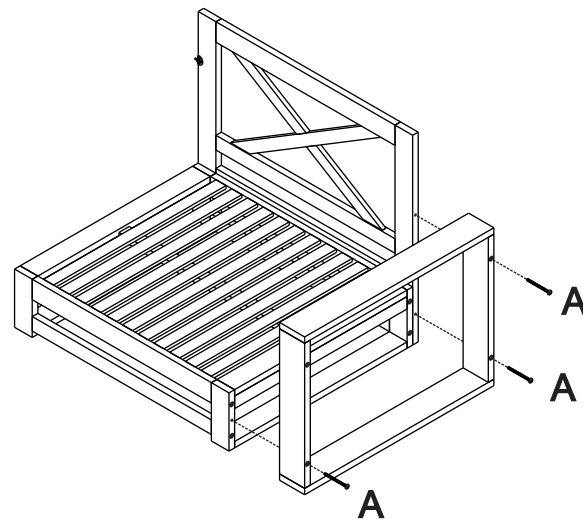
②



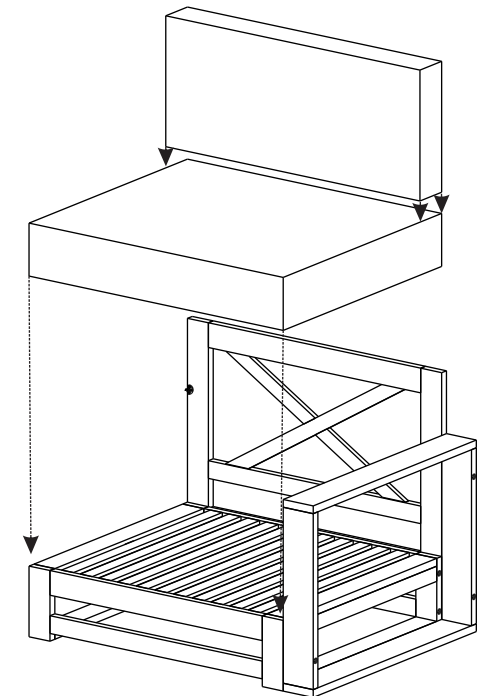
③



④



⑤

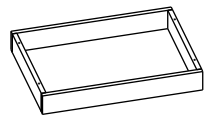




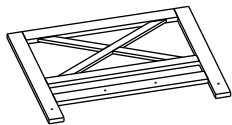
x 2



x 2



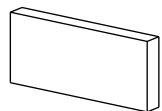
x 1



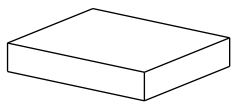
x 1



x 1



x 1



x 1



M6 x 110

x 11



x 8



M4 x 30

x 4



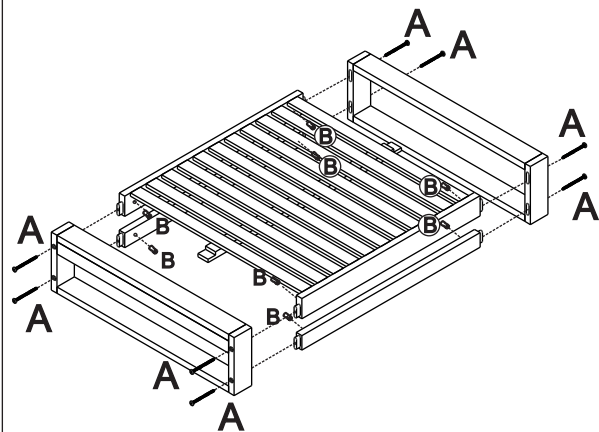
M8 x 30

x 4

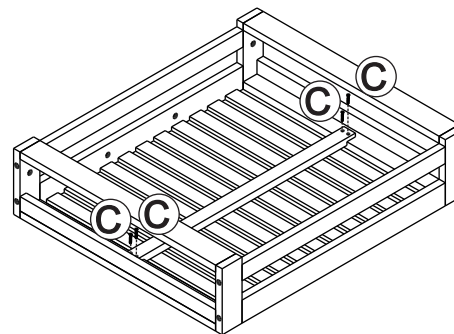


x 2

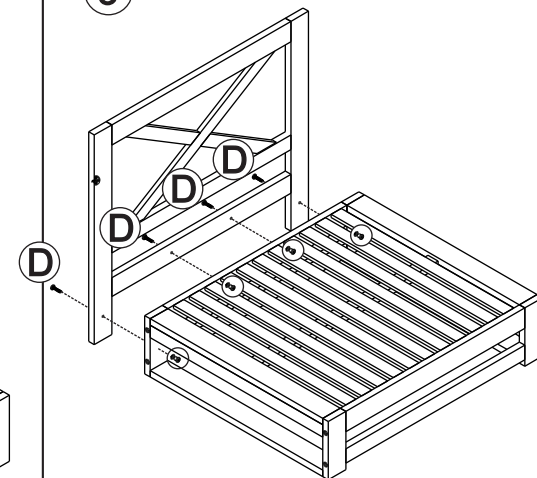
①



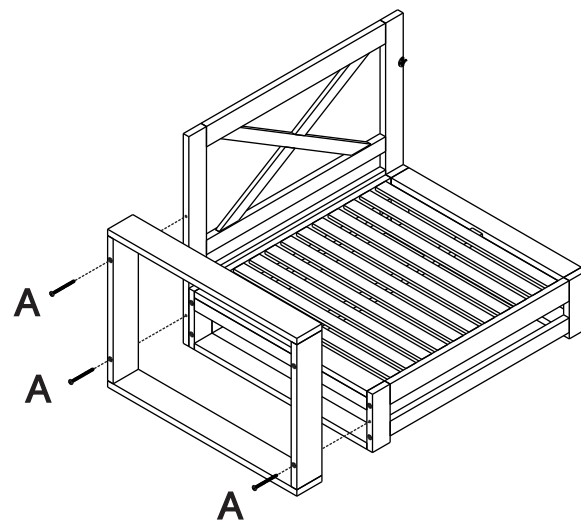
②



③



④



⑤

