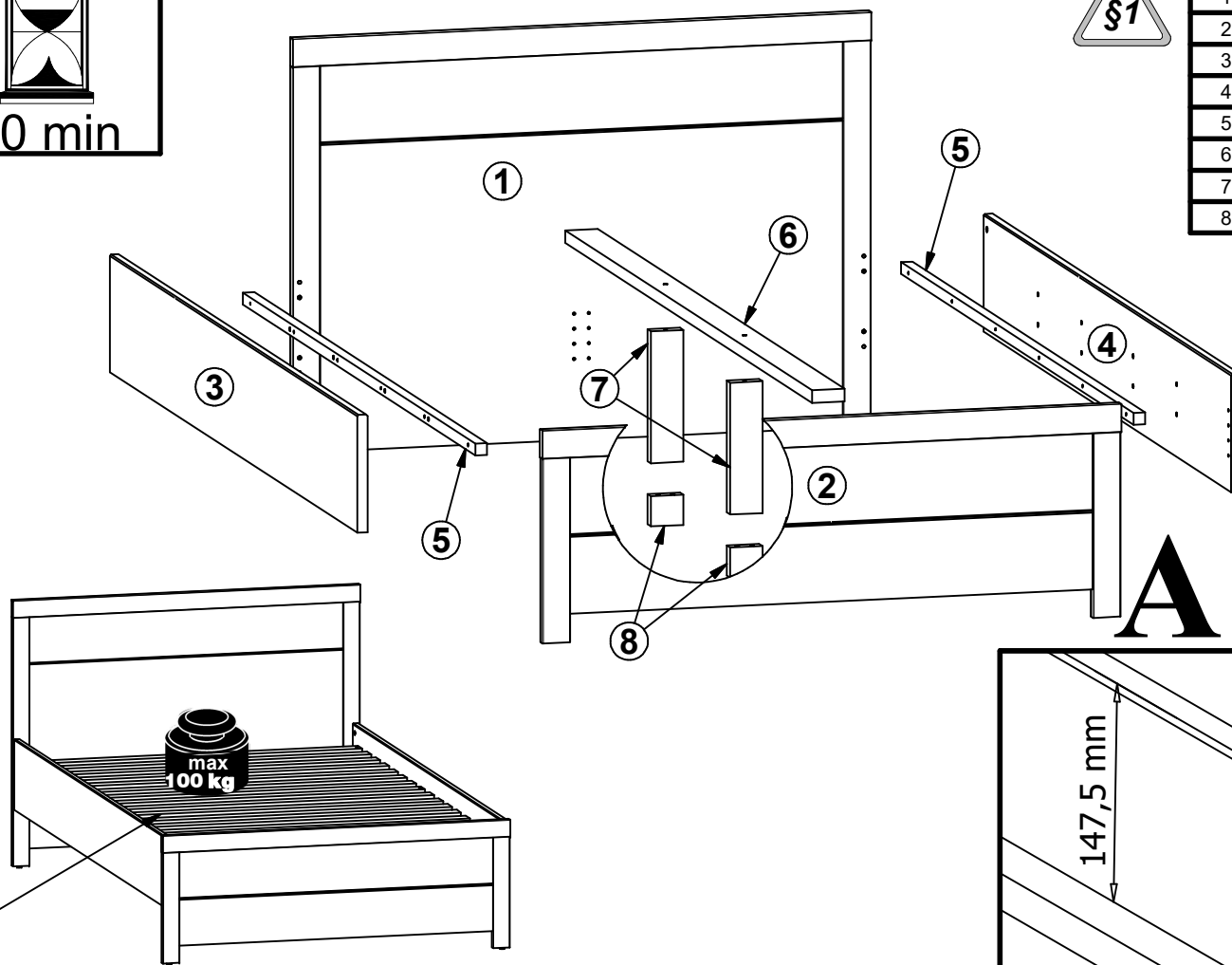


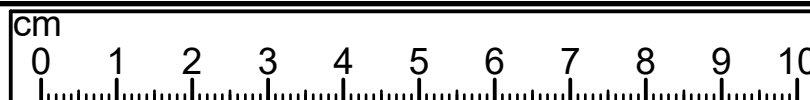
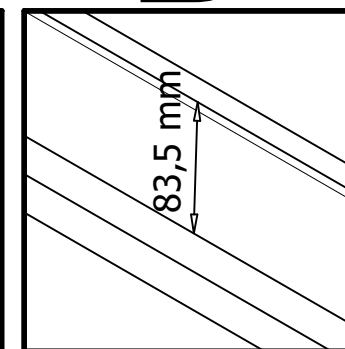
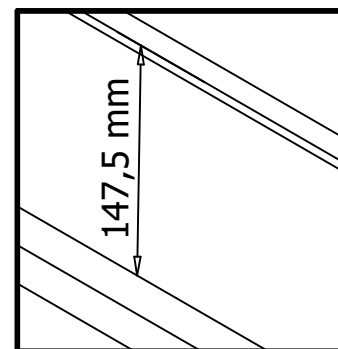
A	B	C (mm)			D
1	S476-0005	1253	940	22	1/2
2	S476-0006	1253	452	22	1/2
3	S476-1012	2000	250	22	2/2
4	S476-1013	2000	250	22	2/2
5	ZZ1-747	1880	25	25	2/2
6	ZZ1-718	1995	70	27	2/2
7	ZZ1-430	280	70	27	2/2
8	ZZ1-431	64	70	27	2/2



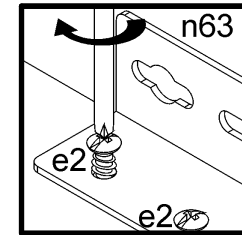
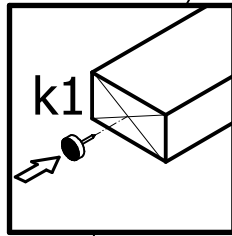
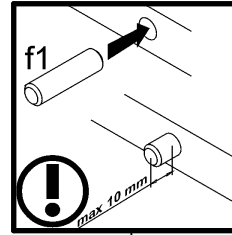
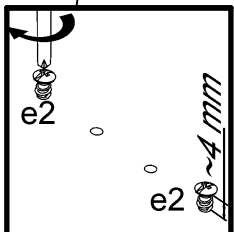
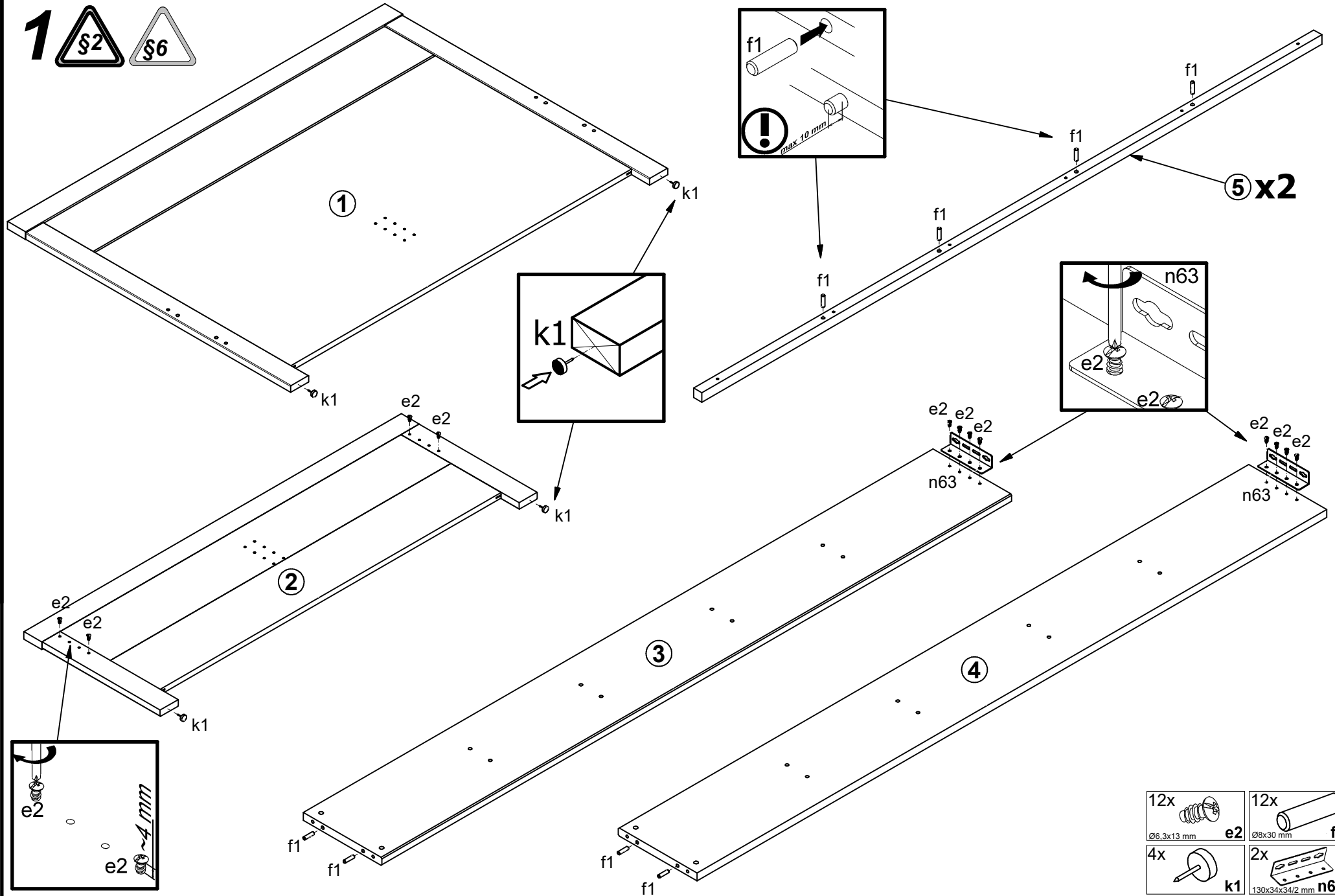
A



B

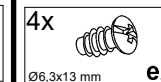
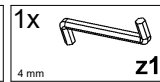
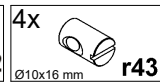
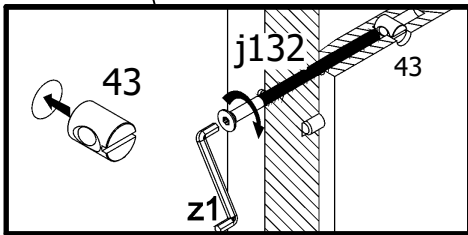
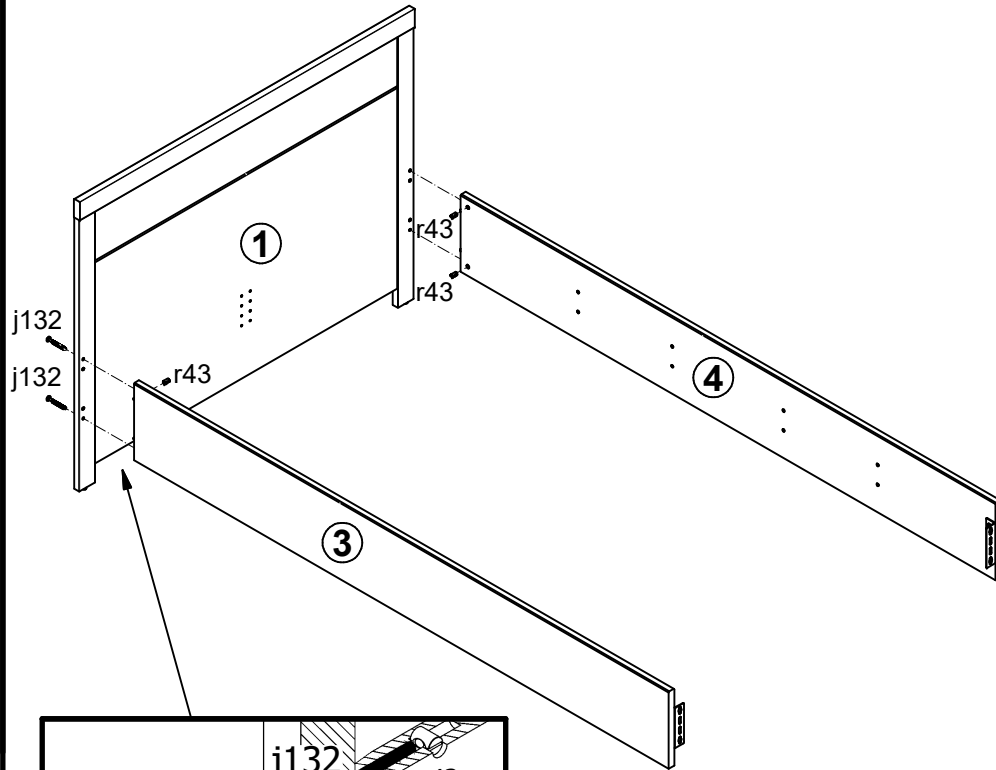


- 16x e2 Ø6,3x13 mm
- 8x e3 Ø6x13 mm
- 2x e8 Ø7x60 mm
- 12x f1 Ø8x30 mm
- 4x f6 Ø8x50 mm
- 4x j132 M6x65 mm
- 4x k1
- 2x n63 130x34x34/2 mm
- 2x n111 70x50x45/2 mm
- 6x p6 Ø4x35 mm
- 12x p10 Ø4x40 mm
- 4x p16 Ø3,5x25 mm
- 4x r43 Ø10x16 mm
- 1x z1 4 mm

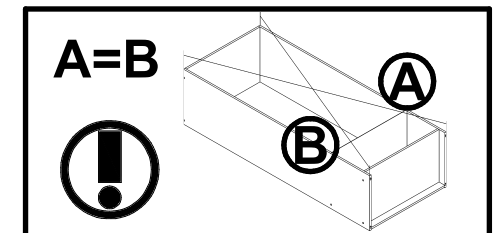
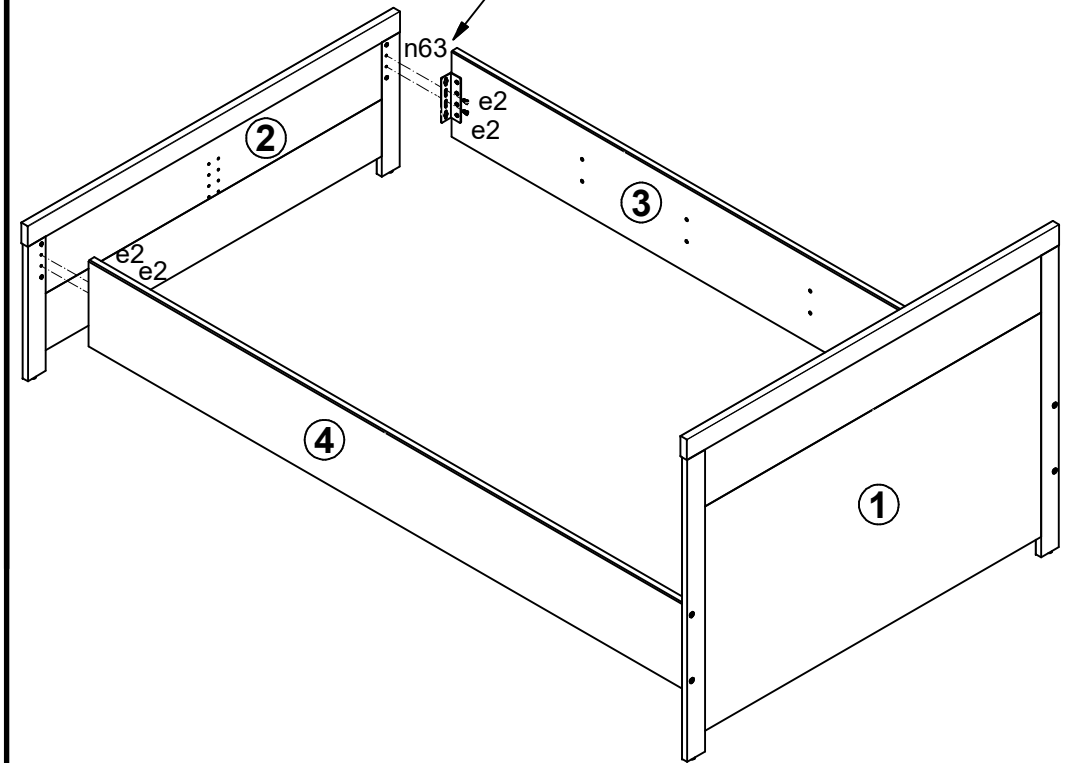
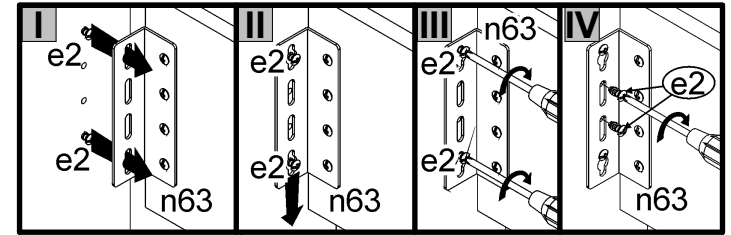


12x Ø6,3x13 mm e2	12x Ø8x30 mm f1
4x k1	2x 130x34x34/2 mm n63

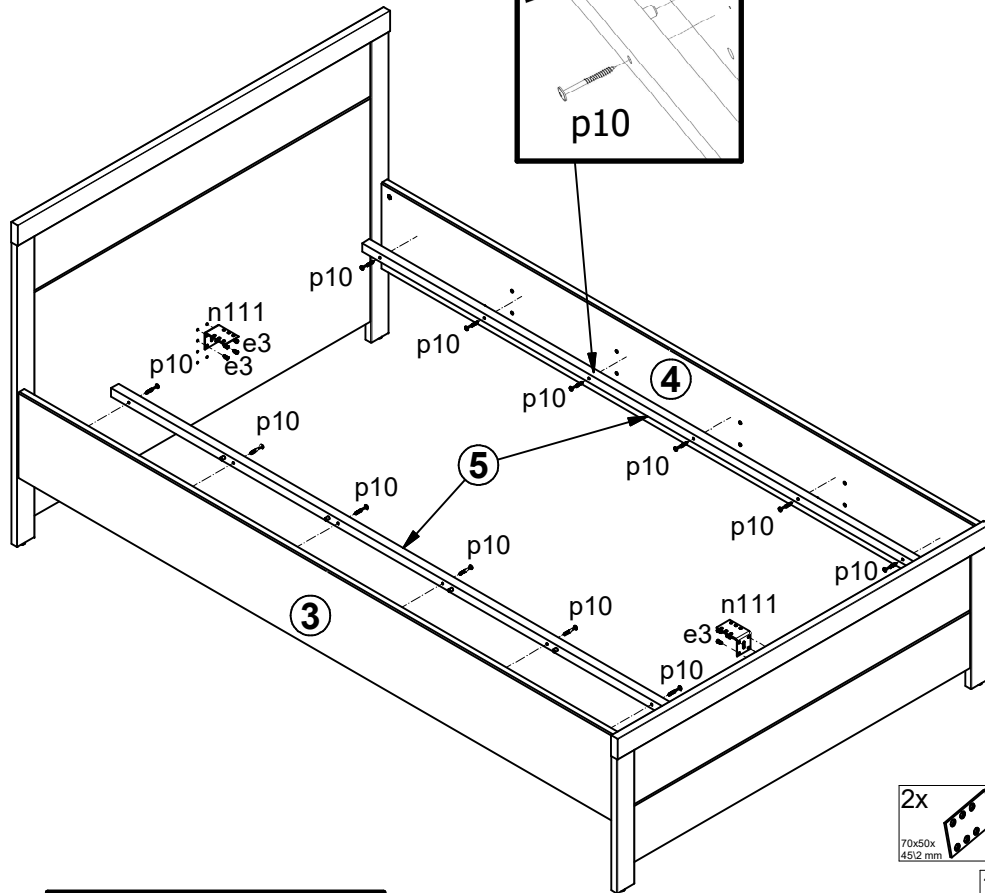
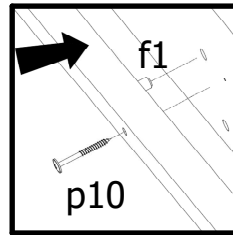
2 



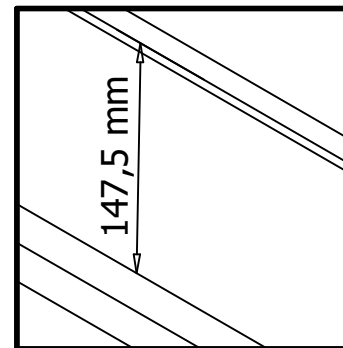
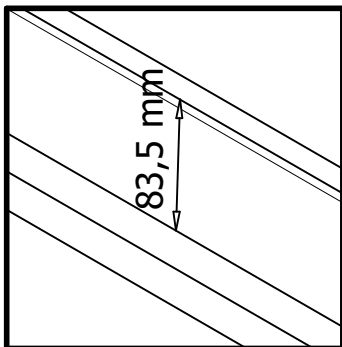
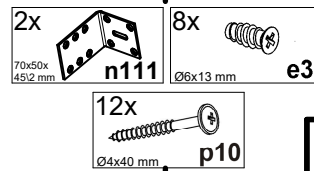
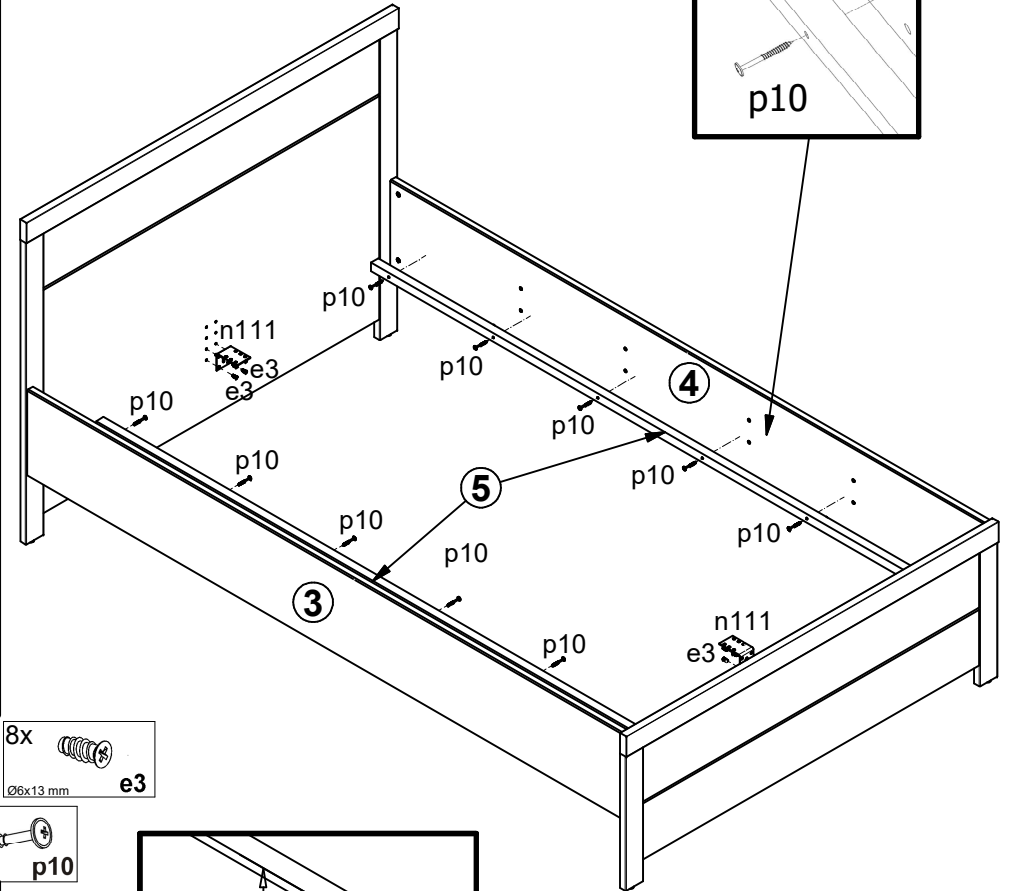
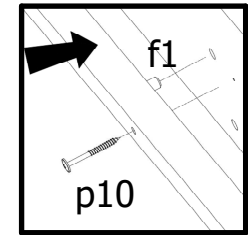
3 



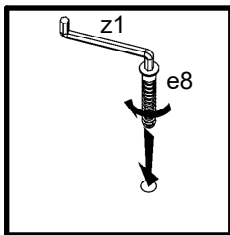
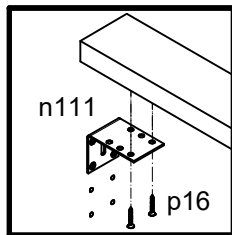
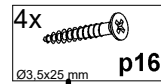
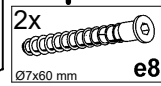
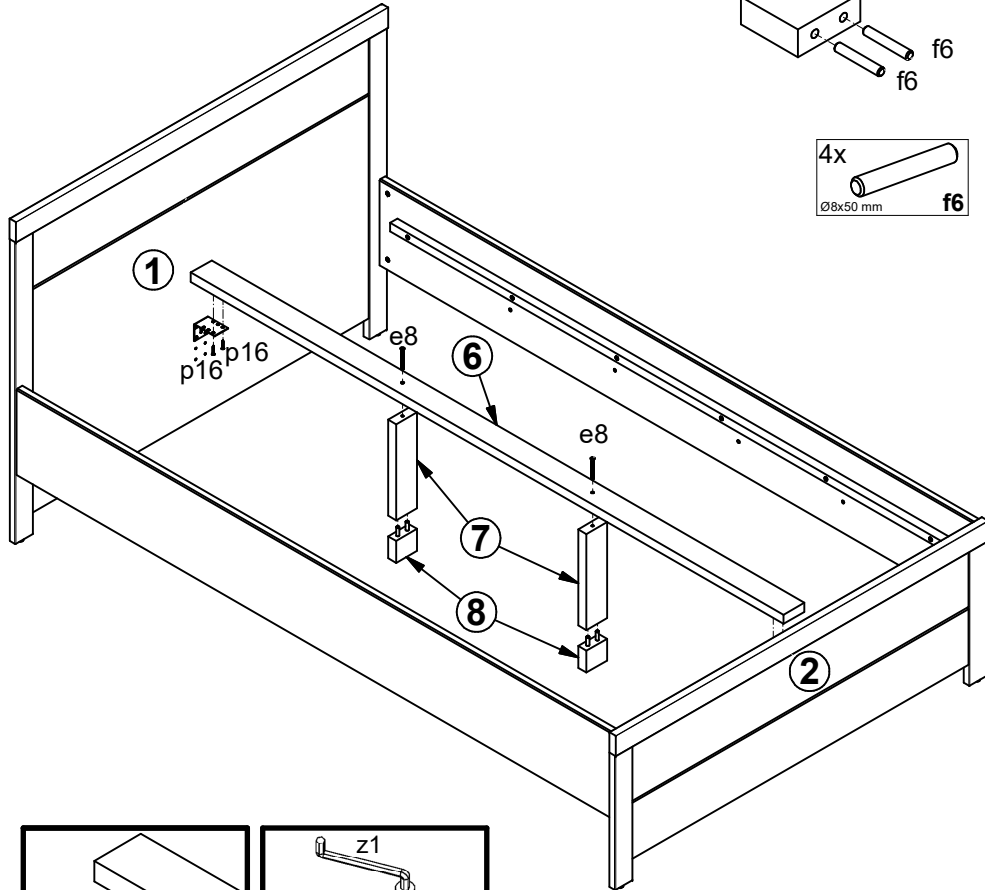
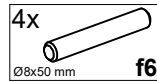
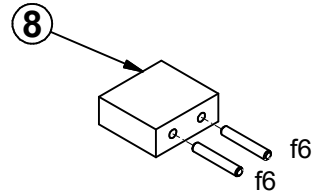
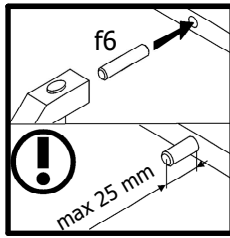
4A §6 §14



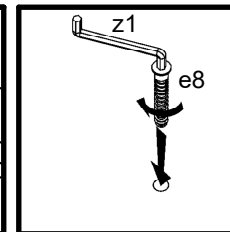
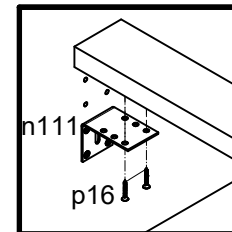
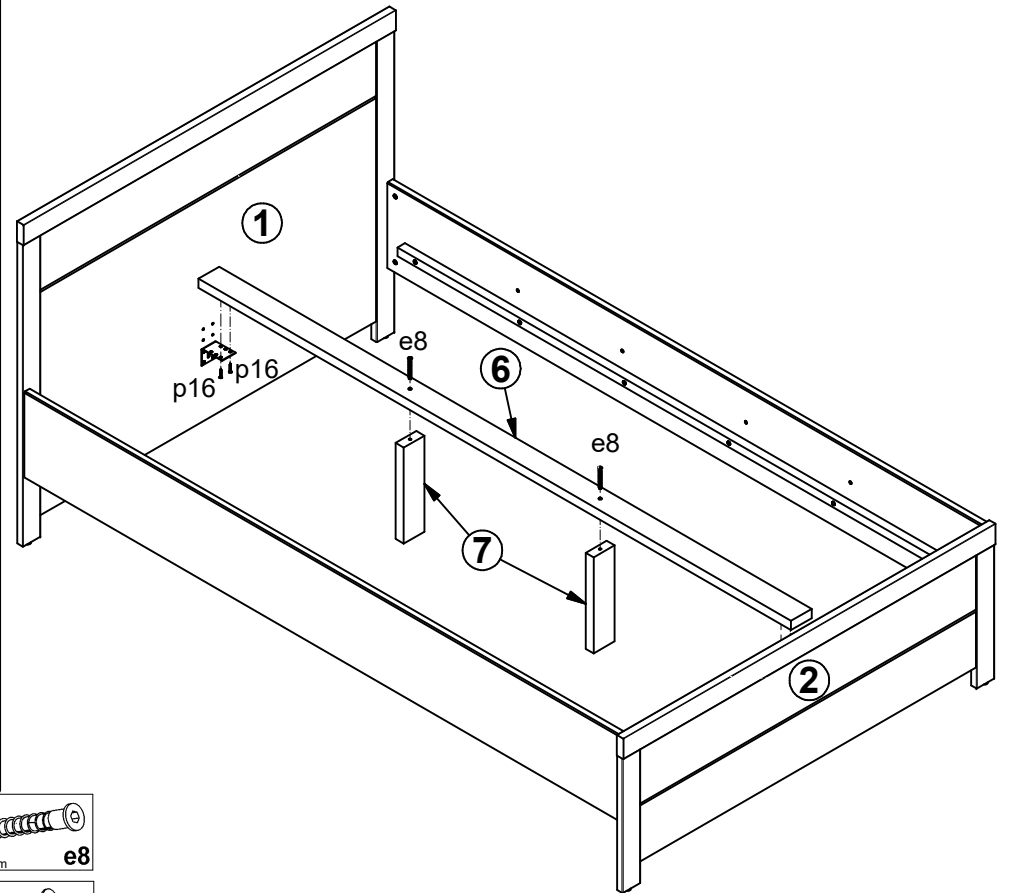
4B §6 §14



5A



5B



6 §6

