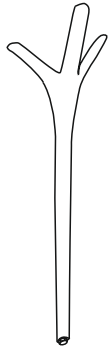
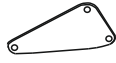




x1

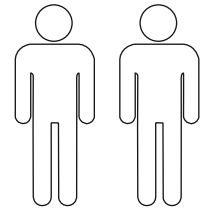
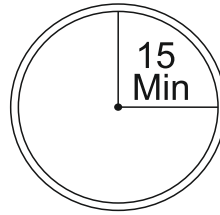


x4



x4

Art. No.67641-180

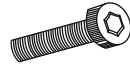


(1)

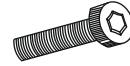
(2)

(3)

(4)



(8x25mm)
(12 Pcs.)



(8x20mm)
(12 Pcs.)

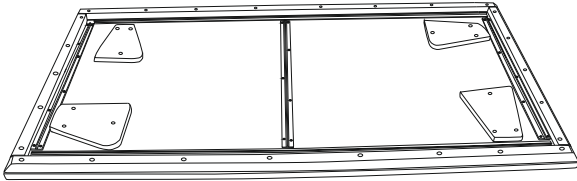


(24 Pcs.)

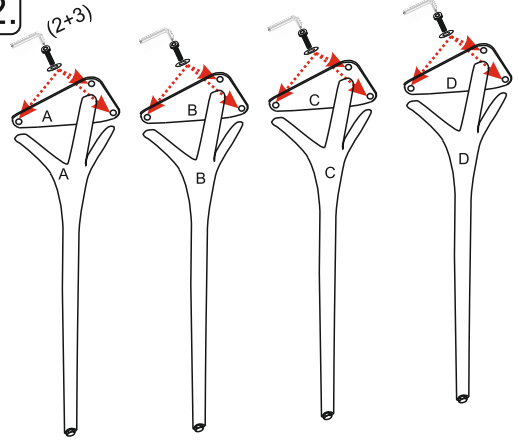


(1 Pcs.)

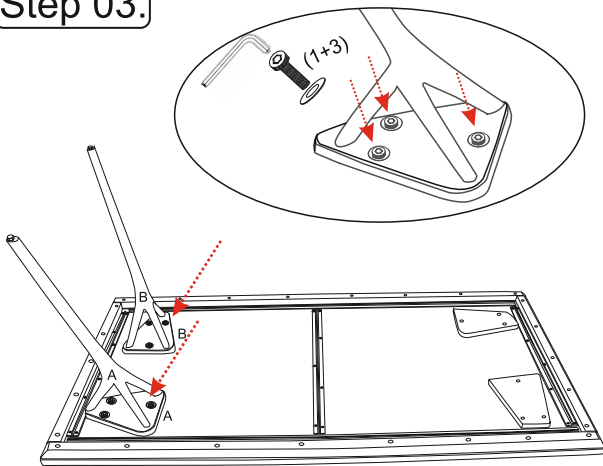
Step 01.



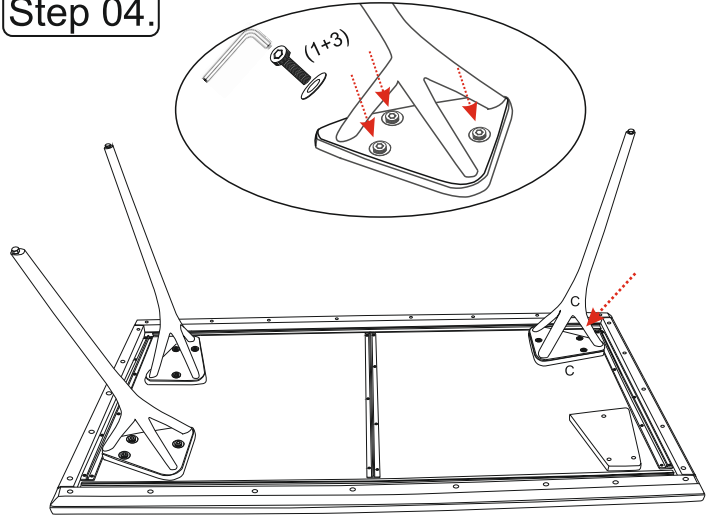
Step 02.



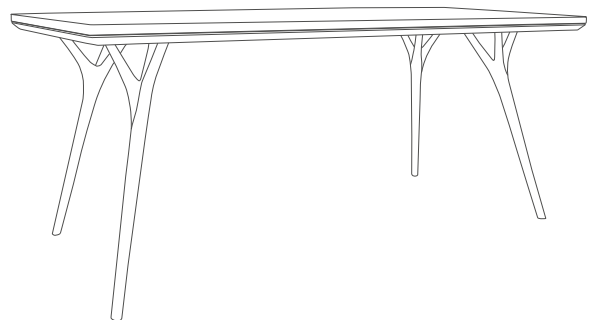
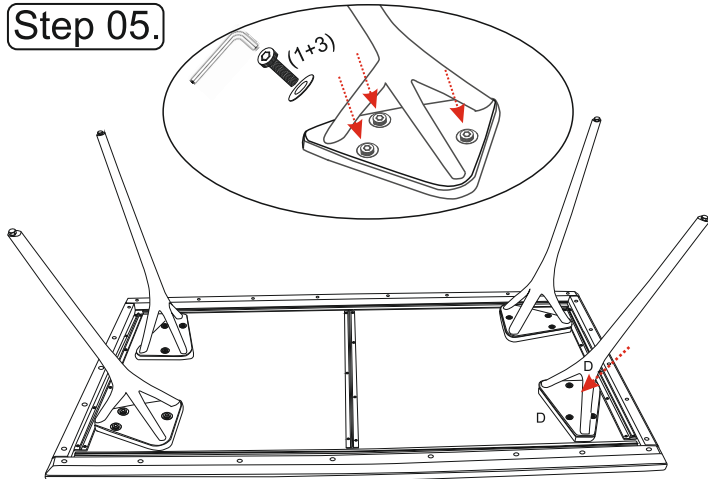
Step 03.



Step 04.



Step 05.



Assembled Product