

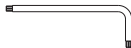
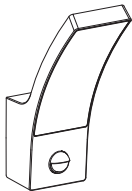
PHILIPS

Splay
9290031886
9290031888

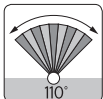
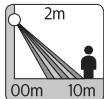
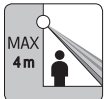
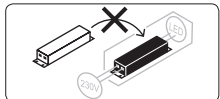
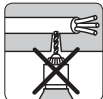
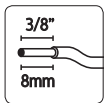
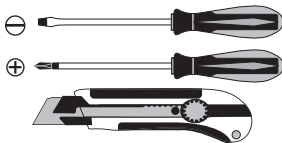
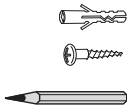
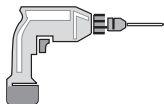


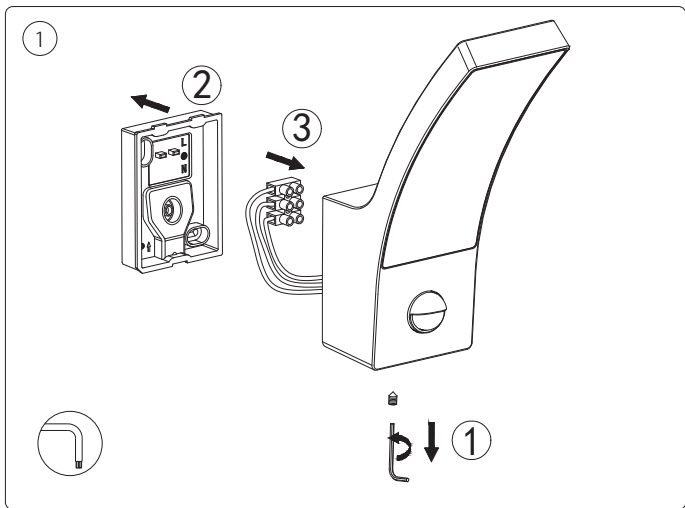
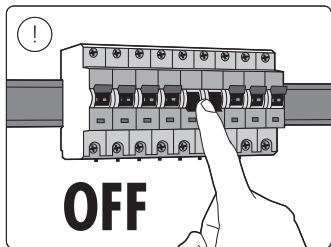
User manual
Benutzerhandbuch
Notice d'emploi
Manual de usuario
Manual do usuário
Manuale d'uso
Gebruiksaanwijzing

Incl.

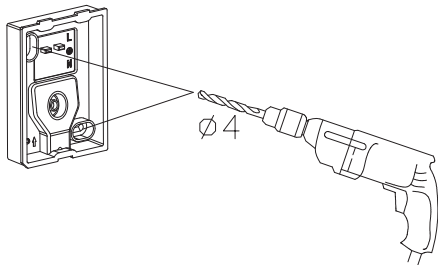


Excl.

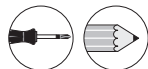
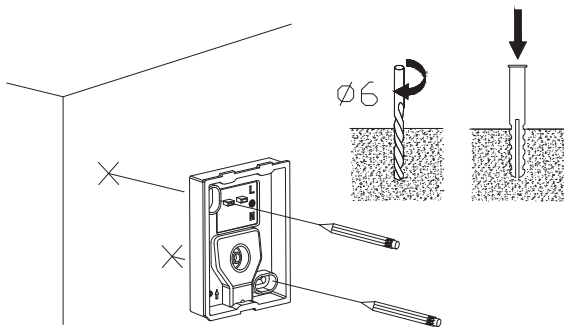




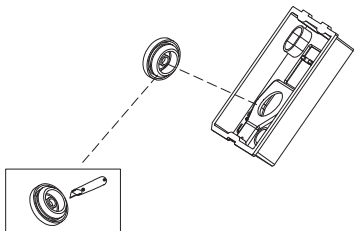
2



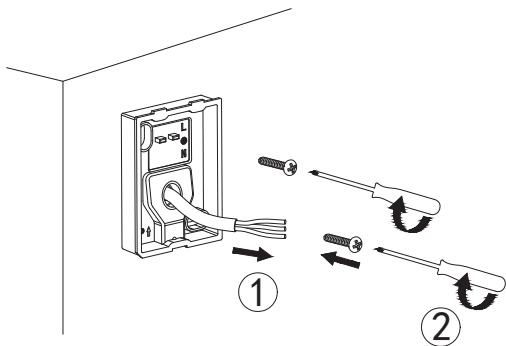
3

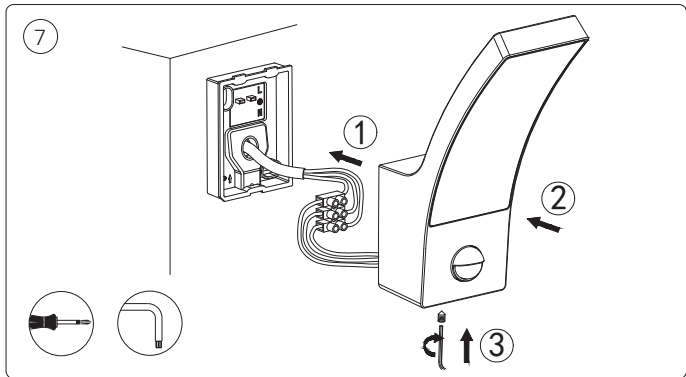
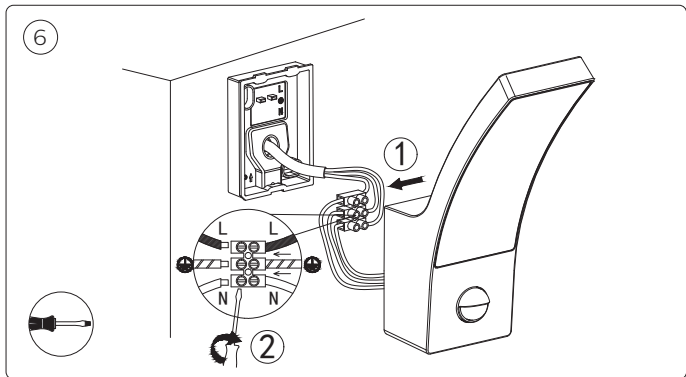


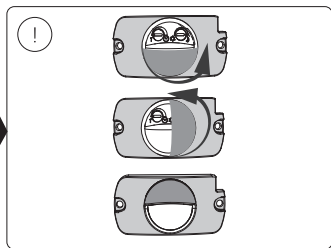
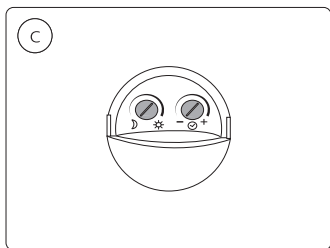
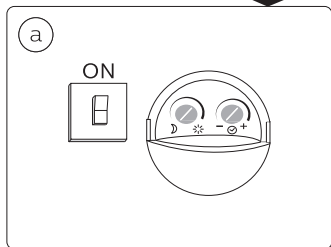
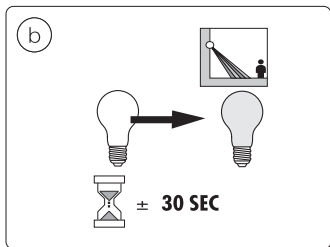
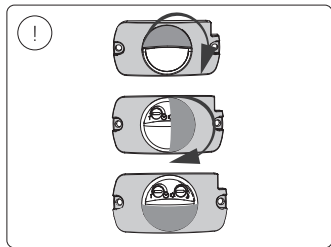
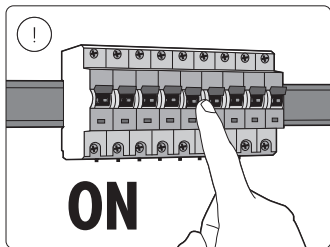
4



5









Signify Commercial UK Limited
Unit 3, Guildford Business Park,
Guildford, Surrey, GU2 8XG, UK

Signify
I.B.R.S. / C.C.R.I. Numéro 10461
5600 VB Eindhoven, the Netherlands
00800-74454775

All rights reserved

Philips and the Philips Shield Emblem
are registered trademarks of Koninklijke
Philips N.V. and are used under license.

www.philips.com/lighting

© 2021 Signify Holding
The Signify logo, which consists of a stylized 'S' inside a circle followed by the word "ignify" in a lowercase, sans-serif font.

3241 658 90421