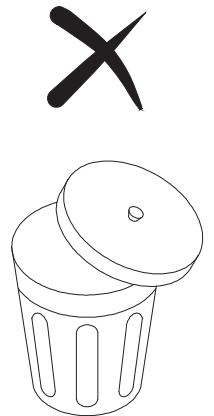
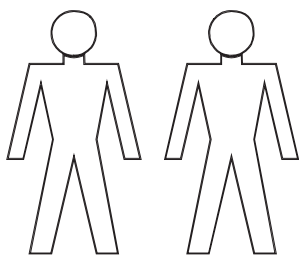
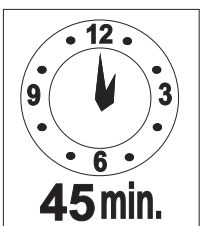
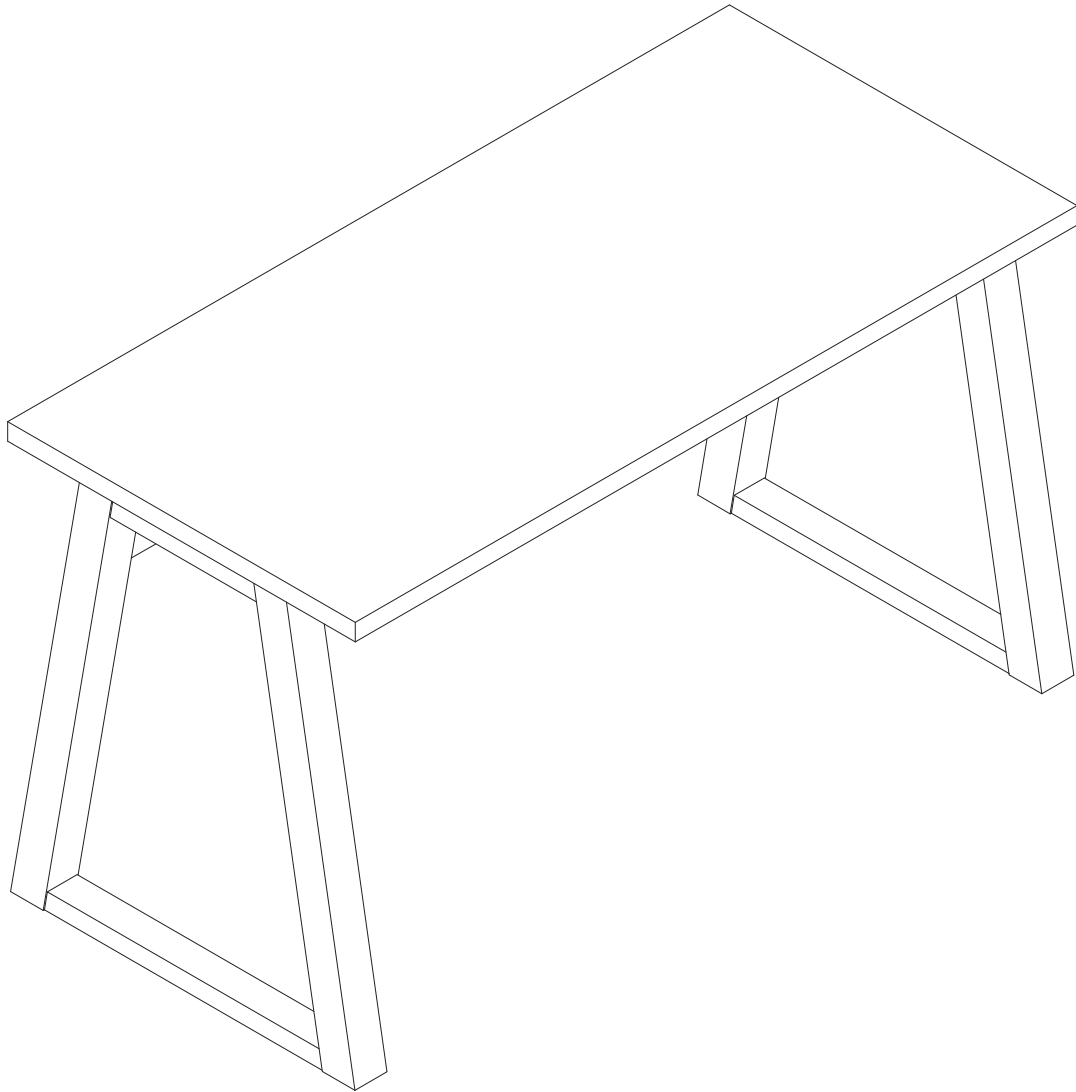
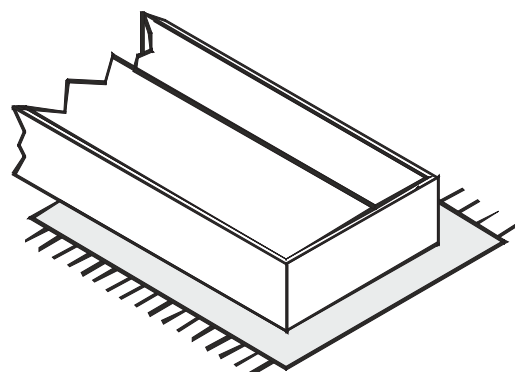
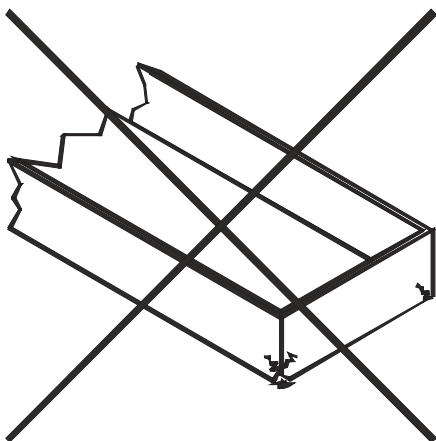
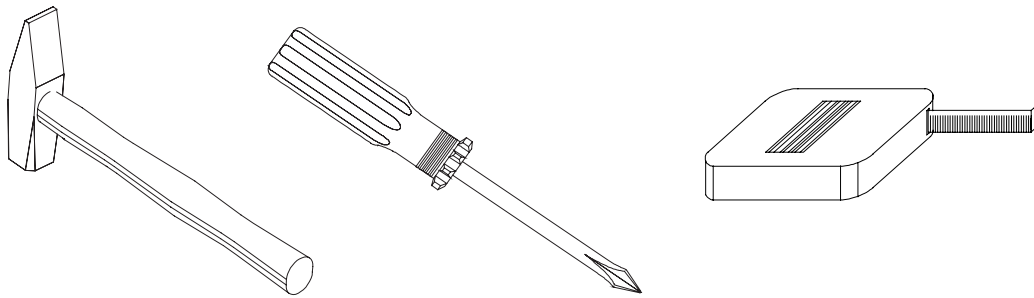
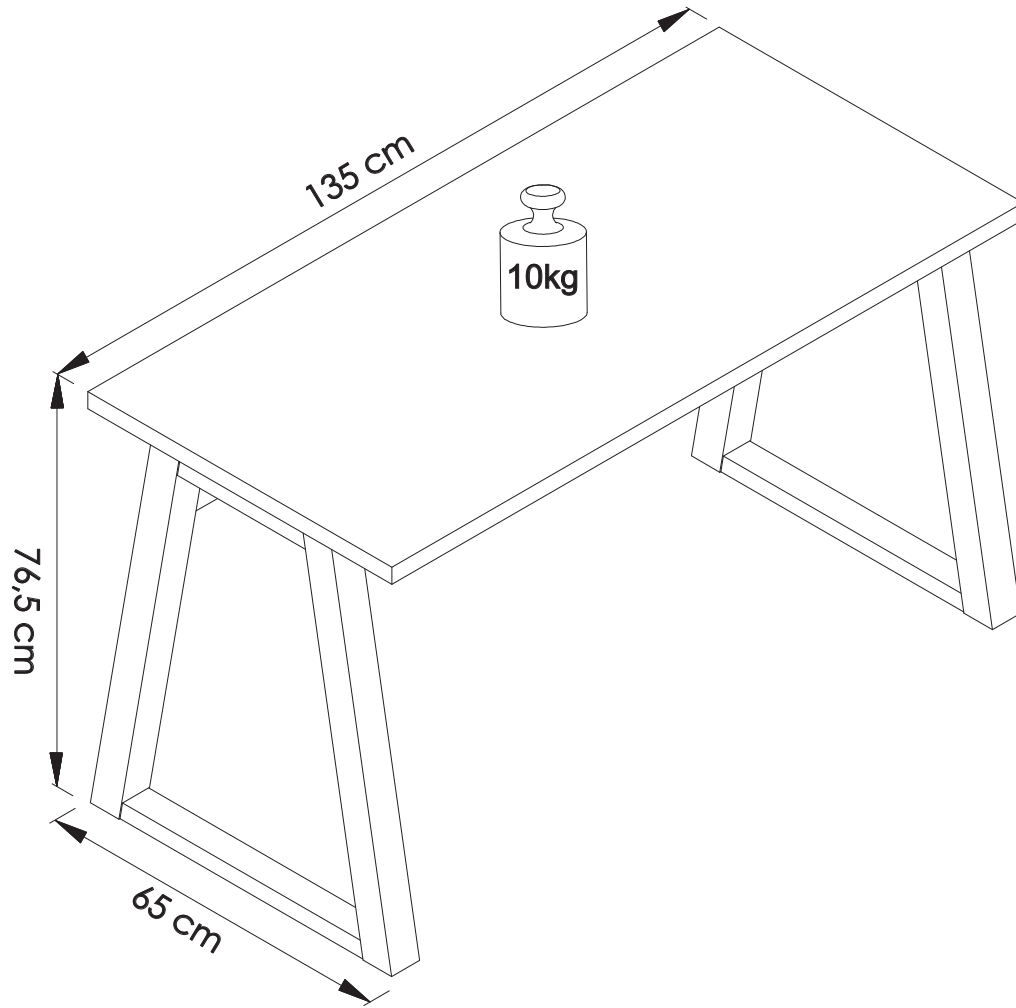
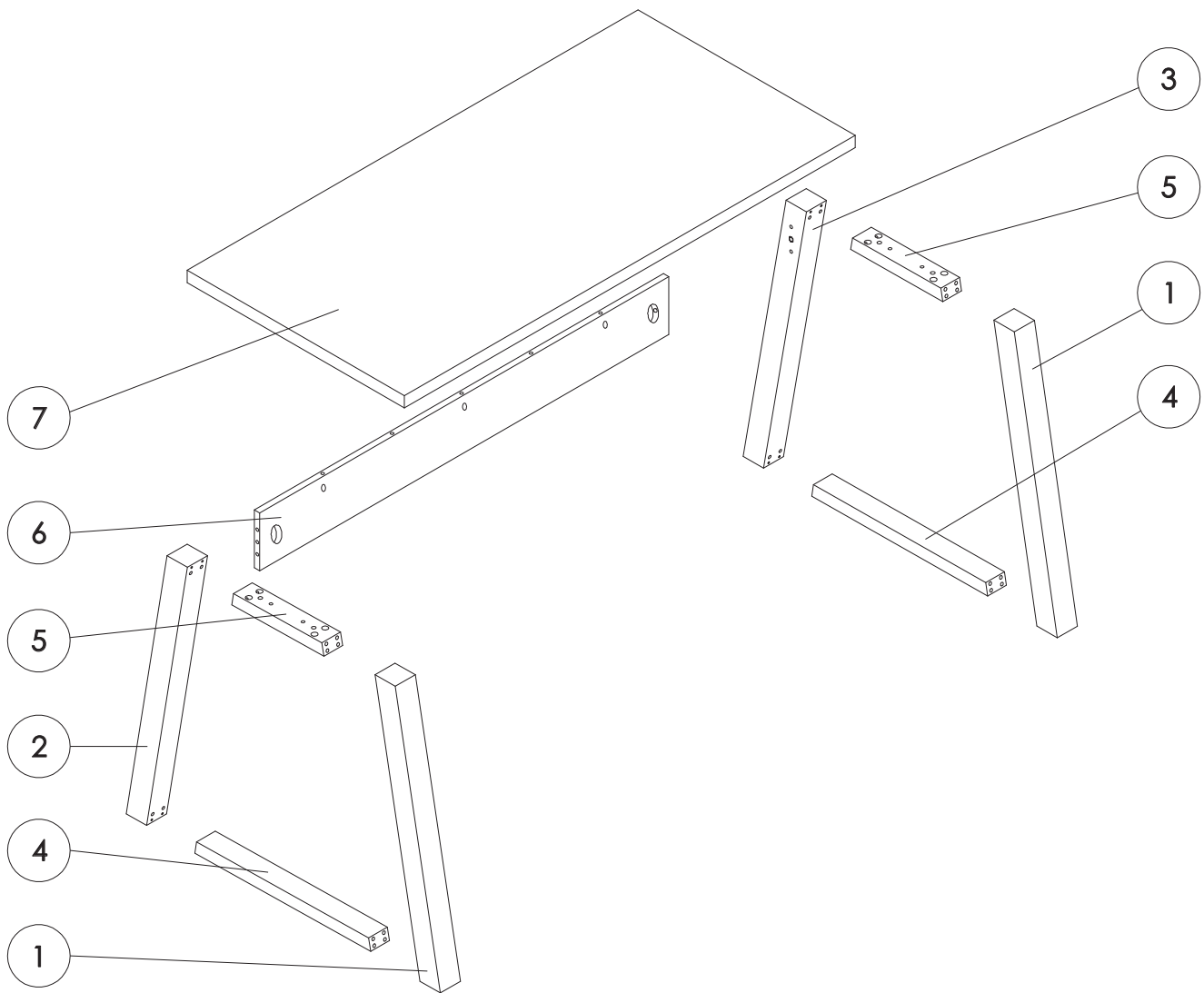


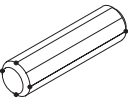
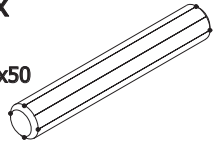
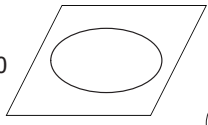
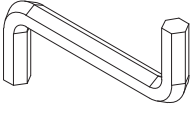
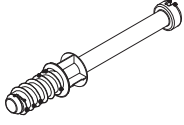

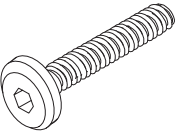

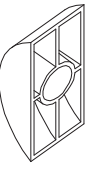
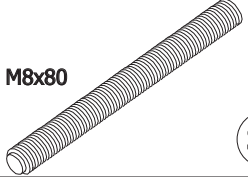
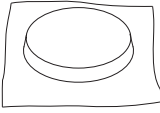

IGA/D





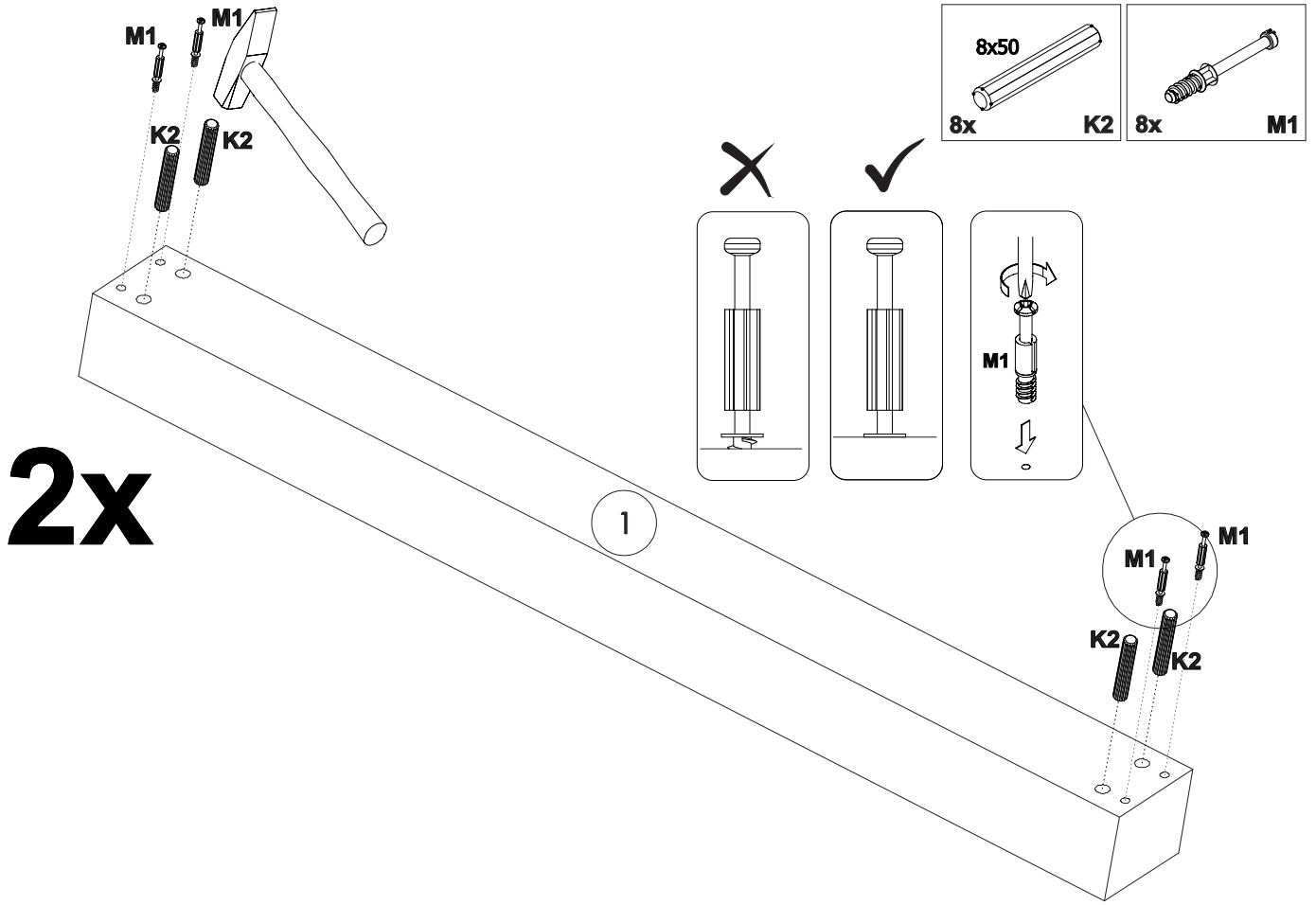


#	L [mm]	H [mm]	T [mm]	PCS.
1	750	60	60	2
2	750	60	60	1
3	750	60	60	1
4	527	56	36	2
5	276	56	36	2
6	1225	150	18	1
7	1350	650	36	1

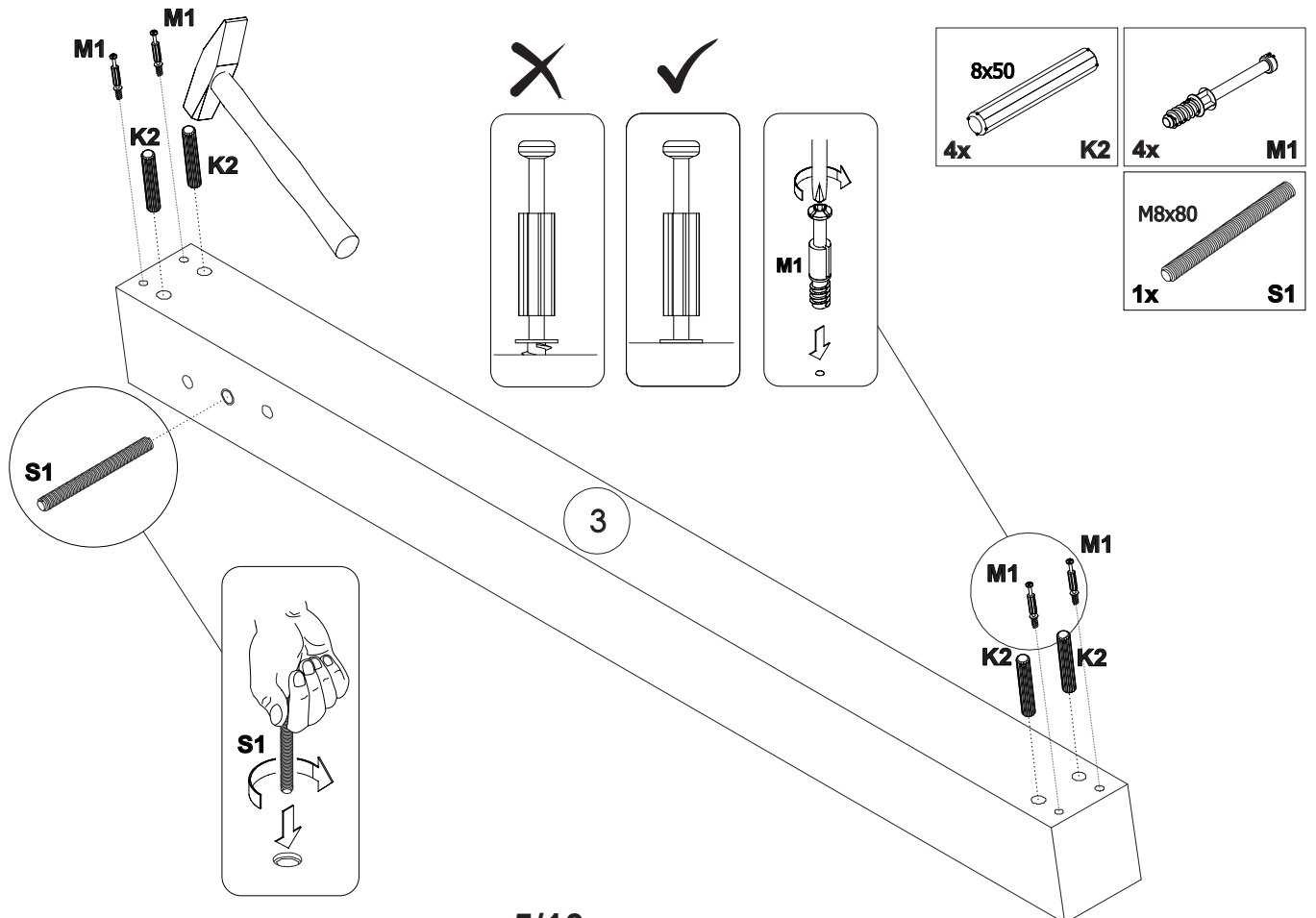
6x 8x35  (K1)	20x 8x50  (K2)	2x Ø40  (B1)	1x  (I1)
19x  (M1)	19x  (M2)	4x  (S2)	2x M8  (N1)
2x  (P)	2x M8x80  (S1)	4x  (F)	1x  (I2)



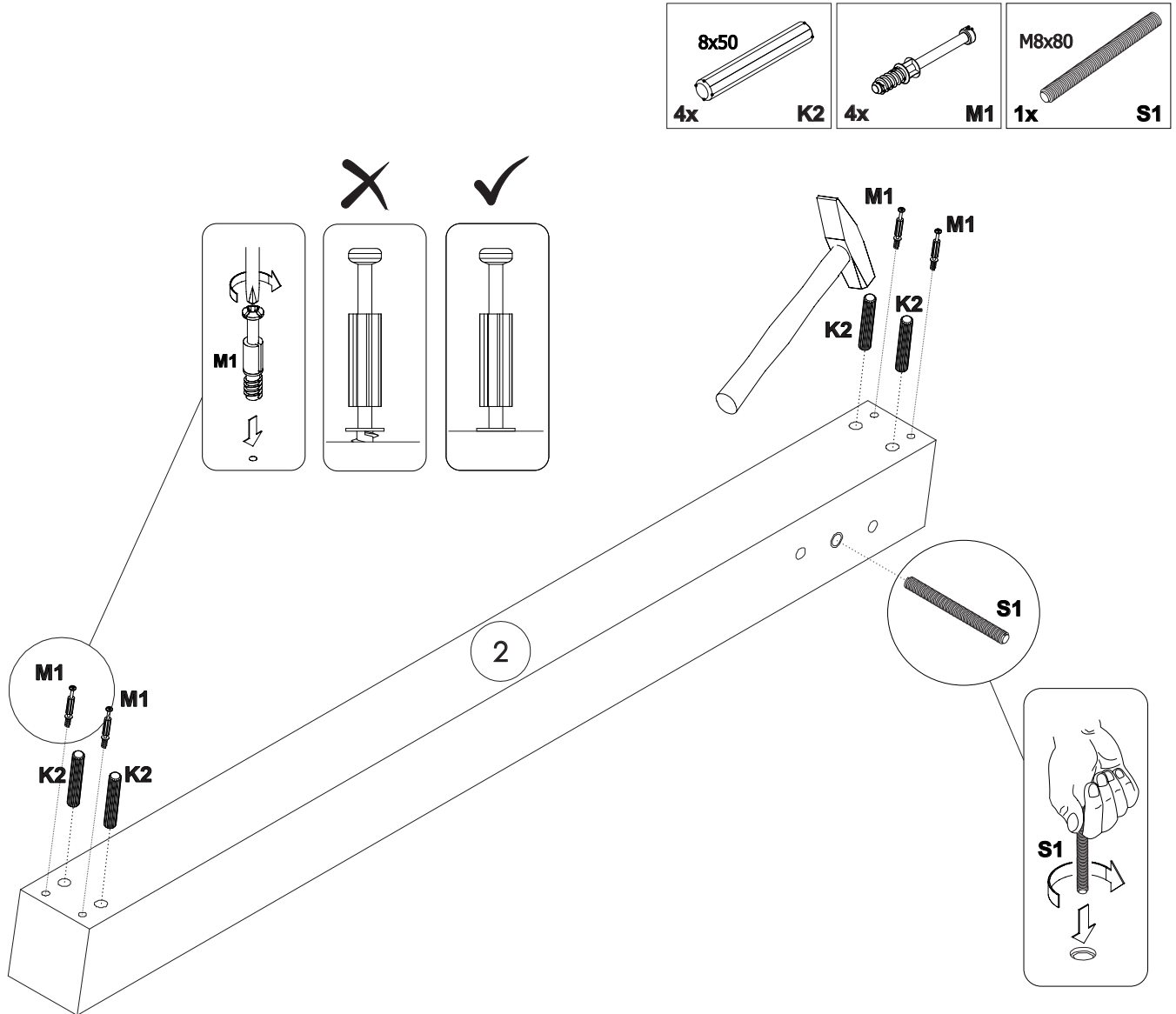
1



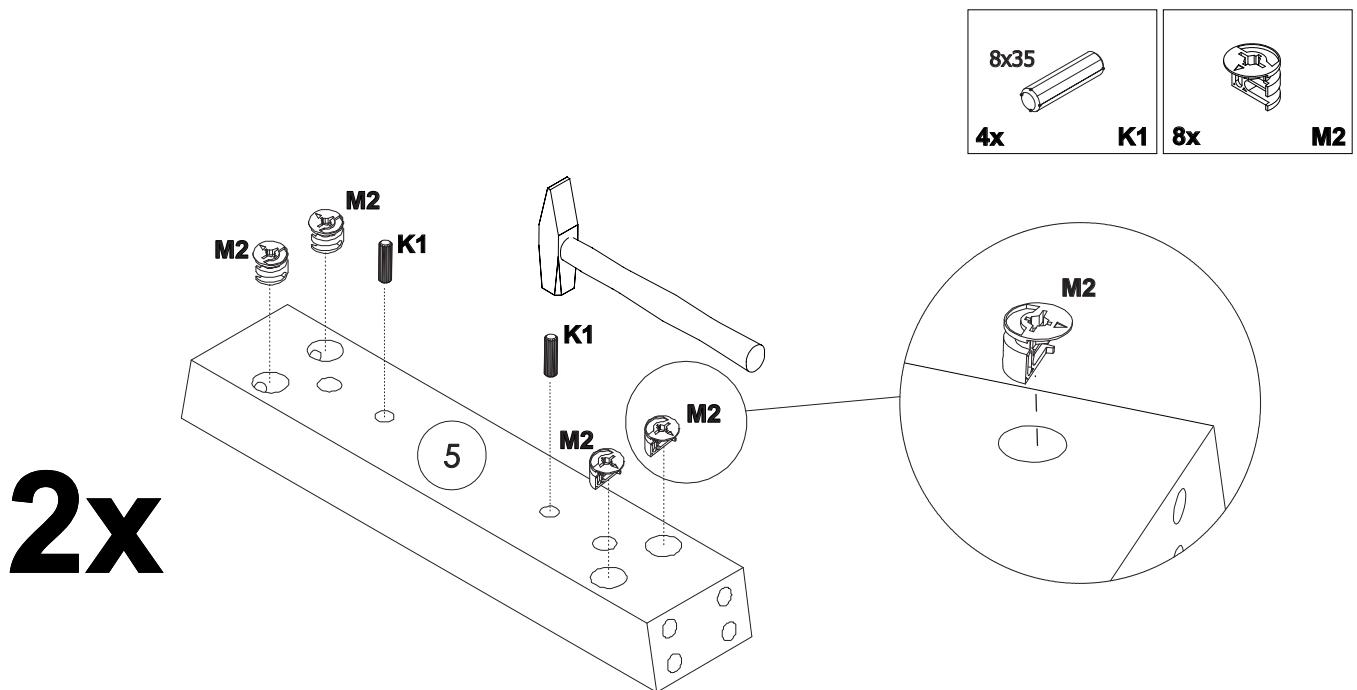
2



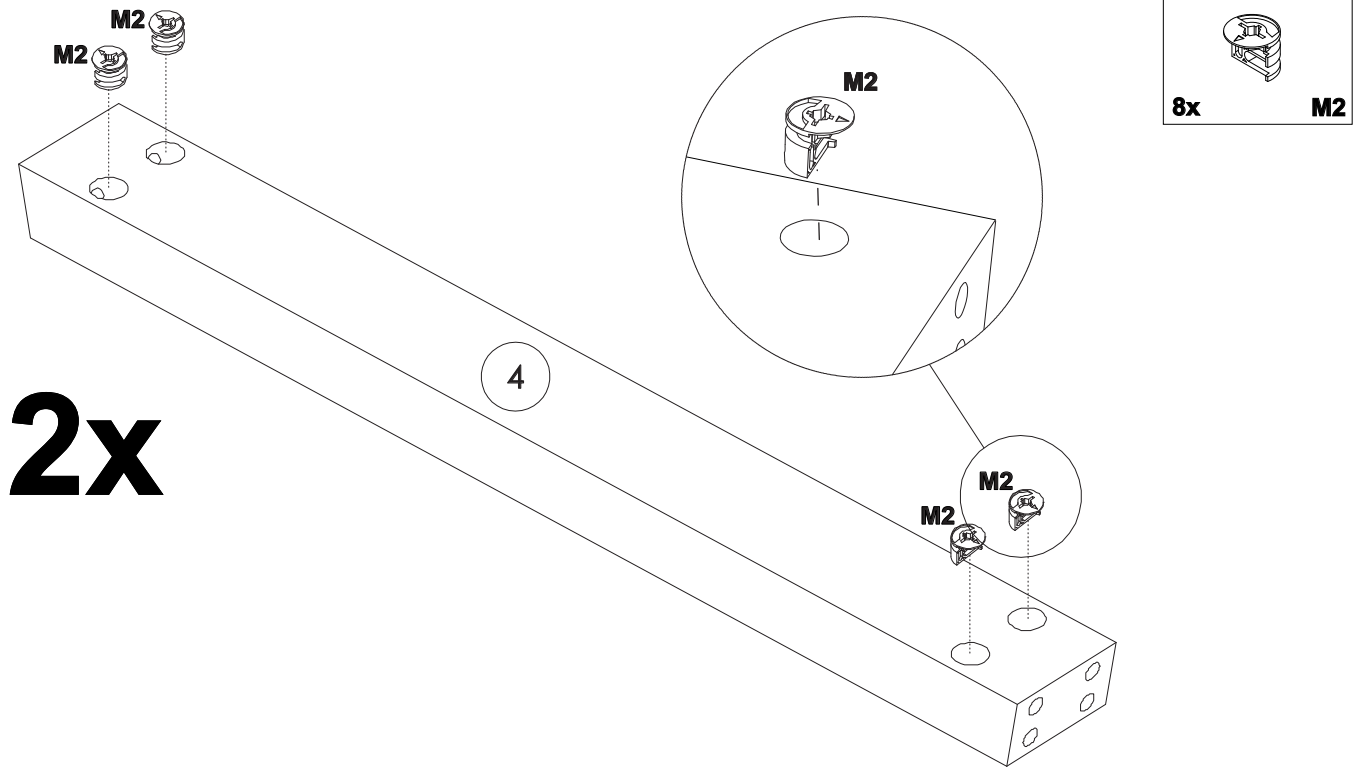
3



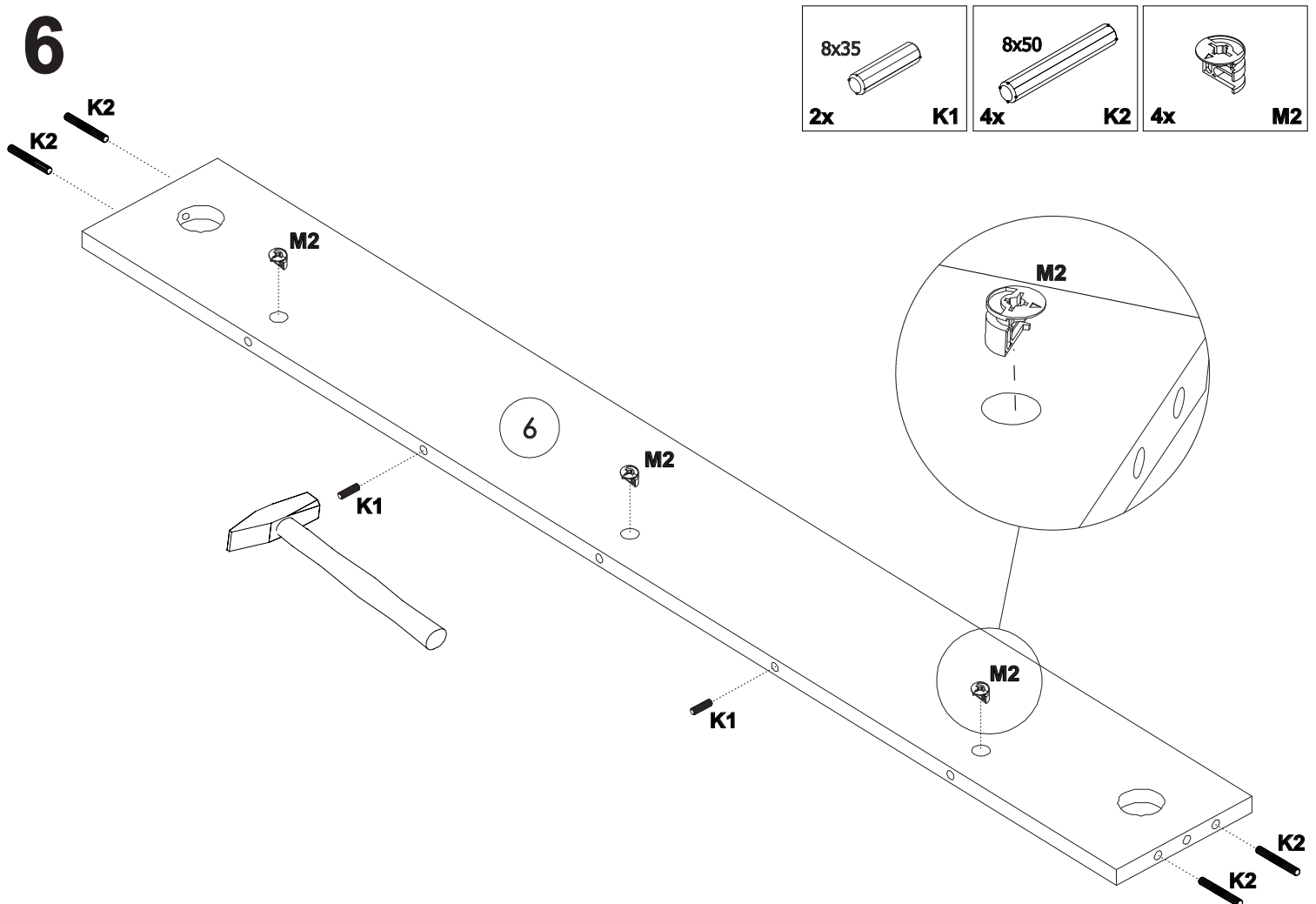
4



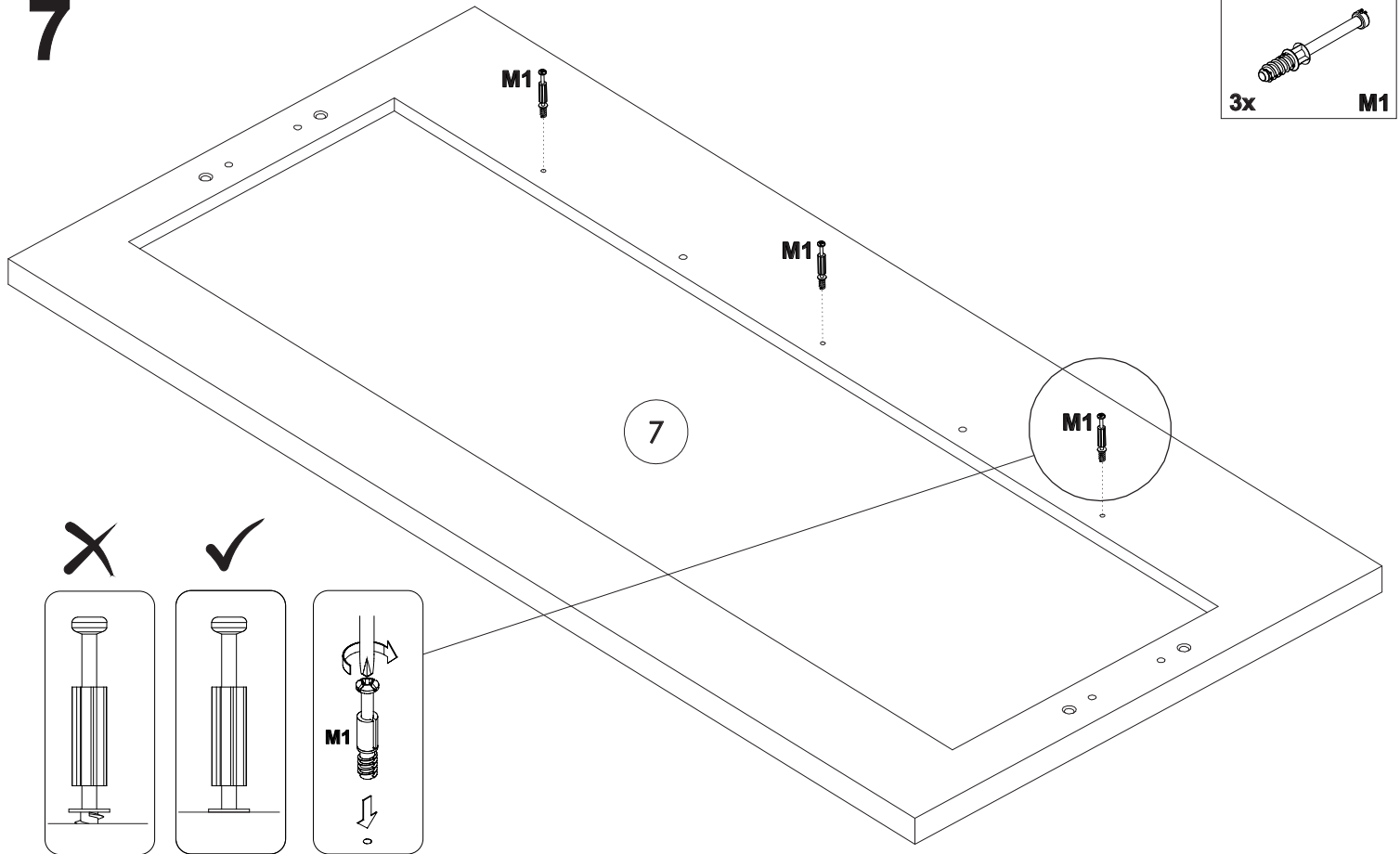
5



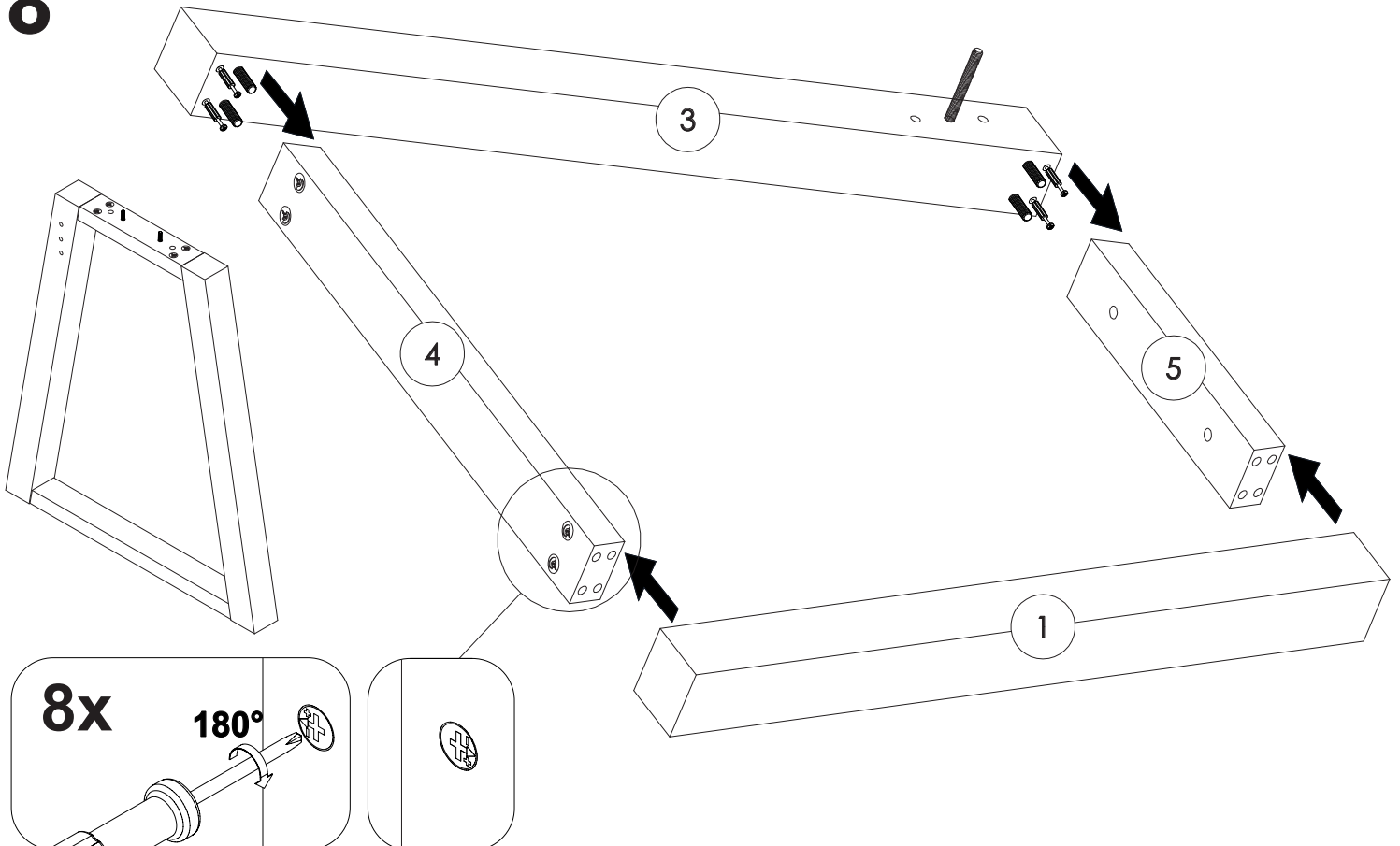
6



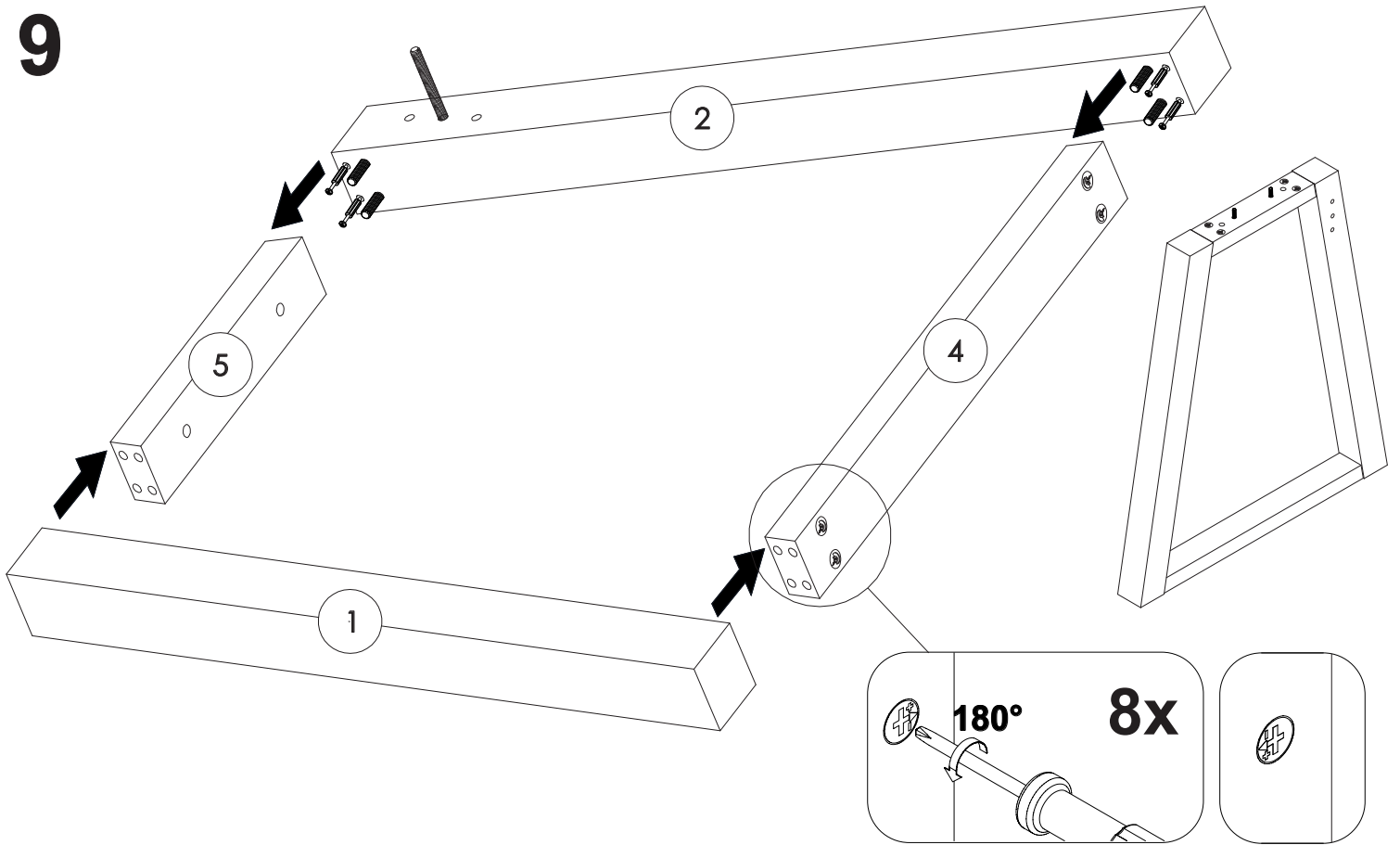
7



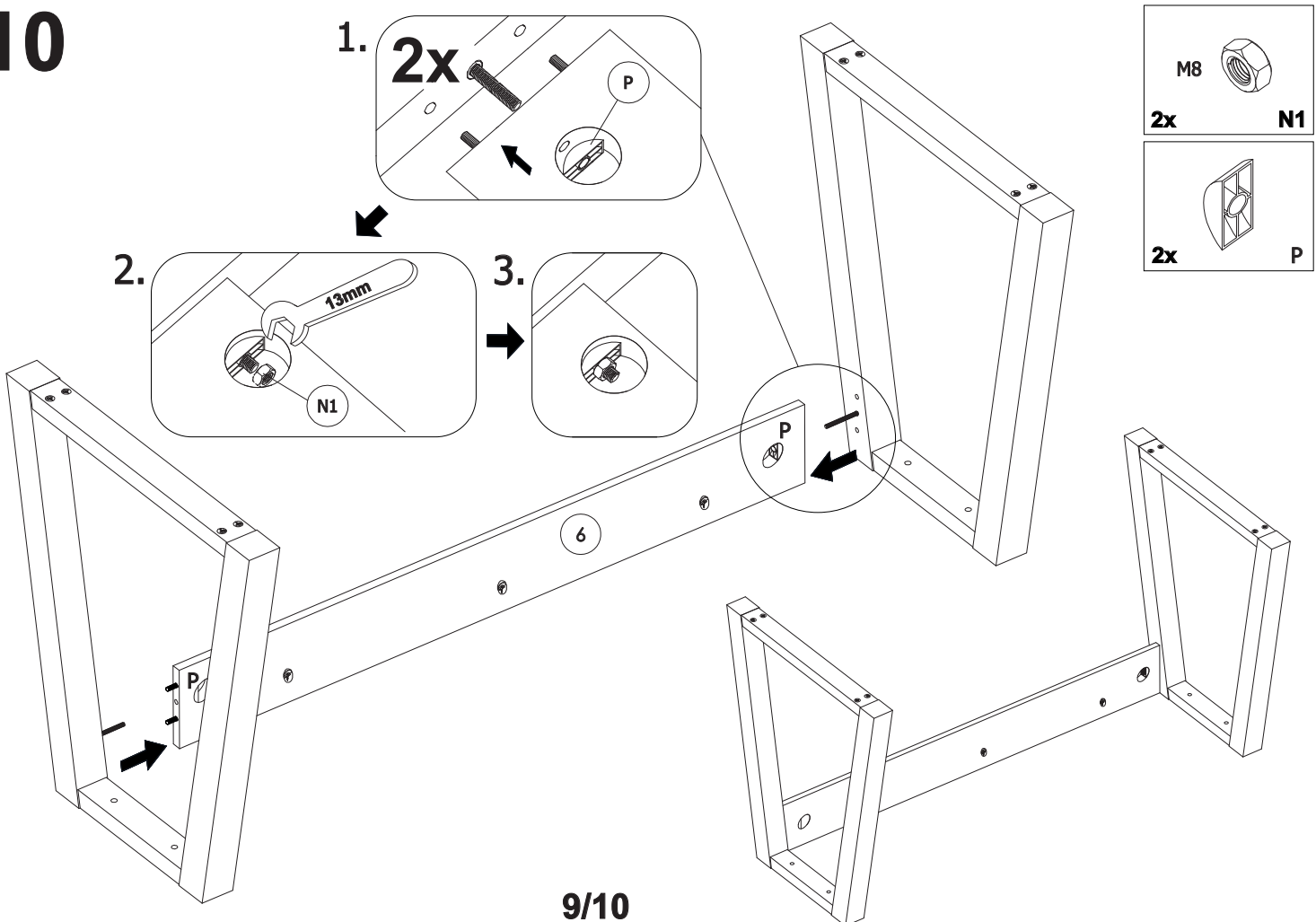
8



9



10



11

