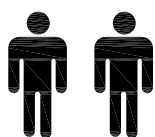
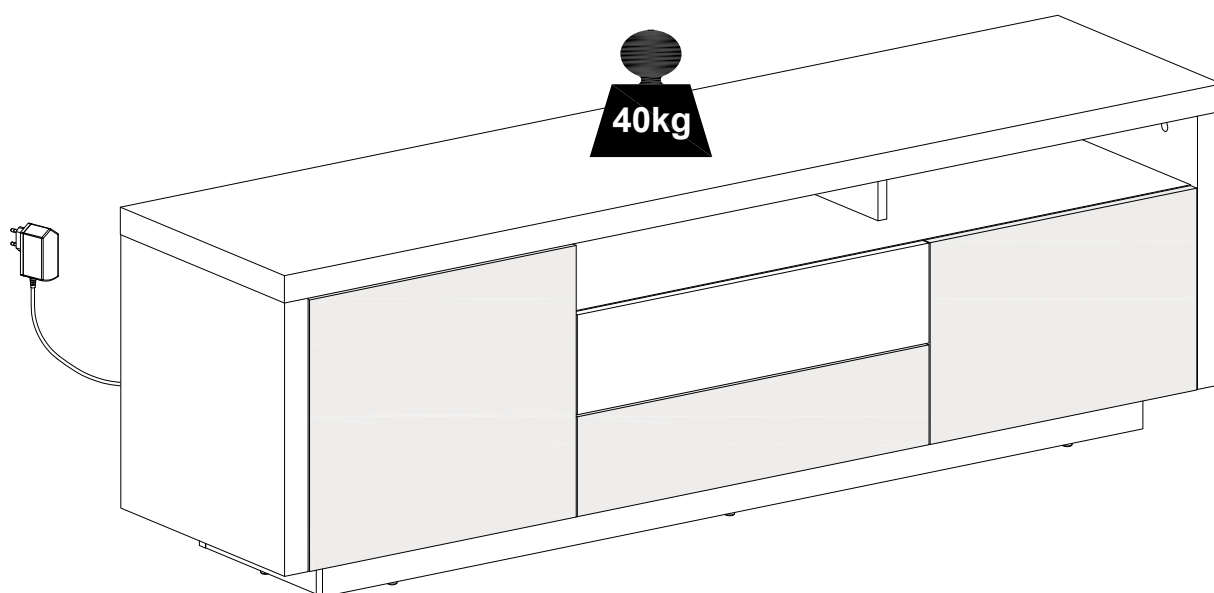
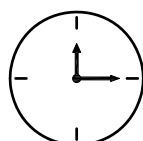


22390251-02

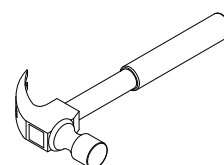
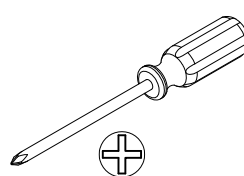
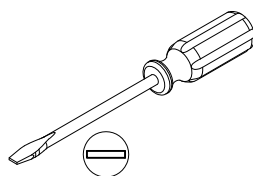
ROXY

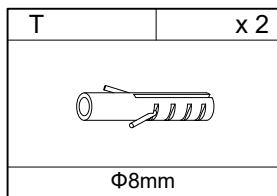
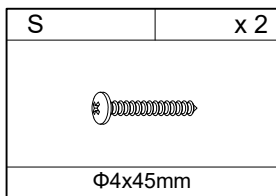
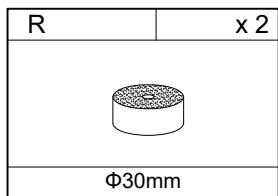
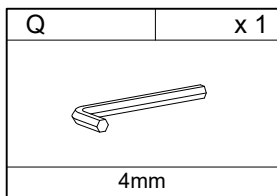
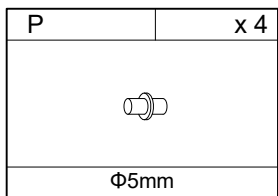
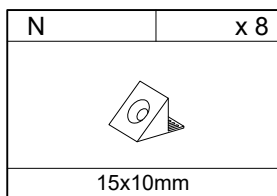
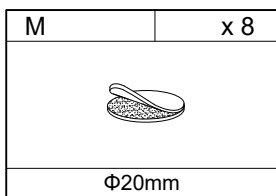
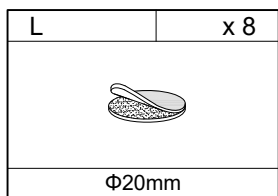
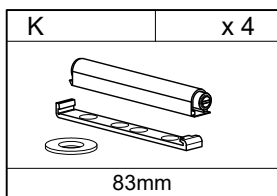
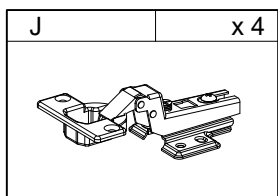
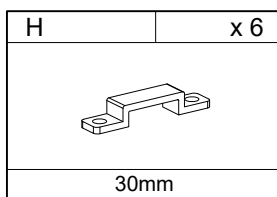
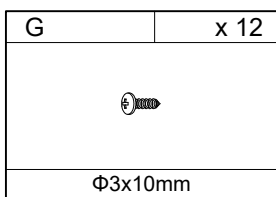
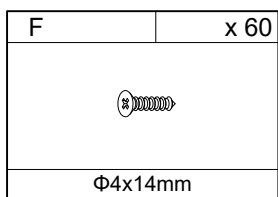
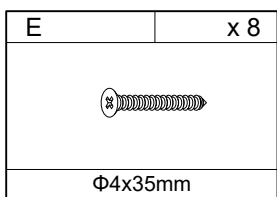
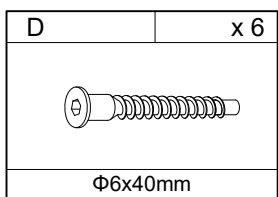
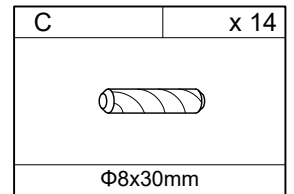
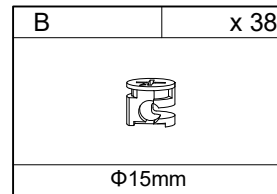
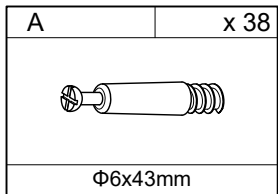
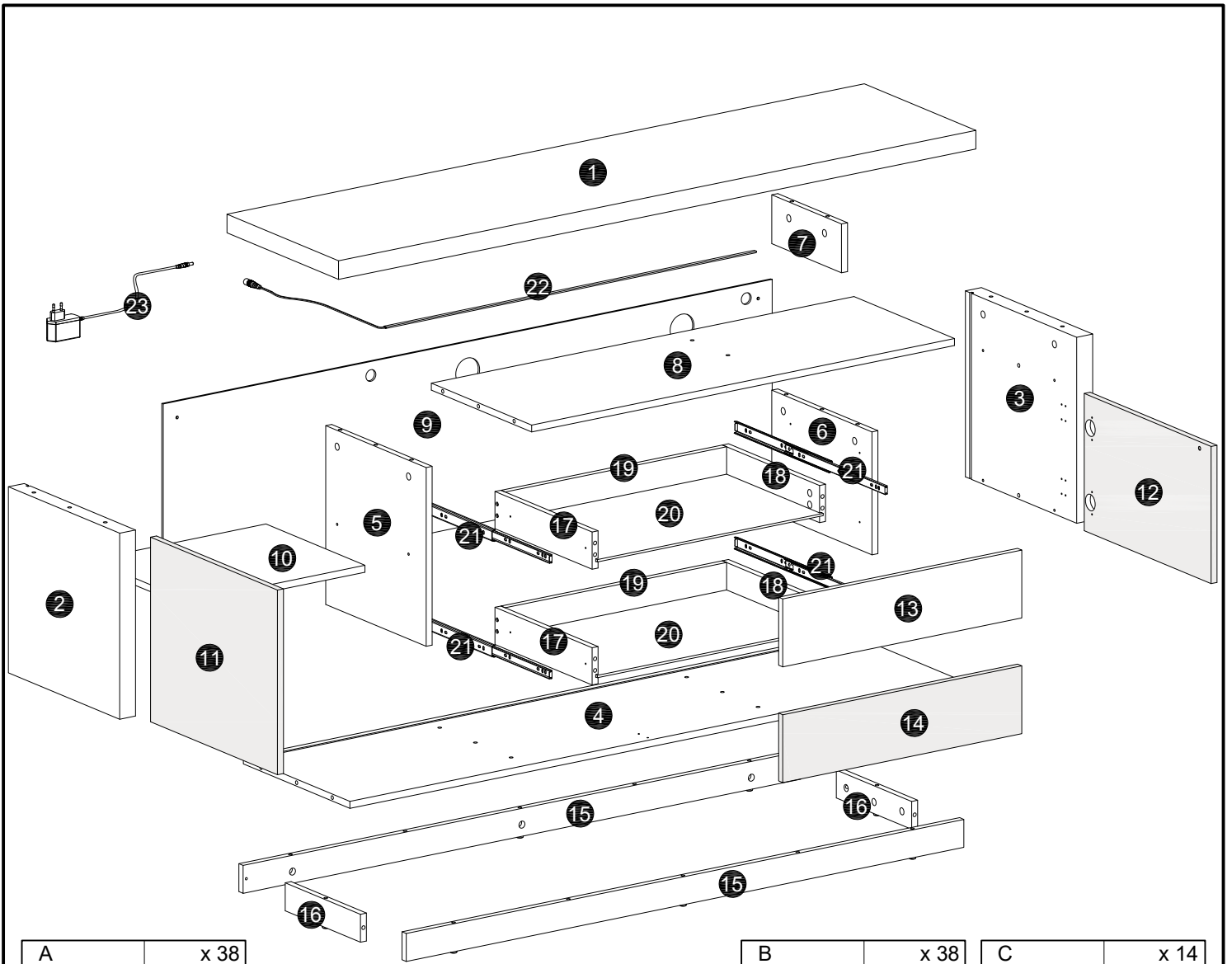


2 PERS.

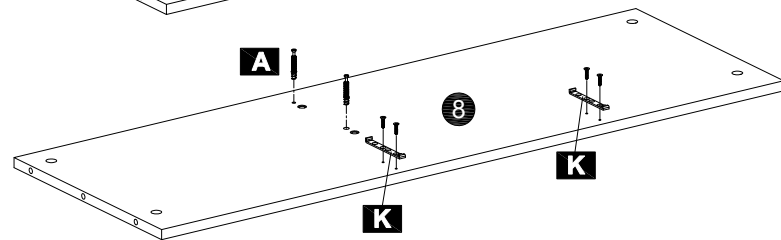
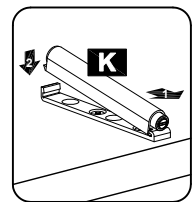
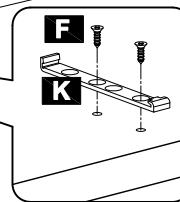
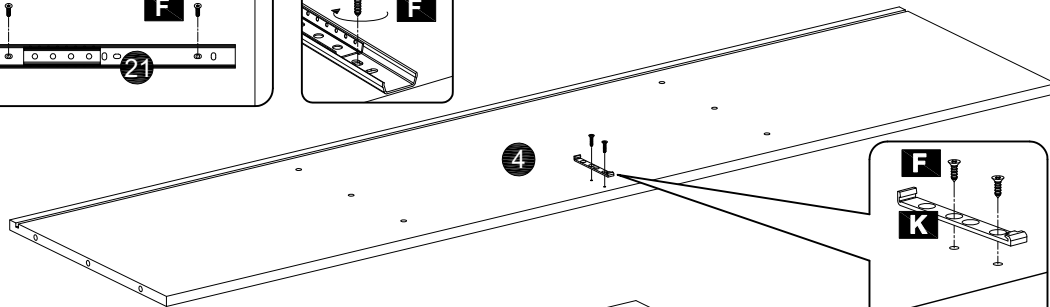
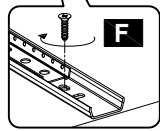
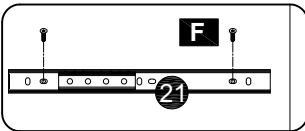
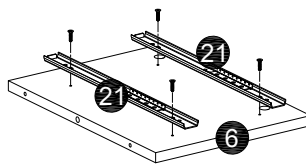
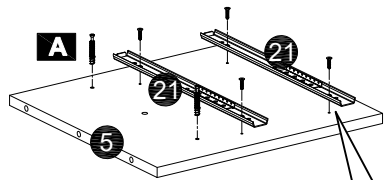
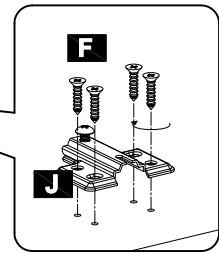
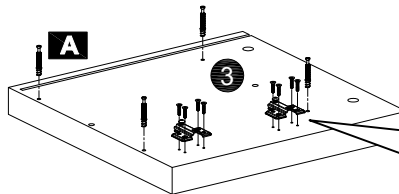
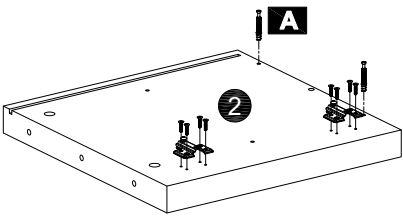
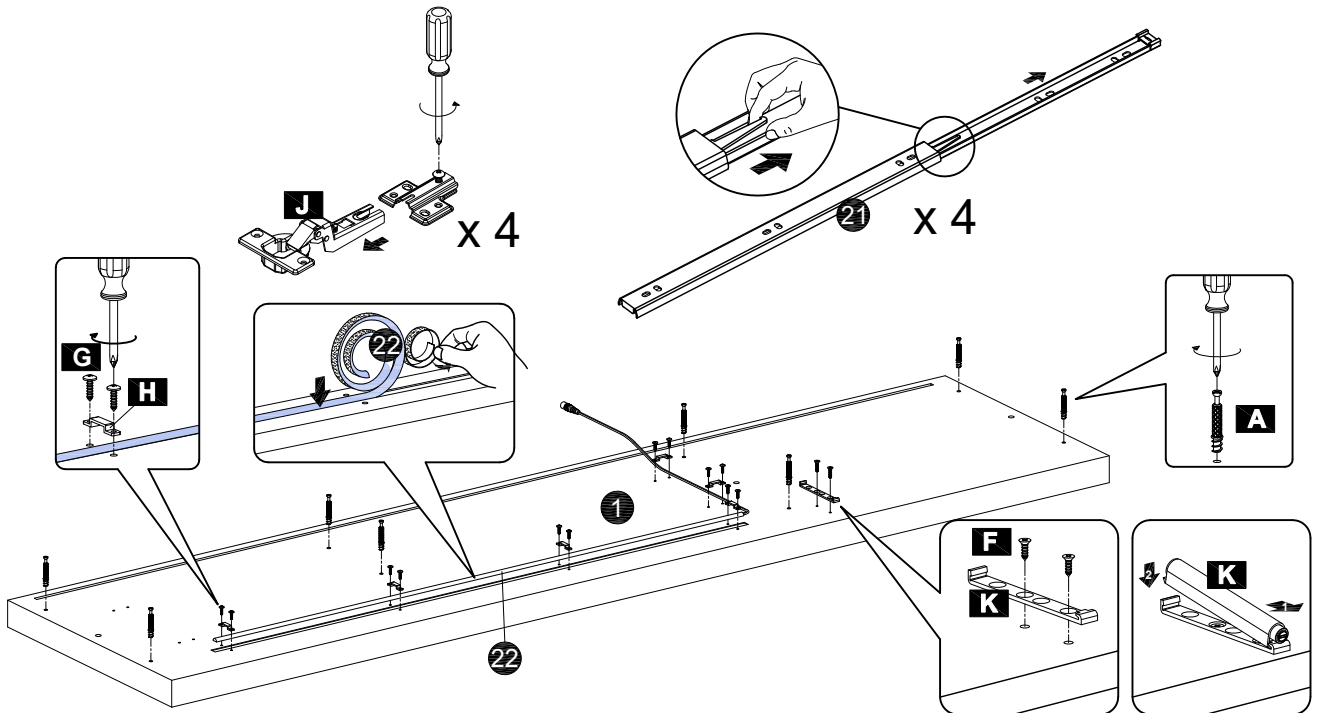


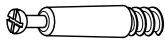
45 MIN







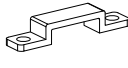
1

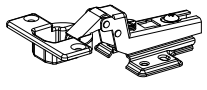


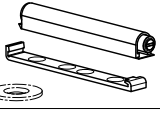
| | |
|---|------|
| A | x 18 |
|  | |
| Φ6x43mm | |

| | |
|---|------|
| F | x 32 |
|  | |
| Φ4x14mm | |

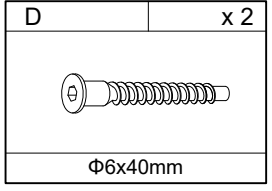
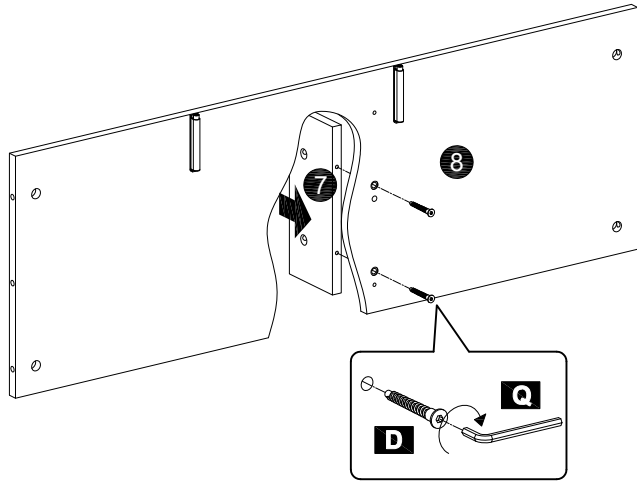
| | |
|---|------|
| G | x 12 |
|  | |
| Φ3x10mm | |

| | |
|---|-----|
| H | x 6 |
|  | |
| 30mm | |

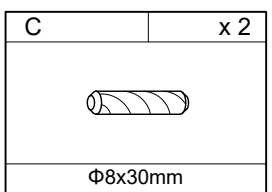
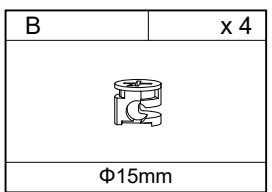
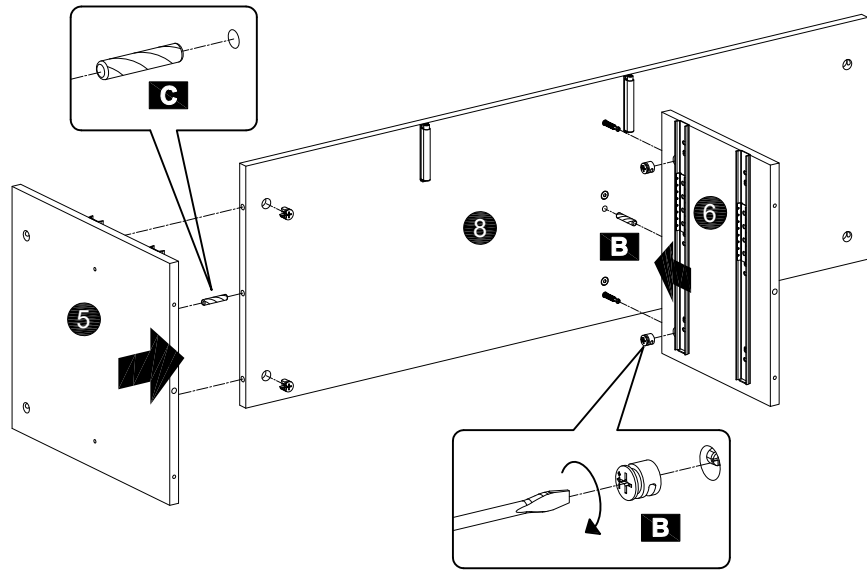
| | |
|--|-----|
| J | x 4 |
|  | |

| | |
|---|-----|
| K | x 4 |
|  | |
| 83mm | |

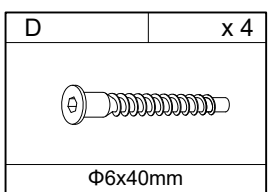
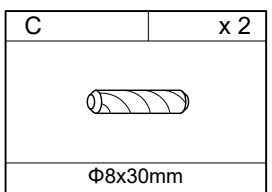
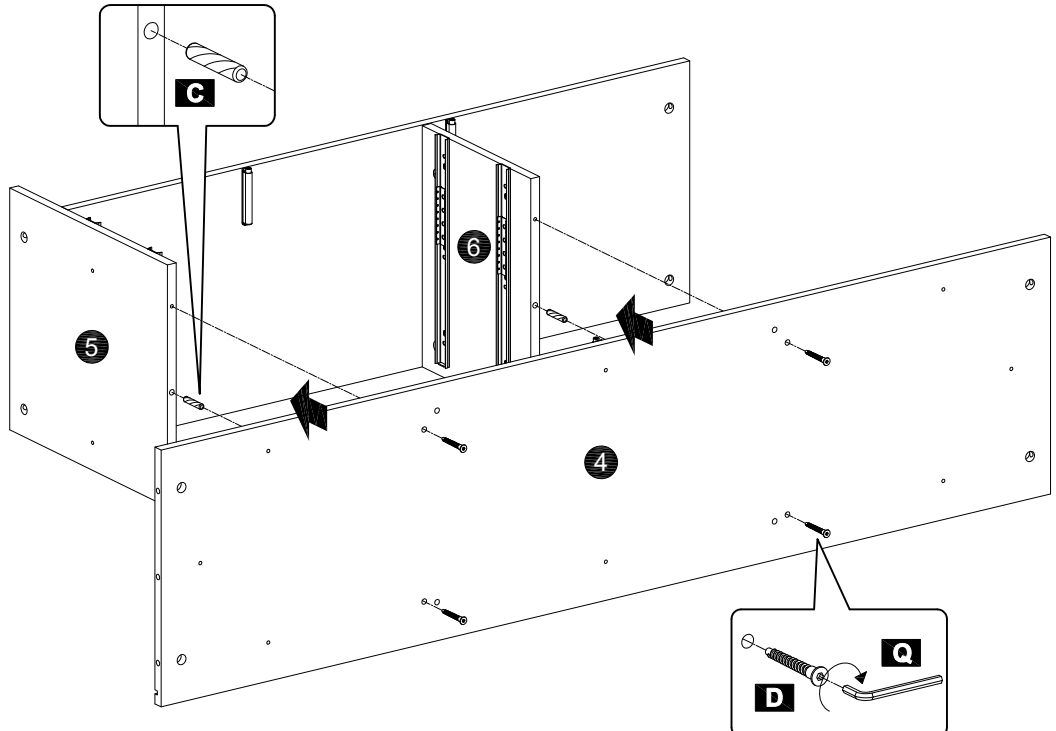
2



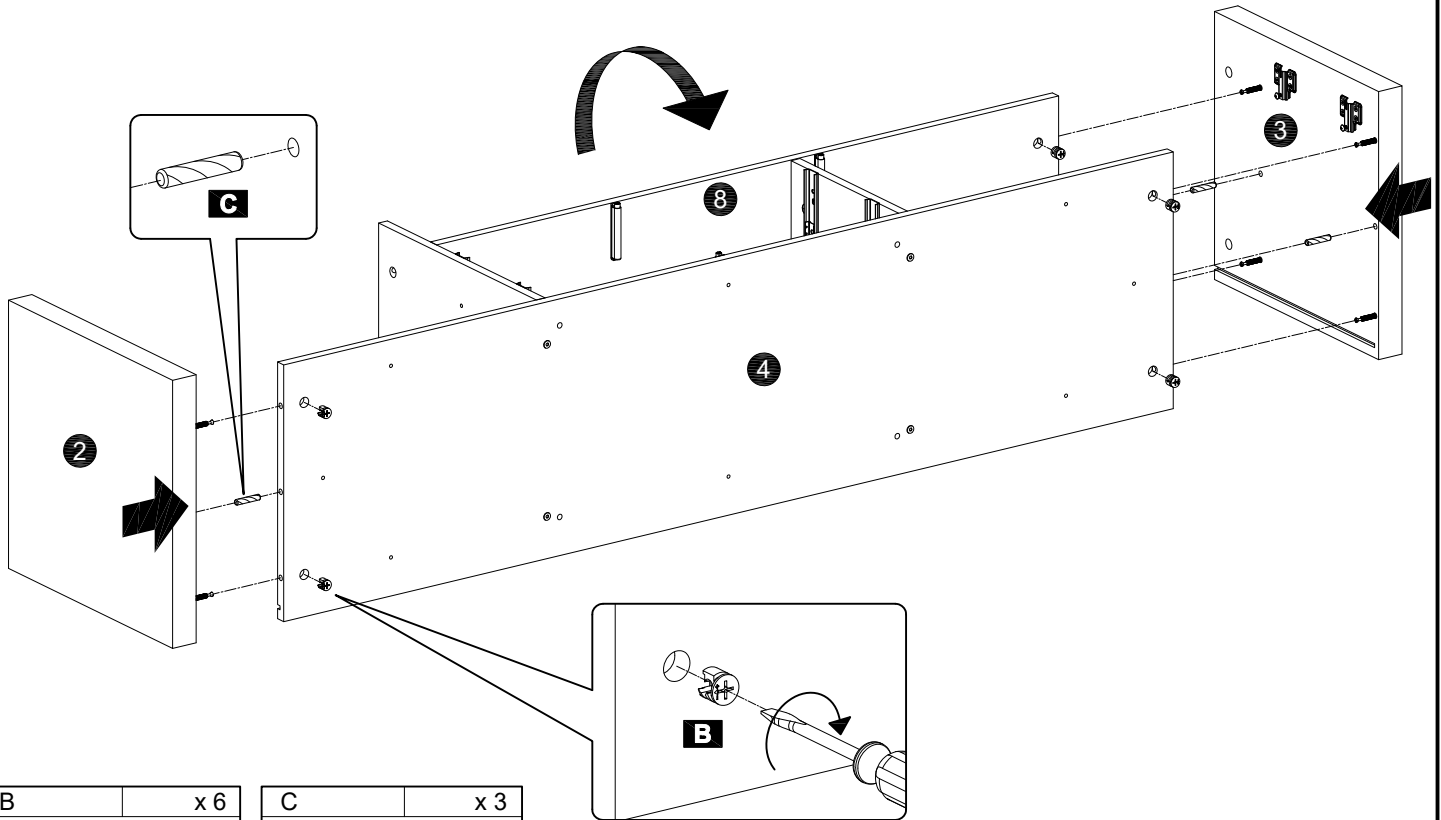
3




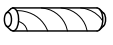
3



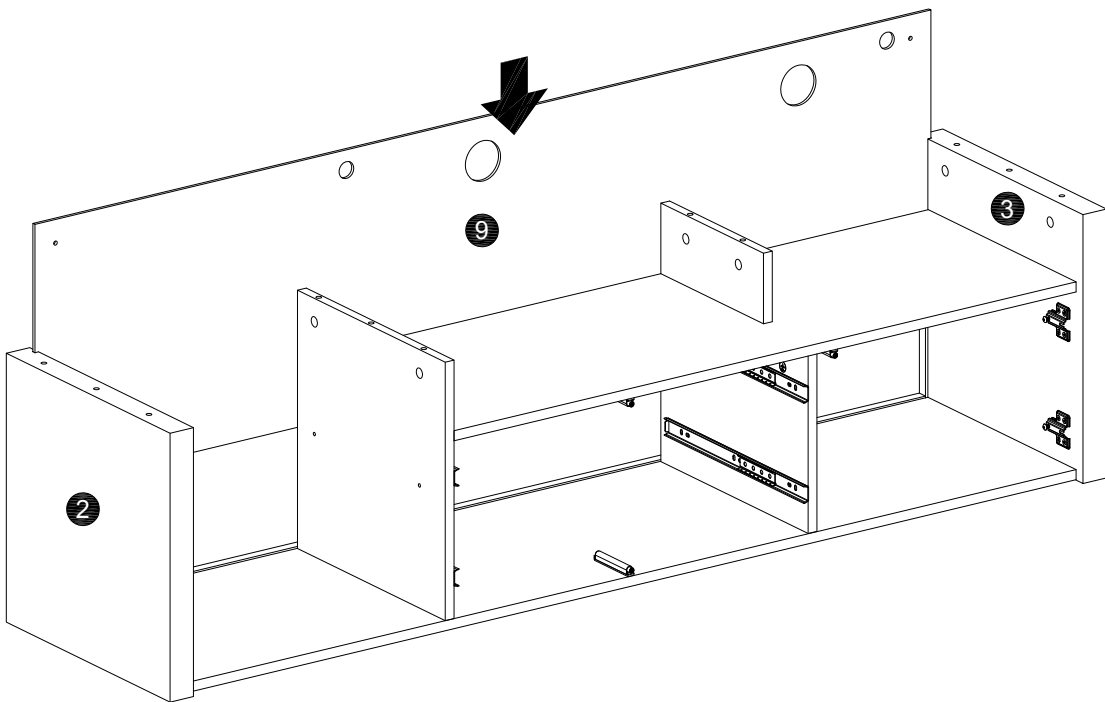
4



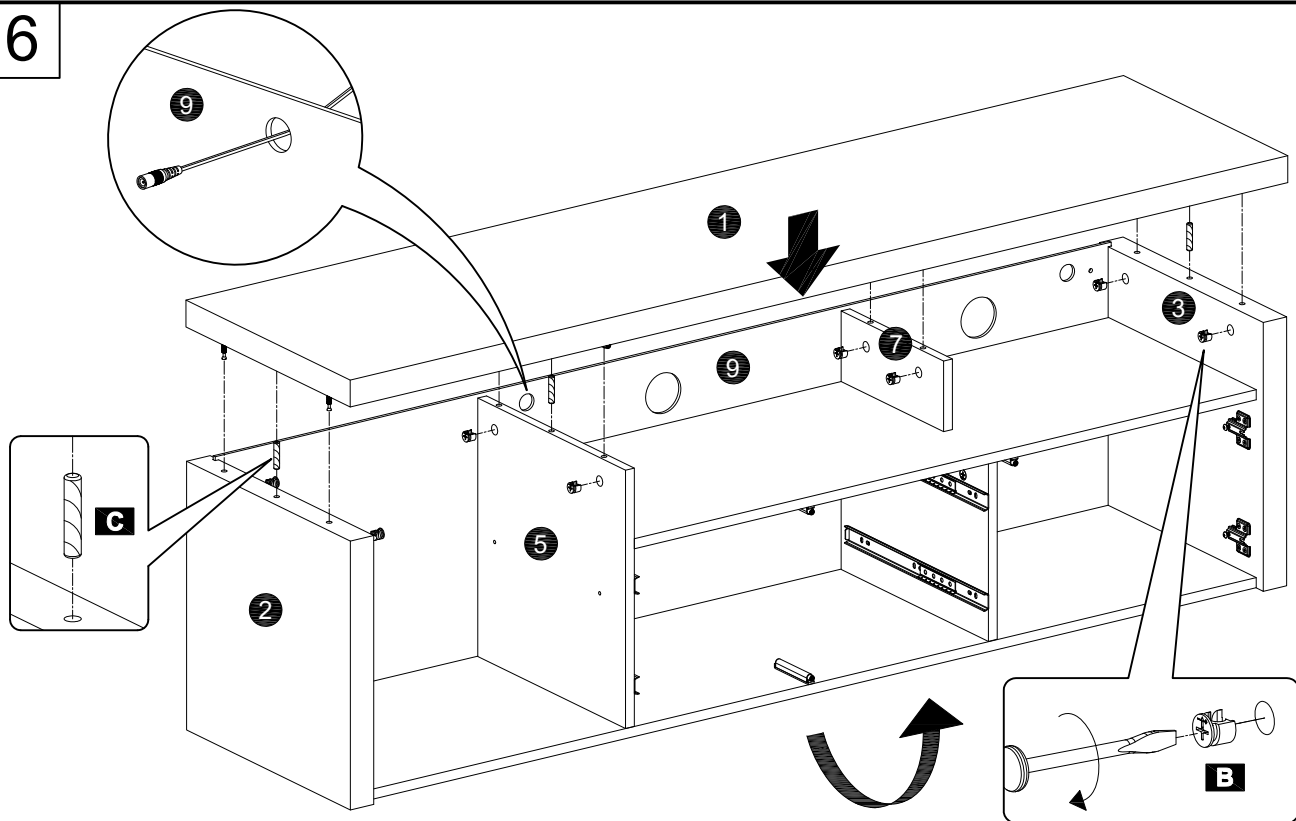
| | |
|---|-----|
| B | x 6 |
|  | |
| $\Phi 15\text{mm}$ | |


| | |
|---|-----|
| C | x 3 |
|  | |
| $\Phi 8 \times 30\text{mm}$ | |

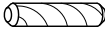
5



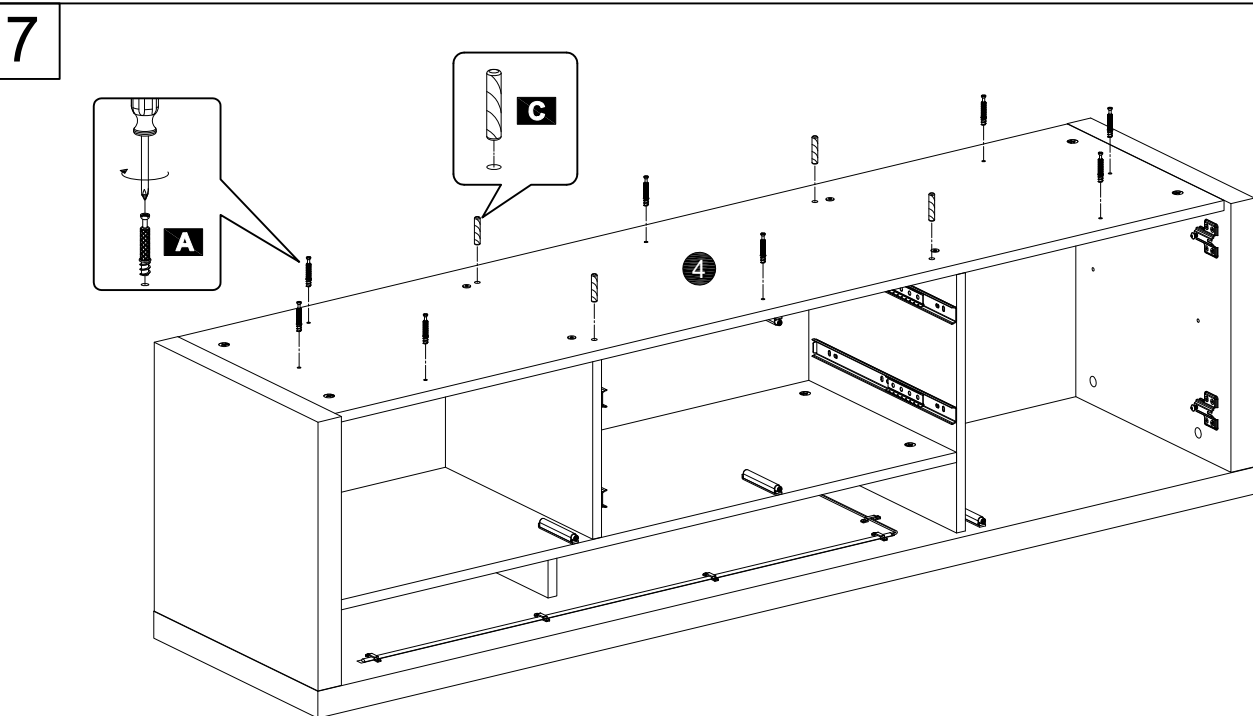
6

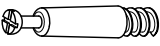


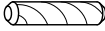
| | |
|---|-----|
| B | x 8 |
|  | |
| Φ15mm | |

| | |
|---|-----|
| C | x 3 |
|  | |
| Φ8x30mm | |

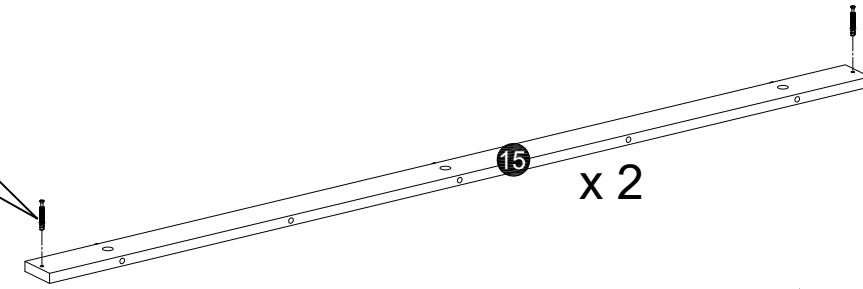
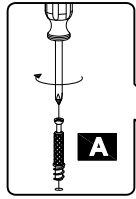
7



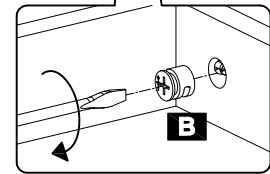
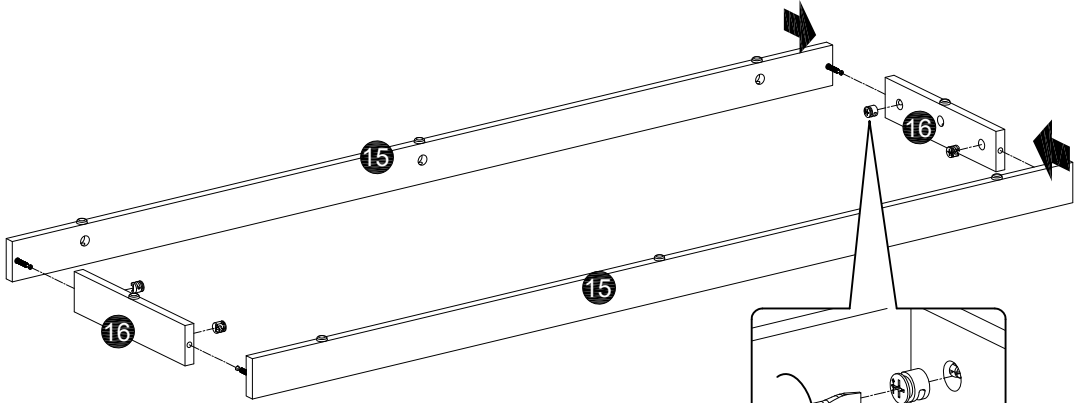
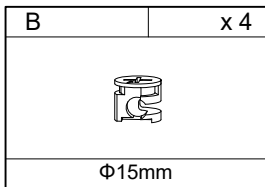
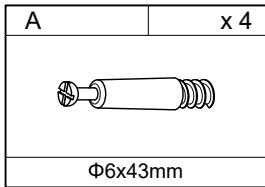
| | |
|---|-----|
| A | x 8 |
|  | |
| Φ6x43mm | |

| | |
|---|-----|
| C | x 4 |
|  | |
| Φ8x30mm | |

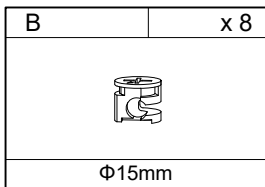
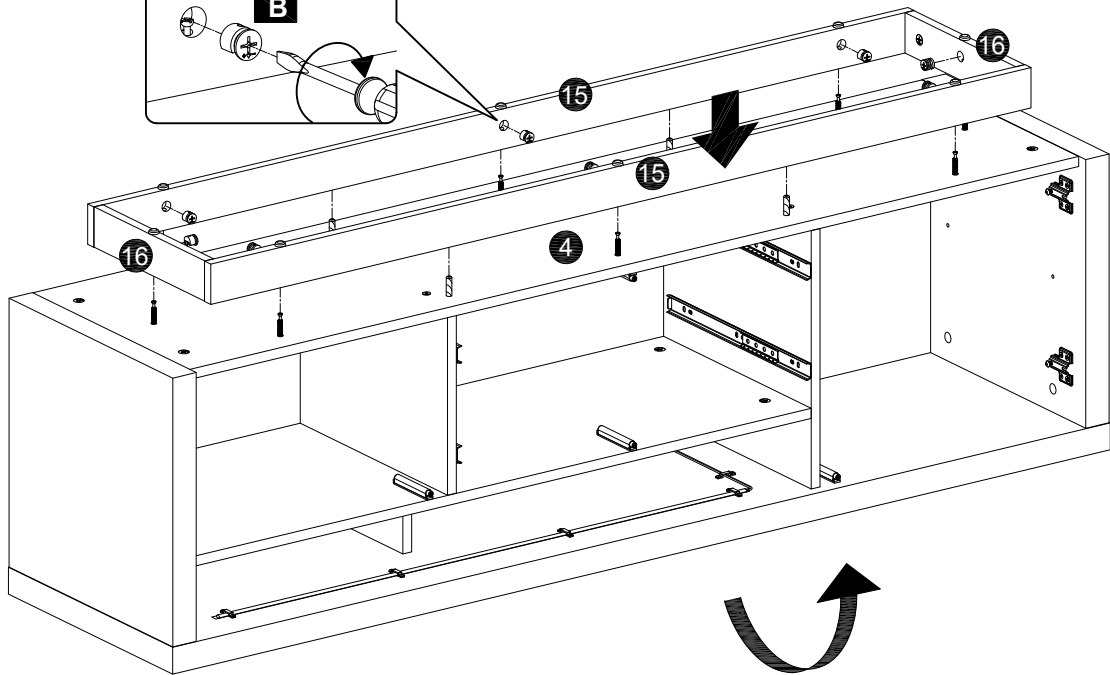
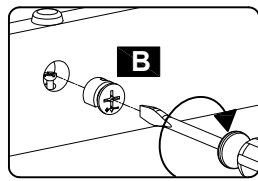
8



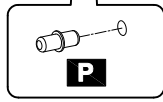
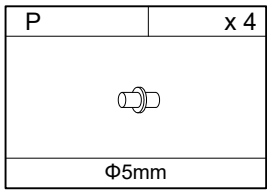
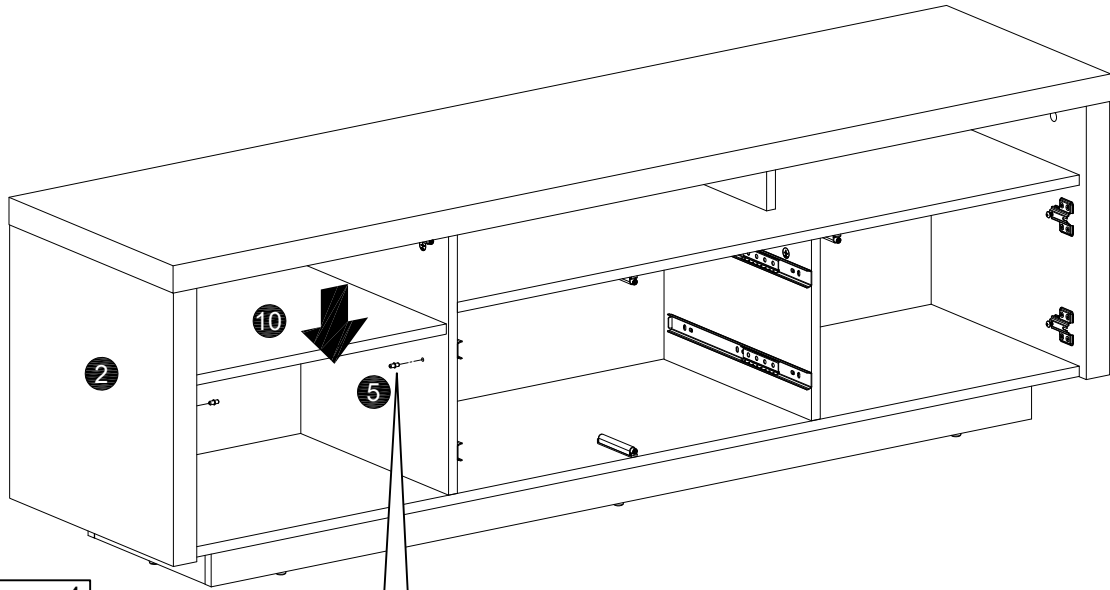
x 2



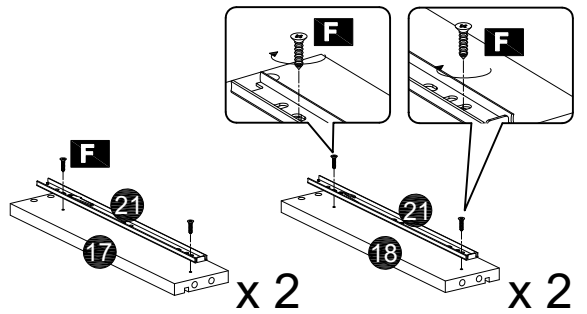
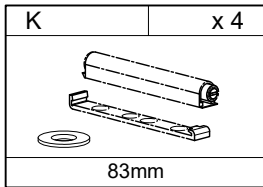
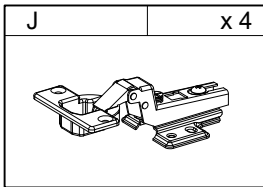
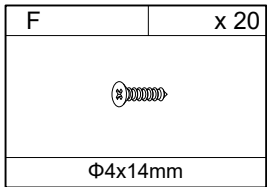
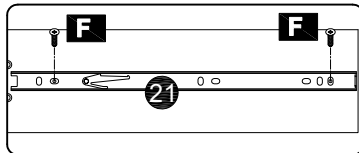
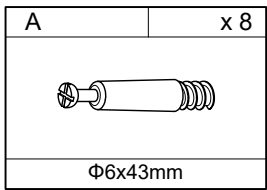
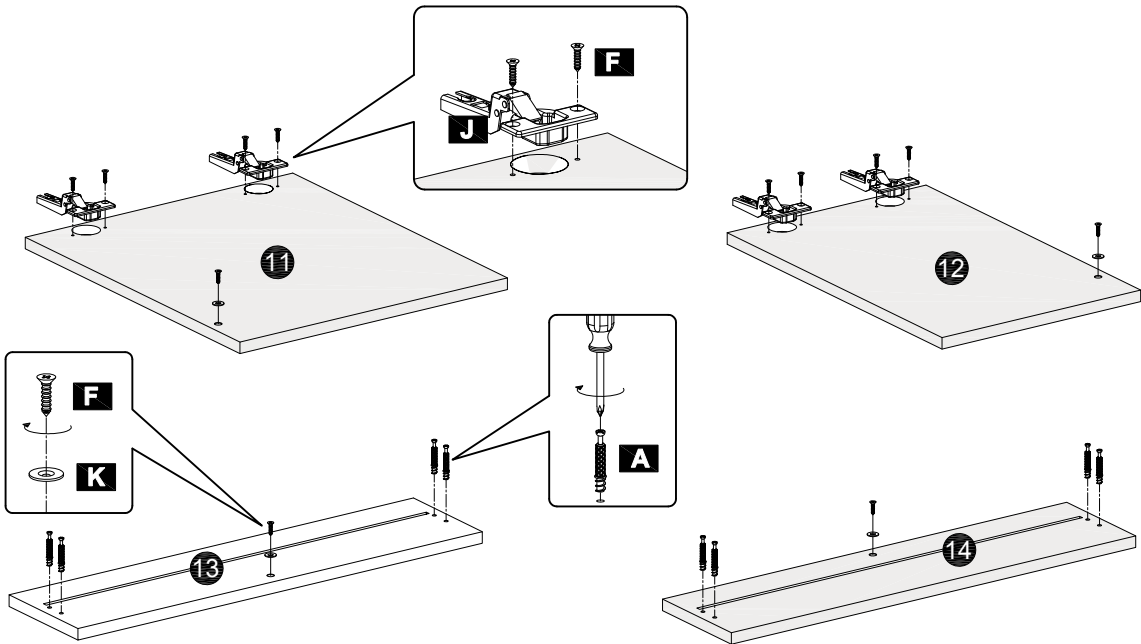
9



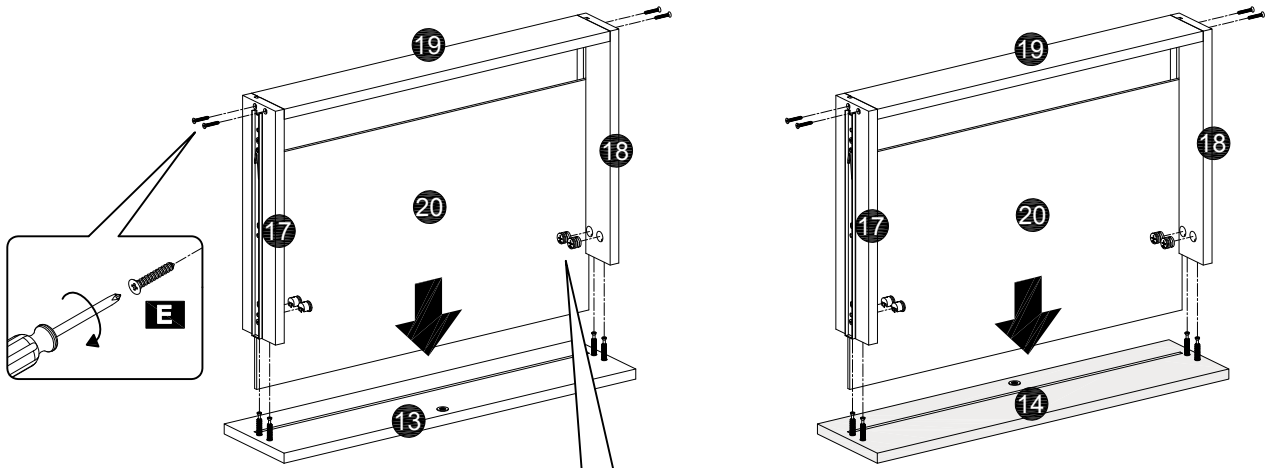
10



11

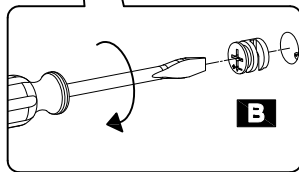


12

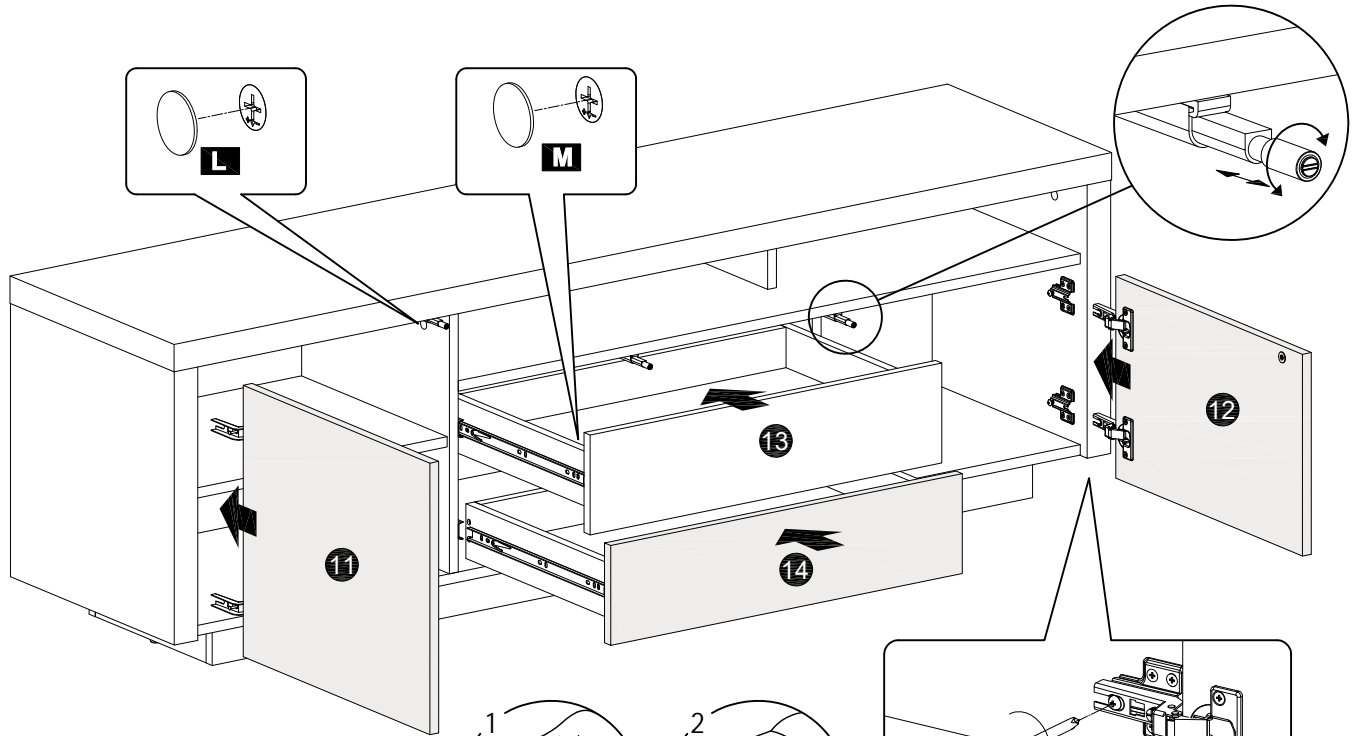


| | |
|-------|-----|
| B | x 8 |
| | |
| Φ15mm | |

| | |
|---------|-----|
| E | x 8 |
| | |
| Φ4x35mm | |

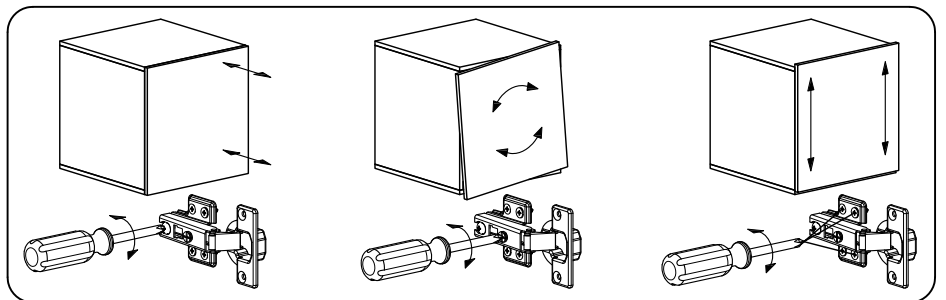
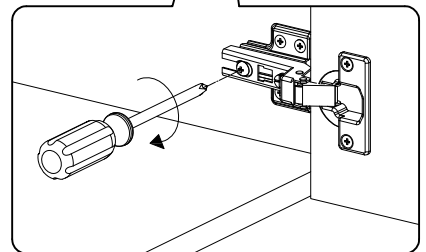
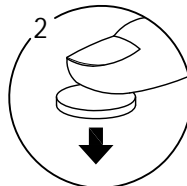


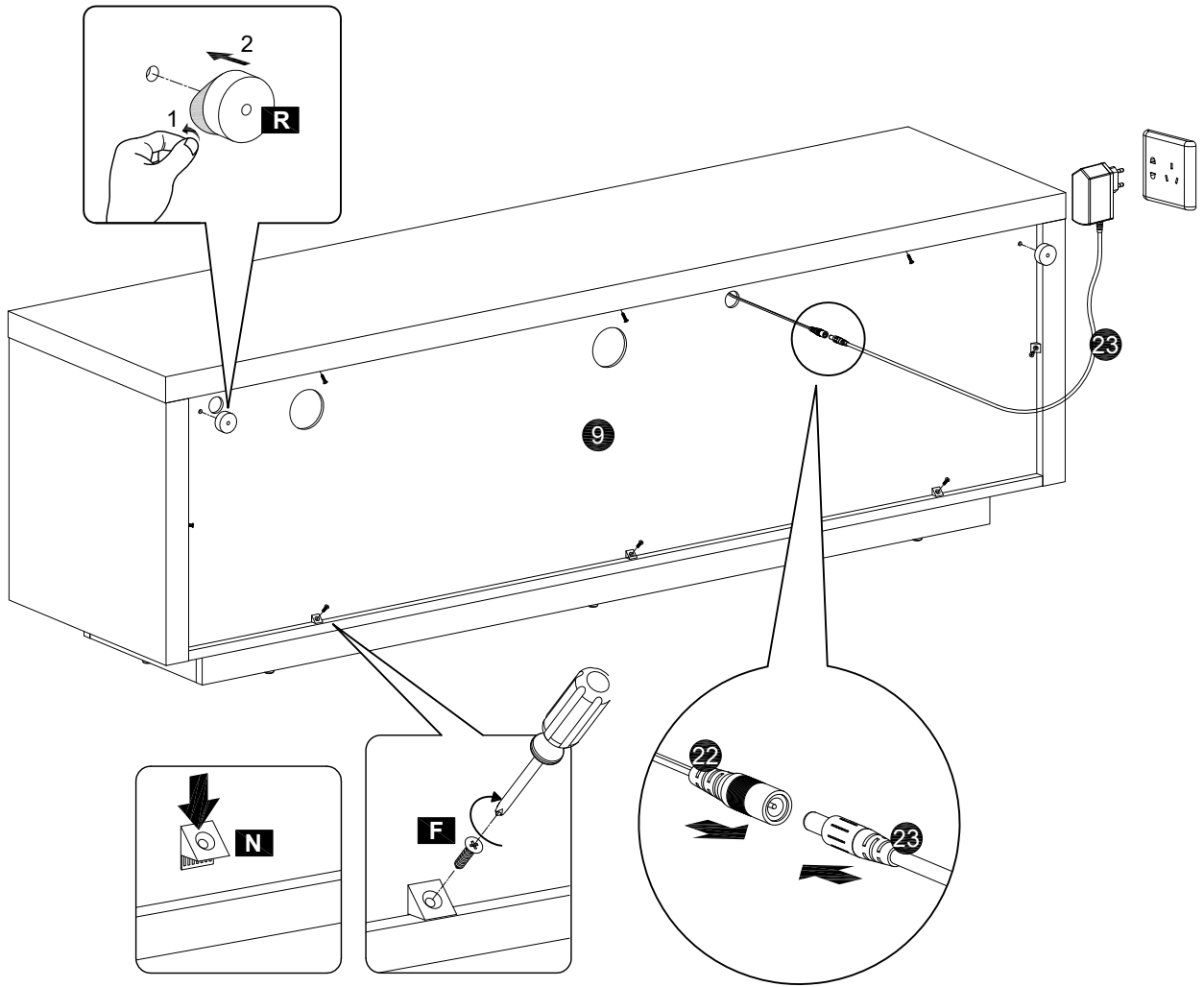
13





| | |
|-------|-----|
| L | x 8 |
| | |
| Φ20mm | |

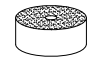
| | |
|-------|-----|
| M | x 8 |
| | |
| Φ20mm | |

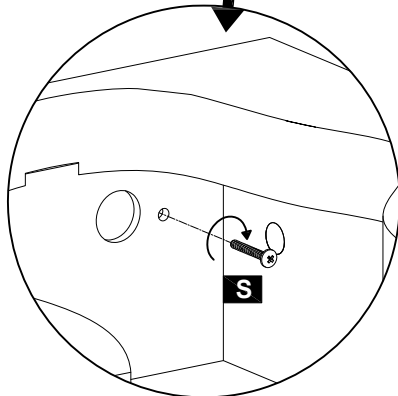
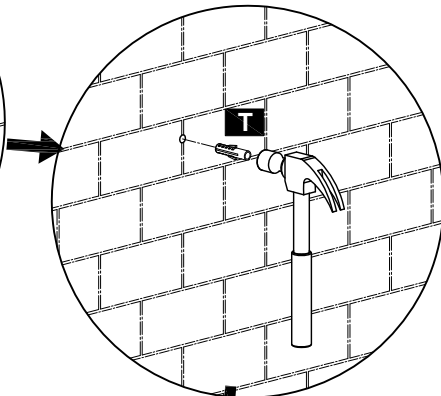
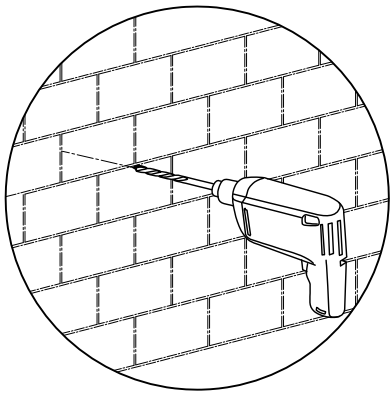
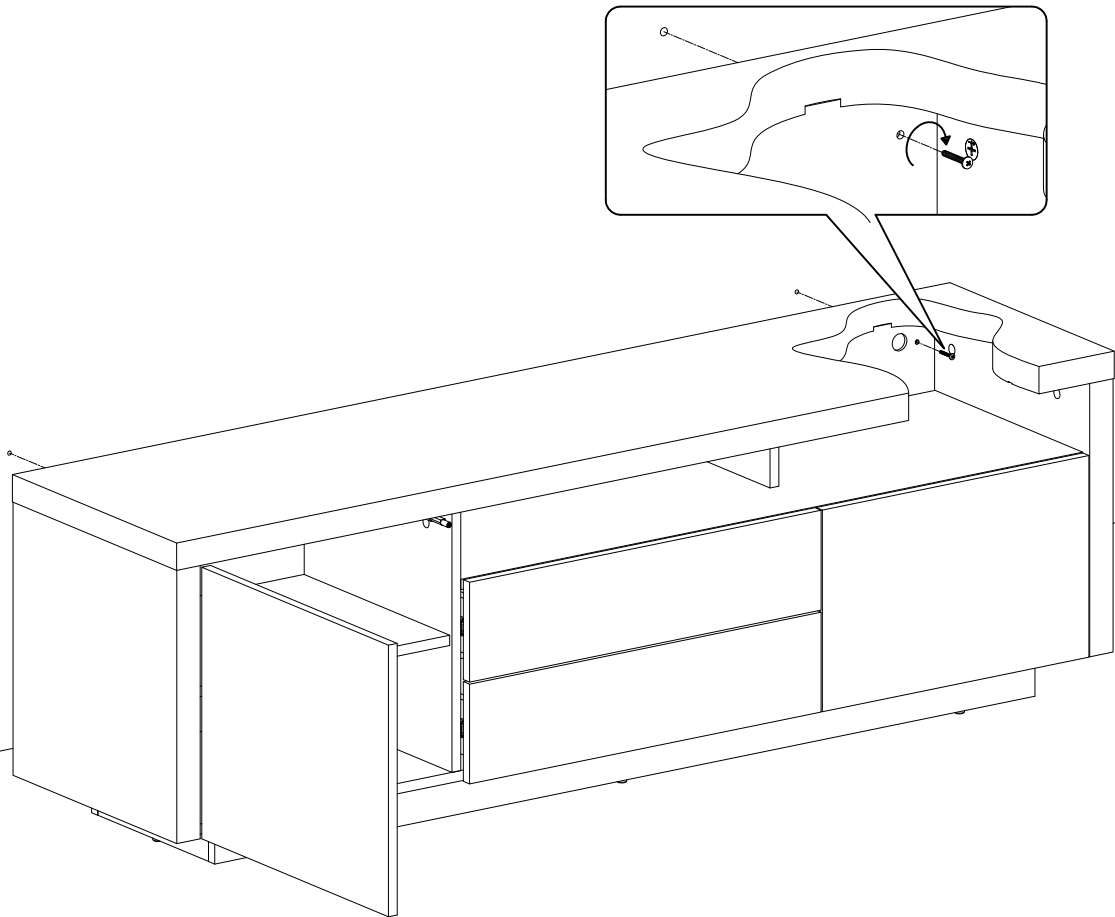






| | |
|---|-----|
| F | x 8 |
|  | |
| Φ4x14mm | |

| | |
|---|-----|
| N | x 8 |
|  | |
| 15x10mm | |

| | |
|---|-----|
| S | x 2 |
|  | |
| Φ30mm | |



| | |
|---|-----|
| S | x 2 |
|  | |
| Φ4x45mm | |

| | |
|---|-----|
| T | x 2 |
|  | |
| Φ8mm | |

