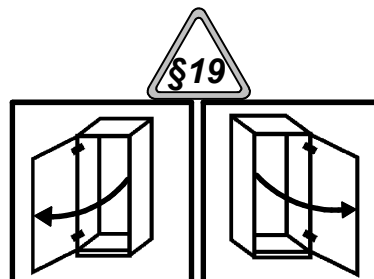
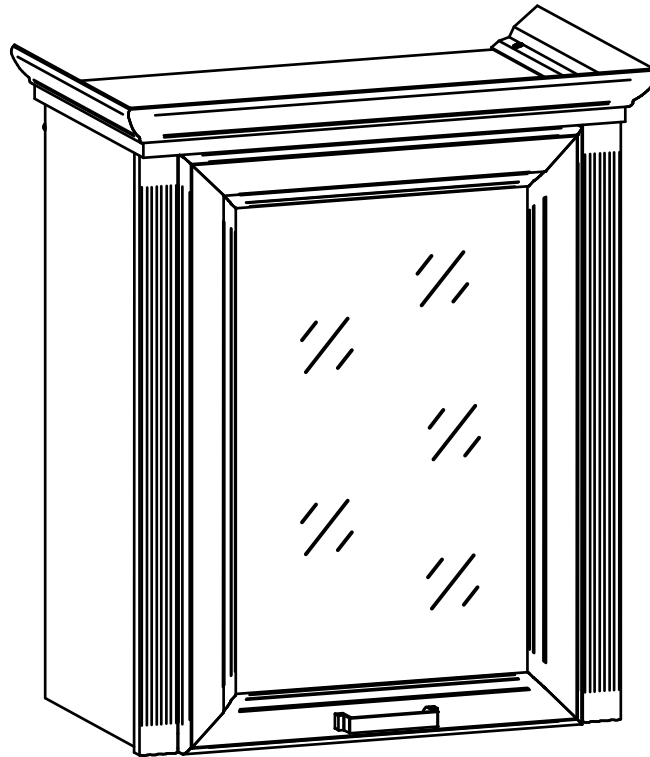
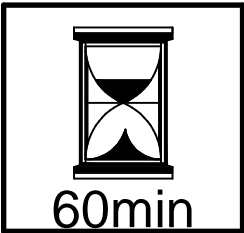
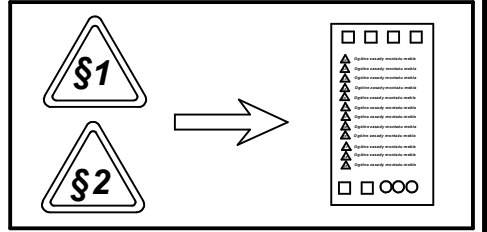
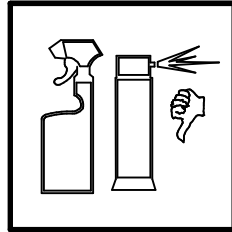
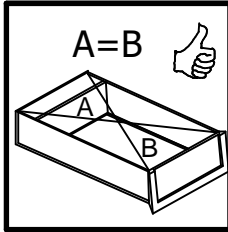
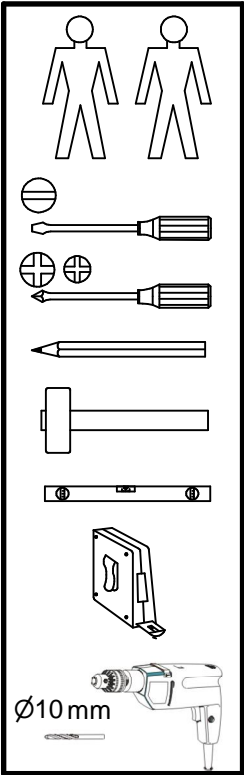
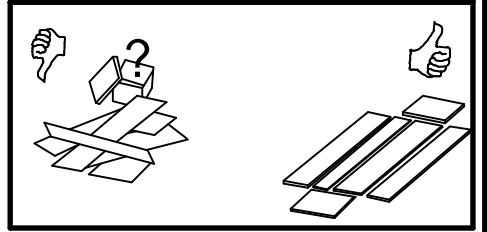
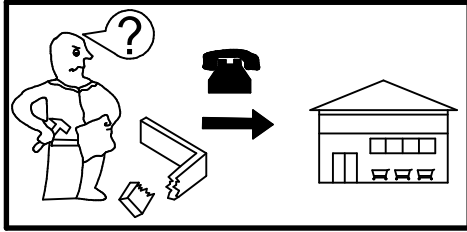
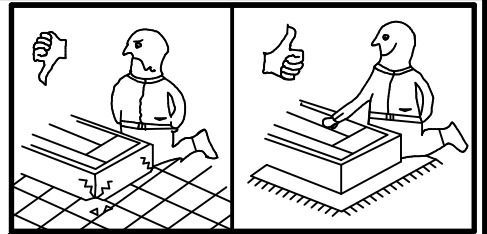
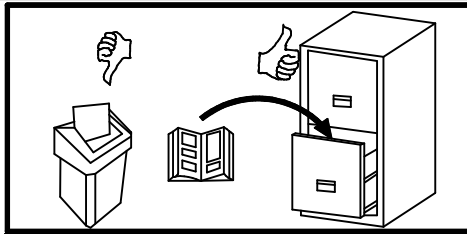


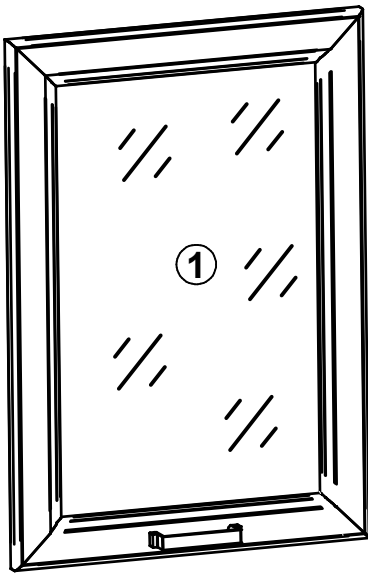
A

S538-SFW1W

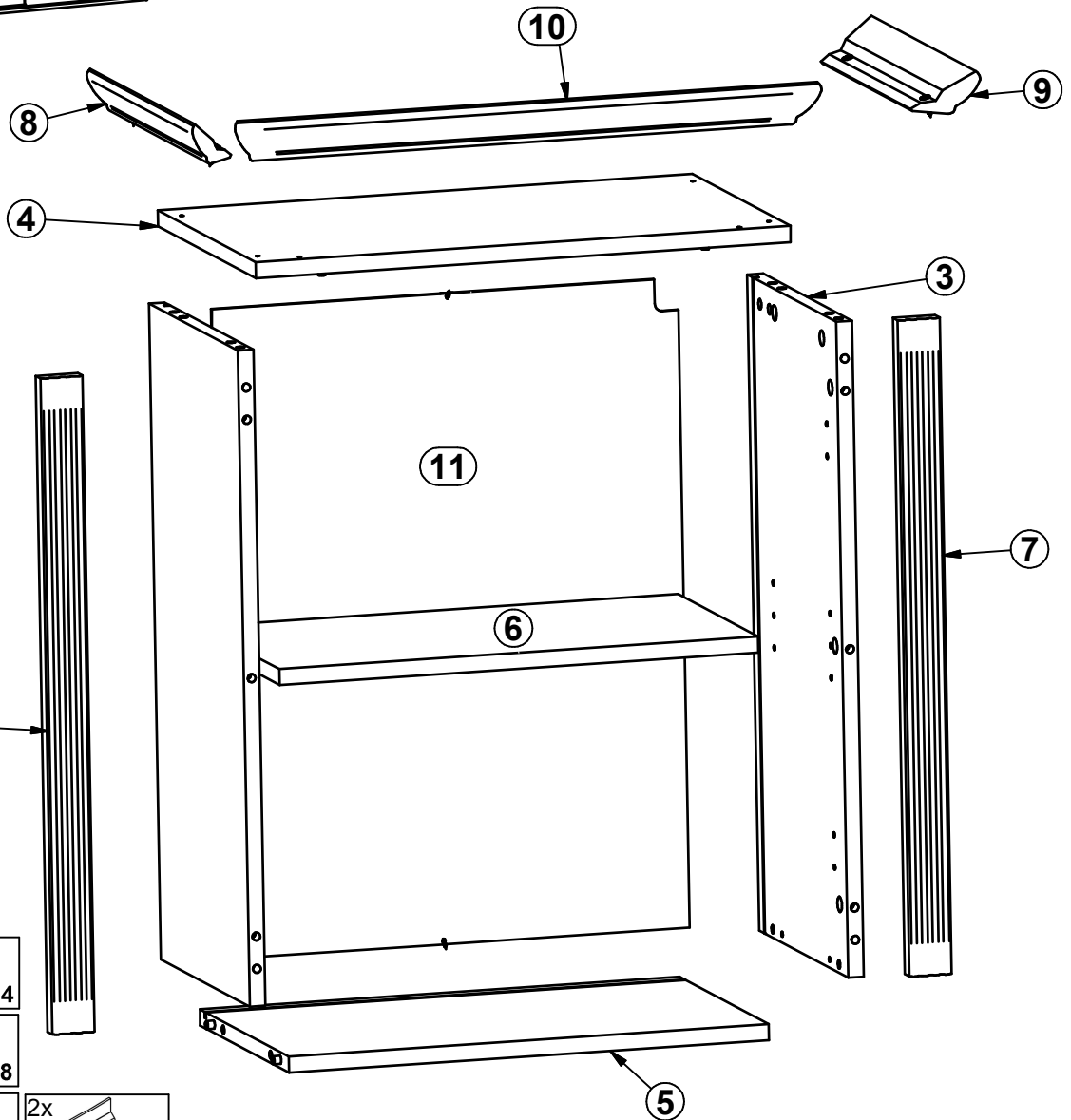
84-881---, 84-882---

1 / 12





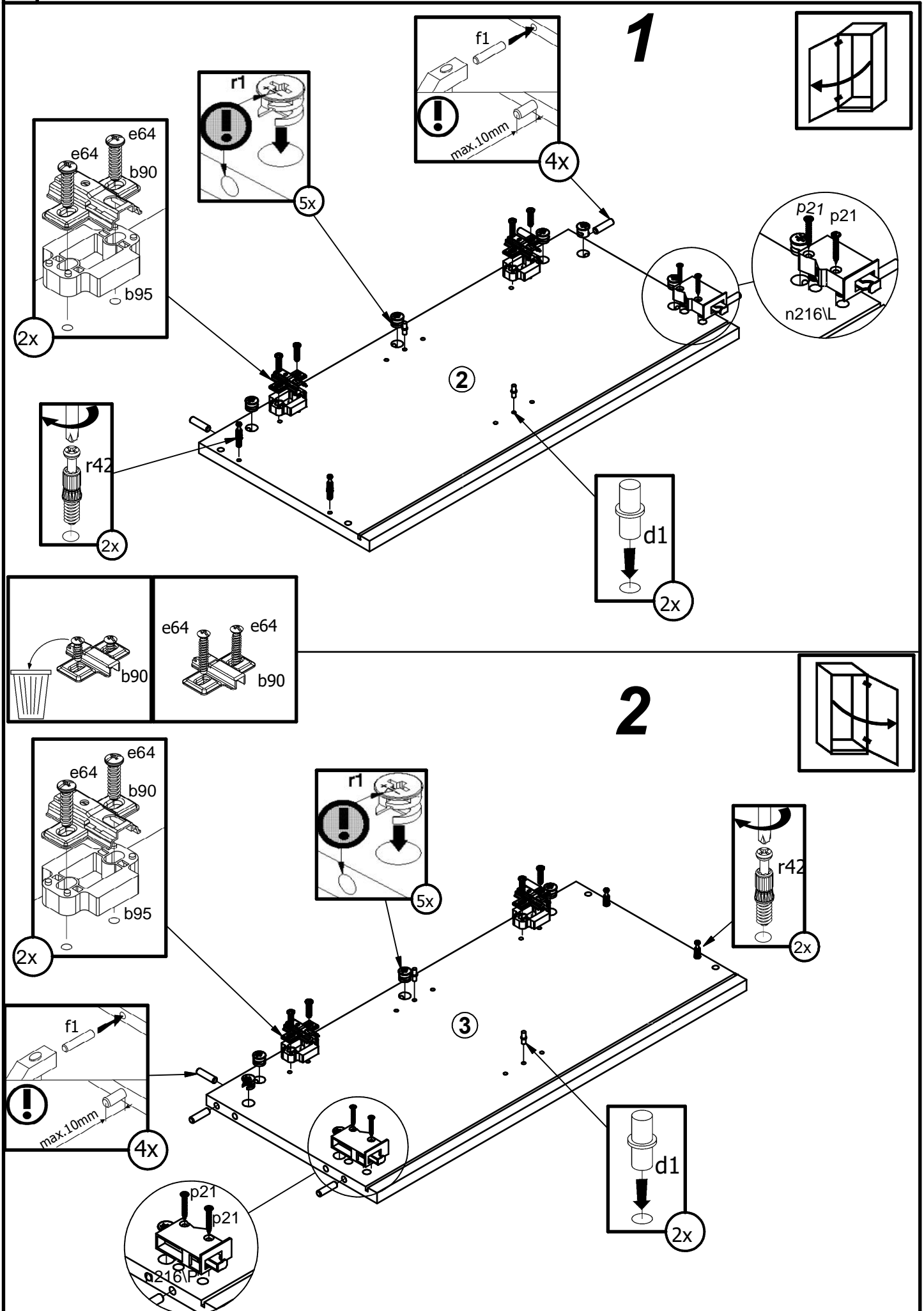
A	B	C1	C2	C3	D
1	S538-0005	647	451	22	1\1
2	S538-1008	650	300	16	1\1
3	S538-1009	650	300	16	1\1
4	S538-2004	545	330	16	1\1
5	S538-3006	489	300	16	1\1
6	S538-3007	488	270	16	1\1
7	S538-5004	650	43	19	1\1
8	S538-5801	356	67	22	1\1
9	S538-5802	356	67	22	1\1
10	S538-5805	598	67	22	1\1
11	S538-9003	644	499	2,5	1\1



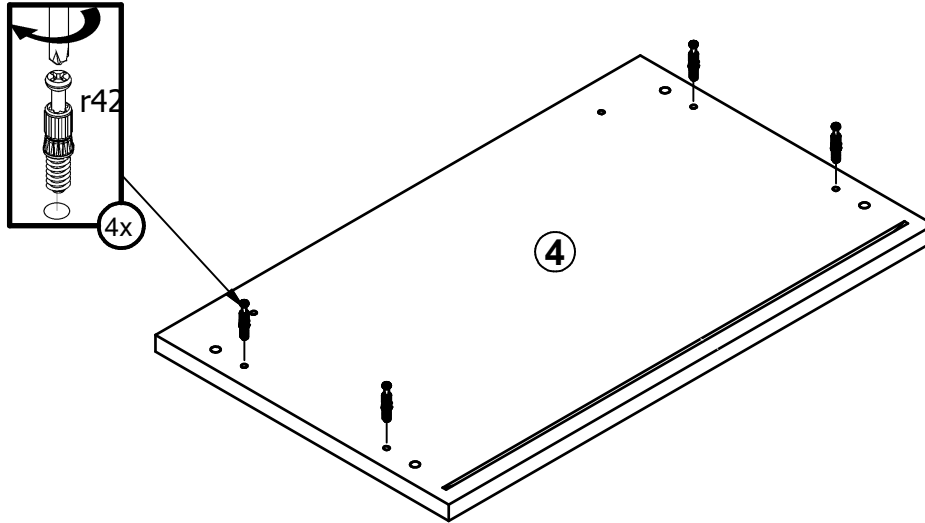
- 14x r42
- 14x r1
Ø15x12 mm #16
- 4x p51
Ø3,5x15 mm
- 4x p21
Ø4x30 mm
- 1x d4
Ø6,3x15 mm
- 6x p20
Ø3,5x20 mm
- 14x s68
Ø20mm
- 1x n216/P
- 1x n216/L
- 2x n217
- 12x f1
Ø8x30 mm
- 2x j6
M4x30 mm
- 4x l2
- 1x c453
- 4x d1
Ø5x17 mm
- 4x e64
Ø6x26 mm
- 2x a203
- 2x b90
- 2x b95
h=11 mm

- 4x p17
Ø5x60 mm
- 4x f35
Ø10x50 mm

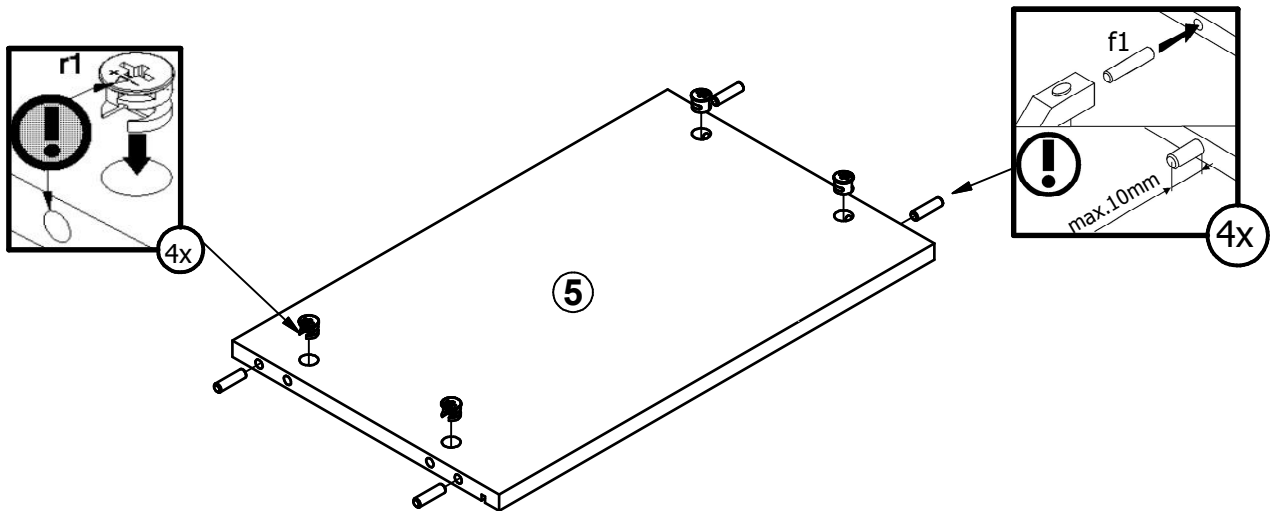




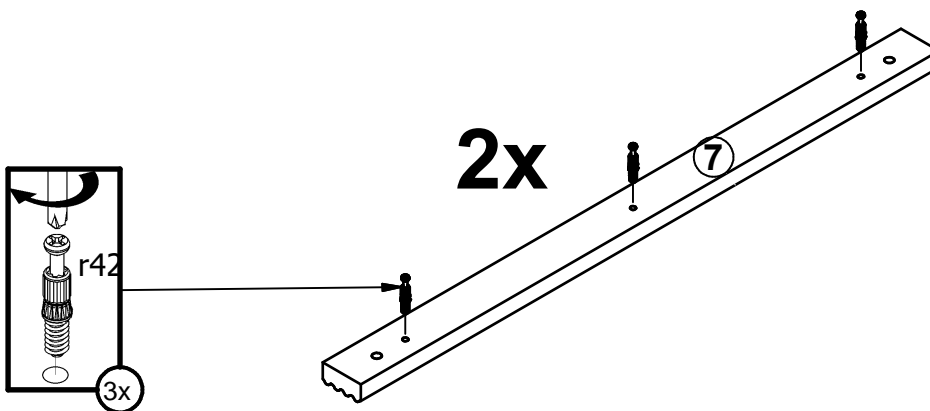
3



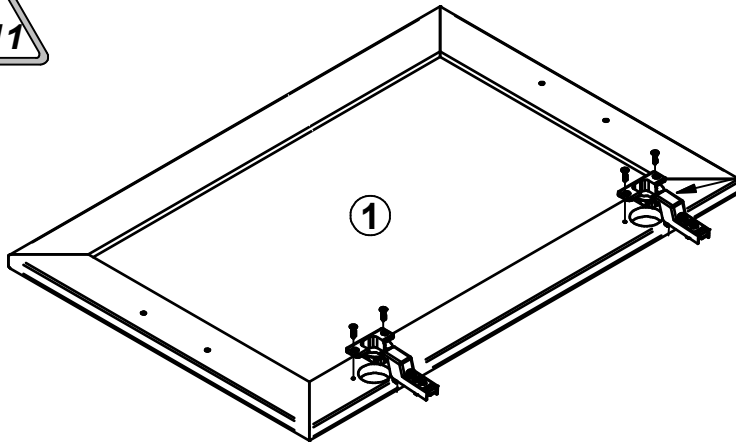
4



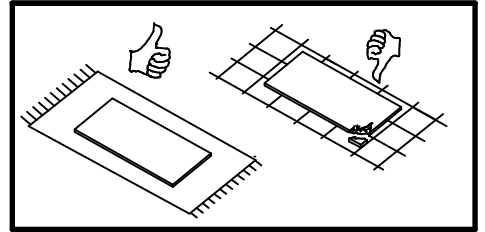
5



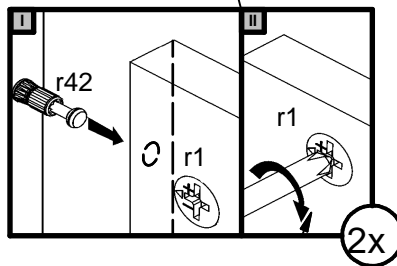
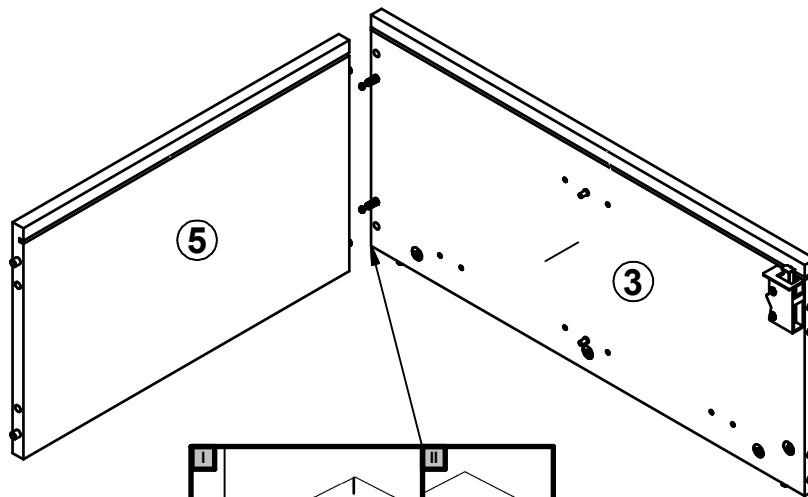
6



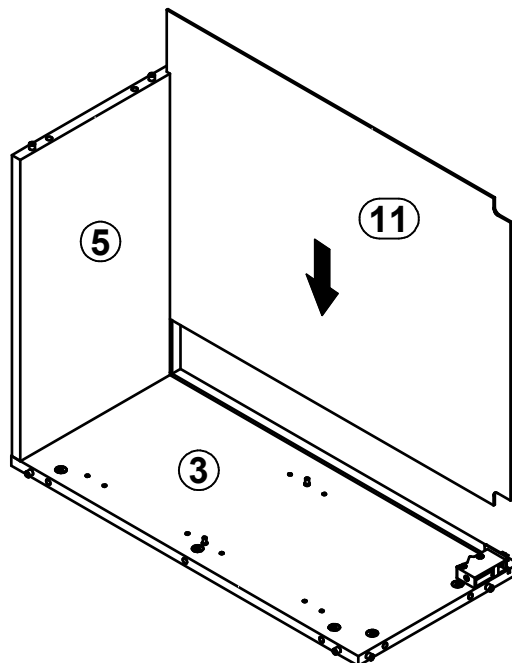
2x



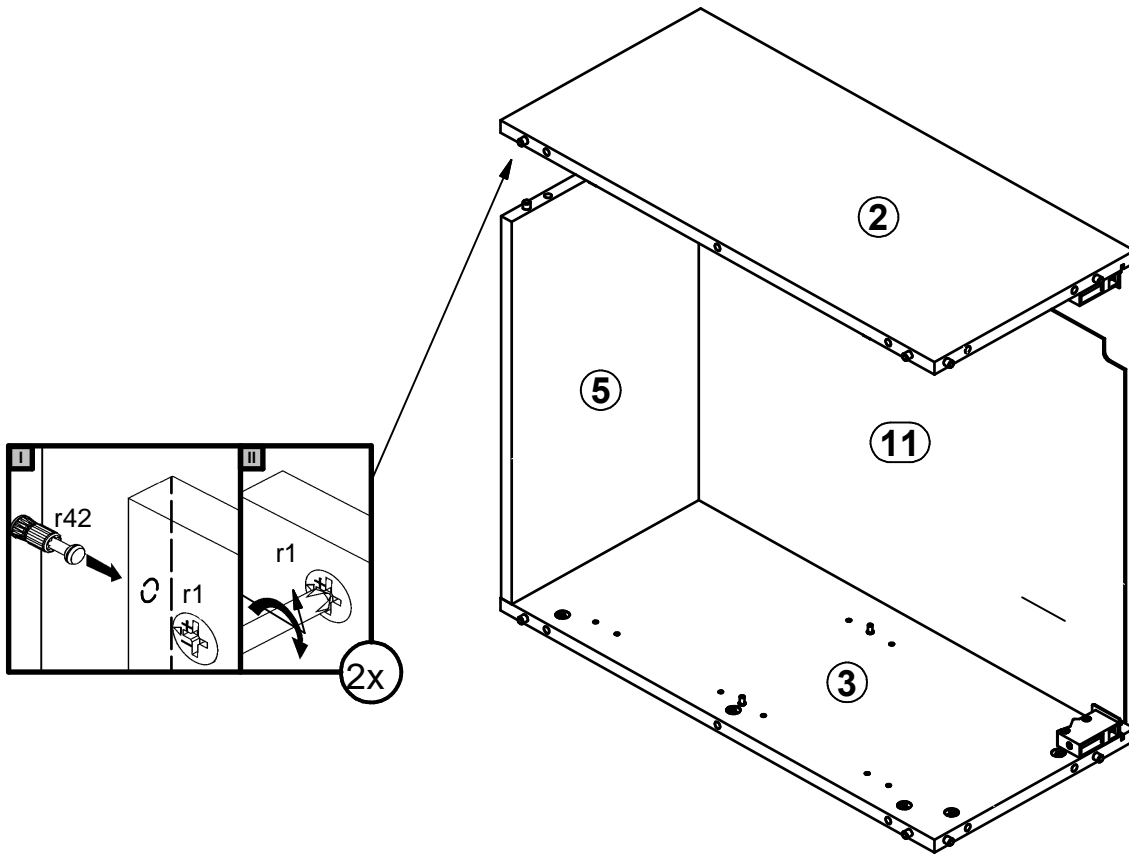
7



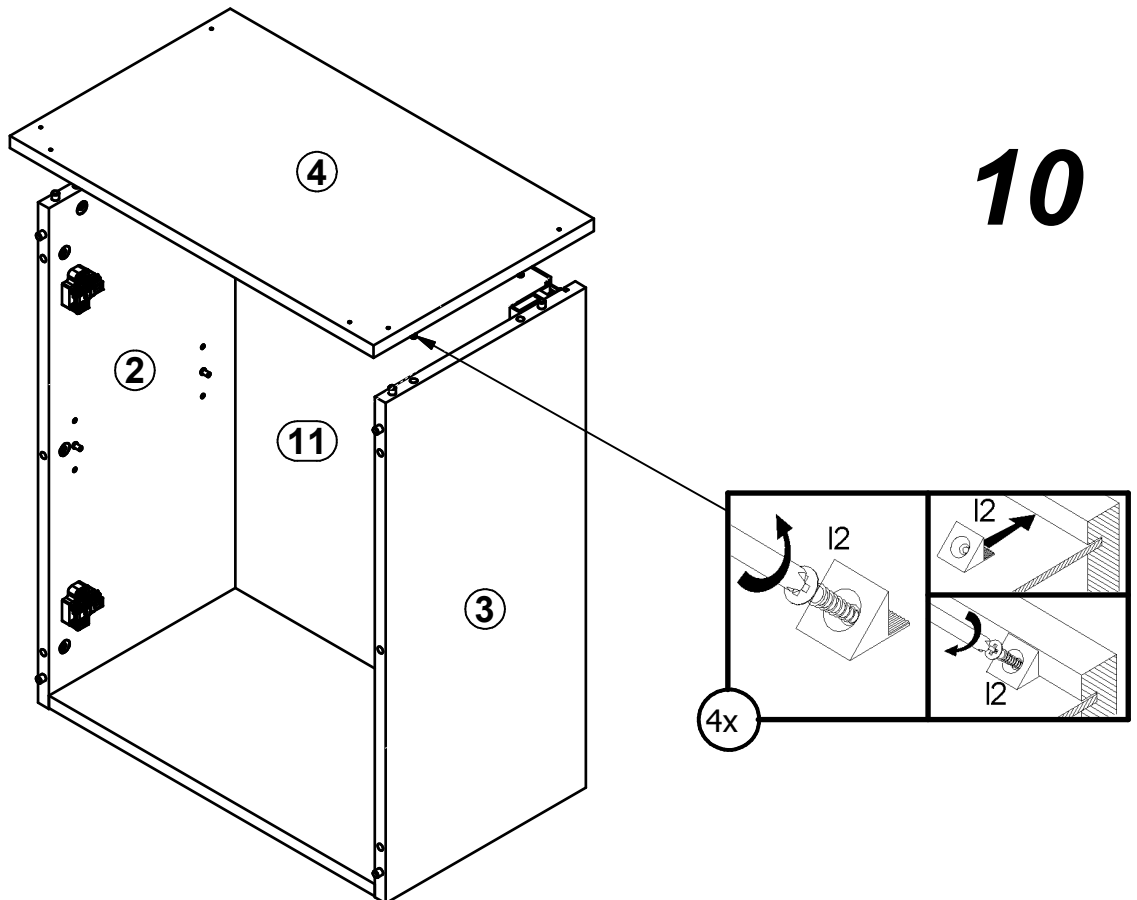
8

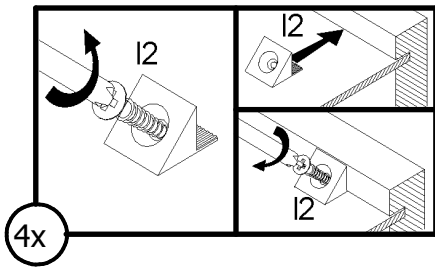


9

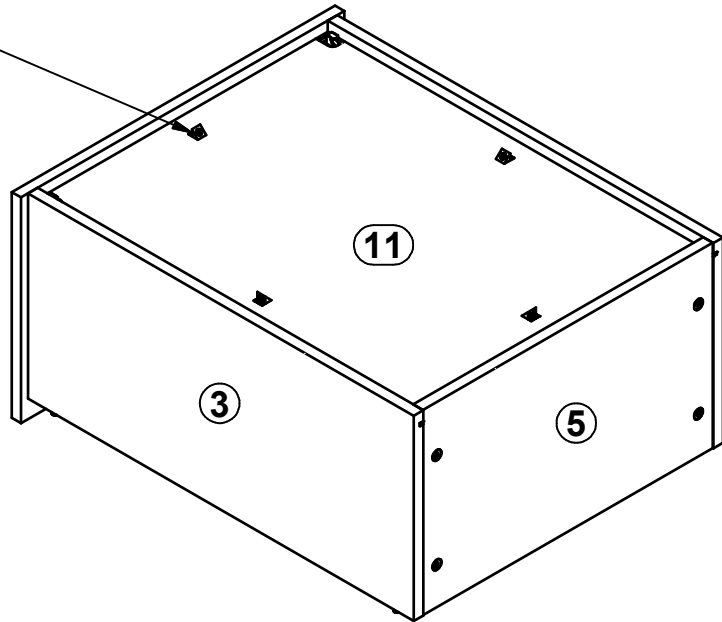


10

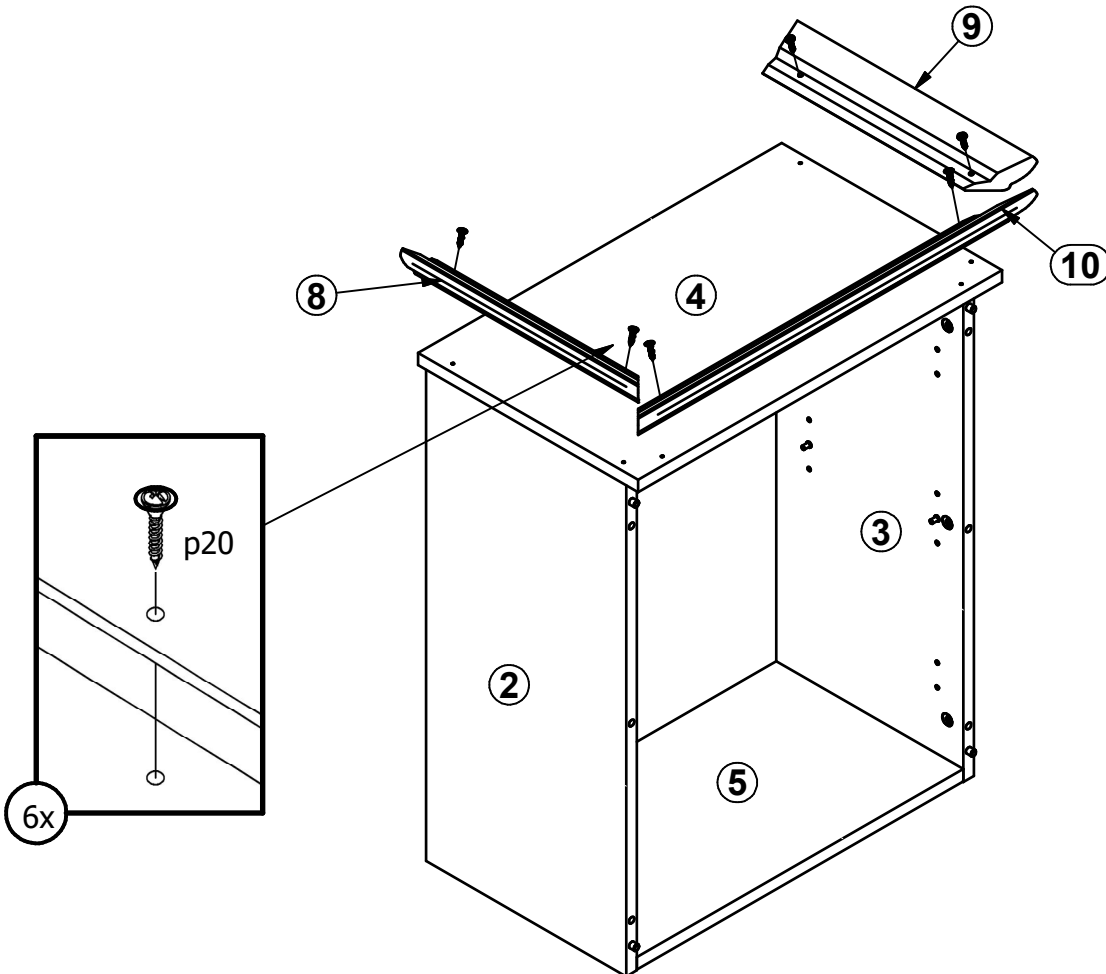




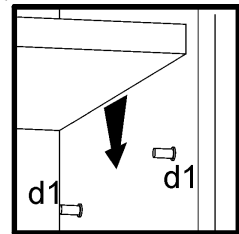
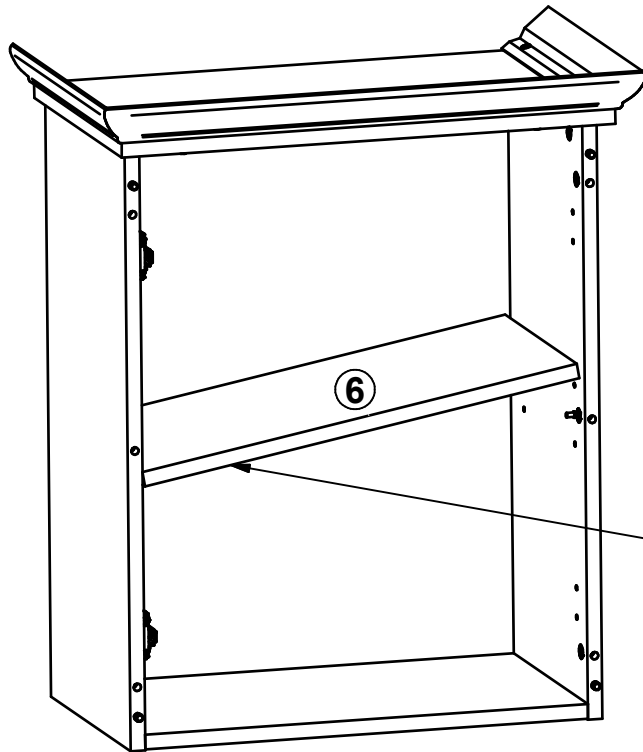
11



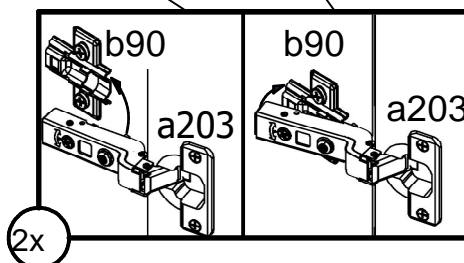
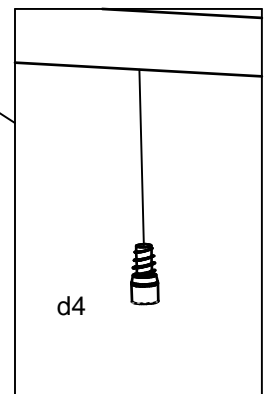
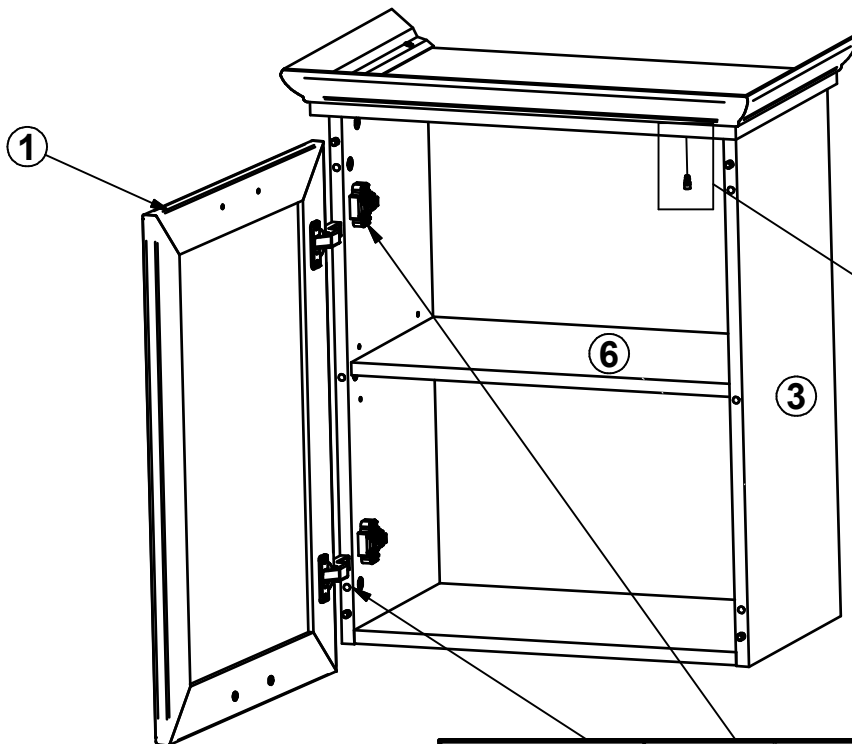
12



13

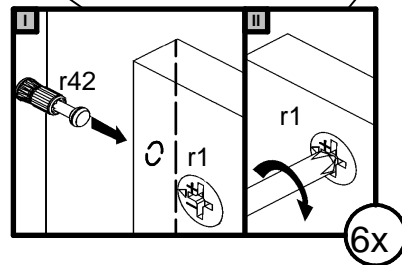
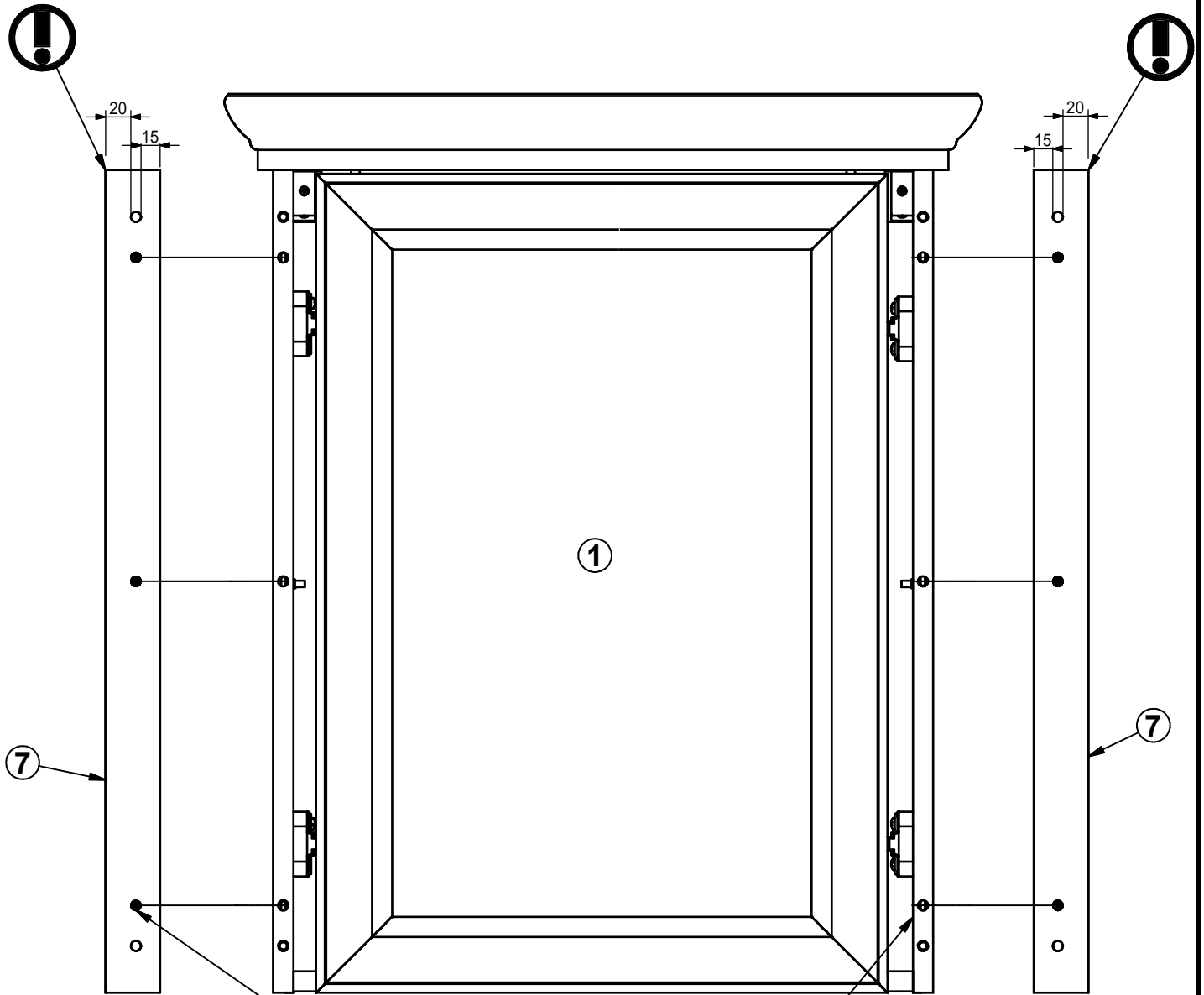


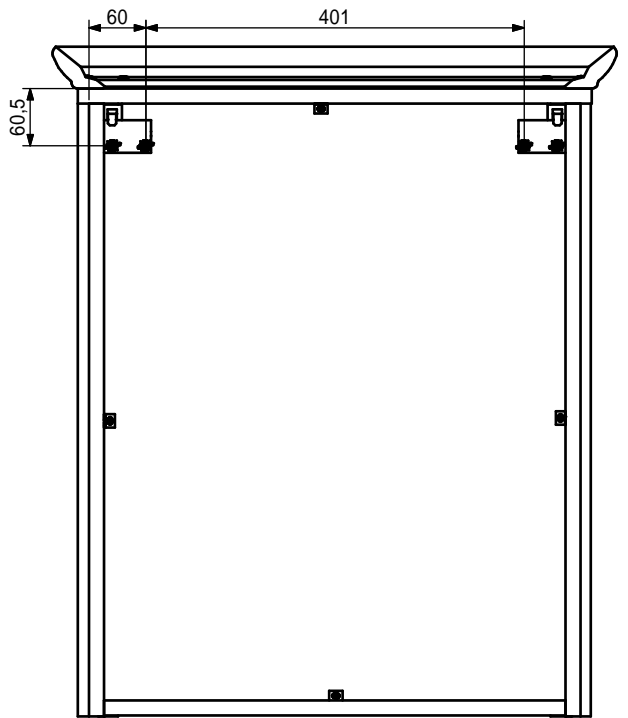
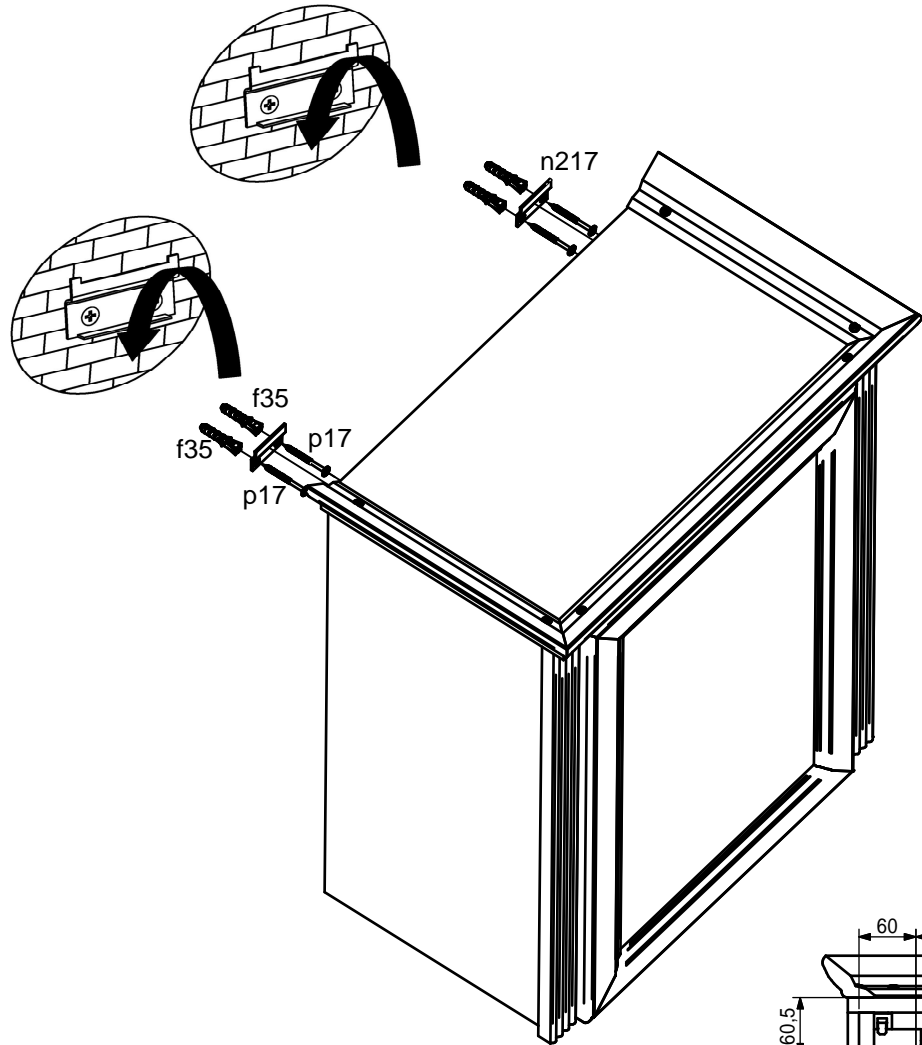
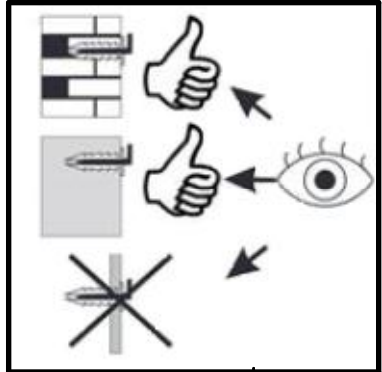
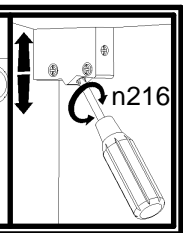
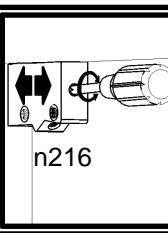
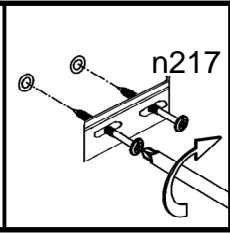
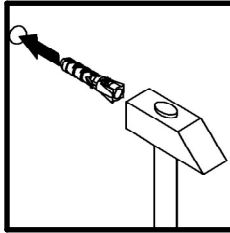
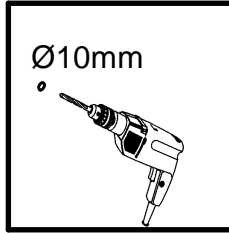
14



2x

15





17

