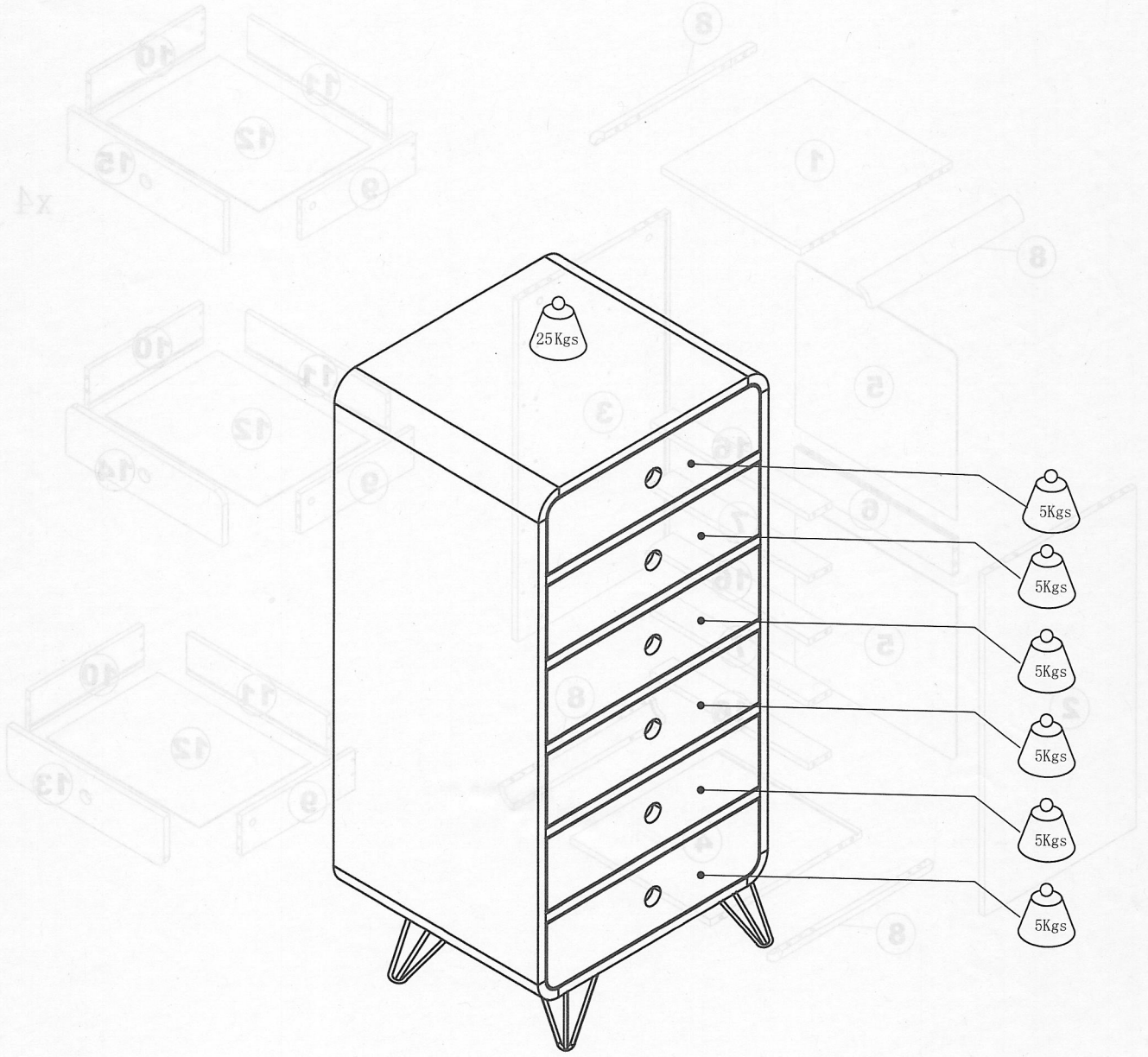


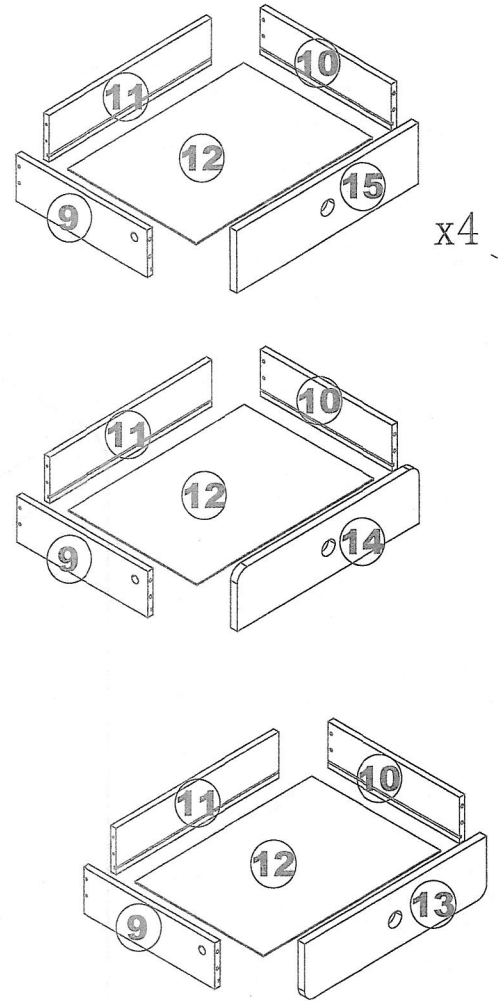
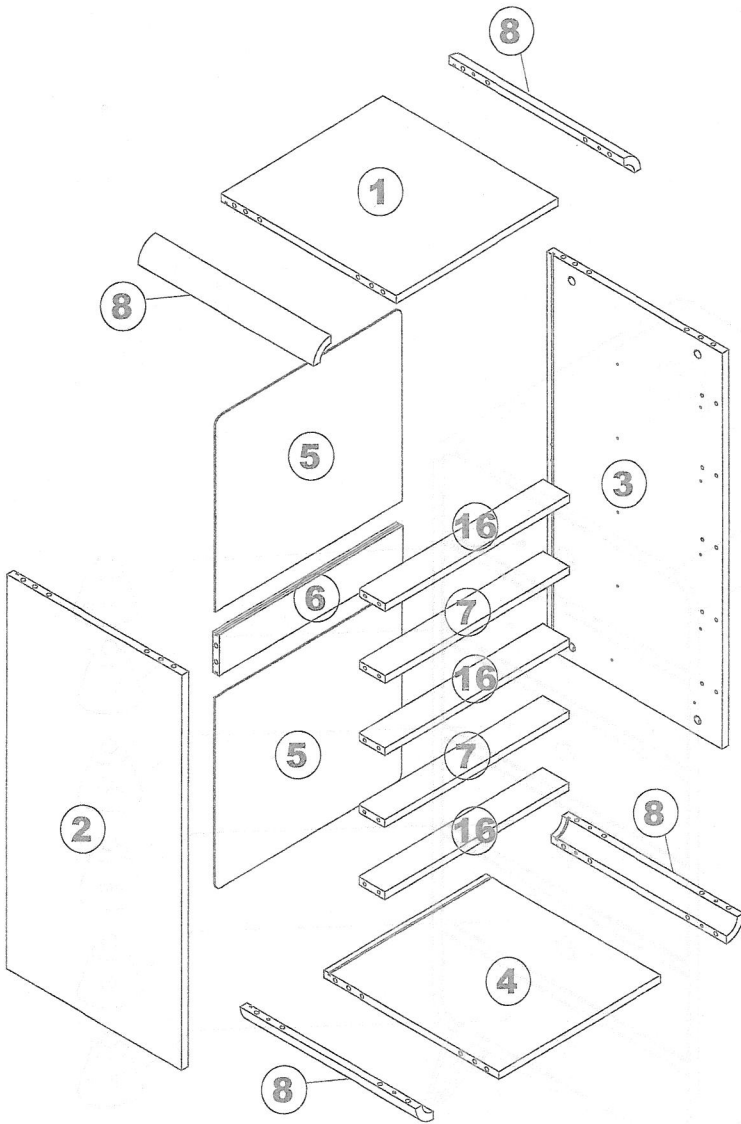
17510002/05

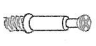

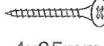
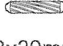


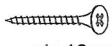

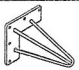



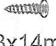





G x 2	F x 15	E x 48	D x 48	C x 24	B x 38	A x 38
mm04x40	mm06x30	mm08x48	mm08x48	mm08x30	mm08x38	mm08x38
N x 8	M x 10	S x 2	K x 6	L x 6	I x 4	H x 20
mm04x40	mm06x30	mm08x48	mm08x48	mm08x30	mm08x38	mm08x38
P x 4	O x 2					
mm04x40	mm06x30					

2 PERS.

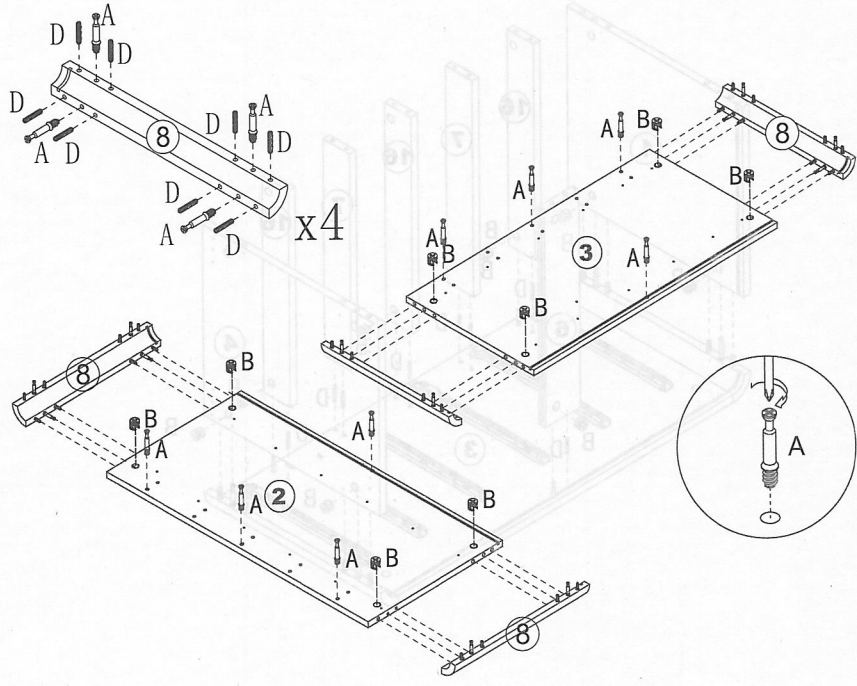
45 MIN

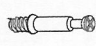



A x36 	B x36  ø15x9mm	C x 24  4x35mm	D x48  8x30mm	E x 48  3x12mm	F x 12  6x30mm	G x 2  ø4x40mm	
H x 20  ø4x14mm	I x 4 	J x 6 	K x 6 	L x2 	M x10  3x14mm	N x8 	
O x2 	P x4 						


1

8




A	x24
	

B	x8
	
ø15x9mm	

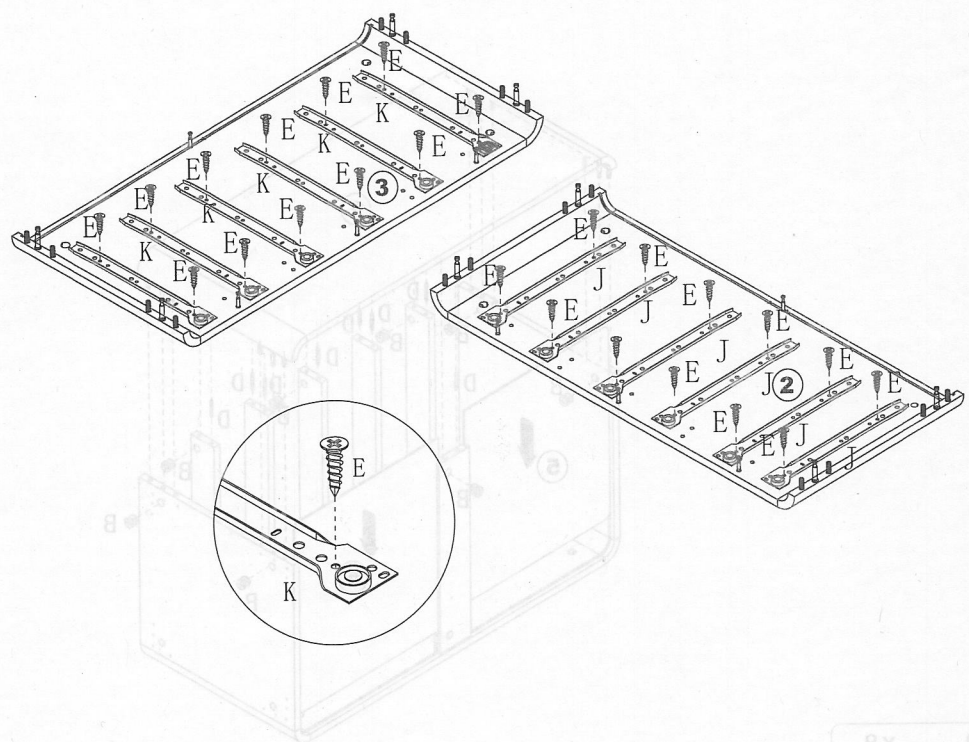
D	x32
	
8x30mm	


8x	D
	
mm08x8	


8x	B
	
mm8x21ø	

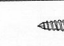
2


4




J	x 6
	

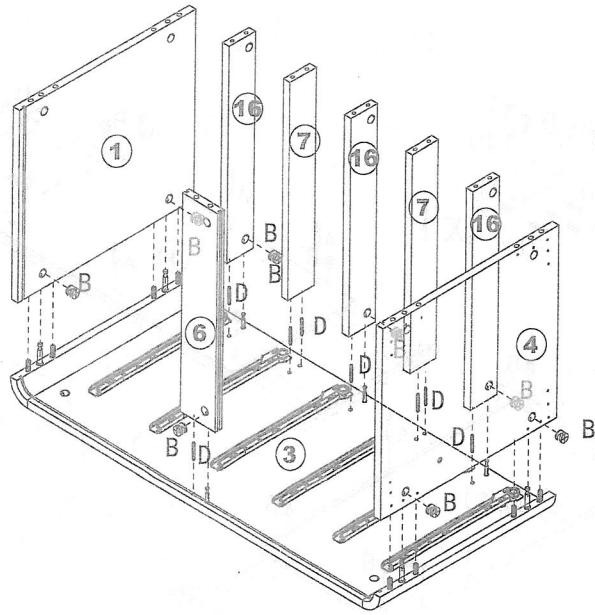
K	x 6
	


E	x 24
	
3x12mm	


8x	D
	
mm08x8	

8x	B
	
mm8x21ø	

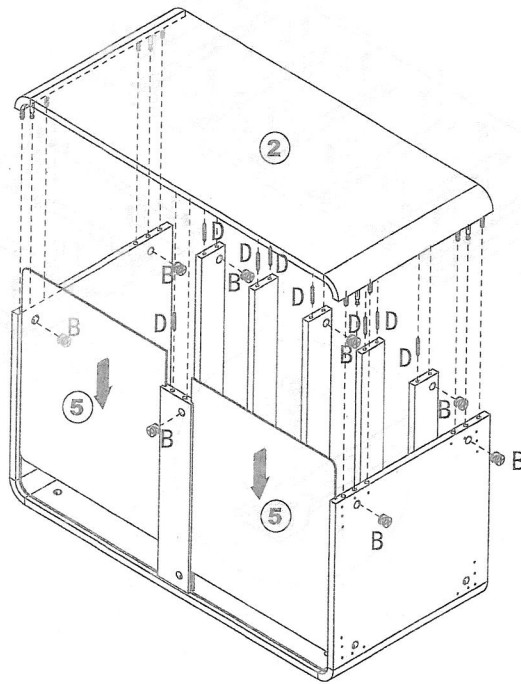
3





B	x8
	
ø15x9mm	

D	x8
	
8x30mm	

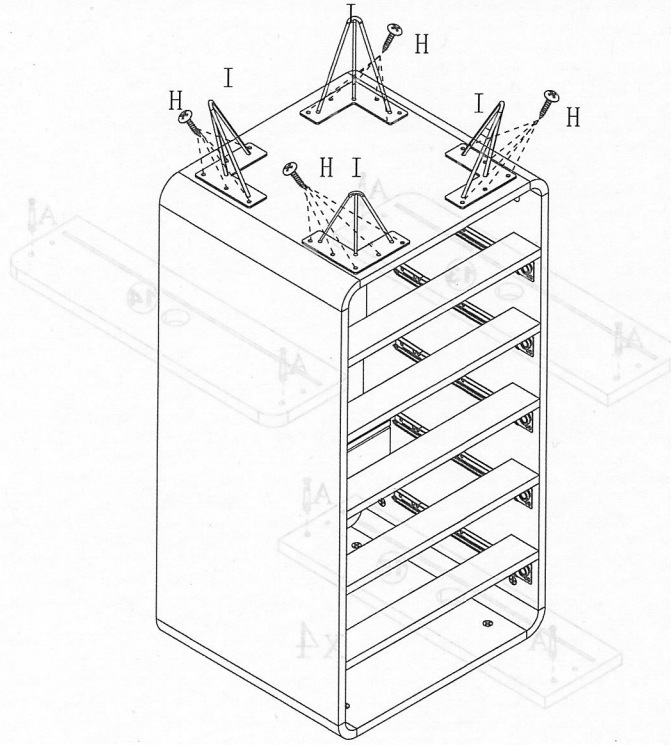
4




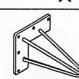
B	x8
	
ø15x9mm	


D	x8
	
8x30mm	

5

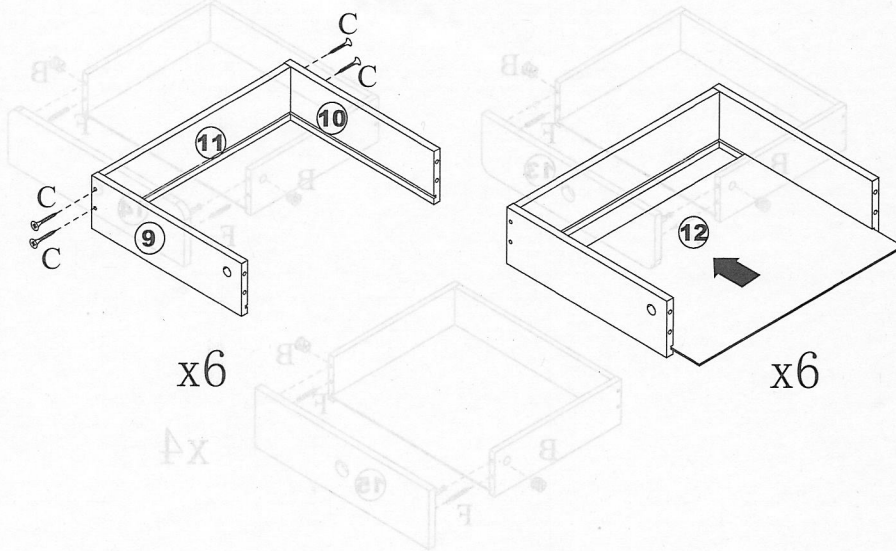


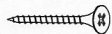
H	x 20
	
ø4x14mm	

I	x 4
	


S1x	A
	

6

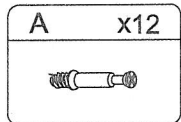
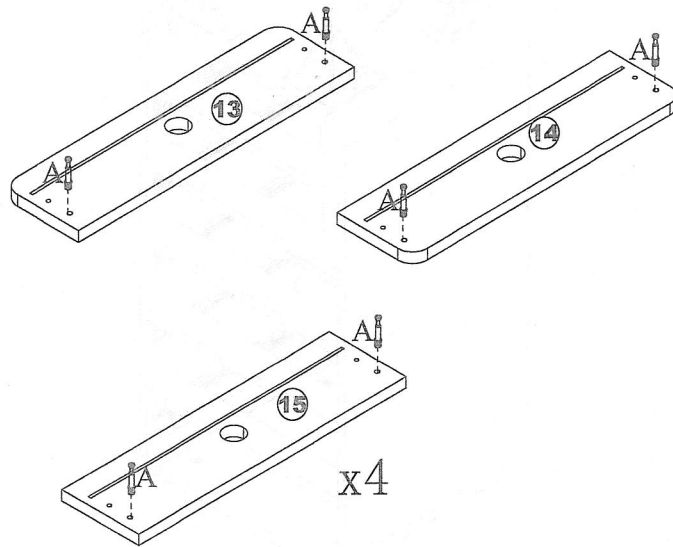


C	x 24
	
4x35mm	

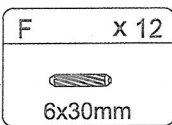
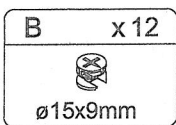
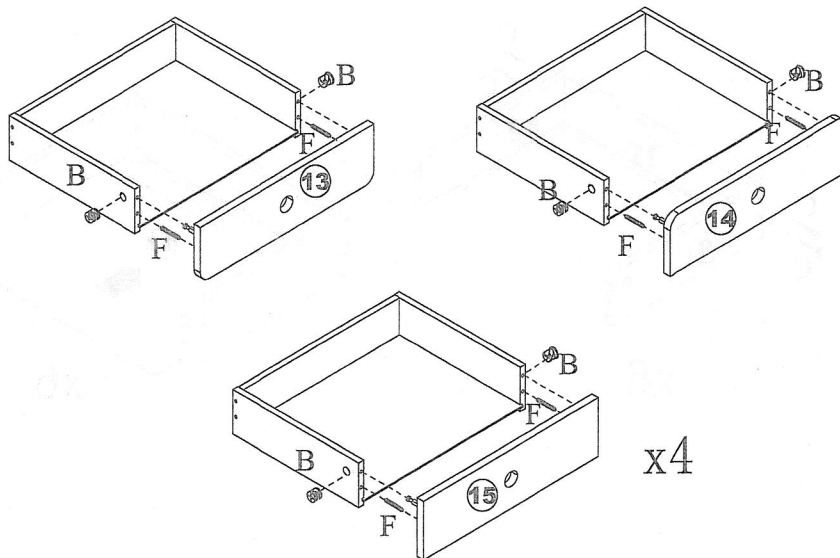
S1x	F
	
mm05x8	

S1x	B
	
mm9x2	

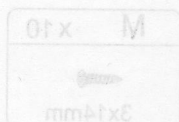
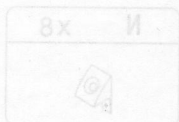
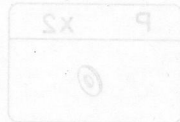
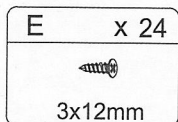
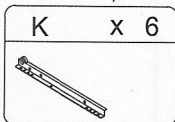
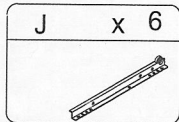
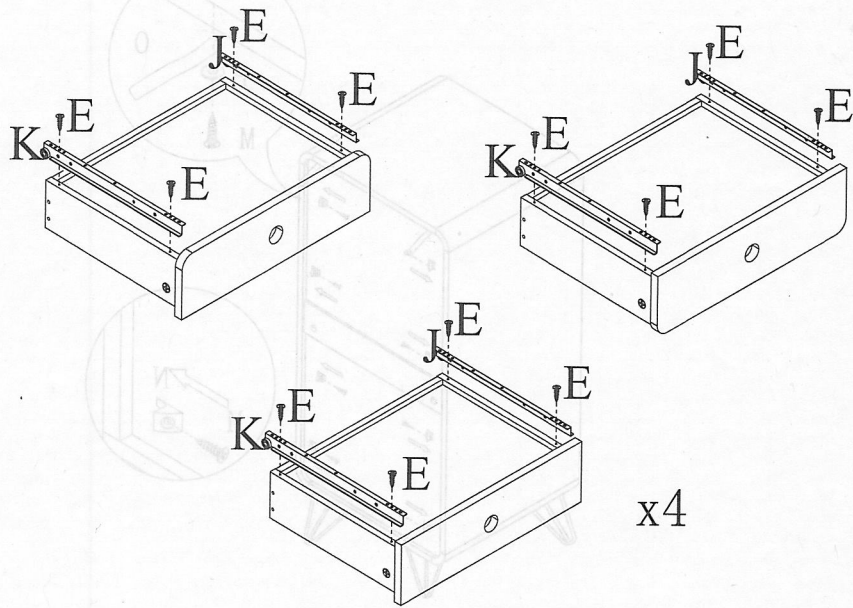
7



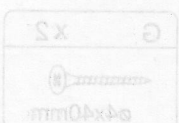
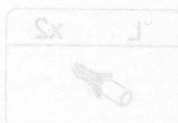
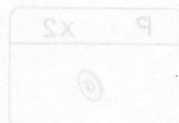
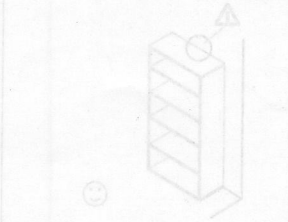
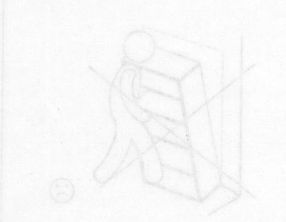
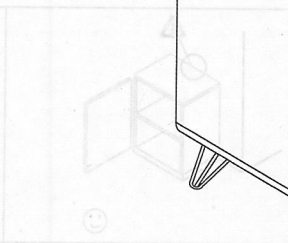
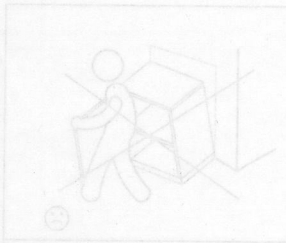
8



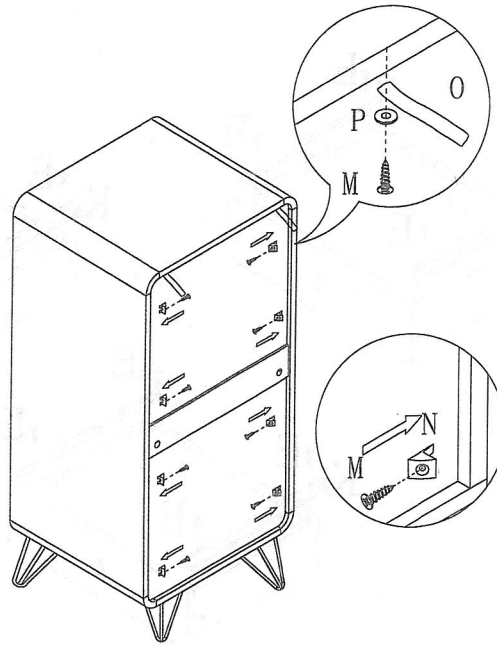
9



10

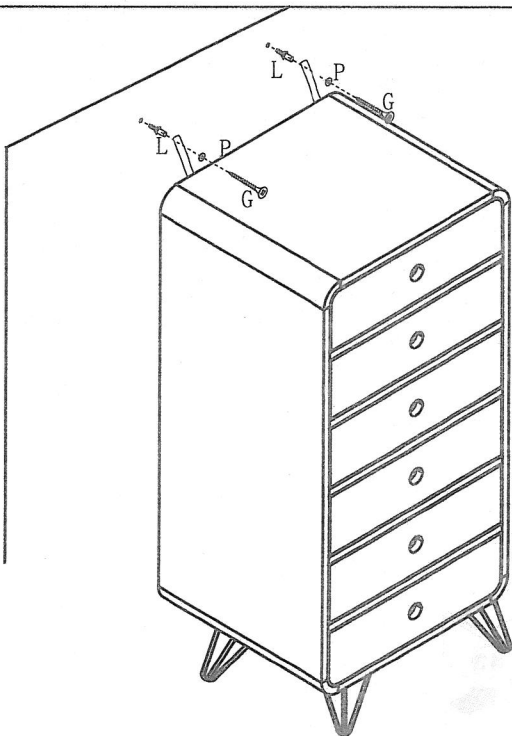


11



M x10 3x14mm	N x8 	O x2 	P x2
---------------------	----------	----------	----------

12



G x2 ø4x40mm	L x2 	P x2
---------------------	----------	----------

