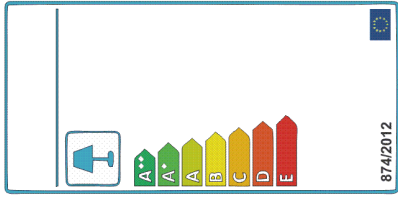
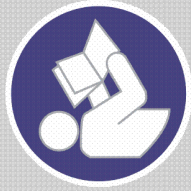


<http://www.bega-gruppe.de>

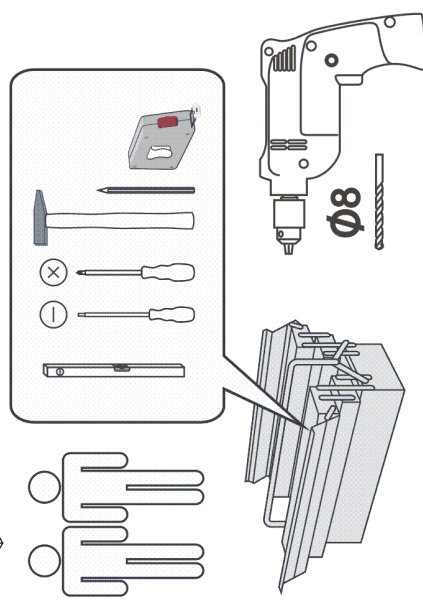
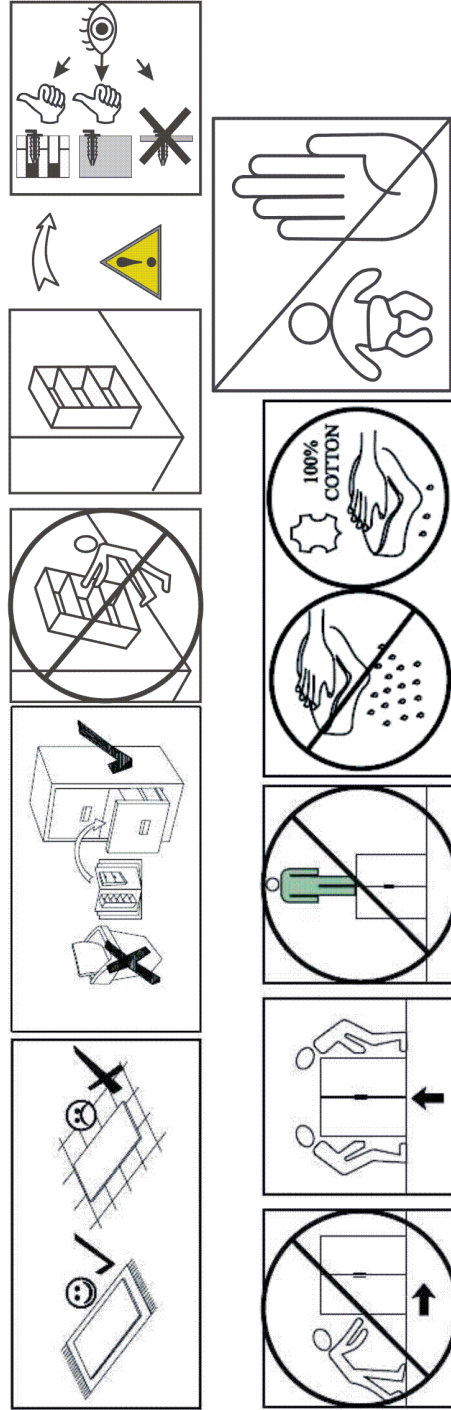
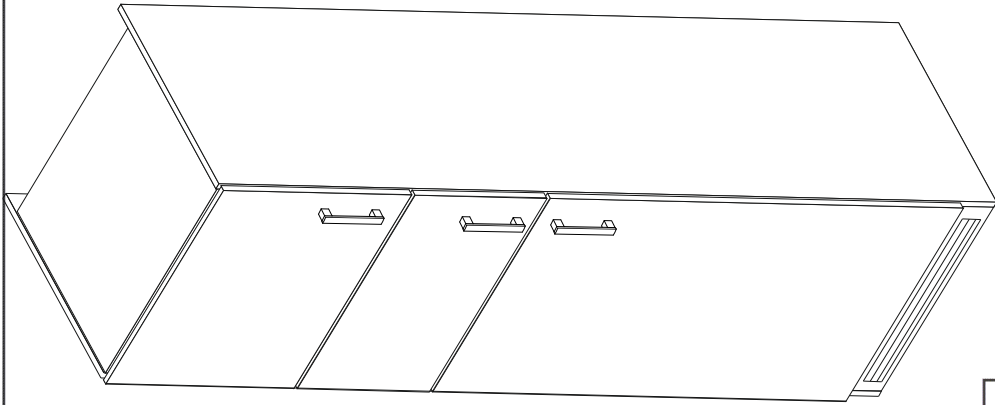


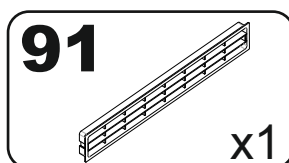
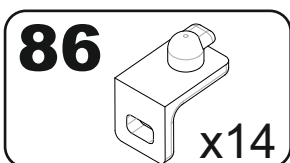
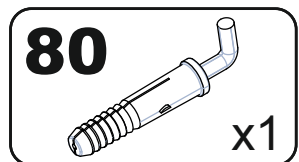
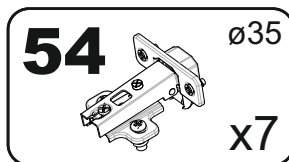
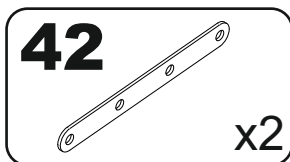
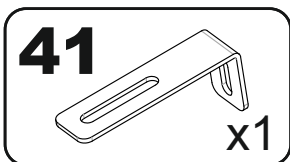
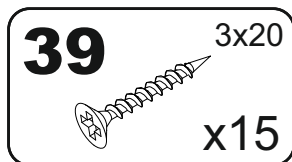
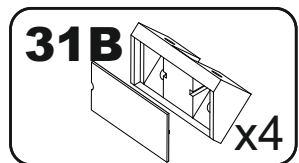
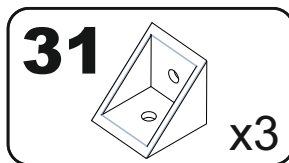
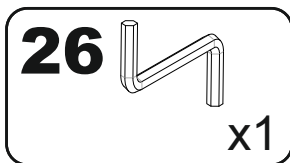
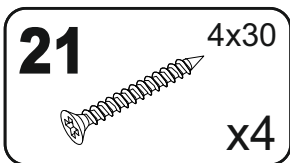
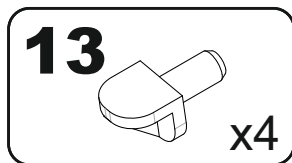
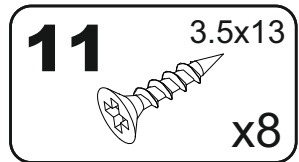
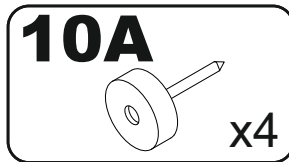
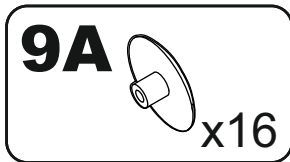
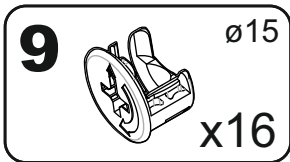
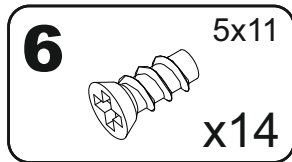
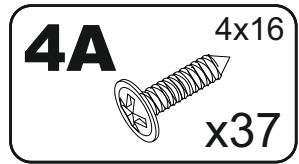
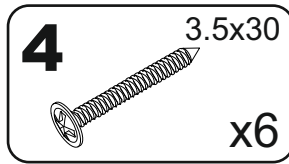
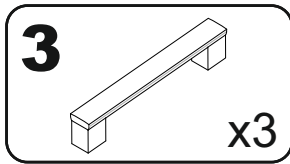
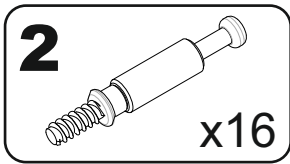
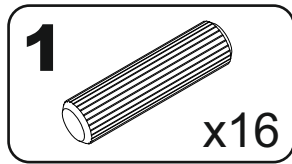
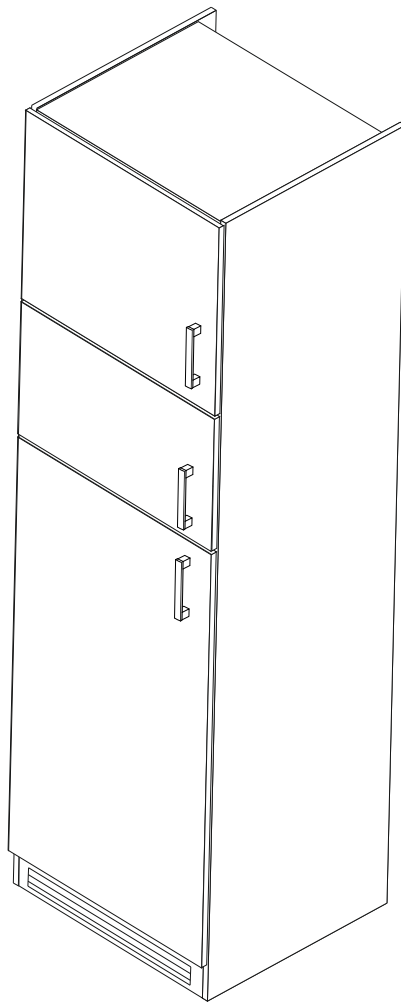
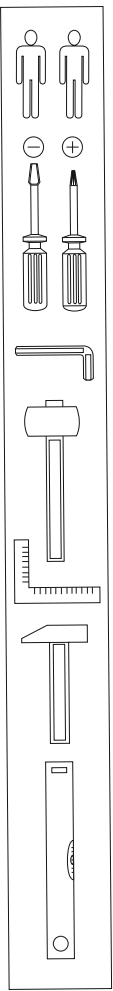
- |    |                |
|----|----------------|
| BG | Bulgarisch     |
| CS | Tschechisch    |
| DA | Dänisch        |
| DE | Deutsch        |
| ET | Eestlisch      |
| EL | Griechisch     |
| EN | Englisch       |
| ES | Spanisch       |
| FR | Französisch    |
| FI | Finnisch       |
| HR | Kroatisch      |
| HU | Ungarisch      |
| IT | Italienisch    |
| LV | Lettisch       |
| LT | Litauisch      |
| NL | Niederländisch |
| PL | Polnisch       |
| PT | Portugiesisch  |
| RO | Rumänisch      |
| SK | Slowakisch     |
| SL | Slowenisch     |
| SV | Schwedisch     |



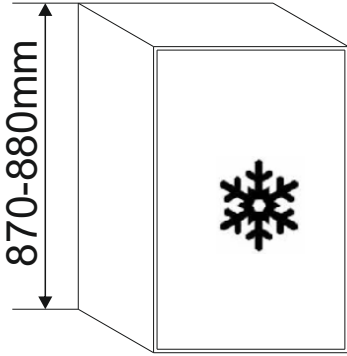
874/2012

60 min

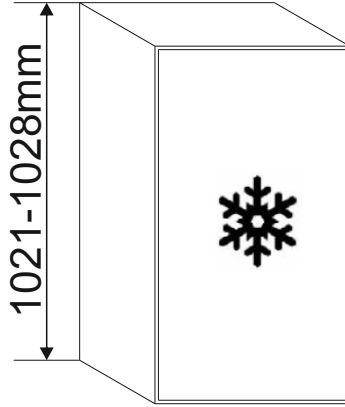




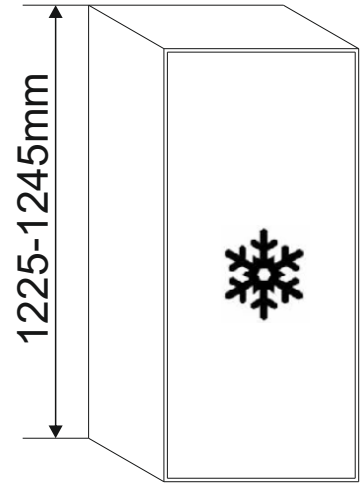
### OPTION 1



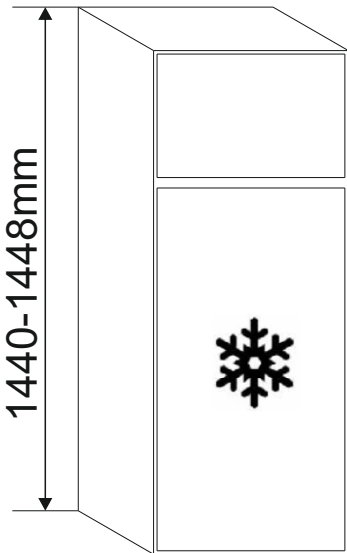
### OPTION 2



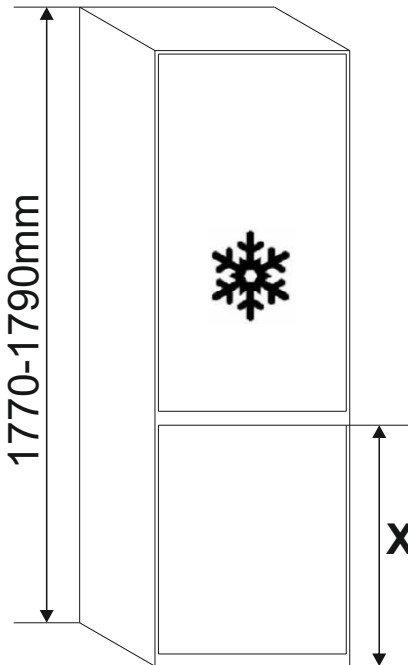
### OPTION 3



### OPTION 4

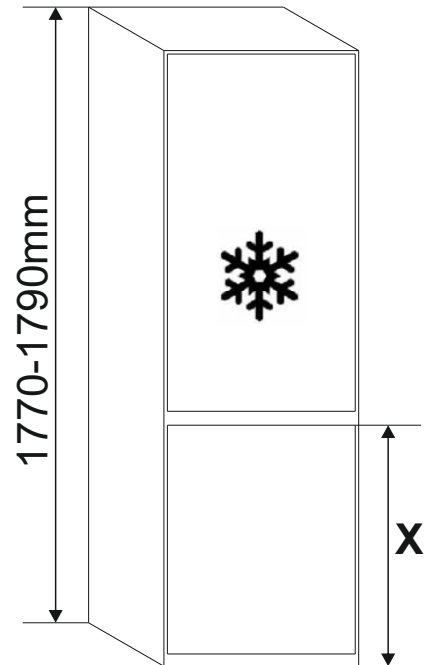


### OPTION 5



**$X \leq 718\text{mm}$**

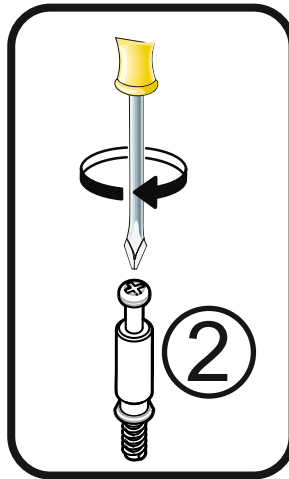
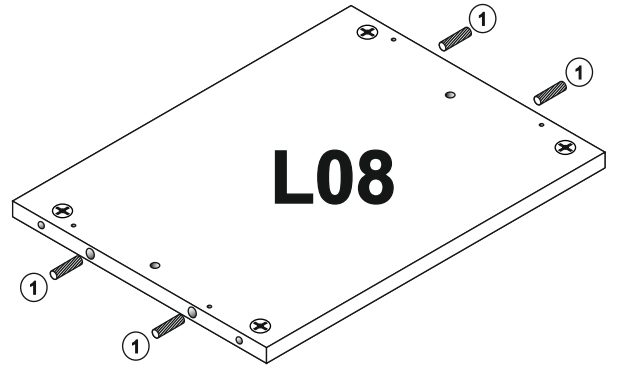
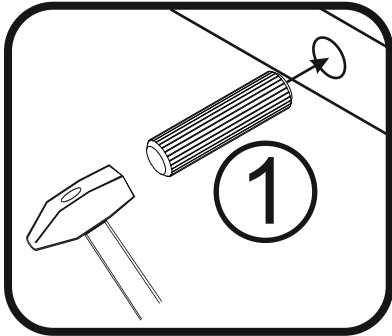
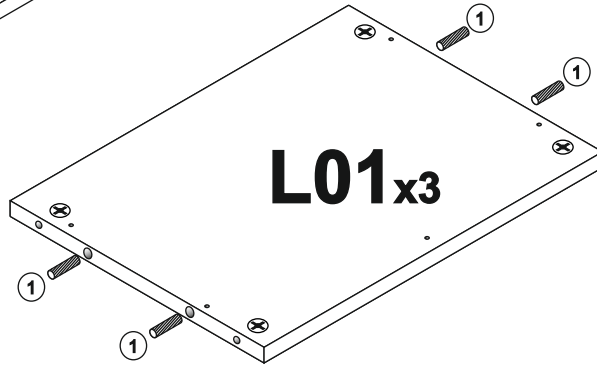
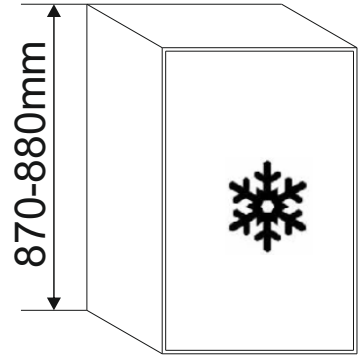
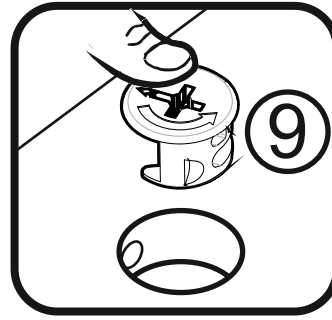
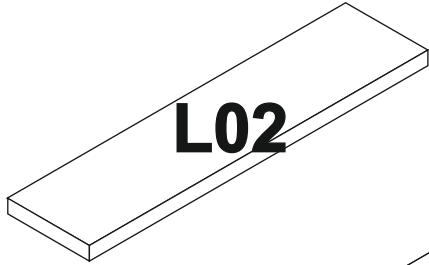
### OPTION 6



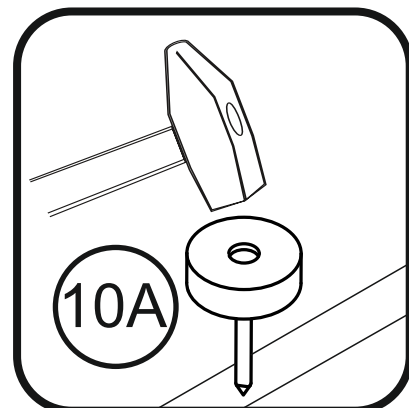
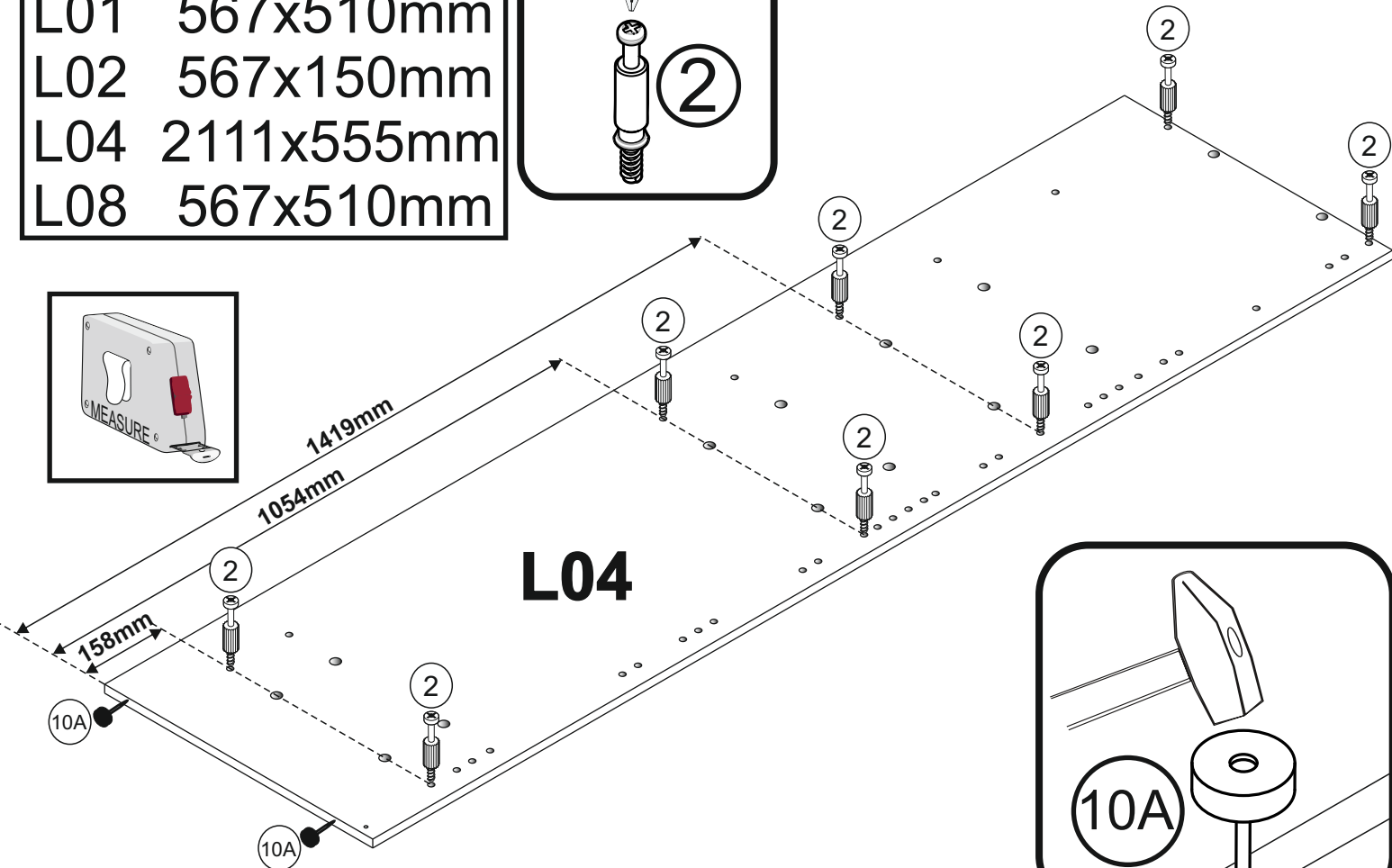
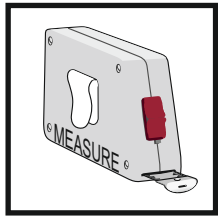
**$X > 718\text{mm}$**

# 1

## OPTION 1

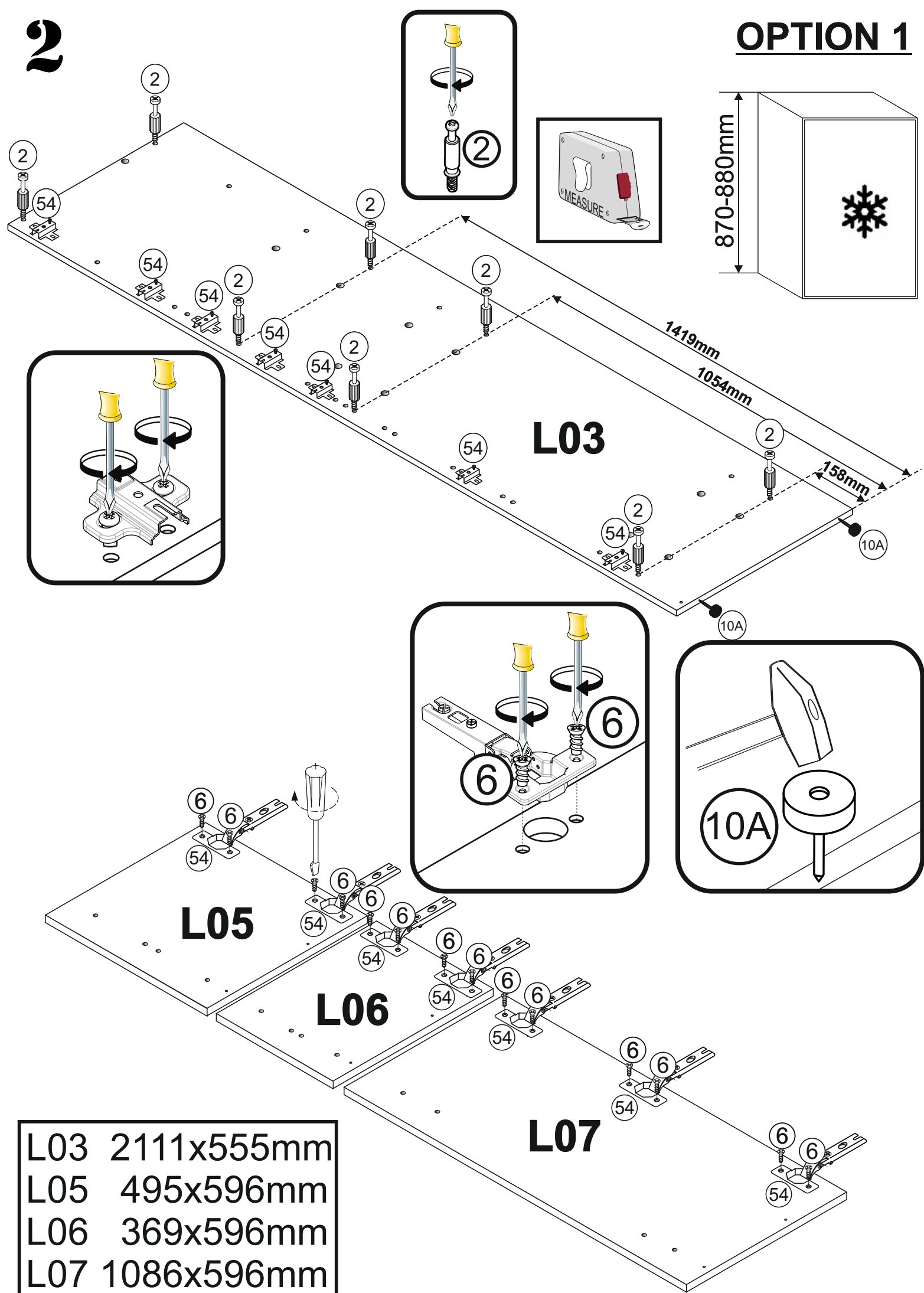


L01	567x510mm
L02	567x150mm
L04	2111x555mm
L08	567x510mm



# 2

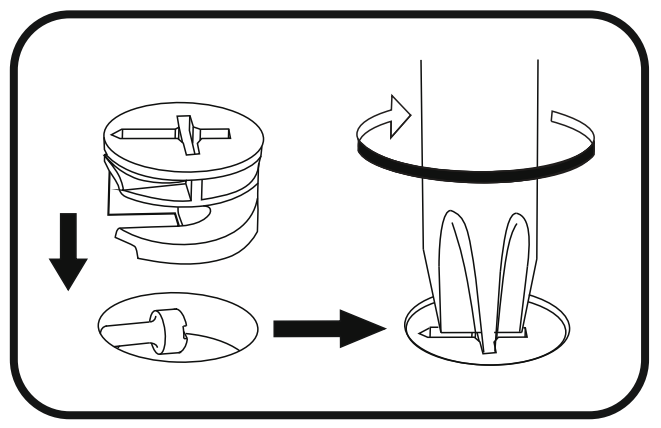
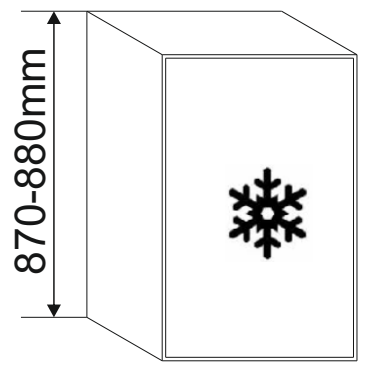
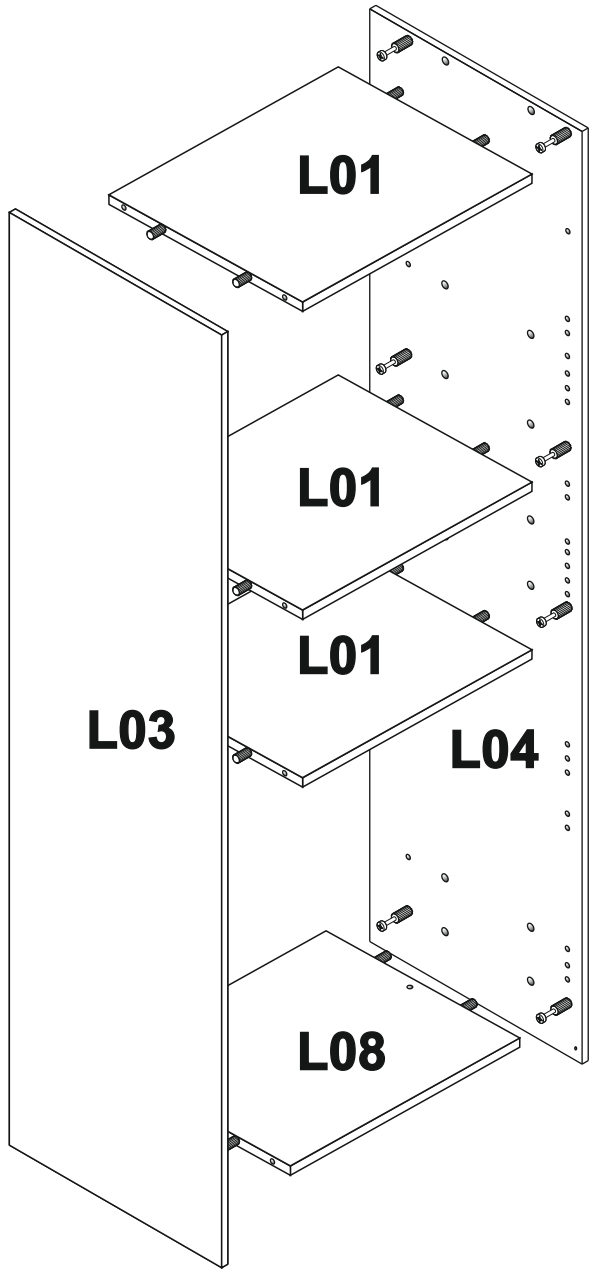
## OPTION 1



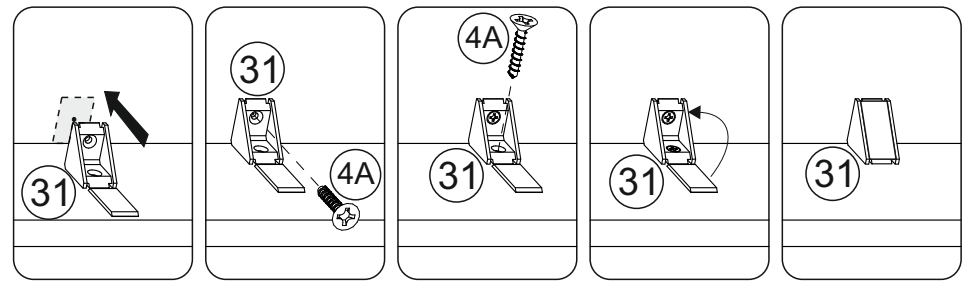
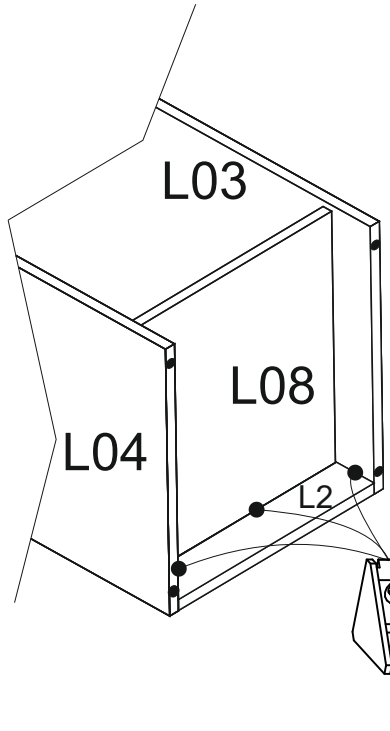
L03	2111x555mm
L05	495x596mm
L06	369x596mm
L07	1086x596mm

# 3

# OPTION 1



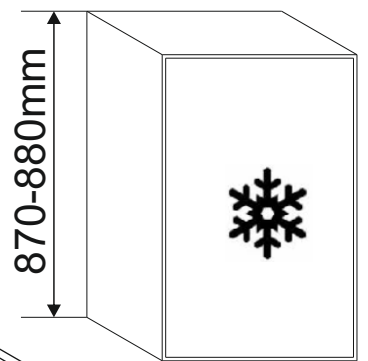
# 4



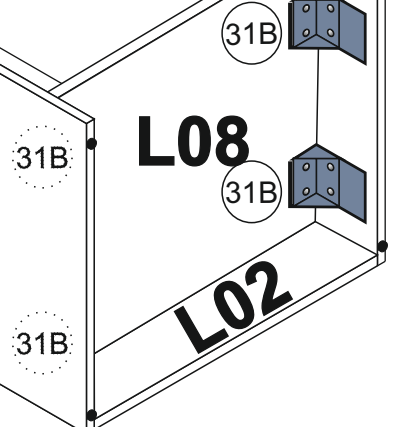
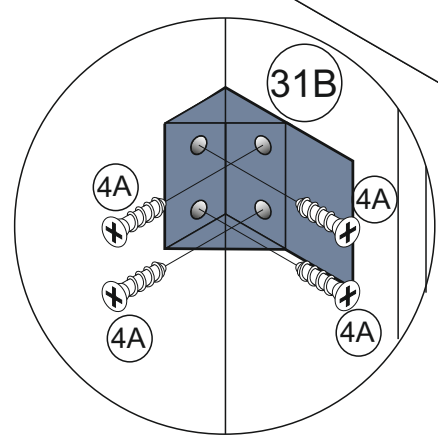
31 x3

5

OPTION 1

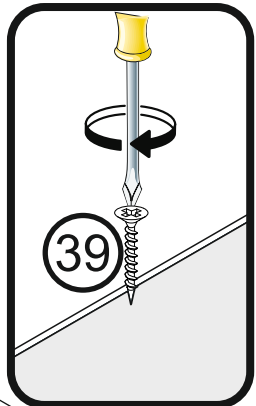
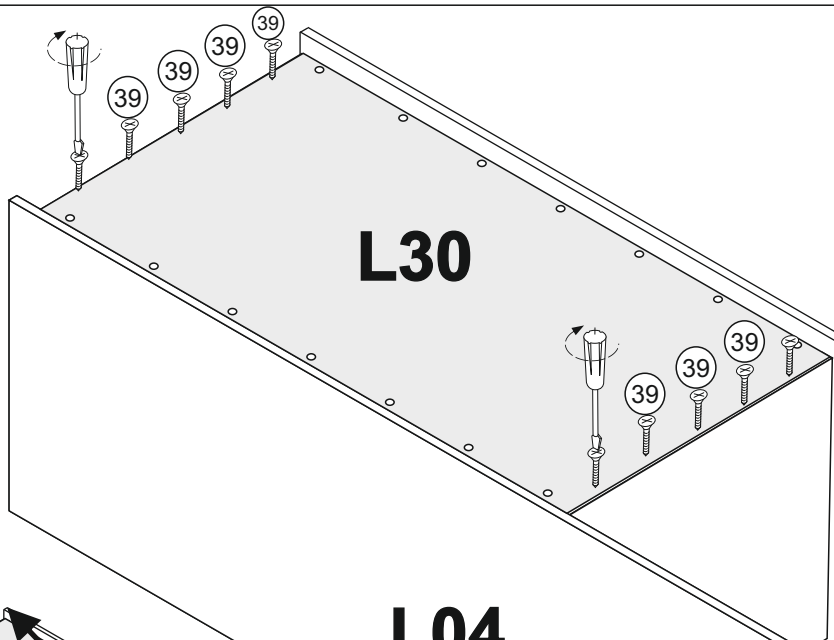


**L04**

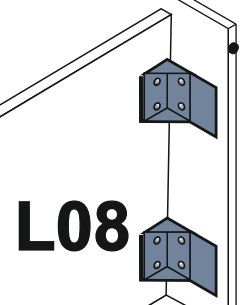
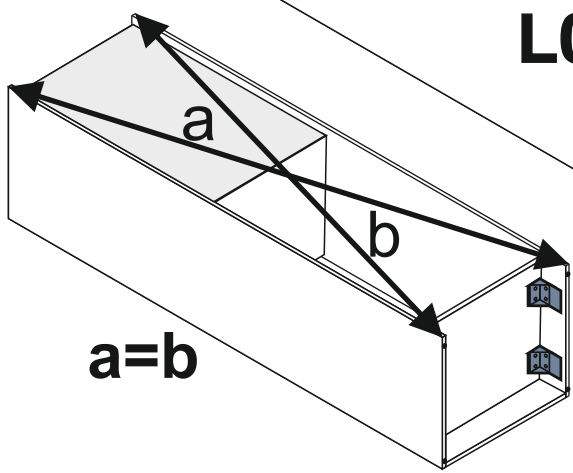


6

**L30** 1060x566mm

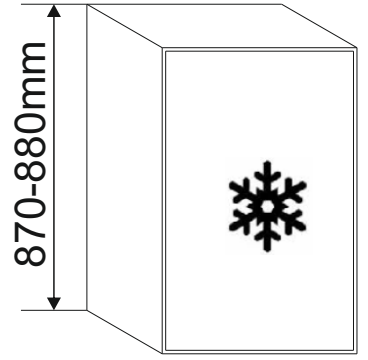
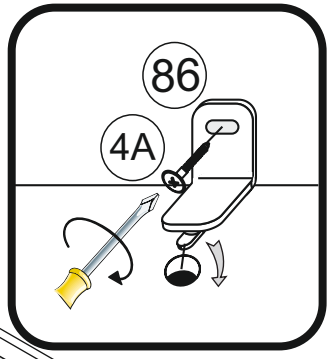
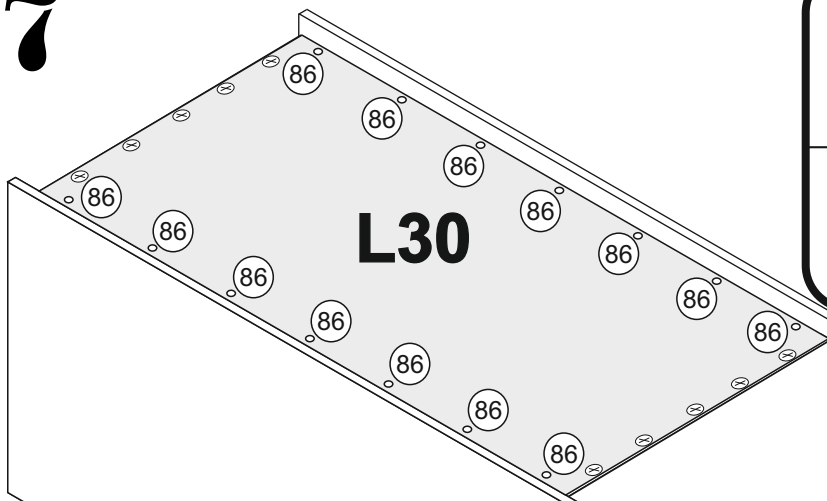


**L04**



7

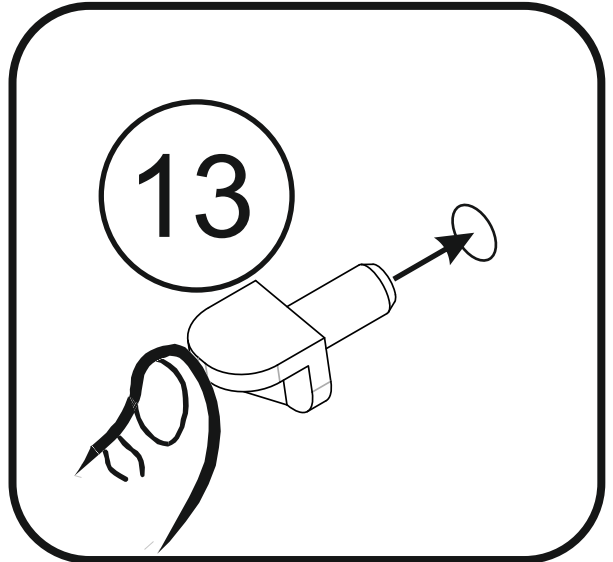
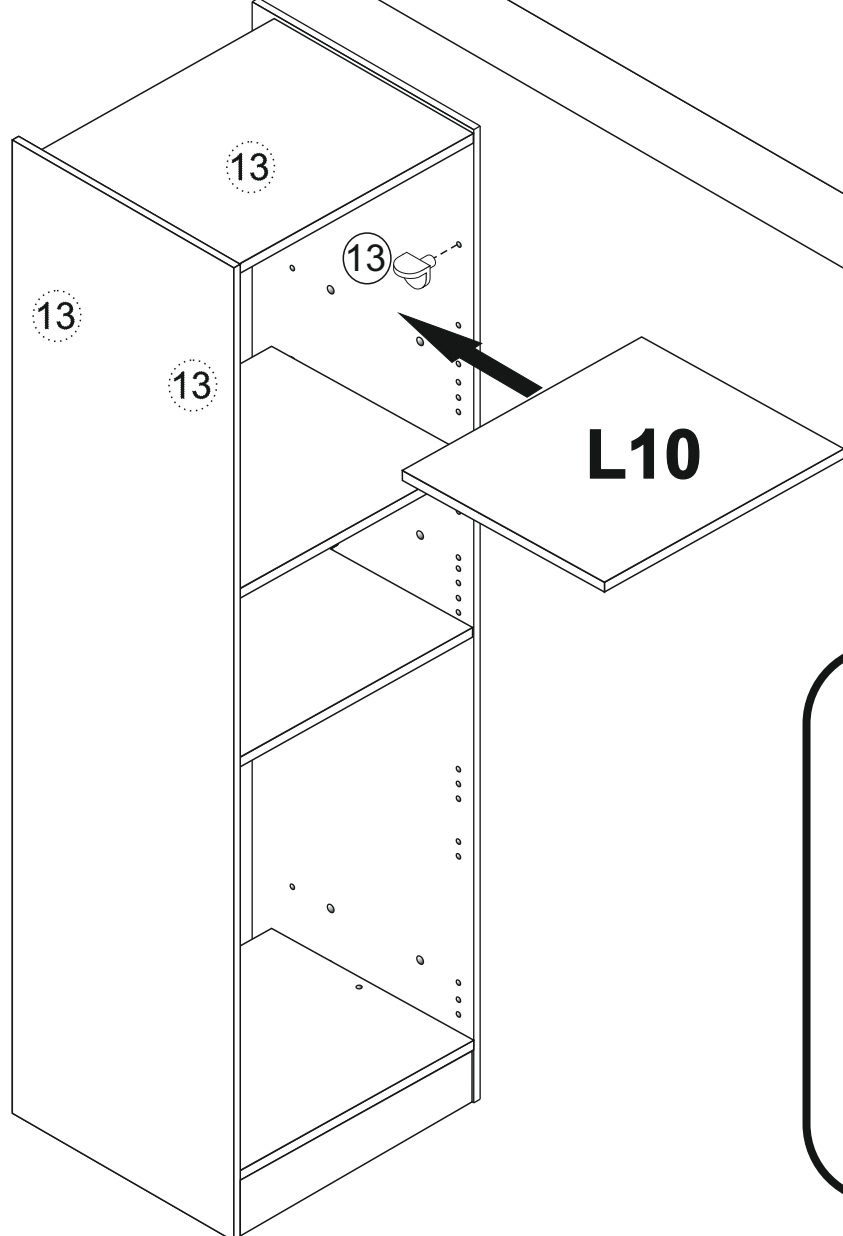
**OPTION 1**



8

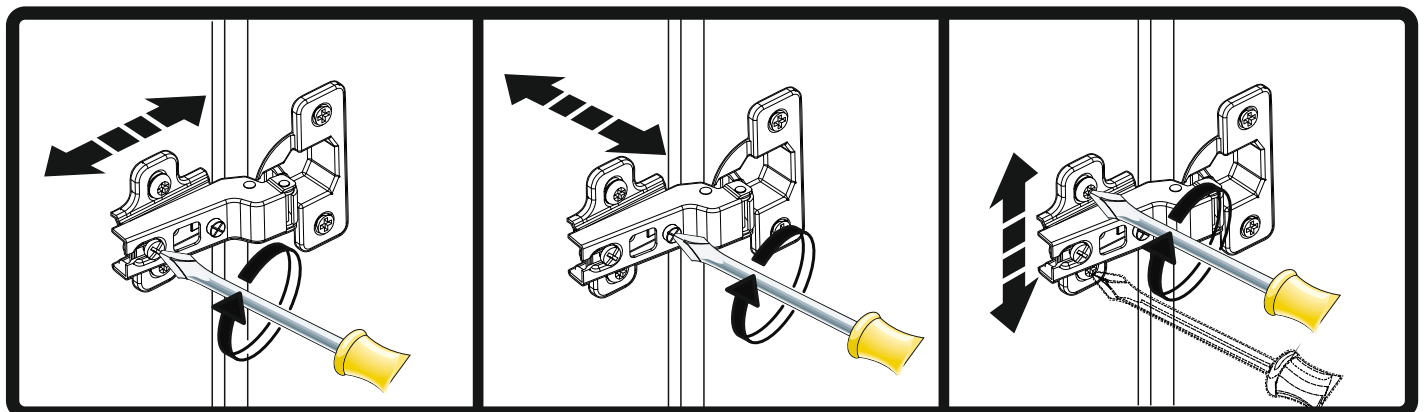
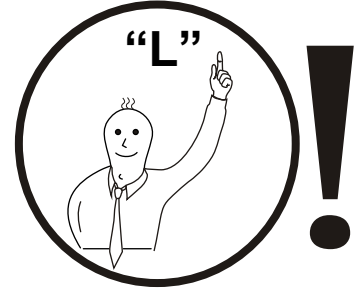
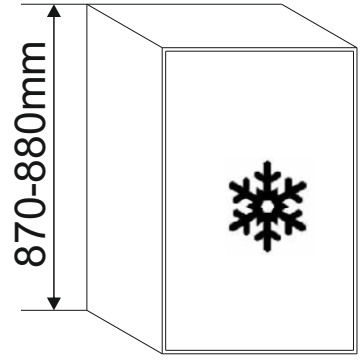
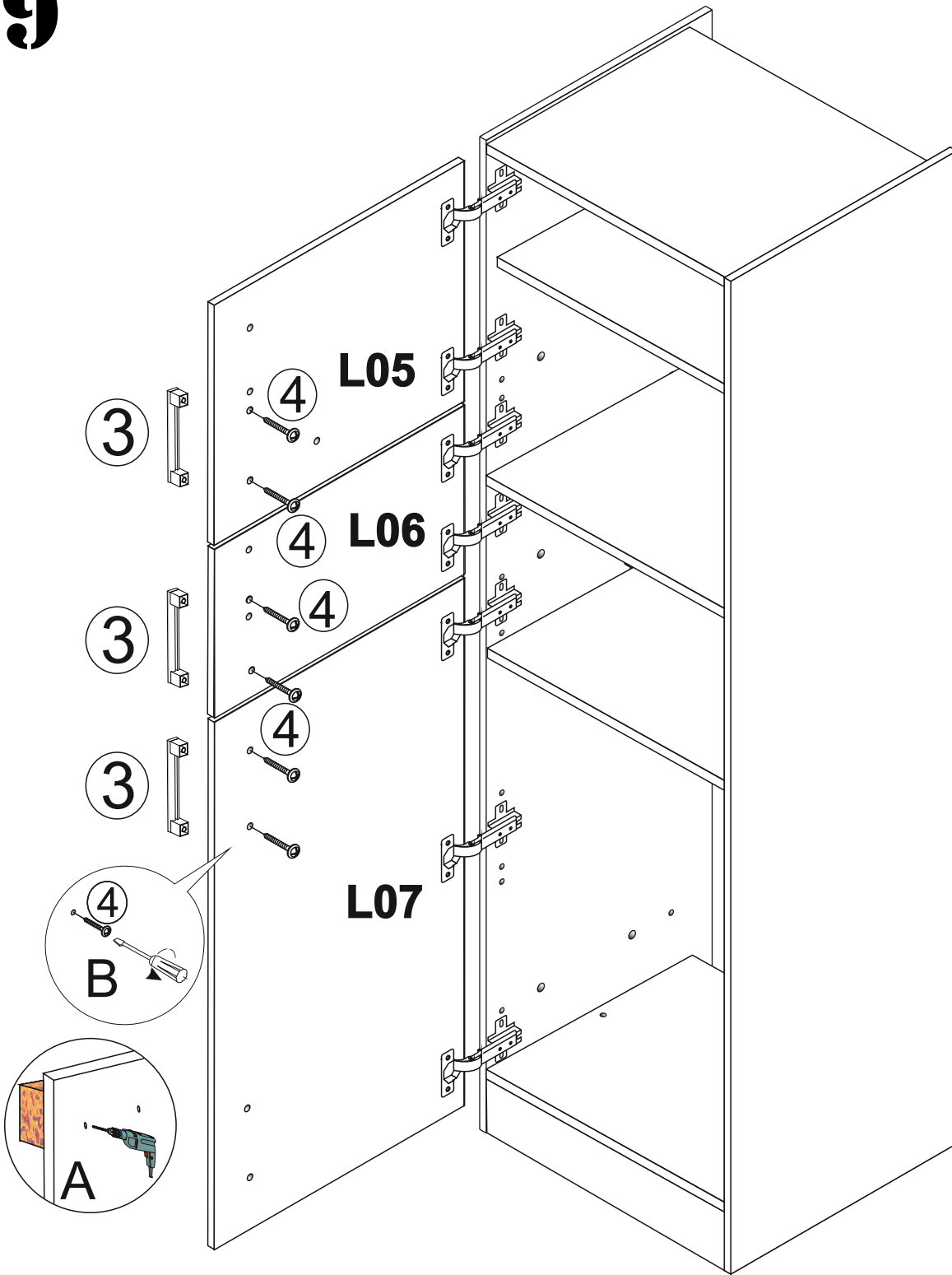
**L04**

**L08**



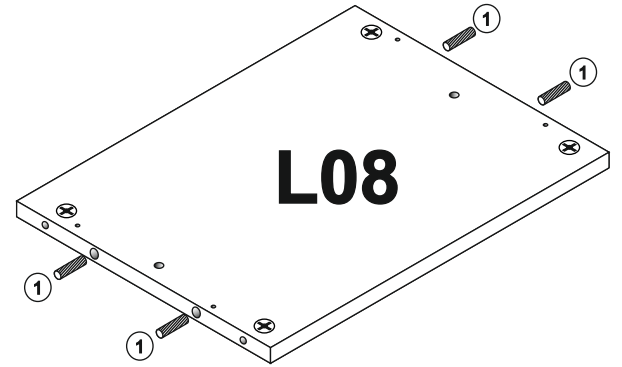
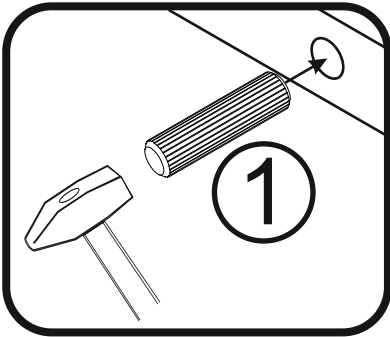
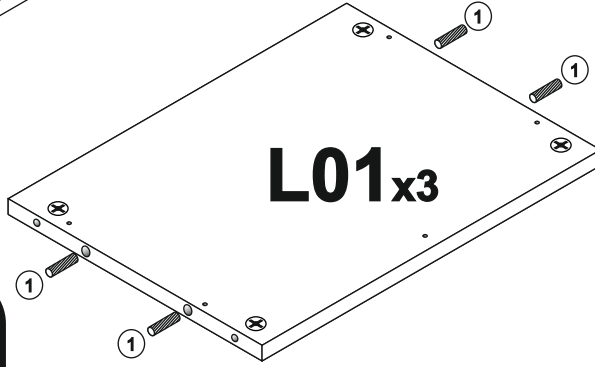
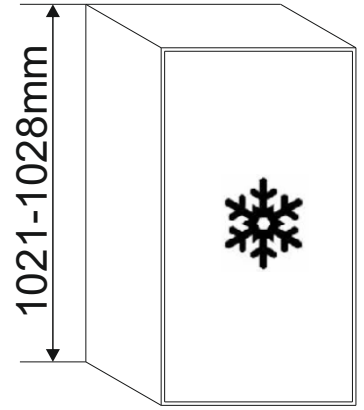
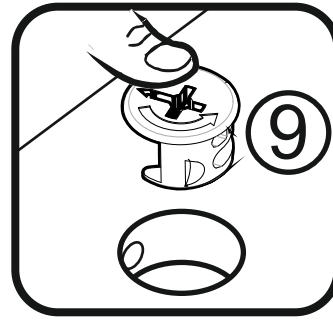
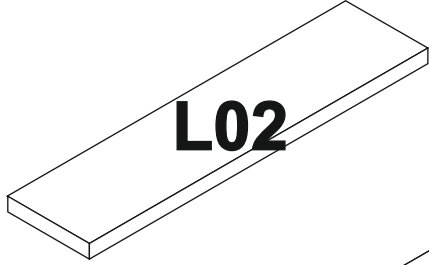
**L10 567x500mm**



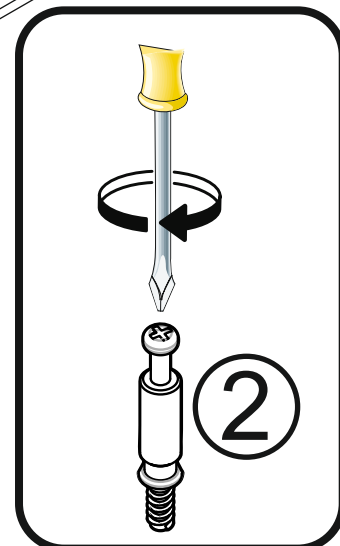
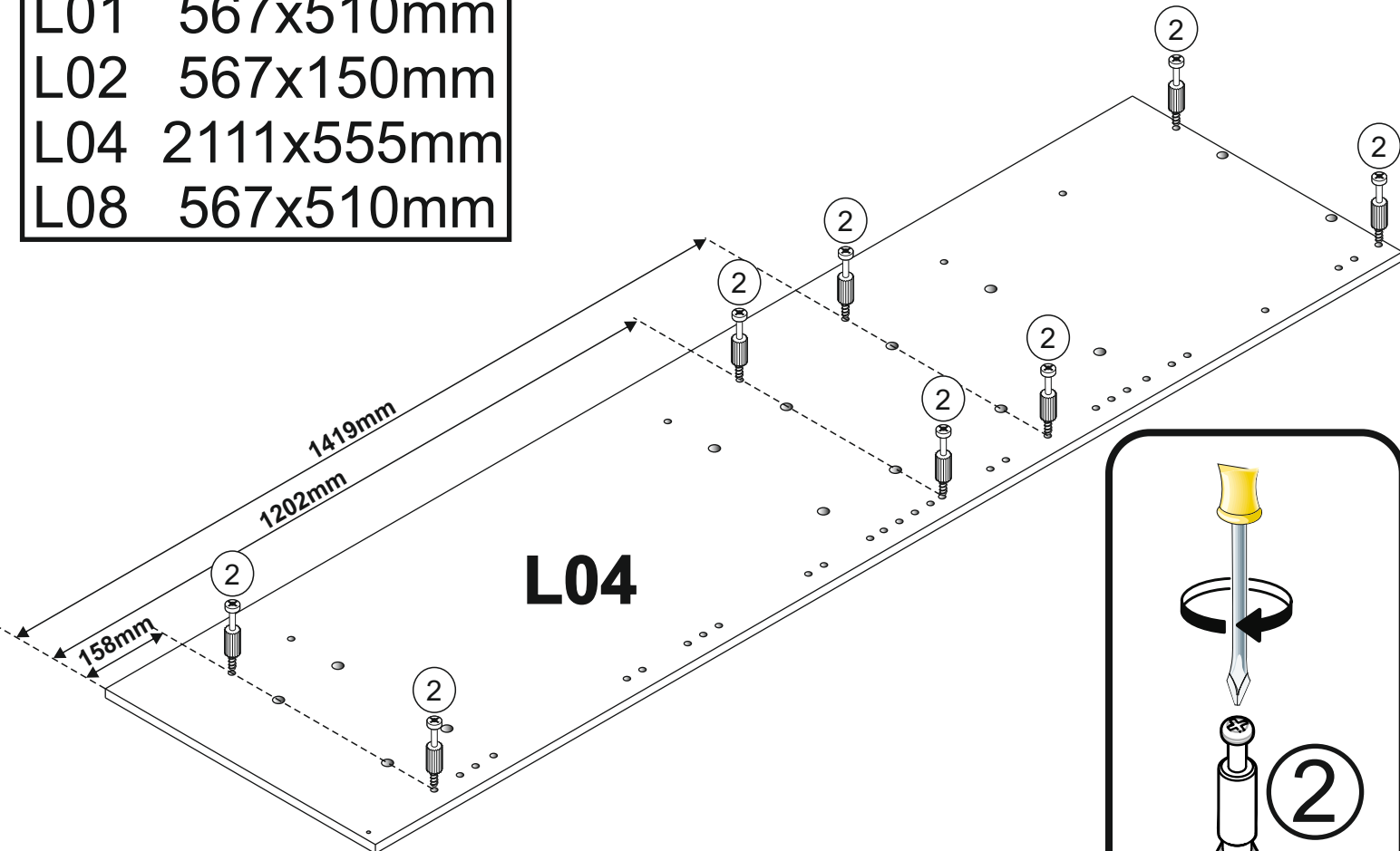


# 1

## OPTION 2

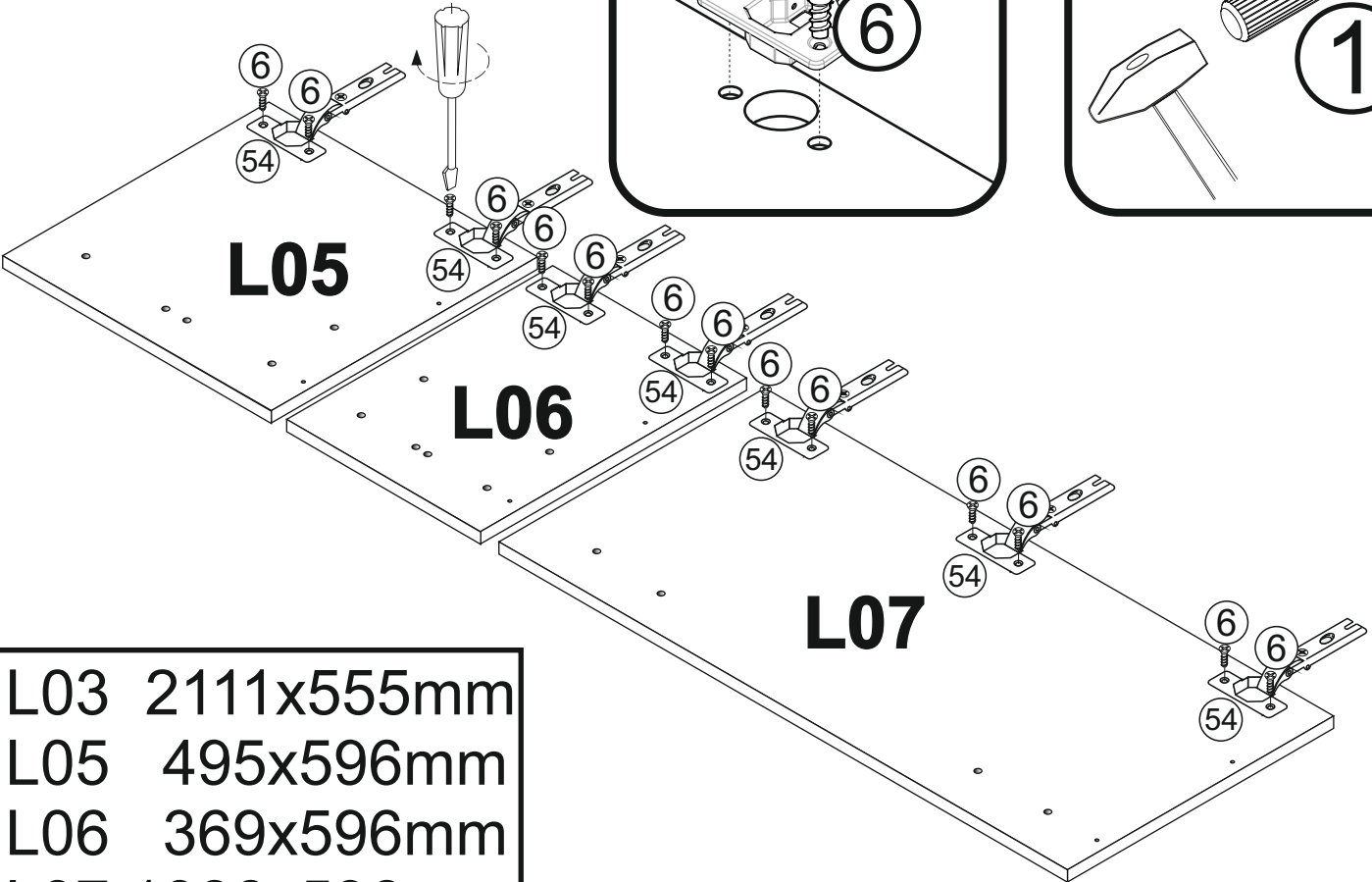
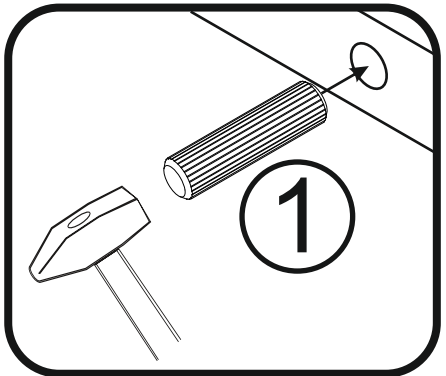
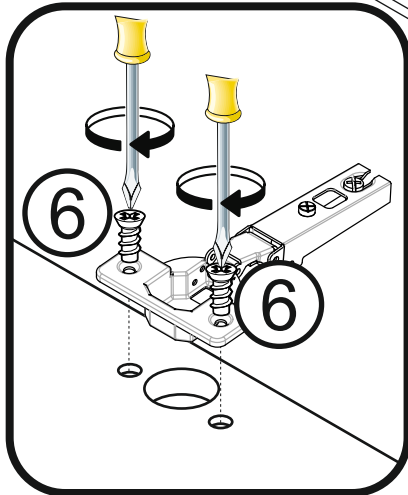
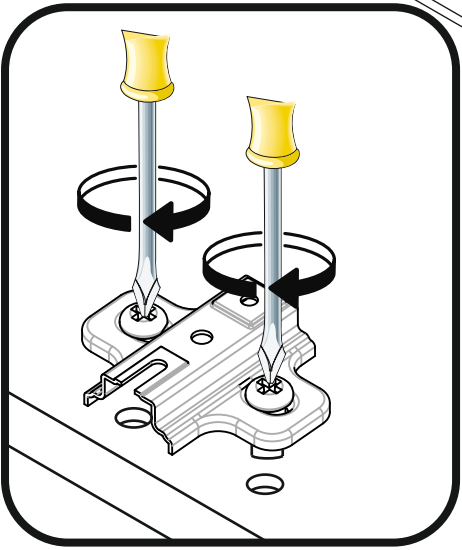
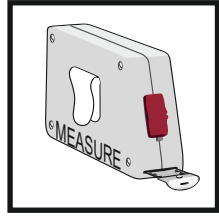
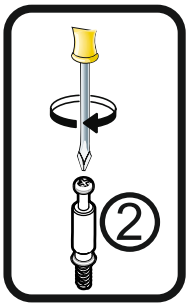
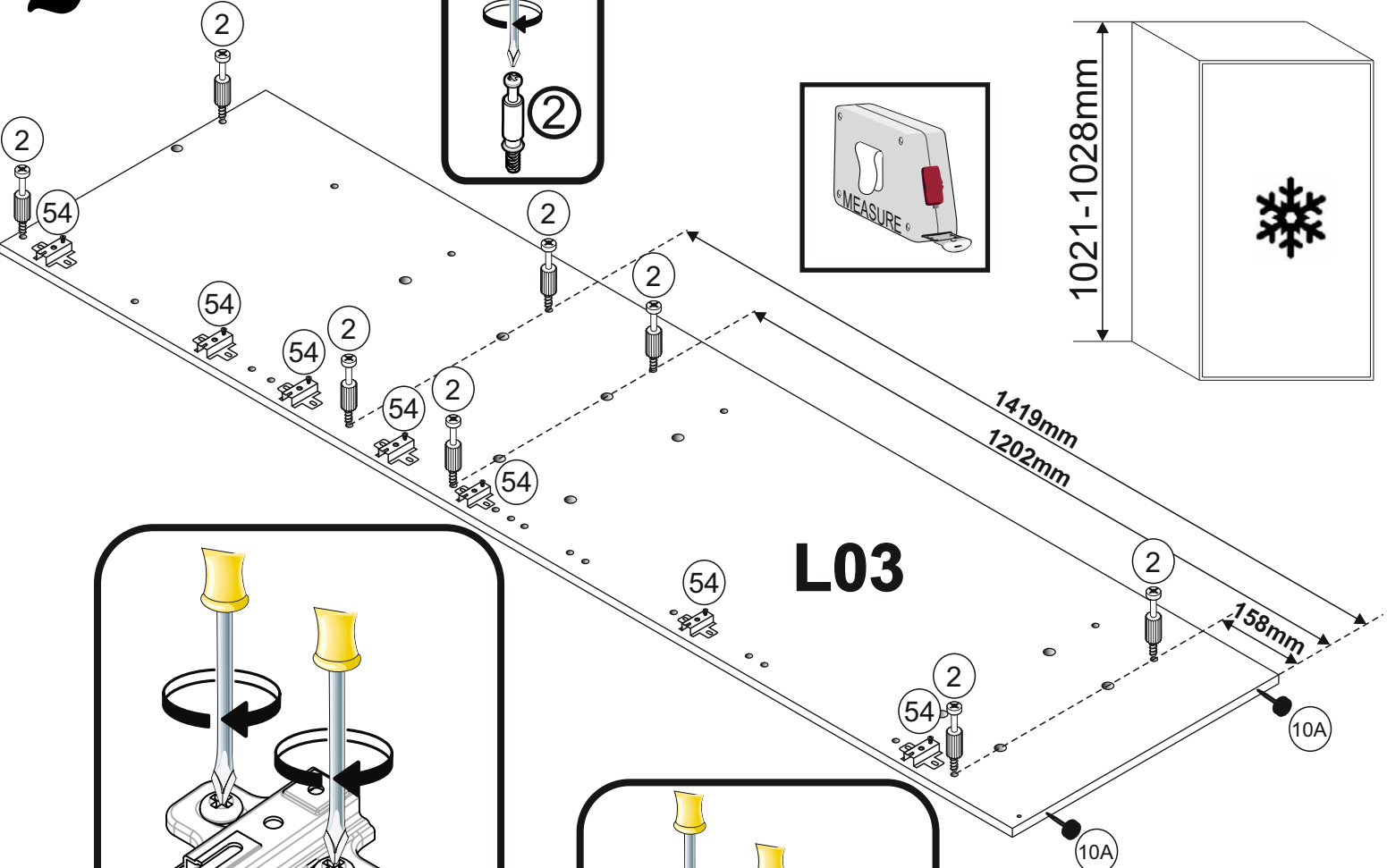
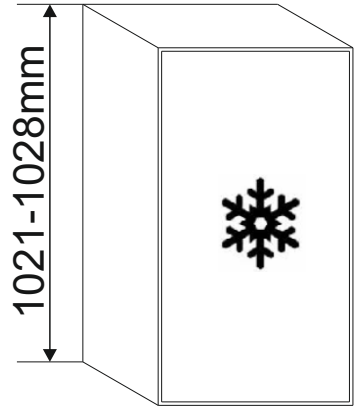


L01	567x510mm
L02	567x150mm
L04	2111x555mm
L08	567x510mm



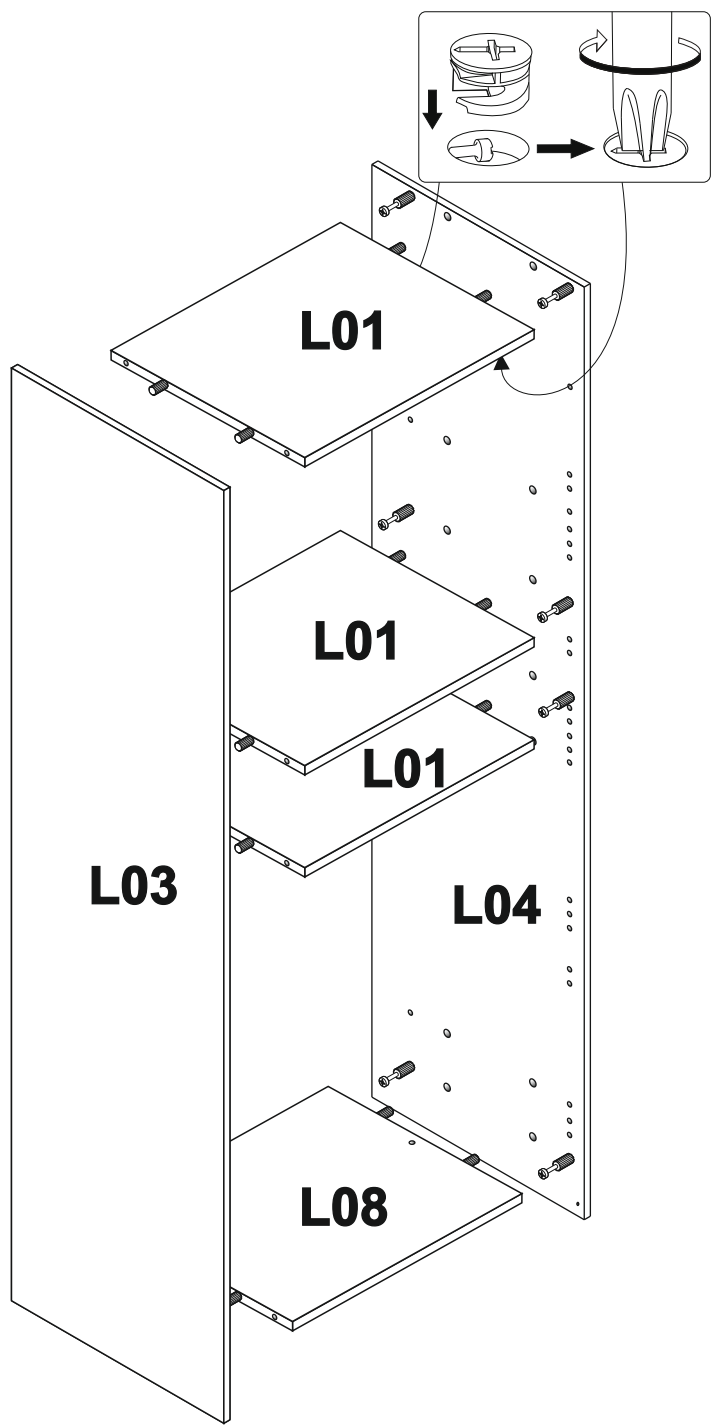
# 2

## OPTION 2

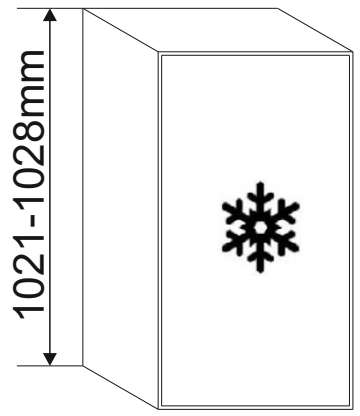


L03	2111x555mm
L05	495x596mm
L06	369x596mm
L07	1086x596mm

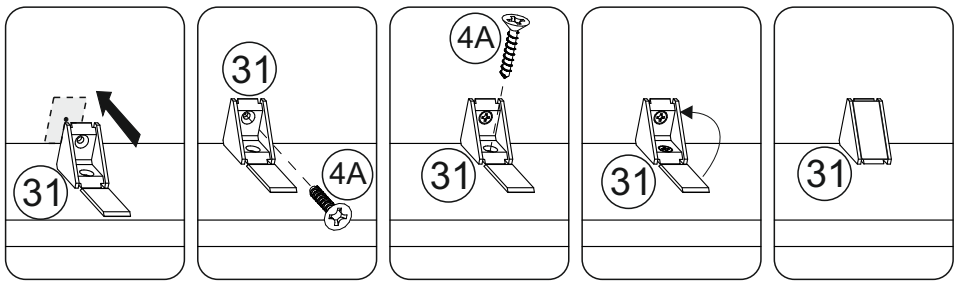
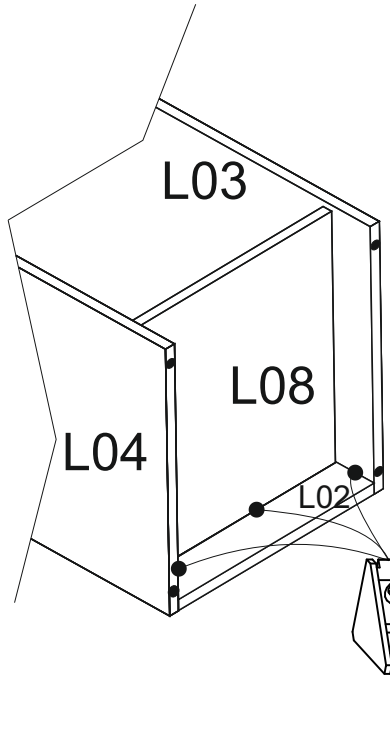
# 3



## OPTION 2



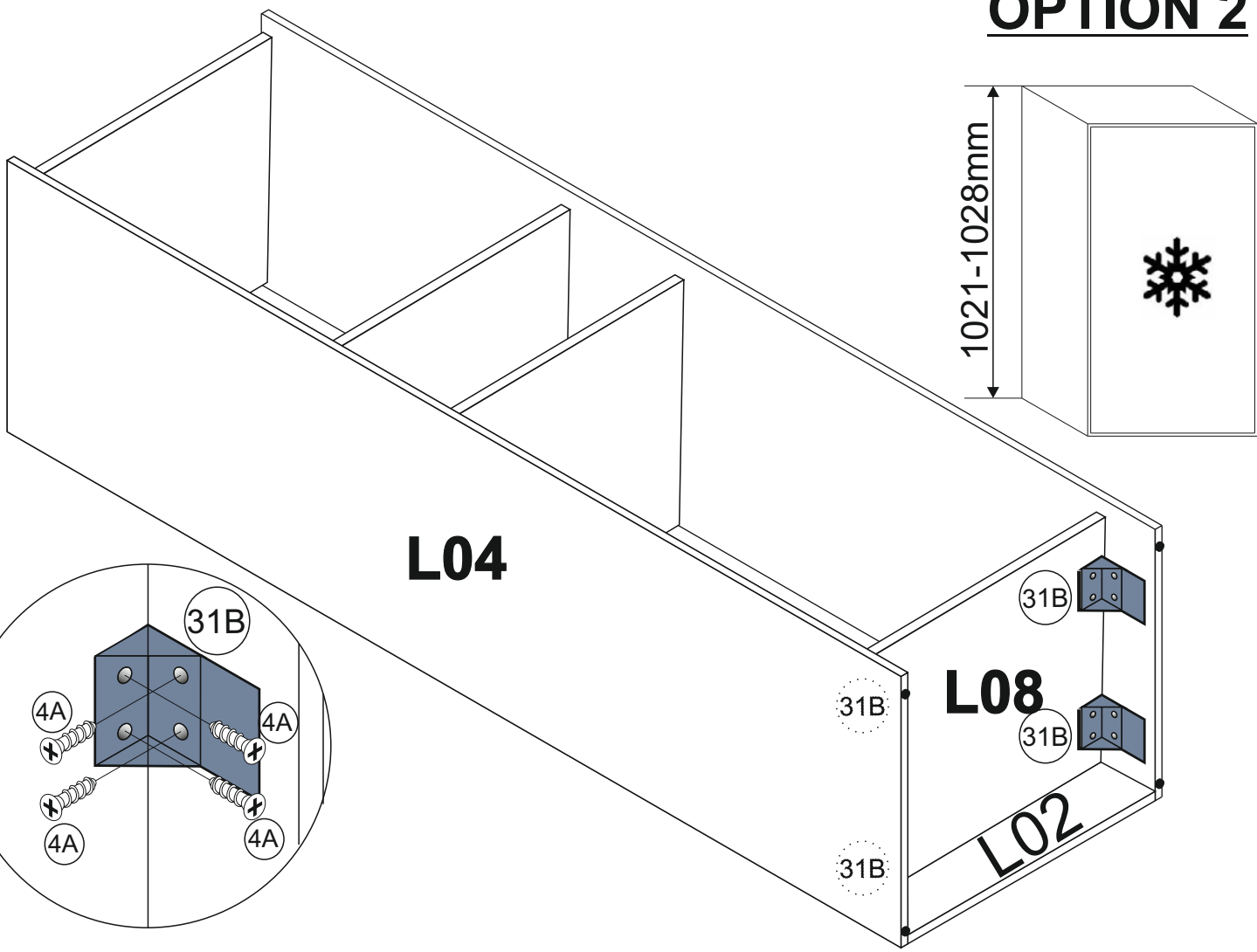
# 4



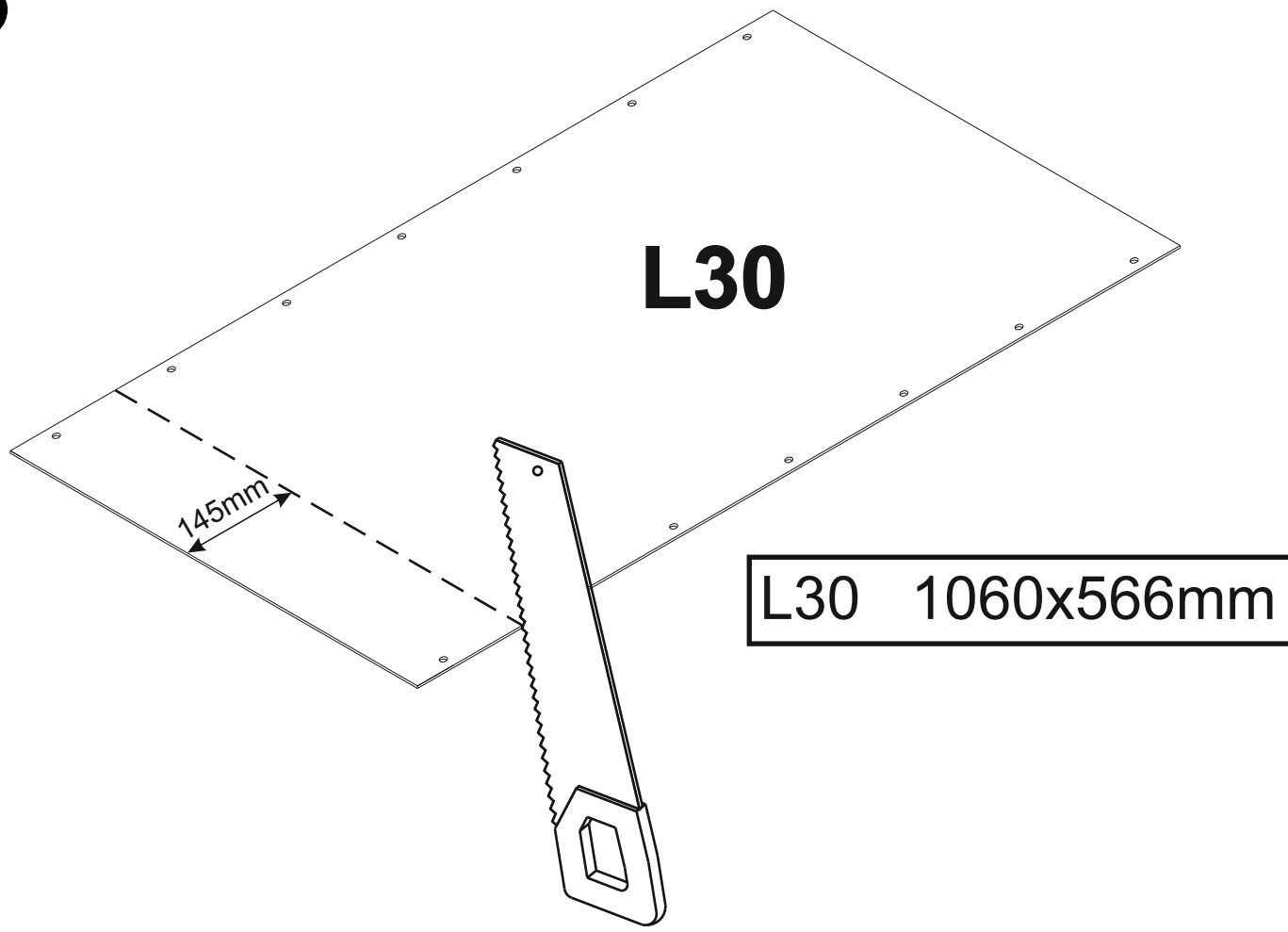
**31** x3

5

**OPTION 2**

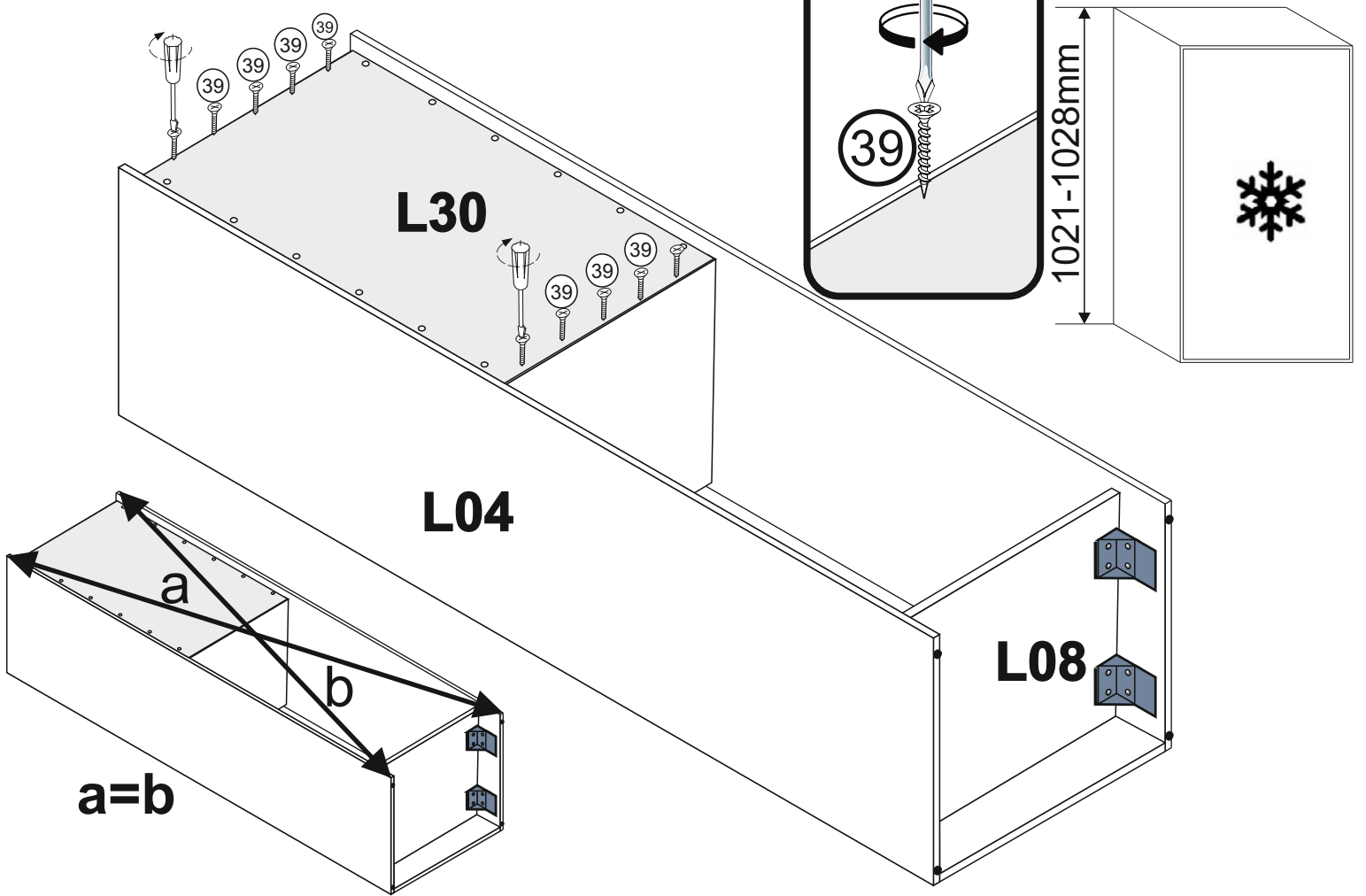


6

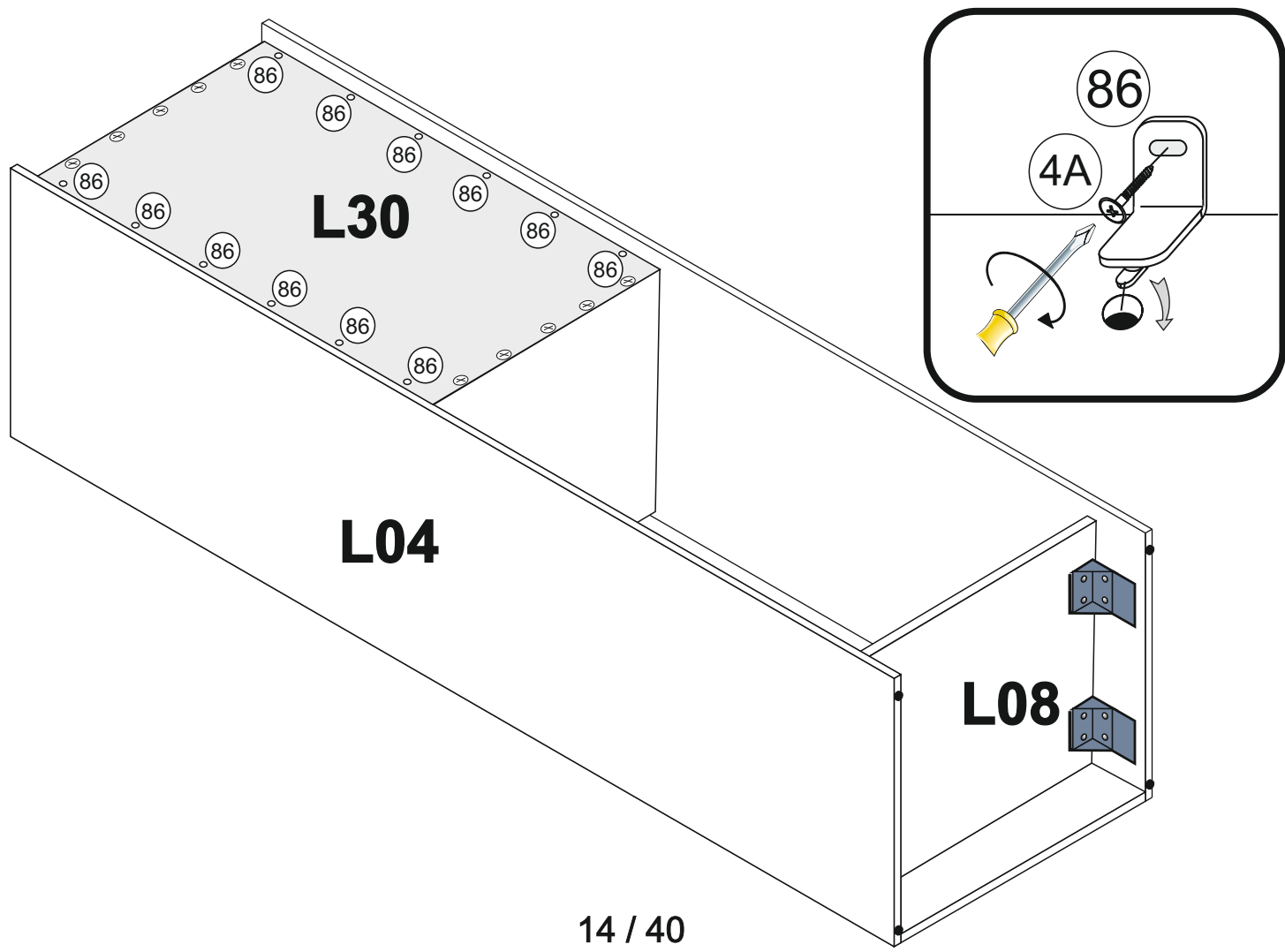


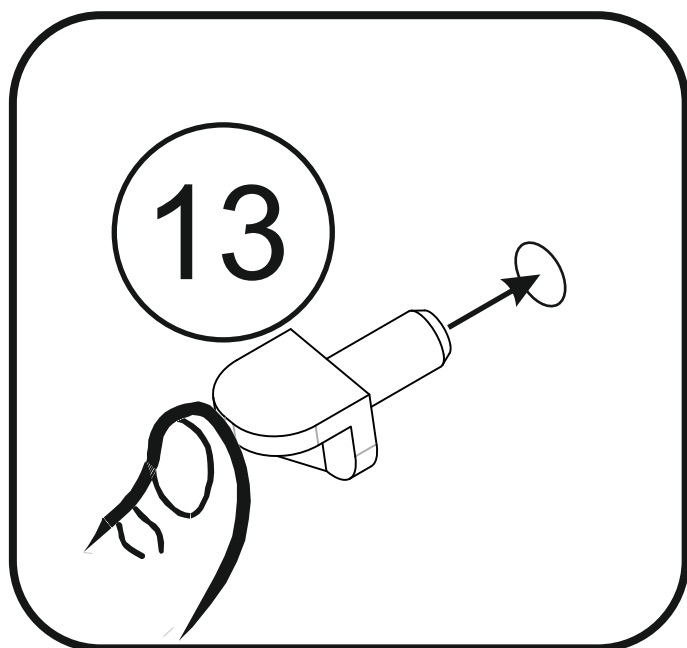
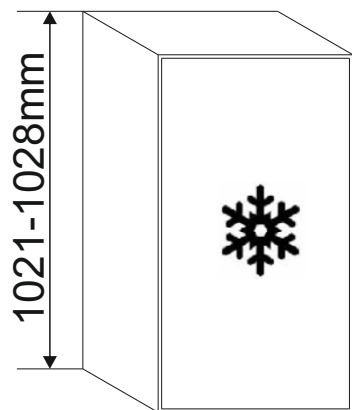
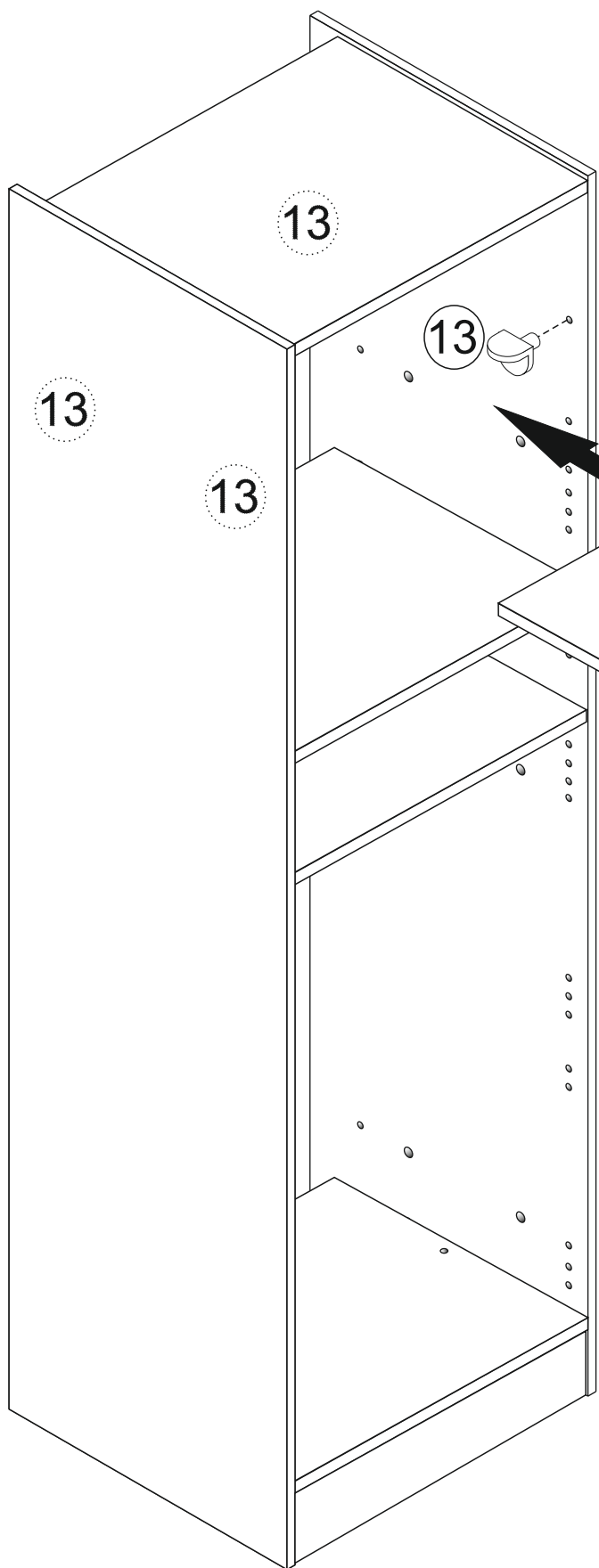
7

**OPTION 2**

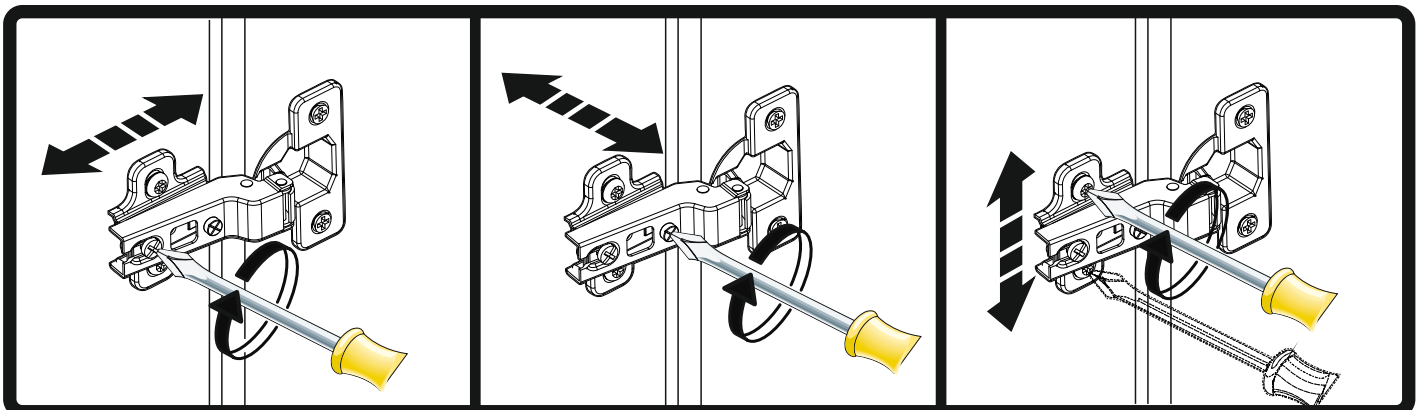
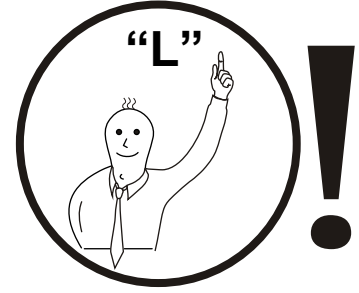
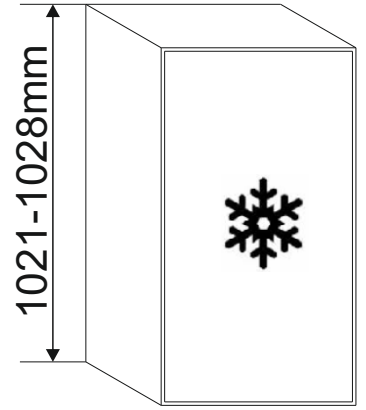
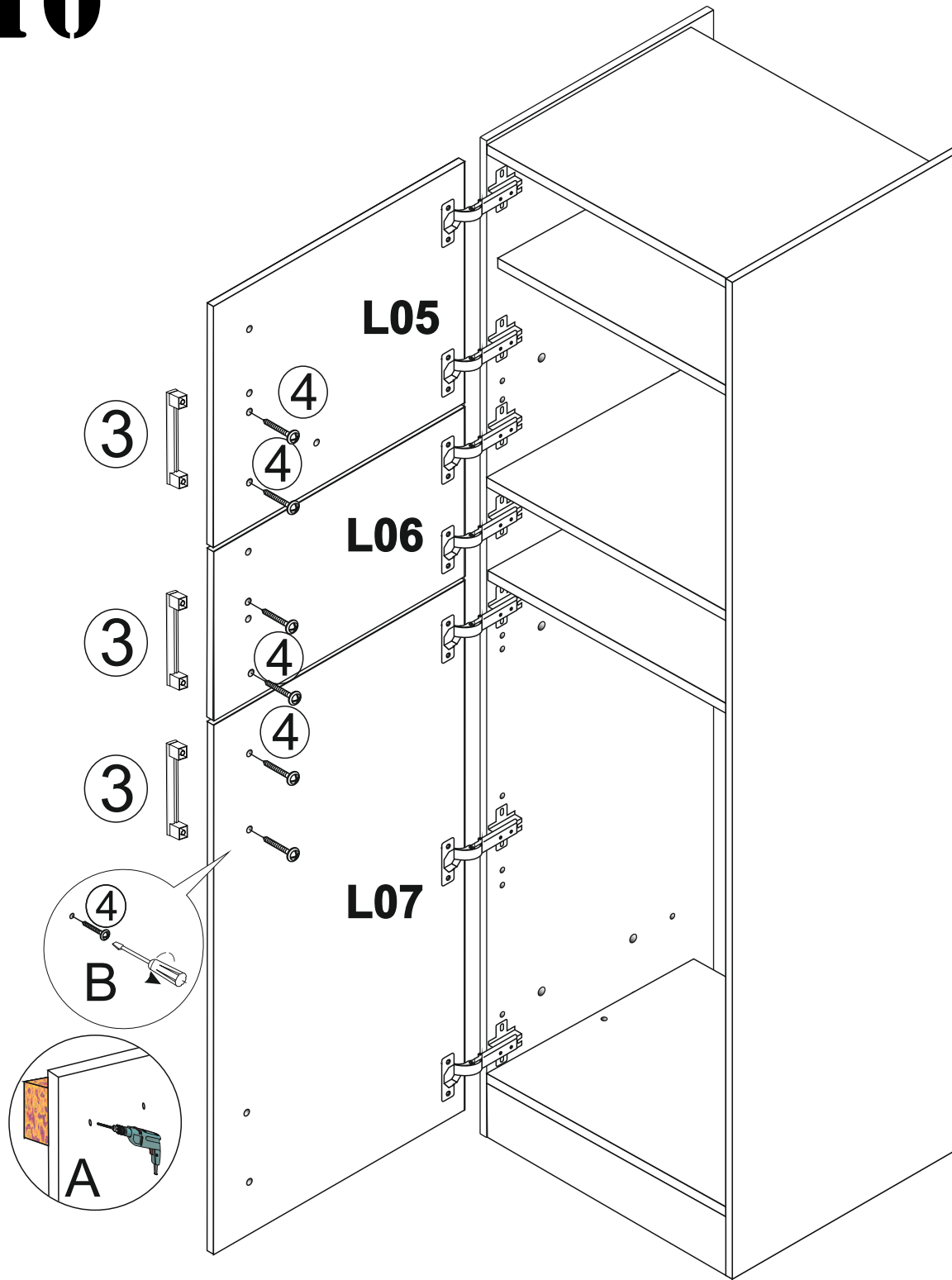


8





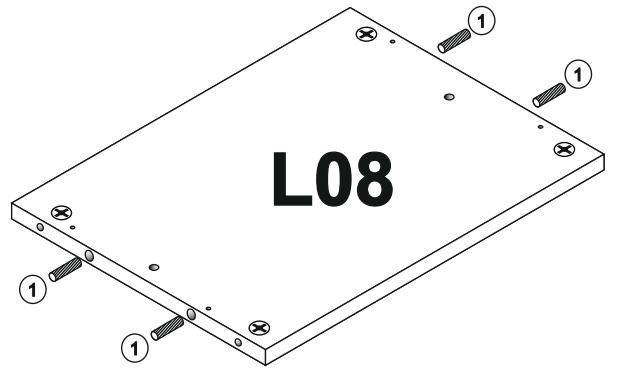
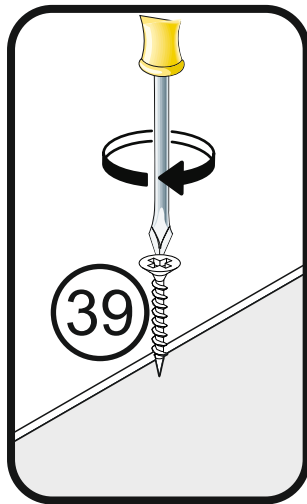
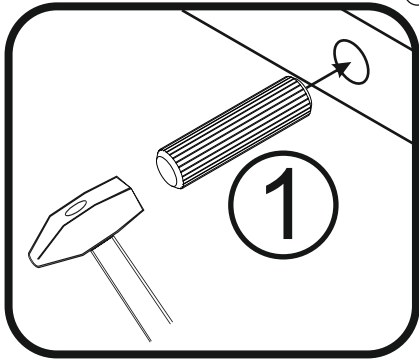
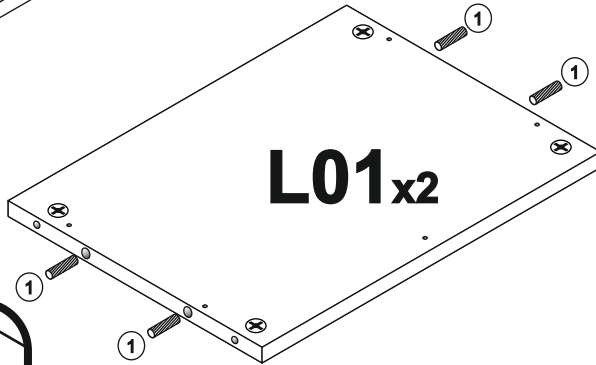
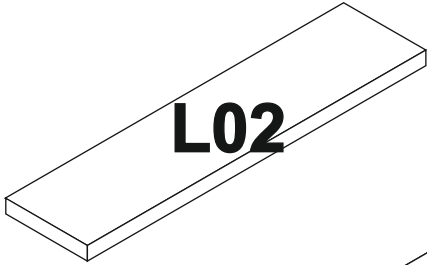
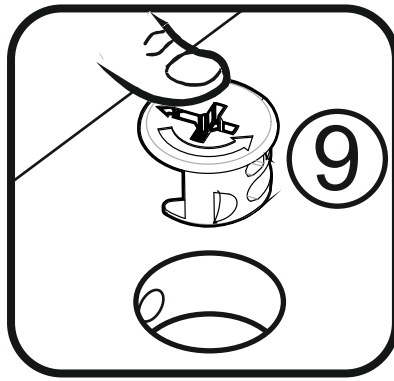
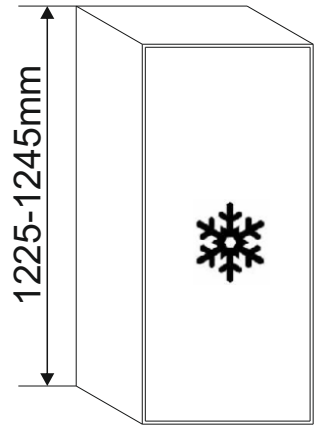
**L10 567x500mm**



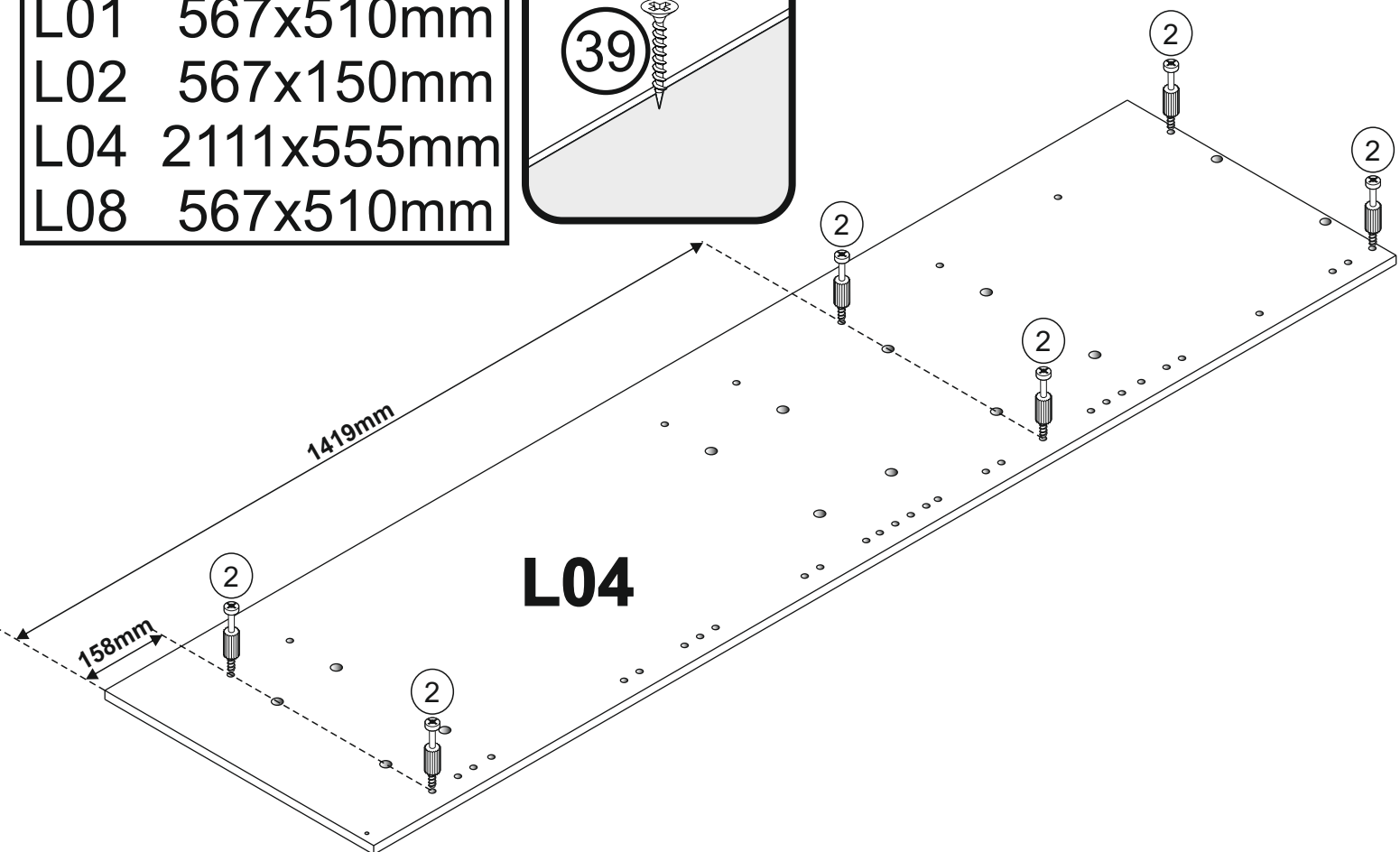


# 1

## OPTION 3

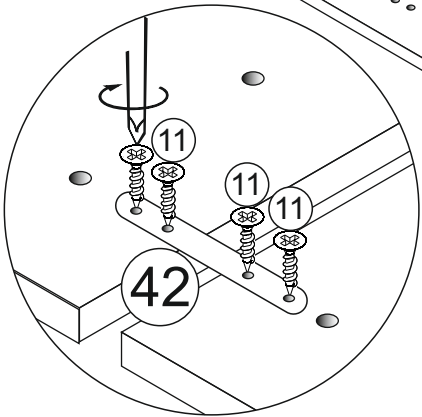
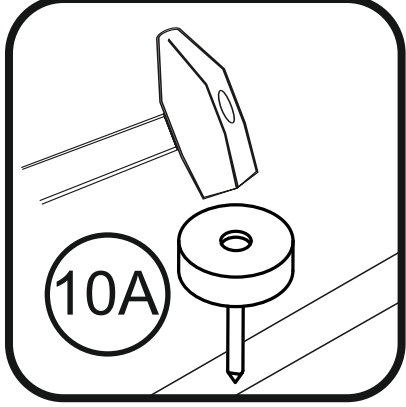
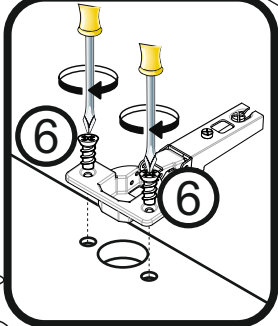
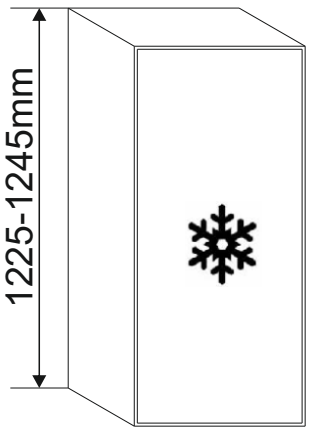
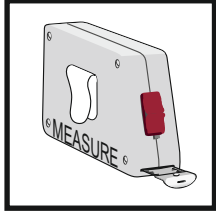
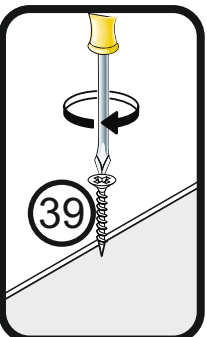
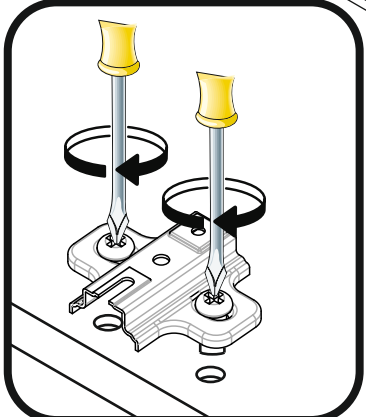
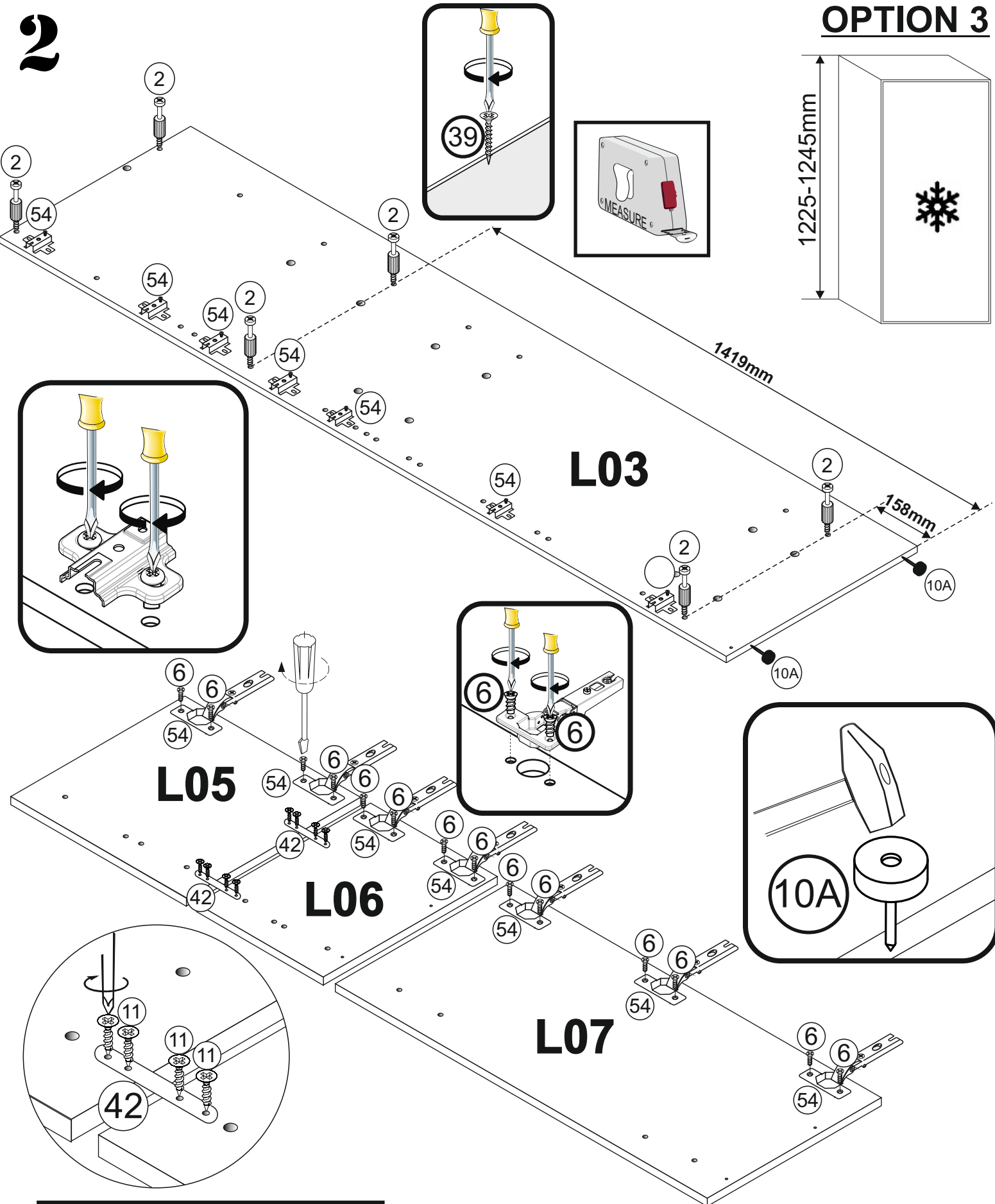


L01	567x510mm
L02	567x150mm
L04	2111x555mm
L08	567x510mm



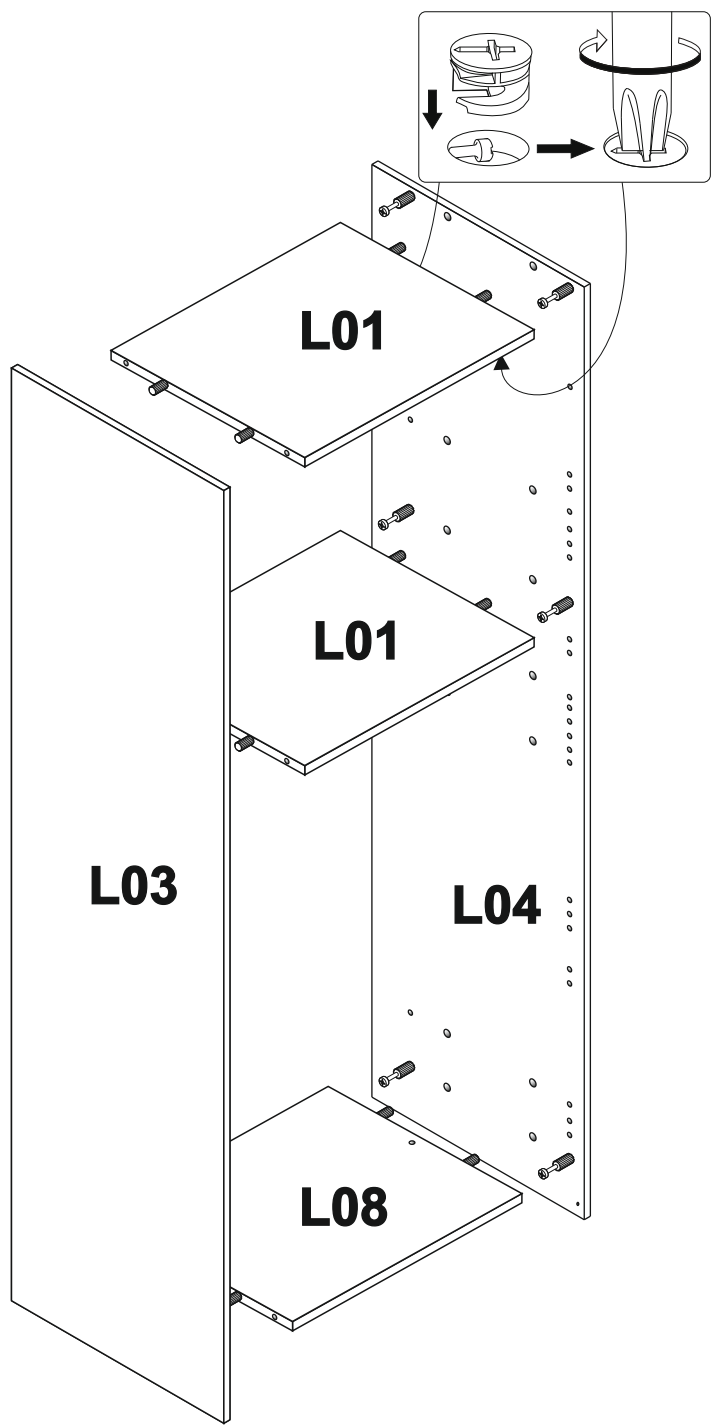
# 2

## OPTION 3

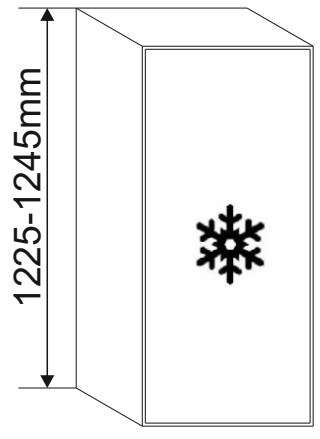


L03	2111x555mm
L05	495x596mm
L06	369x596mm
L07	1086x596mm

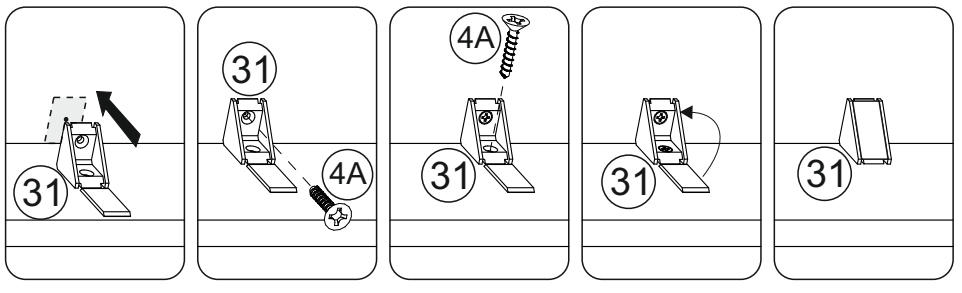
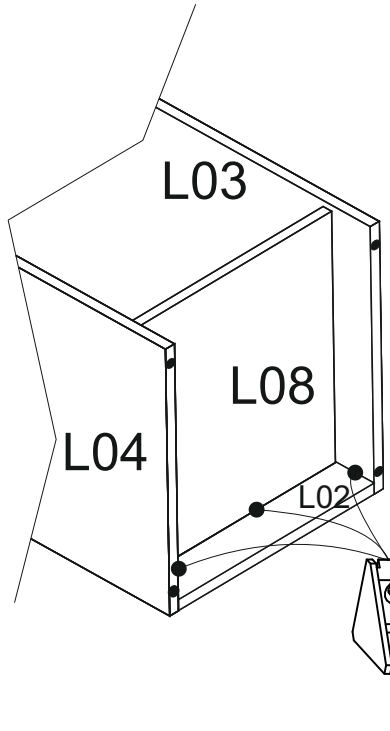
# 3



## OPTION 3



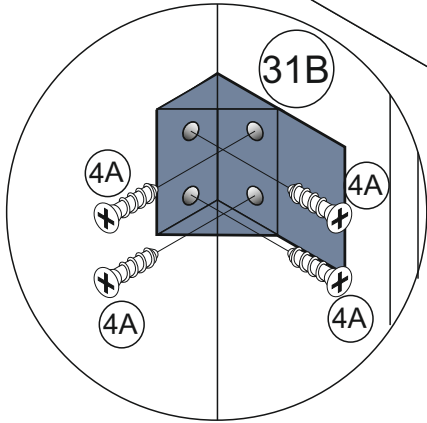
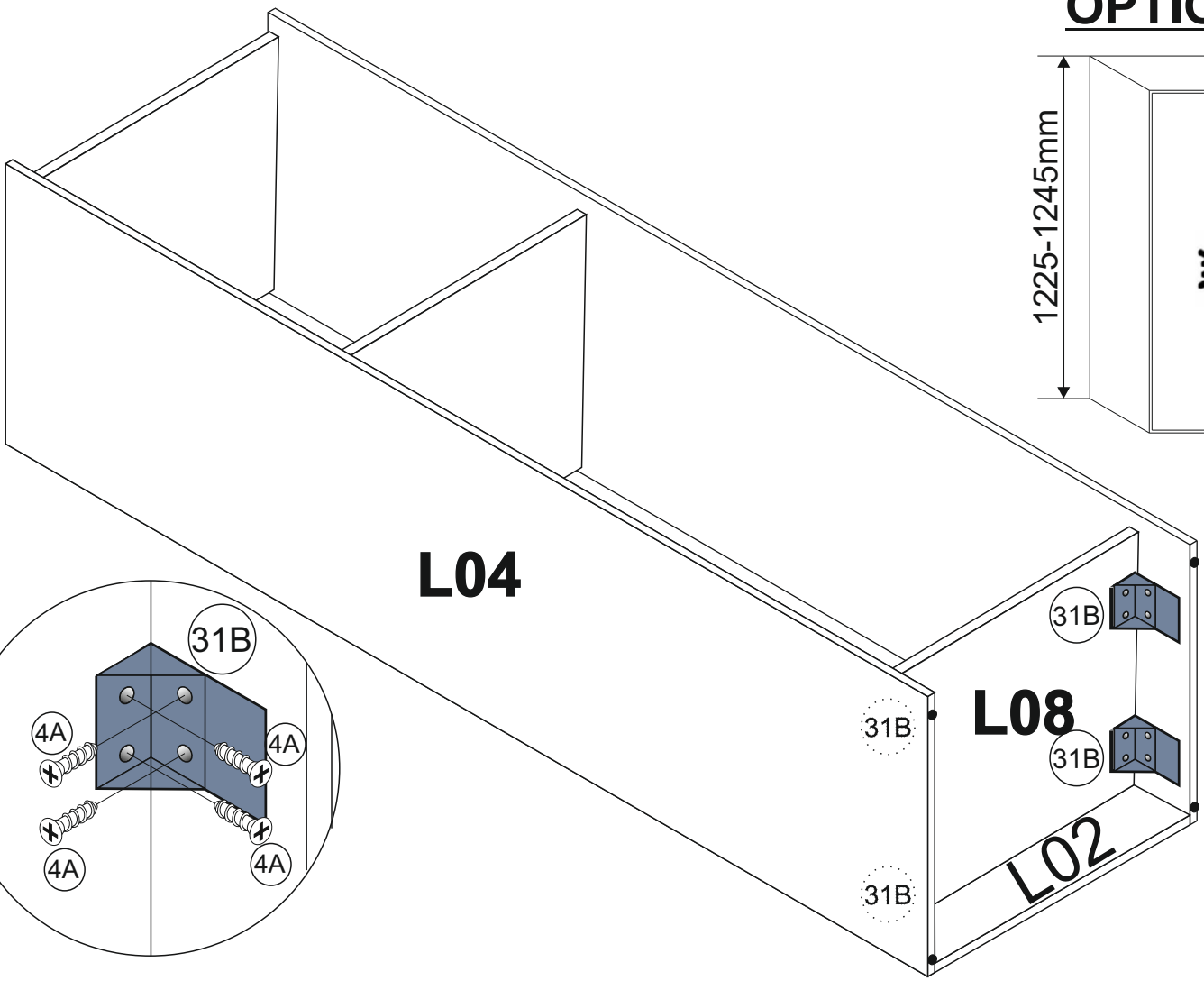
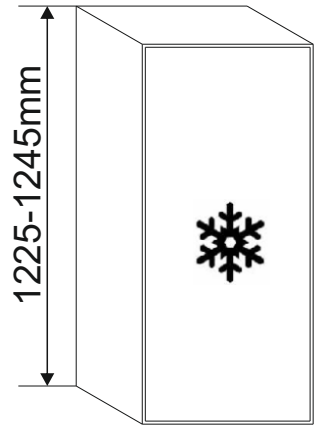
# 4



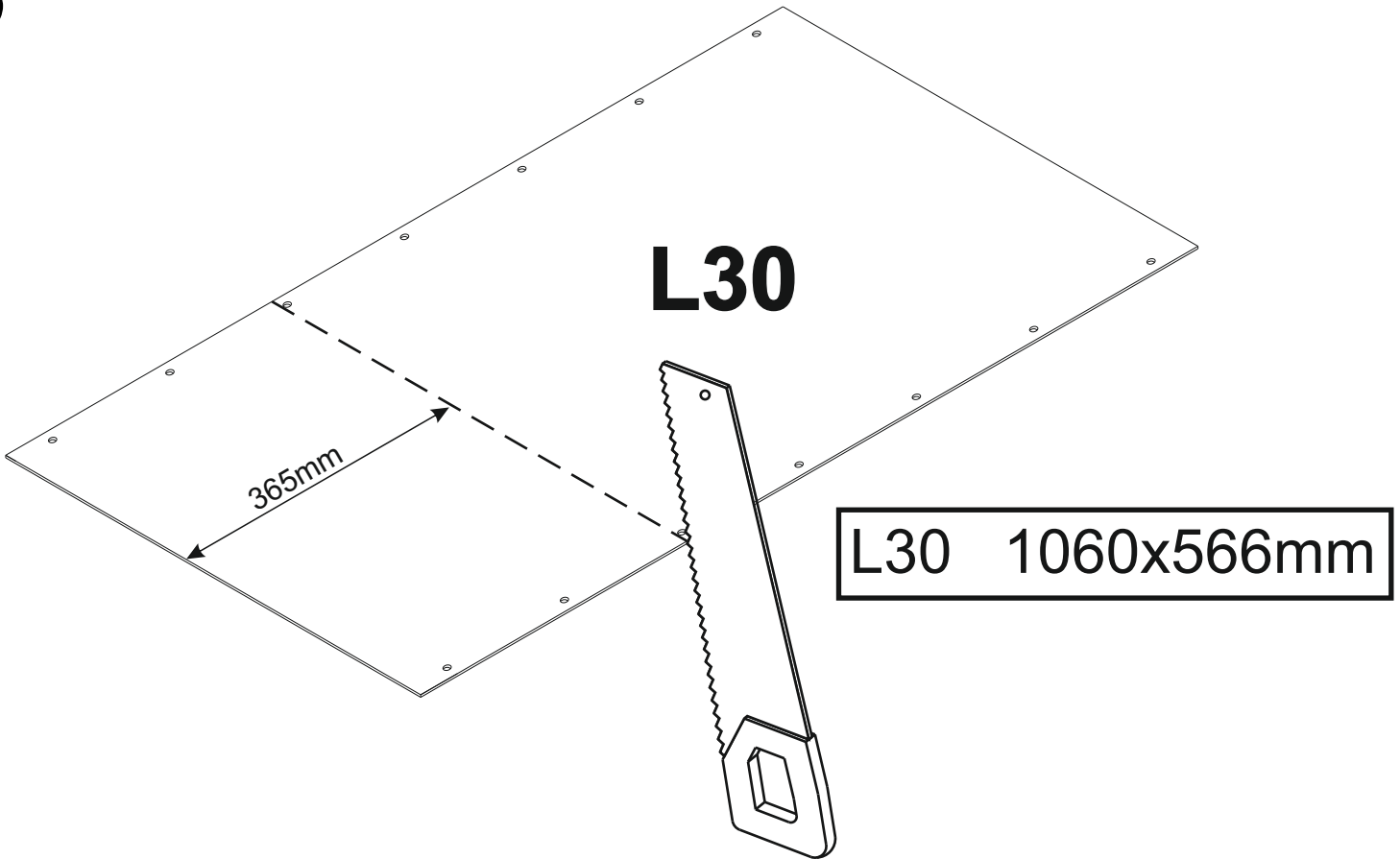
31 x3

**5**

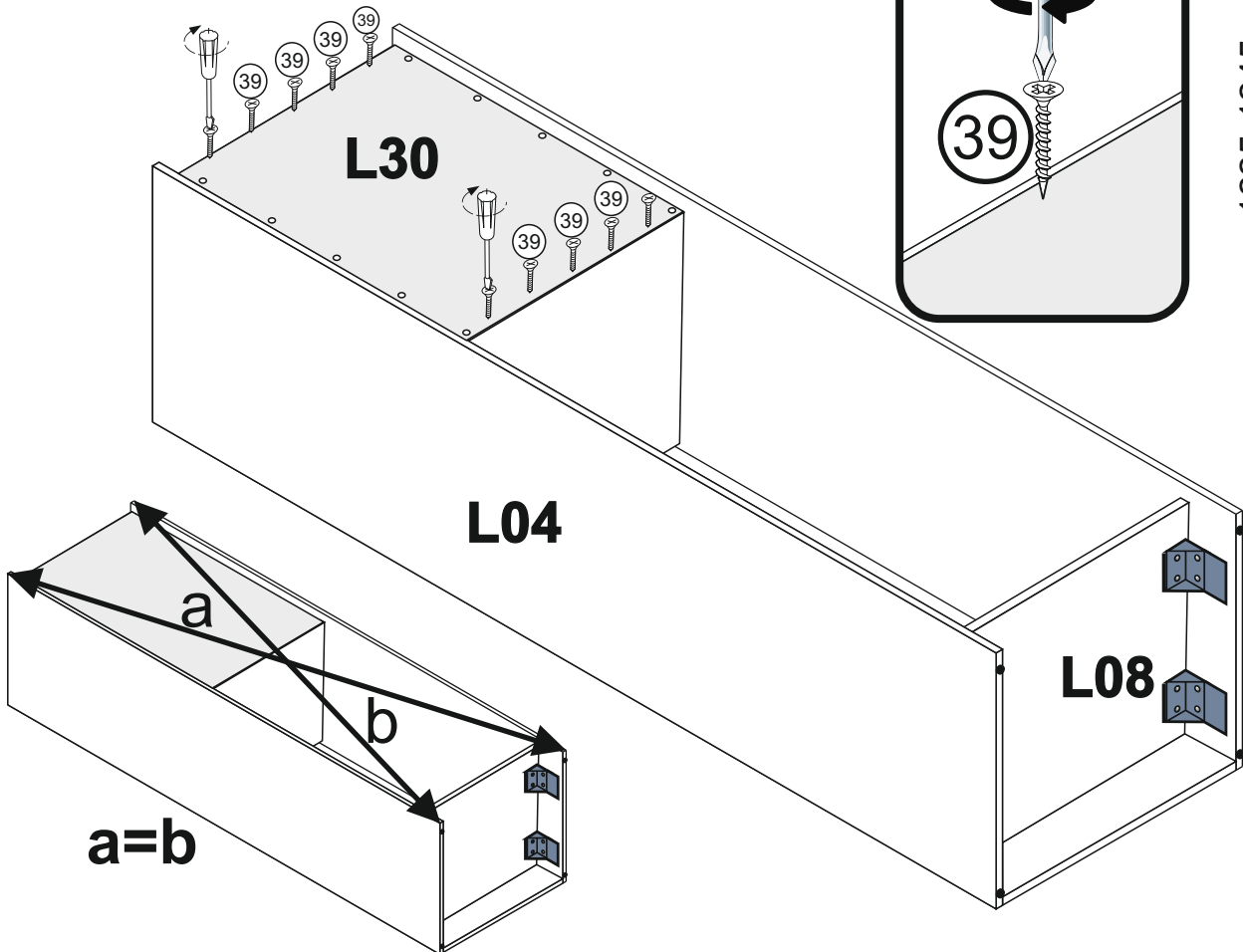
**OPTION 3**



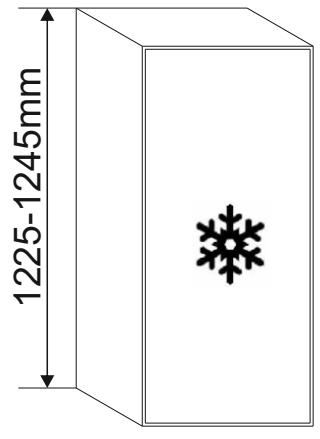
**6**



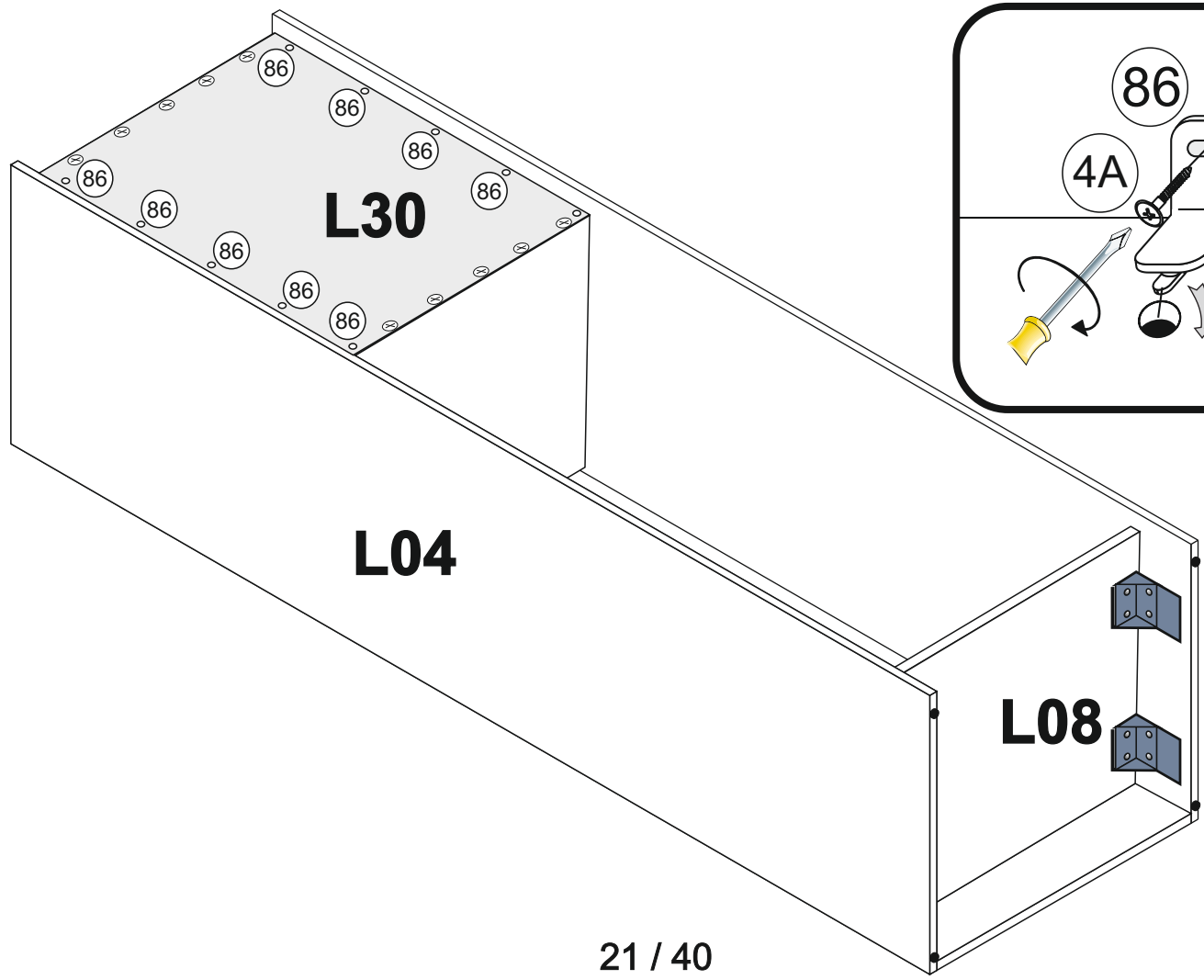
7

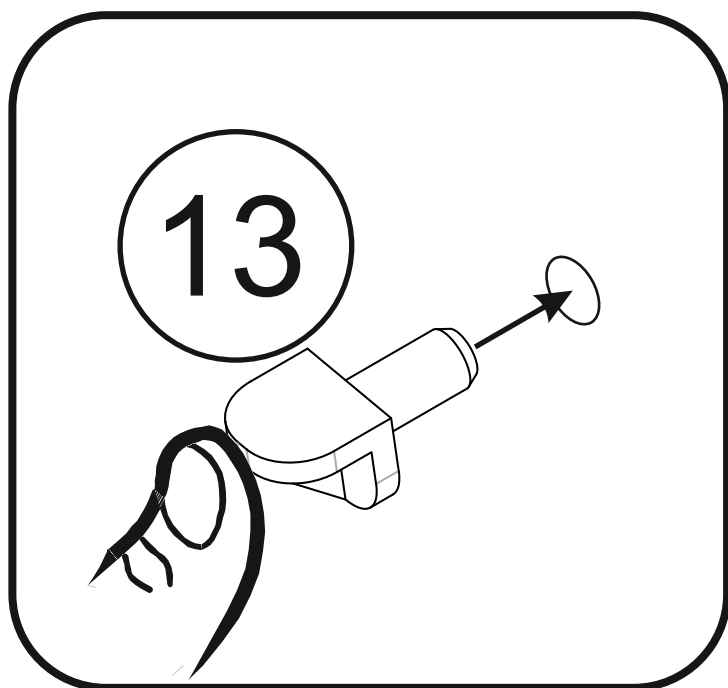
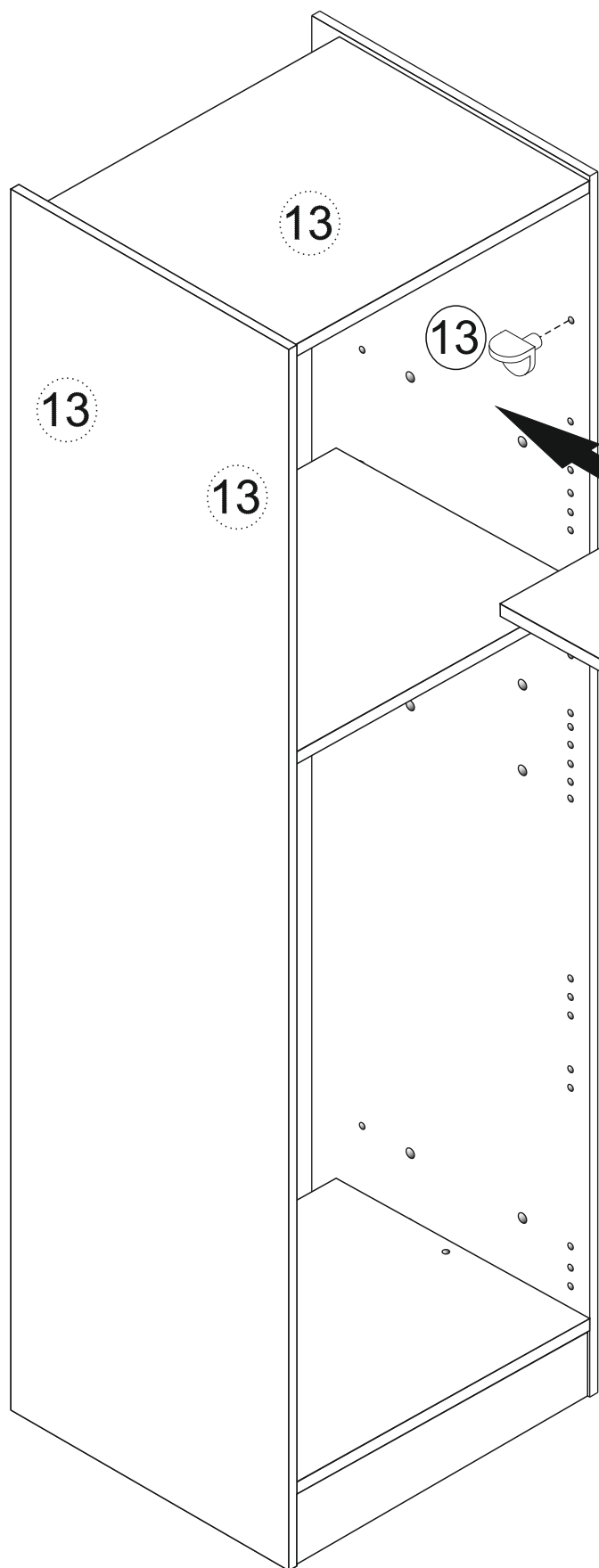
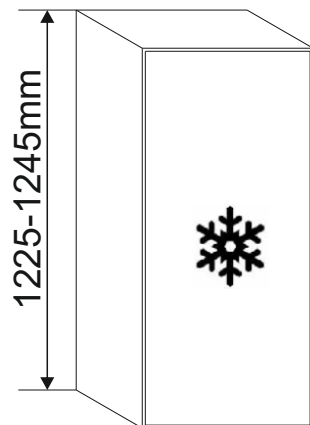


**OPTION 3**

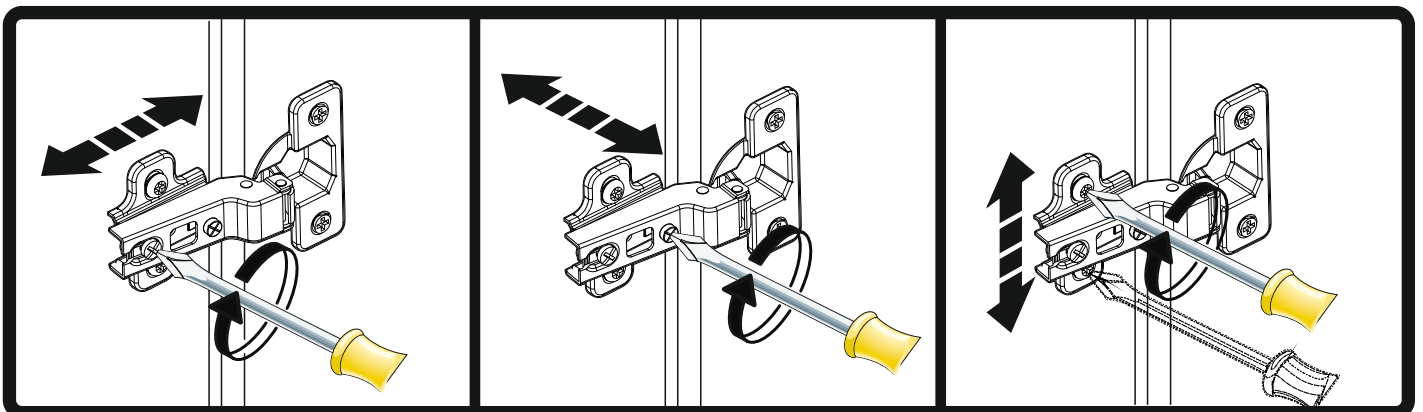
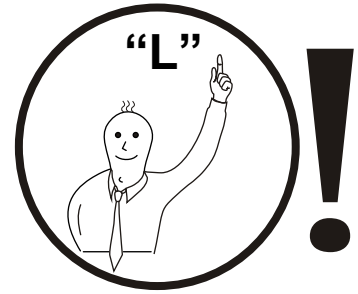
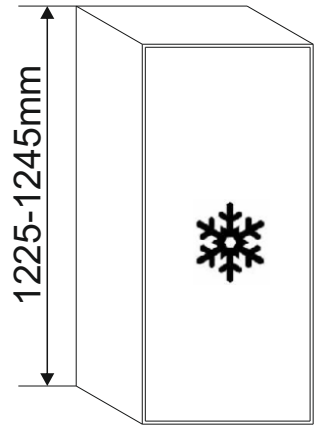
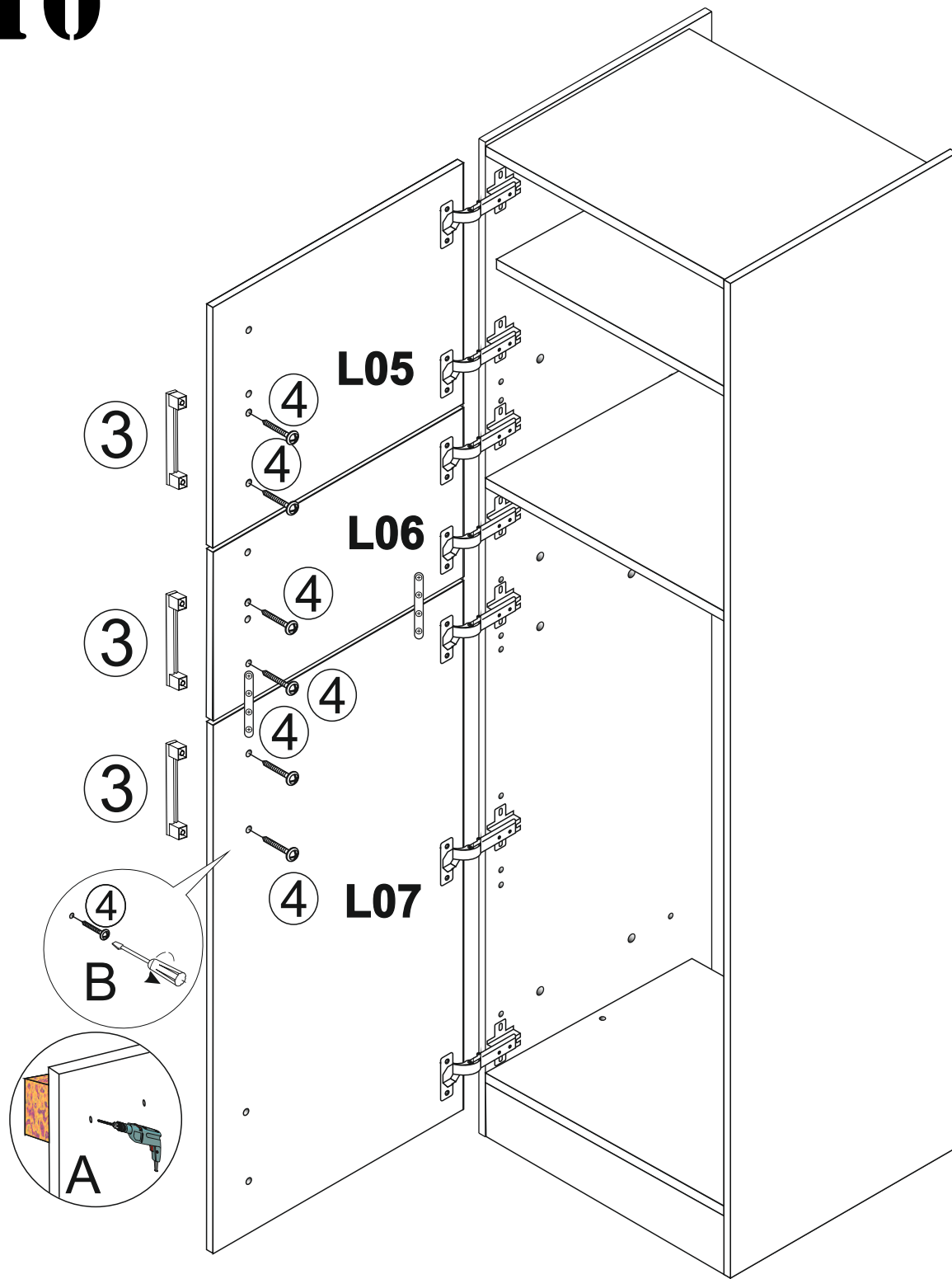


8



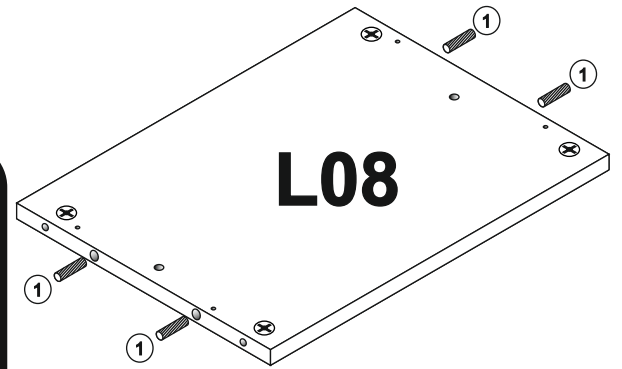
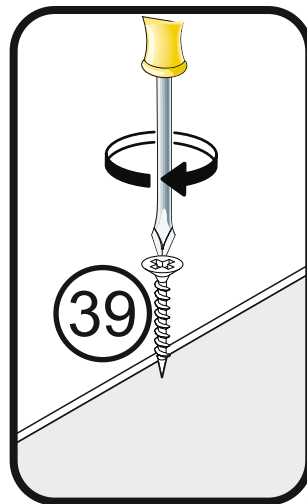
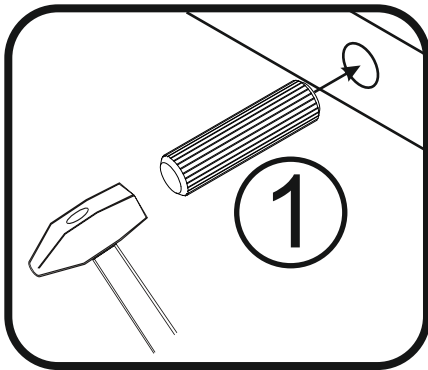
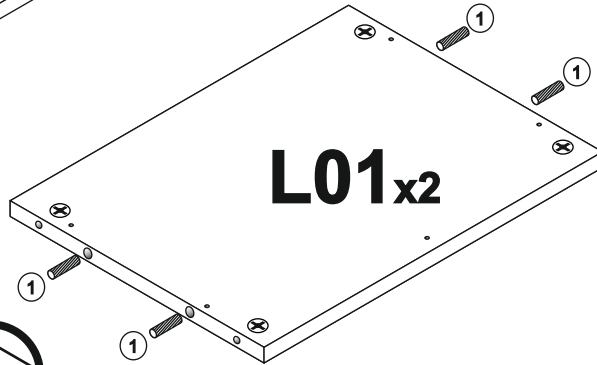
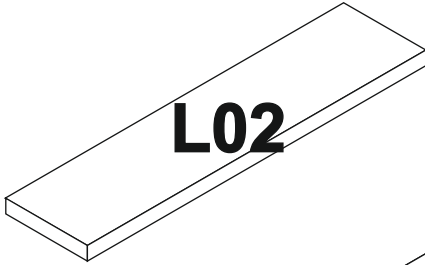
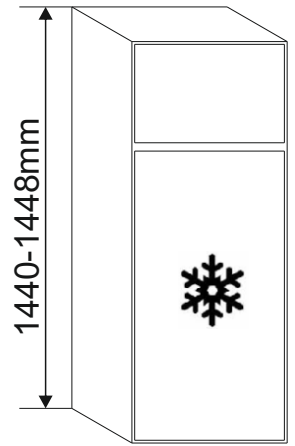
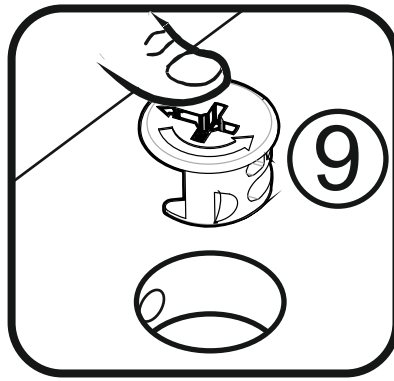


L10 567x500mm

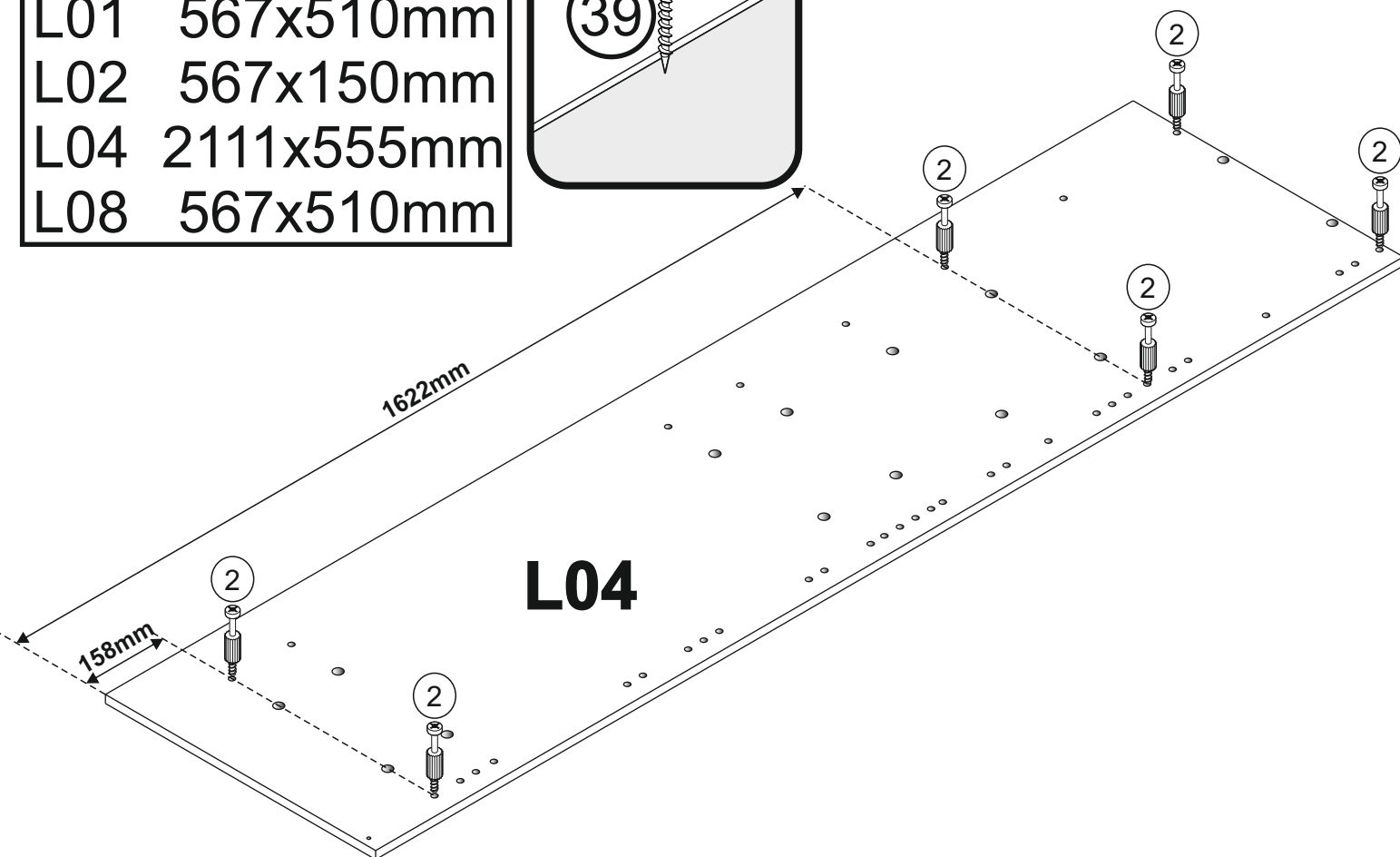


# 1

## OPTION 4



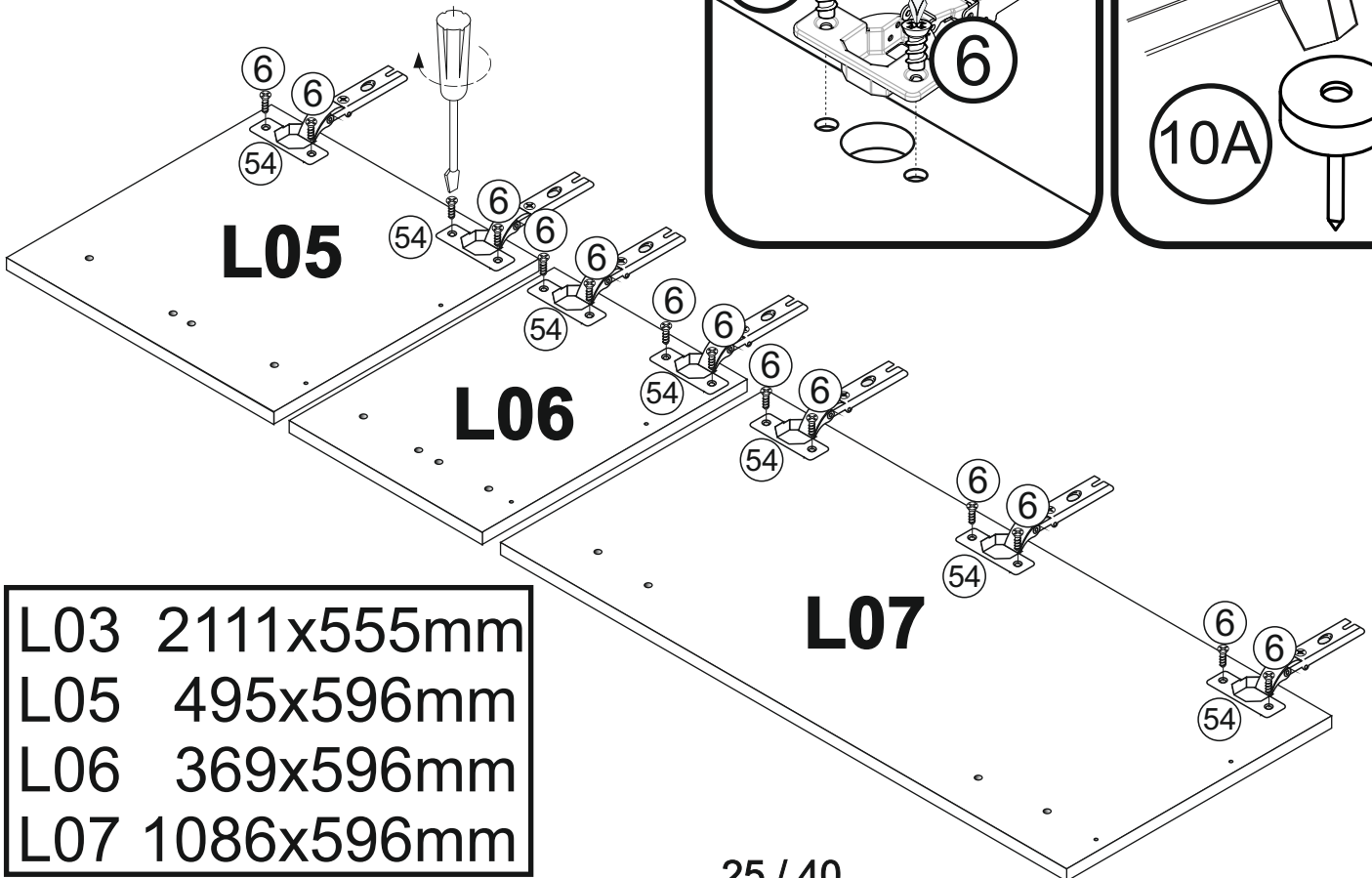
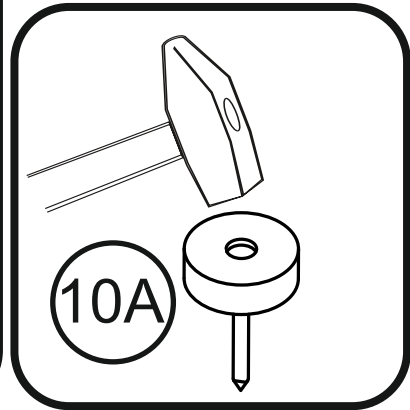
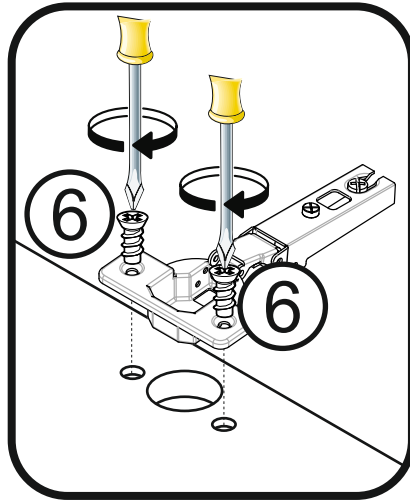
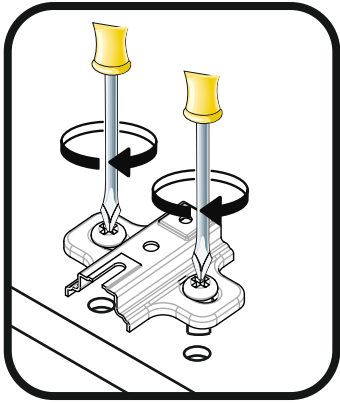
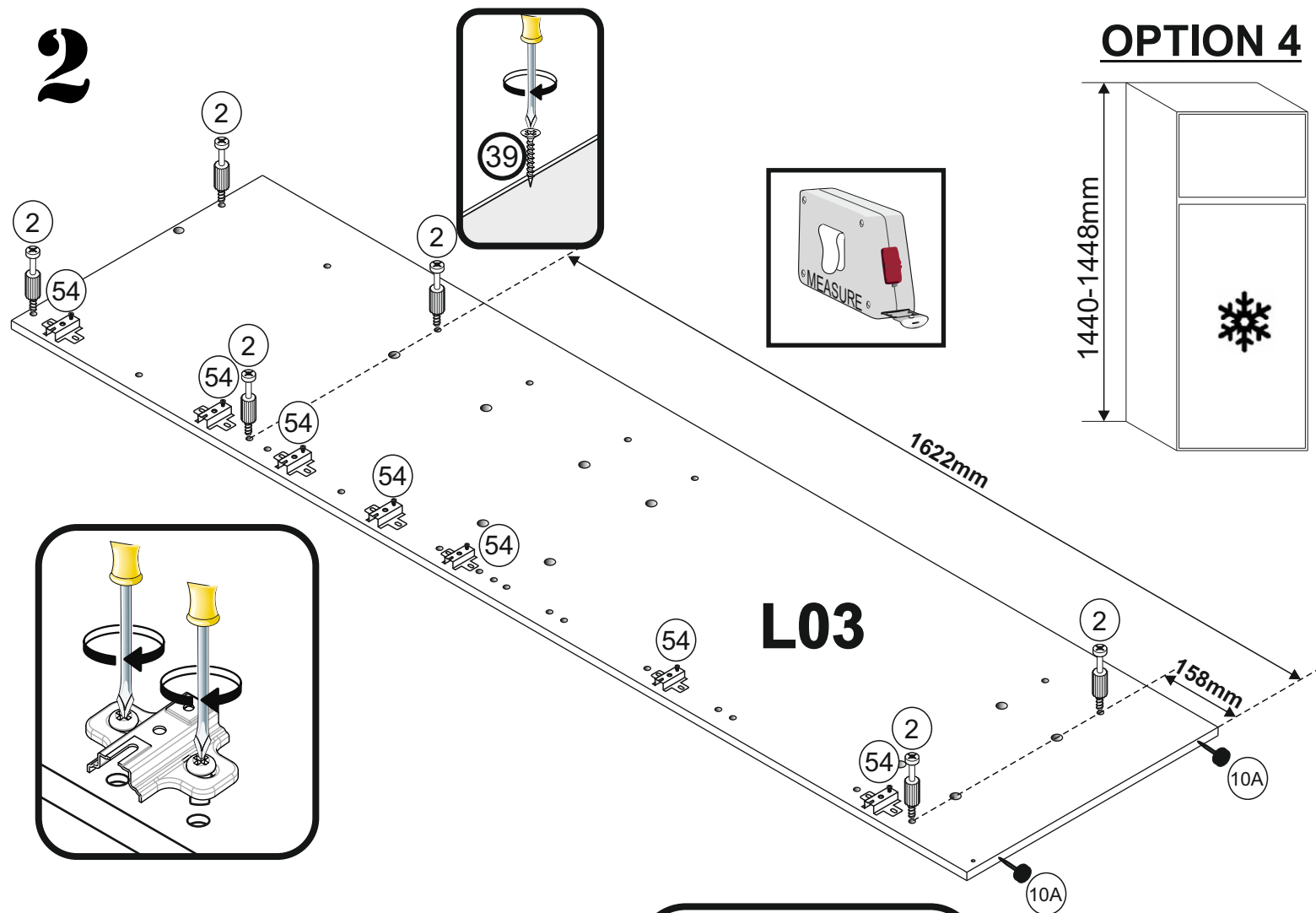
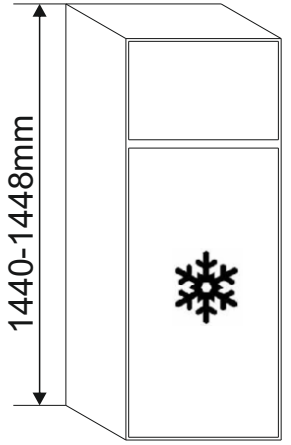
L01	567x510mm
L02	567x150mm
L04	2111x555mm
L08	567x510mm





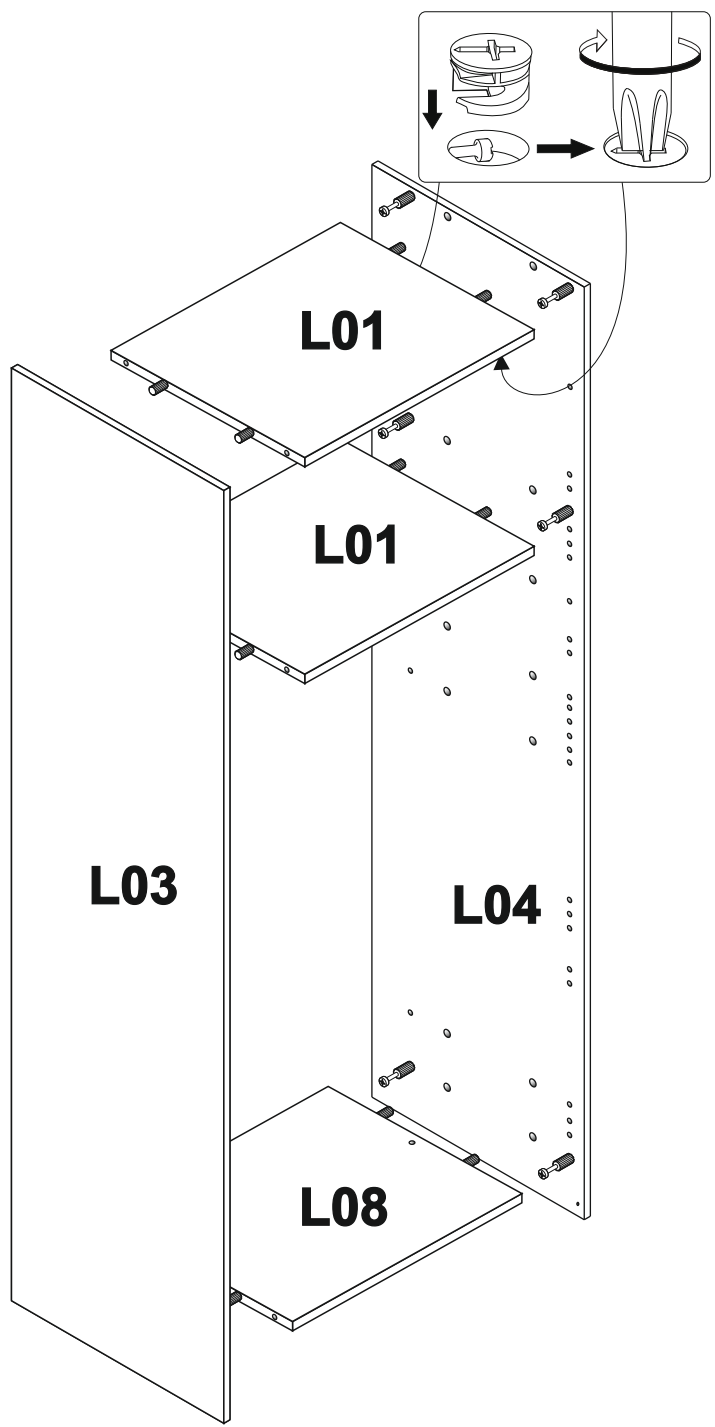
# 2

## OPTION 4

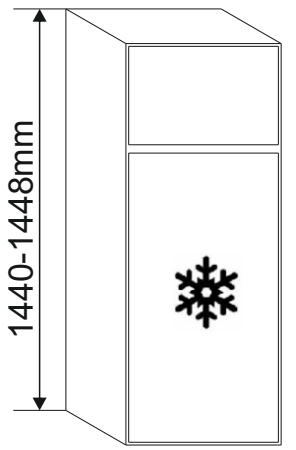


L03	2111x555mm
L05	495x596mm
L06	369x596mm
L07	1086x596mm

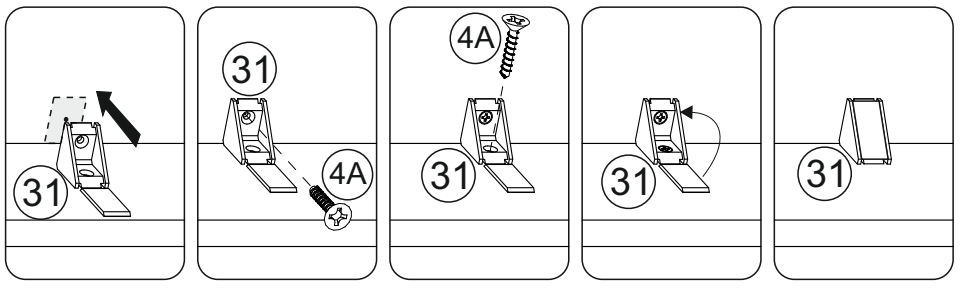
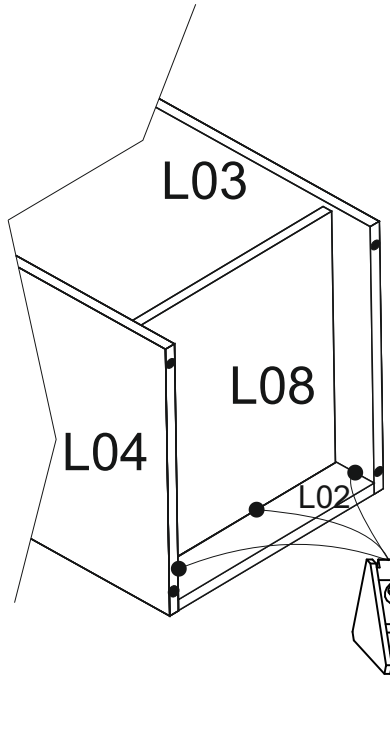
# 3



## OPTION 4



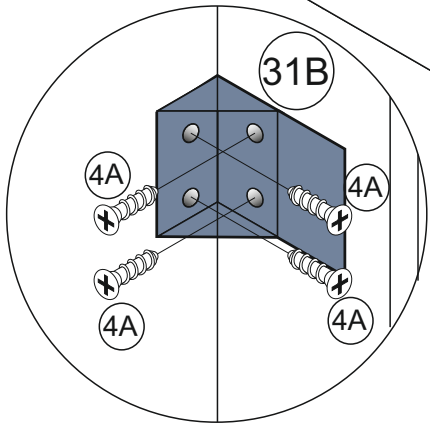
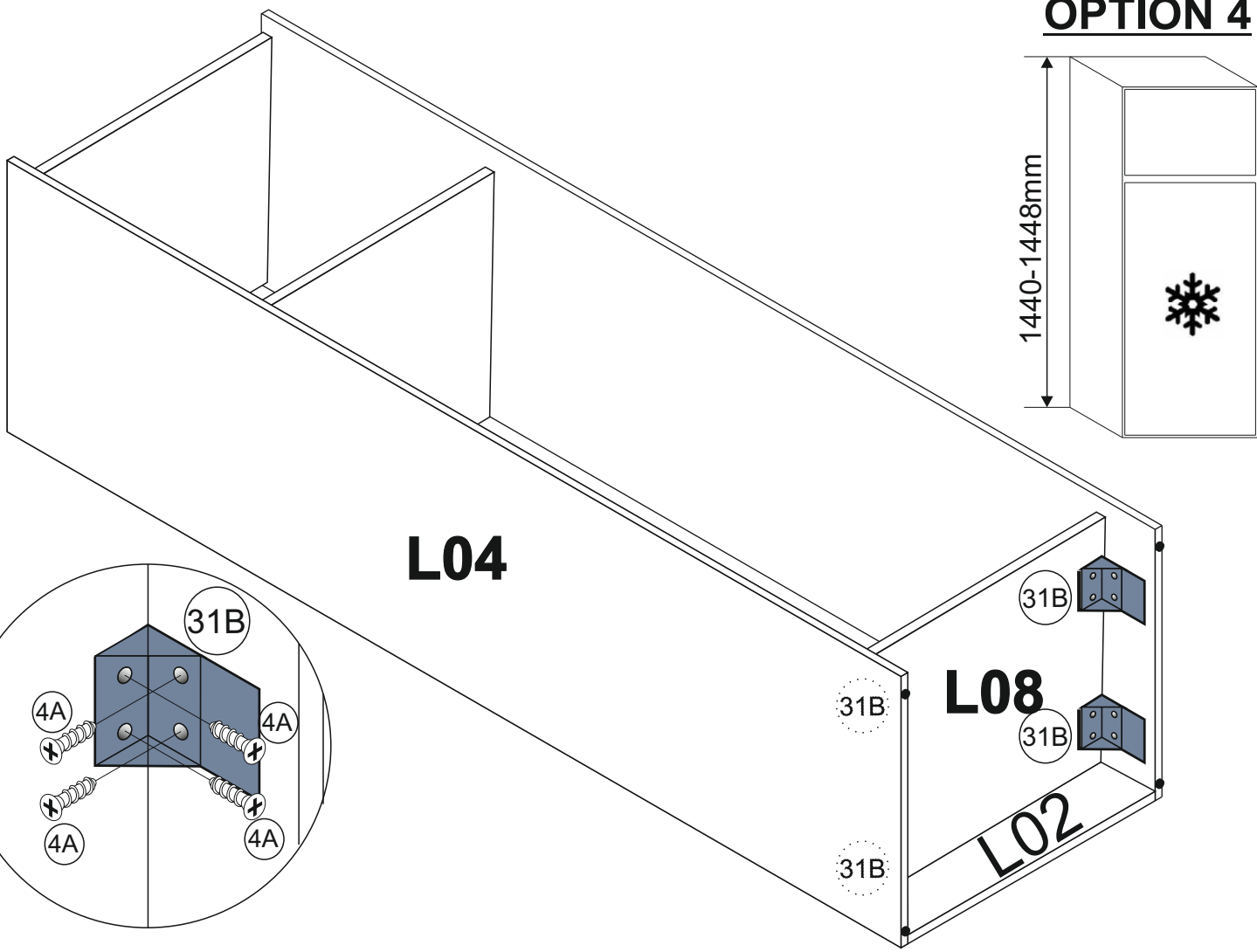
# 4



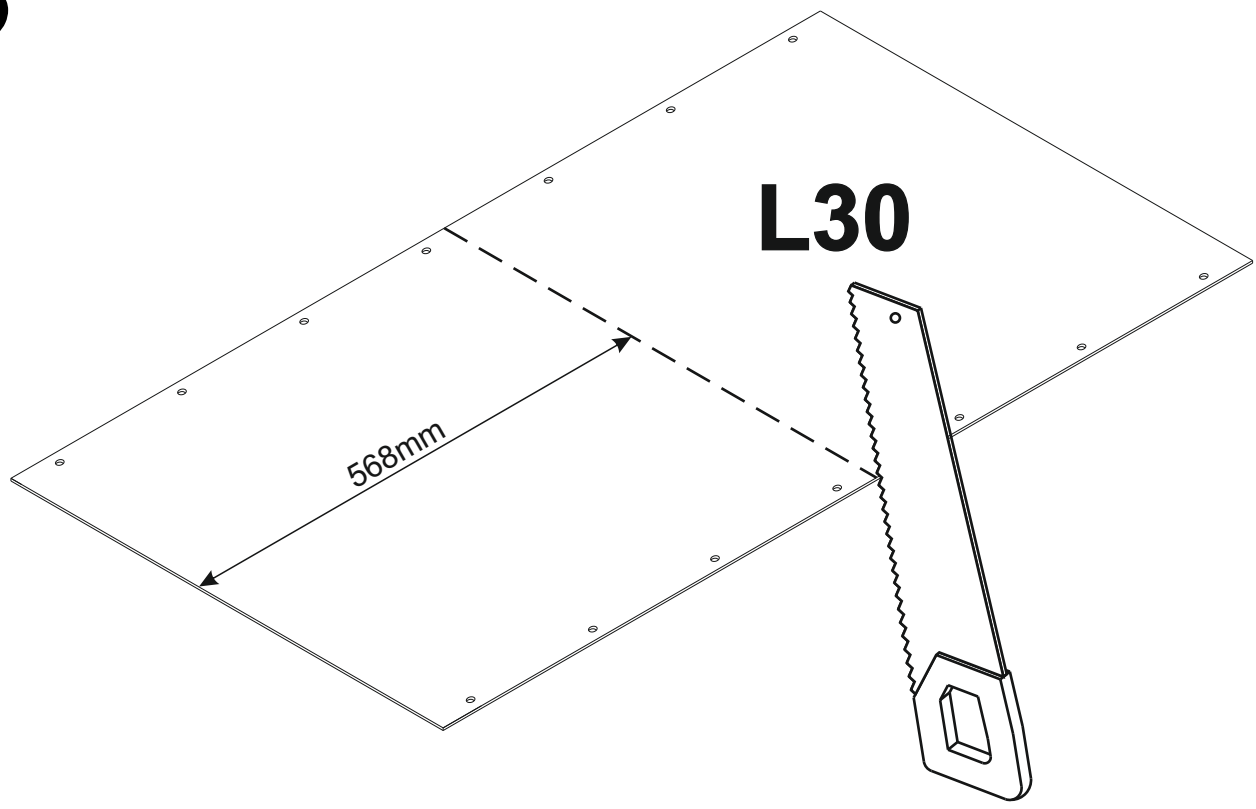
31 x3

**5**

**OPTION 4**



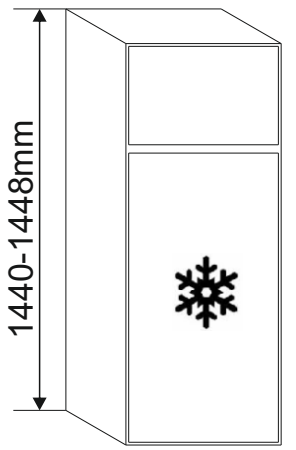
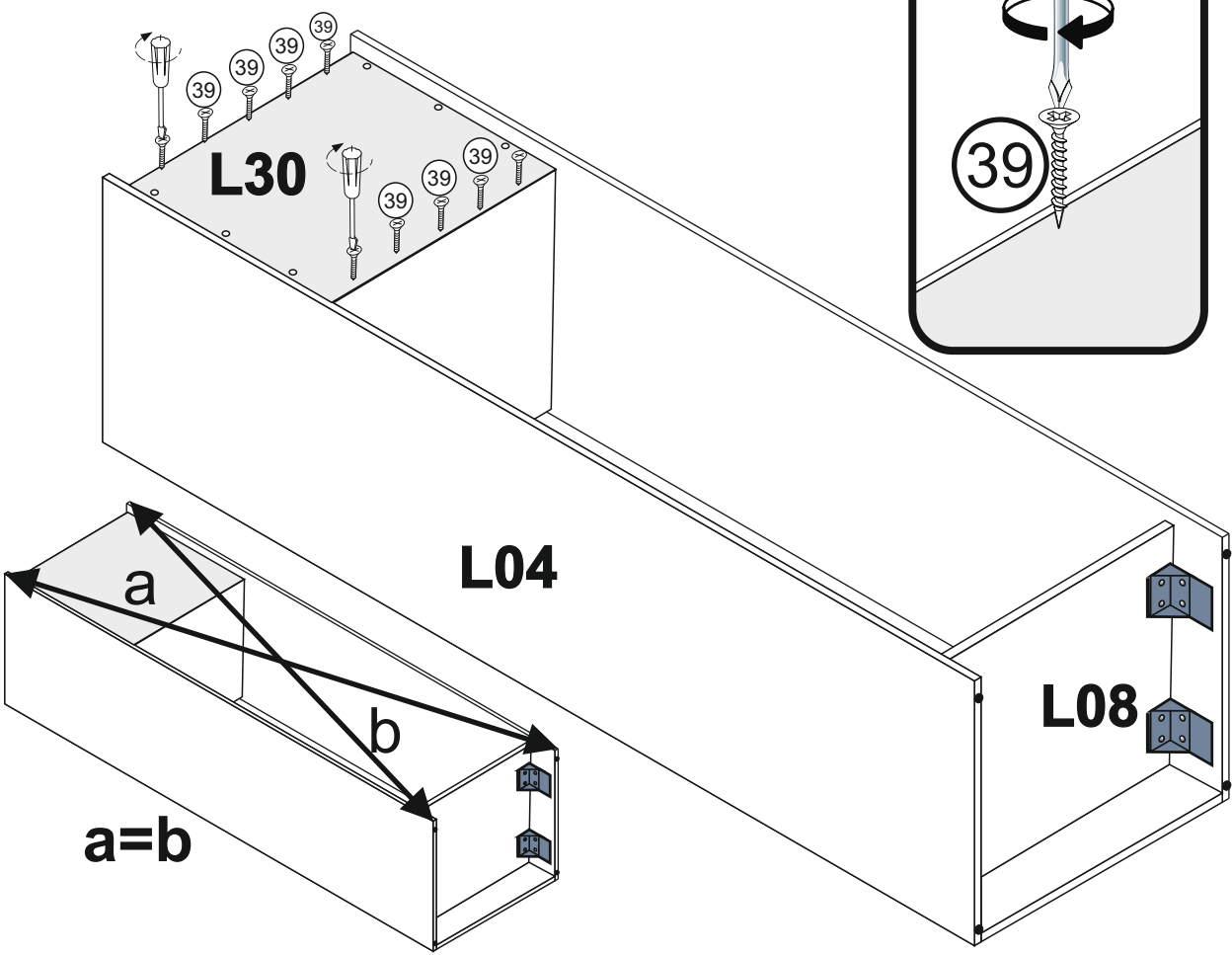
**6**



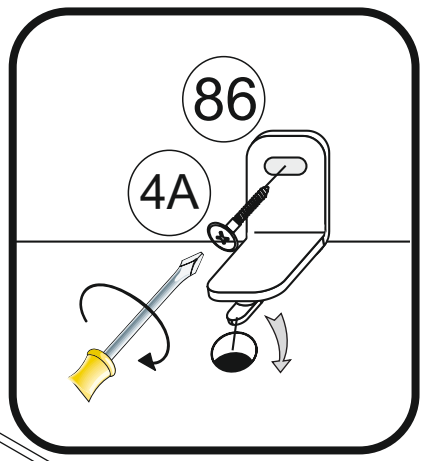
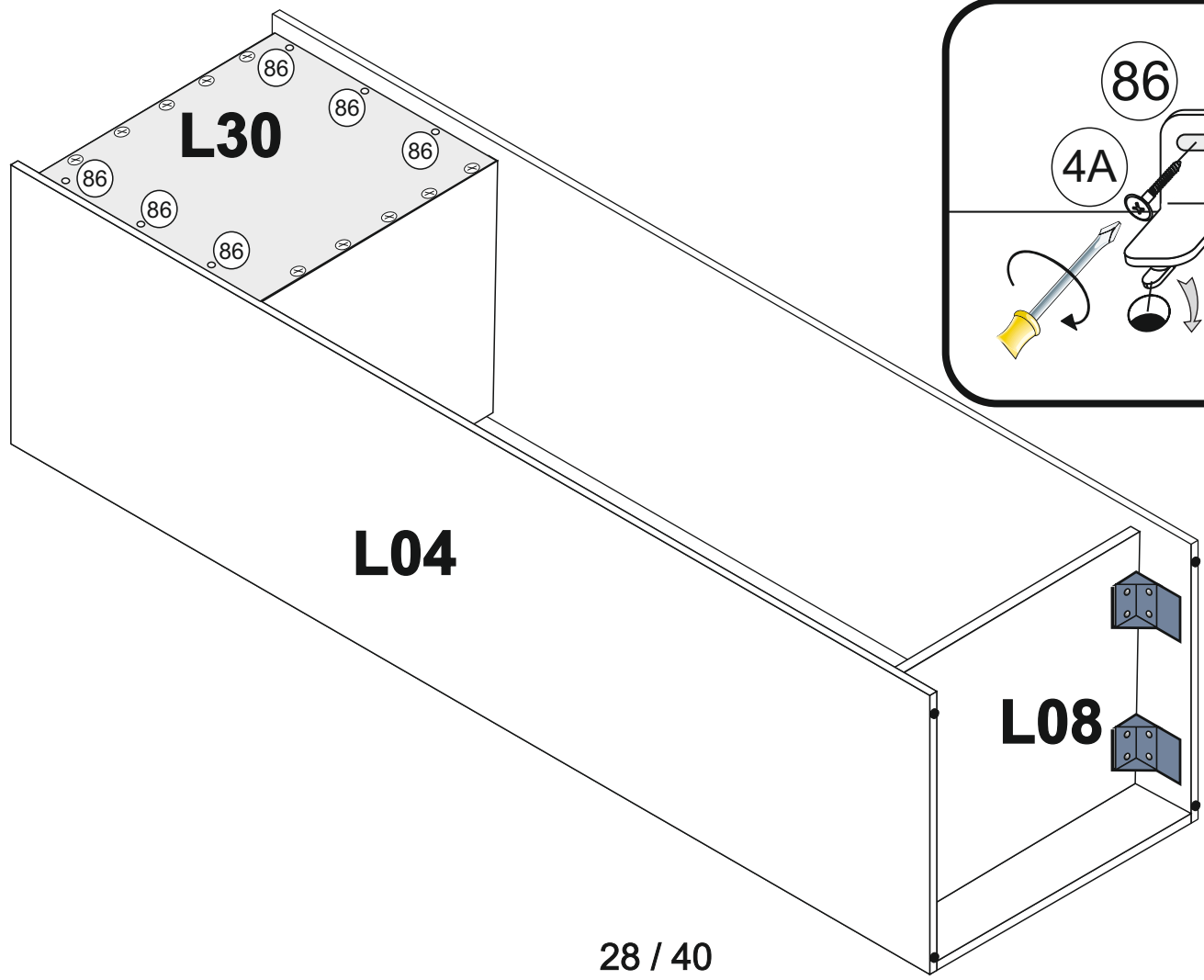
**L30 1060x566mm**

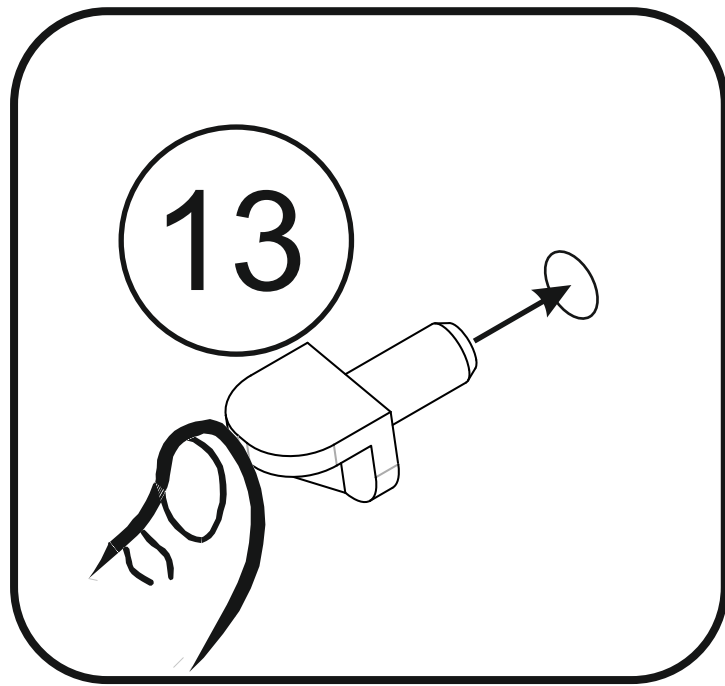
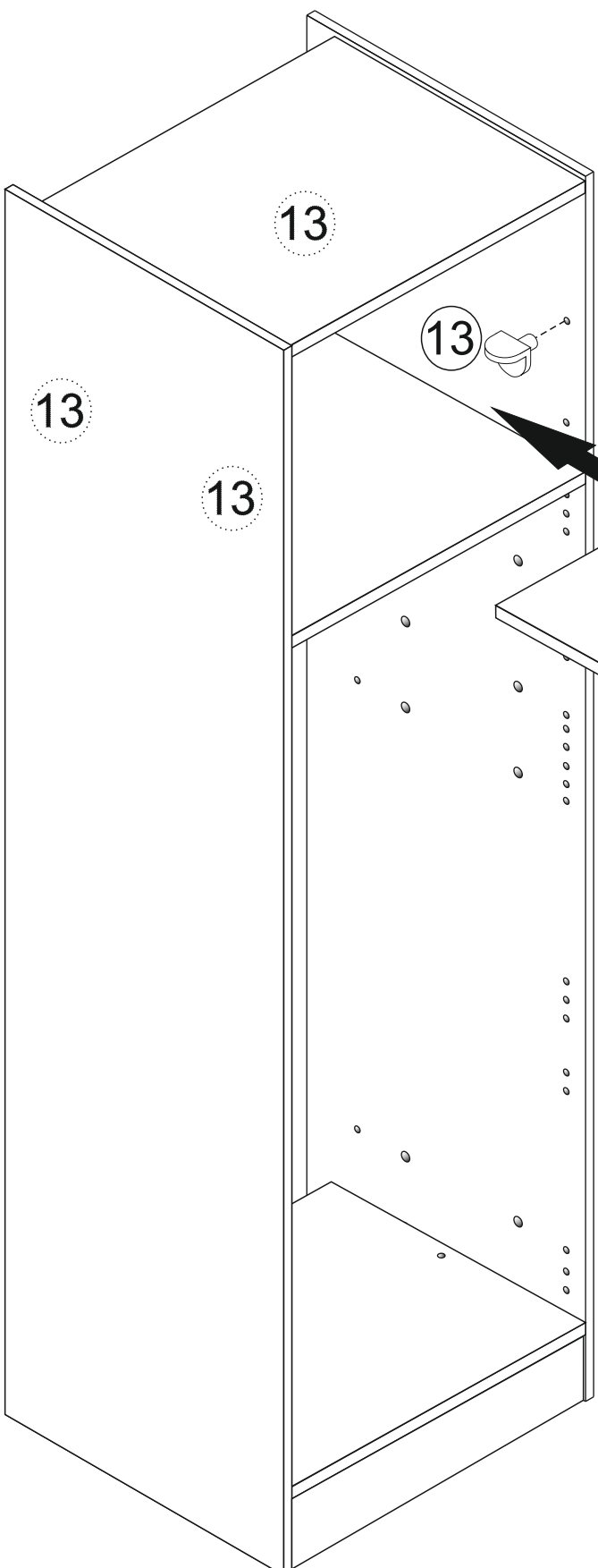
7

**OPTION 4**

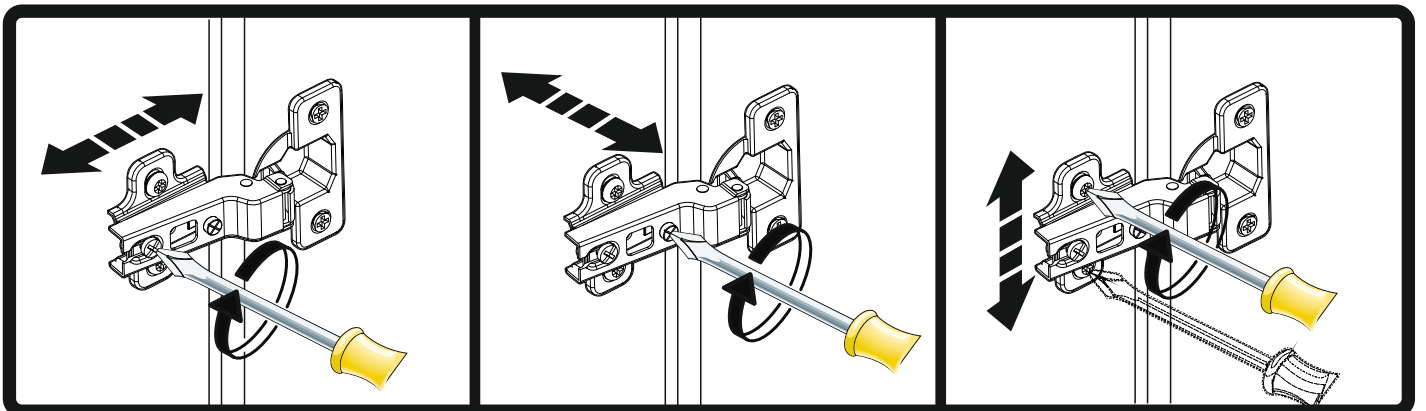
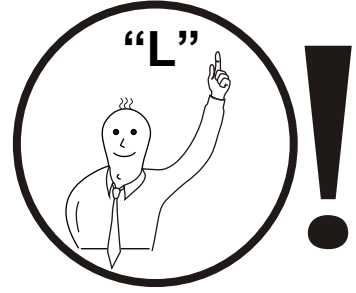
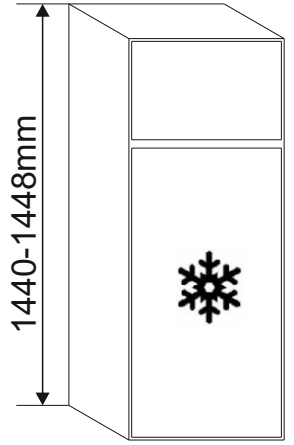
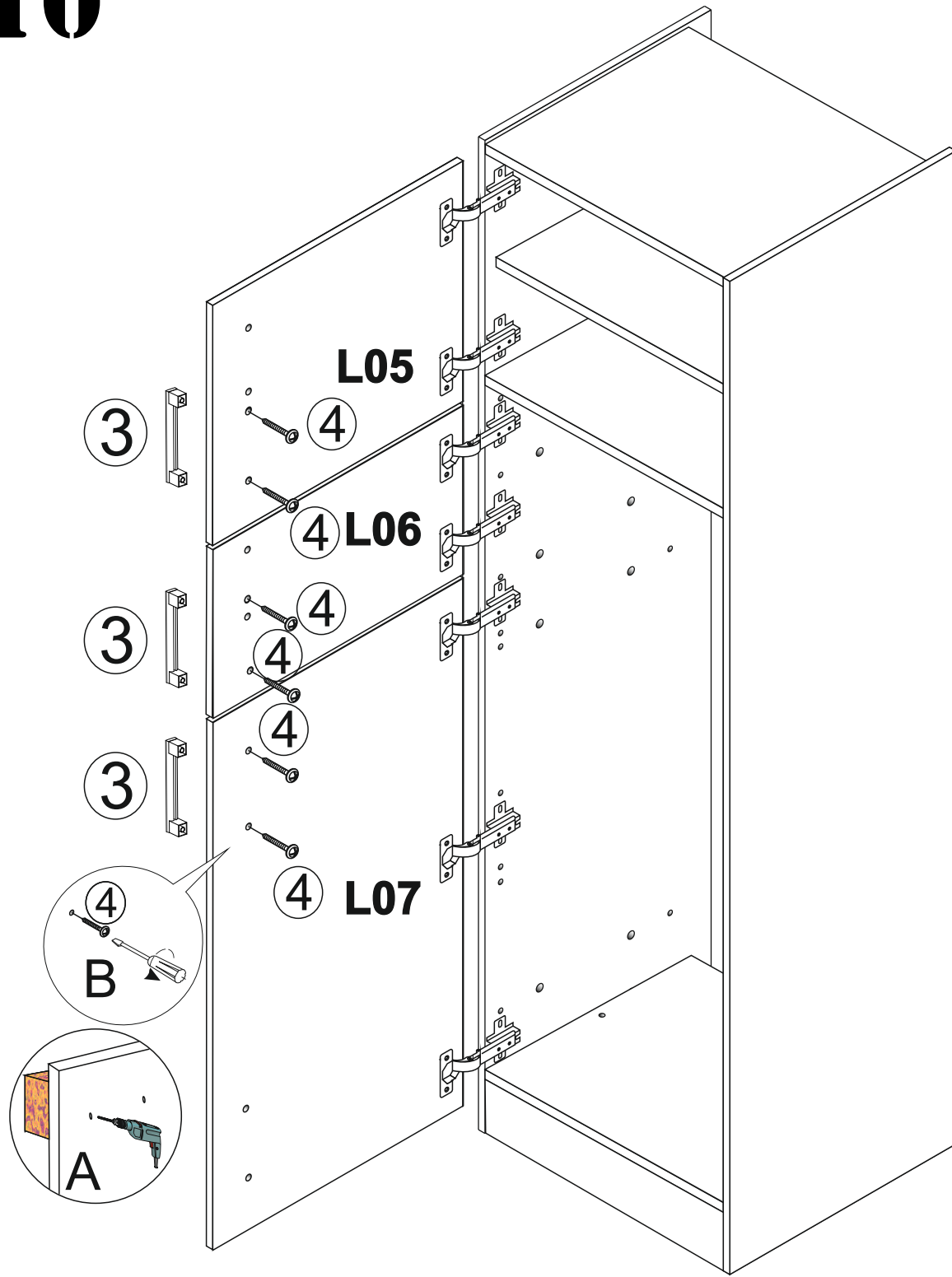


8



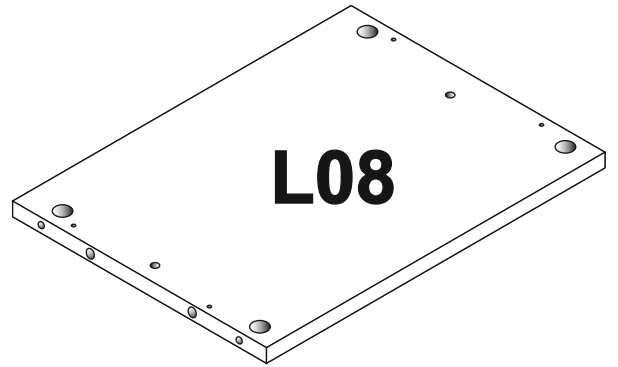
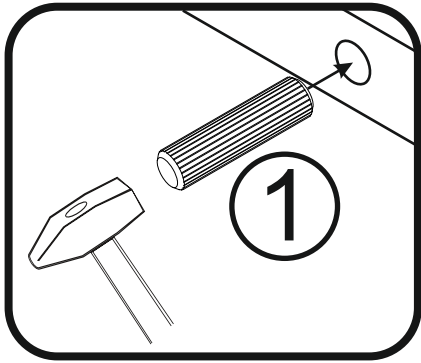
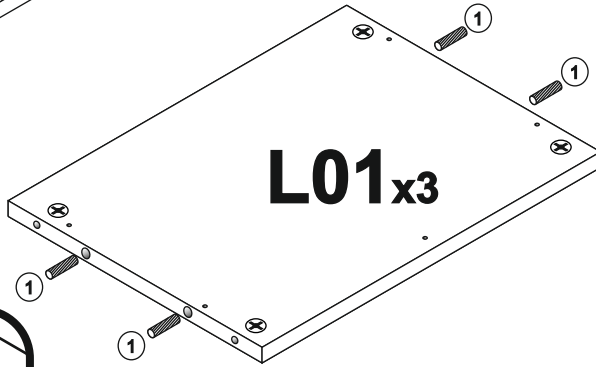
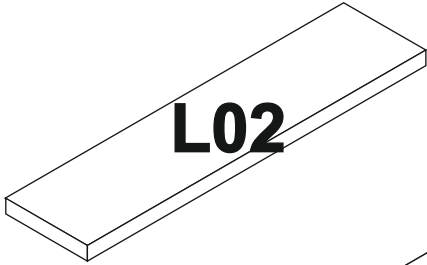
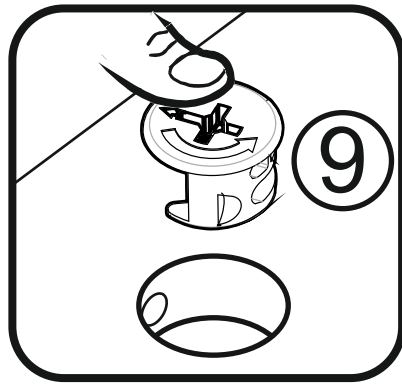
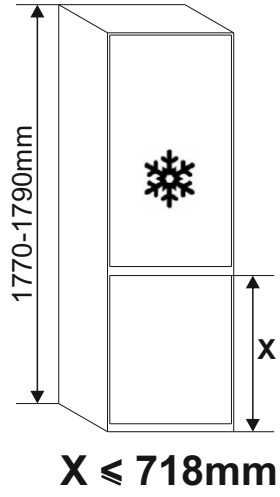


L10 567x500mm

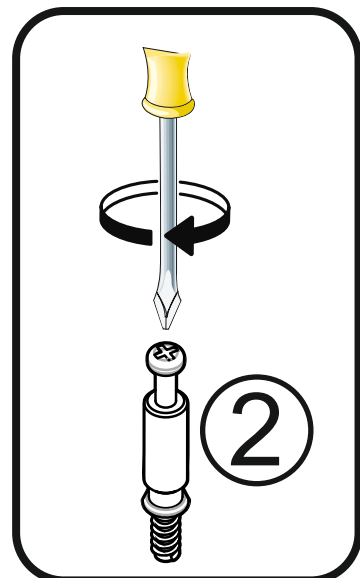
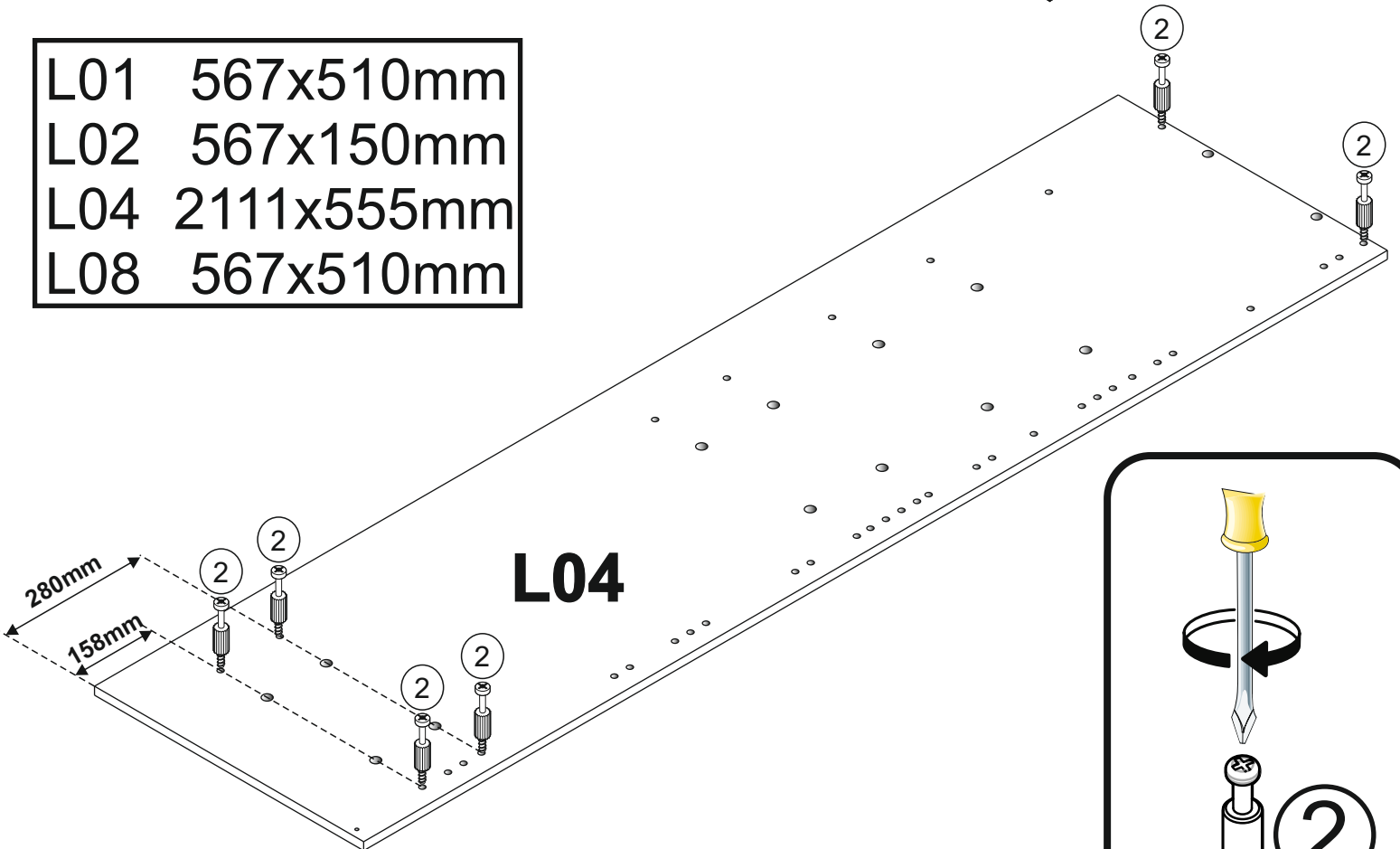


# 1

**OPTION 5**

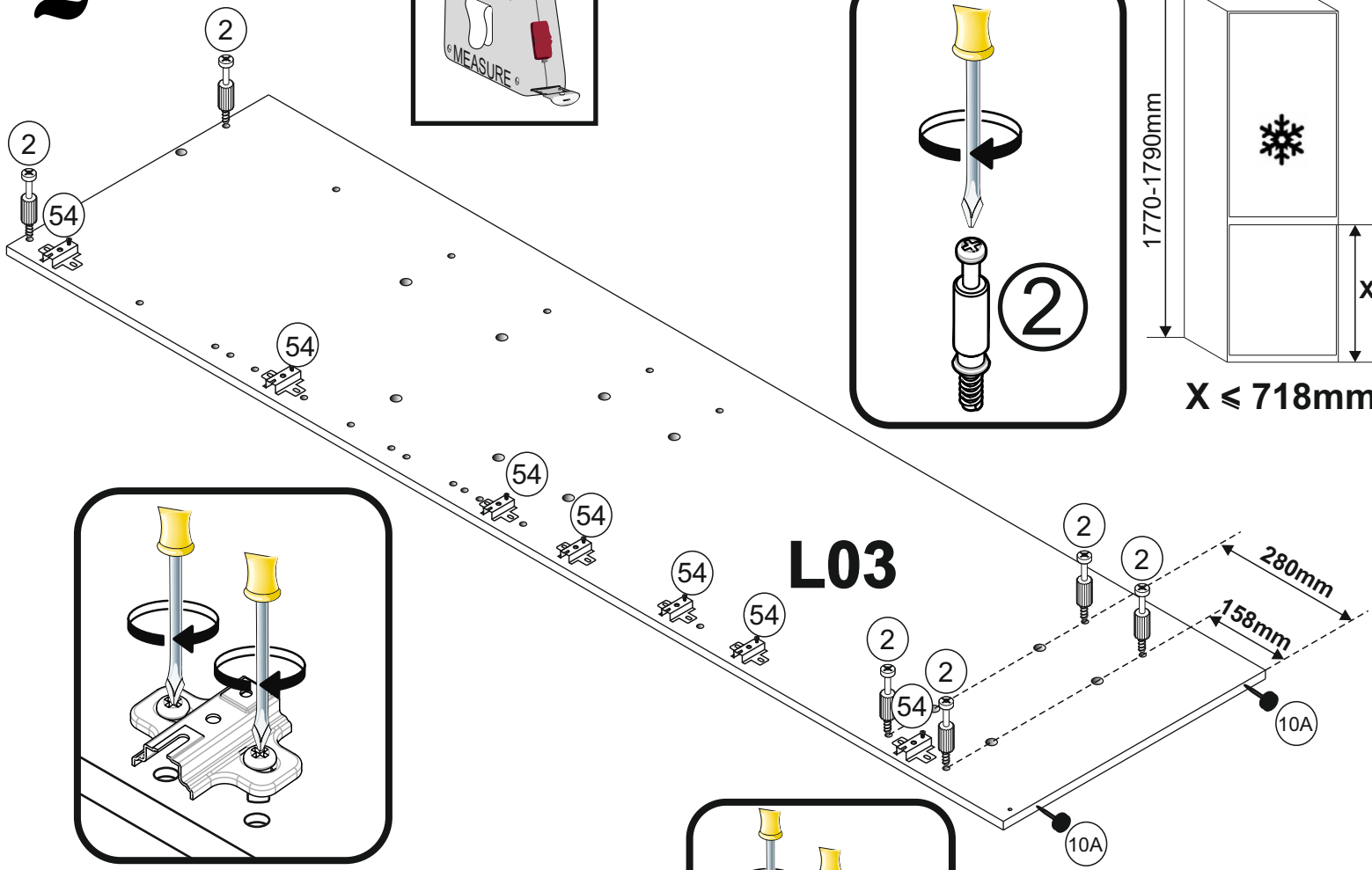
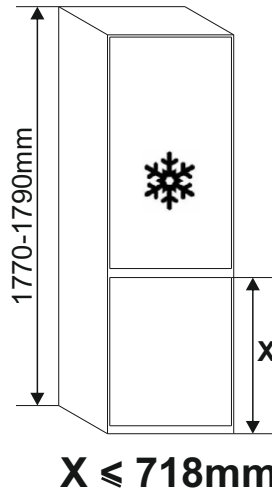
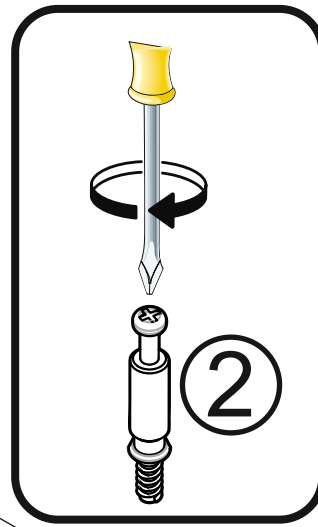
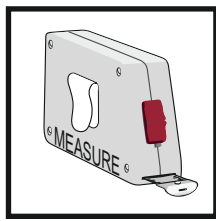


L01	567x510mm
L02	567x150mm
L04	2111x555mm
L08	567x510mm

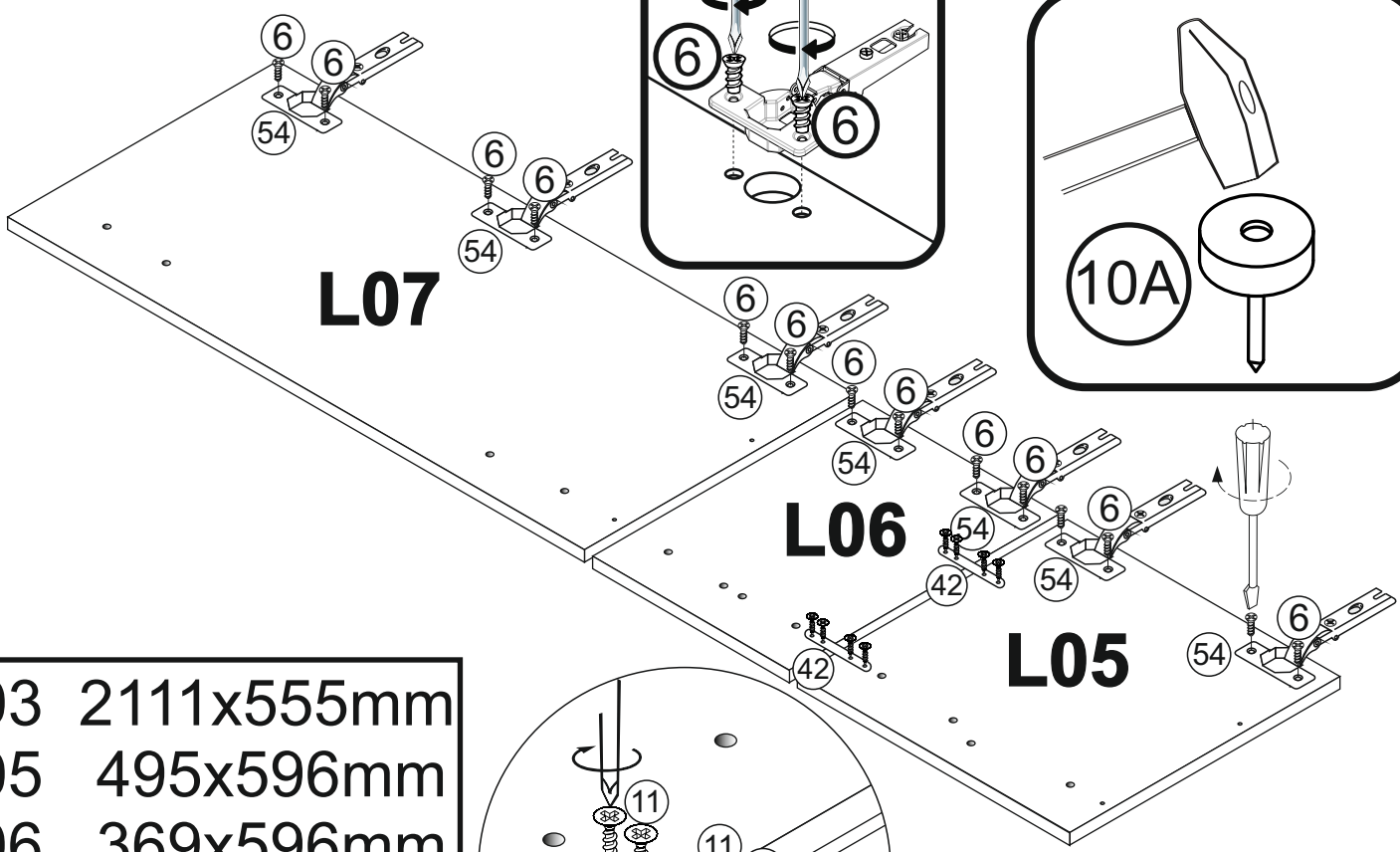
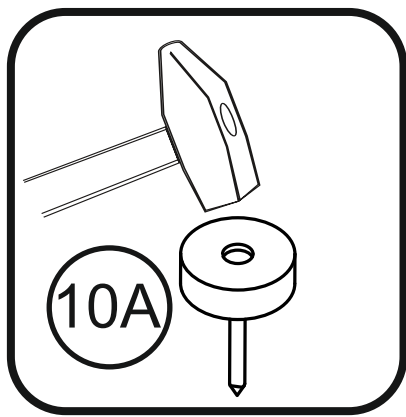
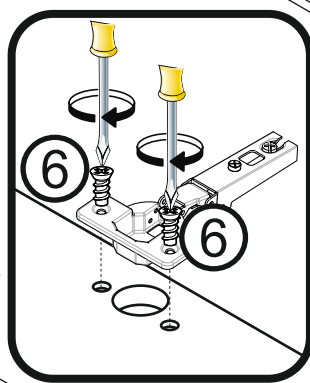
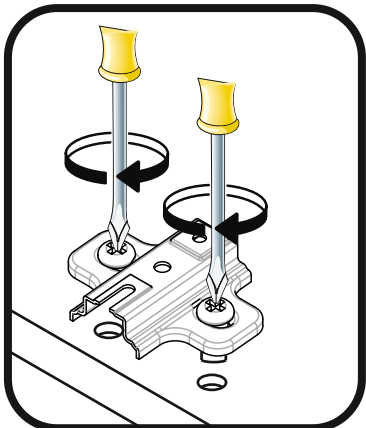


# 2

### OPTION 5



## L03

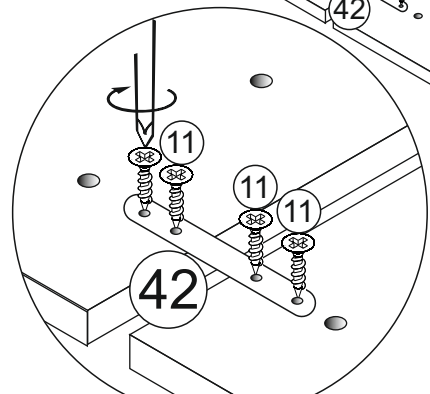


## L07

## L06

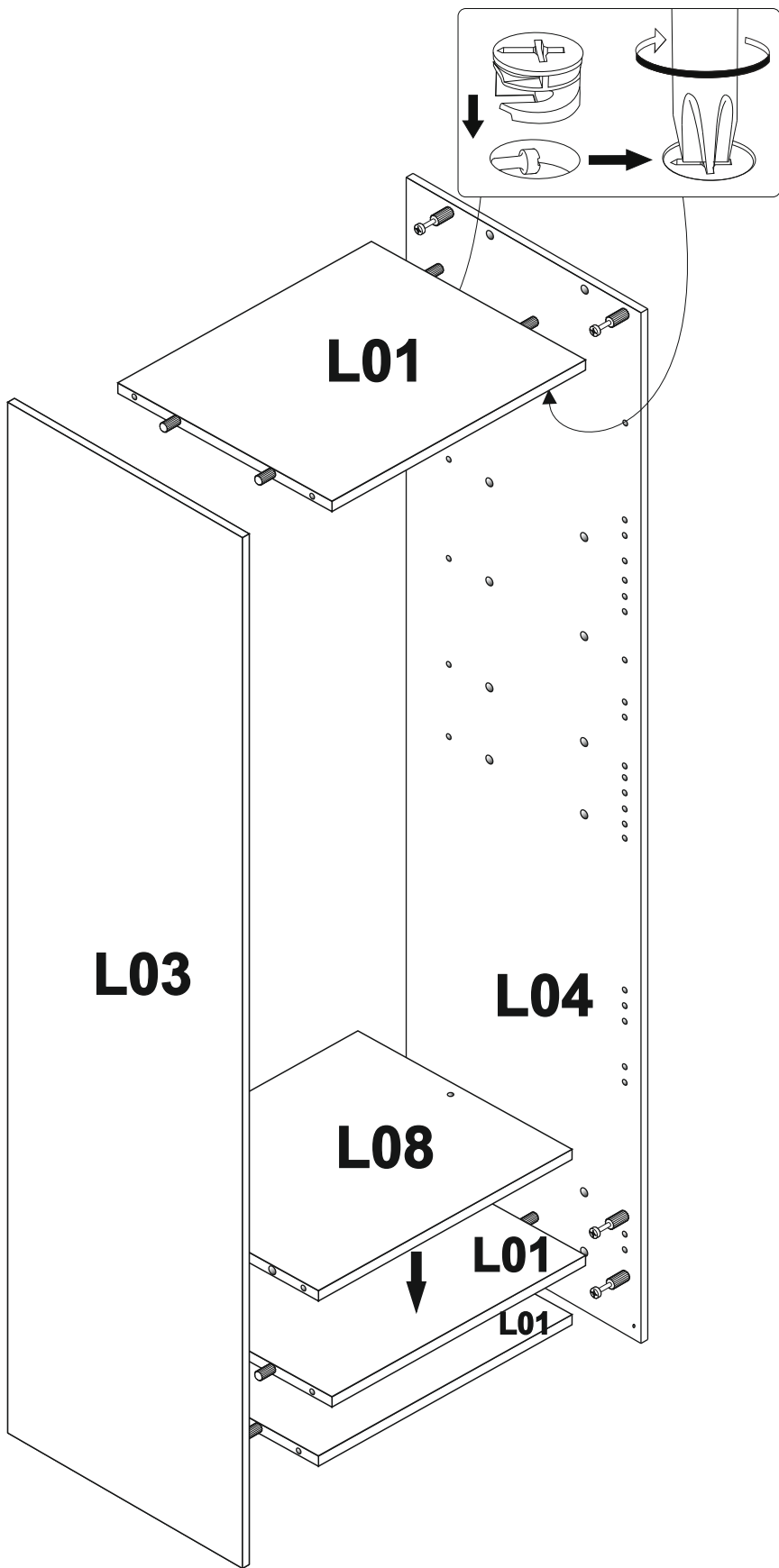
## L05

L03	2111x555mm
L05	495x596mm
L06	369x596mm
L07	1086x596mm

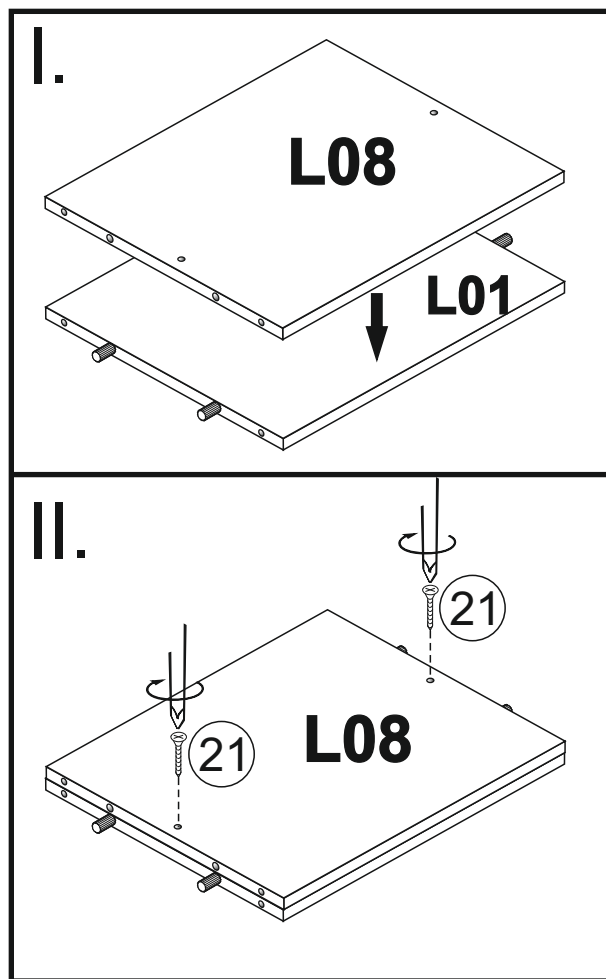
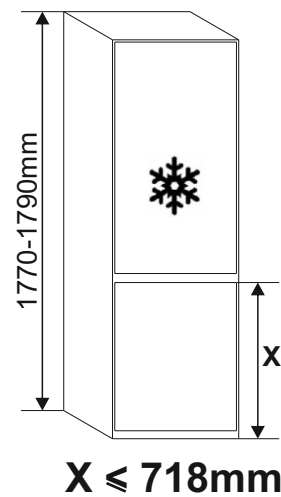




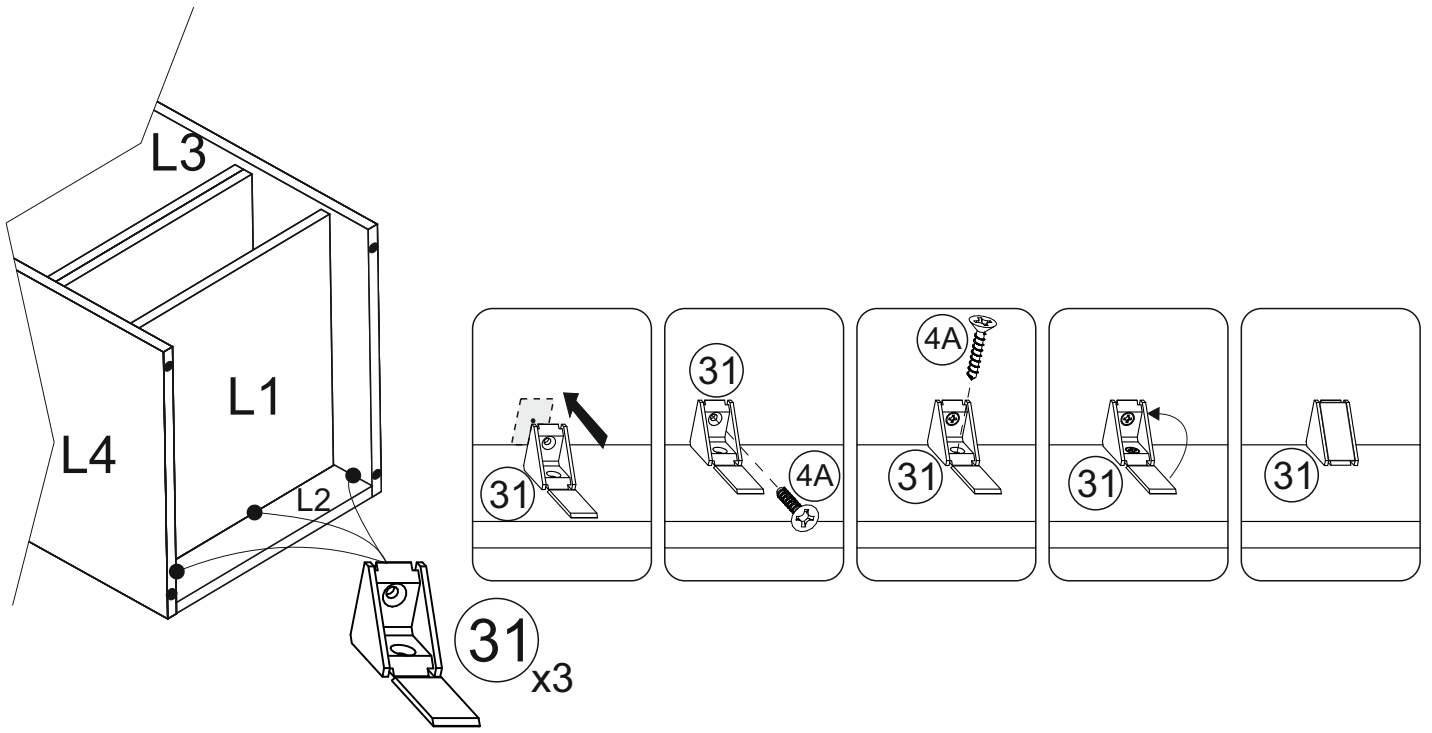
# 3



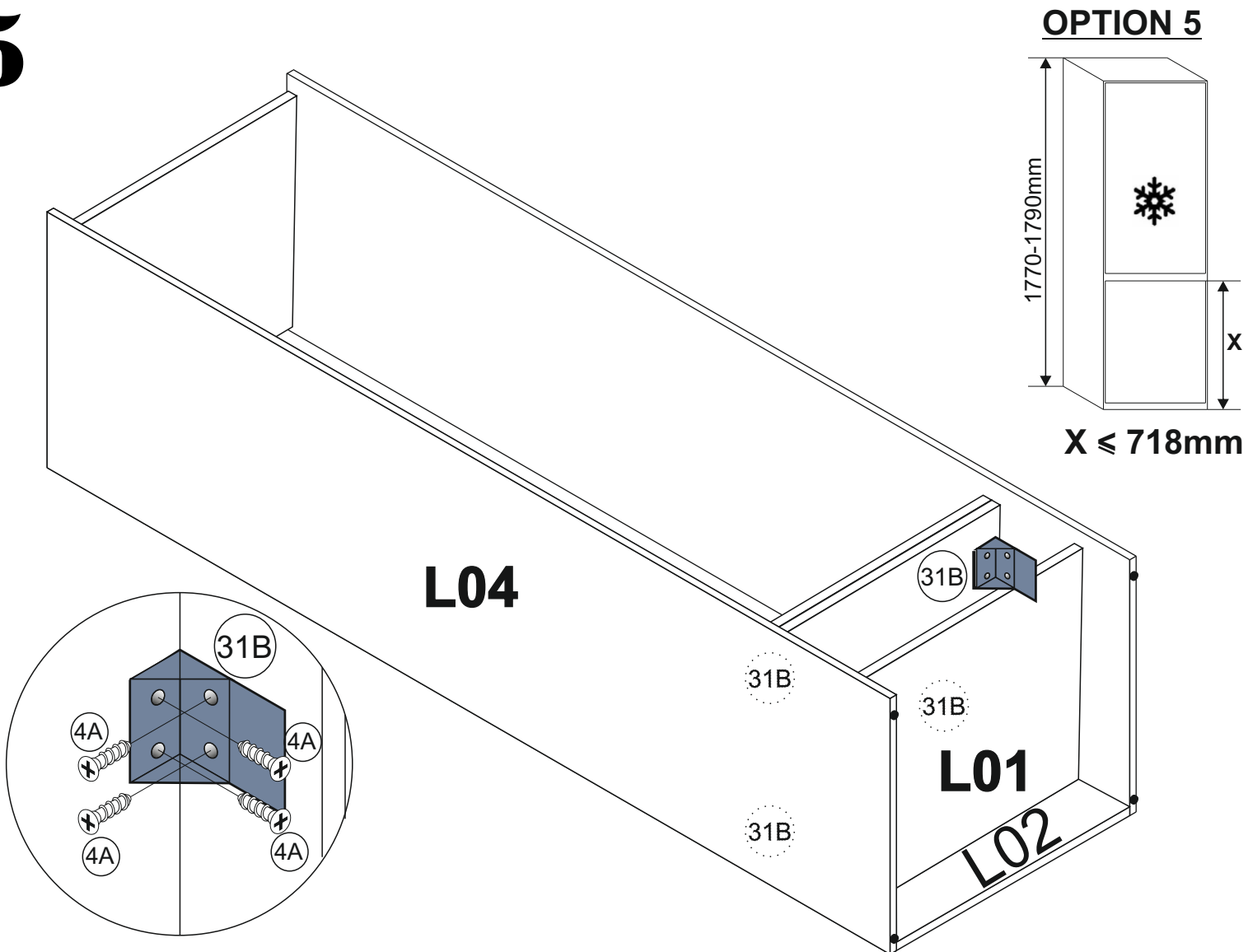
## OPTION 5



# 4

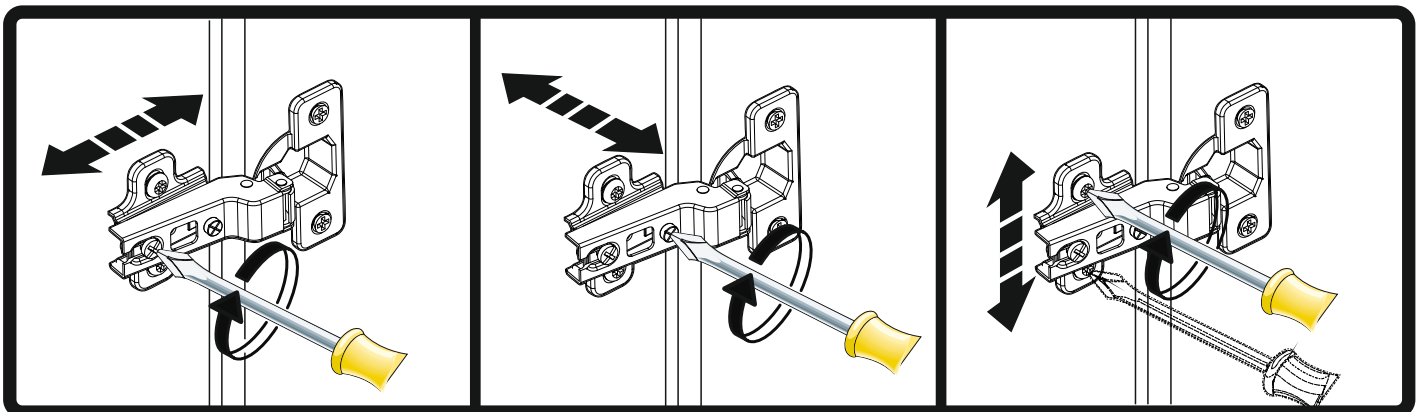
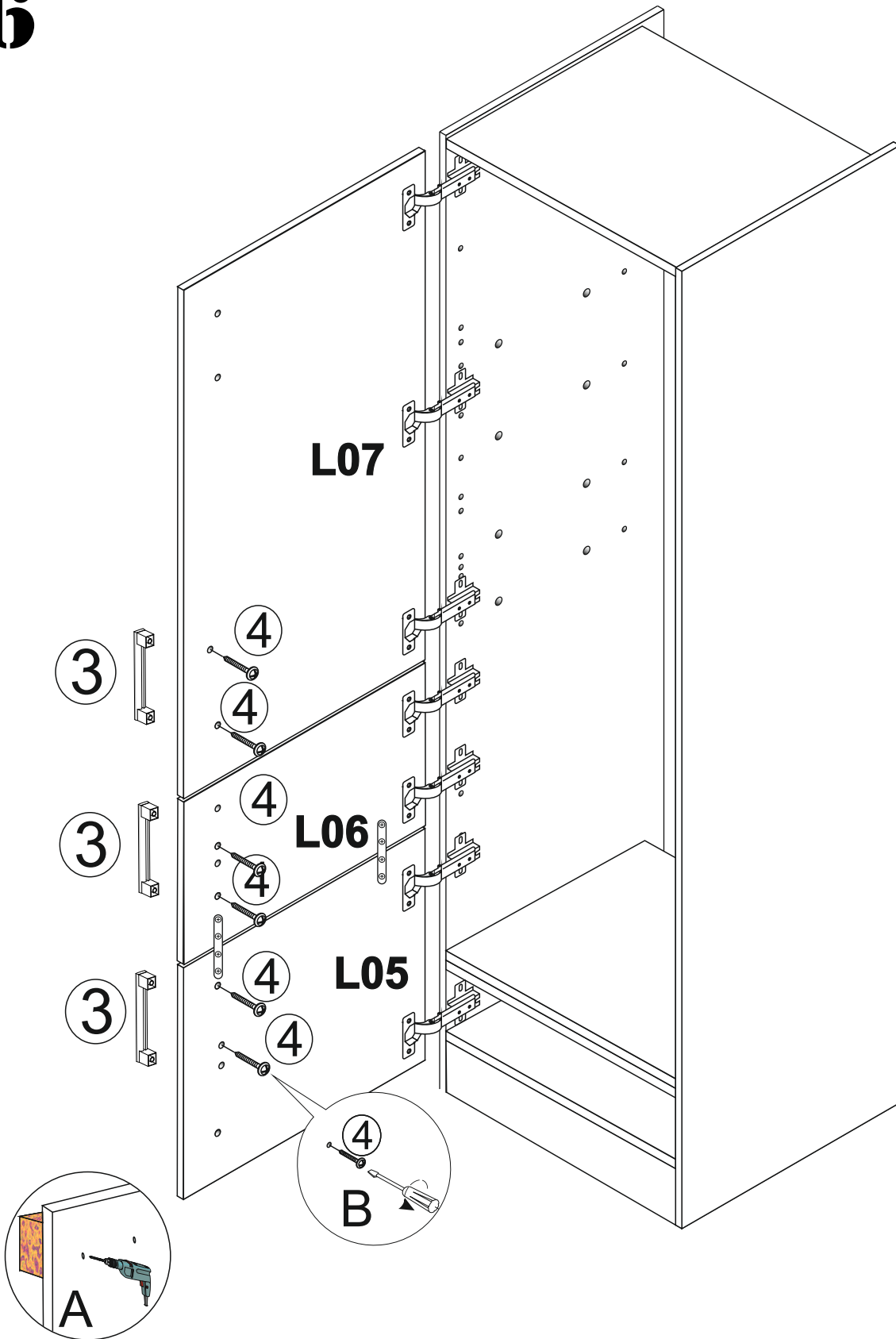
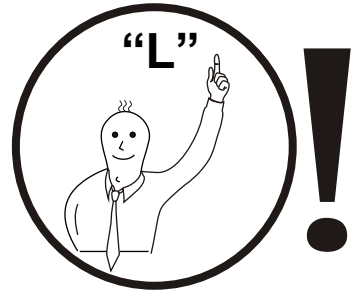
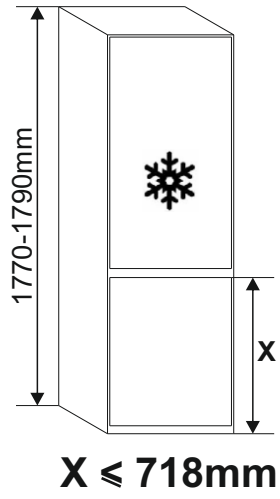


# 5

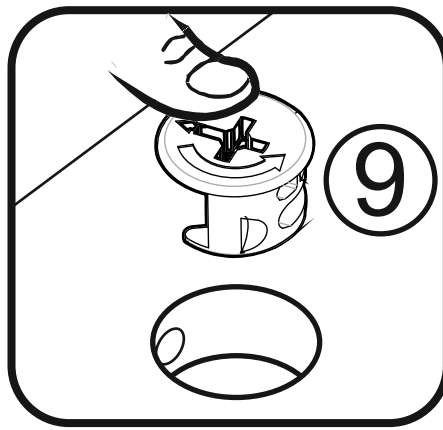


# 6

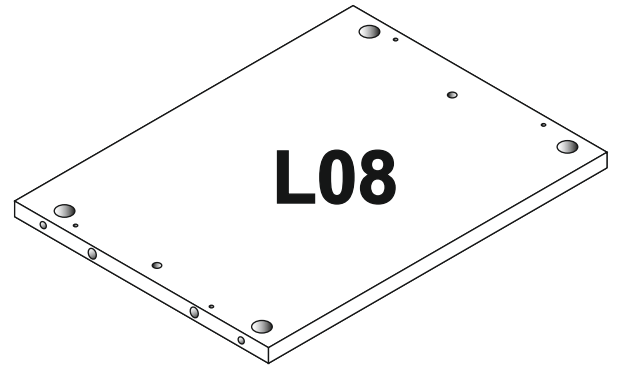
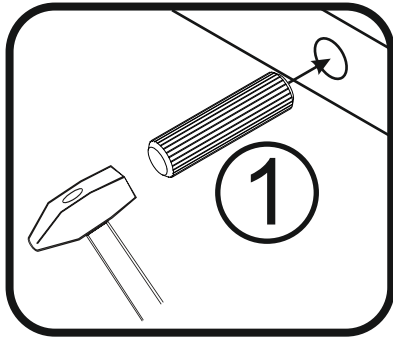
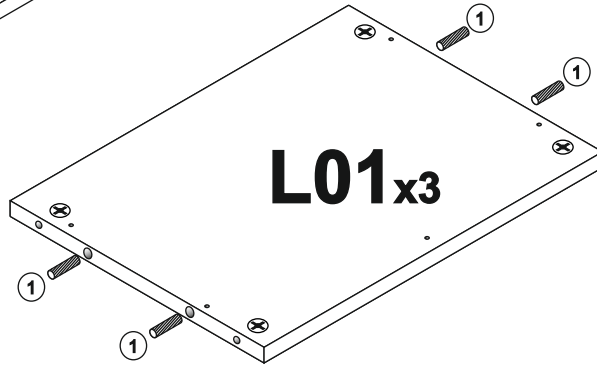
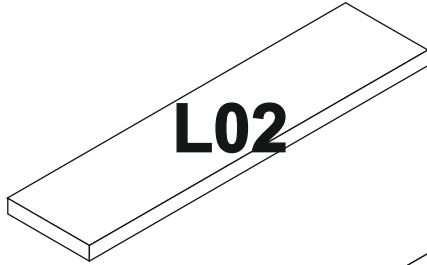
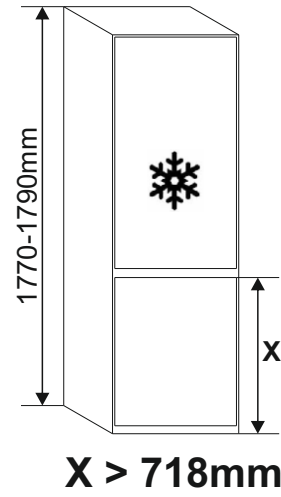
## OPTION 5



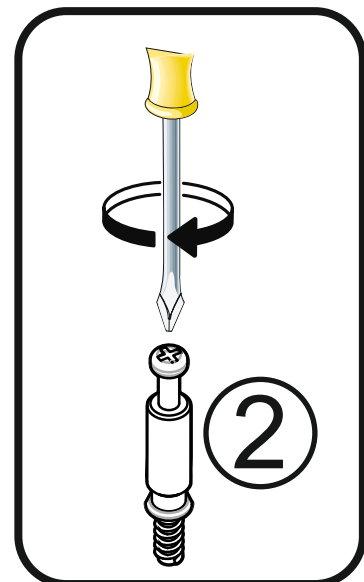
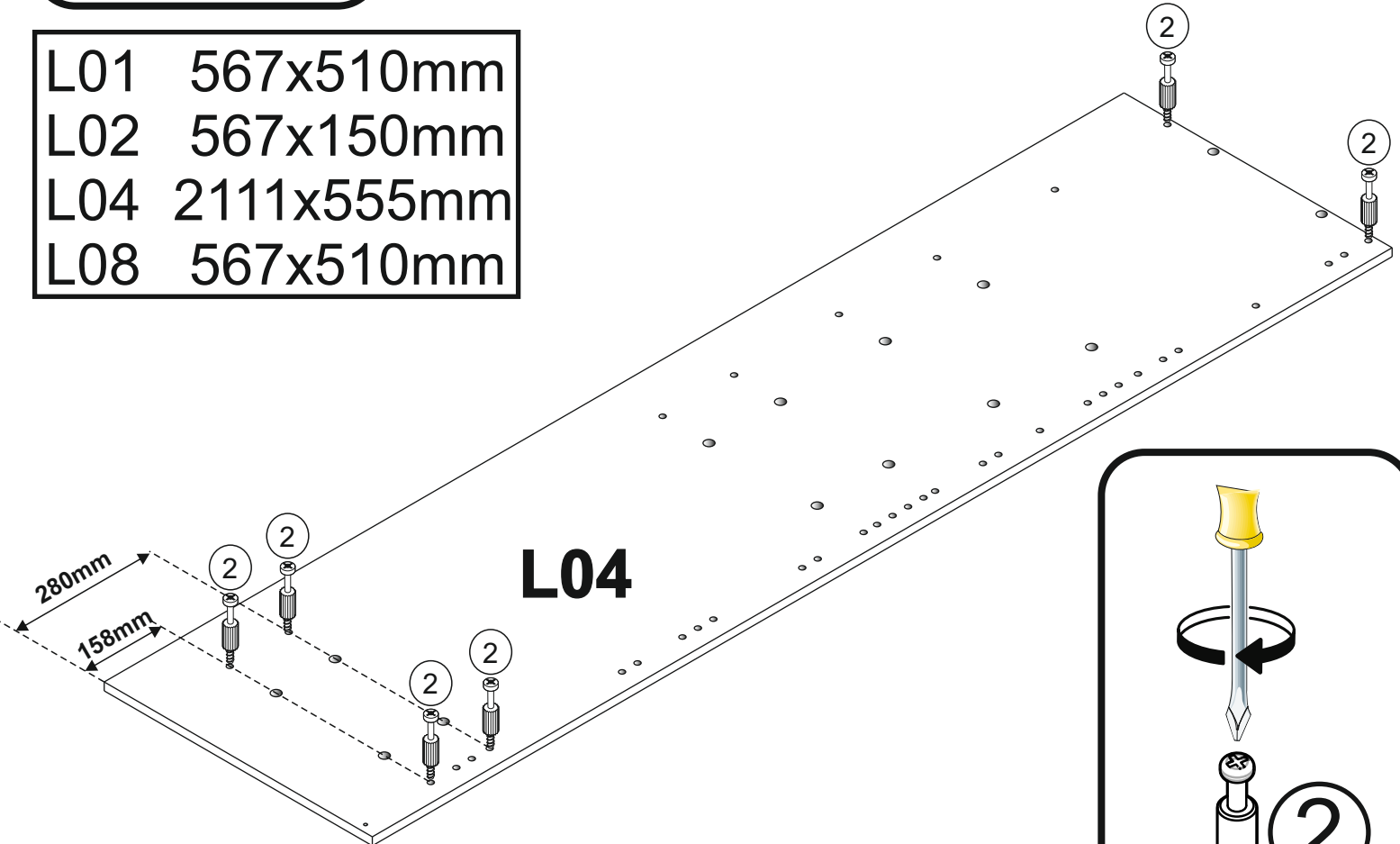
# 1



**OPTION 6**

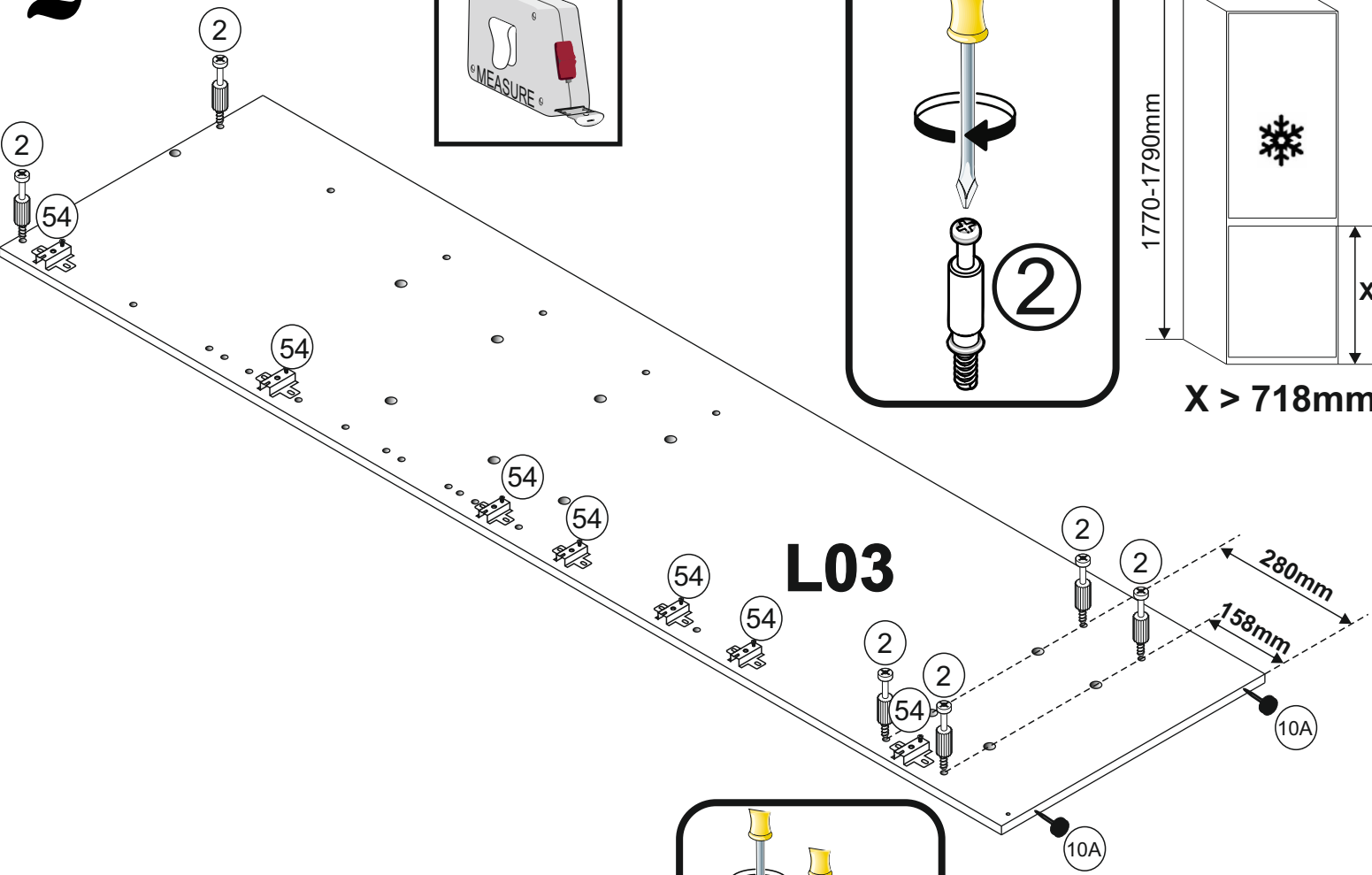
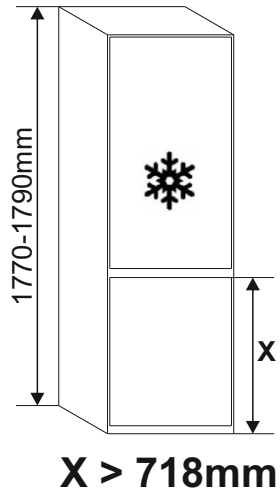
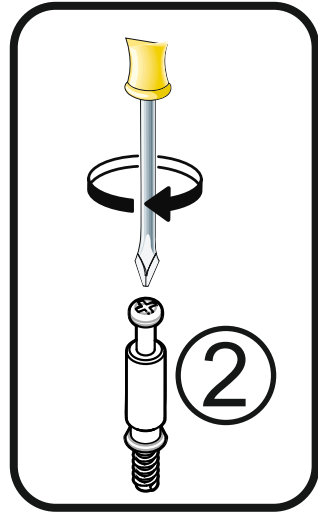
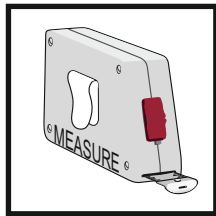


L01	567x510mm
L02	567x150mm
L04	2111x555mm
L08	567x510mm

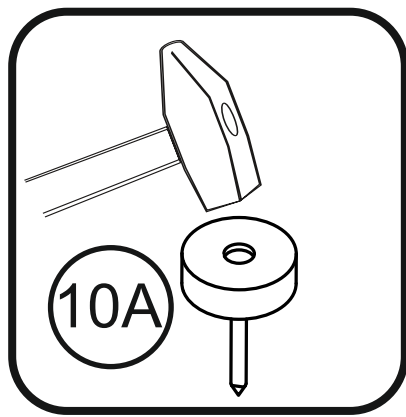
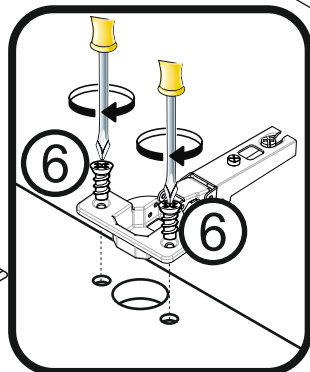


# 2

### OPTION 6



## L03

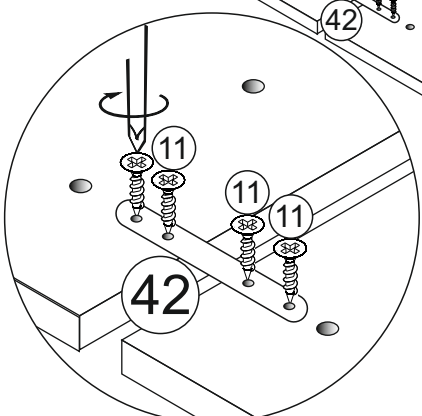


## L07

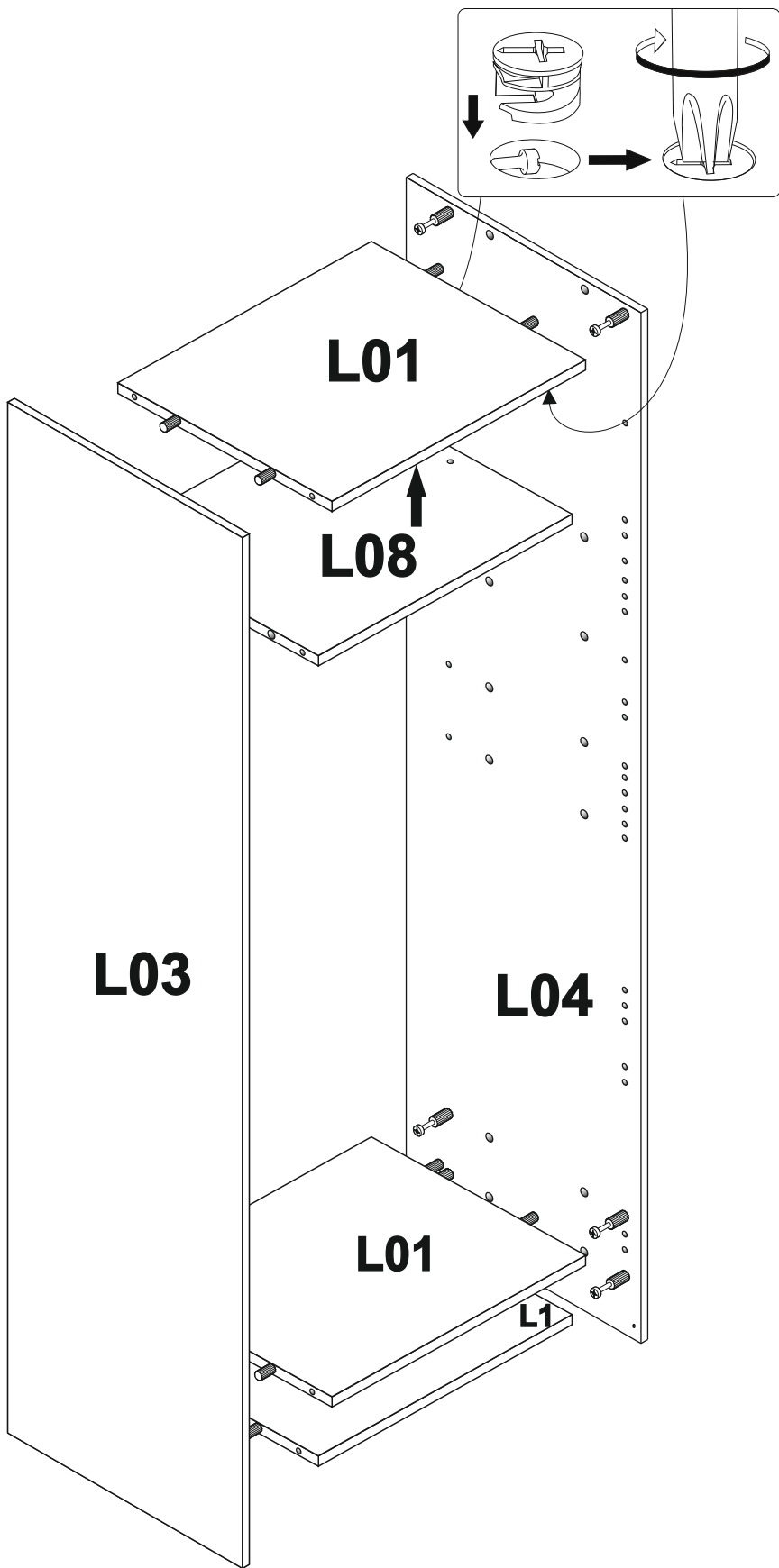
## L06

## L05

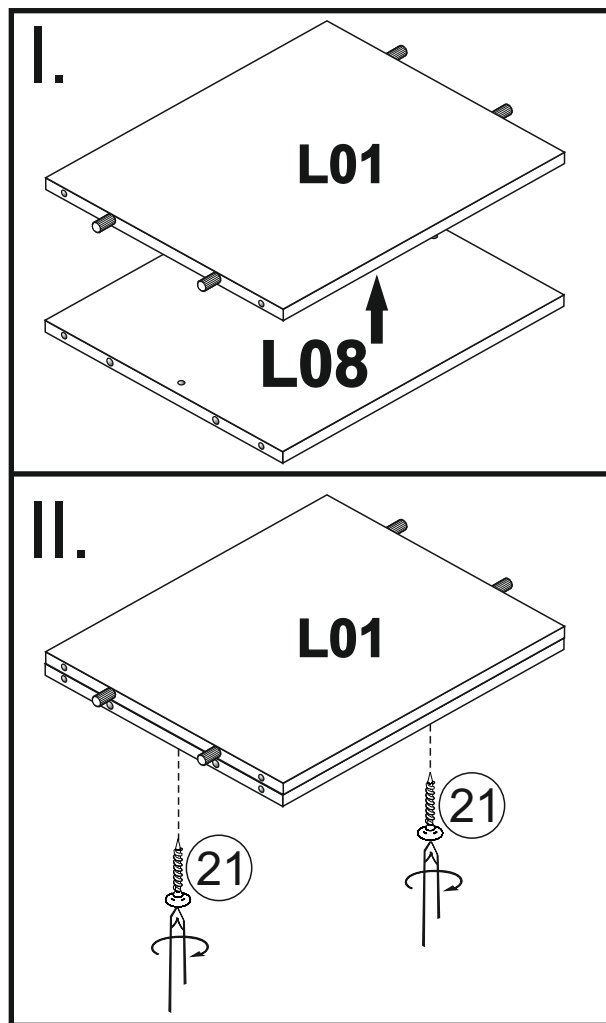
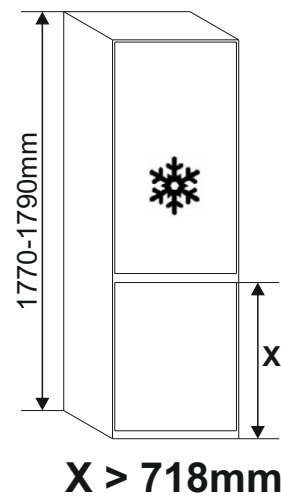
L03	2111x555mm
L05	495x596mm
L06	369x596mm
L07	1086x596mm



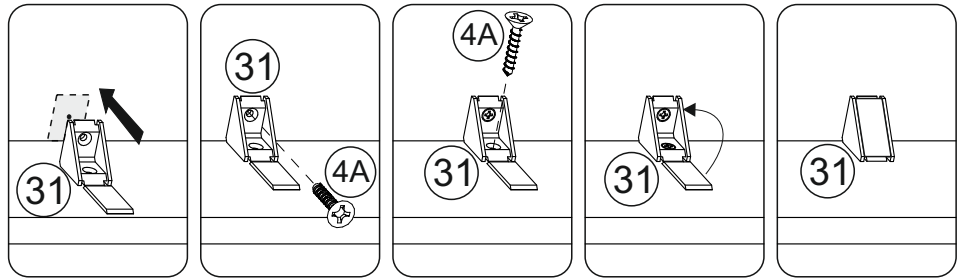
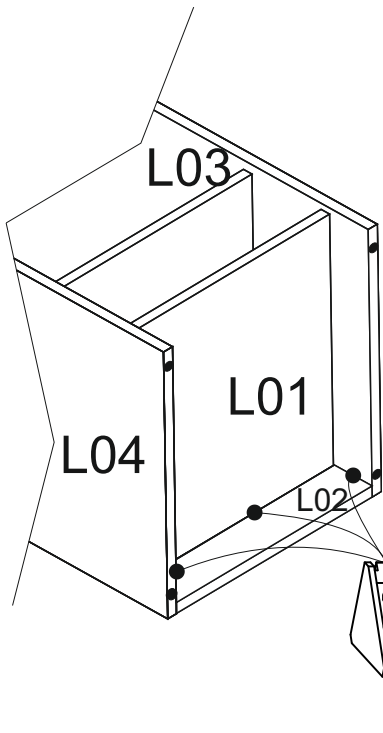
# 3



## OPTION 6

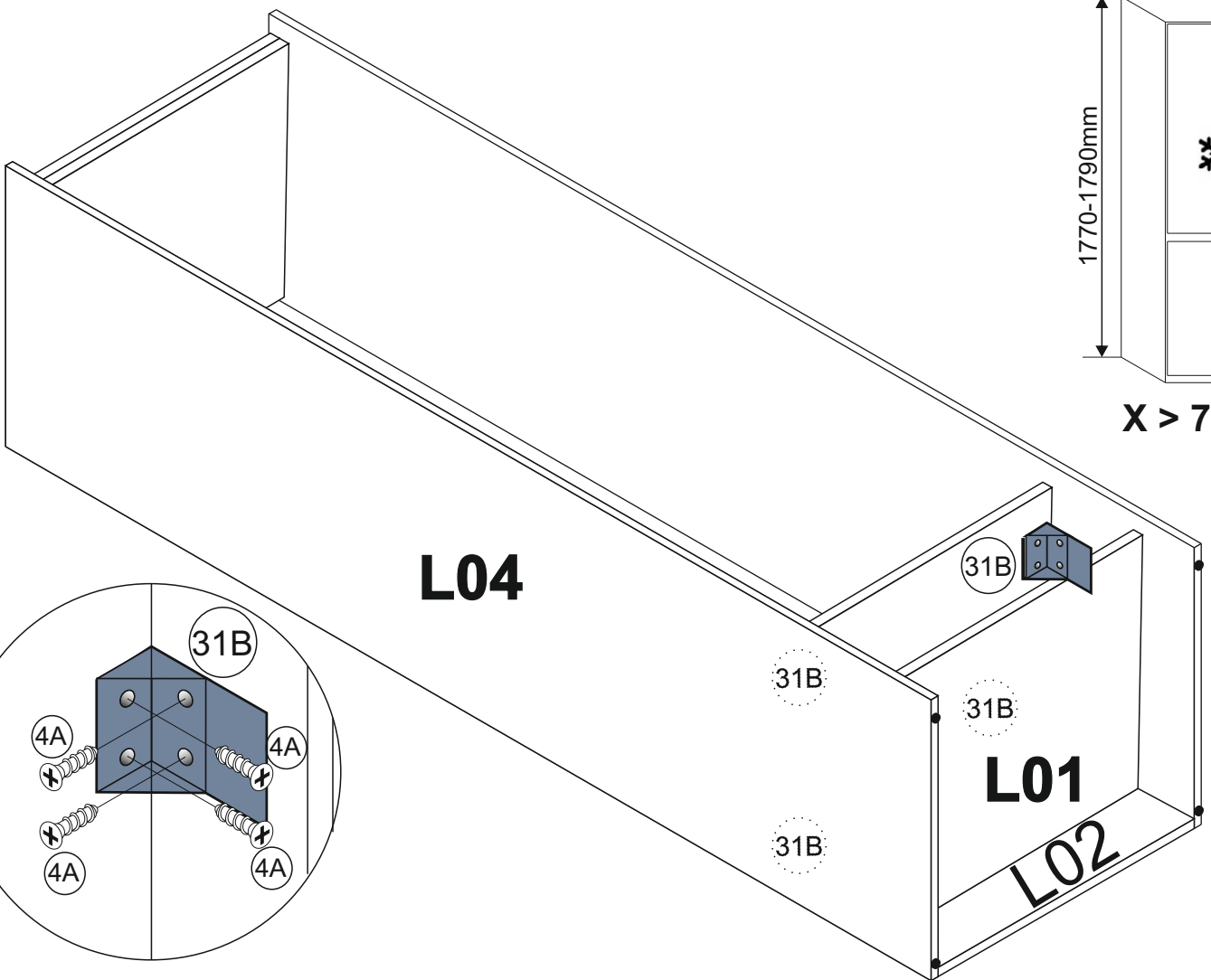


4

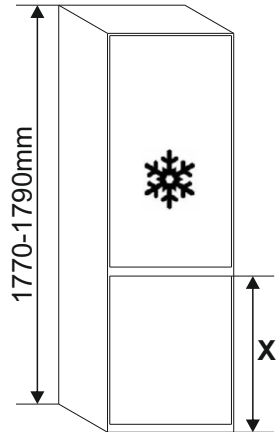


31 x3

5



OPTION 6



X > 718mm

# 6

## OPTION 6

