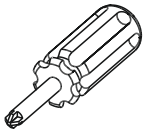
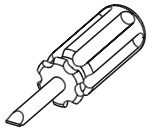
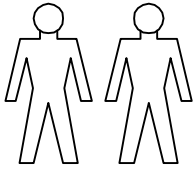
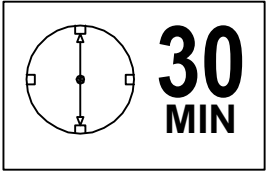
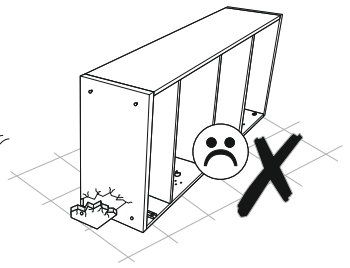
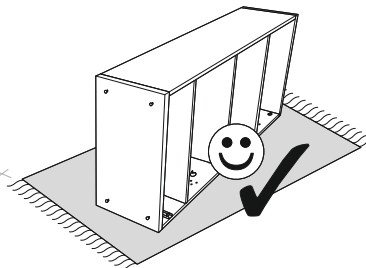
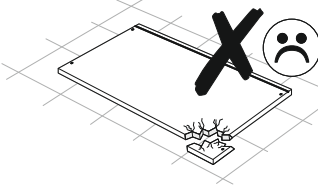
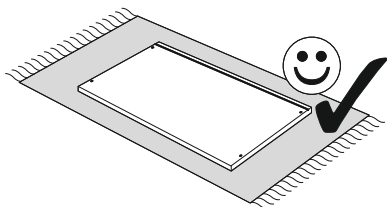
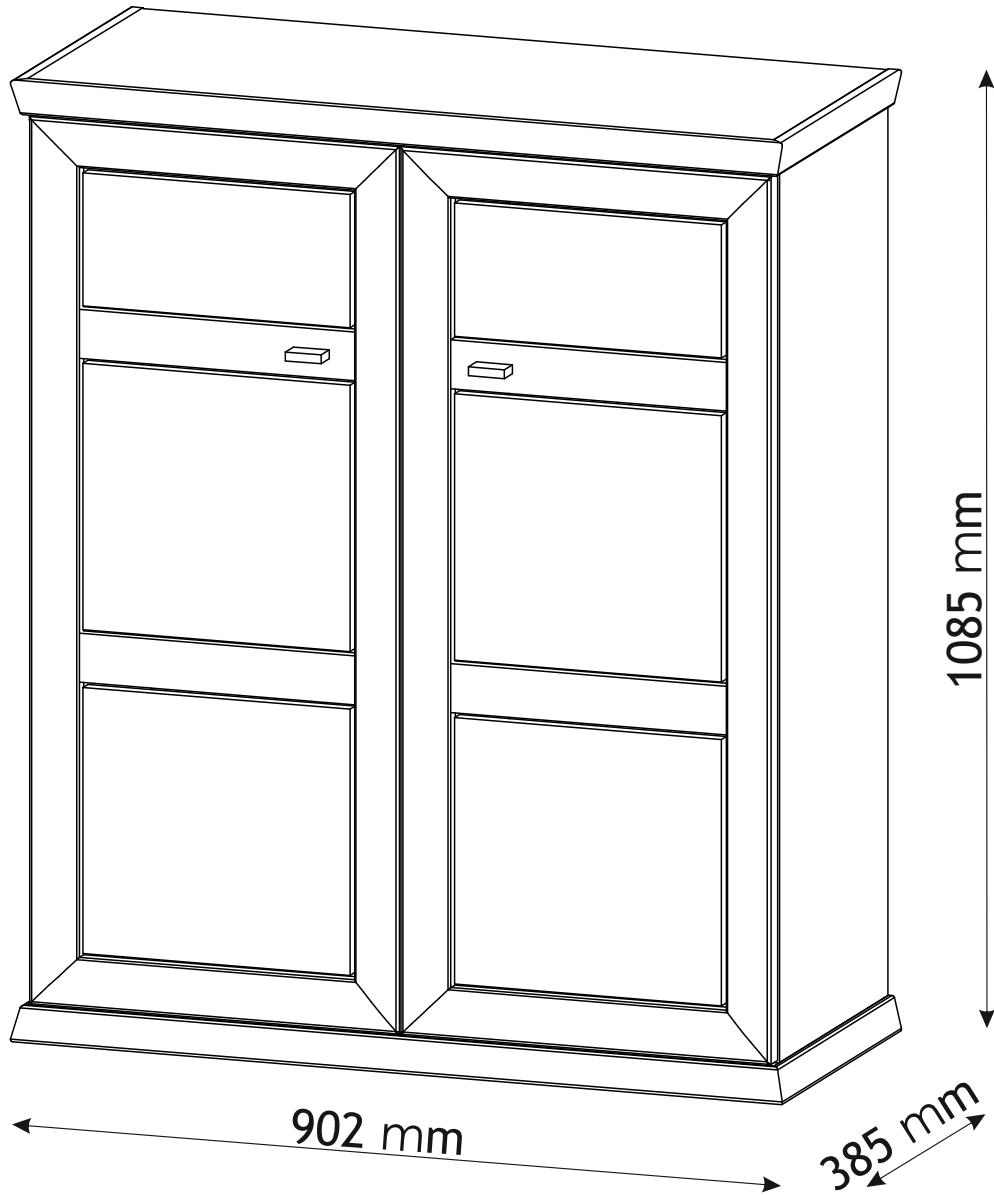



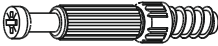

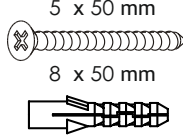
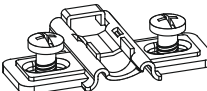
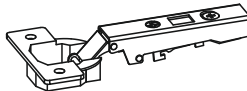


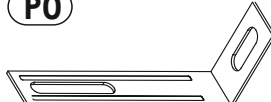
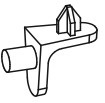

CAMRON/BENTON - SCHUHSCHRANK

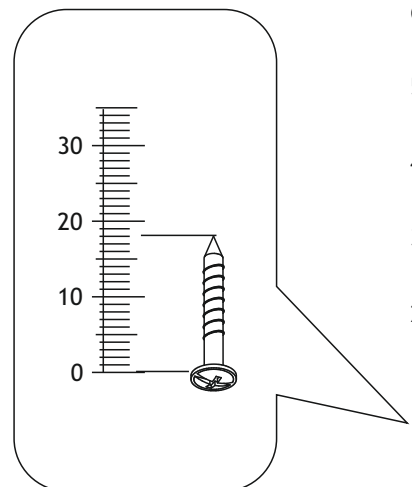
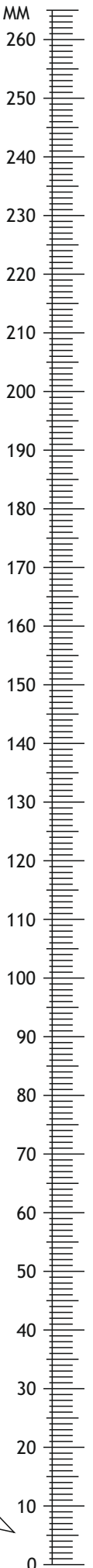


Ø8




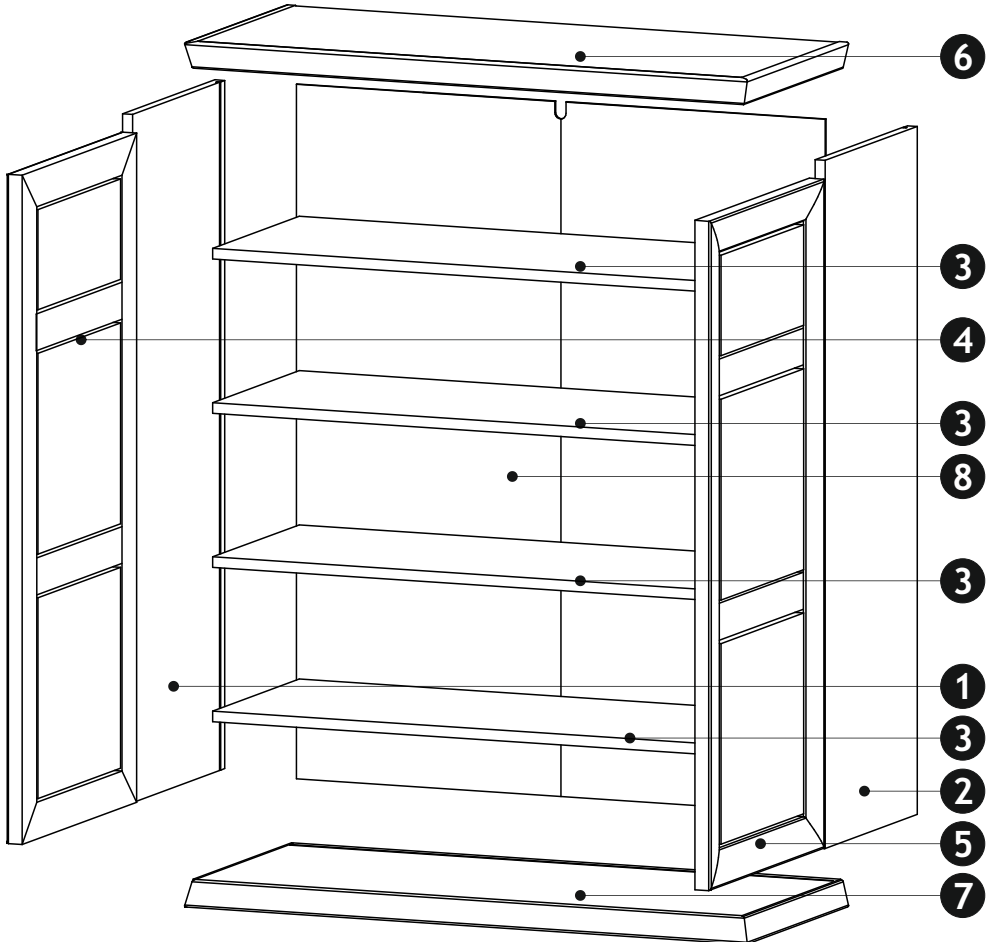
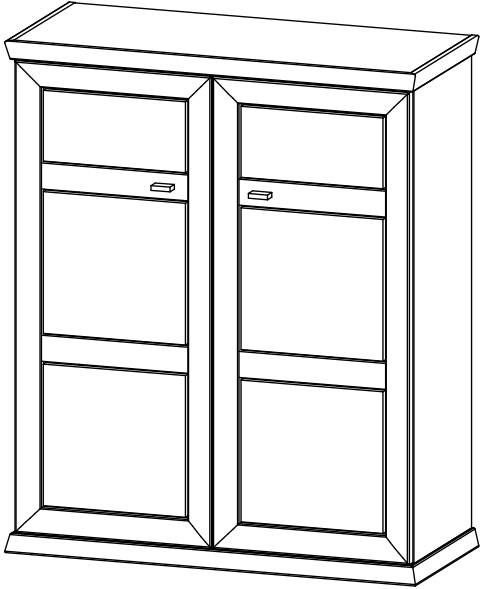
CAMRON/BENTON - SCHUHSCHRANK

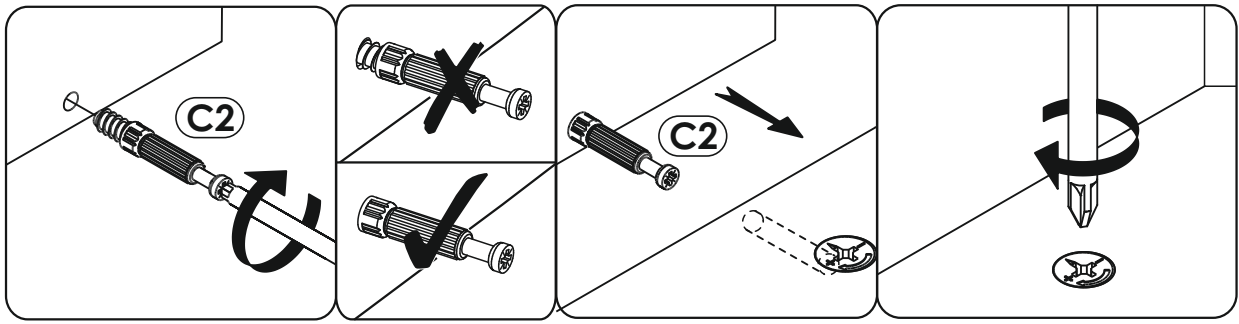
C0		x8	C2		x8	D0	3 x 15 mm		x16
D10	4 x 16 mm	x8	D21	5 x 13 mm	x1	E0	5 x 50 mm 8 x 50 mm		x1
H2	4 x 22 mm	x4	J3		x4	J10		x4	
L6		x2	M1		x16	P0		x1	
Q3		x16	U2		x4				



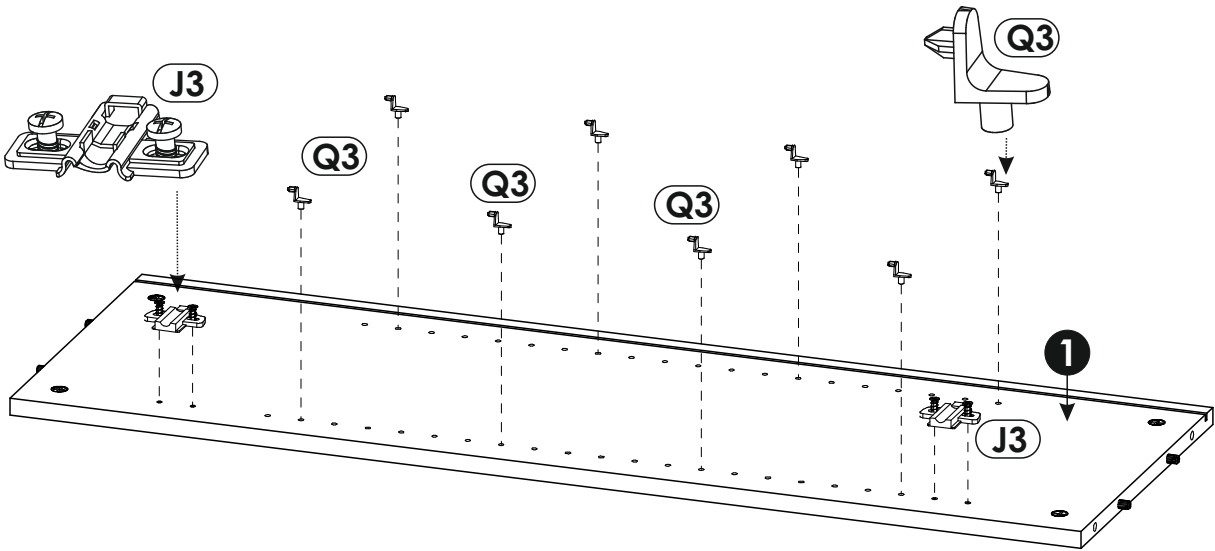
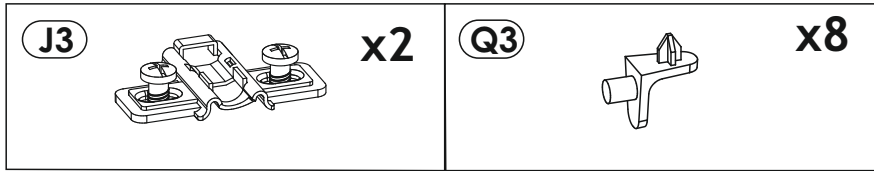
CAMRON/BENTON - SCHUHSCHRANK

1	1028	348	16	x1	1/3
2	1028	348	16	x1	1/3
3	838	328	16	x4	1/3
4	1000	432	25	x1	3/3
5	1000	432	25	x1	3/3
6	902	385	40	x1	2/3
7	902	385	40	x1	2/3
8	1038	848	2,8	x1	3/3
					1/3

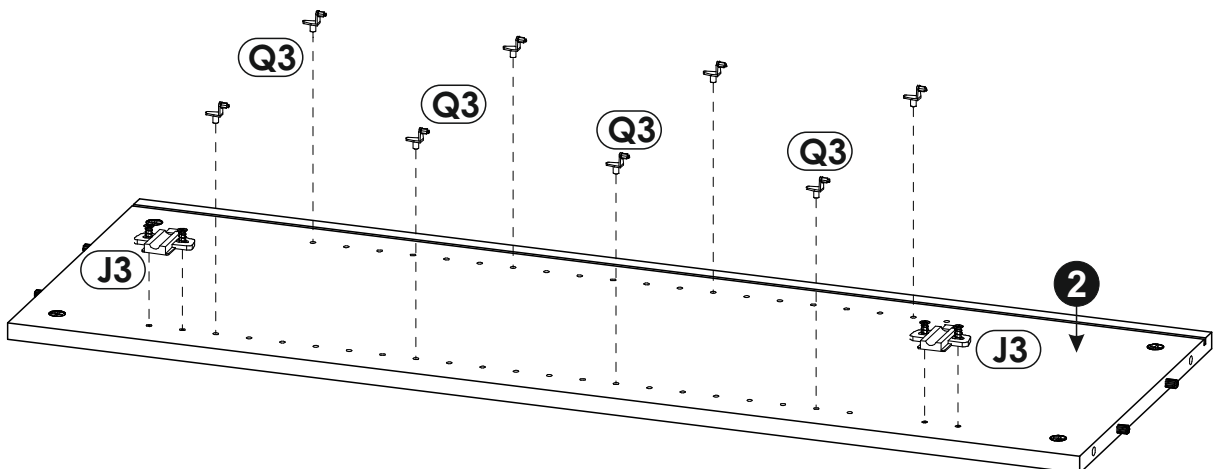
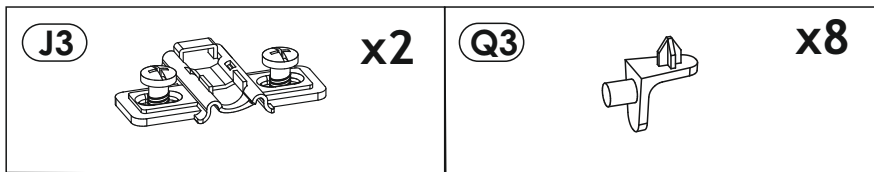






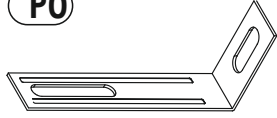
1 ▶

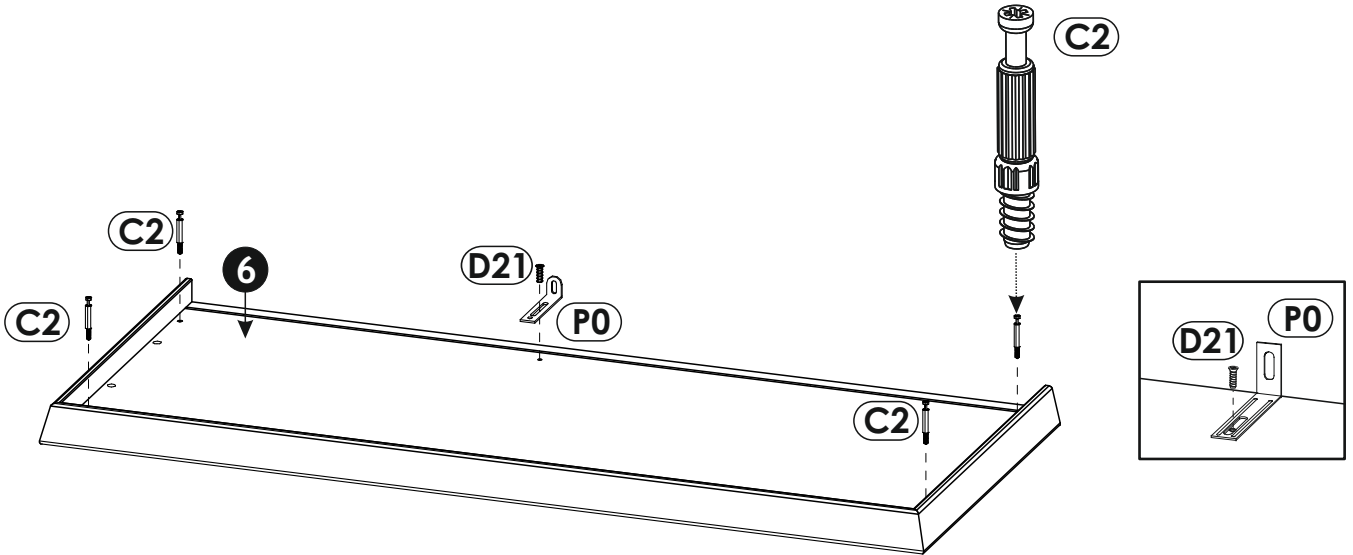


2 ▶





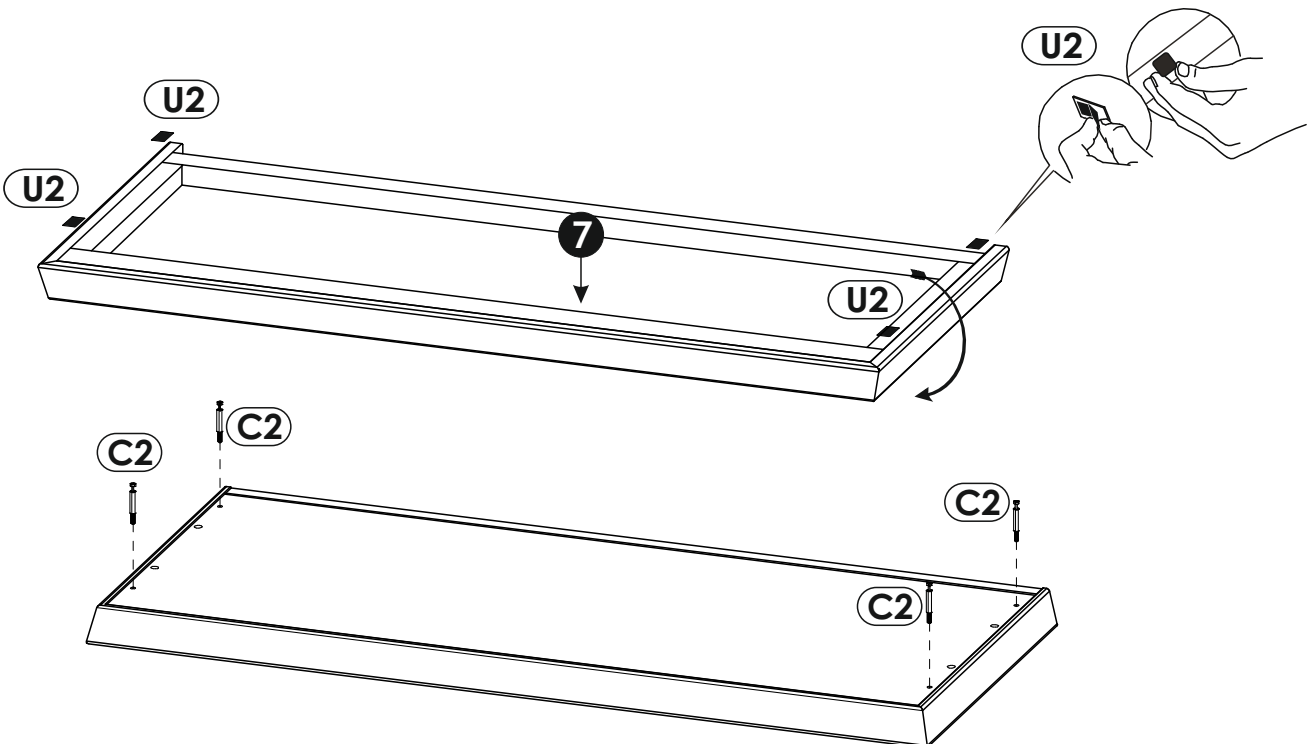
4 ▶

C2 	x4	D21 5 x 13 mm 	x1	P0 	x1
--	-----------	--	-----------	--	-----------



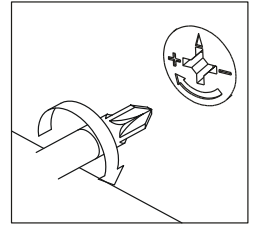
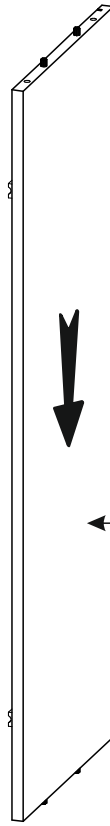
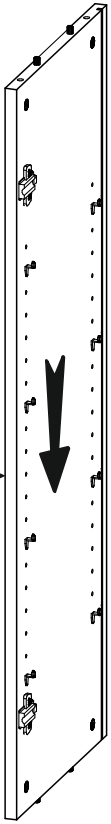
5 ▶

C2 	x4	U2 	x4
--	-----------	--	-----------



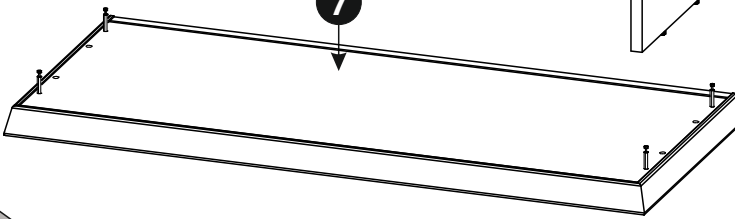
6 ▶

1 →



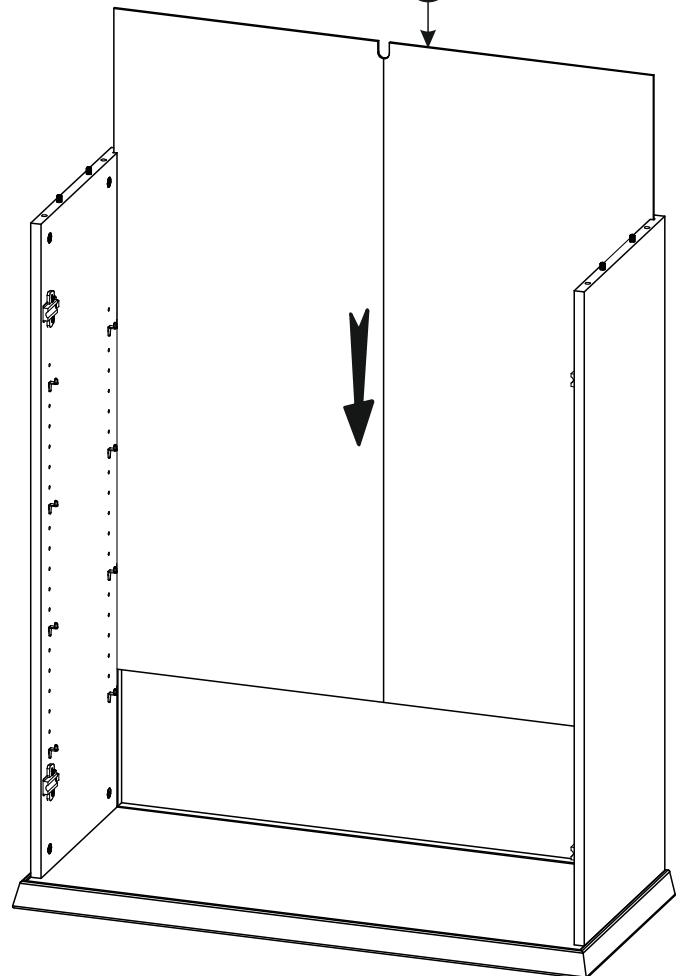
2 ←

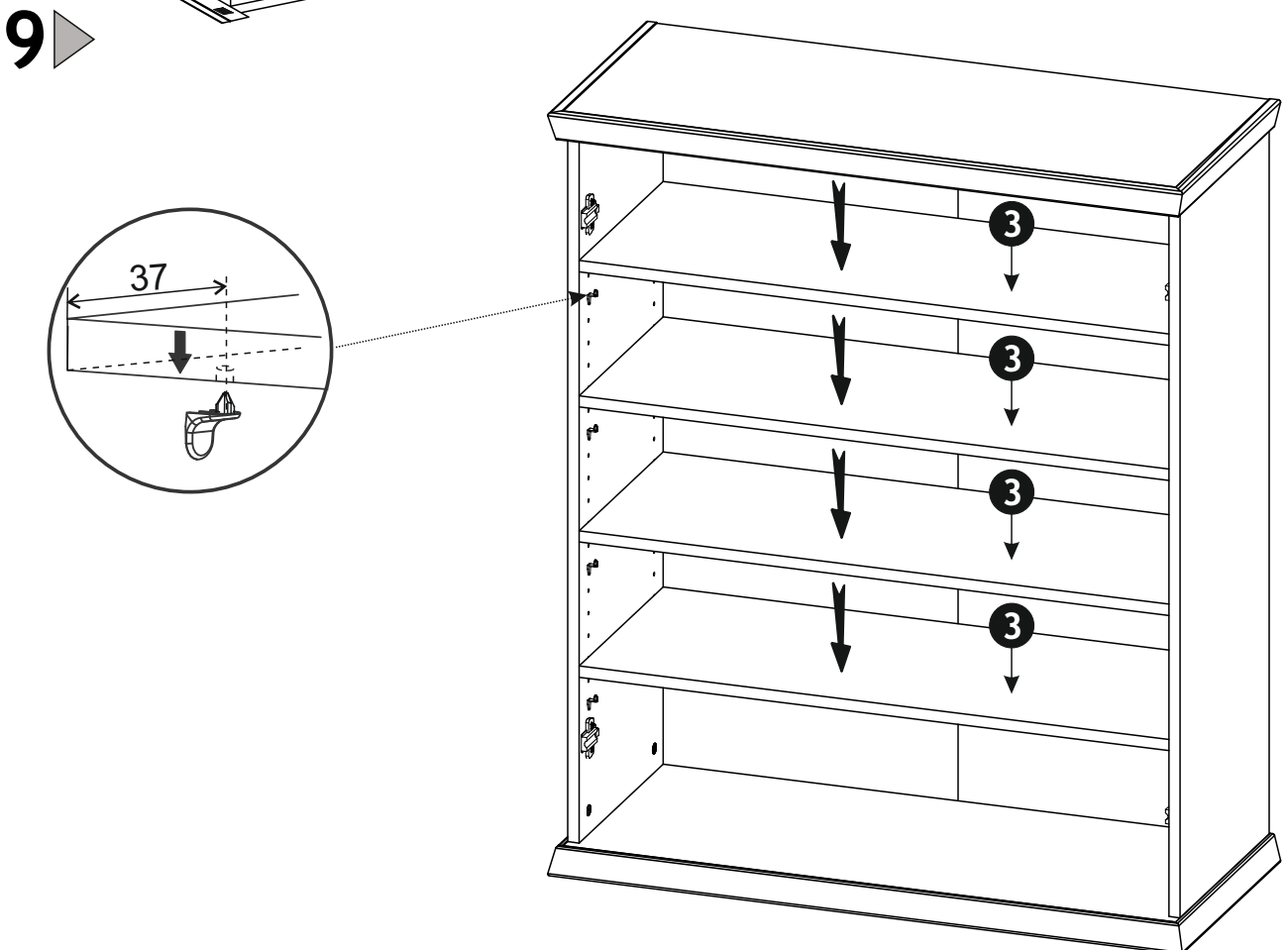
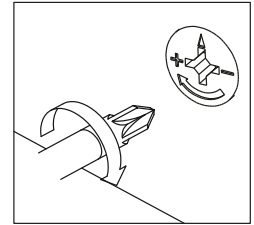
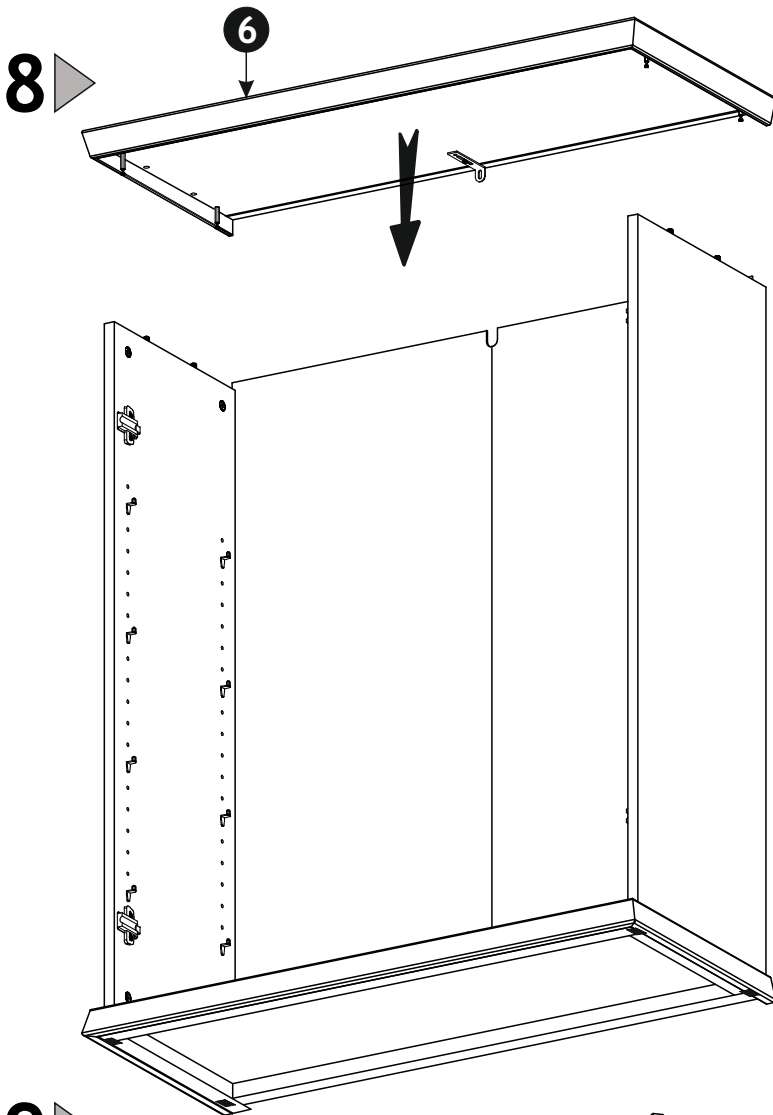
7 ↓





7 ▶

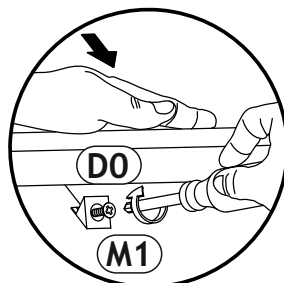
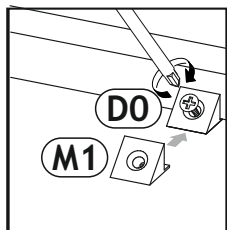
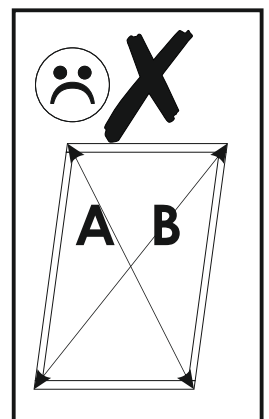
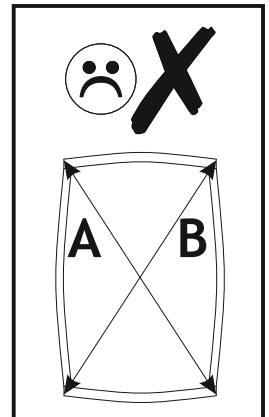
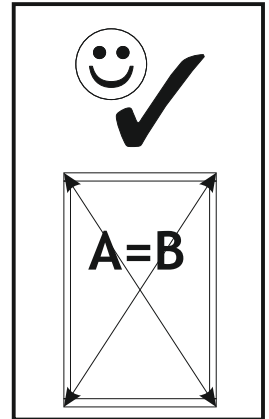
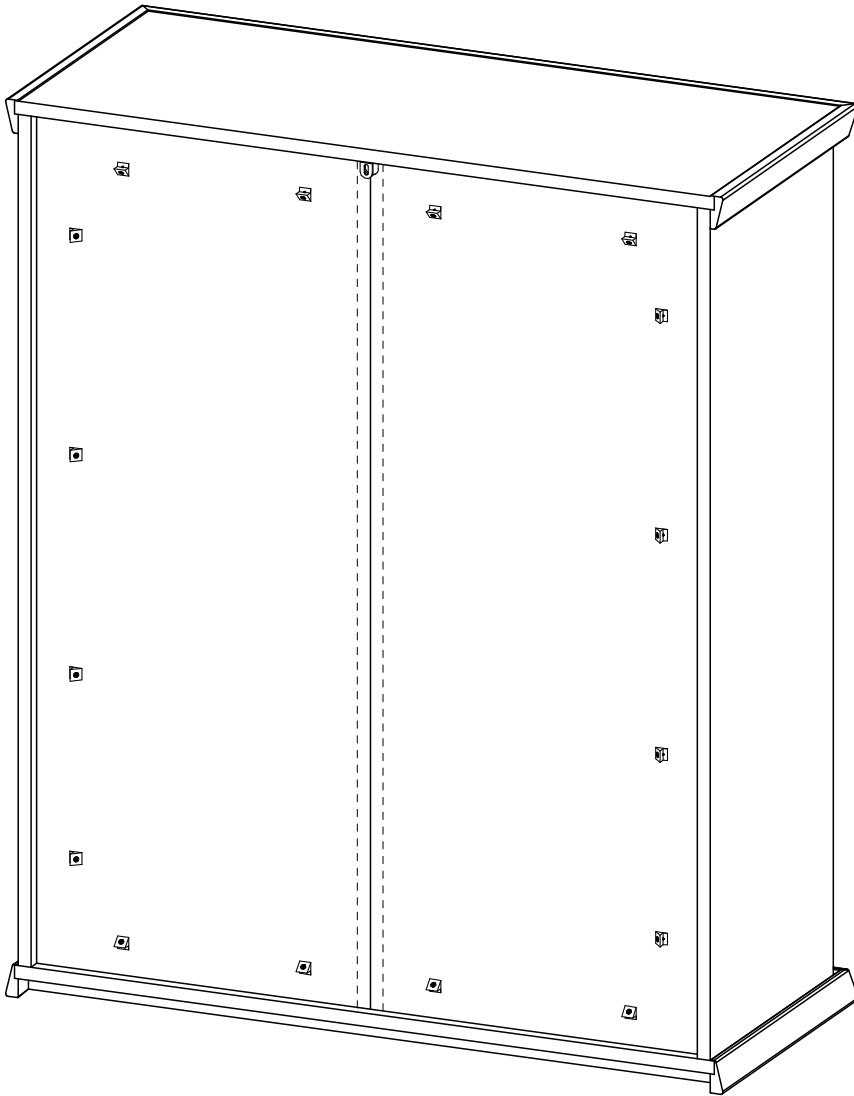
8 ↓



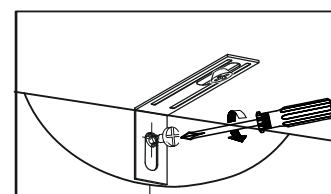
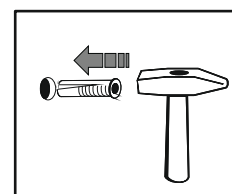
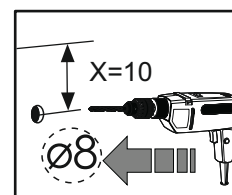
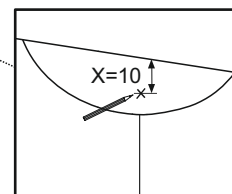
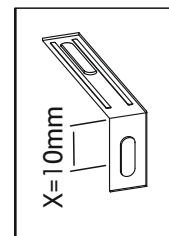
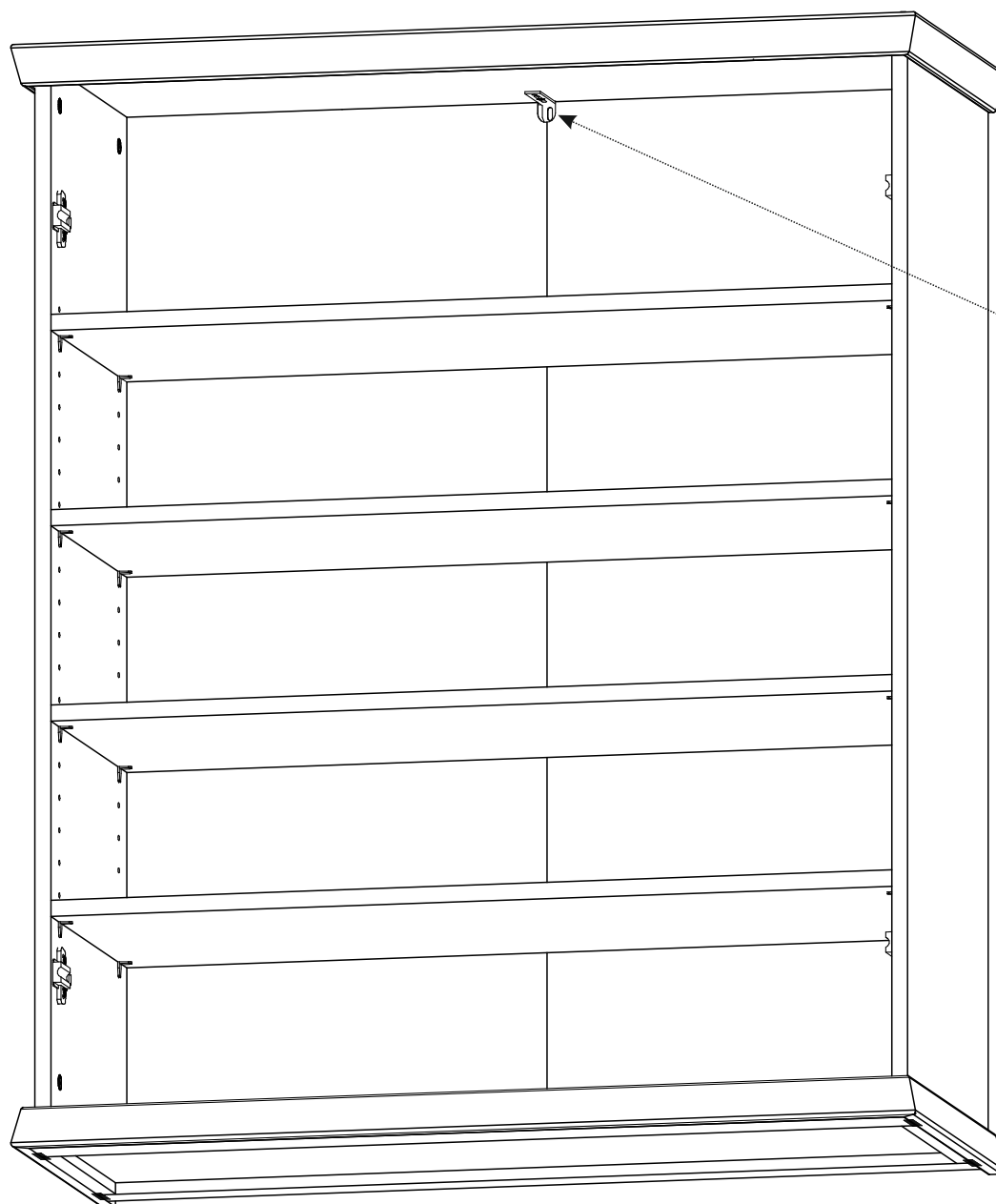
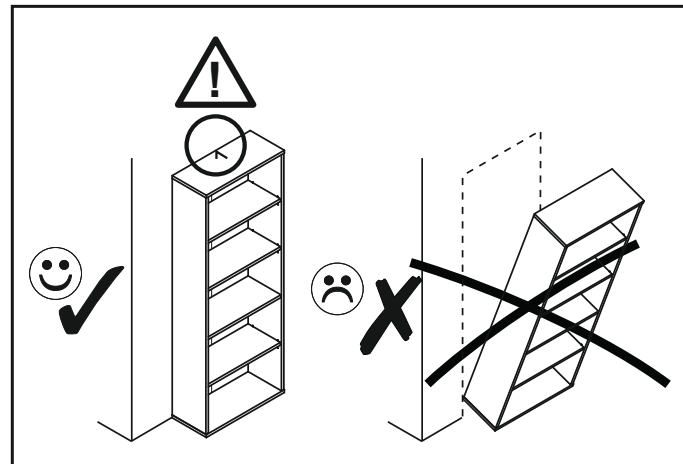
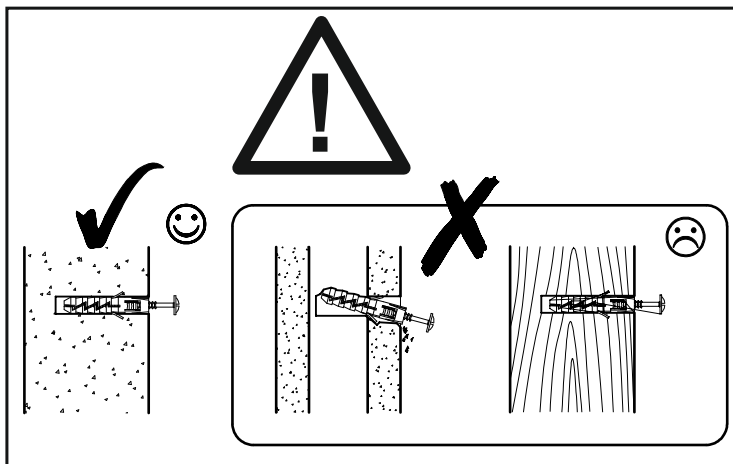
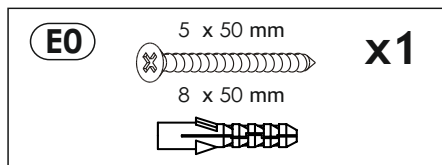


10 ▶

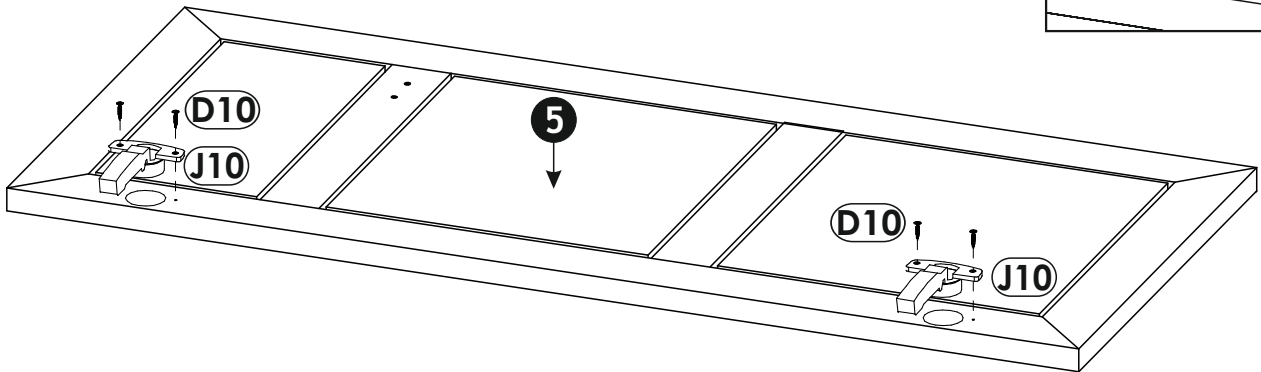
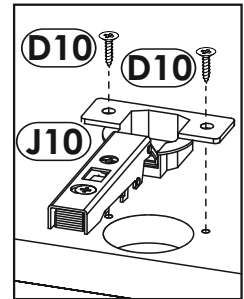
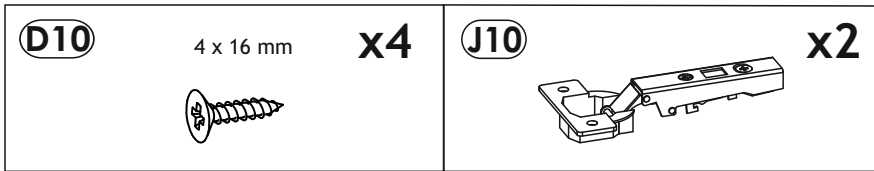
(D0) 3 x 15 mm 	x16	(M1) 	x16
---	------------	--	------------



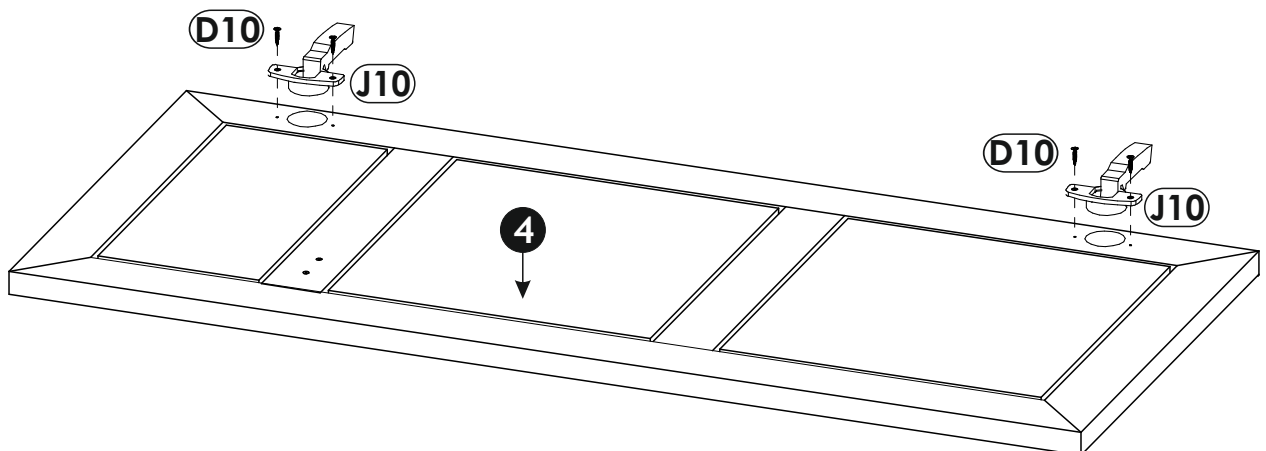
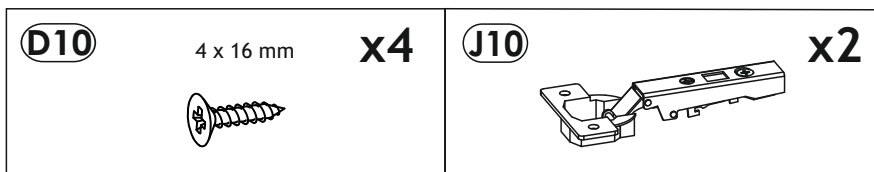
11 ▶



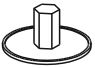


12 ▶



13 ▶



14 ▶

<p>(C0)</p>  <p>x8</p>	<p>(H2)</p> <p>4 x 22 mm</p>  <p>x4</p>	<p>(L6)</p>  <p>x2</p>
---	--	---

