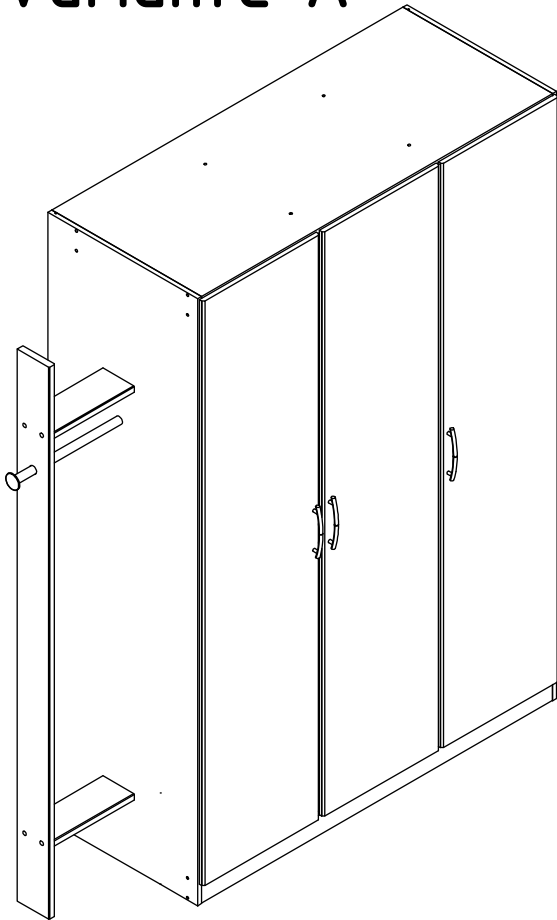
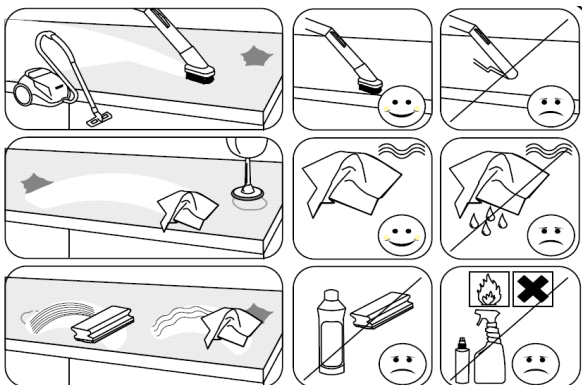
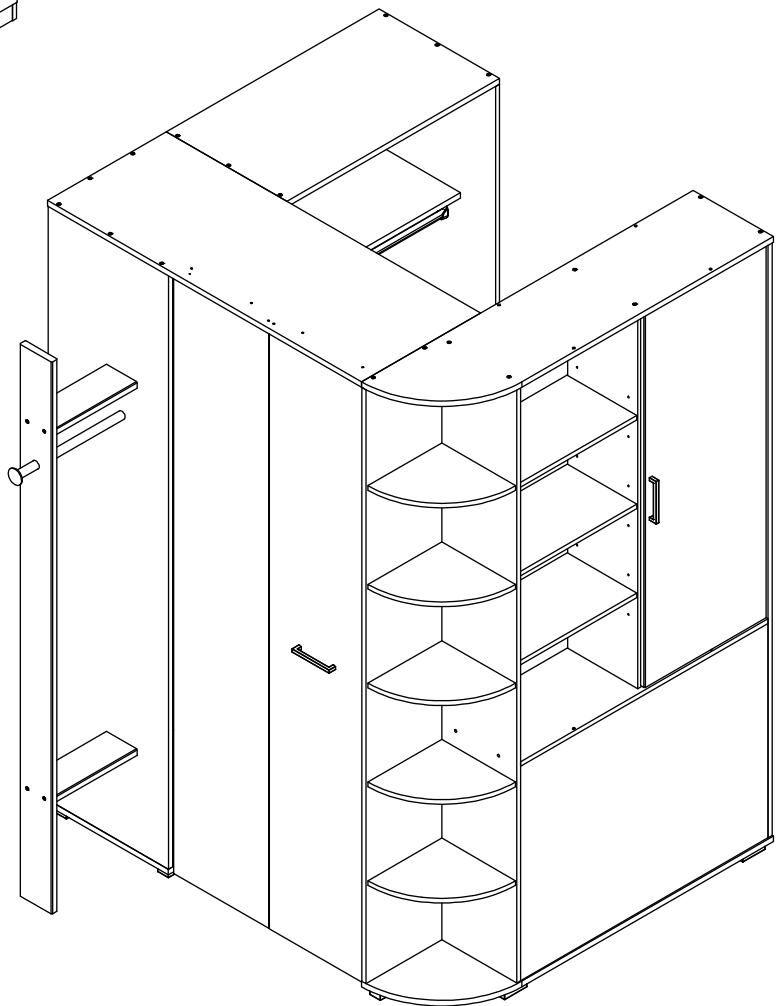
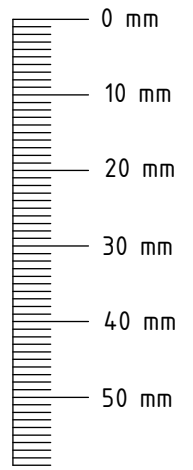
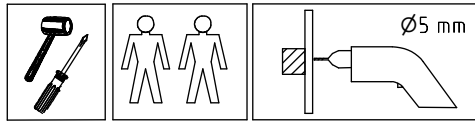


## Variante A

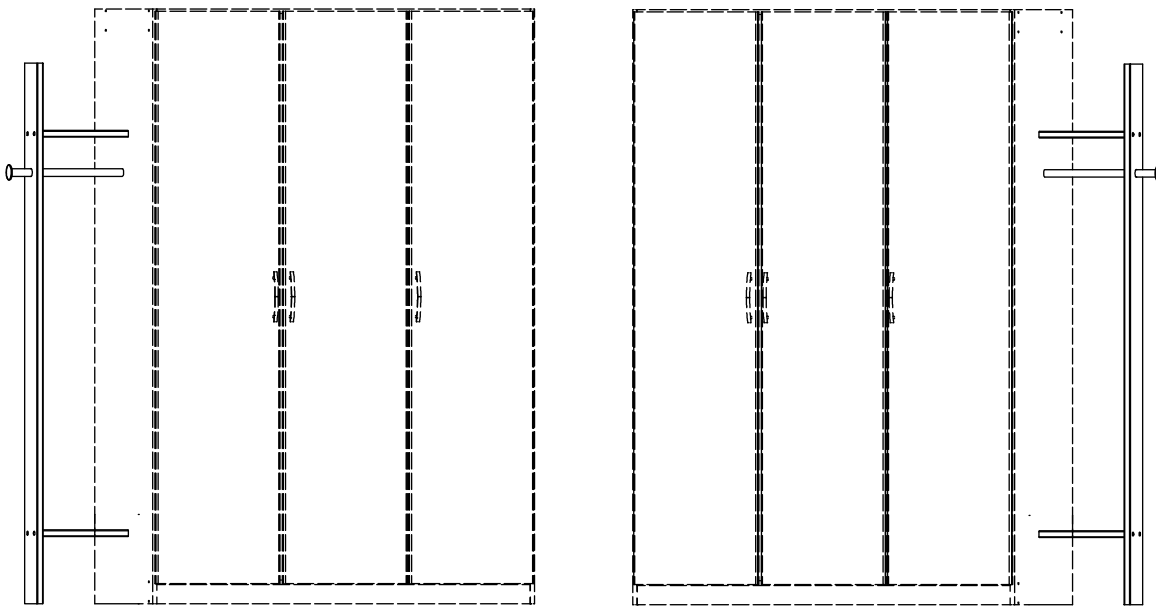



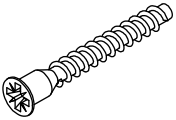


## Variante B

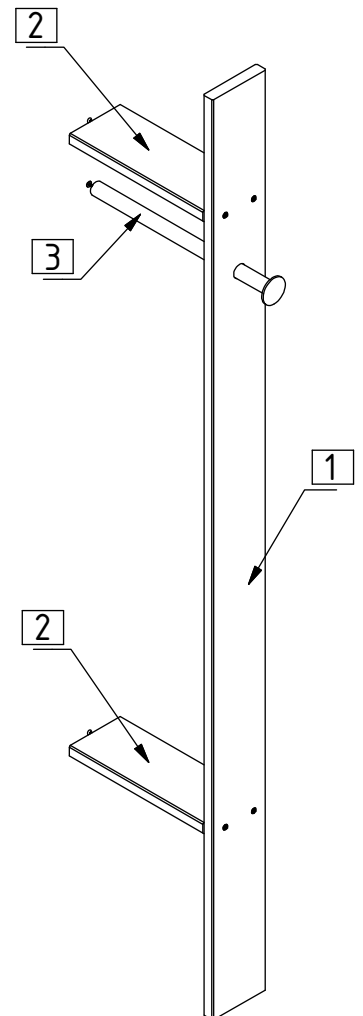


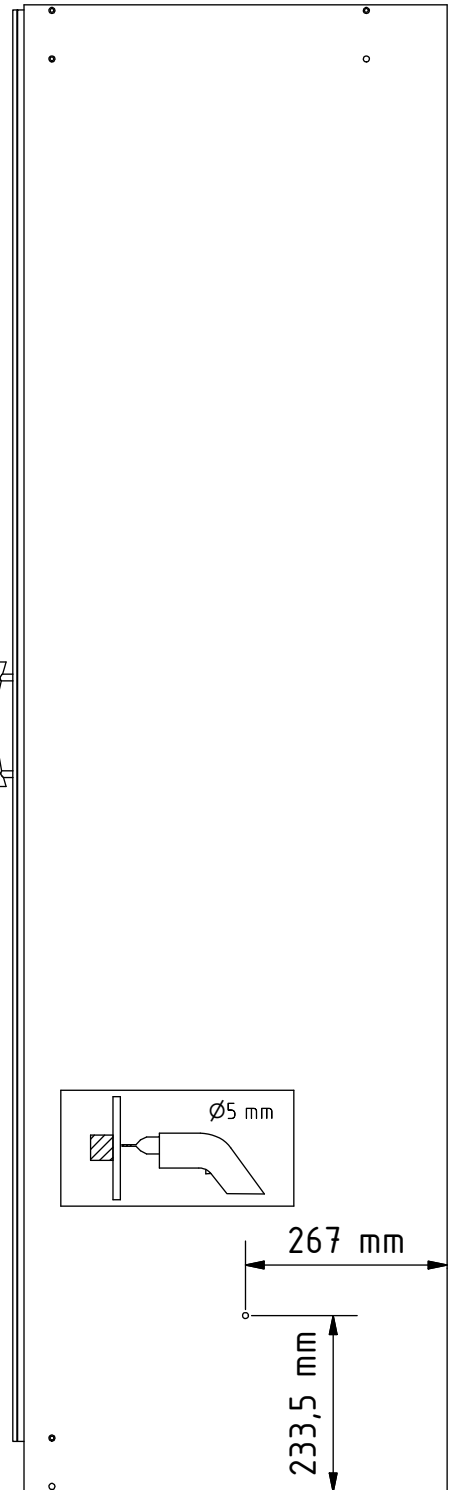
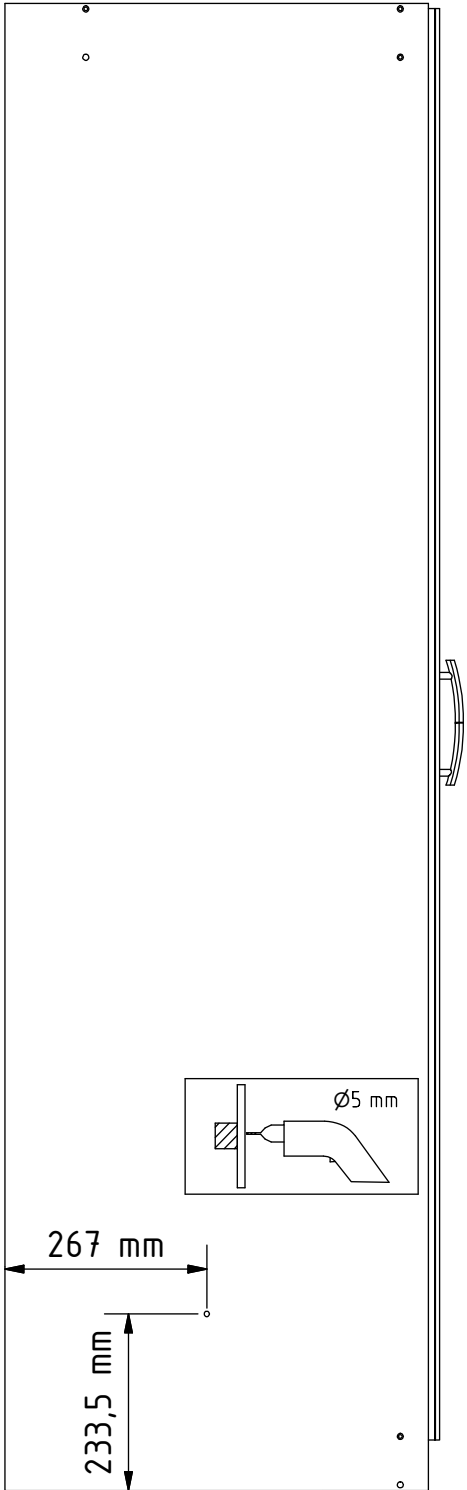
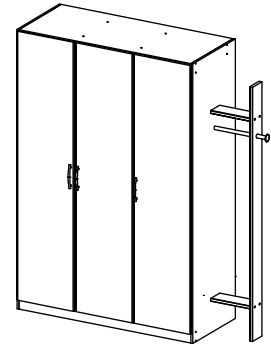
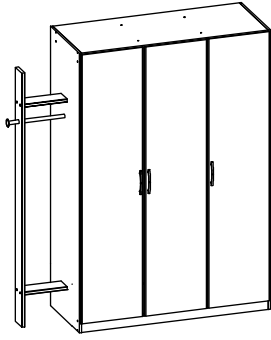


# Variante A

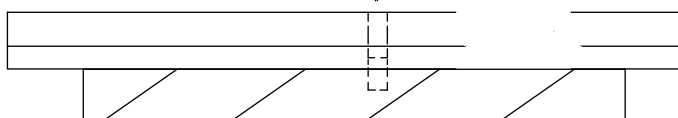


102	4 x		6,3x50 mm
320	4 x		3x15 mm
374	2 x		4,5x80 mm
417	1 x		M4x60 mm

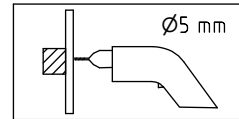
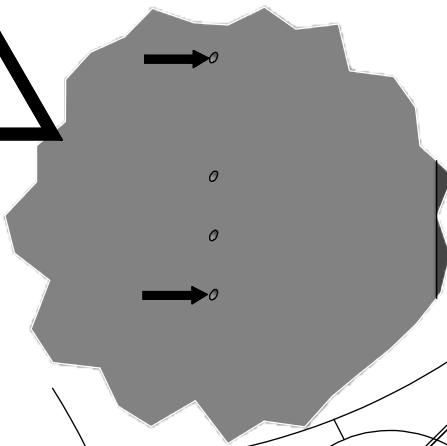




Ø5mm

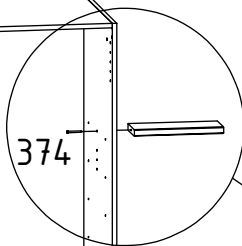
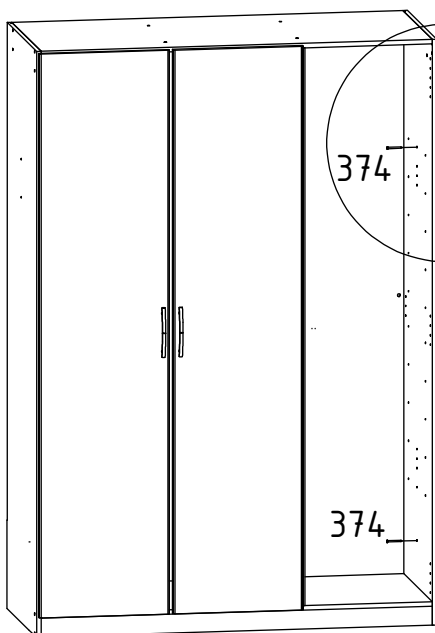
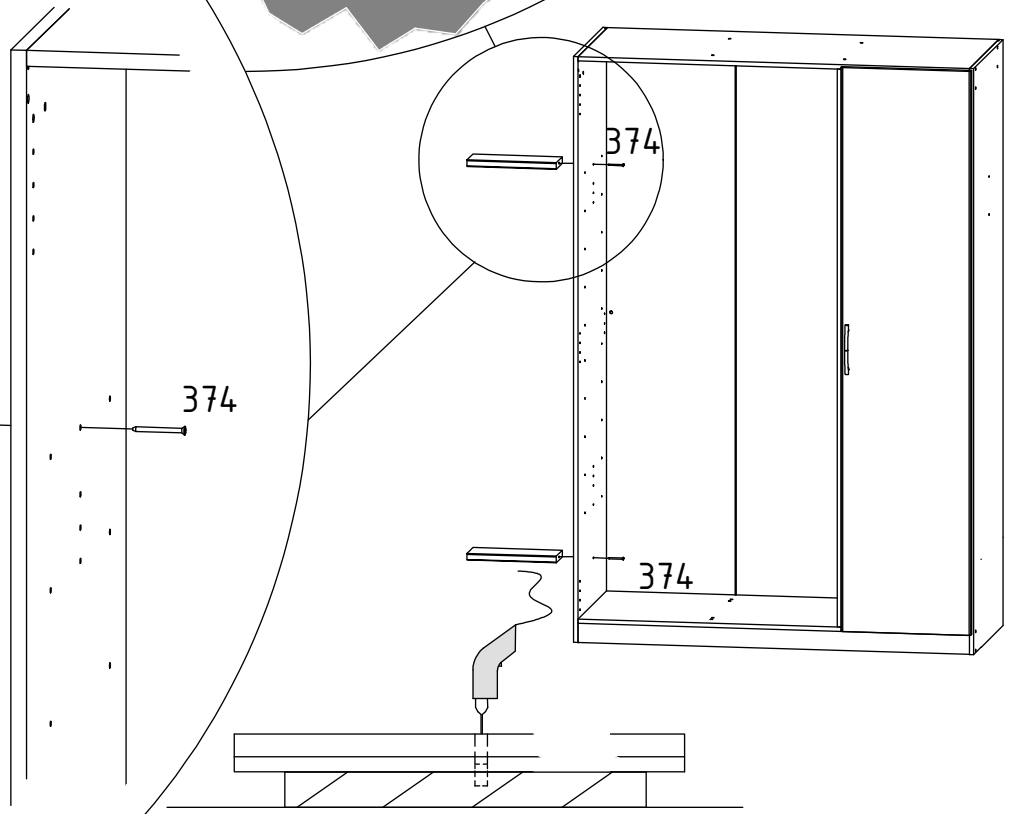


1.



2.

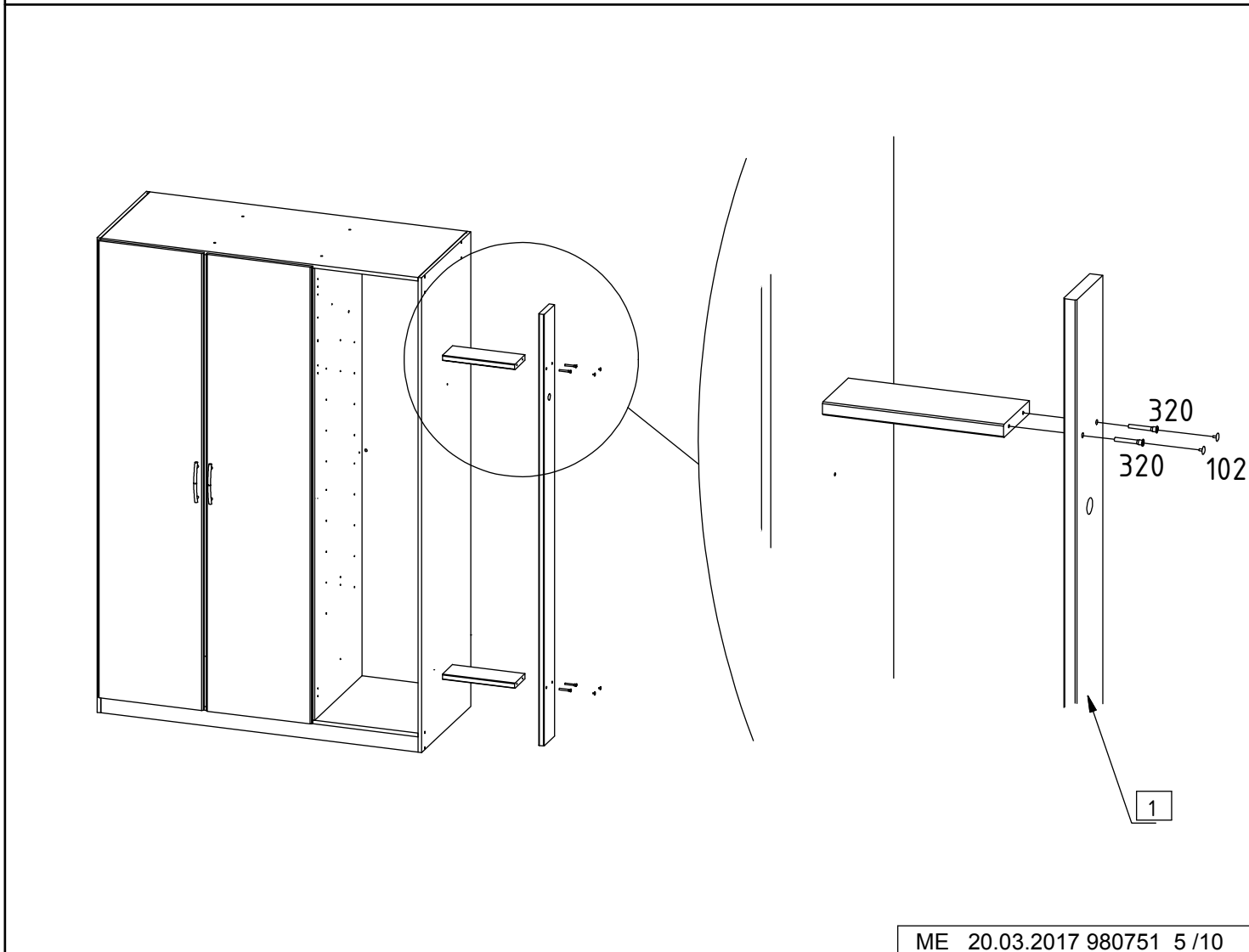
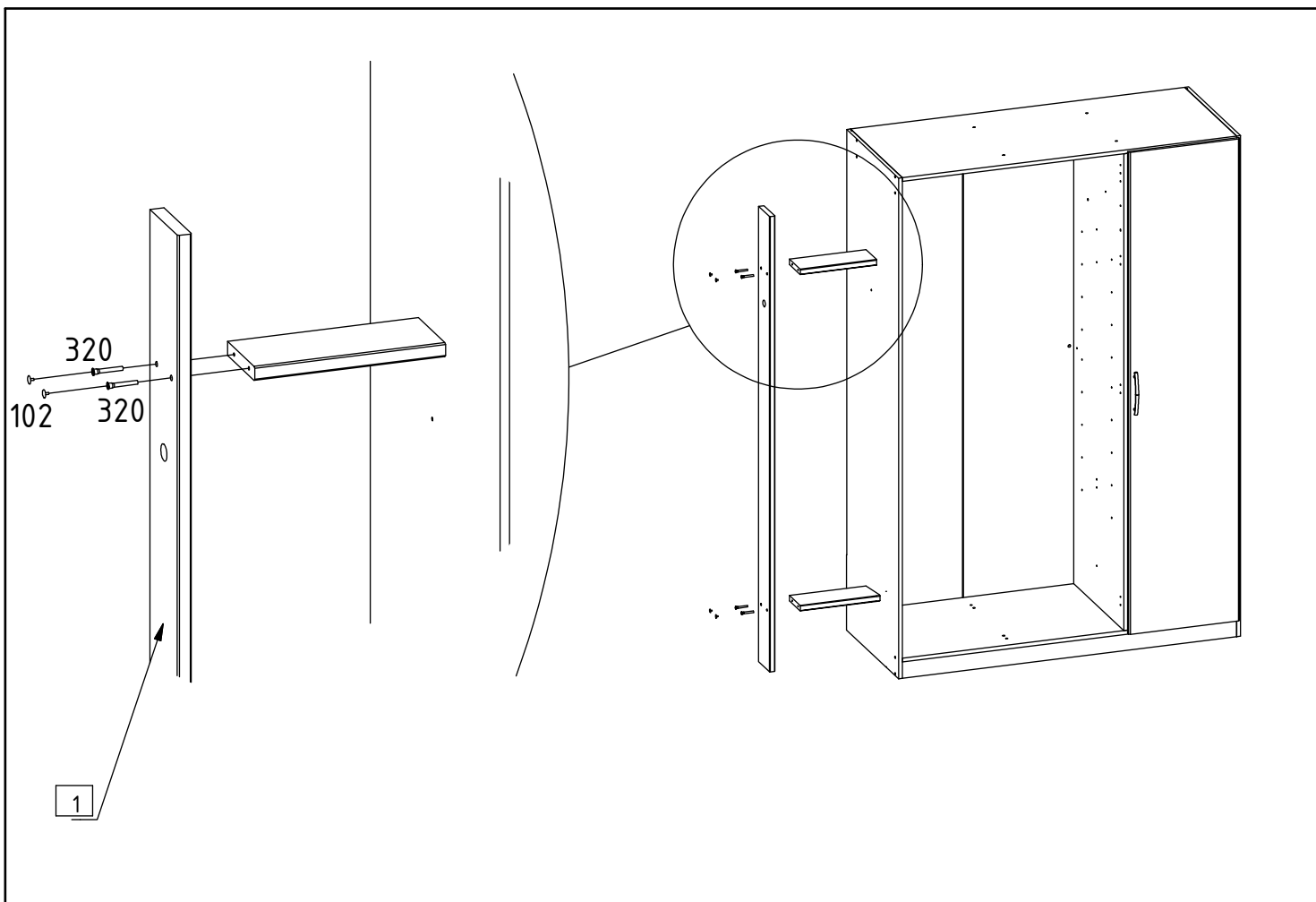
2

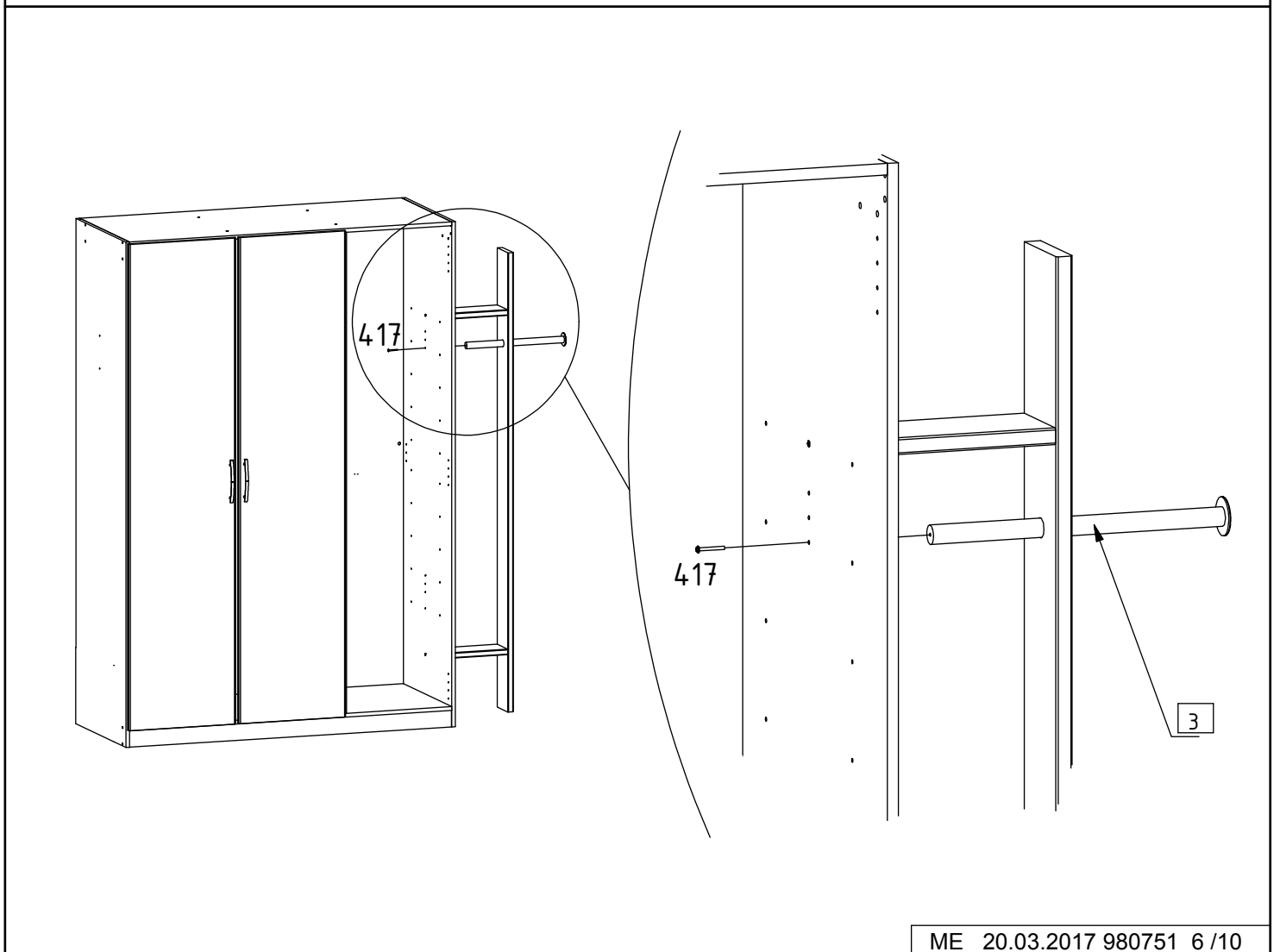
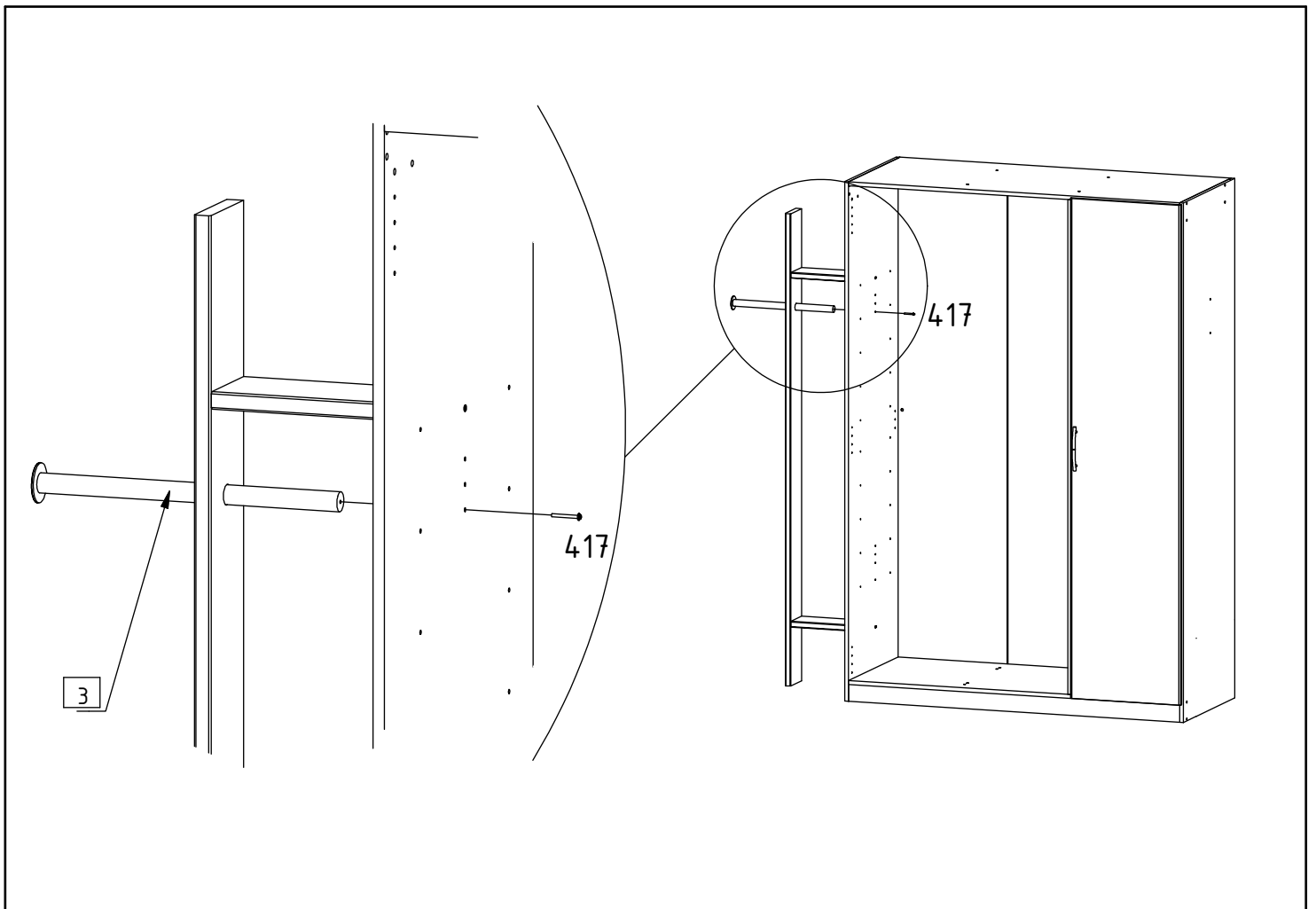


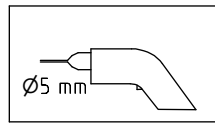
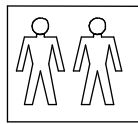
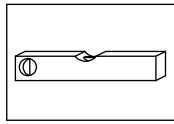
374

2

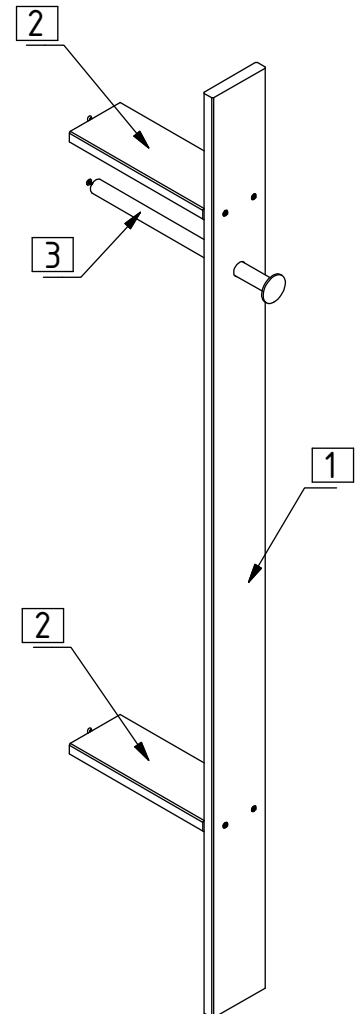
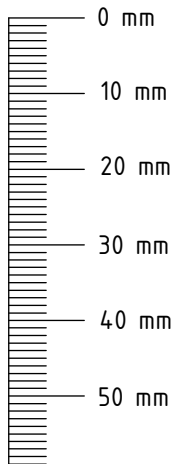
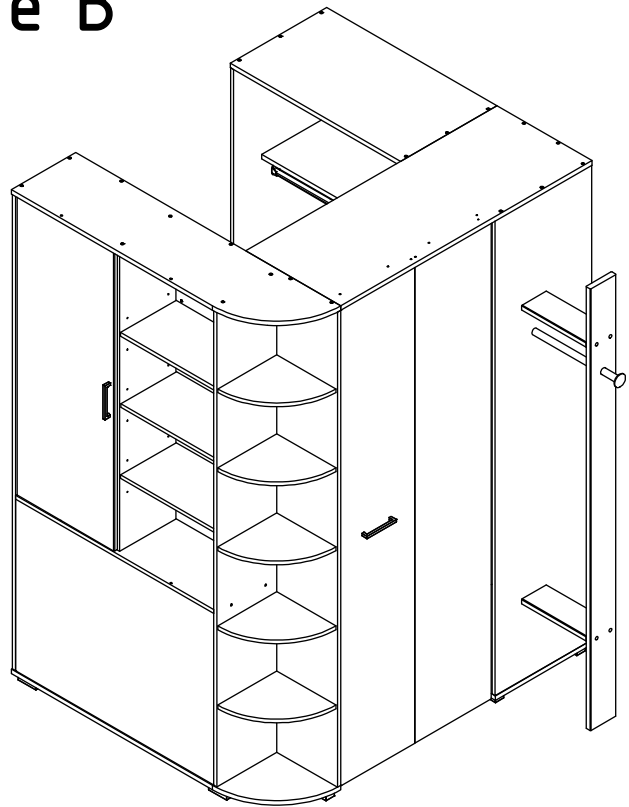
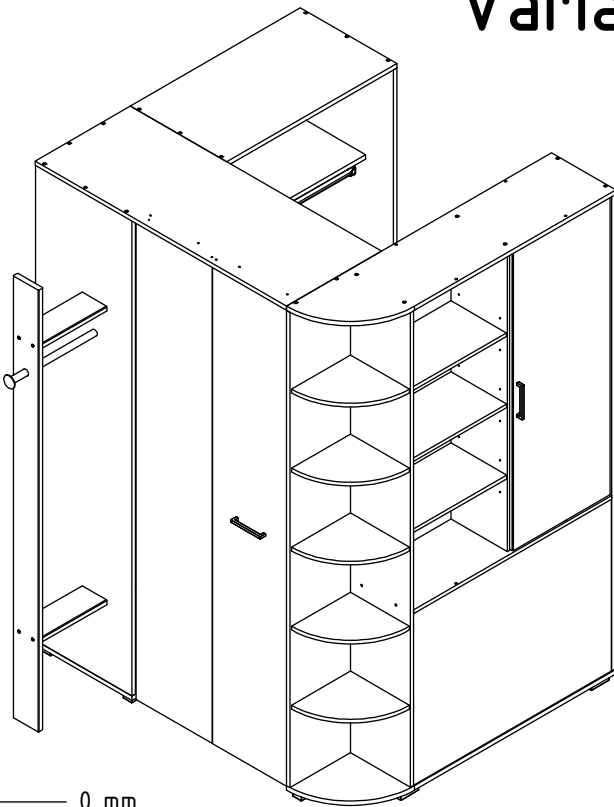




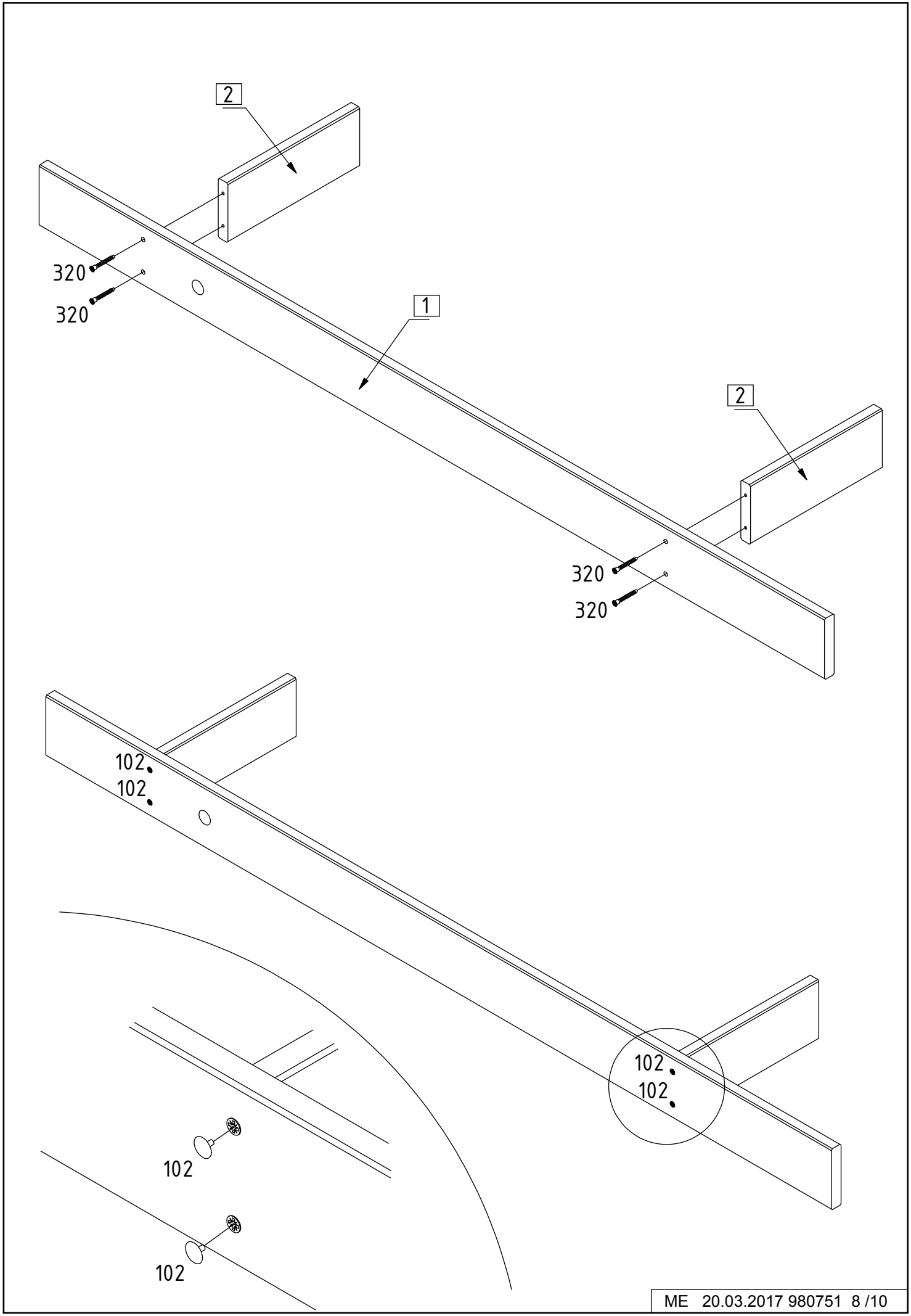




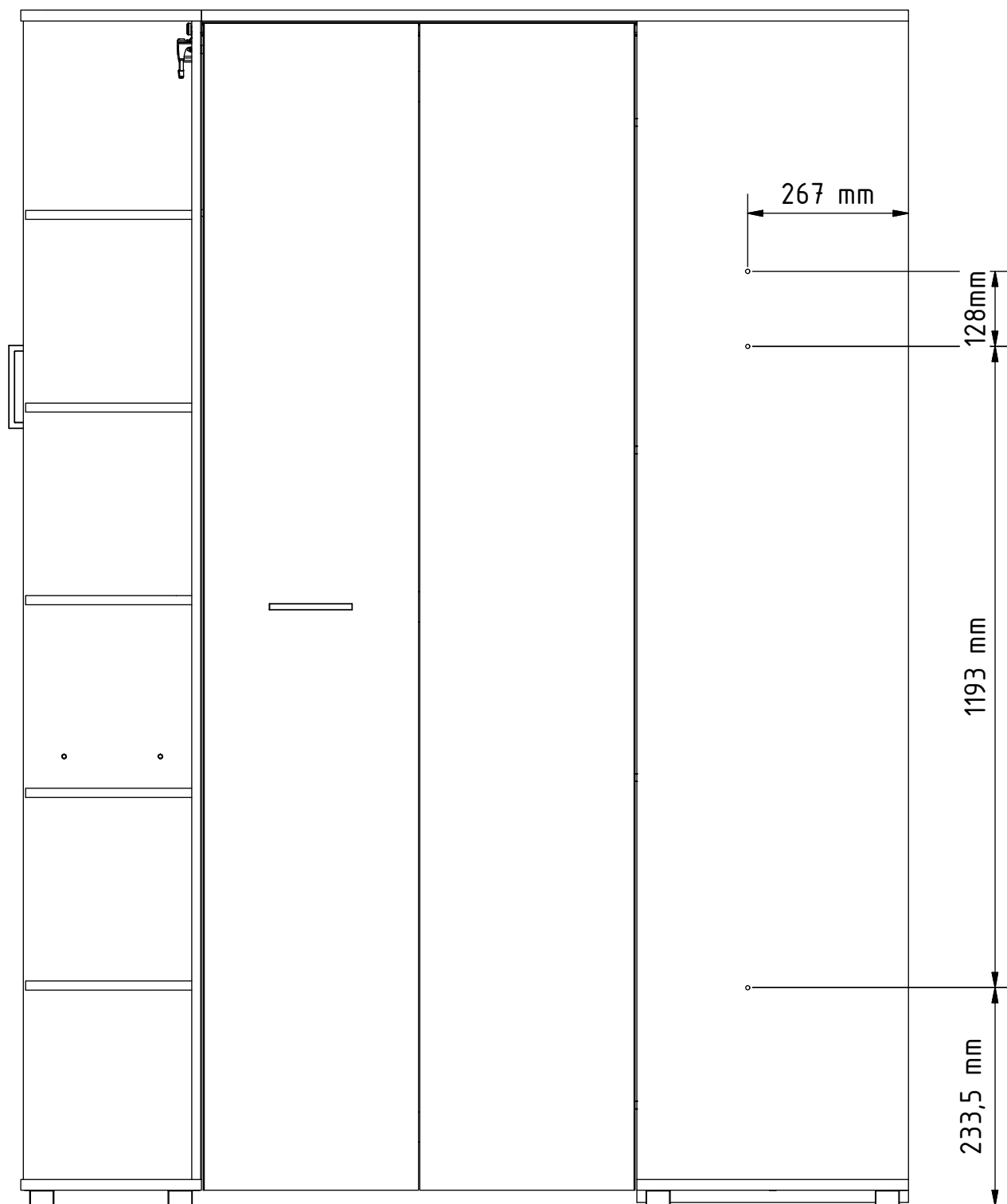
# Variante B



102	4x	
320	4x	6 x 50mm
374	2x	4,5 x 80mm
417	1x	M4 x 60mm







Ø5mm

