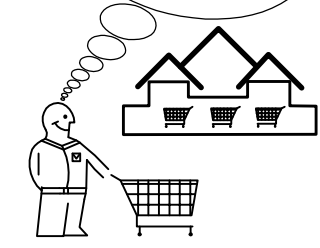
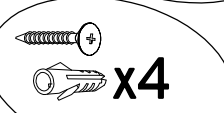
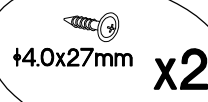
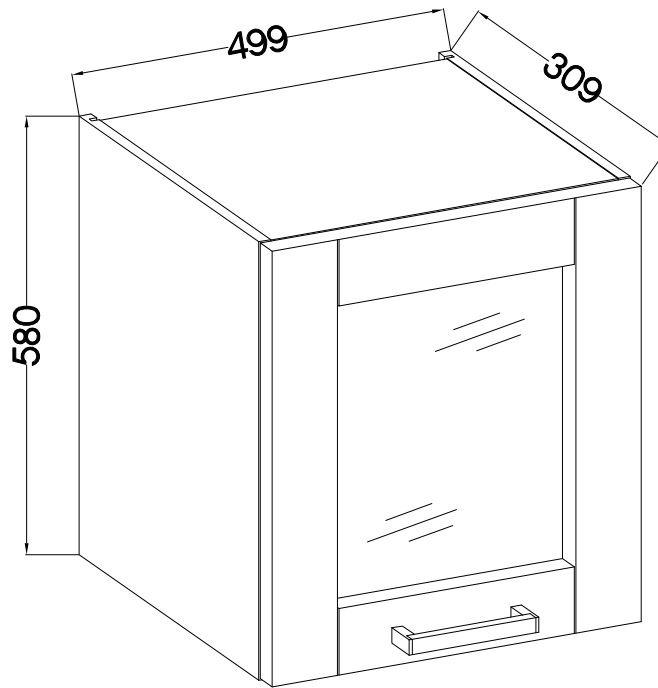


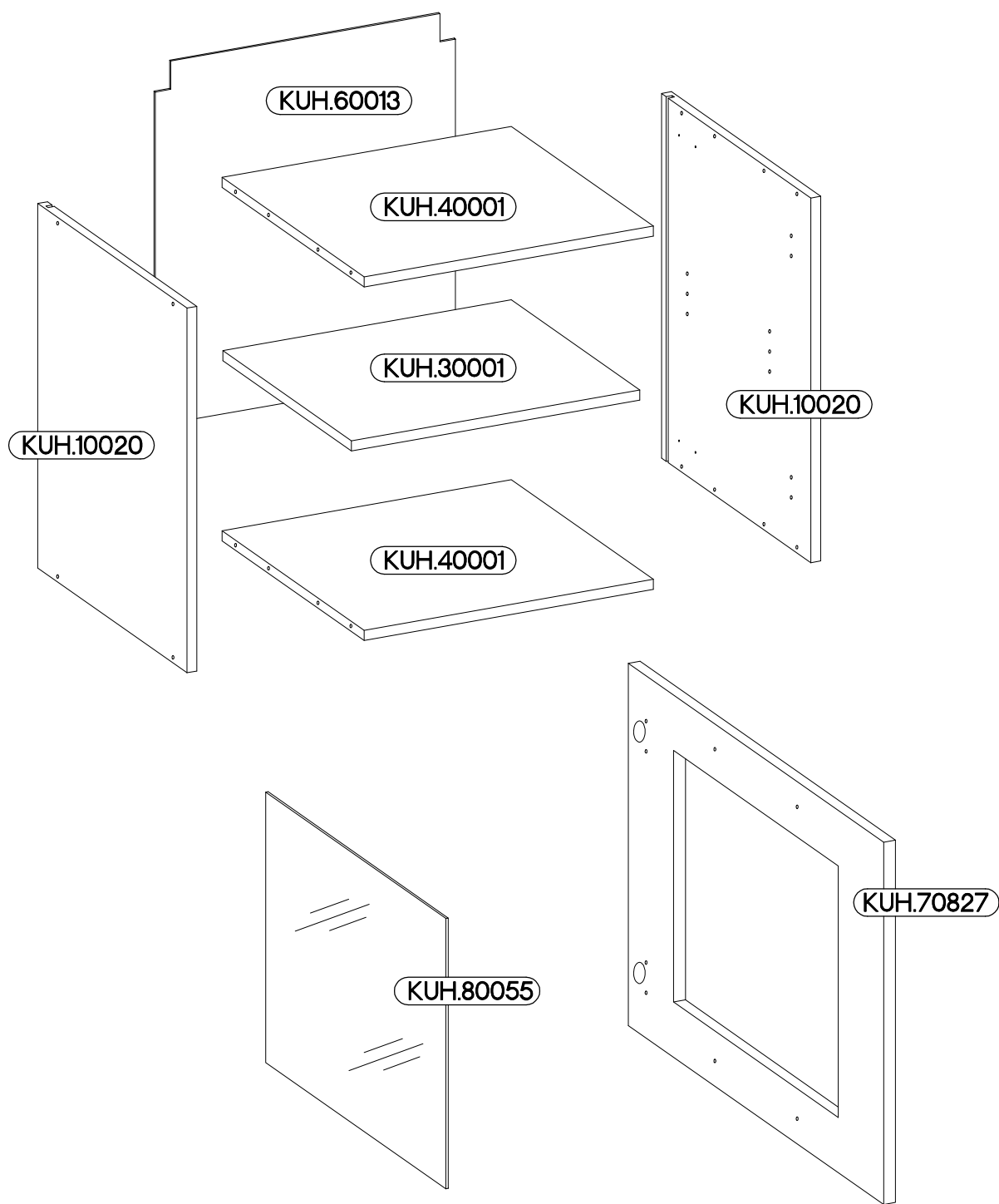
HG 50

00020010-21

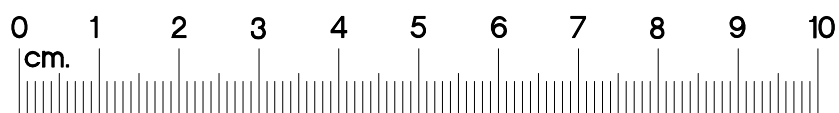
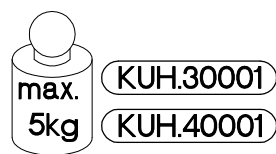


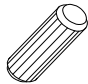


 A 8	 B 8	 E1 8	 HG 2	 J 4	 J8 6	 K 2	 K16 2
 O 1	 P5 4	 P7 10	 P8 4	 P11 6	 S 1	 U8 2	

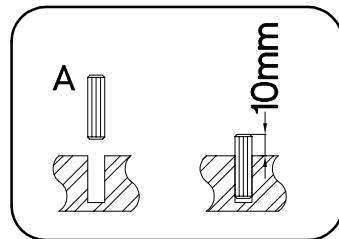
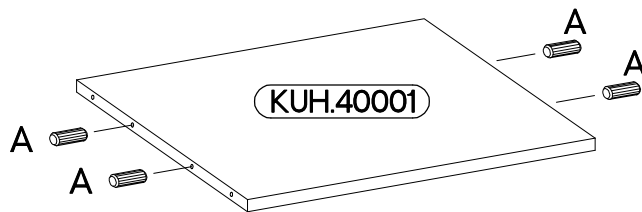
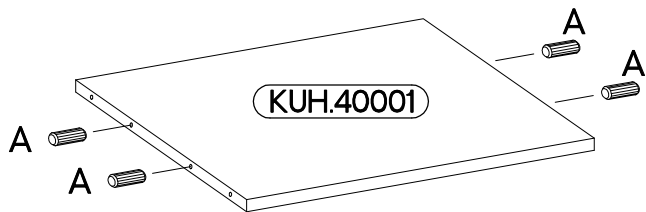
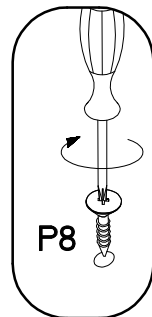
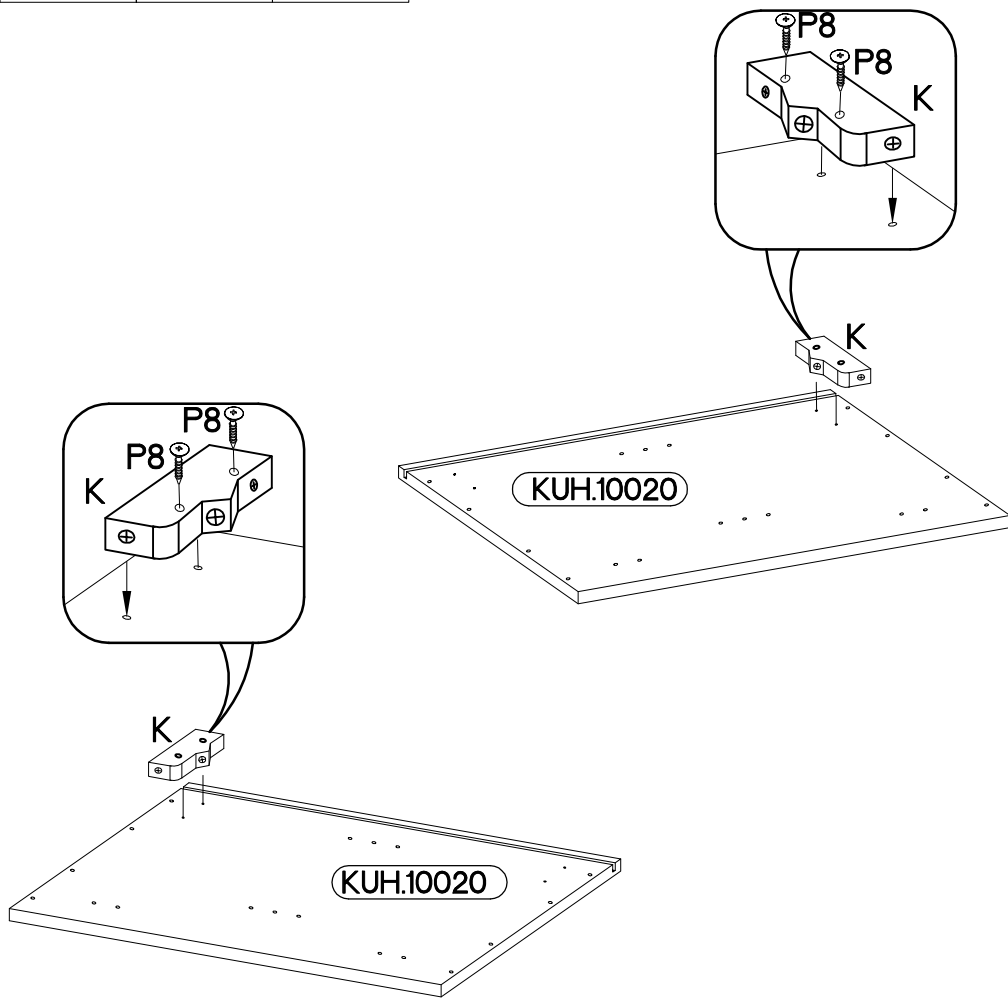
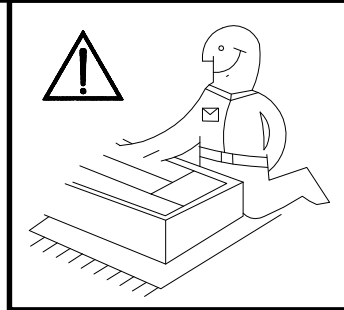
ISM-KUH-01227



KUH.10020 x2	580x290x16
KUH.30001	466x250x16
KUH.40001 x2	467x276x16
KUH.60013	576x485x2,5
KUH.70827	576x496x19
KUH.80055	430x350x4

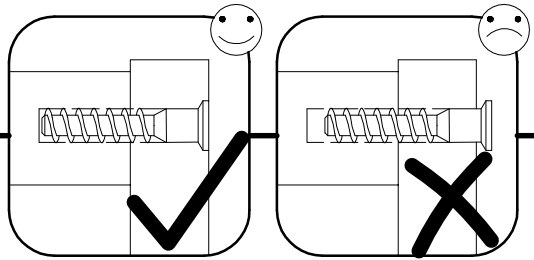
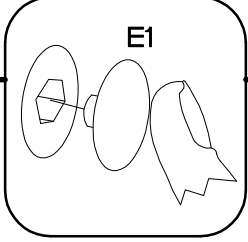
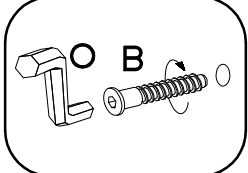
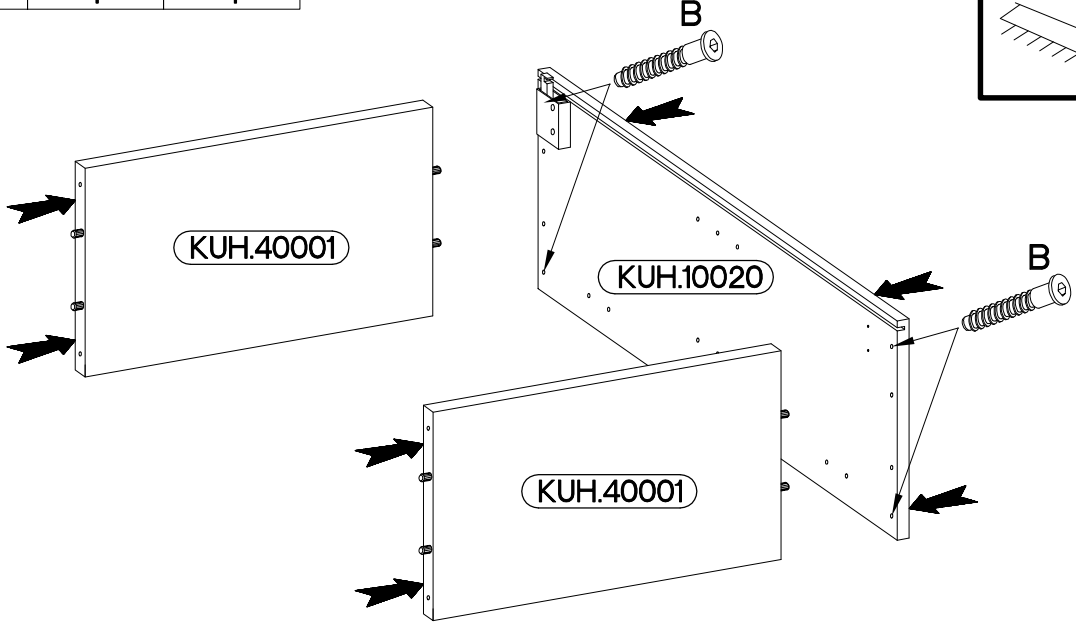
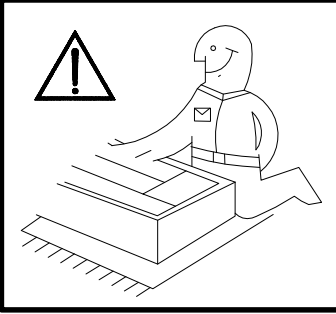
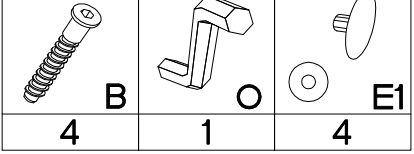


 +8x30mm A	 +4.0x30mm P8	 K
8	4	2

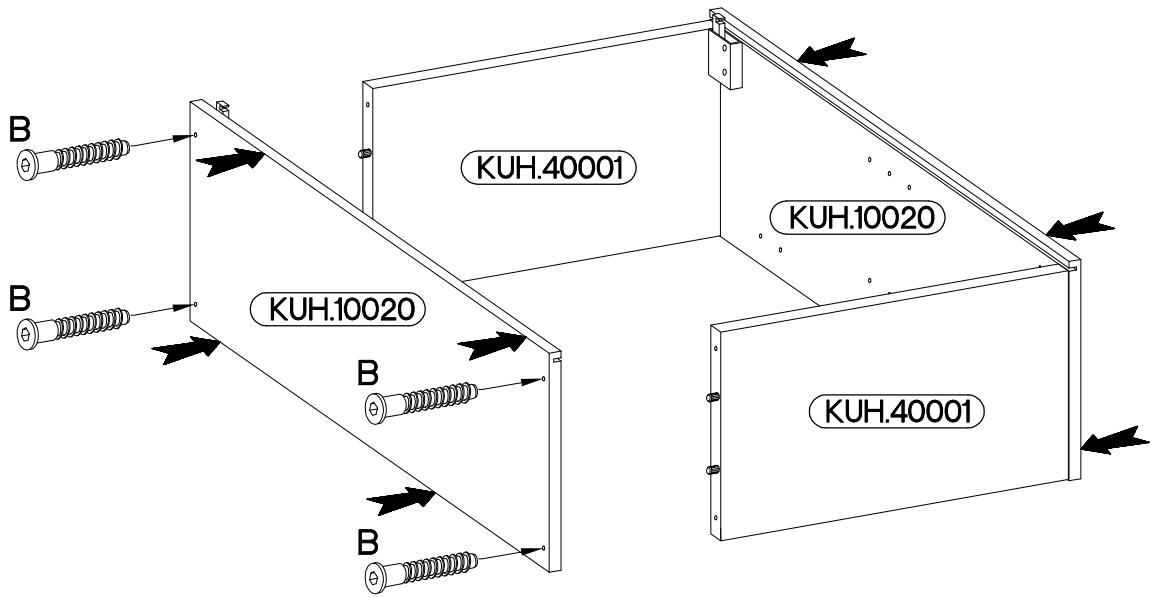


2

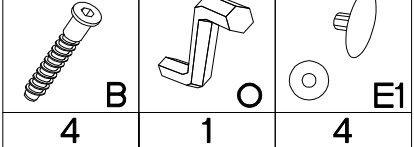
6,4 x 50mm



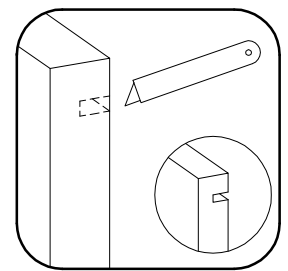
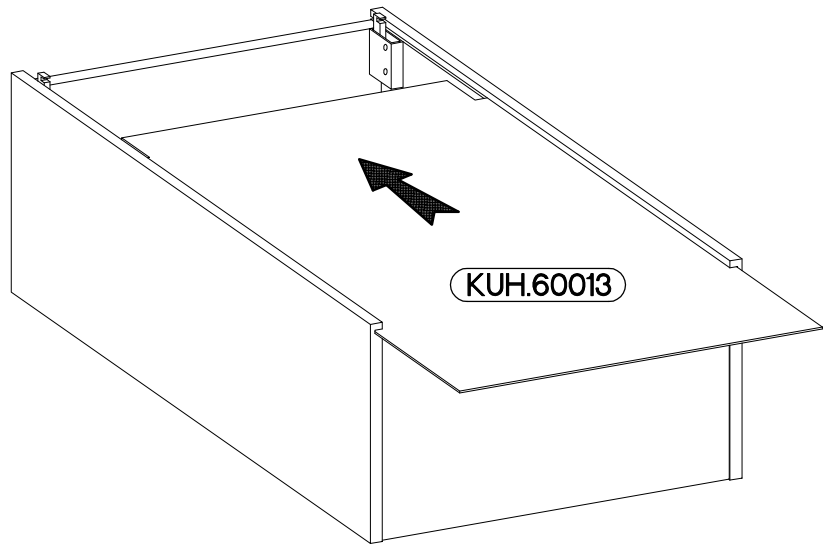
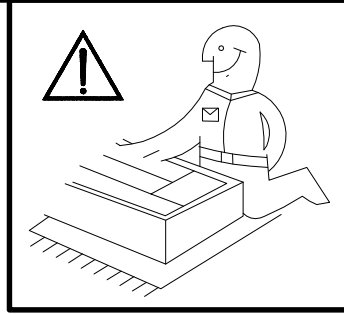
3



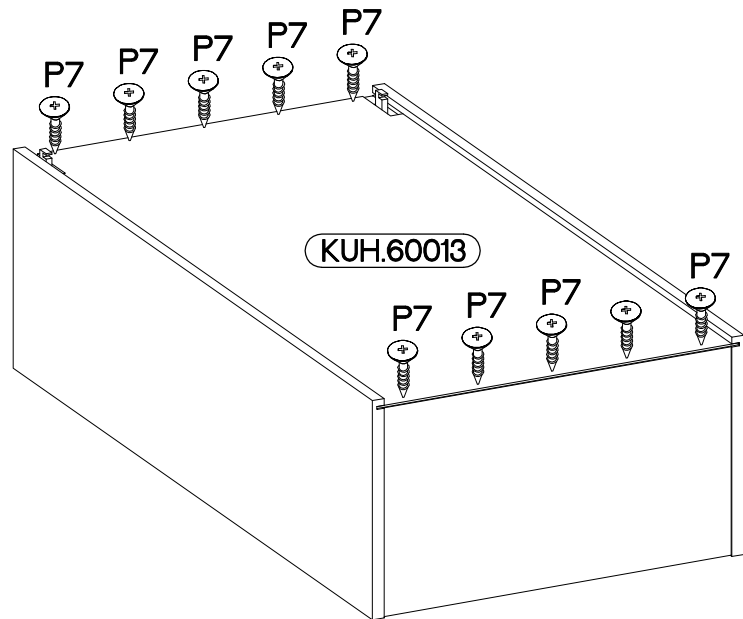
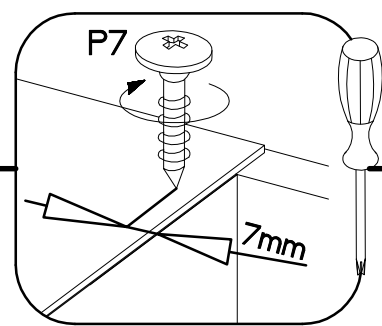
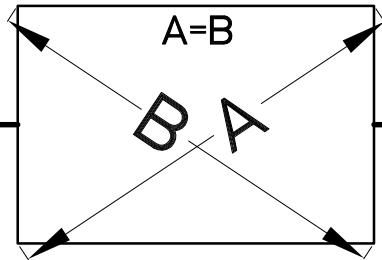
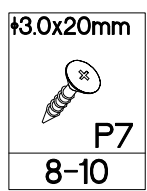
6,4 x 50mm

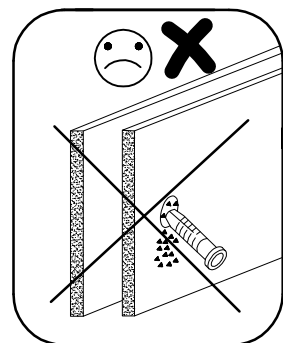
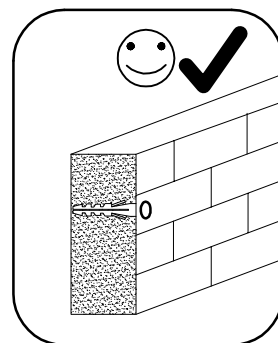
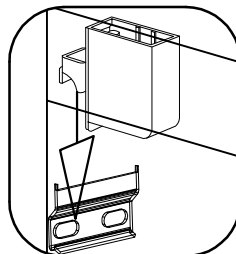
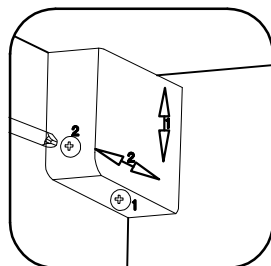
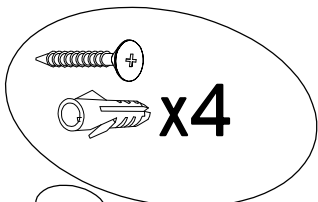
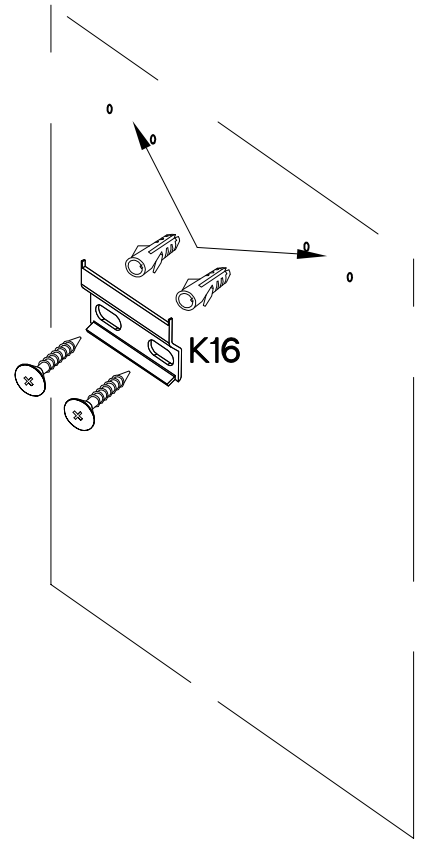
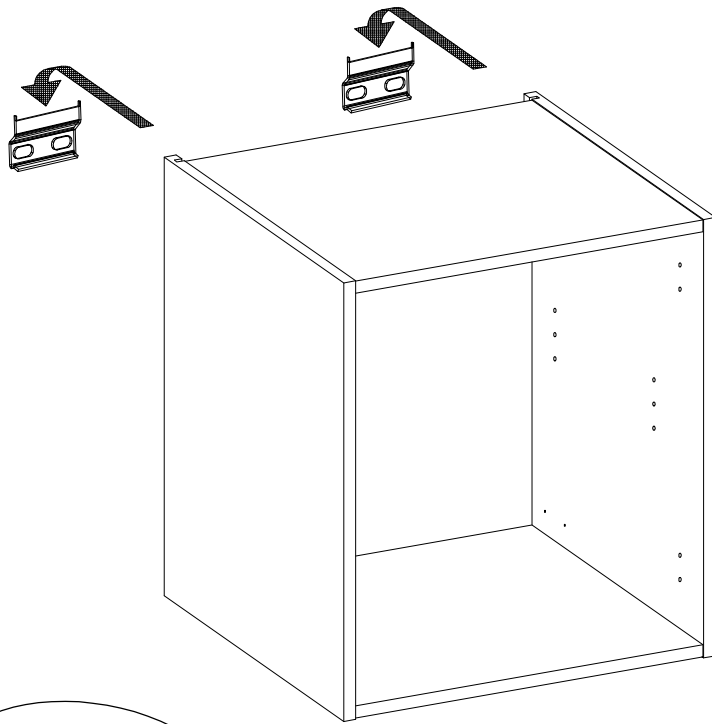
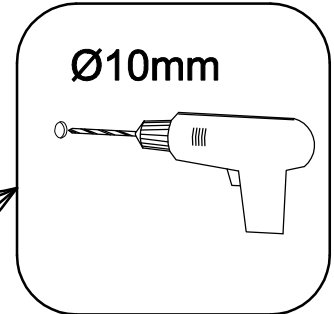
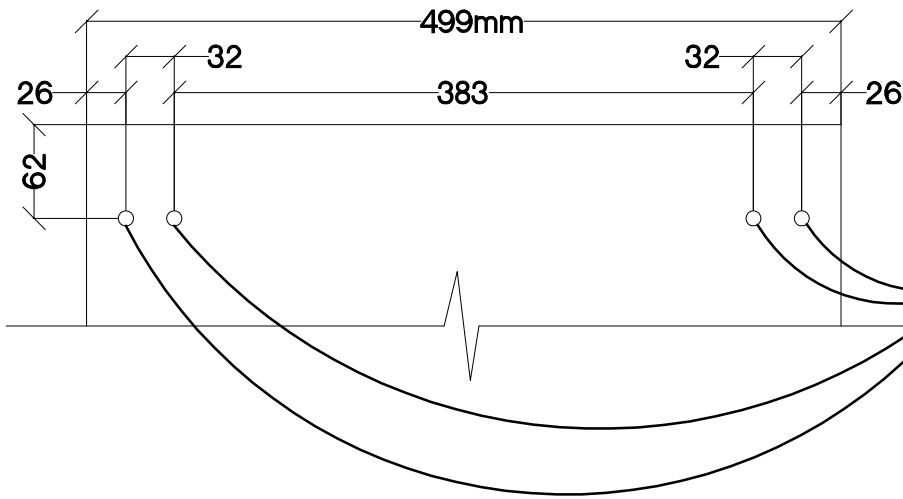
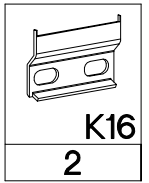
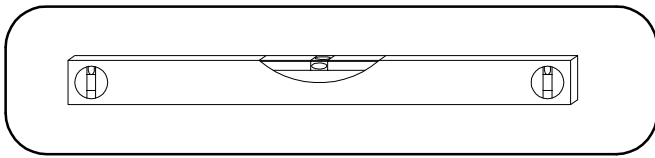


4



5





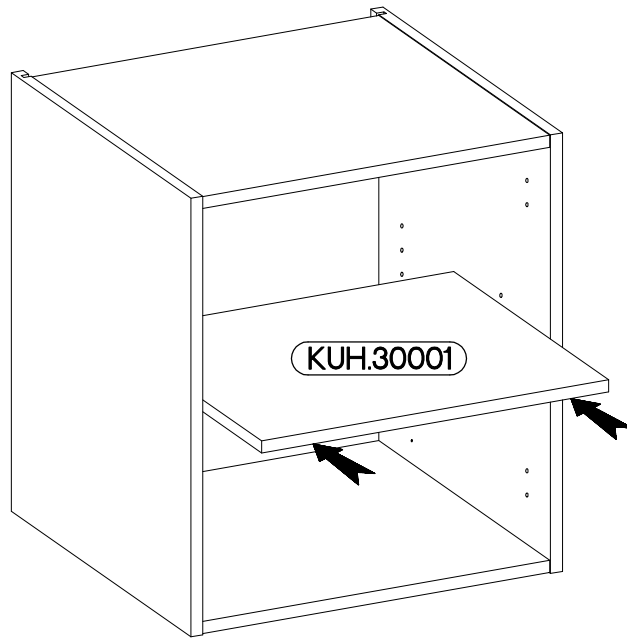
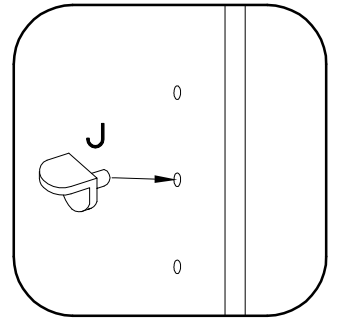
7

+5/19mm

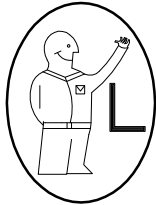


J

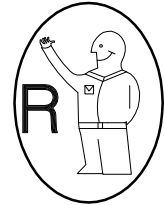
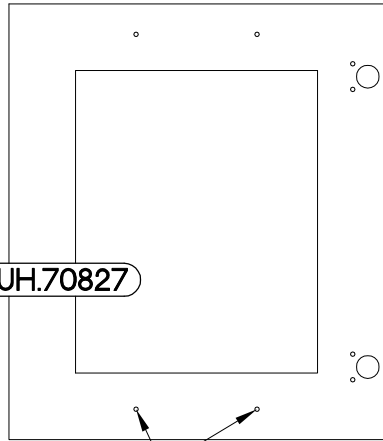
4



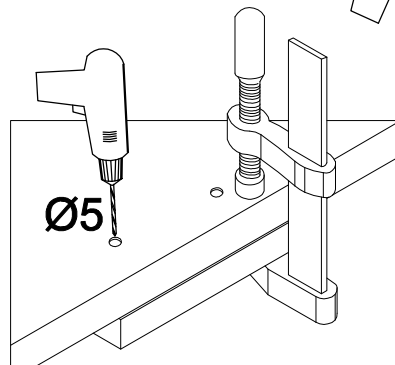
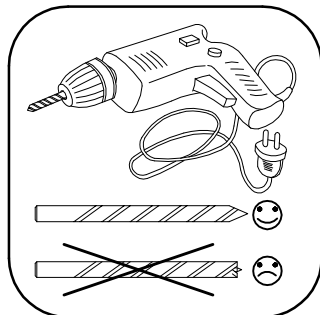
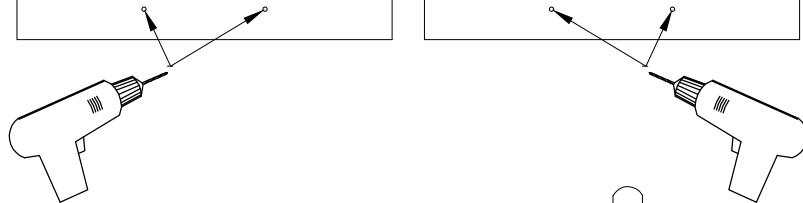
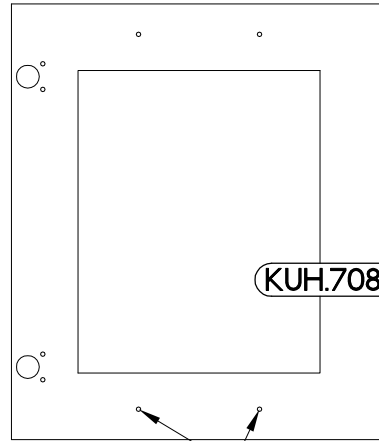
8



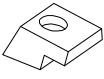
KUH.70827

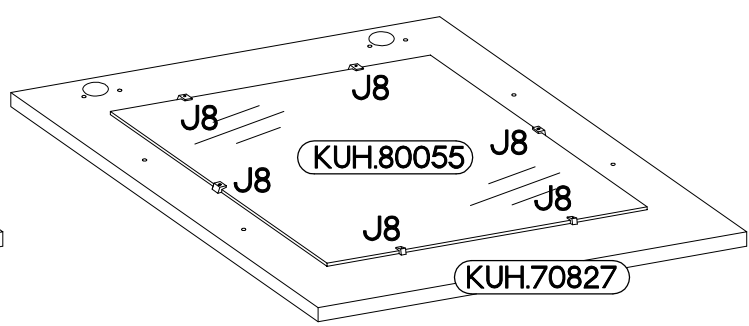
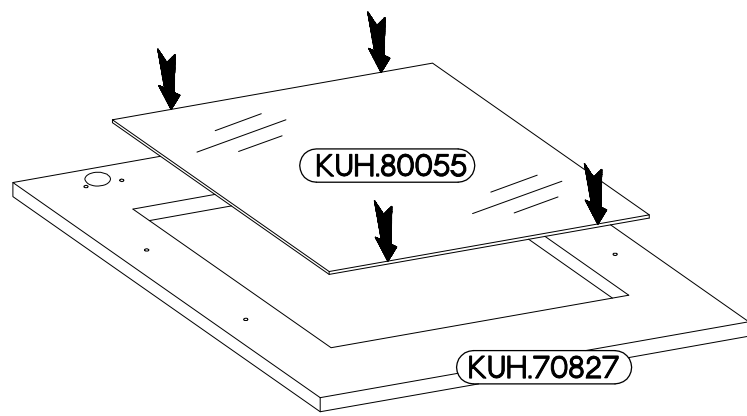
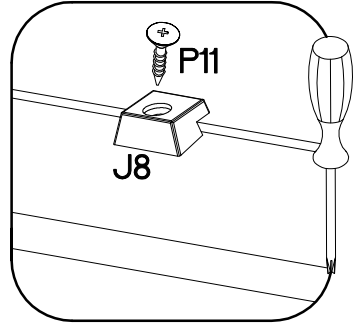
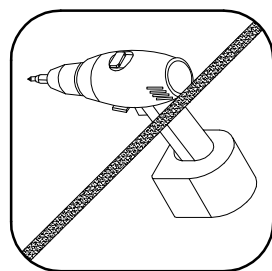
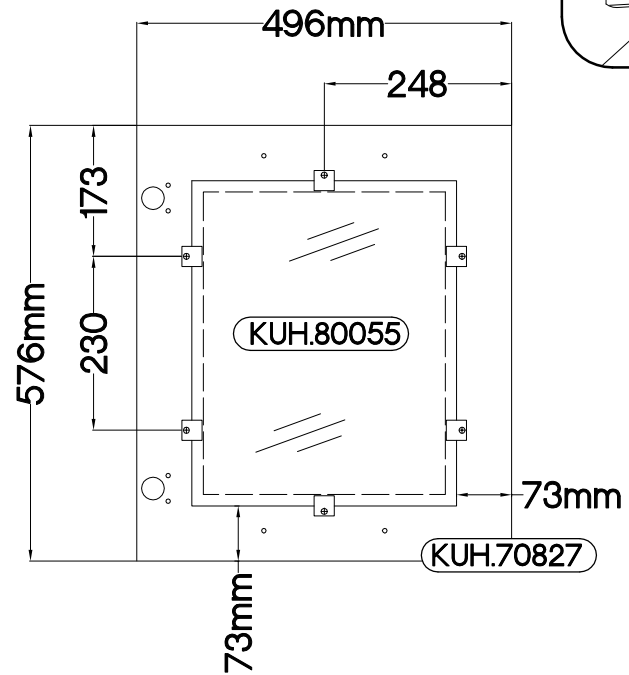
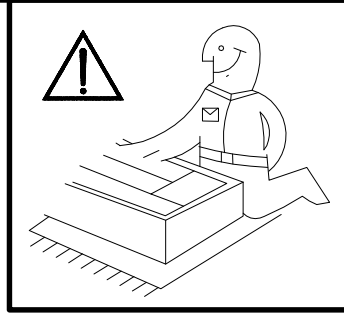
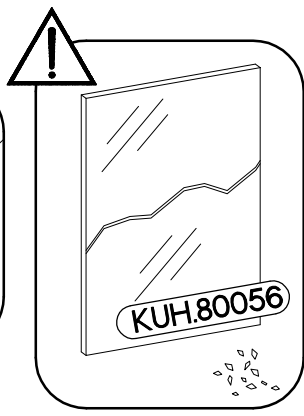
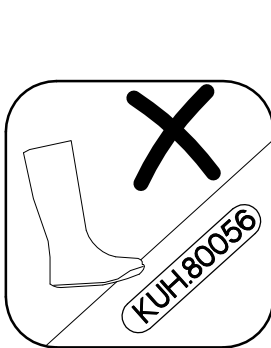


KUH.70827



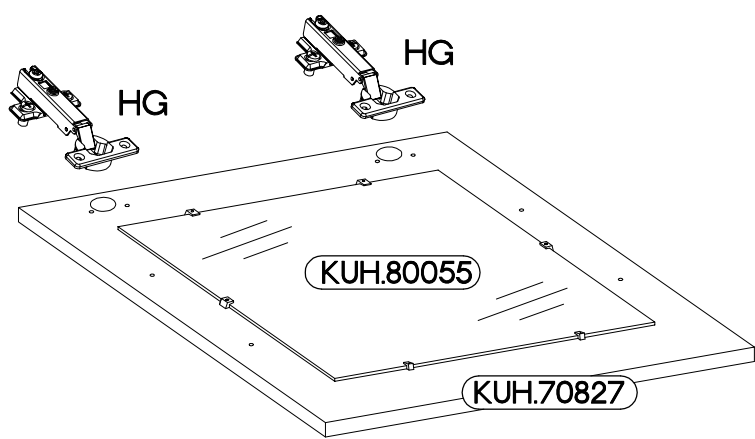
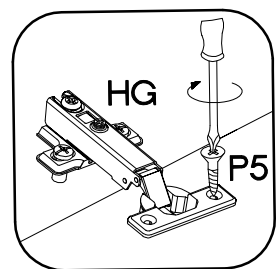
9



	±3.0x16mm
J8	P11
6	6

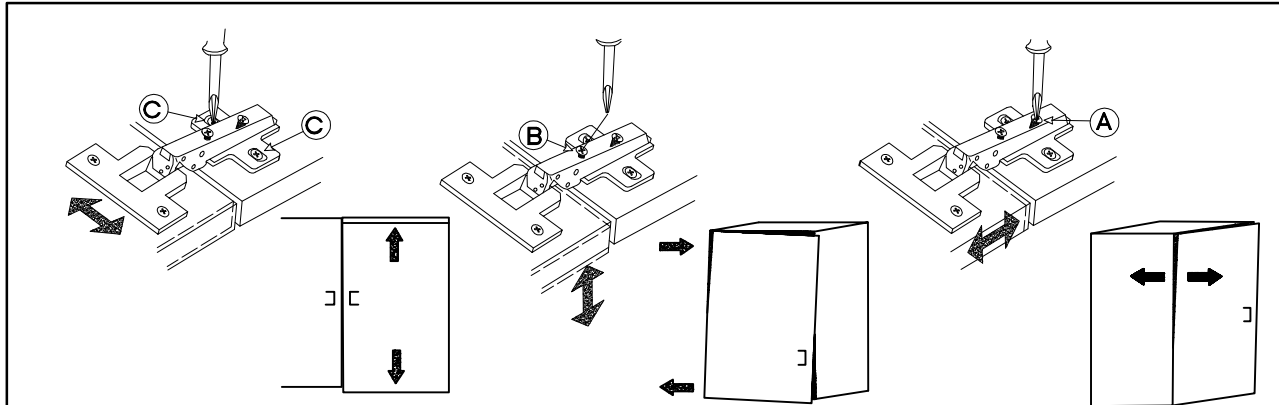
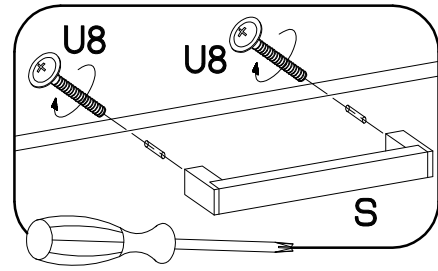
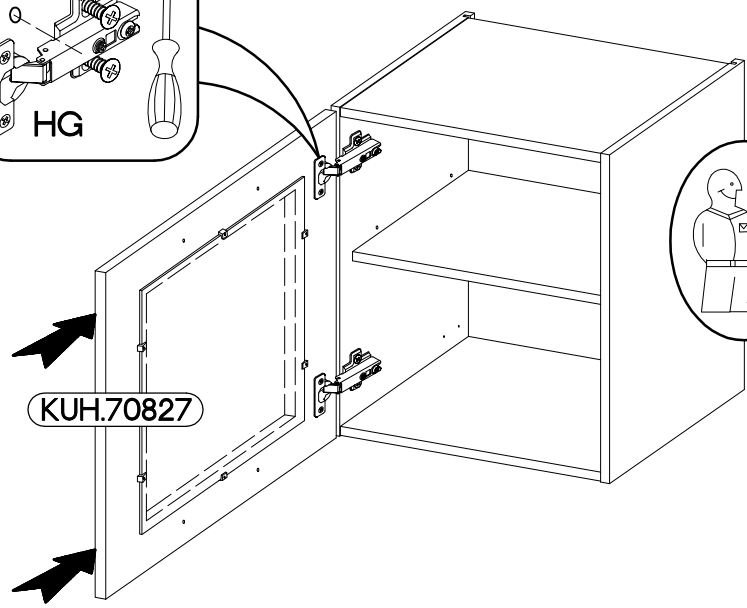
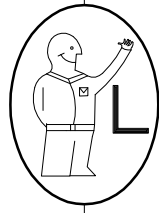
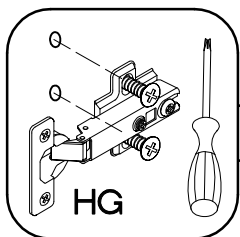
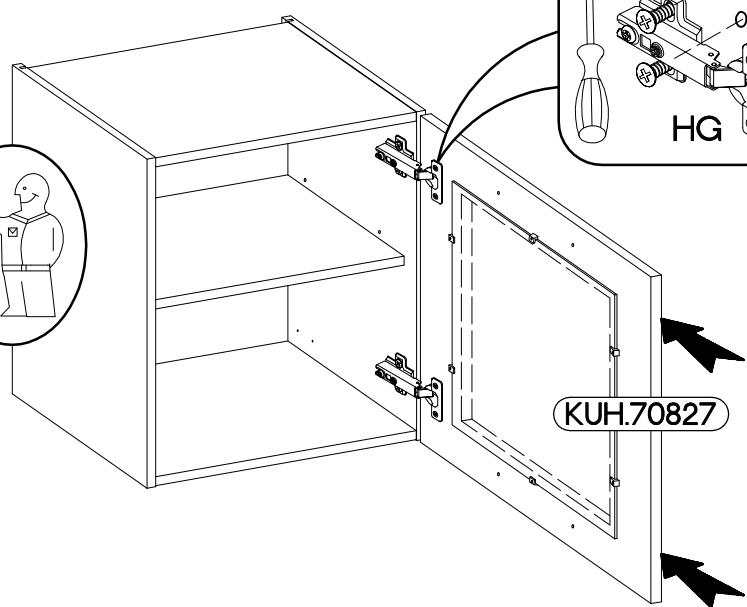
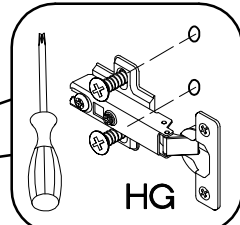
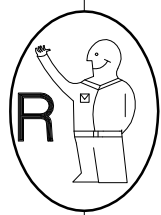


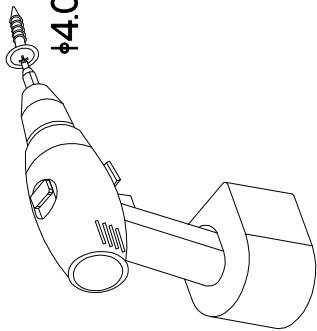
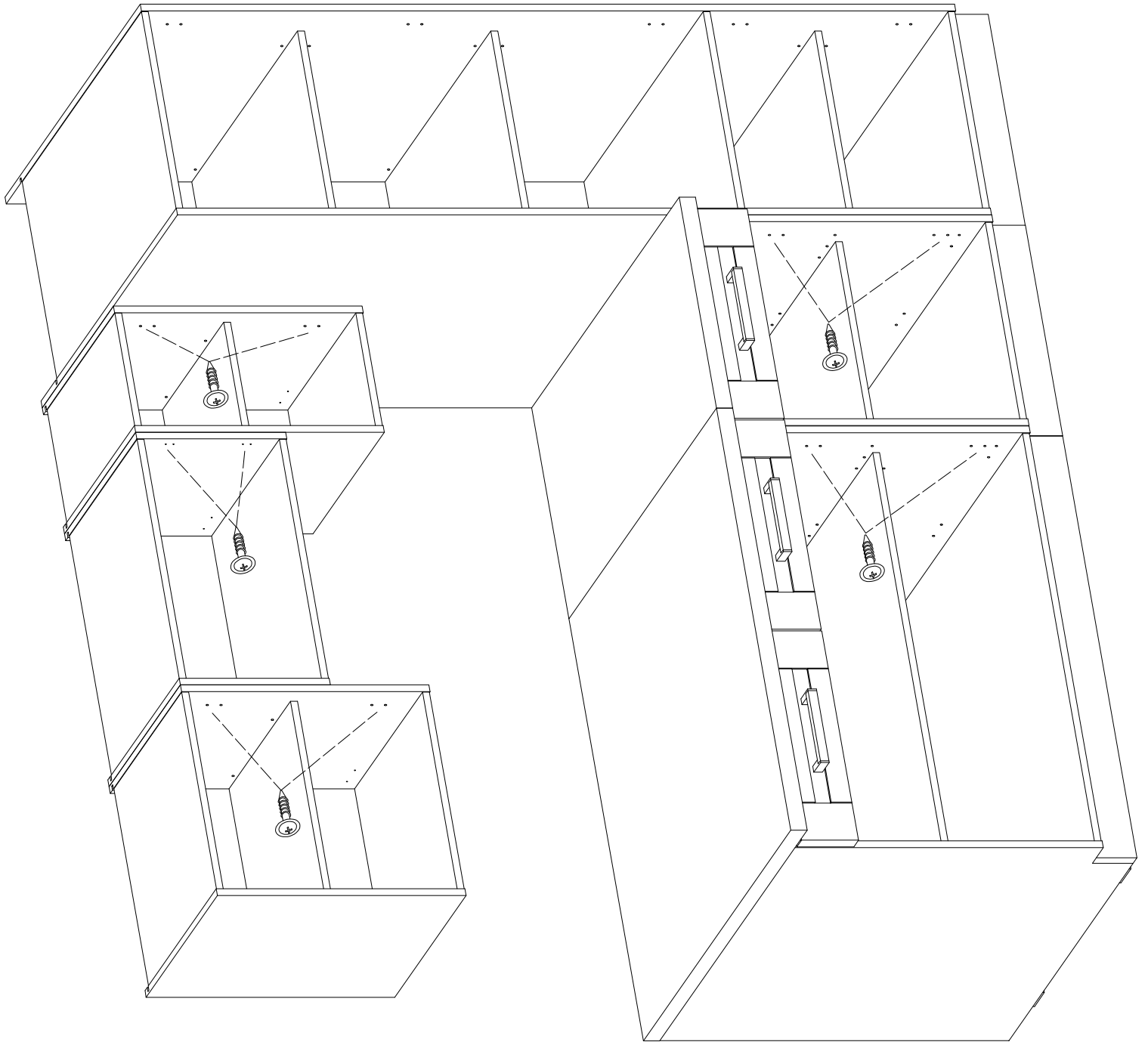
10

±35/0mm	±3.5x13mm
HG	P5
2	4

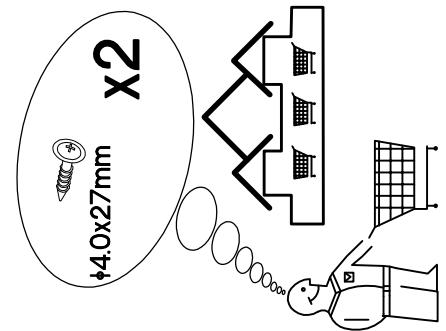


M4x27mm	
 U8	 S
2	1





4.0x27mm



X2

4.0x27mm

