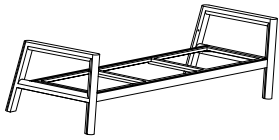
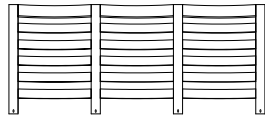


Assembly Instructions



A. X1



B. X1



M6*25MM
C. X2



M6*40MM
D. X4



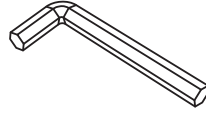
M6 washer
E. X2



M8 washer
F. X4

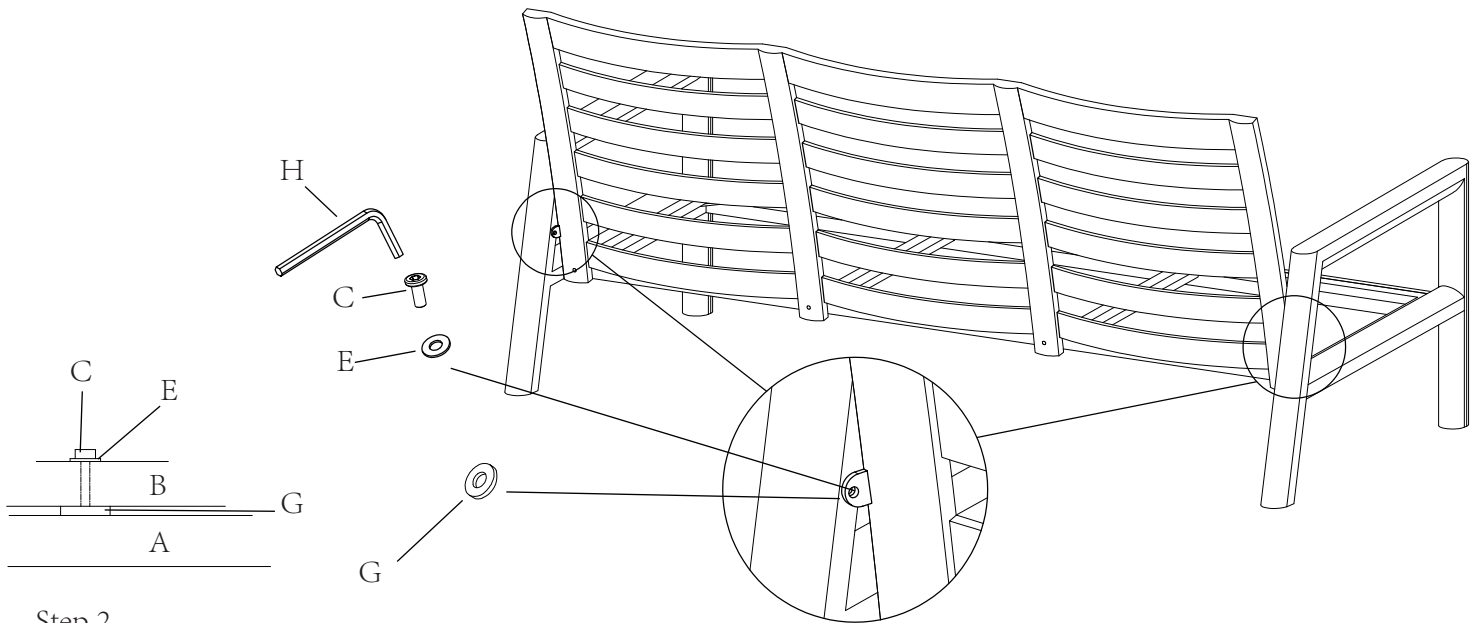


Plastic spacer
G. X6



H. X1

Step.1



Step.2

