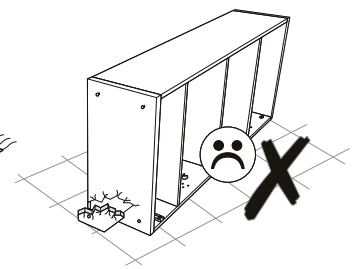
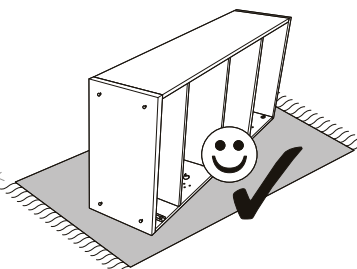
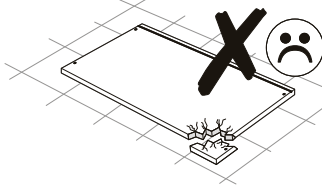
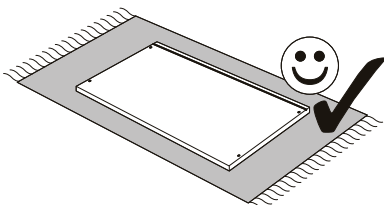
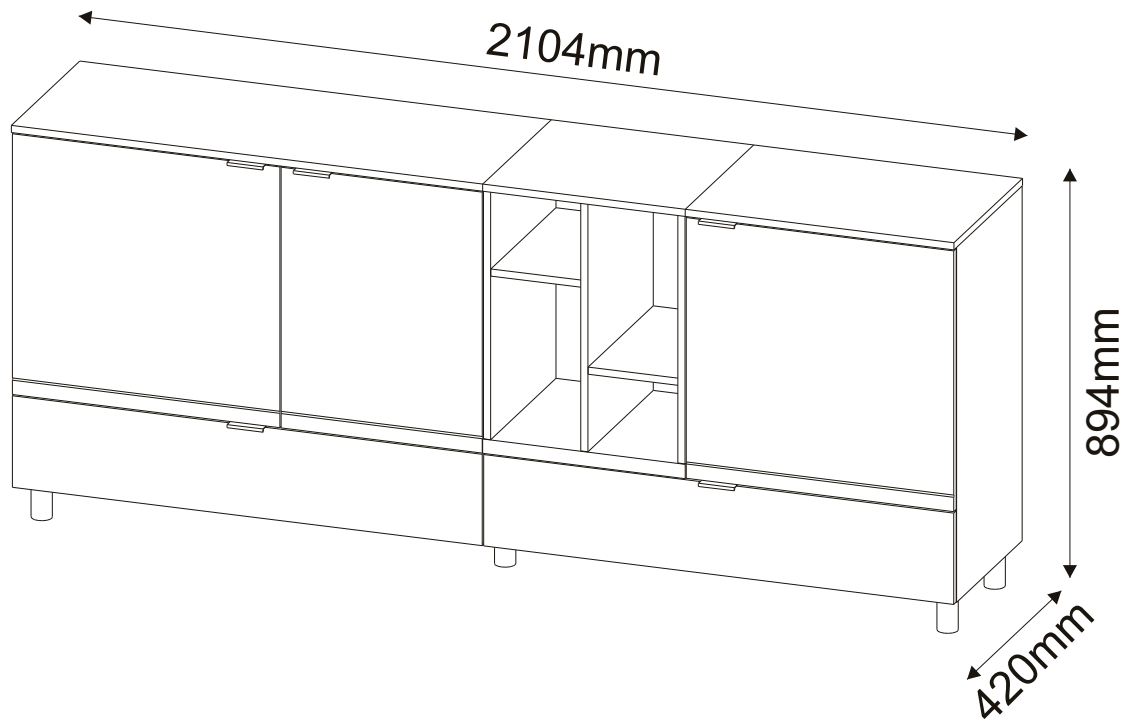
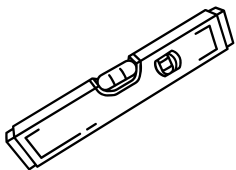
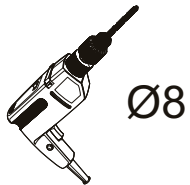
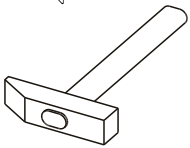
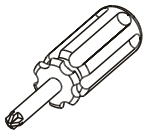
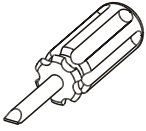
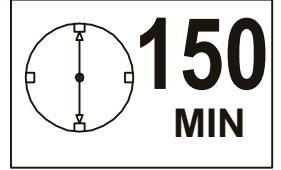
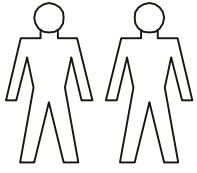
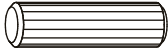




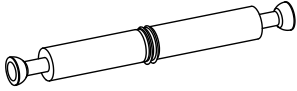


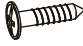

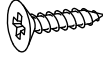


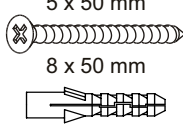
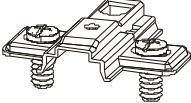
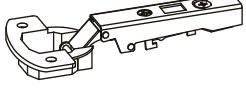


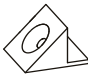
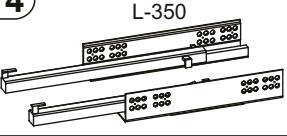
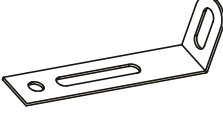
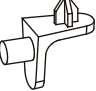
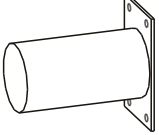
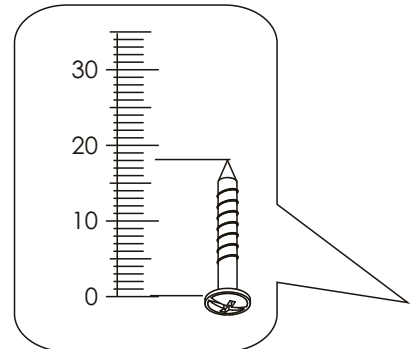
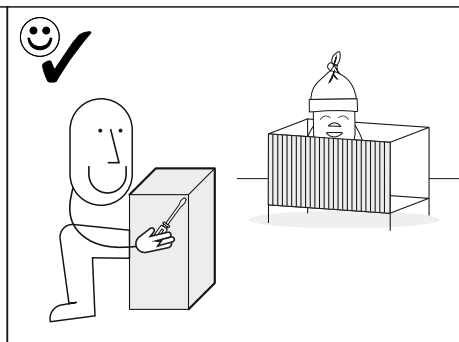
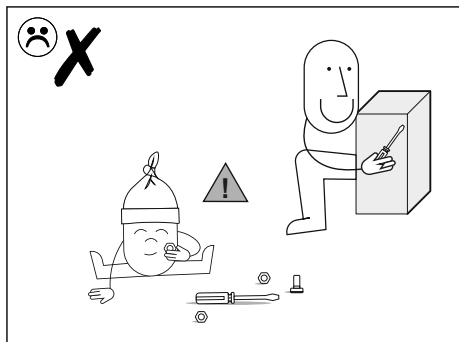
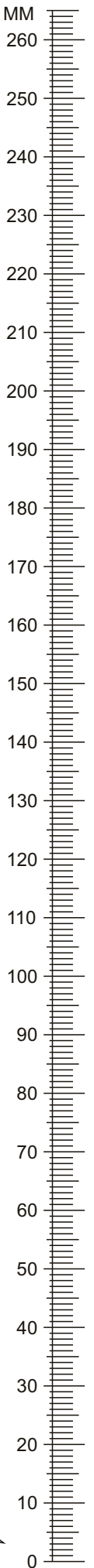



TINO Sideboard Typ 3T2L

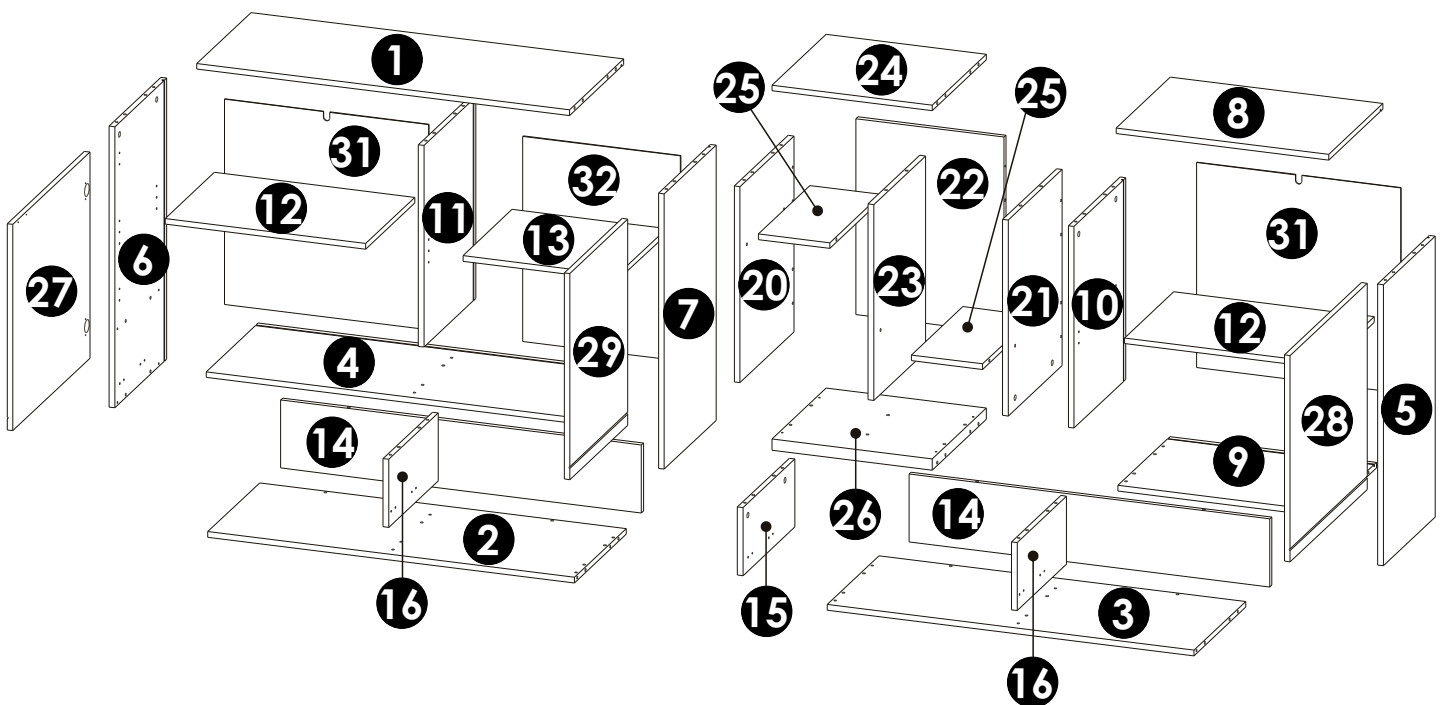
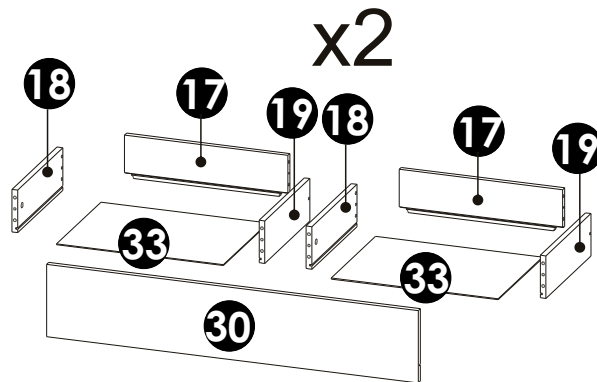
00030137/03

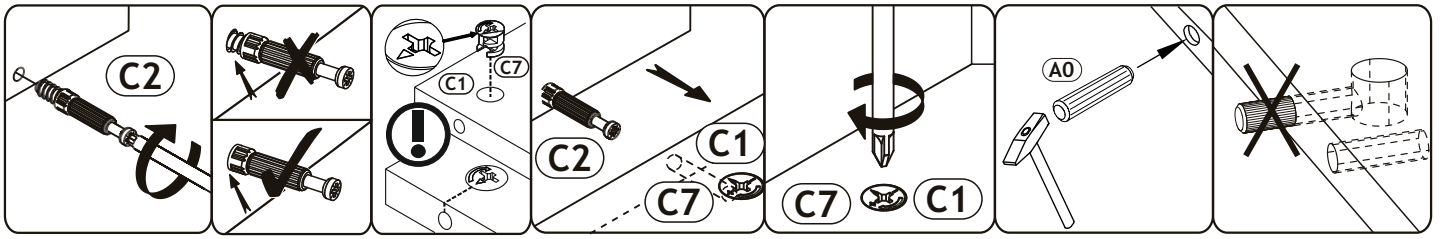


| | | |
|--|---|---|
| A0 8 x 30mm x102  | A1 8 x 50mm x8  | B1 7x 50 mm x24  |
| C0  x18 | C2  x40 | C5  x8 |
| C7 16mm  x56 | D0 3 x 15 mm  x48 | D4 3,5 x 17 mm  x24 |
| D8 4.2 x 13 mm  x2 | D10 4 x 16 mm  x12 | D21 5 x 13 mm  x2 |
| D31 6.3 x 13 mm  x32 | E0 5 x 50 mm 8 x 50 mm  x2 | J3  x6 |
| J10  x6 | K 4mm  x1 | L3  x5 |
| M1  x38 | N14 L-350  x4 | P0  x2 |
| Q3  x12 | T33  x6 | LOGO... x1 |

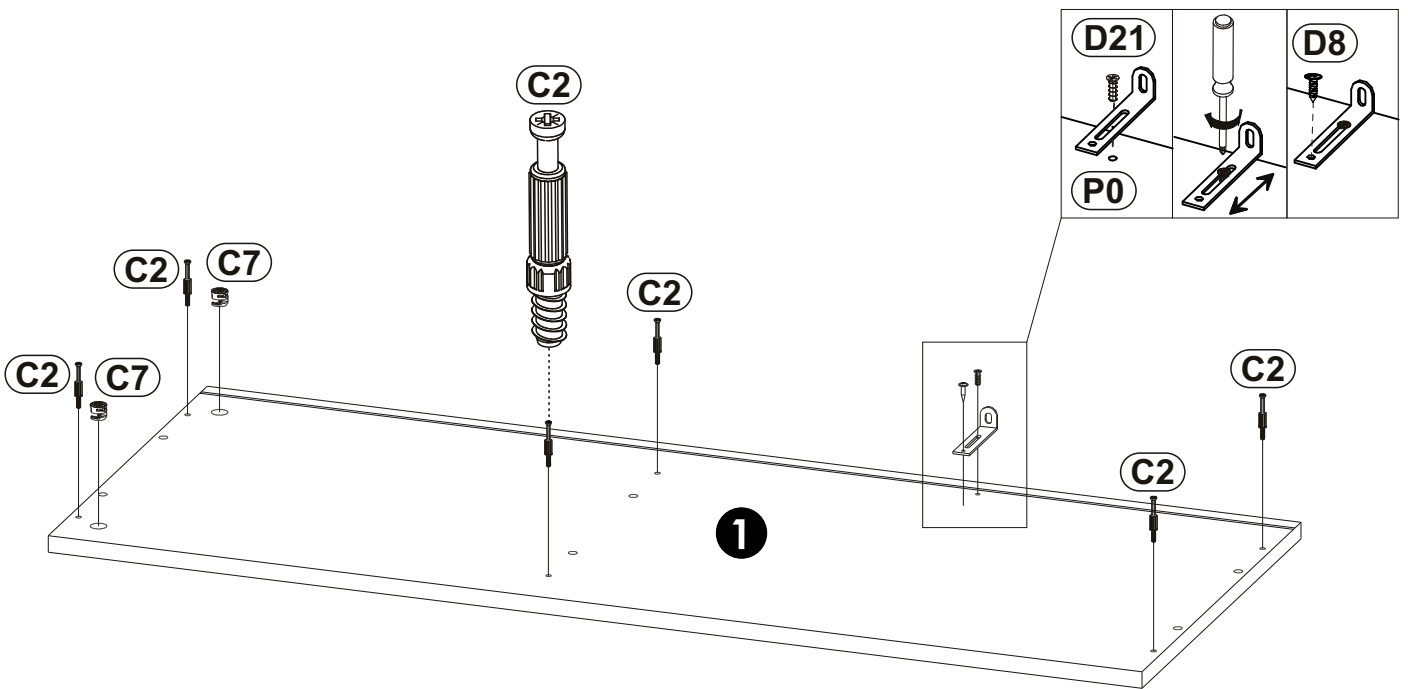


| | | | | | | | | | | | | | | | | | |
|-----------|------|-----|----|----|-----|-----------|------|-----|----|----|-----|---|------|-----|----|----|-----|
| 1 | 1052 | 420 | 16 | x1 | 3/6 | 13 | 436 | 381 | 16 | x1 | 2/6 | 25 | 201 | 399 | 16 | x2 | 4/6 |
| 2 | 1035 | 402 | 16 | x1 | 3/6 | 14 | 1018 | 192 | 16 | x2 | 3/6 | 26 | 452 | 420 | 32 | x1 | 4/6 |
| 3 | 1035 | 402 | 16 | x1 | 3/6 | 15 | 192 | 402 | 16 | x1 | 1/6 | 27 | 597 | 582 | 16 | x1 | 5/6 |
| 4 | 1018 | 402 | 16 | x1 | 3/6 | 16 | 192 | 383 | 16 | x2 | 1/6 | 28 | 597 | 582 | 16 | x1 | 5/6 |
| 5 | 793 | 402 | 16 | x1 | 1/6 | 17 | 461 | 119 | 16 | x4 | 1/6 | 29 | 449 | 582 | 16 | x1 | 5/6 |
| 6 | 793 | 402 | 16 | x1 | 1/6 | 18 | 350 | 120 | 16 | x4 | 1/6 | 30 | 1049 | 204 | 16 | x2 | 3/6 |
| 7 | 777 | 402 | 16 | x1 | 1/6 | 19 | 350 | 120 | 16 | x4 | 1/6 | 31 | 579 | 576 | 3 | x2 | 5/6 |
| 8 | 600 | 420 | 16 | x1 | 2/6 | 20 | 553 | 418 | 16 | x1 | 4/6 | 32 | 579 | 445 | 3 | x1 | 5/6 |
| 9 | 583 | 402 | 16 | x1 | 2/6 | 21 | 553 | 418 | 16 | x1 | 4/6 | 33 | 471 | 344 | 3 | x4 | 5/6 |
| 10 | 569 | 402 | 16 | x1 | 2/6 | 22 | 553 | 418 | 16 | x1 | 4/6 |  | | | | | |
| 11 | 569 | 402 | 16 | x1 | 2/6 | 23 | 553 | 401 | 16 | x1 | 4/6 | | 6/6 | | | | |
| 12 | 566 | 381 | 16 | x2 | 2/6 | 24 | 452 | 420 | 16 | x1 | 4/6 | | | | | | |

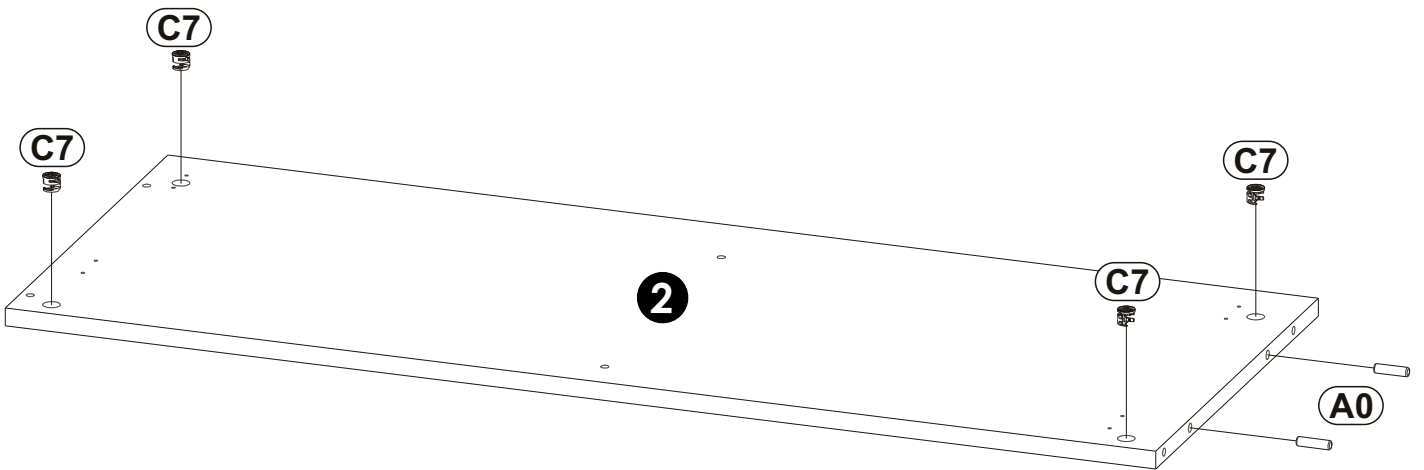






| | | | |
|----------|-------------------------------|-------------------------|--------------------------------|
| 1 | C2 x6 | C7 16mm x2 | D8 4.2 x 13 mm x1 |
| | D21 5 x 13 mm x1 | P0 x1 | |

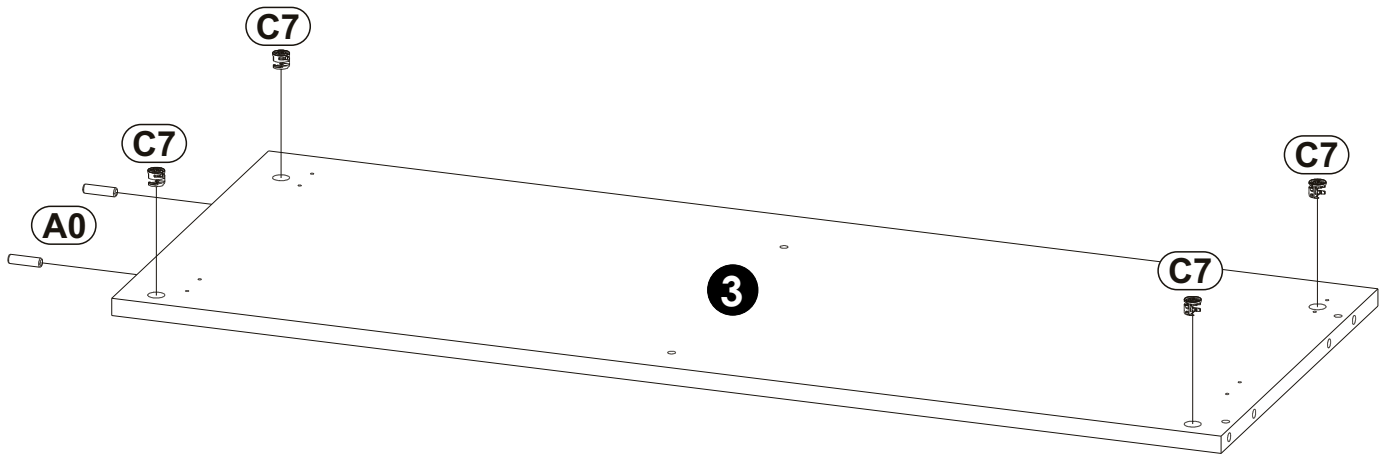


| | | |
|----------|-----------------------------|-------------------------|
| 2 | A0 8 x 30mm x2 | C7 16mm x4 |
|----------|-----------------------------|-------------------------|


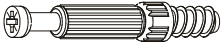



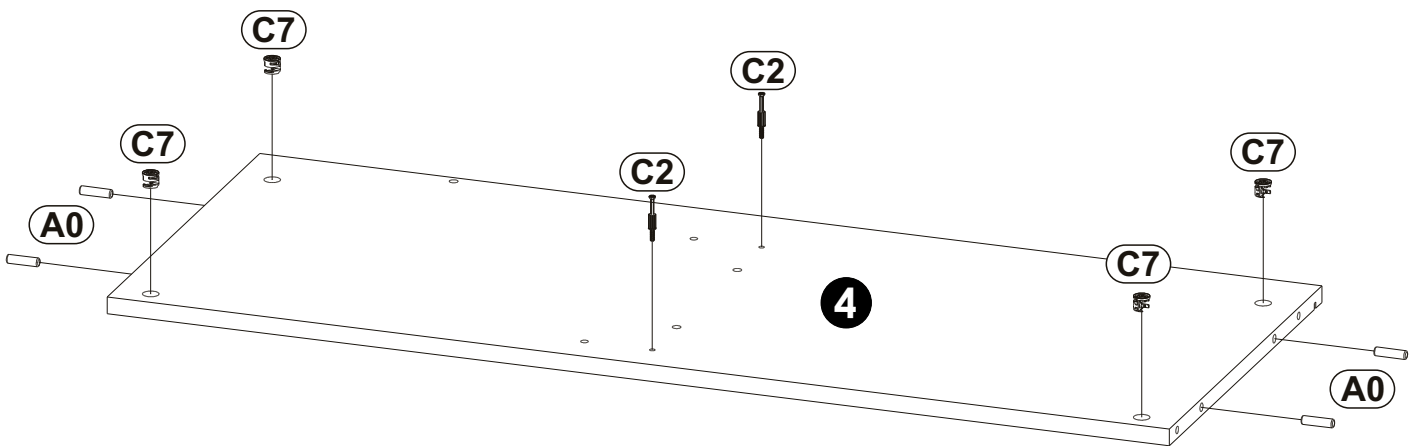
3

| | | | | | |
|---|----------|-----------|---|------|-----------|
| A0 | 8 x 30mm | x2 | C7 | 16mm | x4 |
|  | | |  | | |


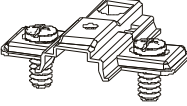


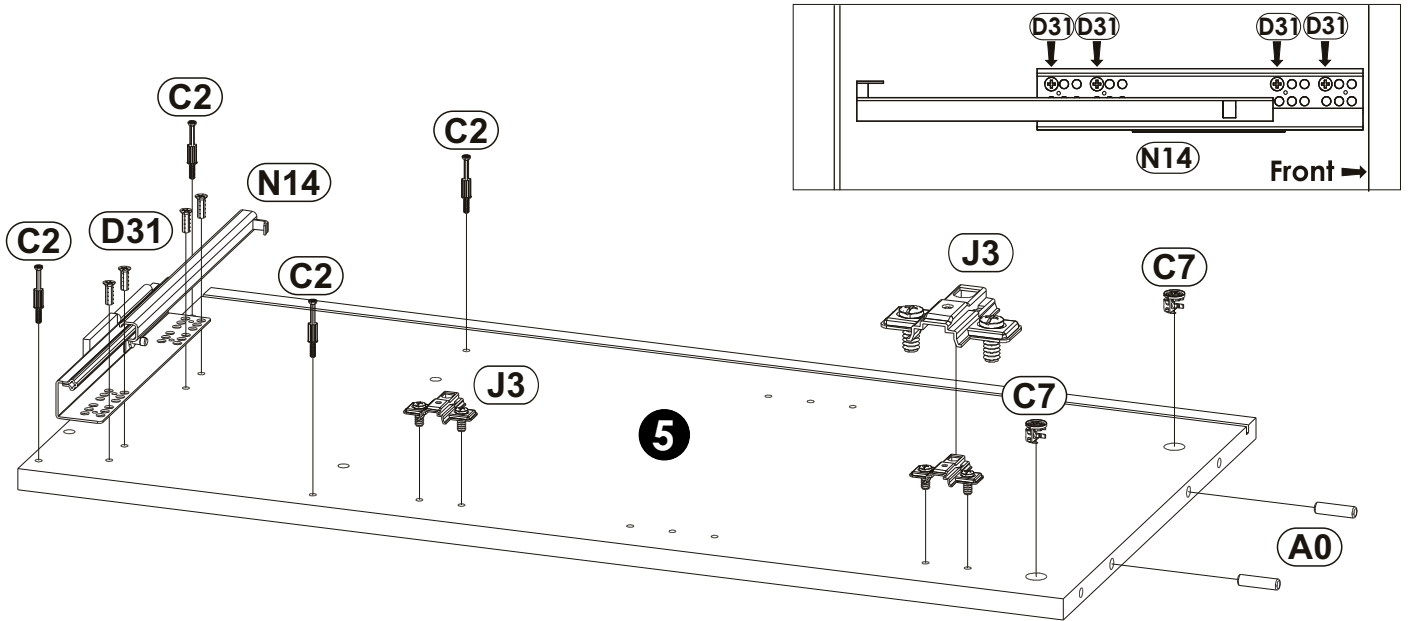
4

| | | | | | | | |
|---|----------|-----------|---|-----------|-----------|---|-----------|
| A0 | 8 x 30mm | x4 | C2 | x2 | C7 | 16mm | x4 |
|  | | |  | | |  | |

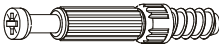
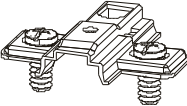


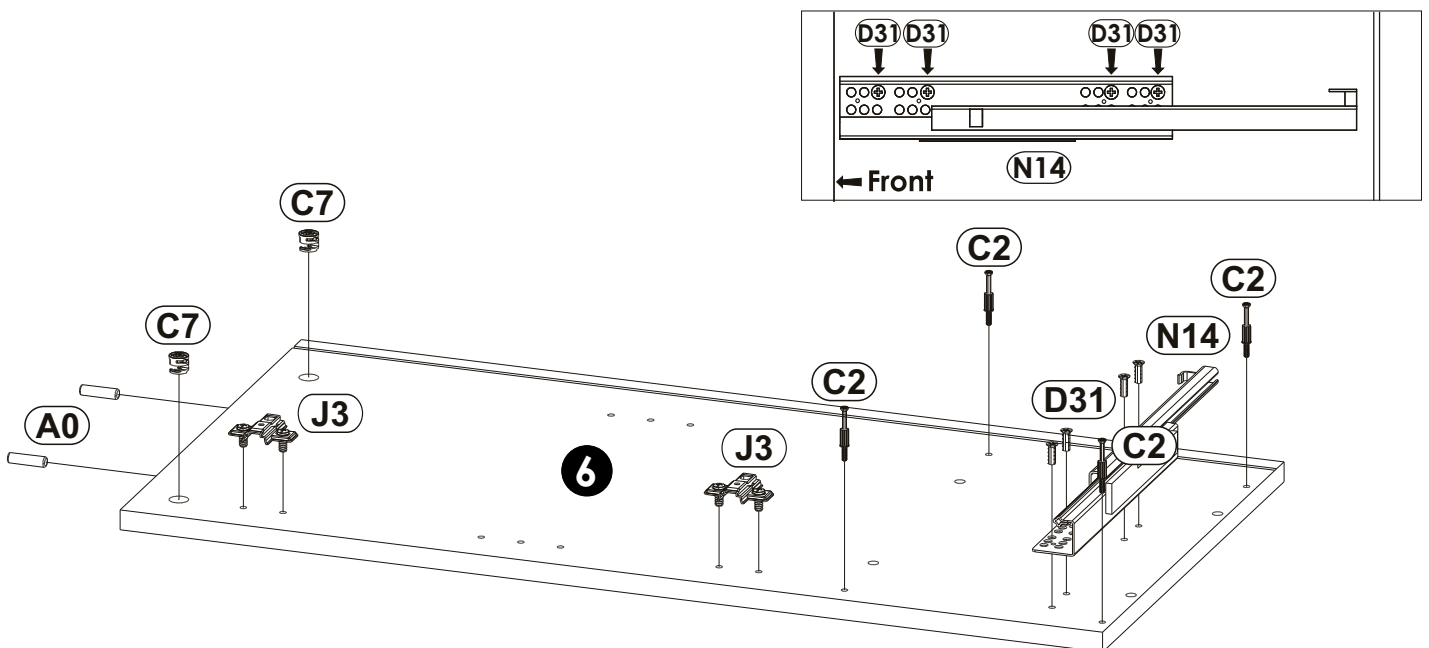
5

| | | | | | | | | |
|------------|-------------|-----------|-----------|---|-----------|------------|-------|-----------|
| A0 | 8 x 30mm | x2 | C2 |  | x4 | C7 | 16mm | x2 |
| D31 | 6.3 x 13 mm | x4 | J3 |  | x2 | N14 | L-350 | x1 |


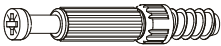


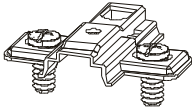
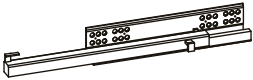


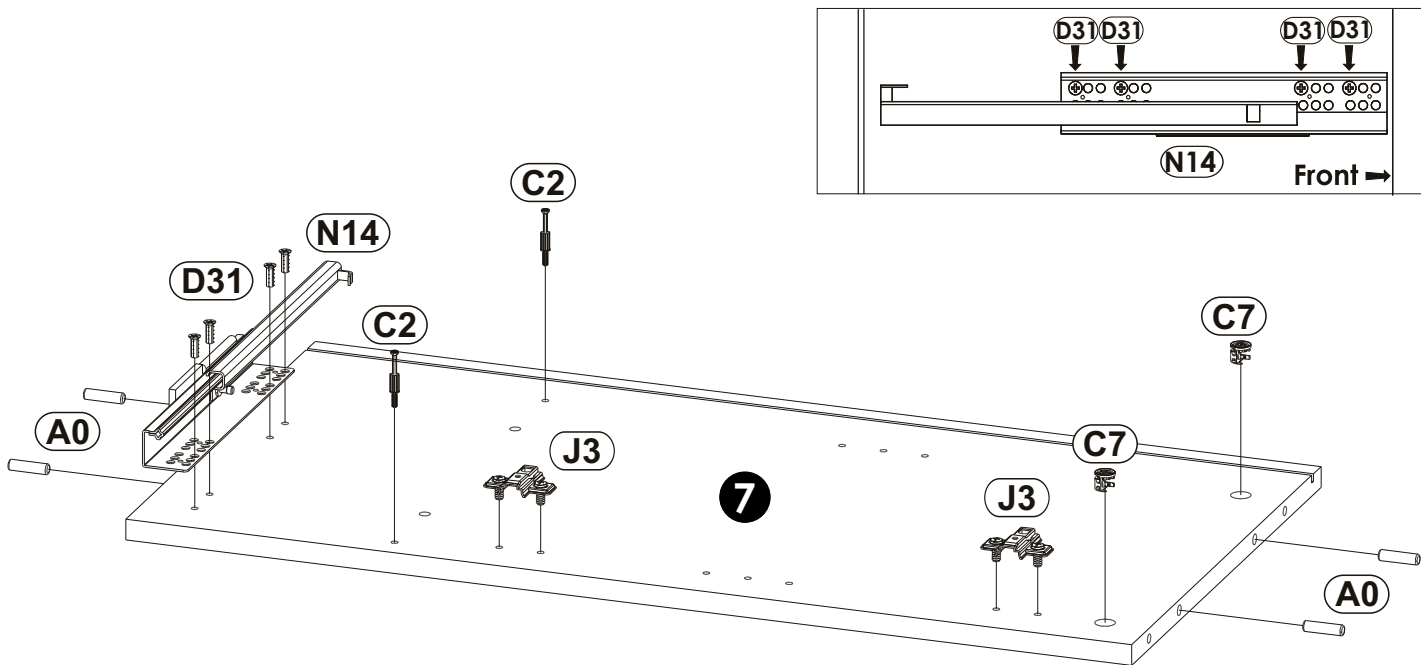
6

| | | | | | | | | |
|------------|-------------|-----------|-----------|---|-----------|------------|-------|-----------|
| A0 | 8 x 30mm | x2 | C2 |  | x4 | C7 | 16mm | x2 |
| D31 | 6.3 x 13 mm | x4 | J3 |  | x2 | N14 | L-350 | x1 |

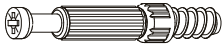



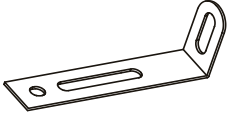


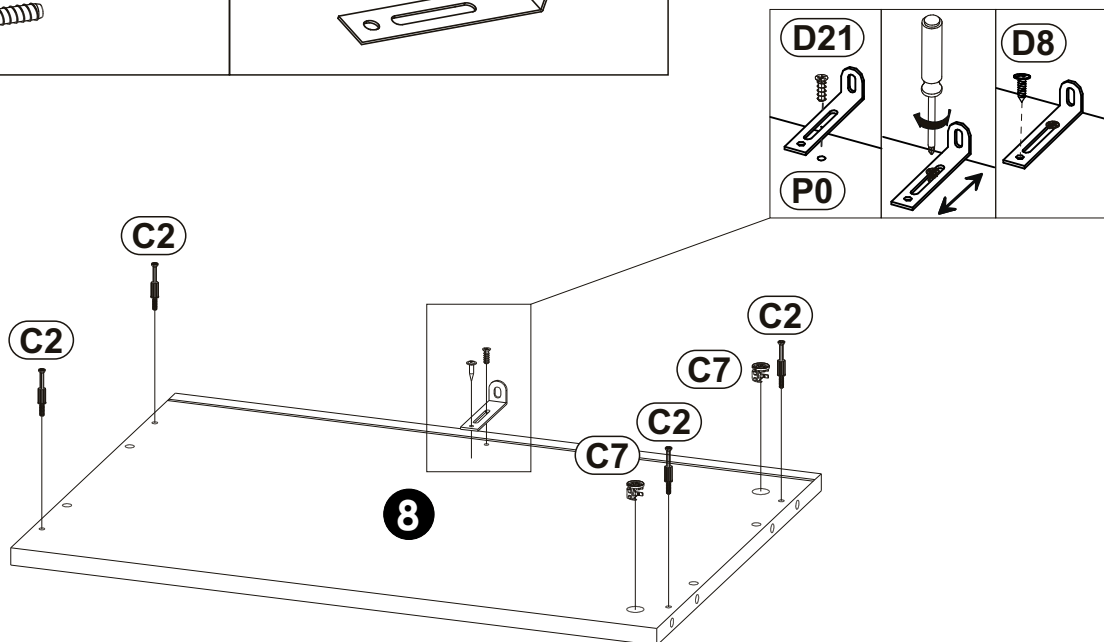
7

| | | | | | |
|--|-----------|--|-----------|--|-----------|
| A0 8 x 30mm  | x4 | C2  | x2 | C7 16mm  | x2 |
| D31 6.3 x 13 mm  | x4 | J3  | x2 | N14 L-350  | x1 |



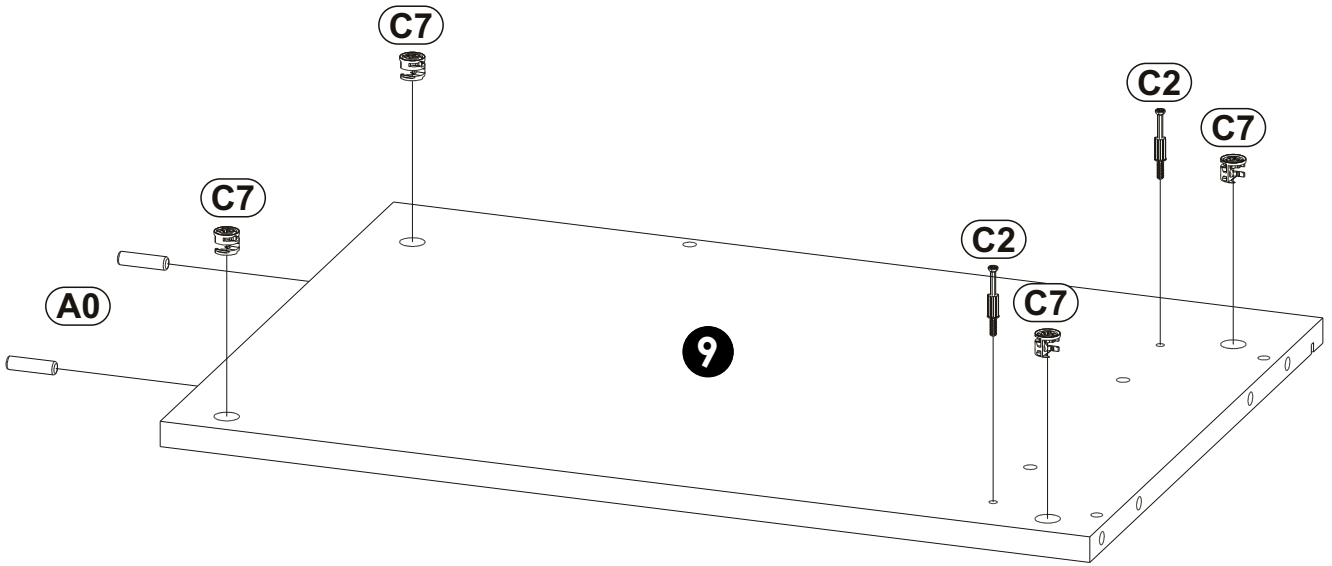
8

| | | | | | |
|--|-----------|--|-----------|---|-----------|
| C2  | x4 | C7 16mm  | x2 | D8 4.2 x 13 mm  | x1 |
| D21 5 x 13 mm  | x1 | P0  | x1 | | |



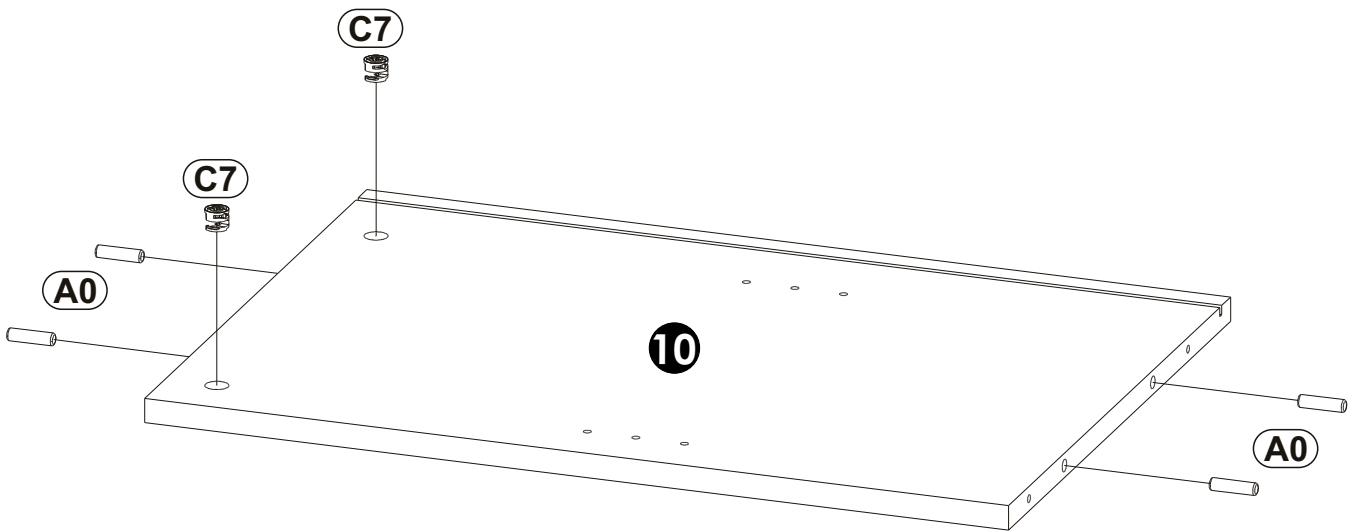
9

| | | | | | | | |
|-----------|----------|-----------|-----------|-----------|-----------|------|-----------|
| A0 | 8 x 30mm | x2 | C2 | x2 | C7 | 16mm | x4 |
|-----------|----------|-----------|-----------|-----------|-----------|------|-----------|

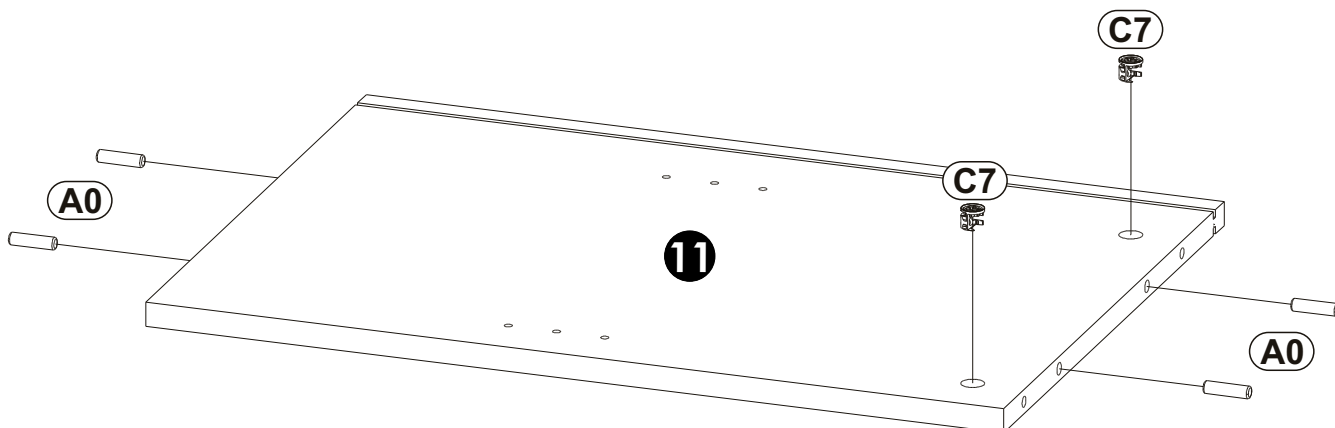
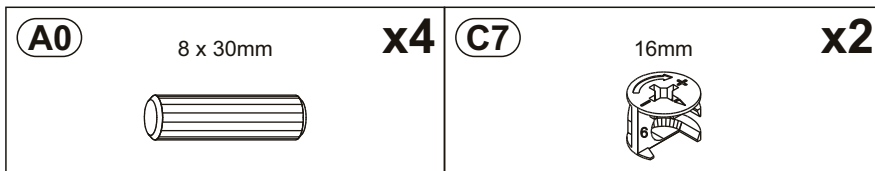


10

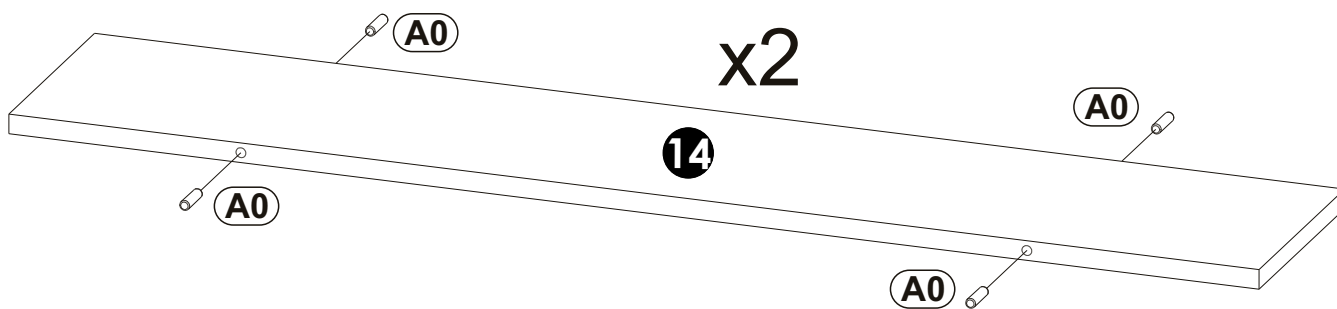
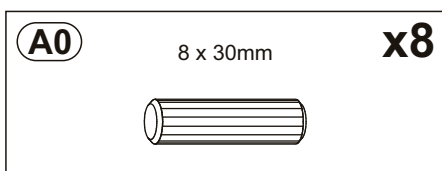
| | | | | | |
|-----------|----------|-----------|-----------|------|-----------|
| A0 | 8 x 30mm | x4 | C7 | 16mm | x2 |
|-----------|----------|-----------|-----------|------|-----------|



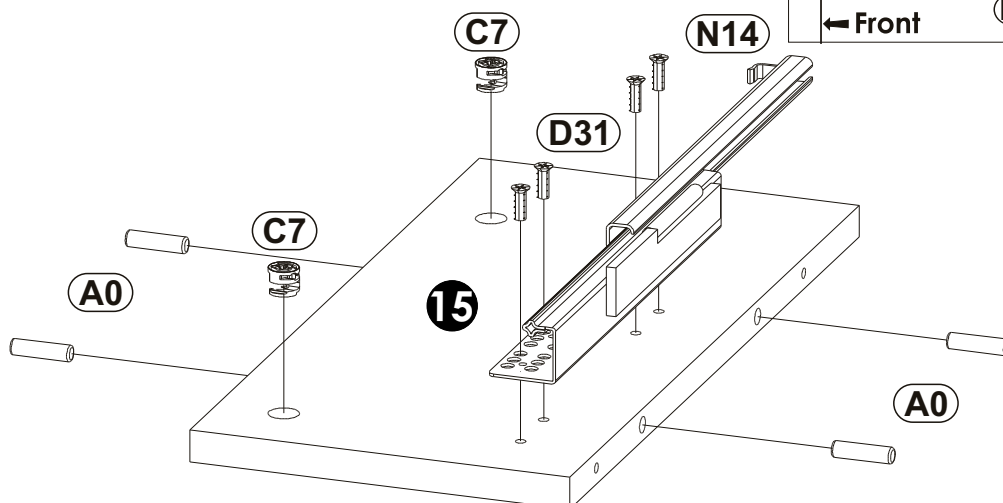
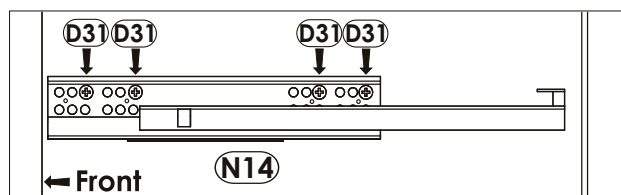
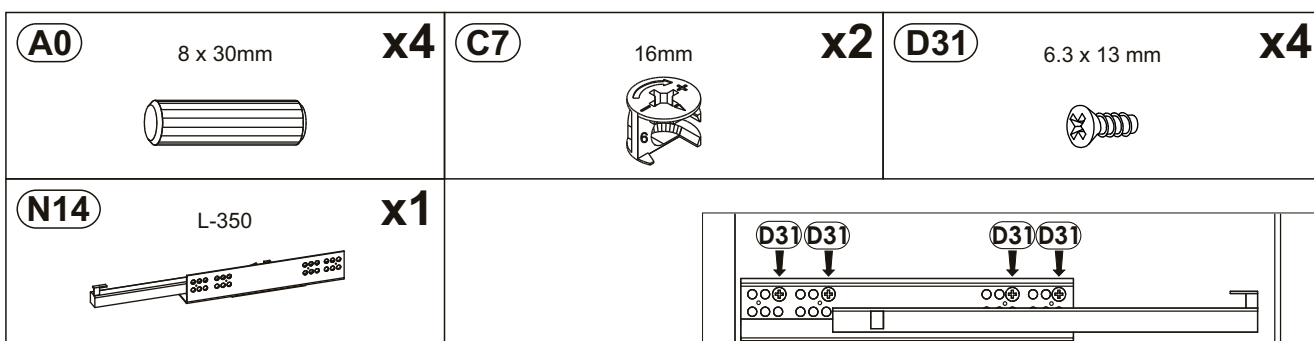
11






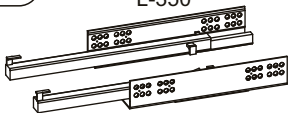
12

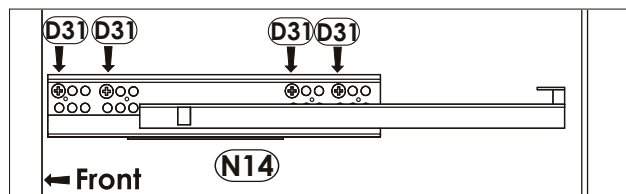
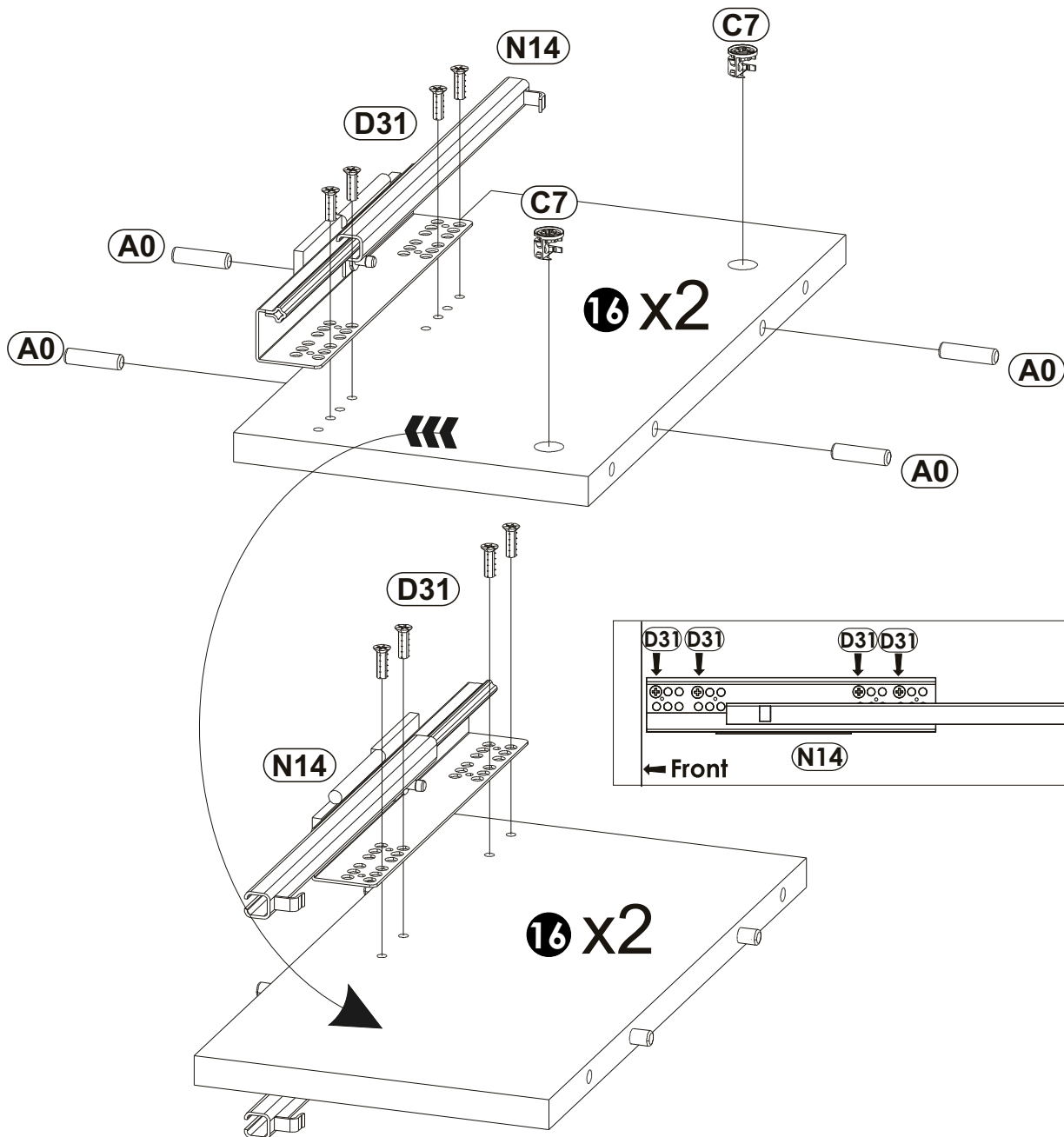
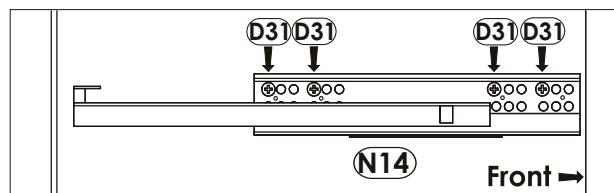


13

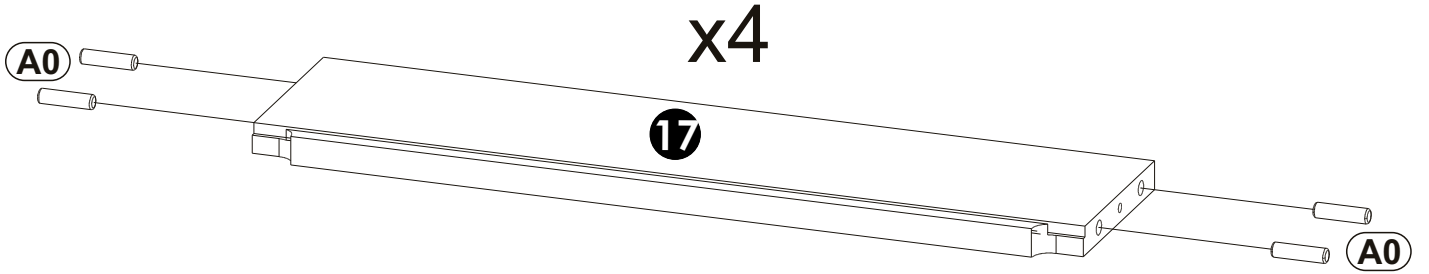
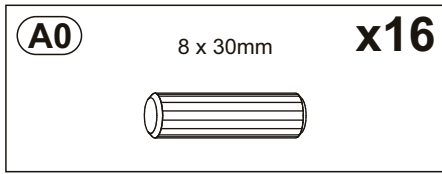


14

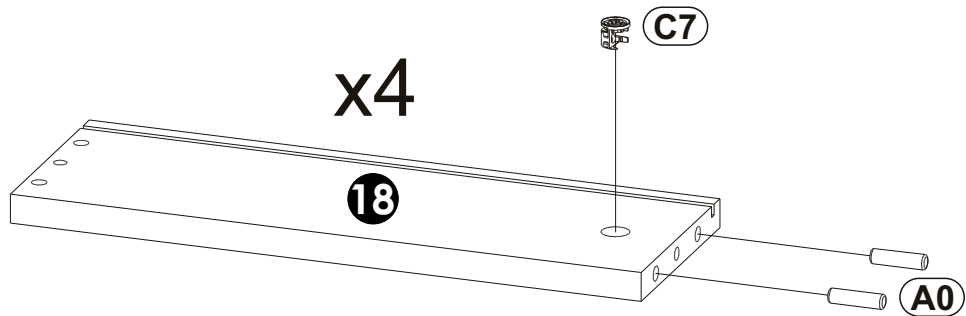
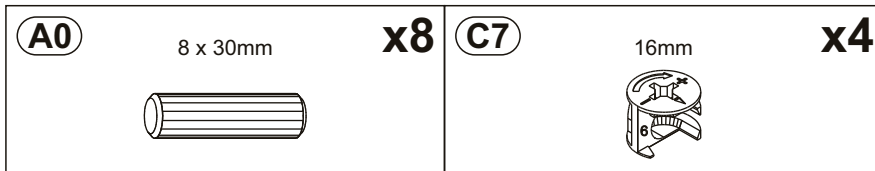
| | | |
|---|---|--|
| (A0) 8 x 30mm x8  | (C7) 16mm x4  | (D31) 6.3 x 13 mm x16  |
| (N14) L-350 x2  | | |



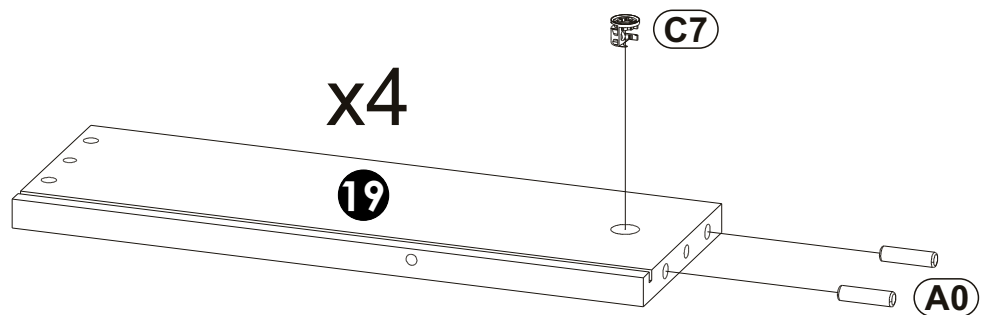
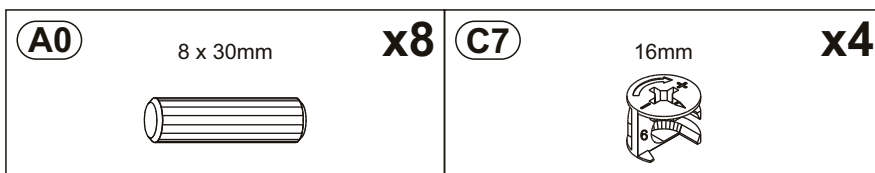
15



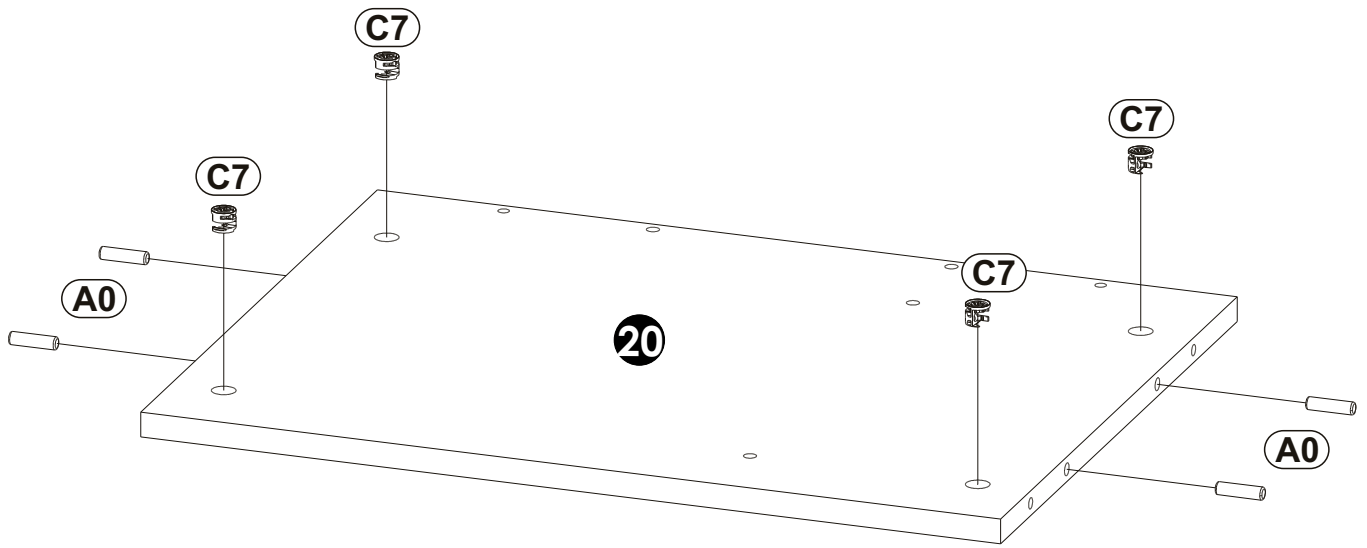
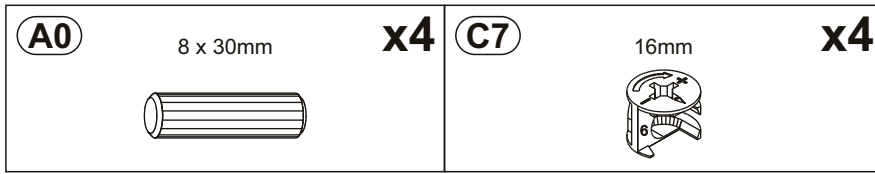
16



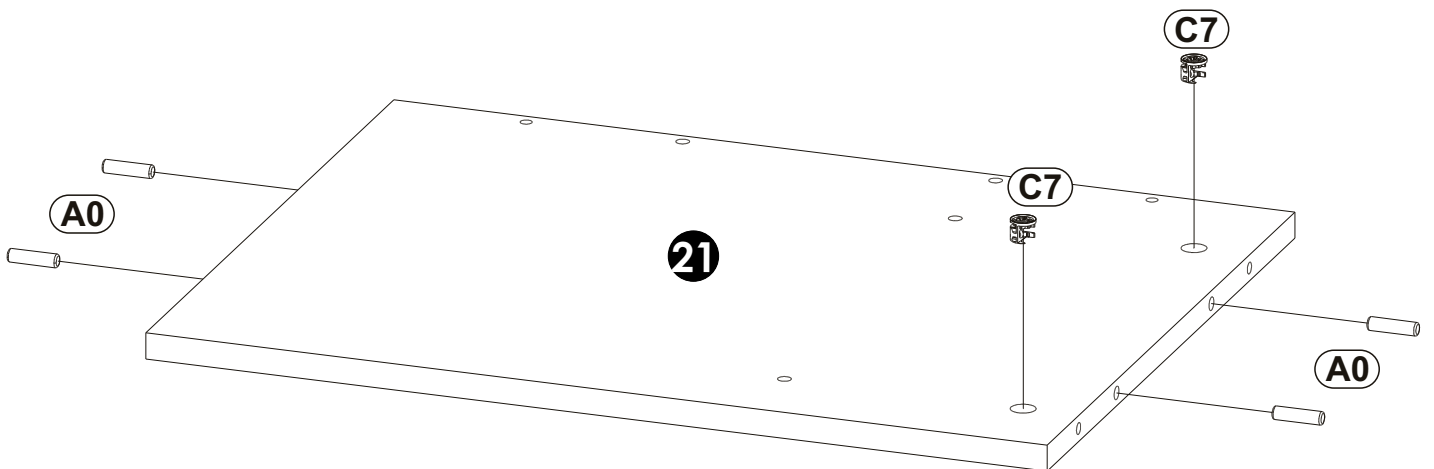
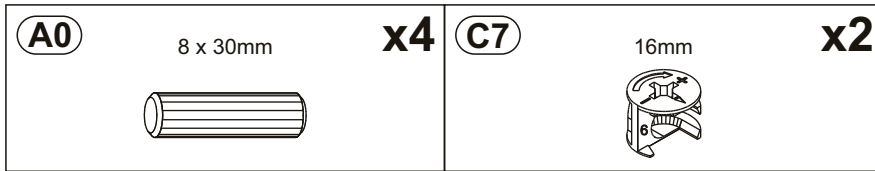
17



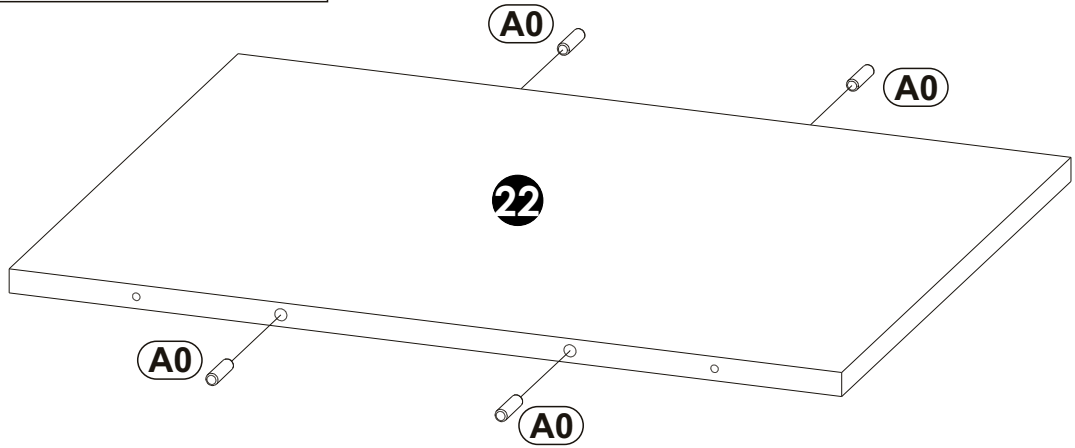
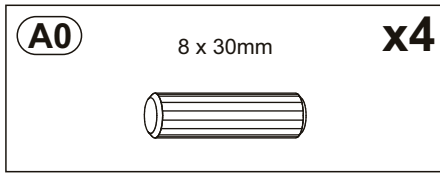
18



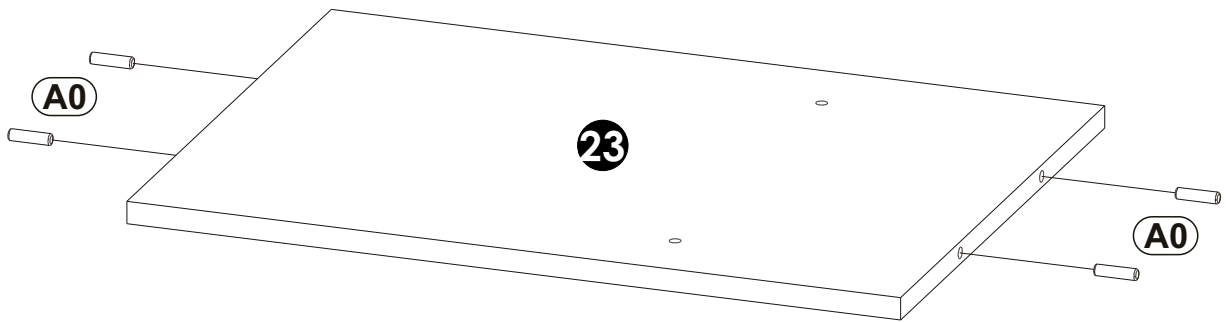
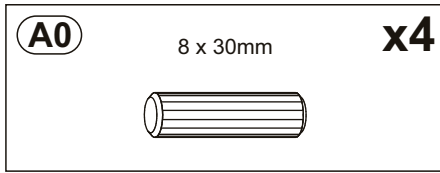
19



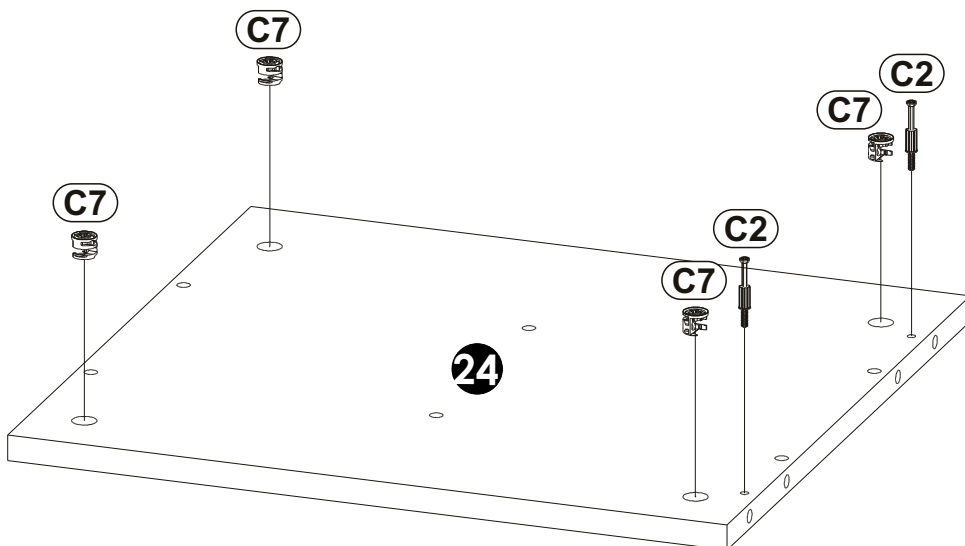
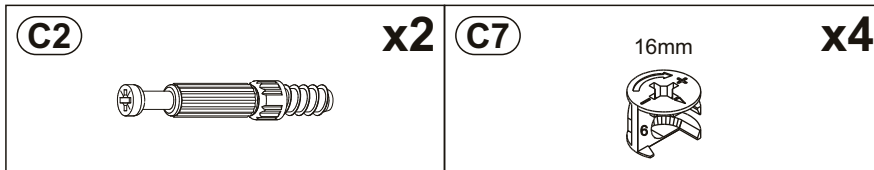
20



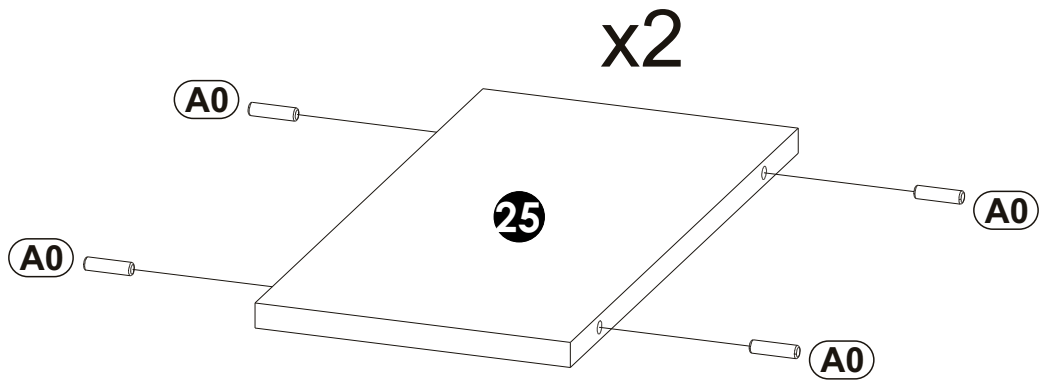
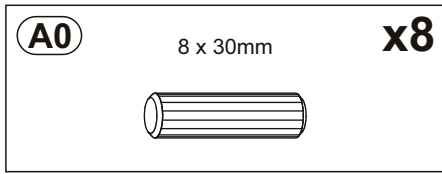
21



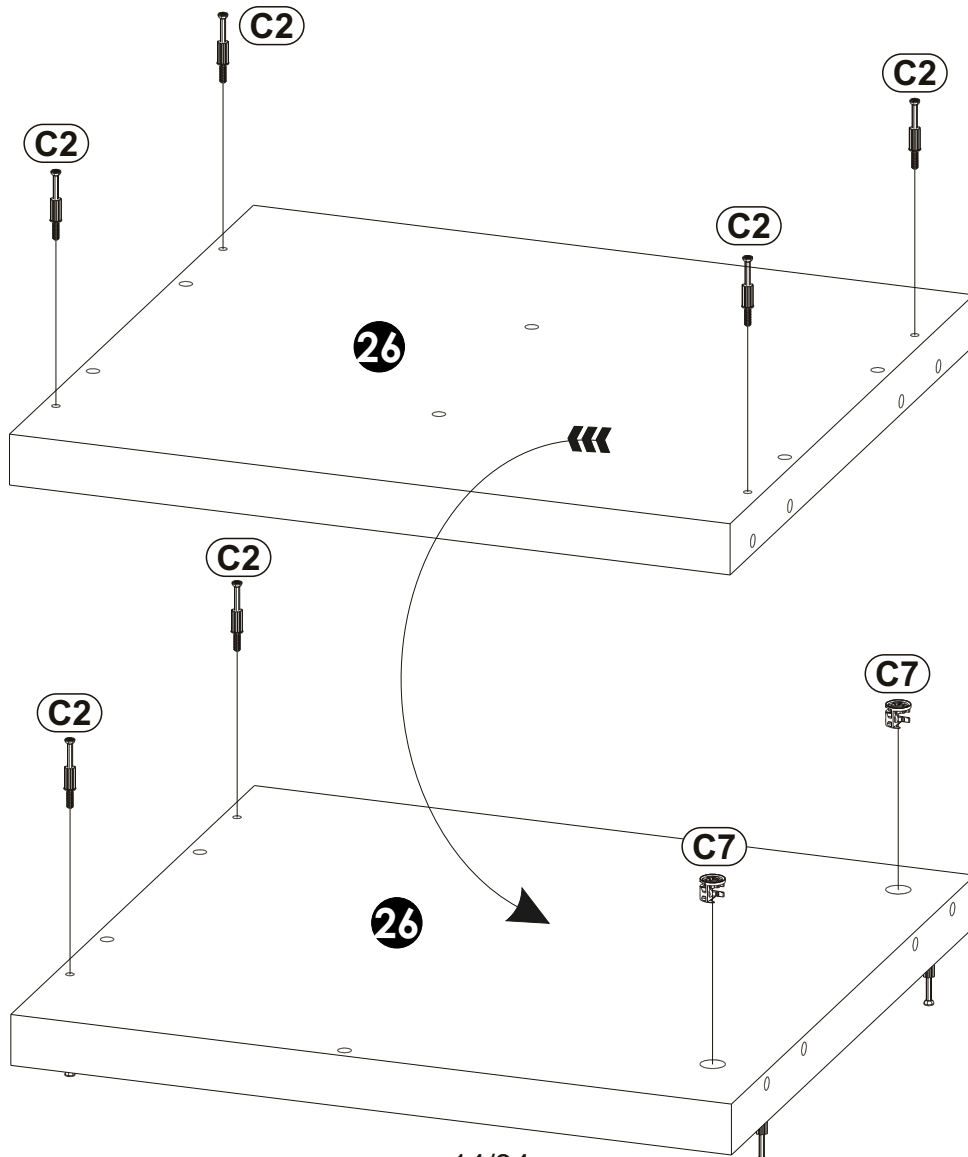
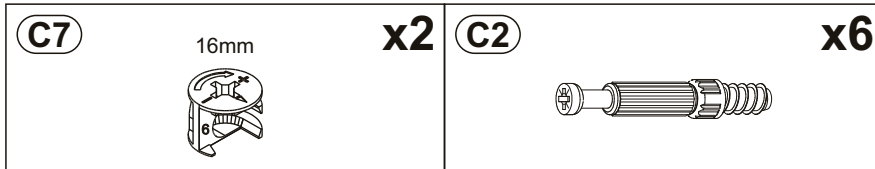
22




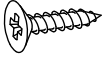
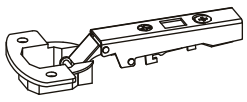

23

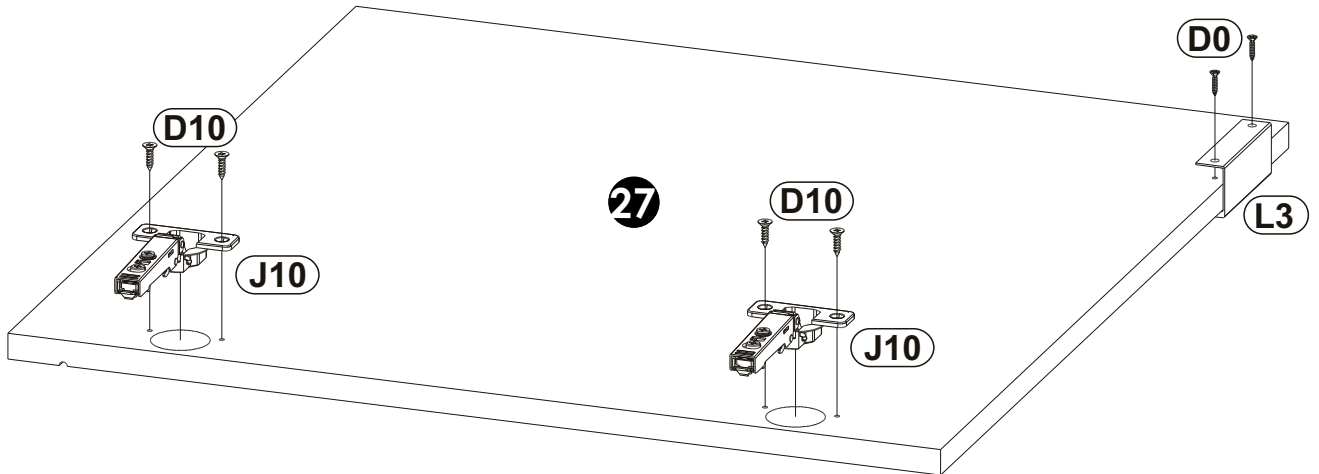


24


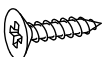
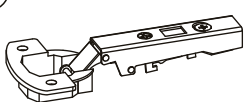



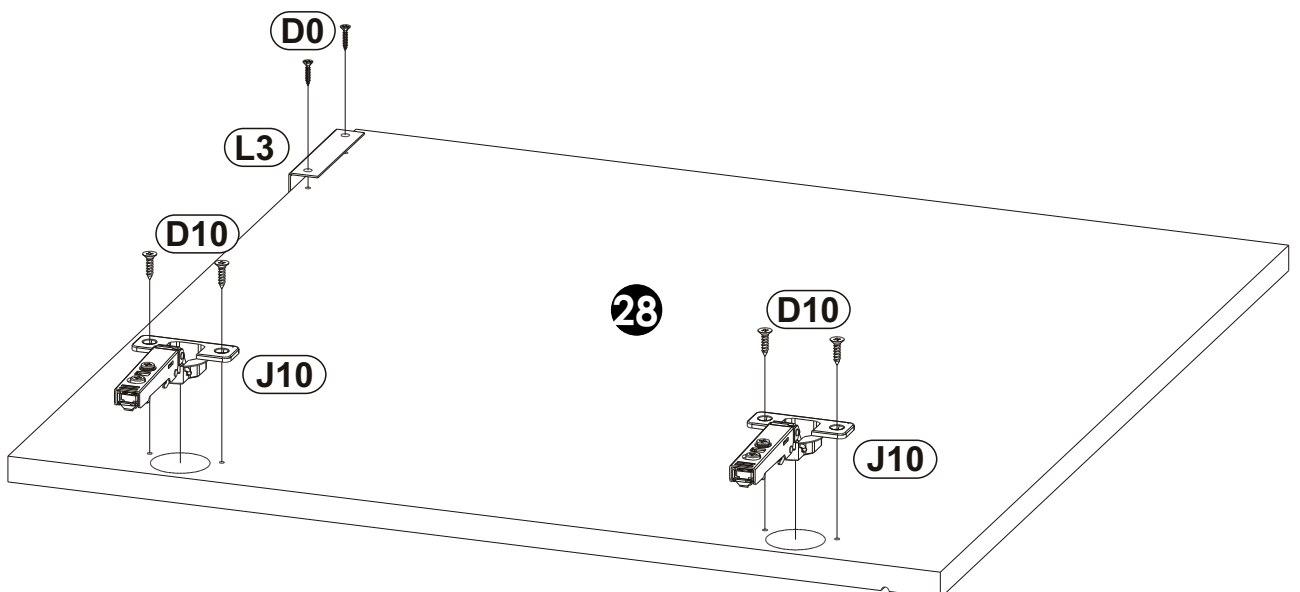
25

| | | | | | |
|---|-----------|--|-----------|---|-----------|
| D0 3 x 15 mm  | x2 | D10 4 x 16 mm  | x4 | J10  | x2 |
| L3  | x1 | | | | |


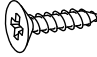
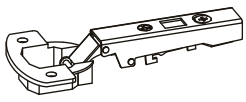



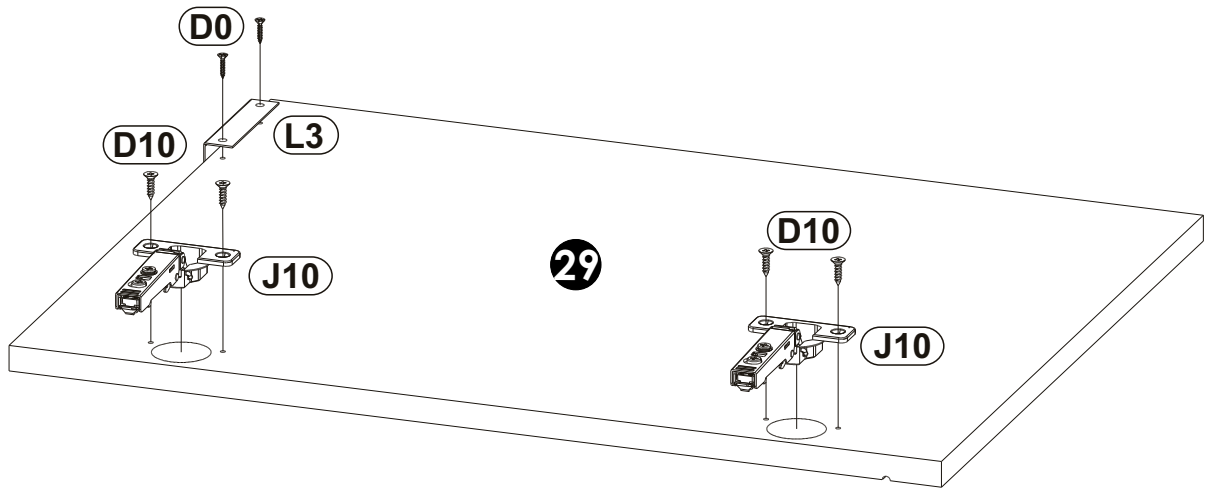
26

| | | | | | |
|---|-----------|--|-----------|---|-----------|
| D0 3 x 15 mm  | x2 | D10 4 x 16 mm  | x4 | J10  | x2 |
| L3  | x1 | | | | |


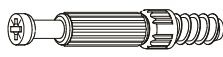



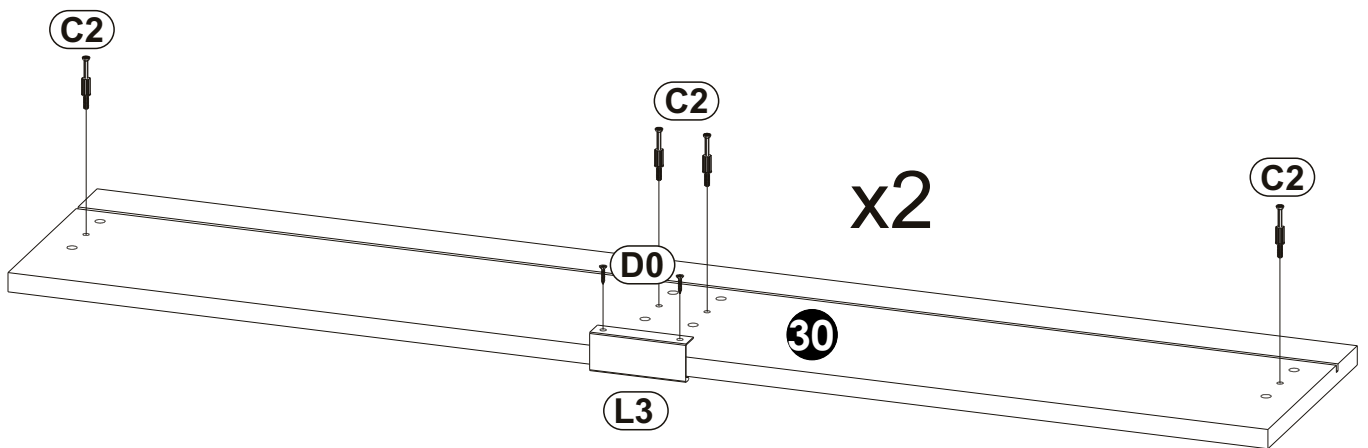
27

| | | | | | |
|---|-----------|--|-----------|---|-----------|
| (D0) 3 x 15 mm  | x2 | (D10) 4 x 16 mm  | x4 | (J10)  | x2 |
| (L3)  | x1 | | | | |

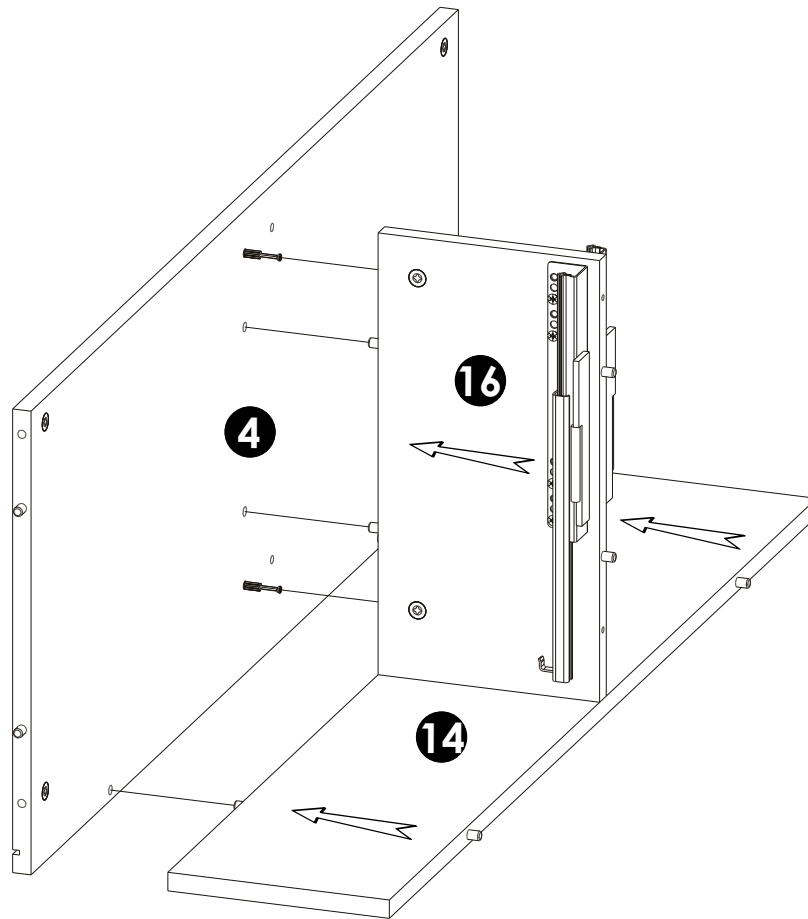


28

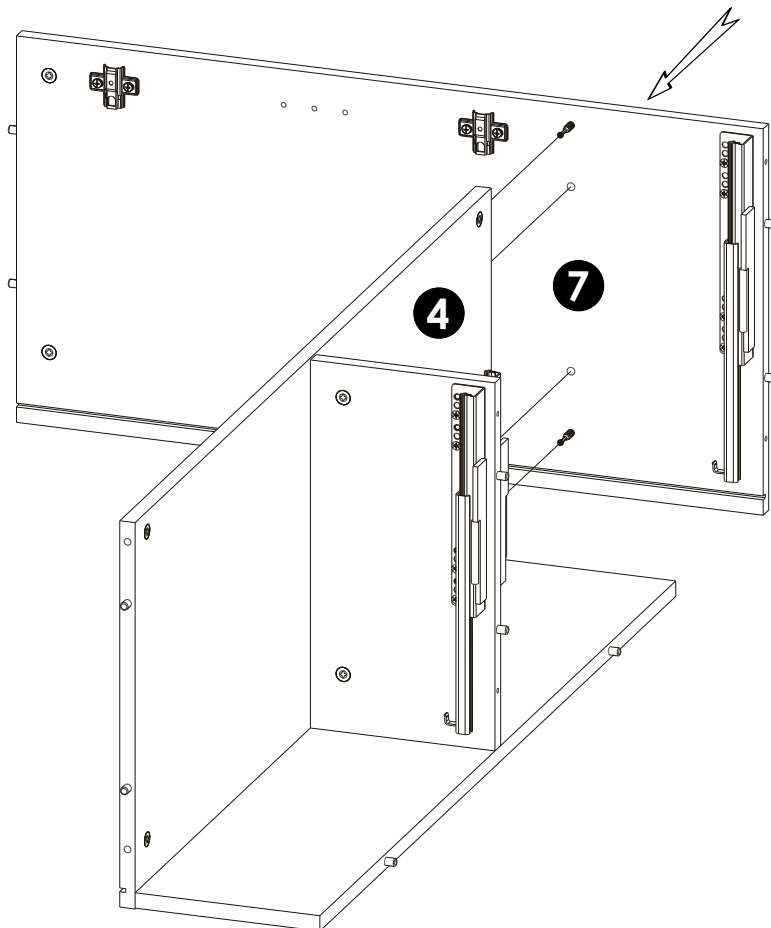
| | | | | | |
|---|-----------|--|-----------|--|-----------|
| (D0) 3 x 15 mm  | x4 | (C2)  | x8 | (L3)  | x2 |
|---|-----------|--|-----------|--|-----------|



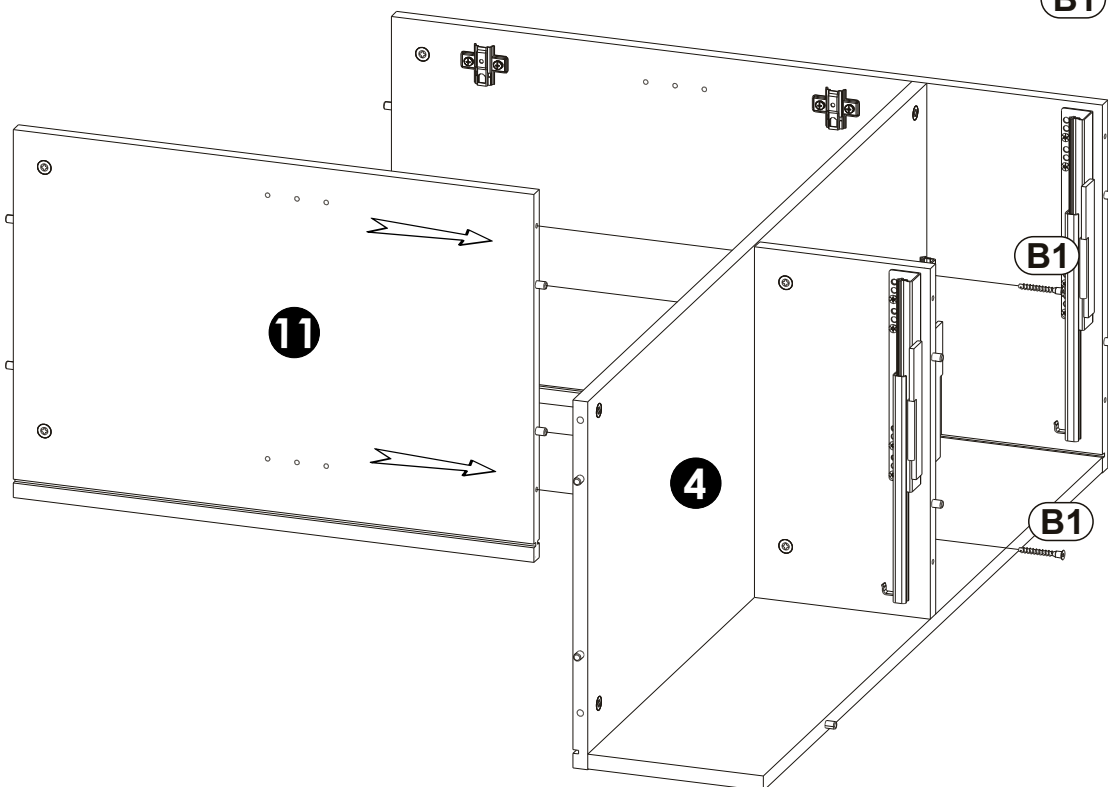
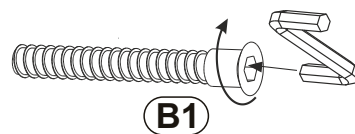
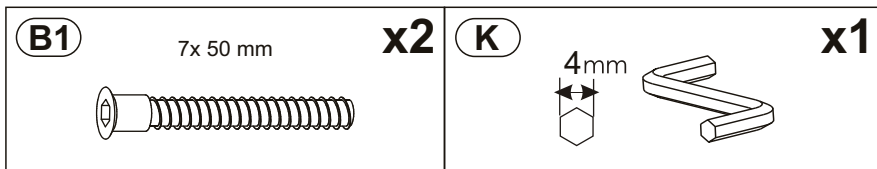
29



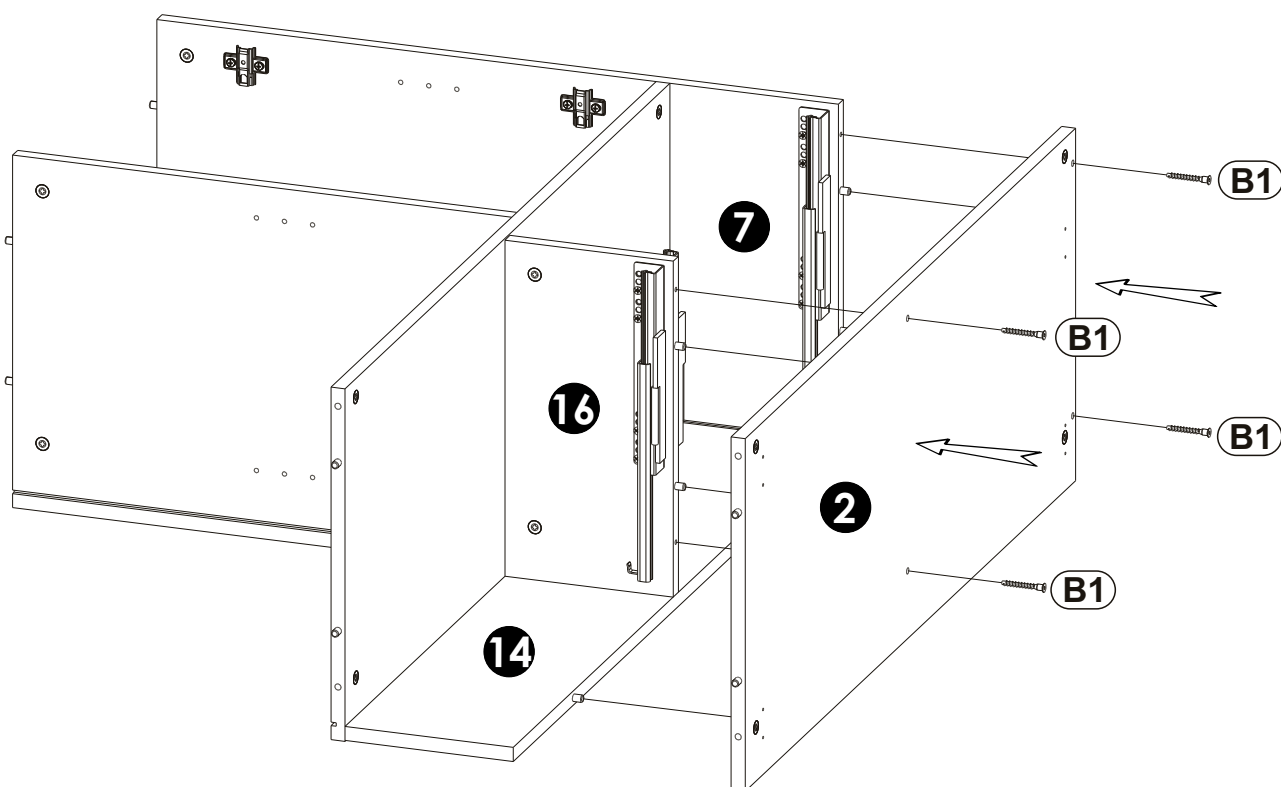
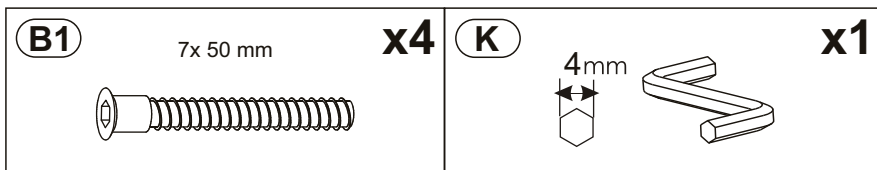
30



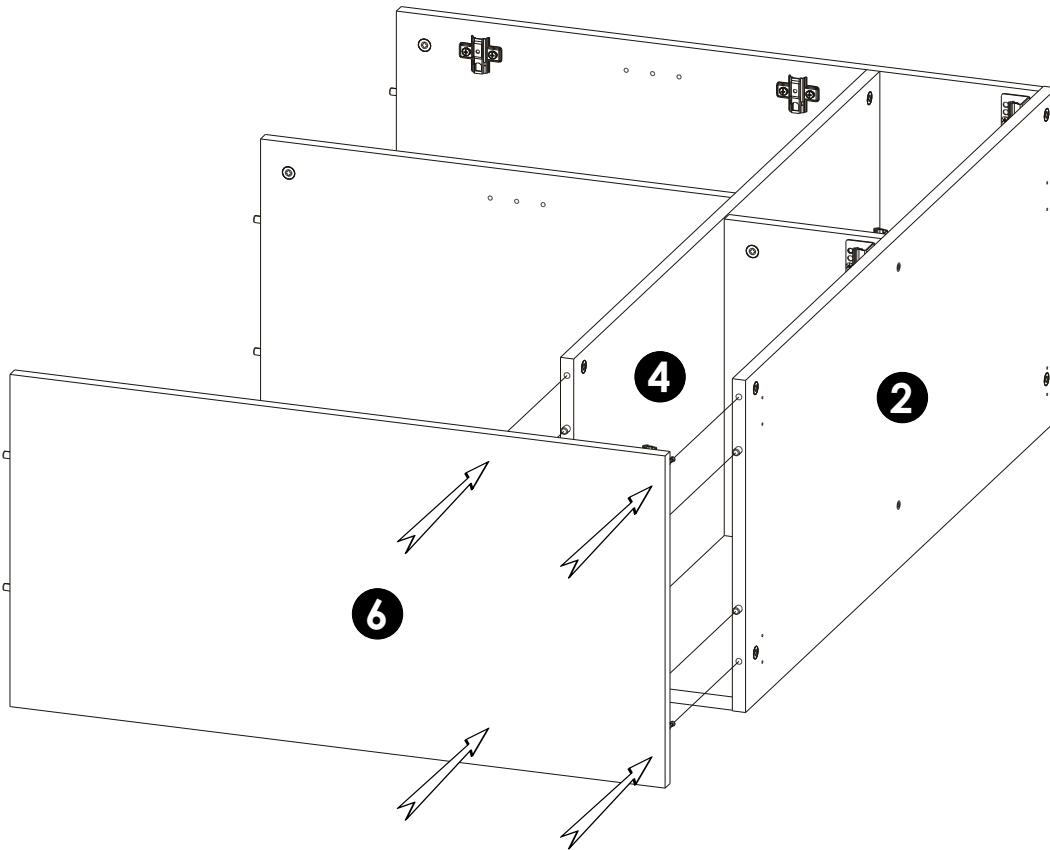
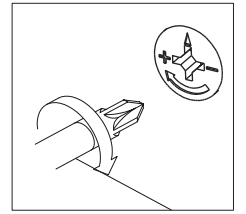
31



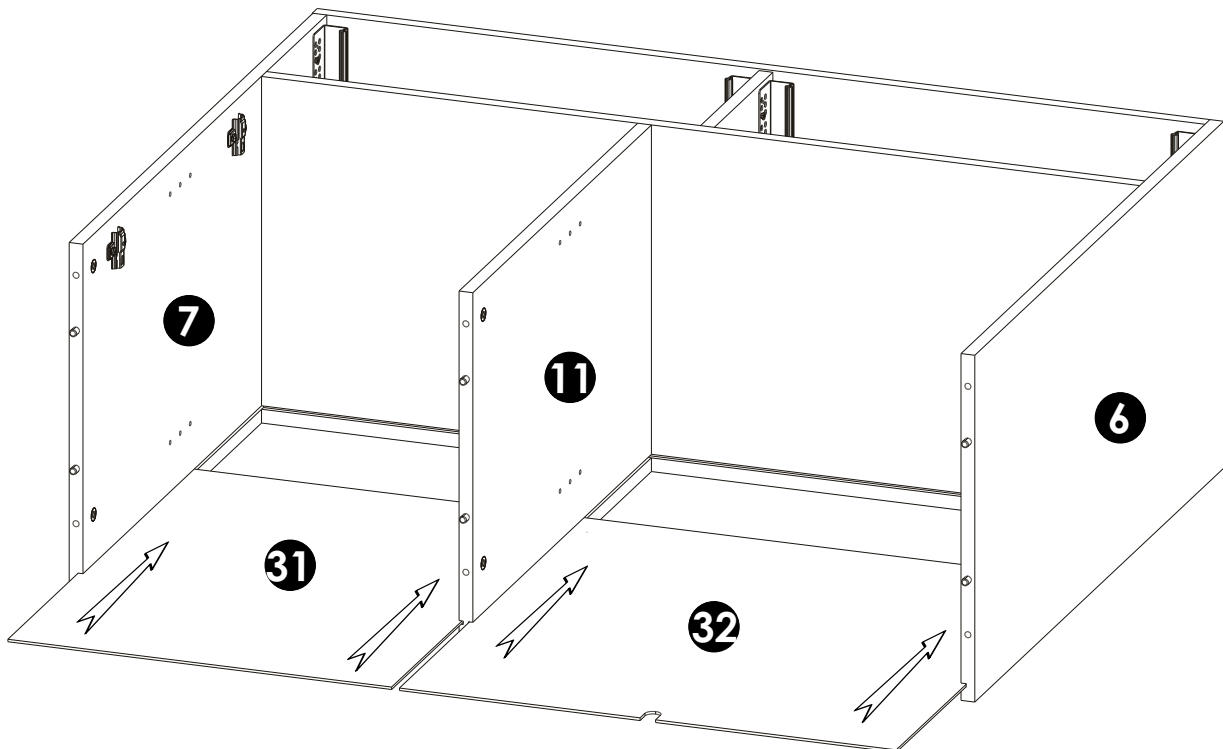
32



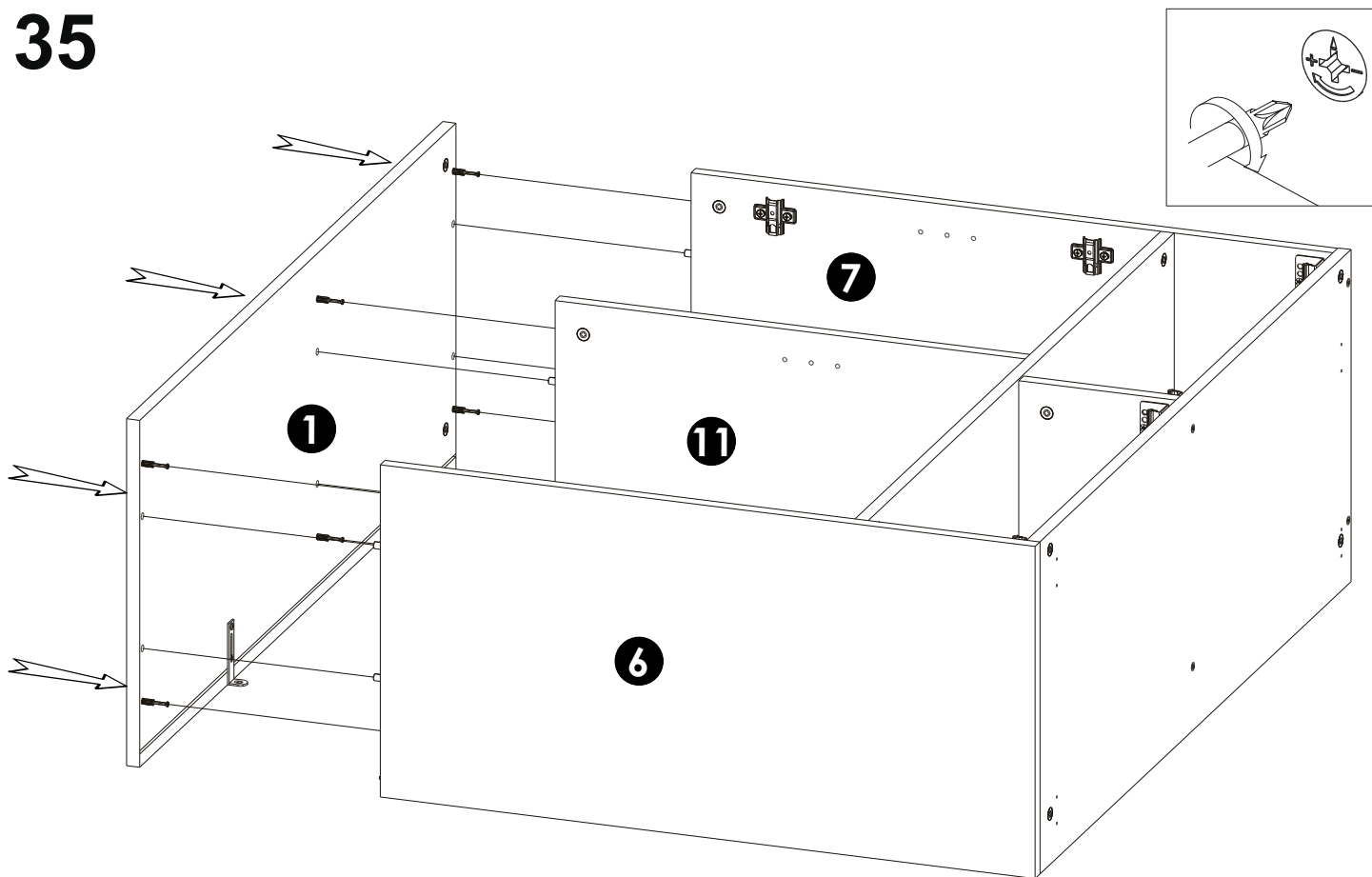
33




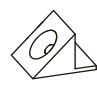
34

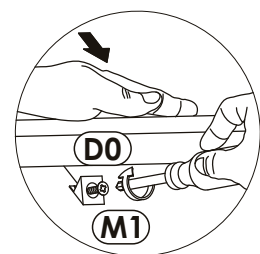
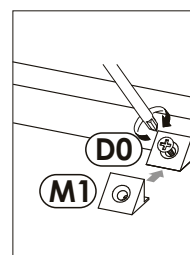
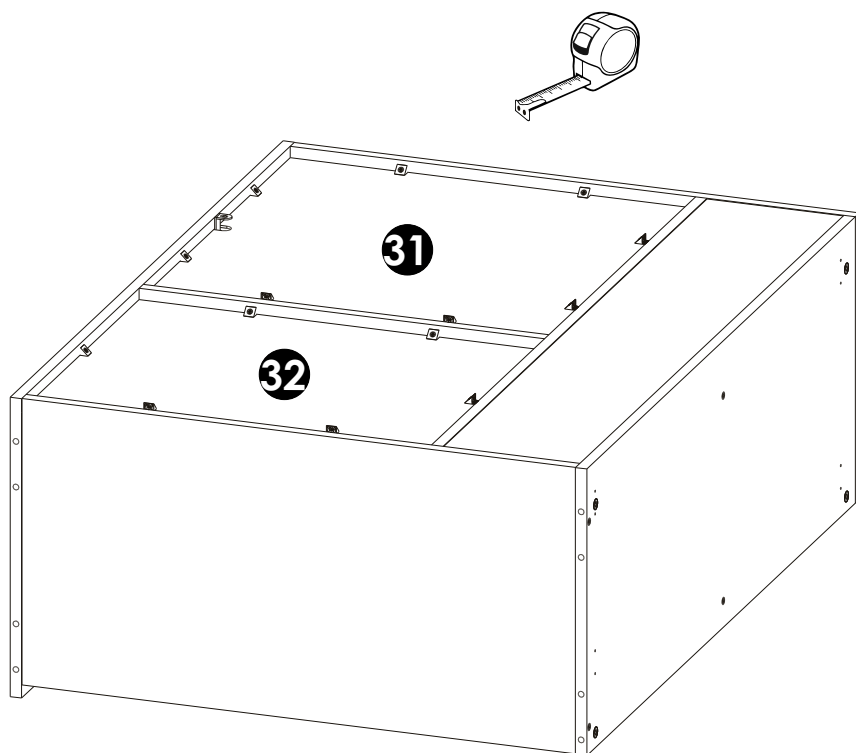
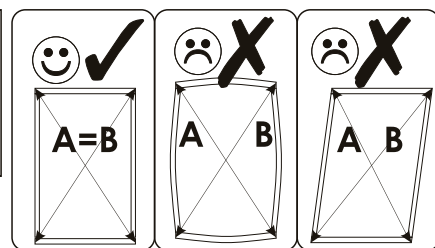


35

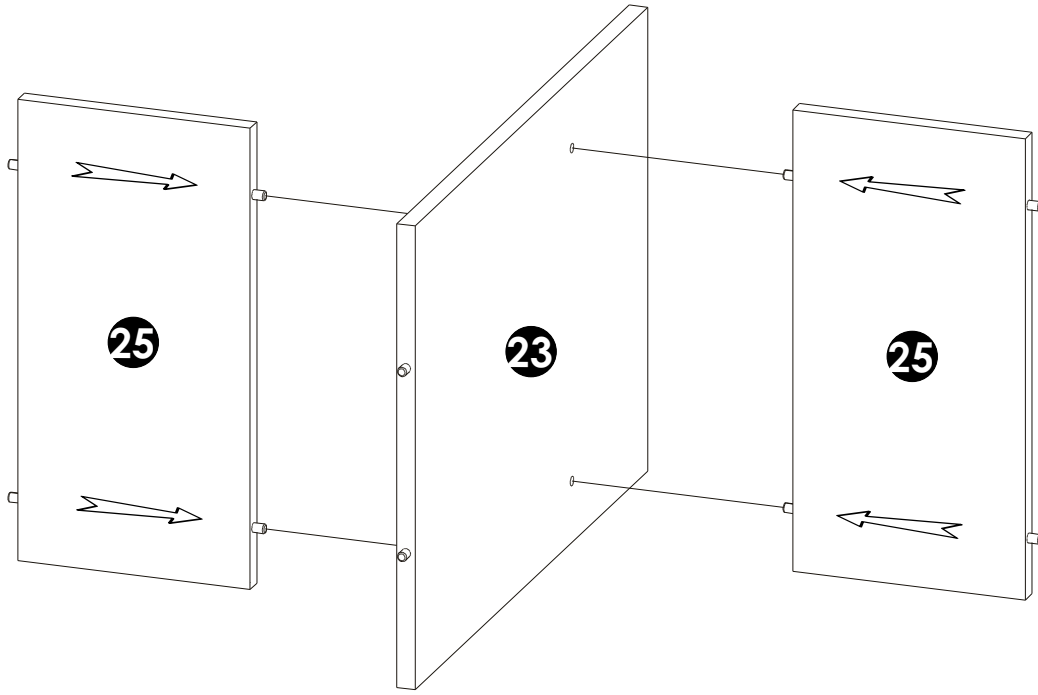


36

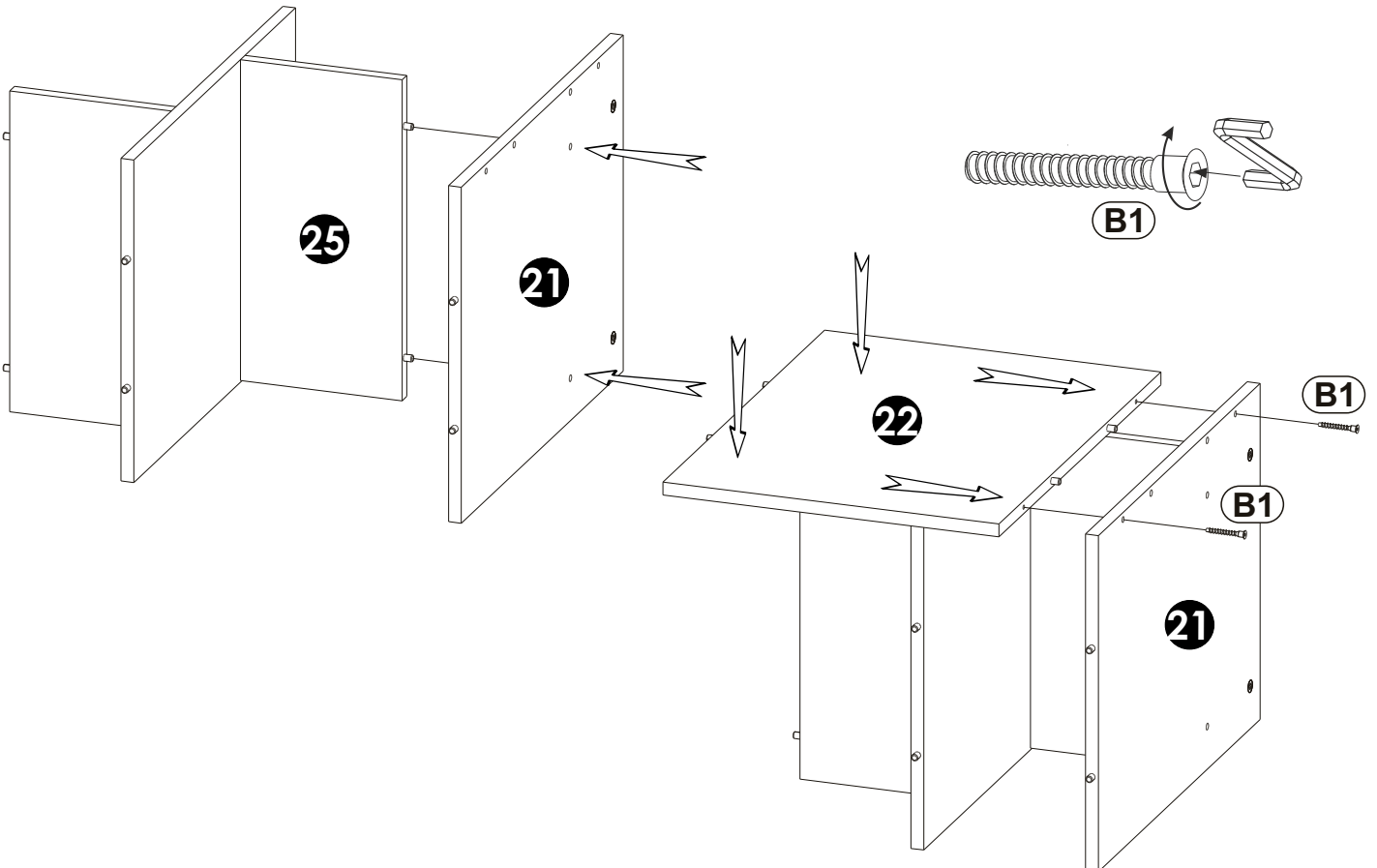
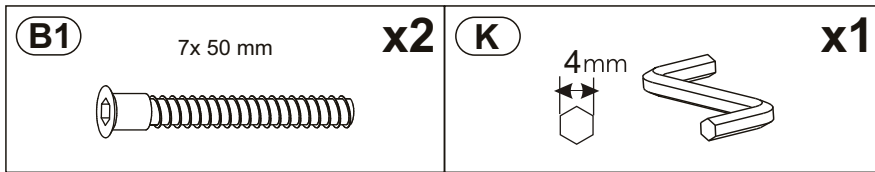
| | | | | |
|-------------|---|------------|---|------------|
| (D0) | 3 x 15 mm | x14 | (M1) | x14 |
| |  | |  | |



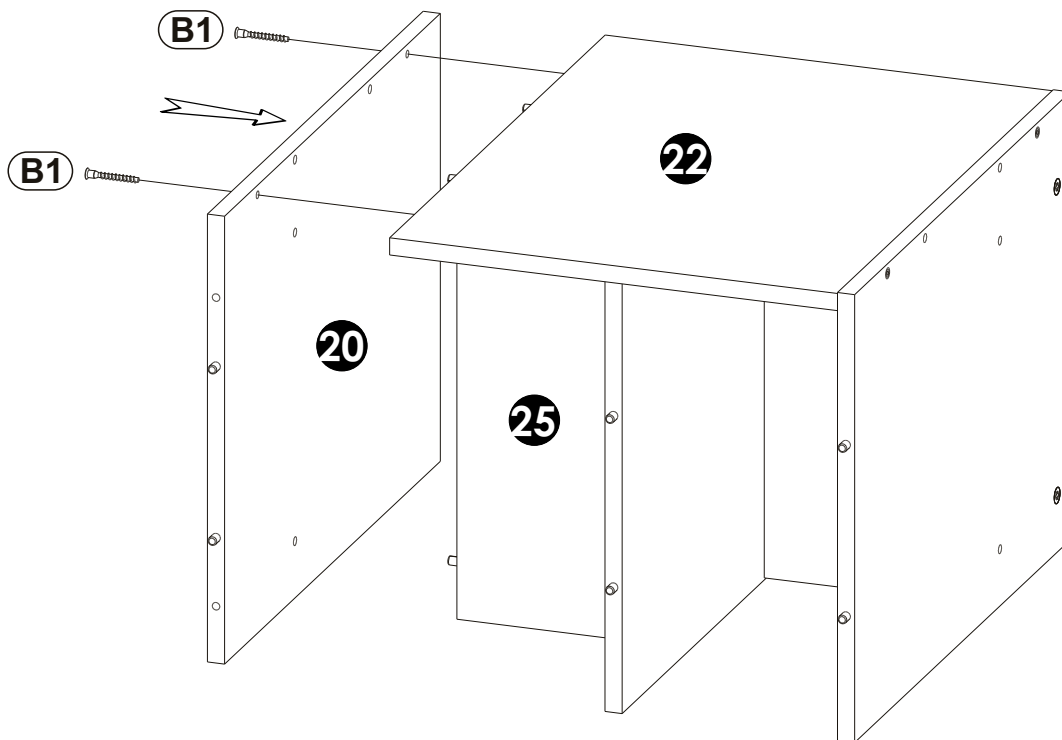
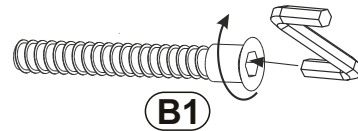
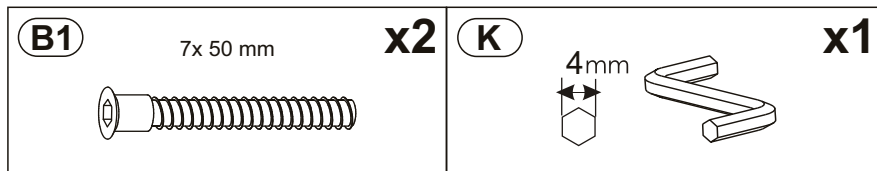
37



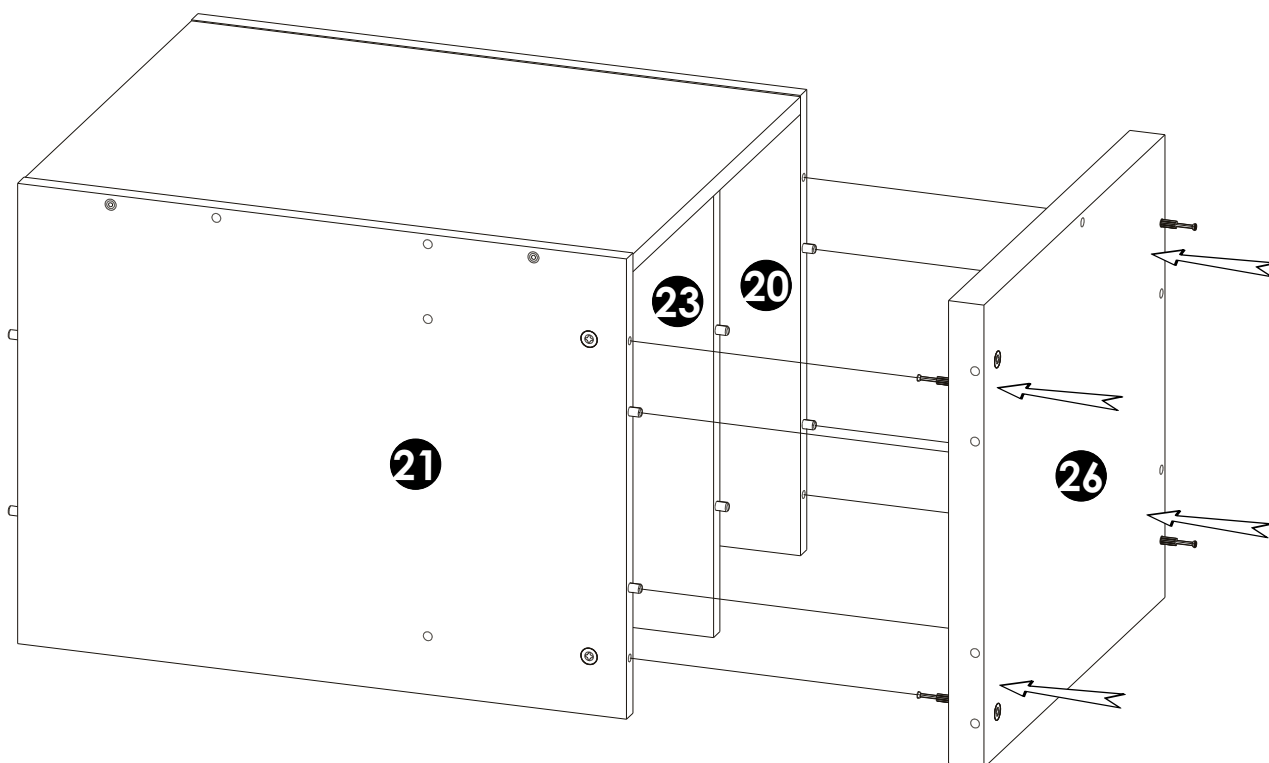
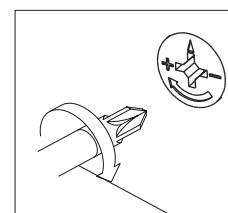
38



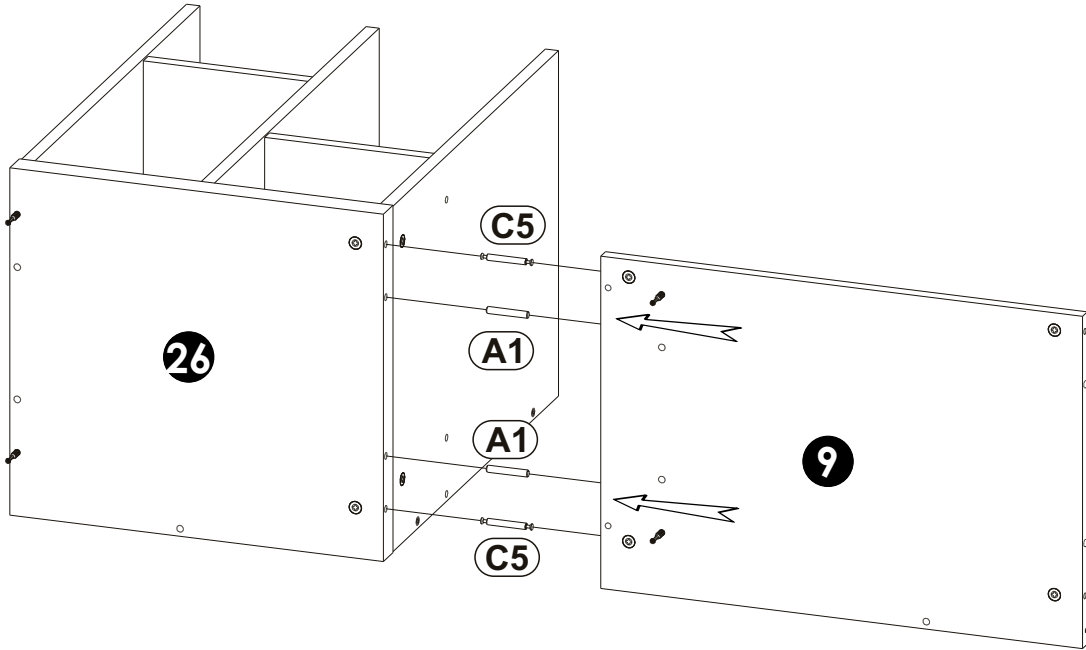
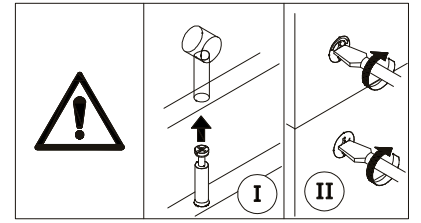
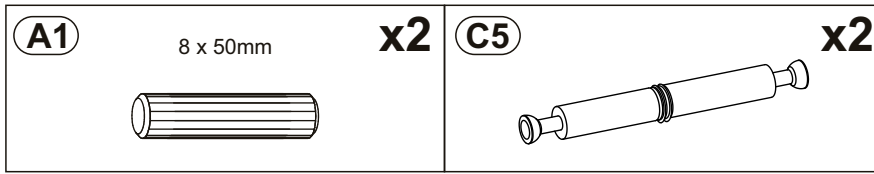
39



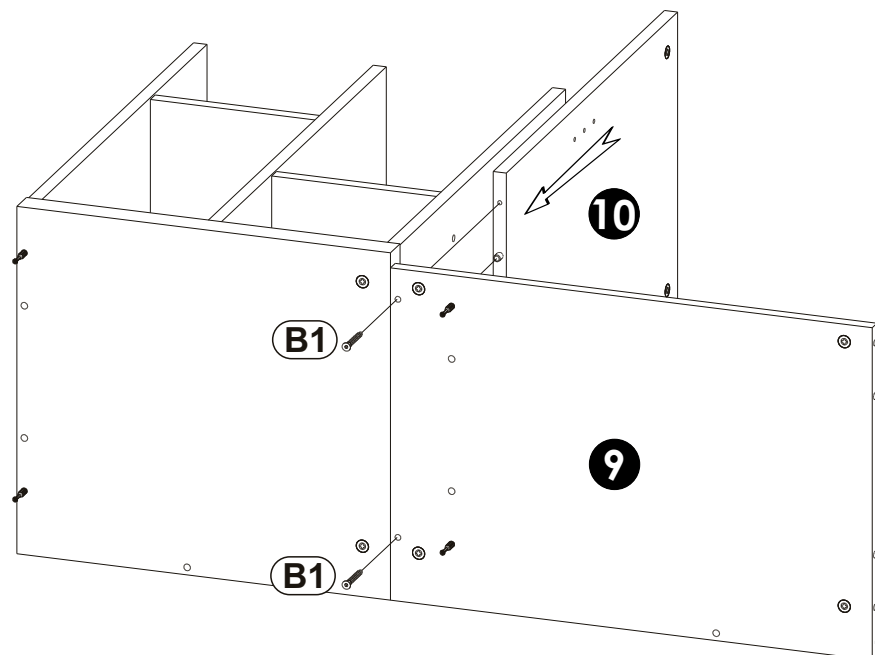
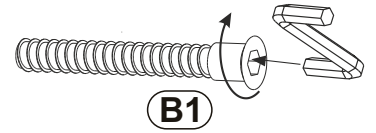
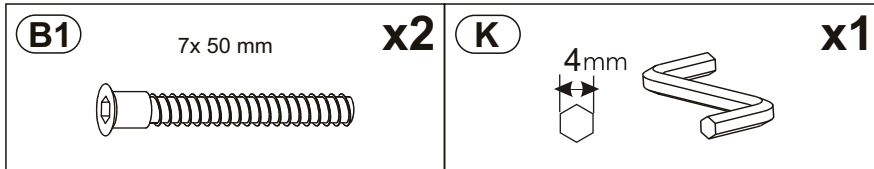
40



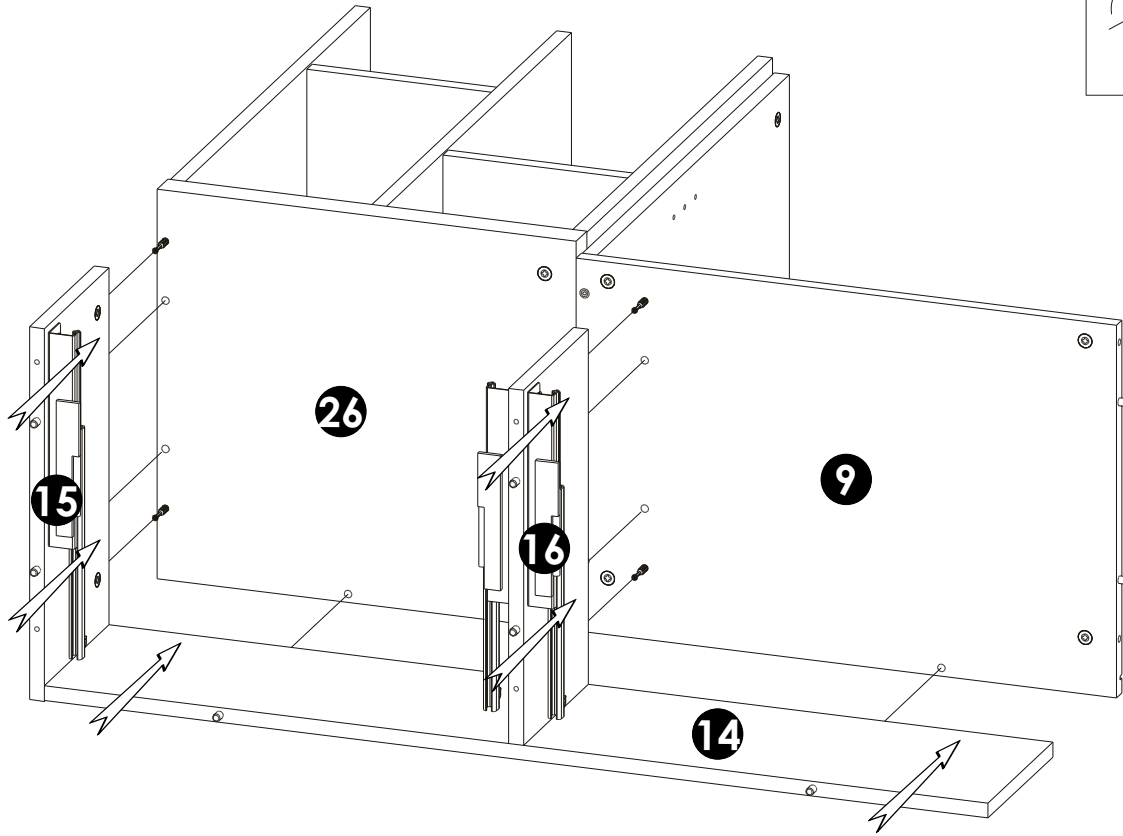
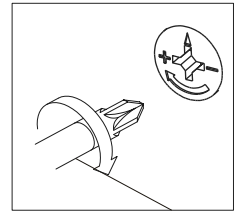
41



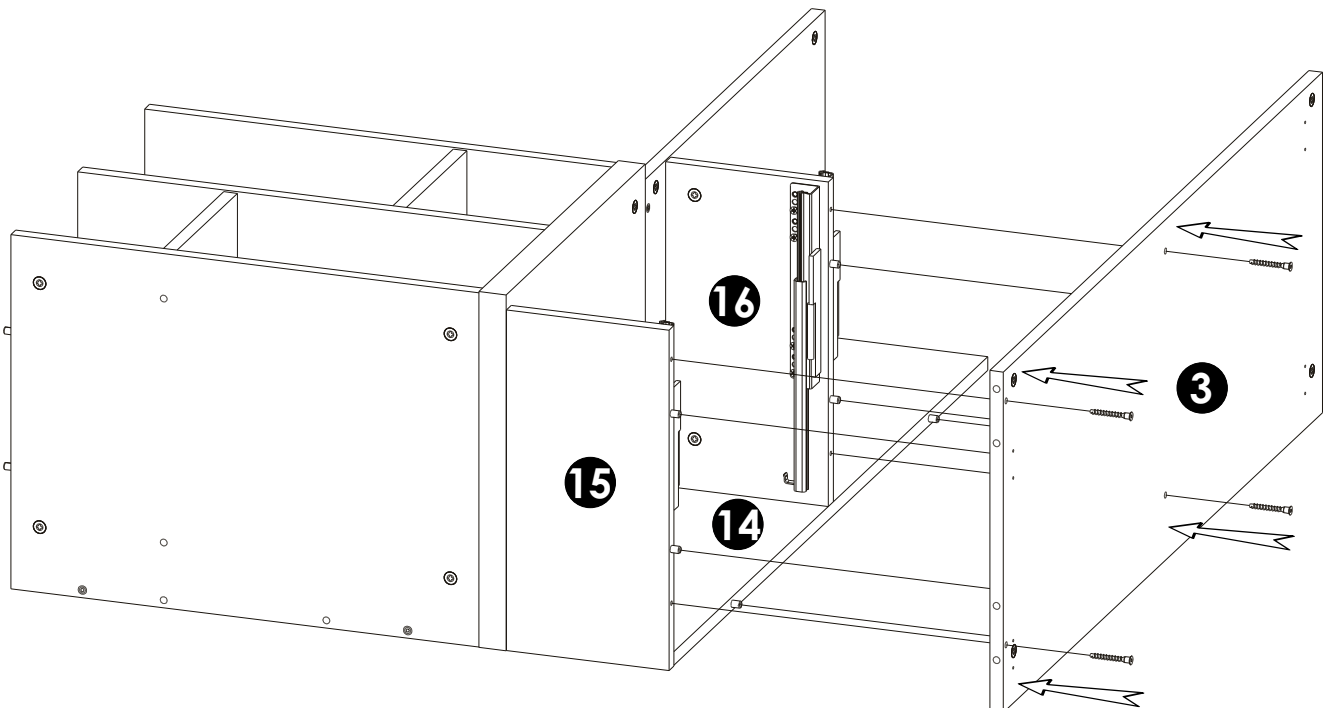
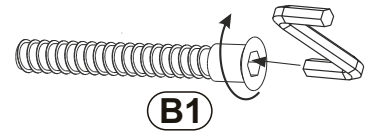
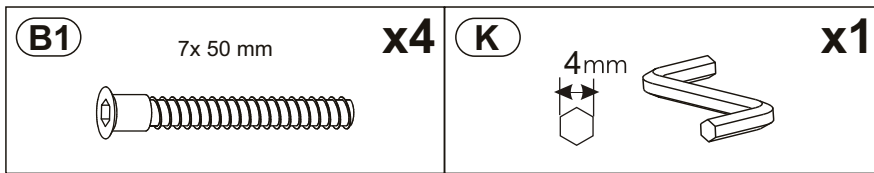
42



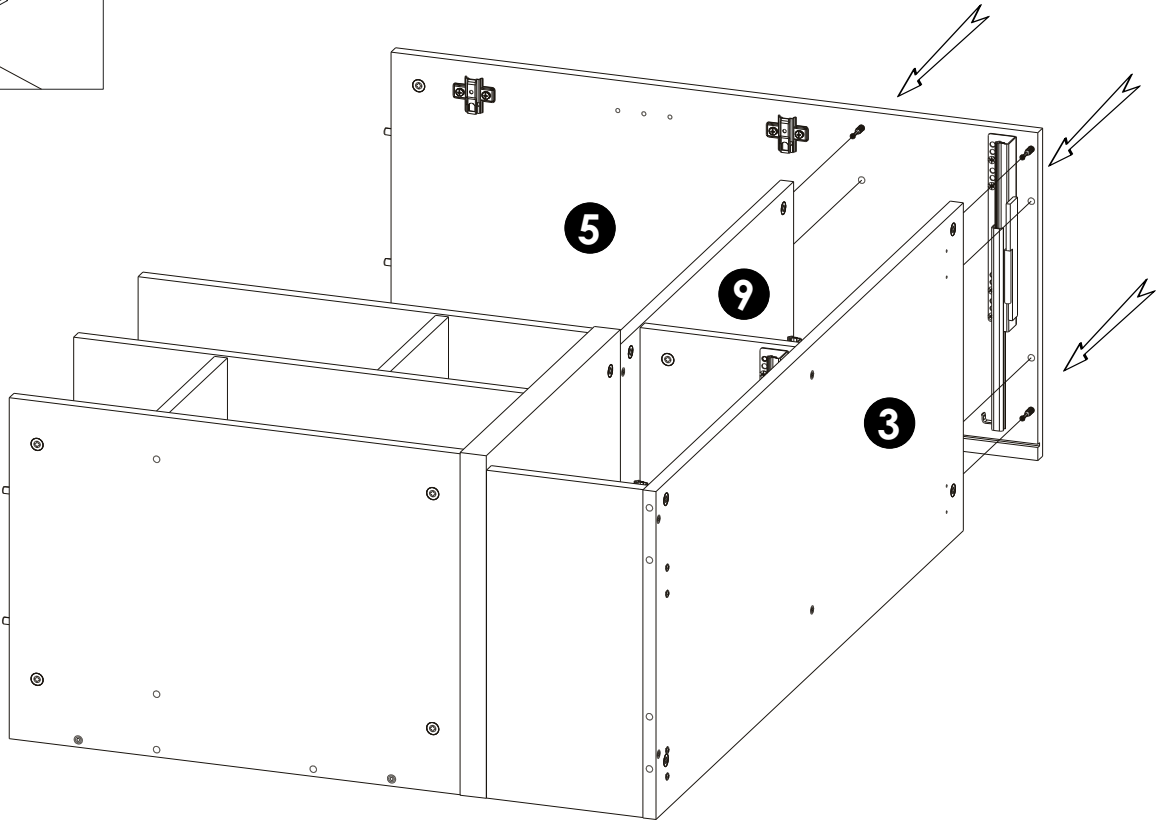
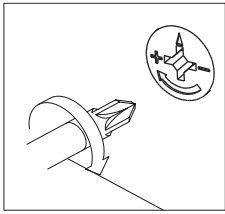
43



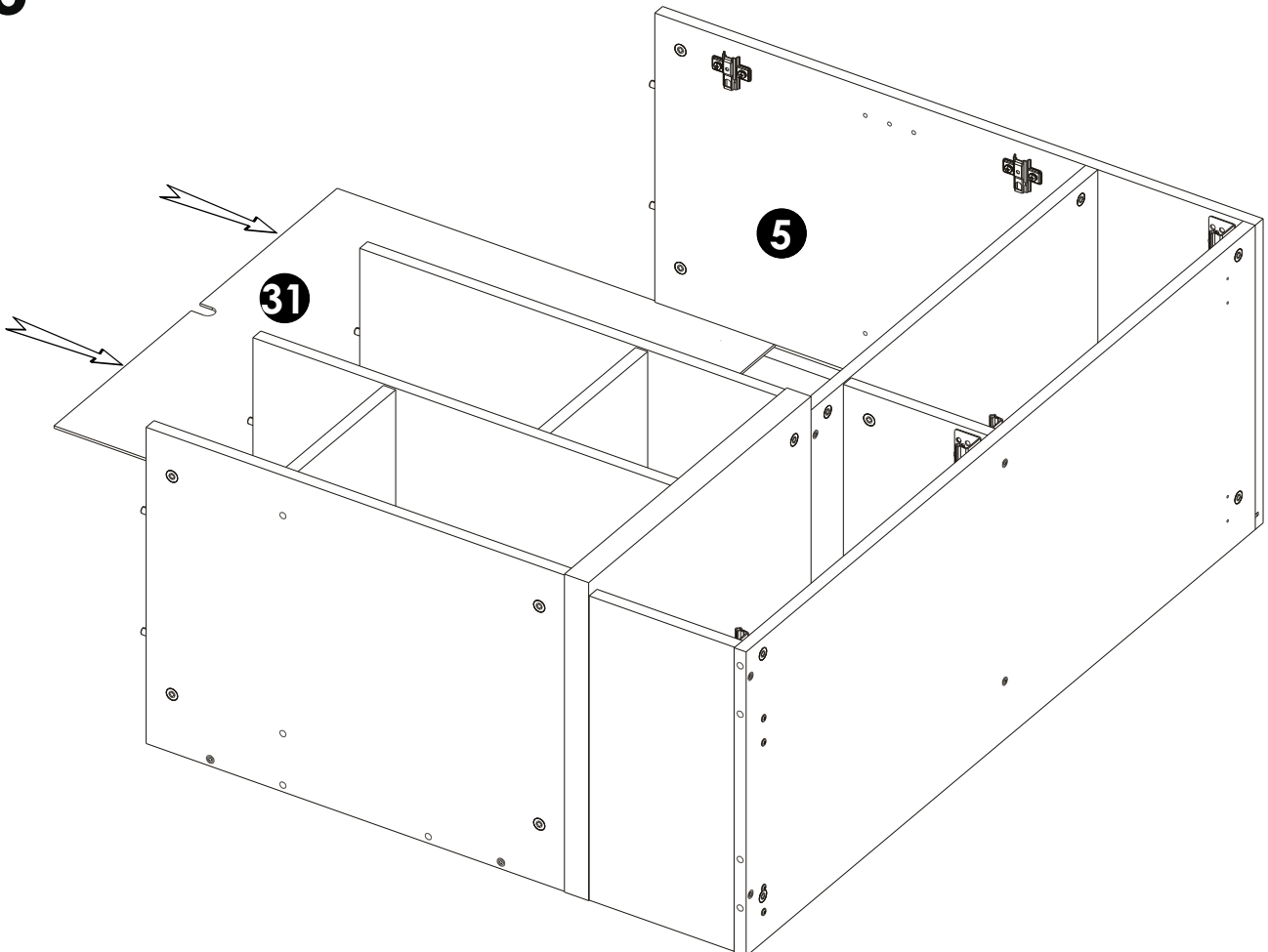
44



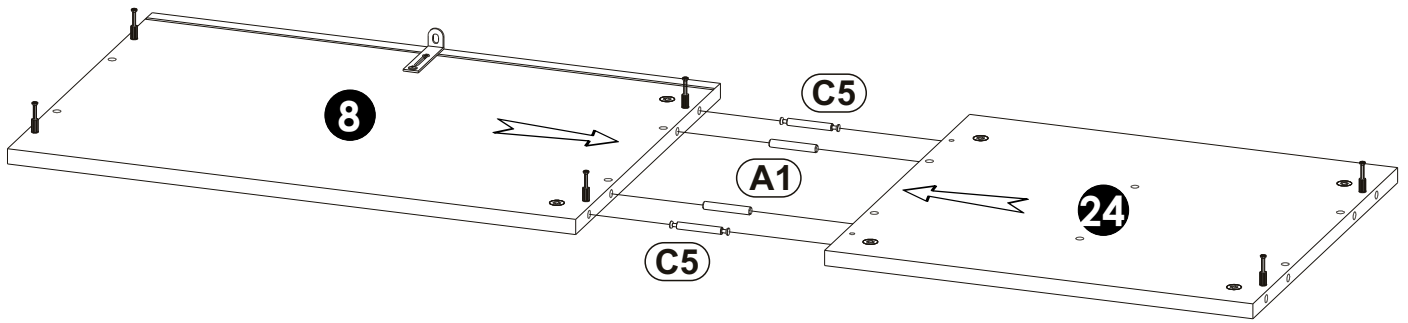
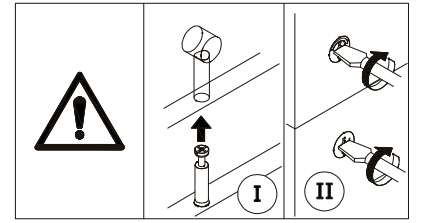
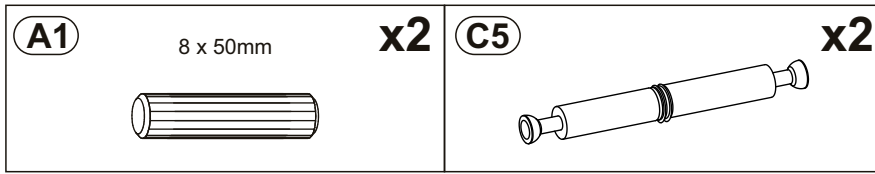
45



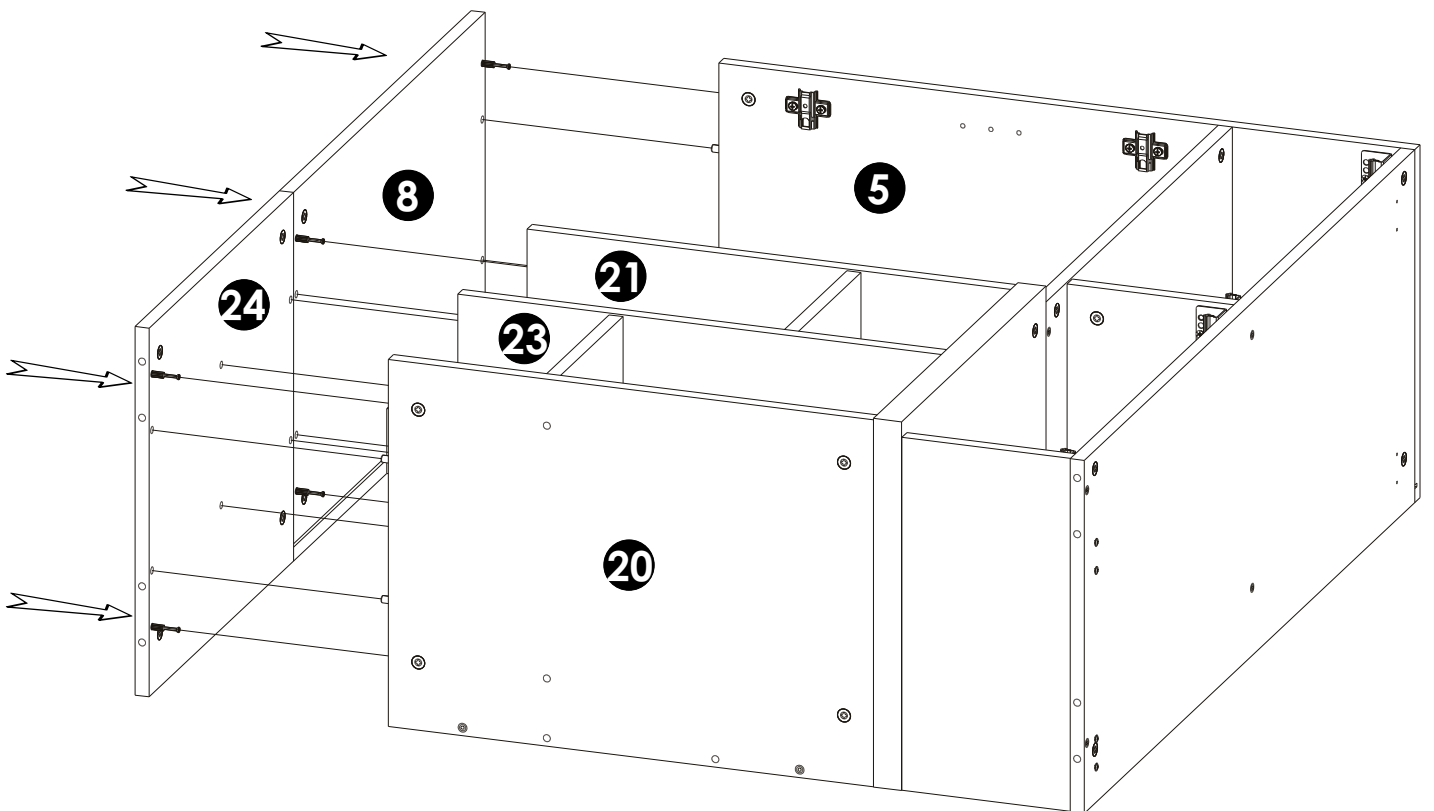
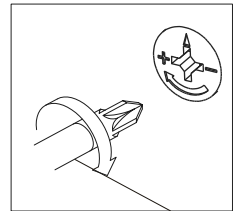
46



47

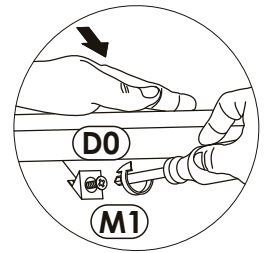
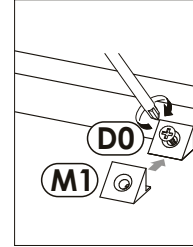
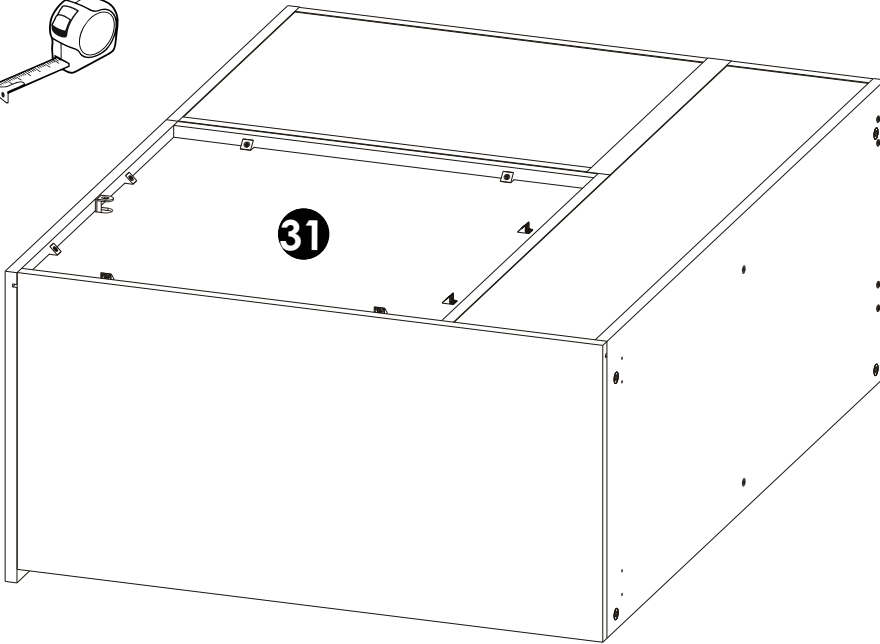
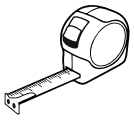
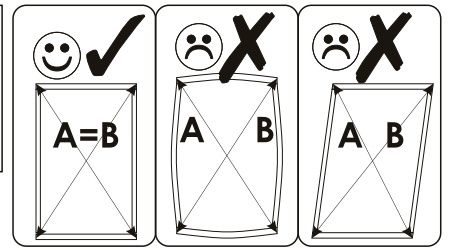



48



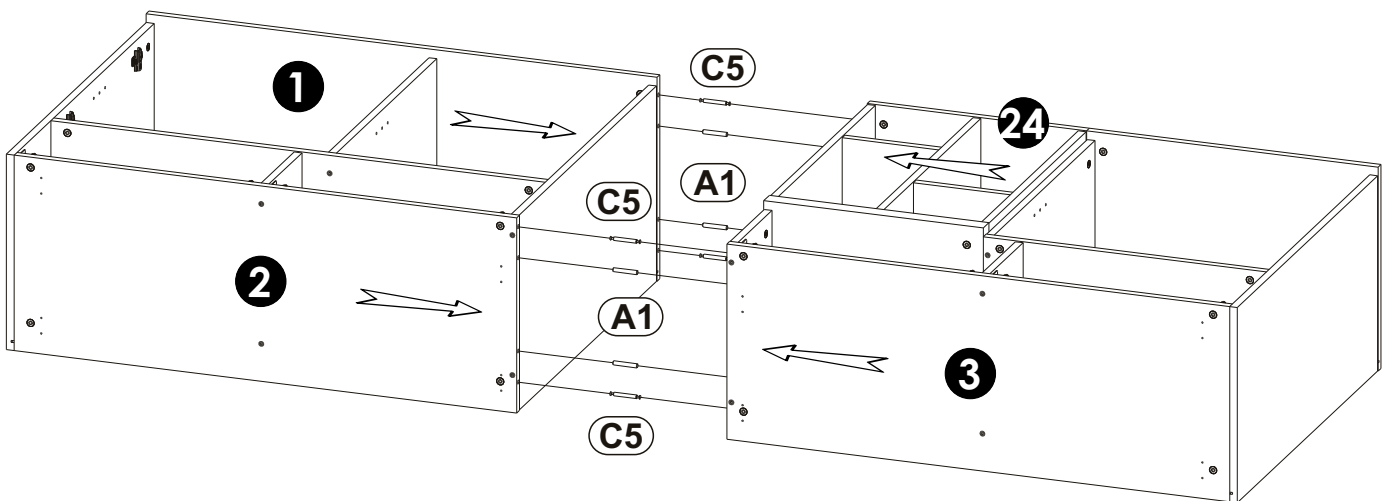
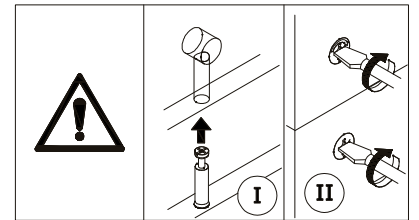

49

| | | | | | |
|-------------|-----------|-----------|-------------|--|-----------|
| (D0) | 3 x 15 mm | x8 | (M1) | | x8 |
|-------------|-----------|-----------|-------------|--|-----------|

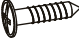
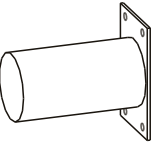


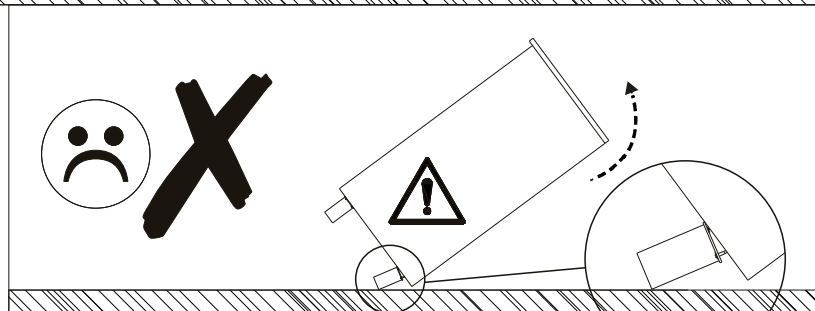
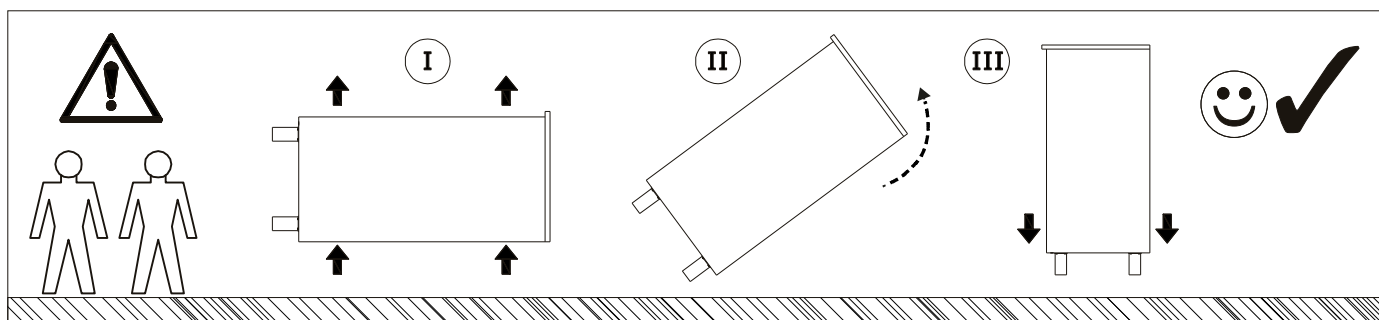
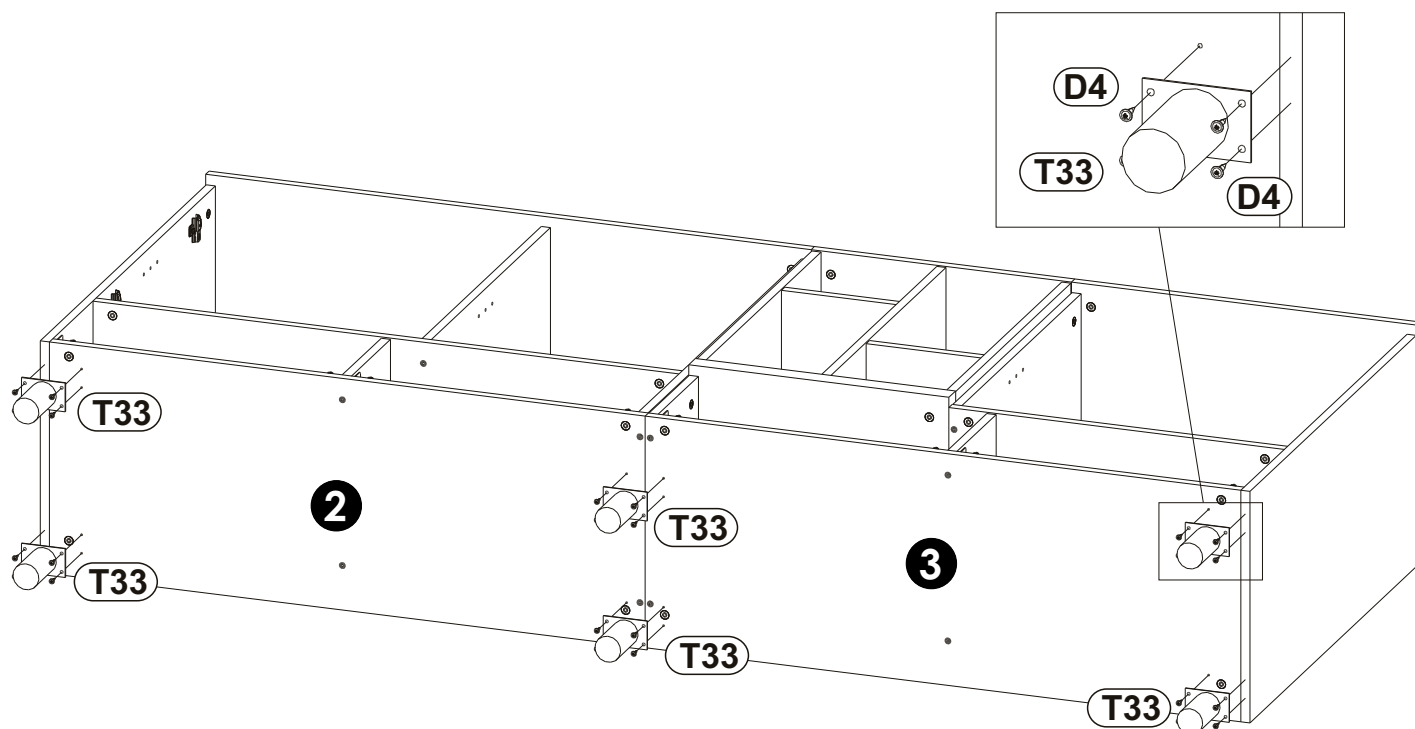
50

| | | | | | |
|-------------|----------|-----------|-------------|--|-----------|
| (A1) | 8 x 50mm | x4 | (C5) | | x4 |
|-------------|----------|-----------|-------------|--|-----------|



51

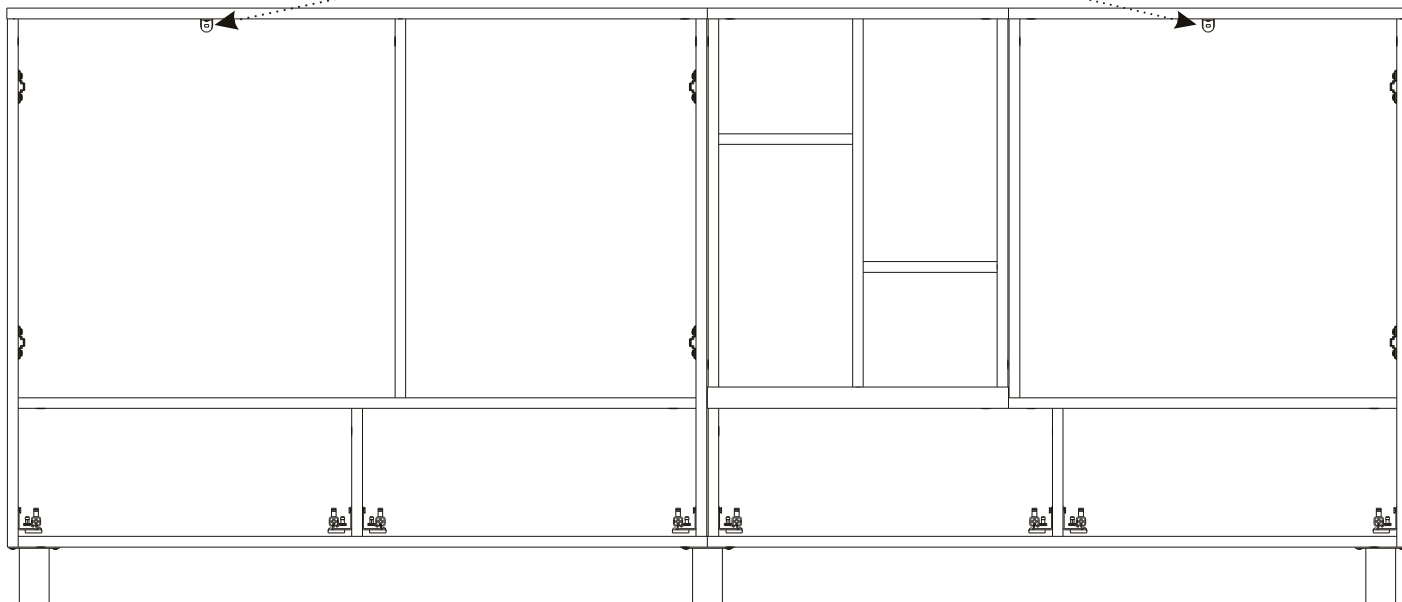
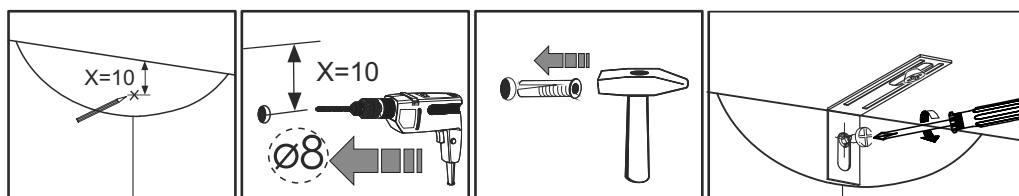
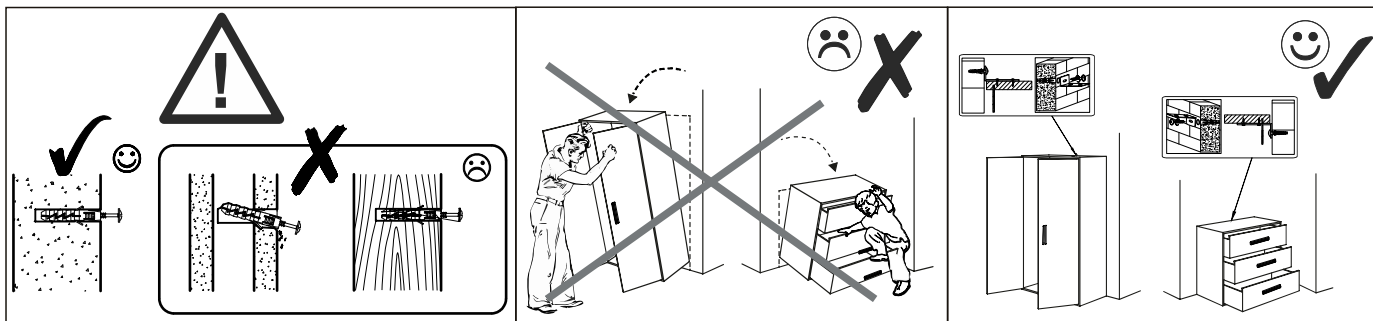
| | | | |
|---|------------|--|-----------|
| D4 3,5 x 17 mm  | x24 | T33  | x6 |
|---|------------|--|-----------|



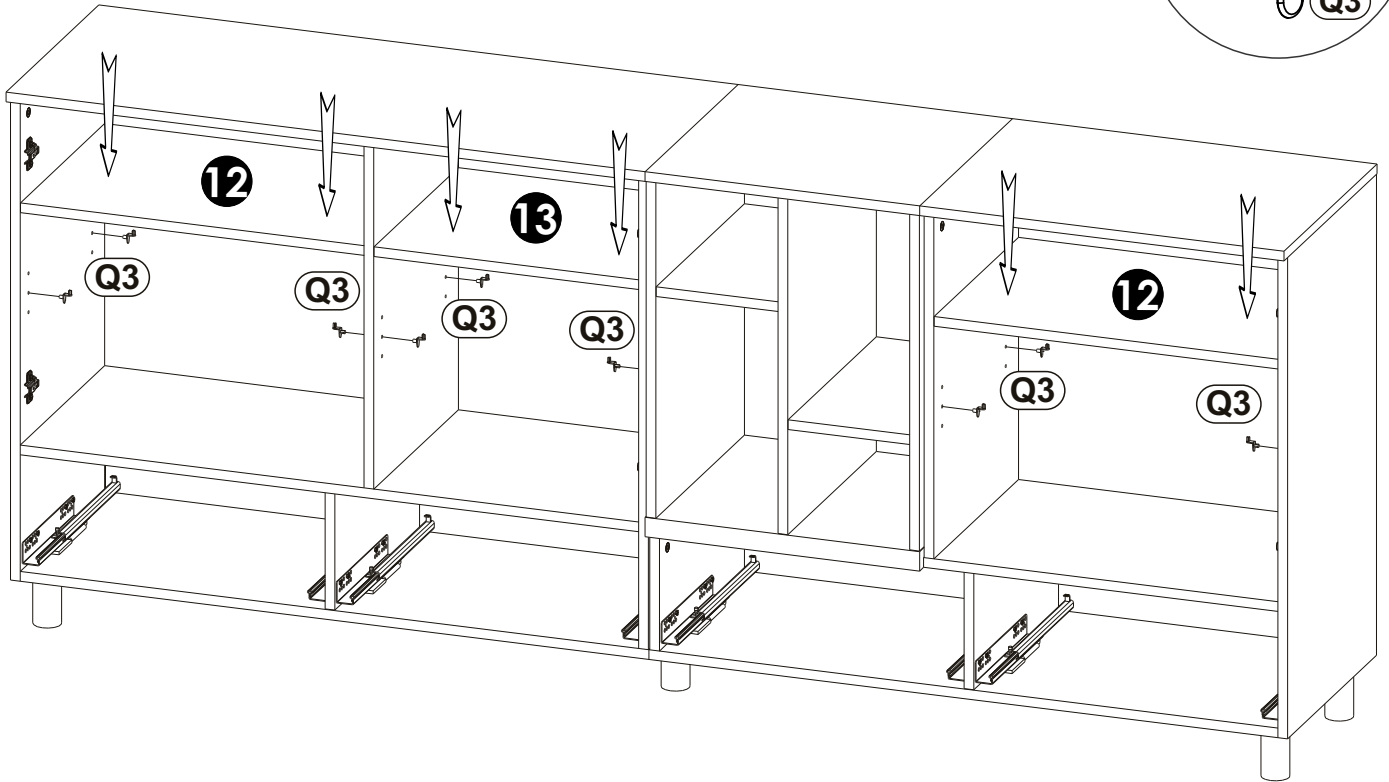
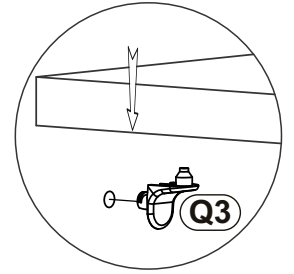
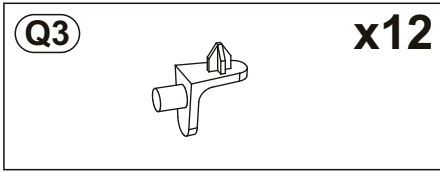
52

E0 **x2**

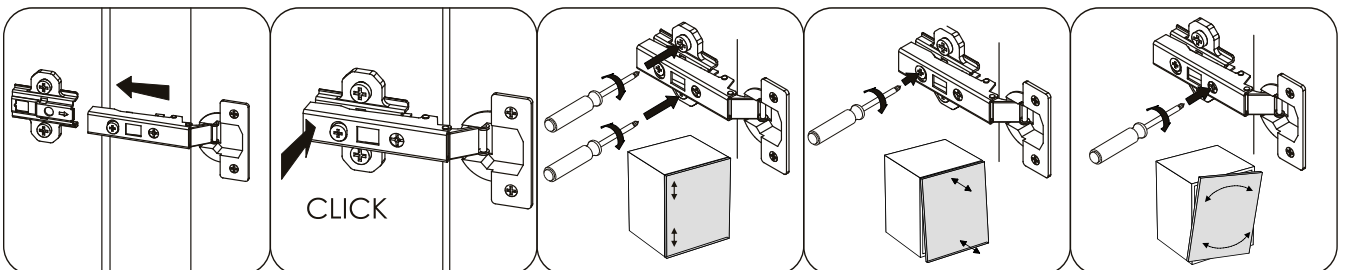
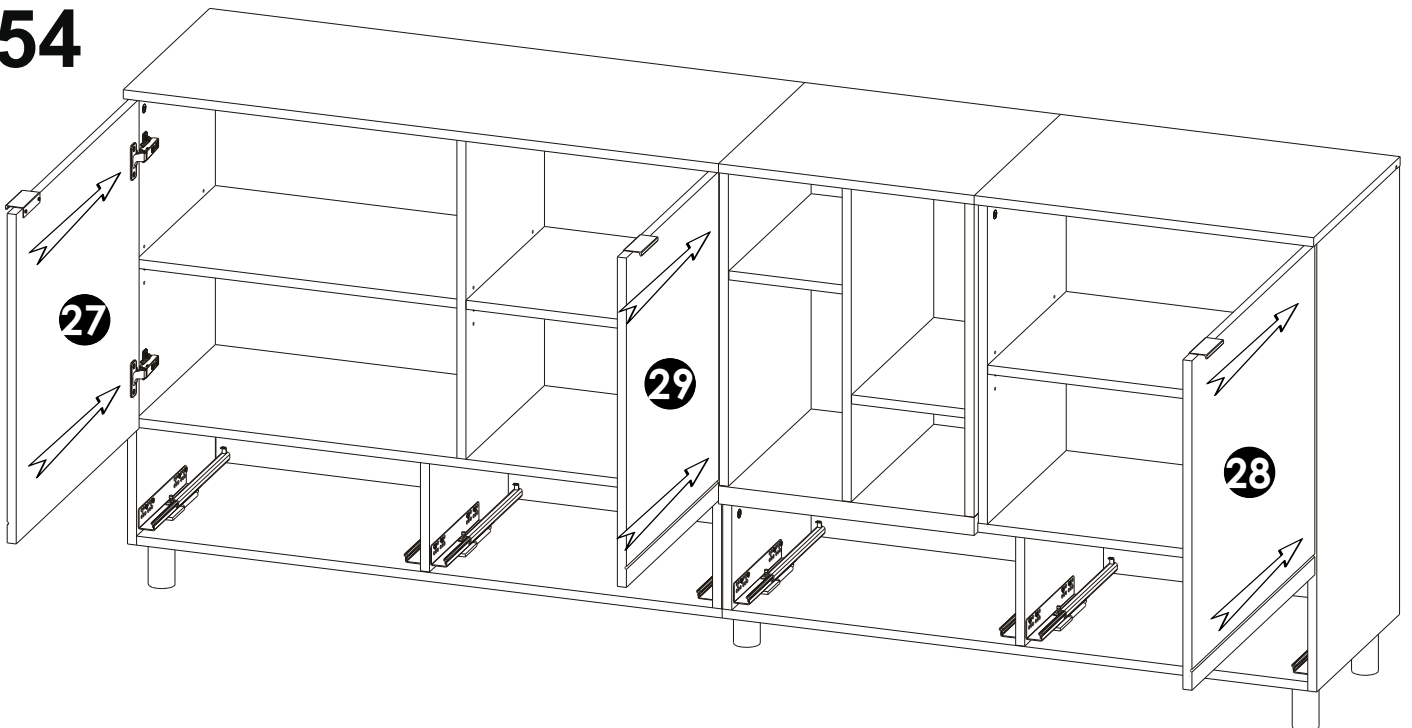
5 x 50 mm
8 x 50 mm



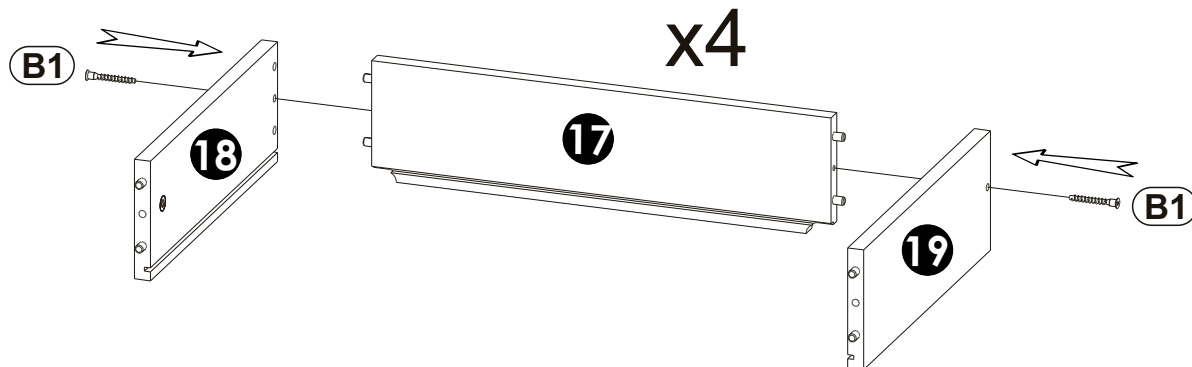
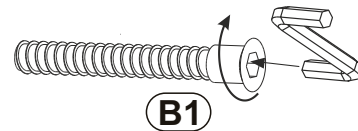
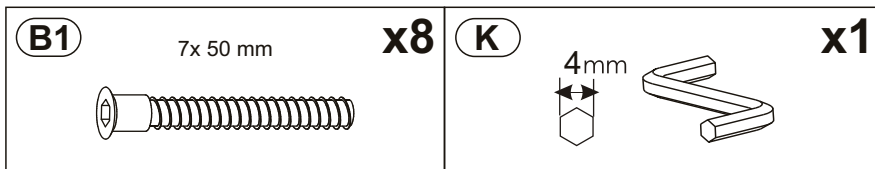
53



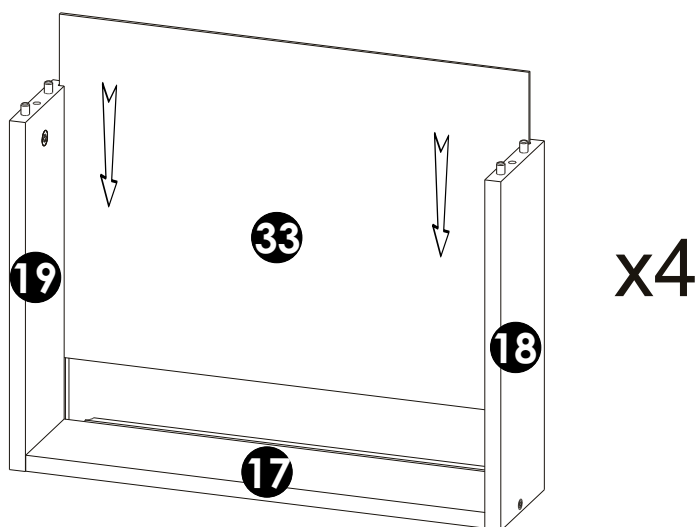
54



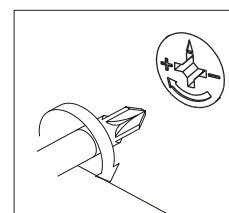
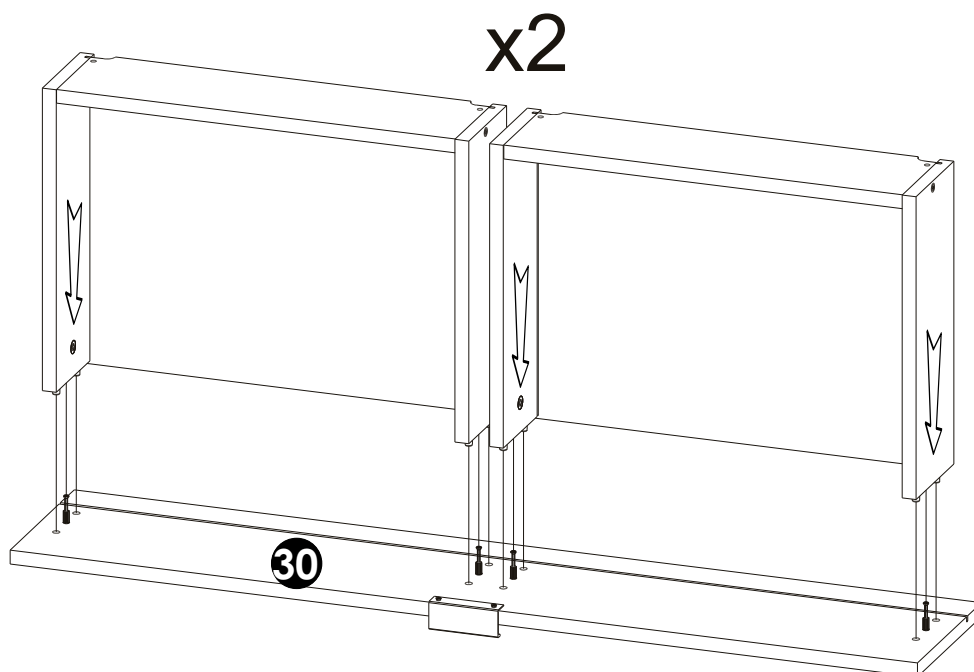
55





56

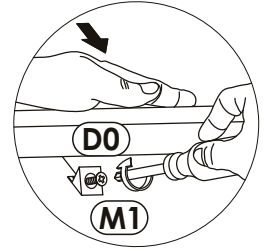
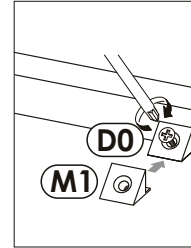
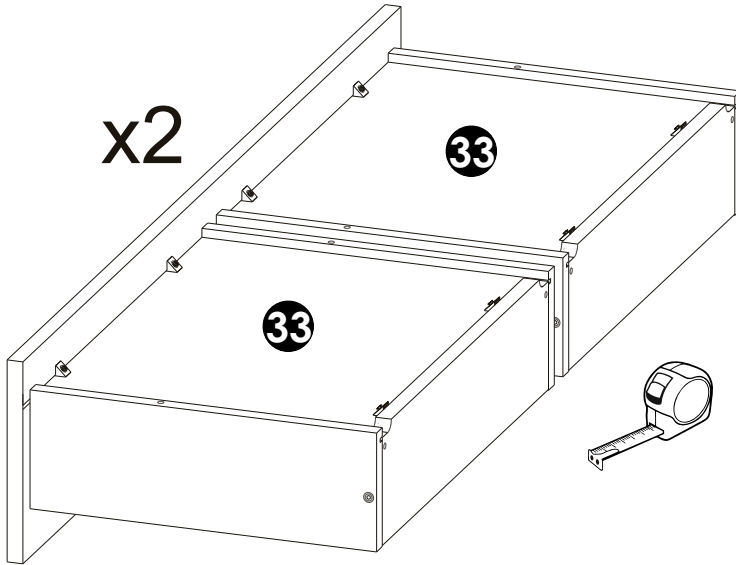
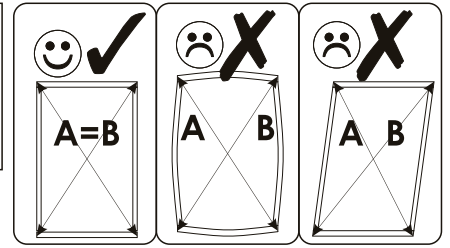


57

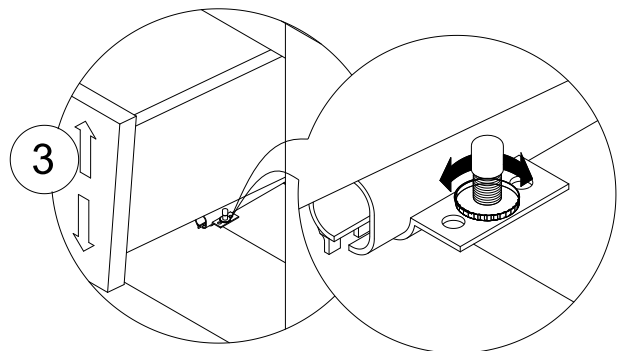
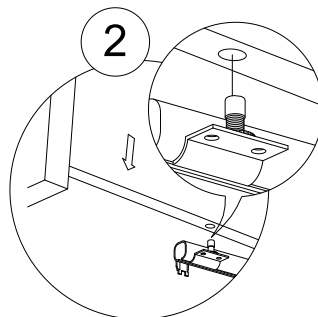
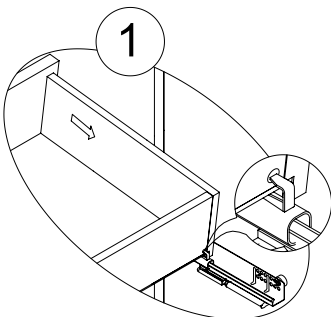
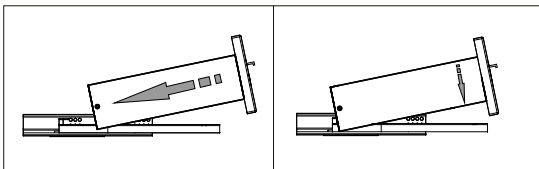
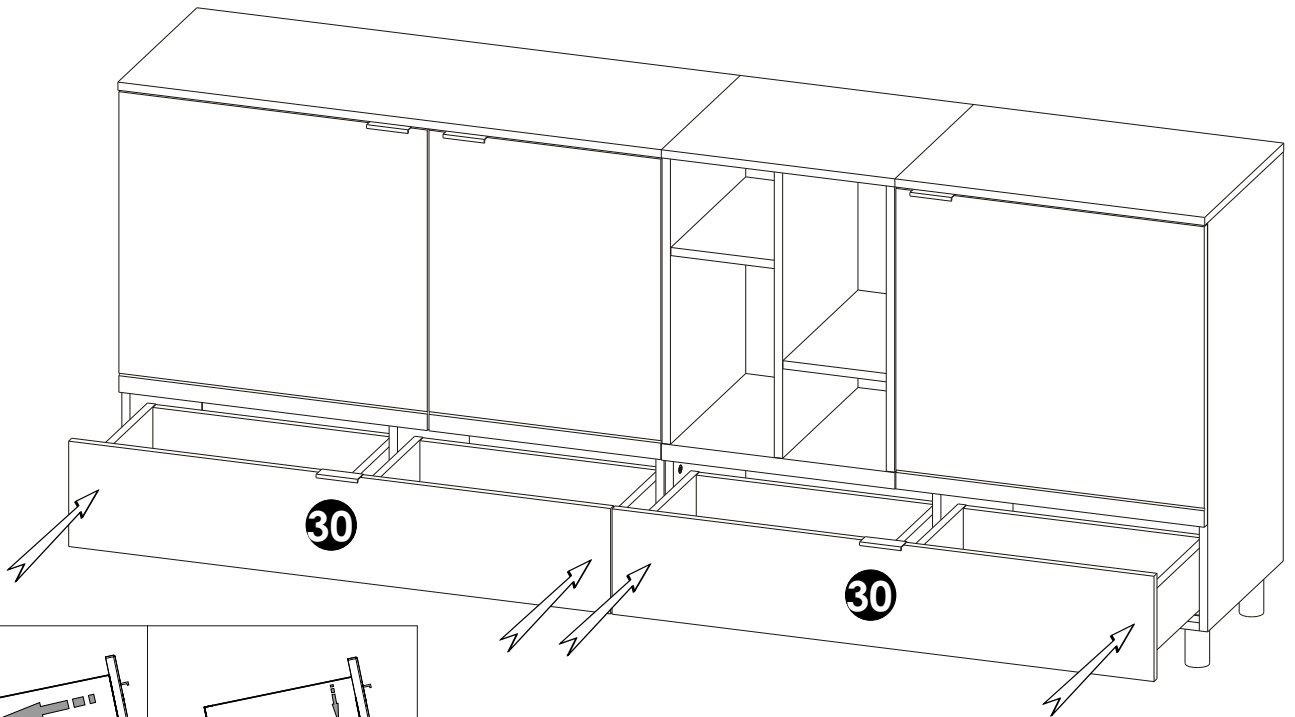


58


| | | | | |
|---|-----------|------------|---|------------|
| (D0) | 3 x 15 mm | x16 | (M1) | x16 |
|  | | |  | |



59



60

| | |
|--|--------------------------|
| <p>C0</p>  <p>x18</p> | <p>LOGO...</p> <p>x1</p> |
|--|--------------------------|

