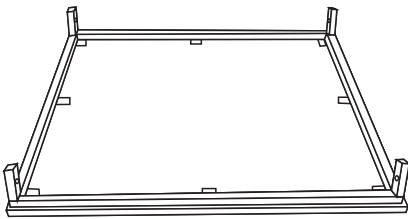
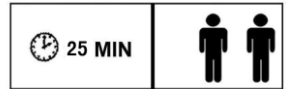
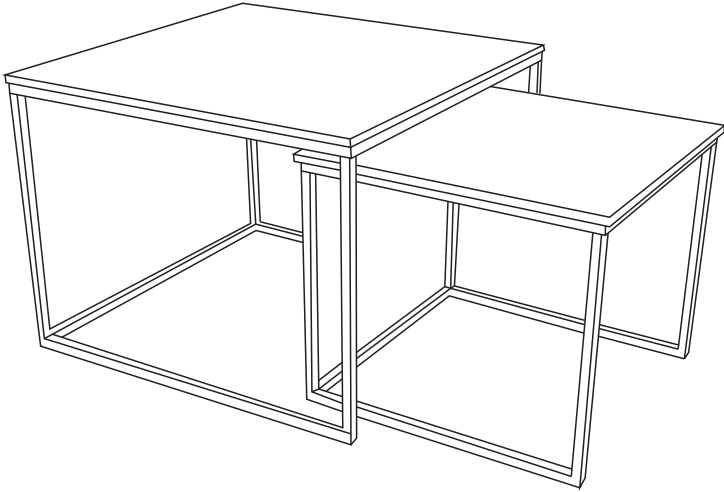
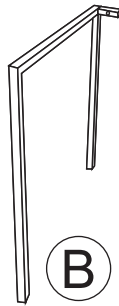


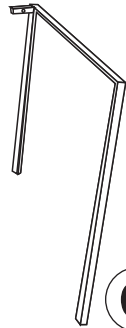
73142



A x 1



B x 1



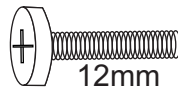
C x 1



D x 1



E x 6





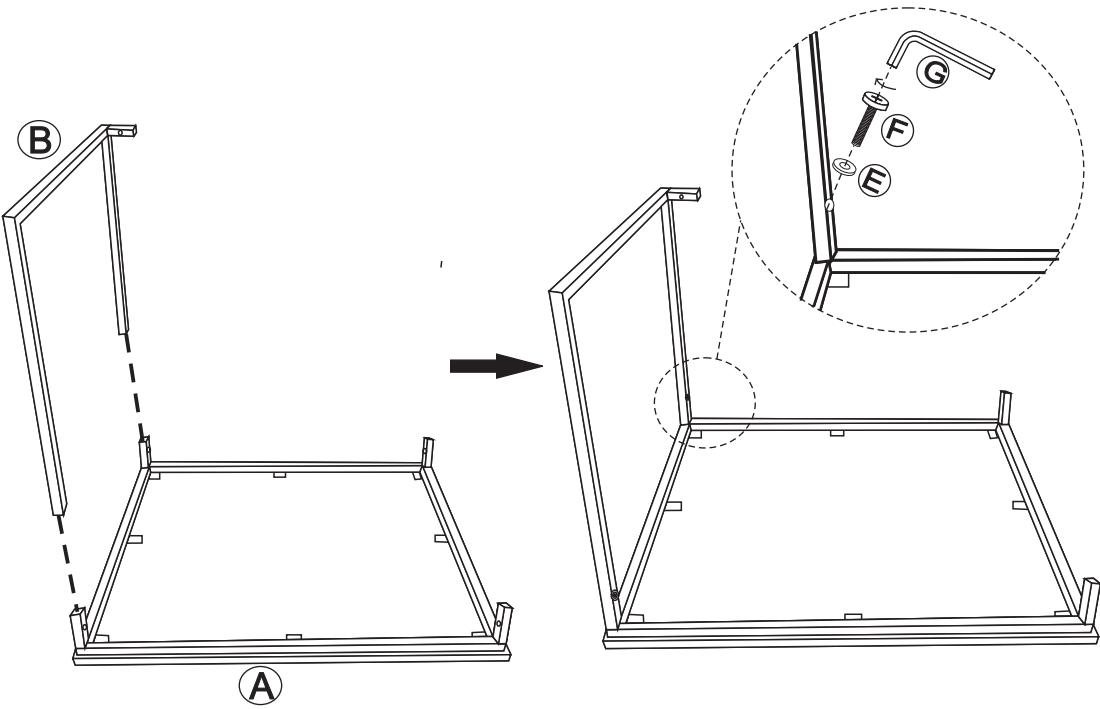
F x 6



G x 1

Step 1

 25 MIN	
--	---



Step 2

