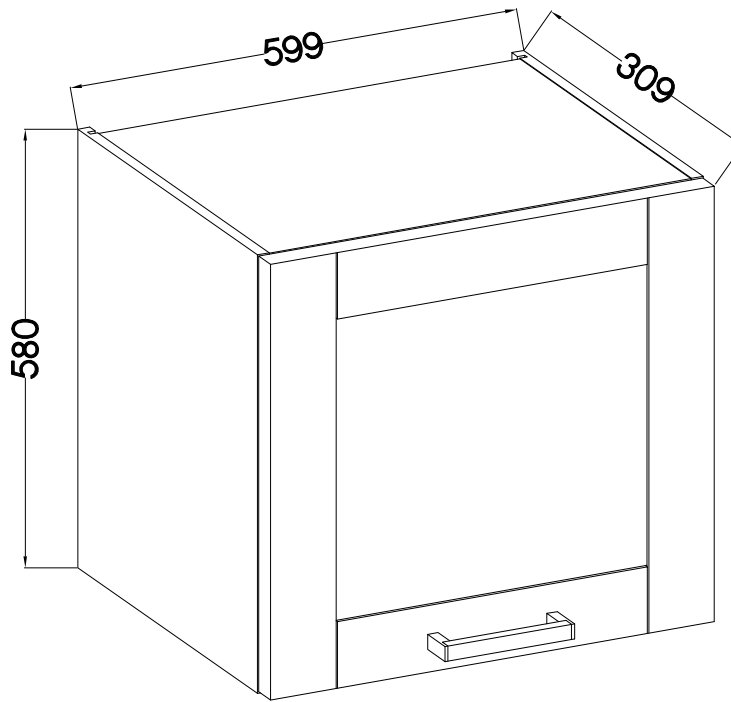
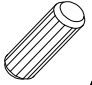


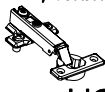

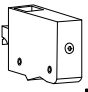
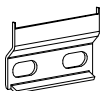
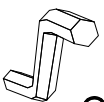





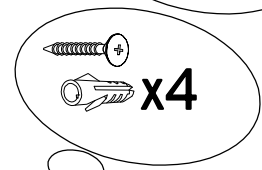
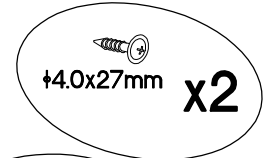


H 60

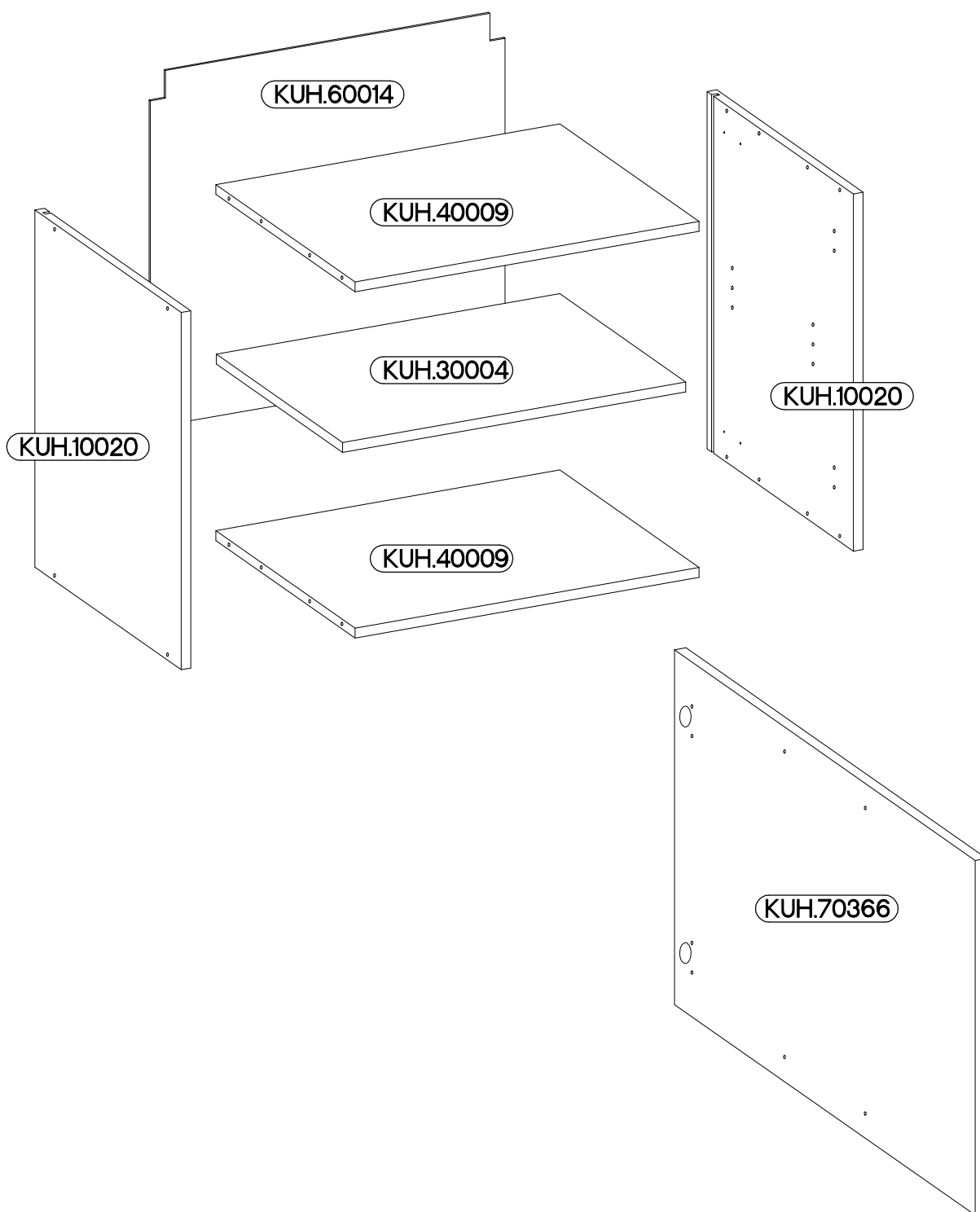
00020010-22



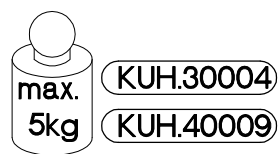
 A	 B	 E1	 HG	 J	 K	
8	8	8	2	4	2	
 K16	 O	 P5	 P7	 P8	 S	 U8
2	1	4	10	4	1	2

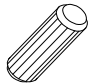
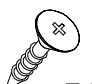



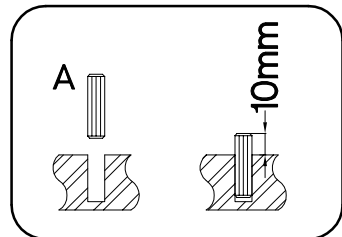
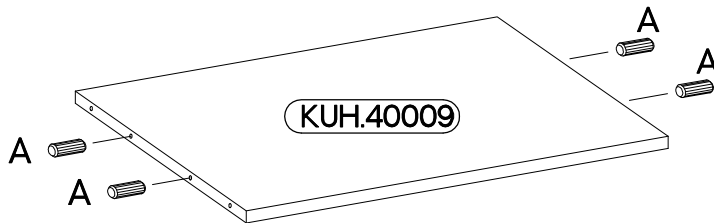
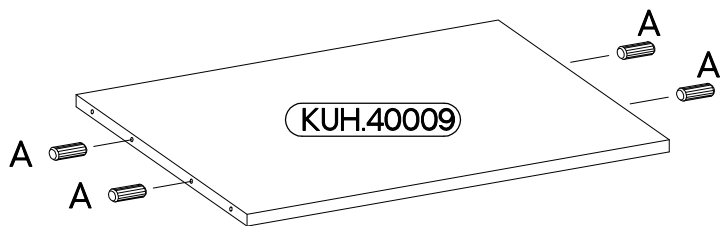
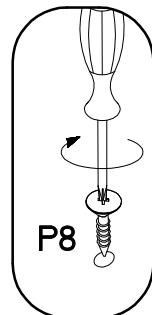
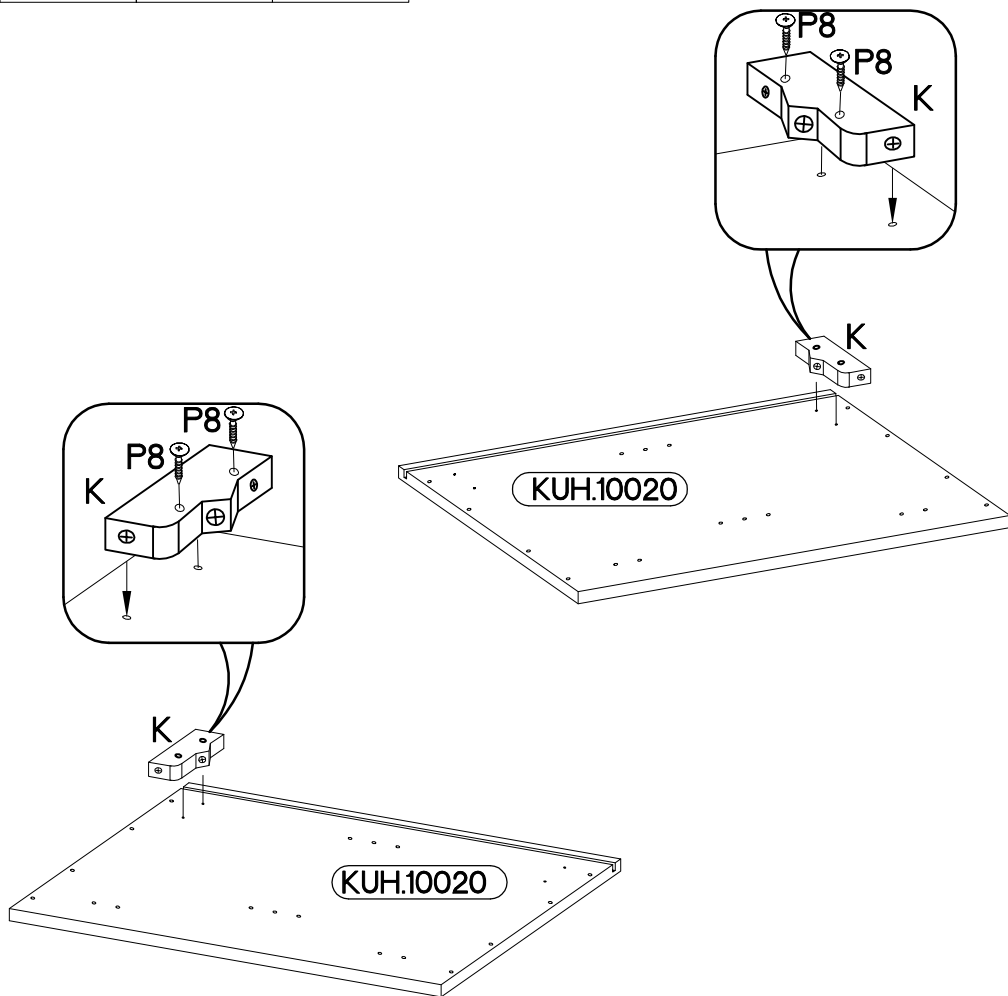
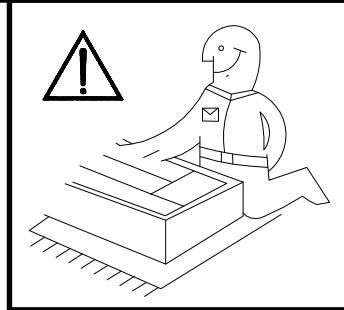
ISM-KUH-01228



KUH.10020 x2	580x290x16
KUH.30004	566x250x16
KUH.40009 x2	567x276x16
KUH.60014	576x585x2,5
KUH.70366	576x596x19

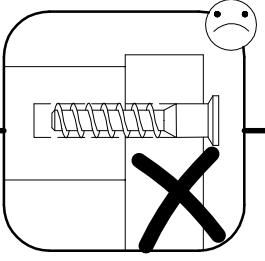
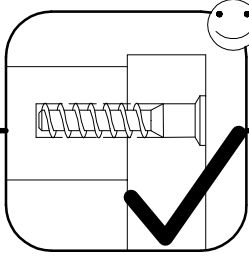
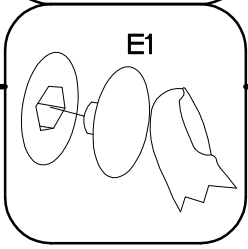
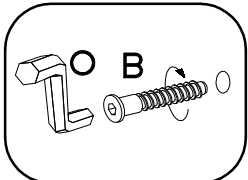
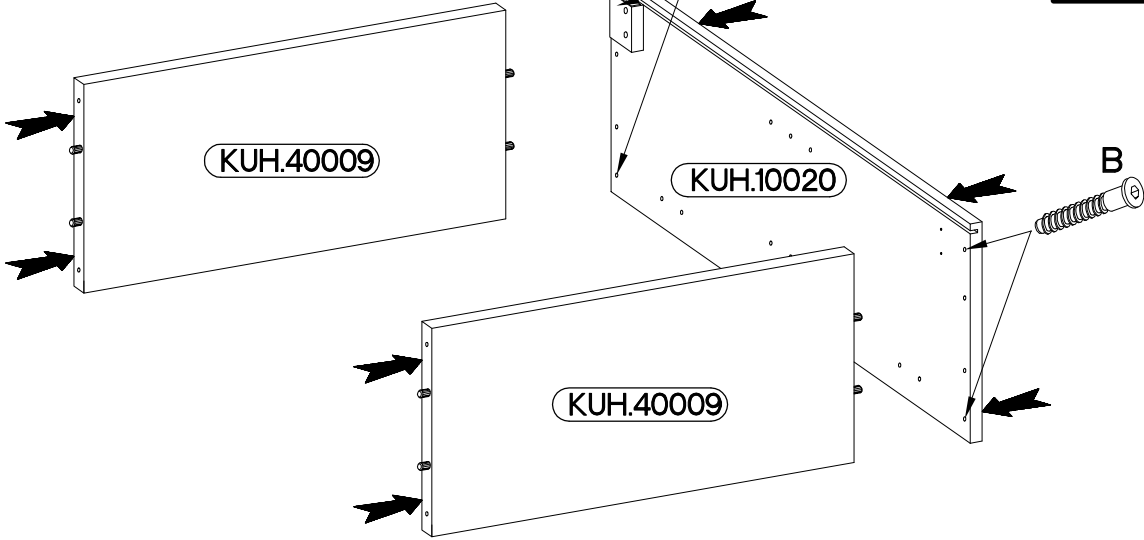
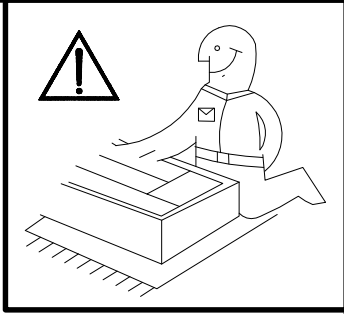
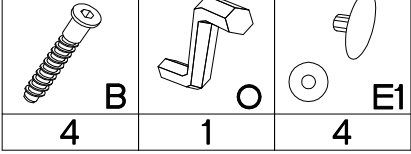


 +8x30mm A	 +4.0x30mm P8	 K
8	4	2

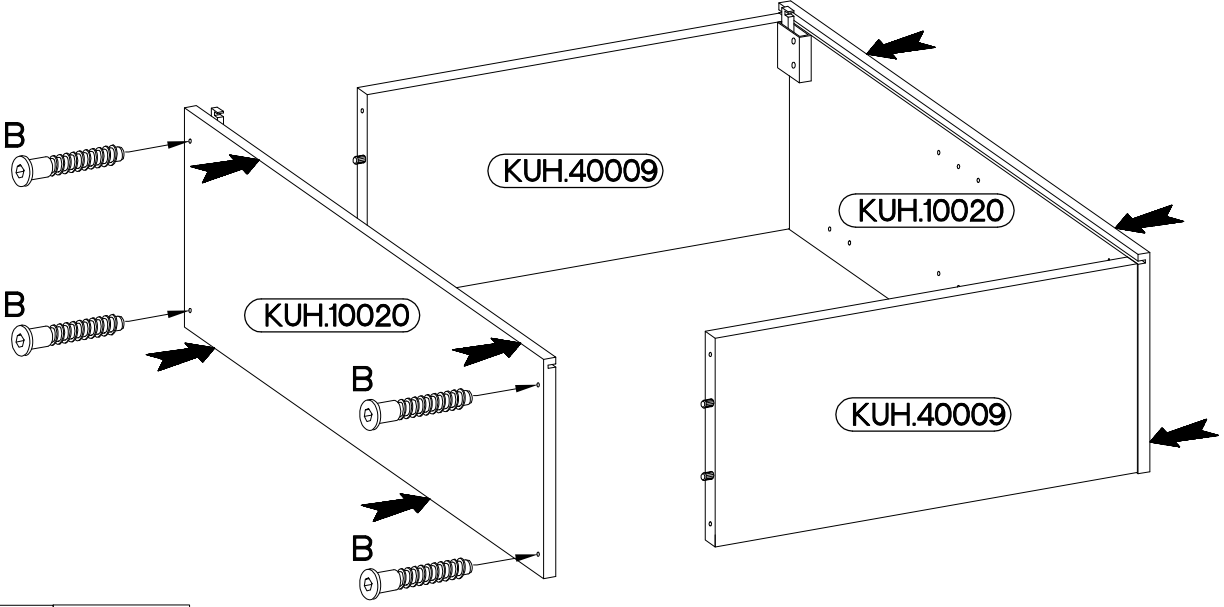


2

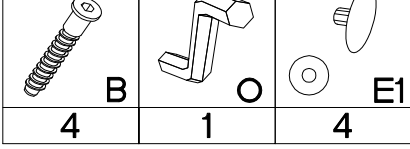
6,4 x 50mm



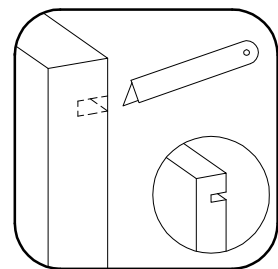
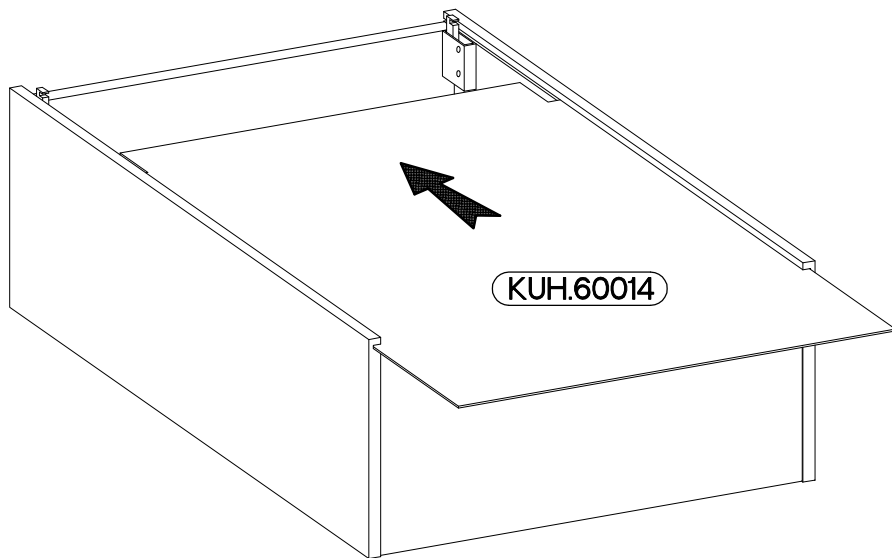
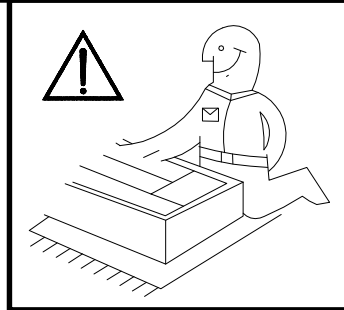
3



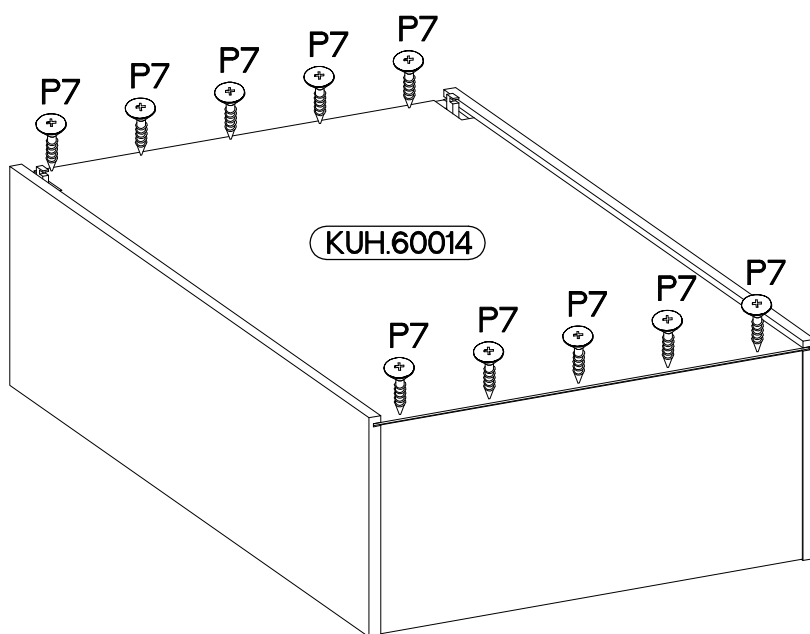
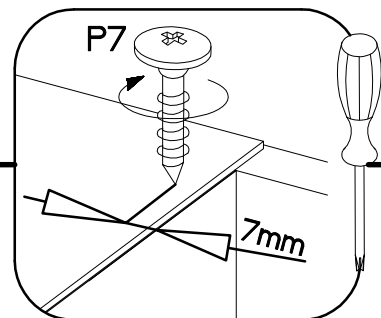
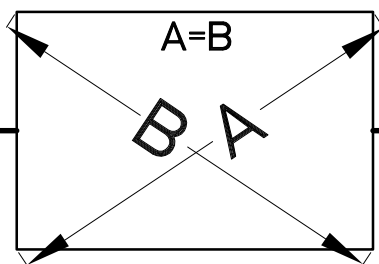
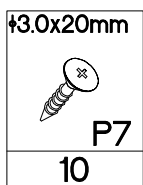
6,4 x 50mm

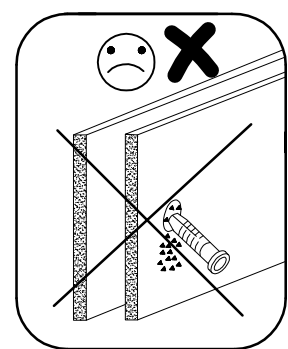
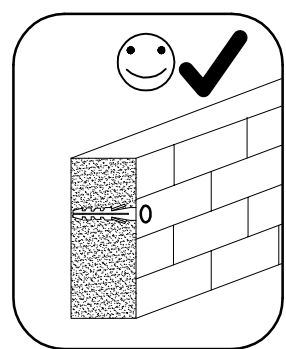
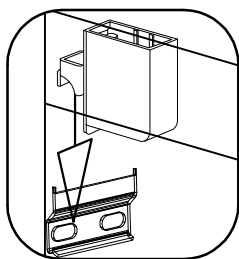
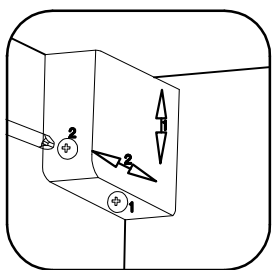
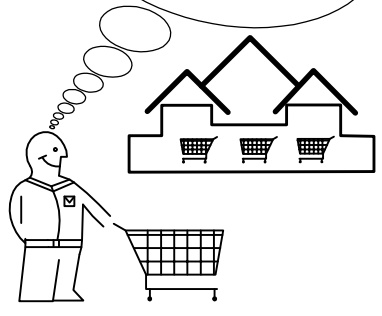
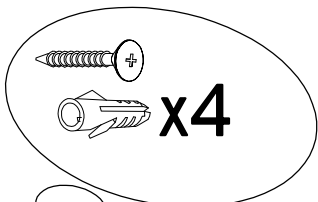
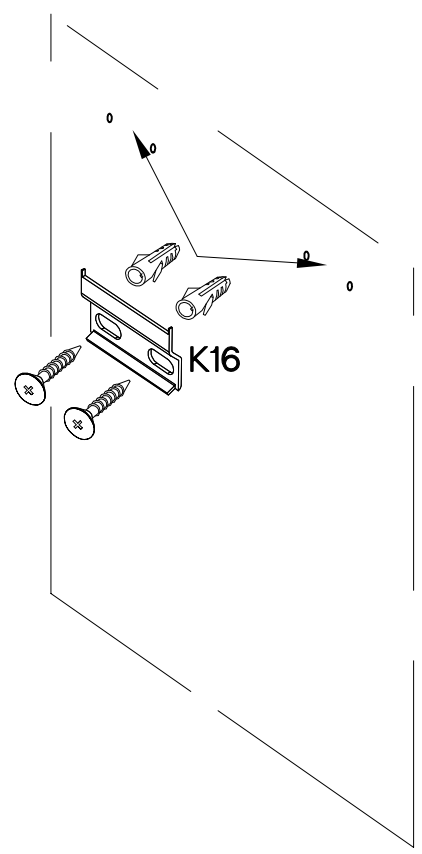
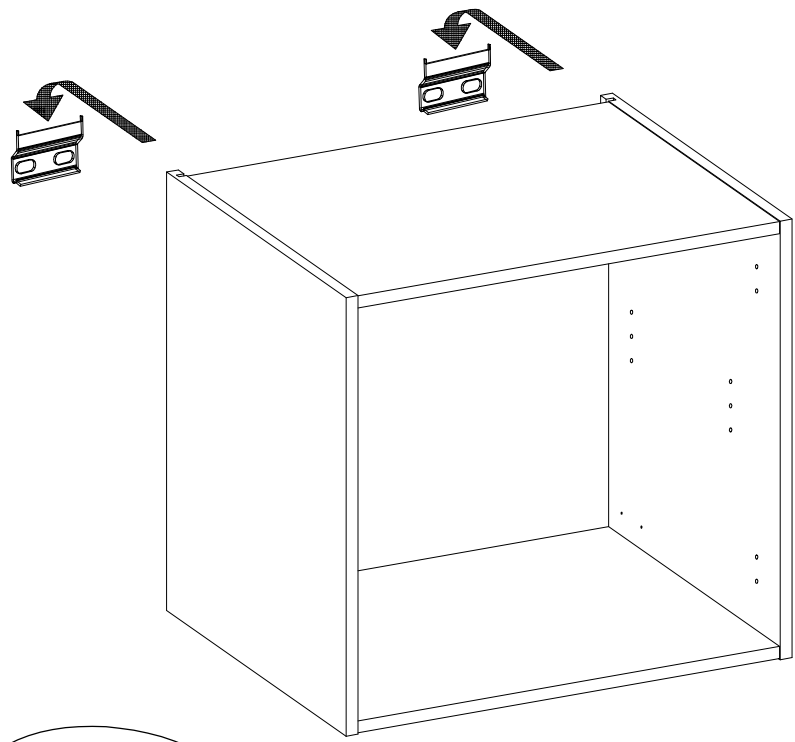
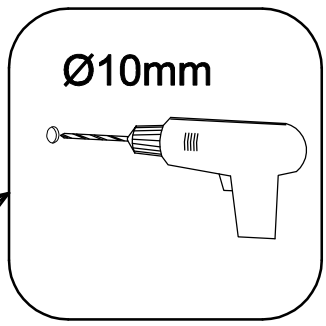
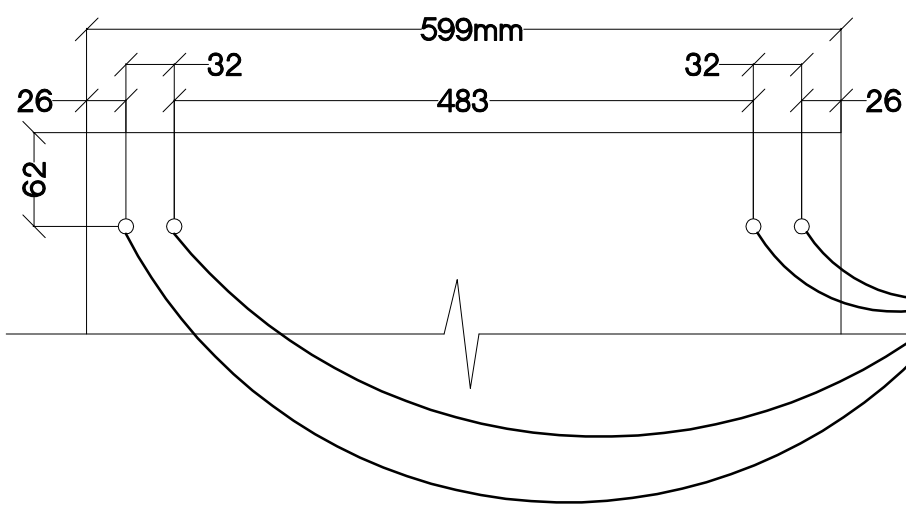
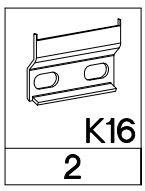
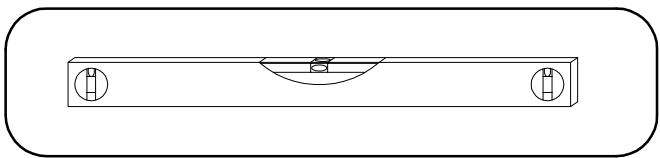


4




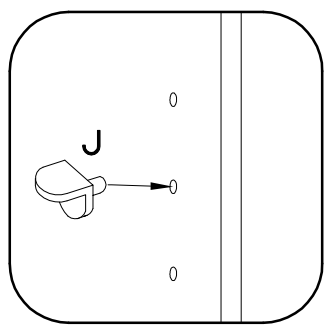
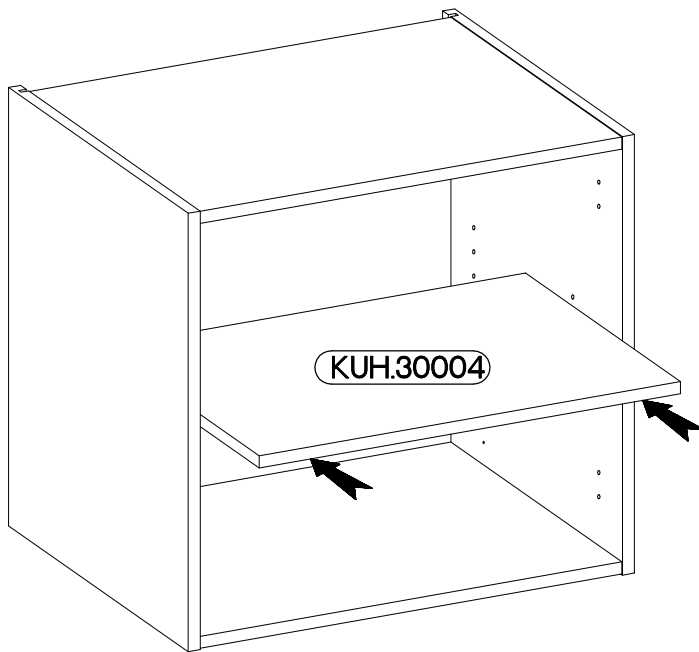
5



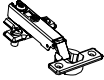



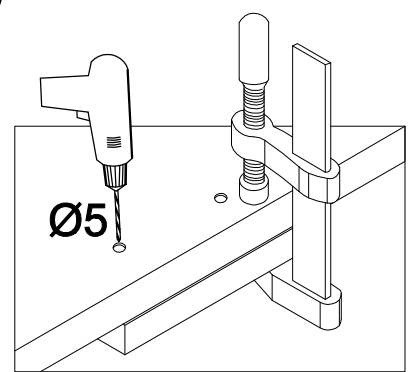
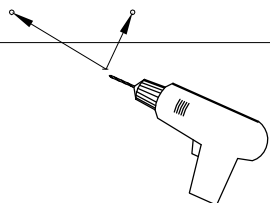
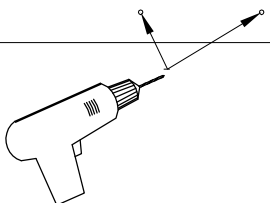
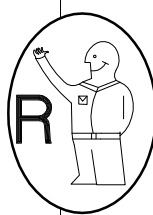
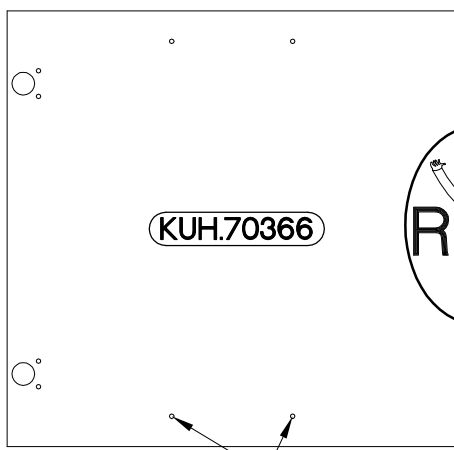
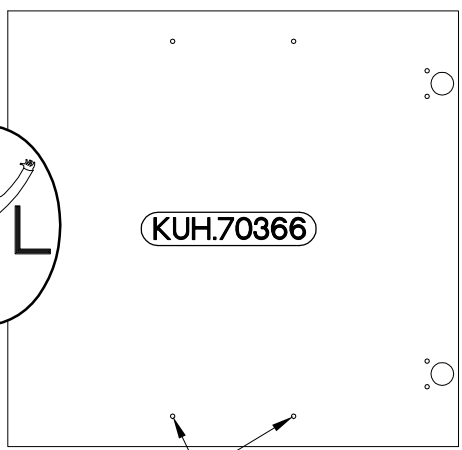
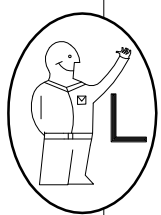
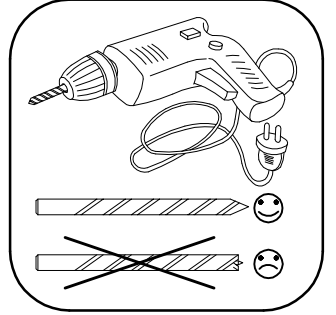
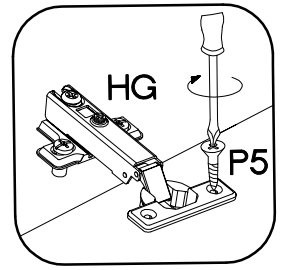
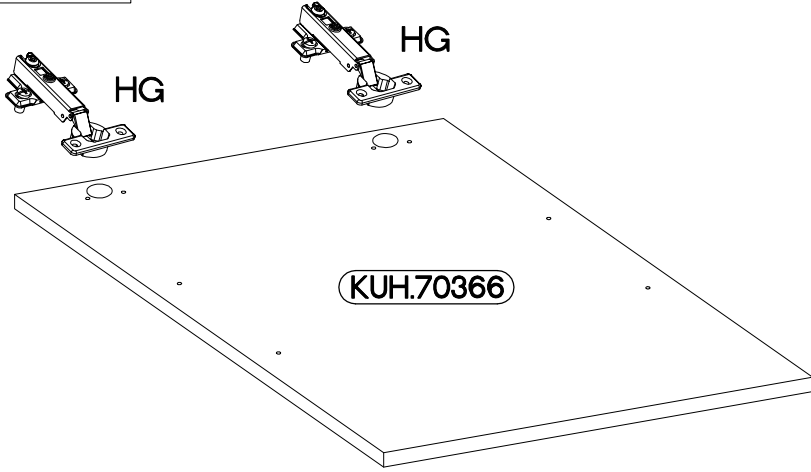
7



+5/19mm

J
4

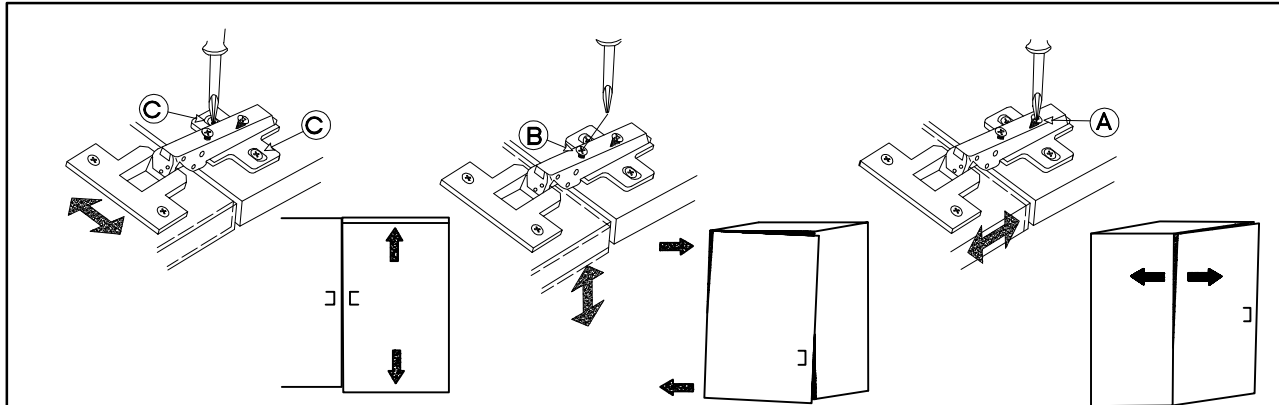
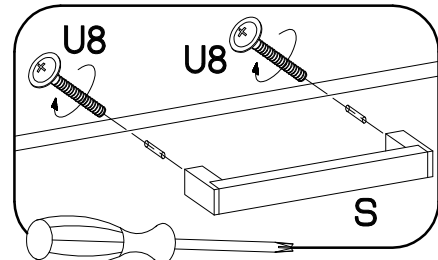
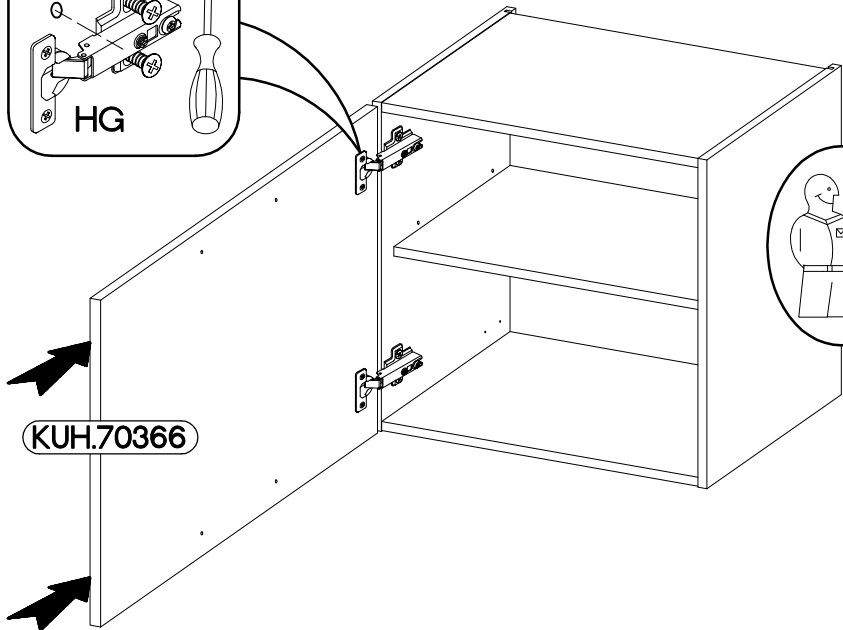
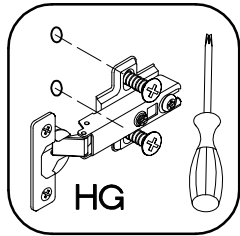
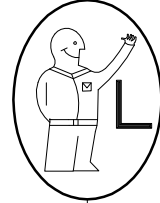
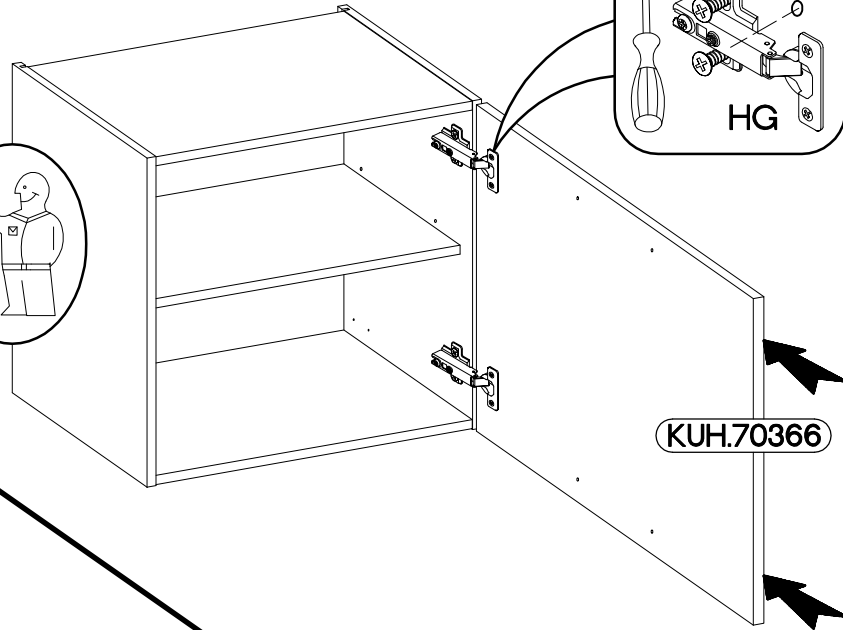
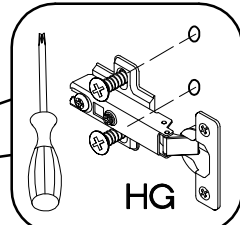
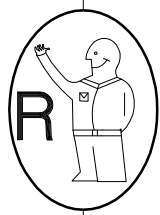


8

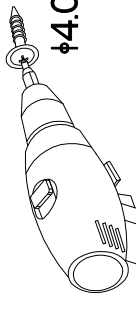
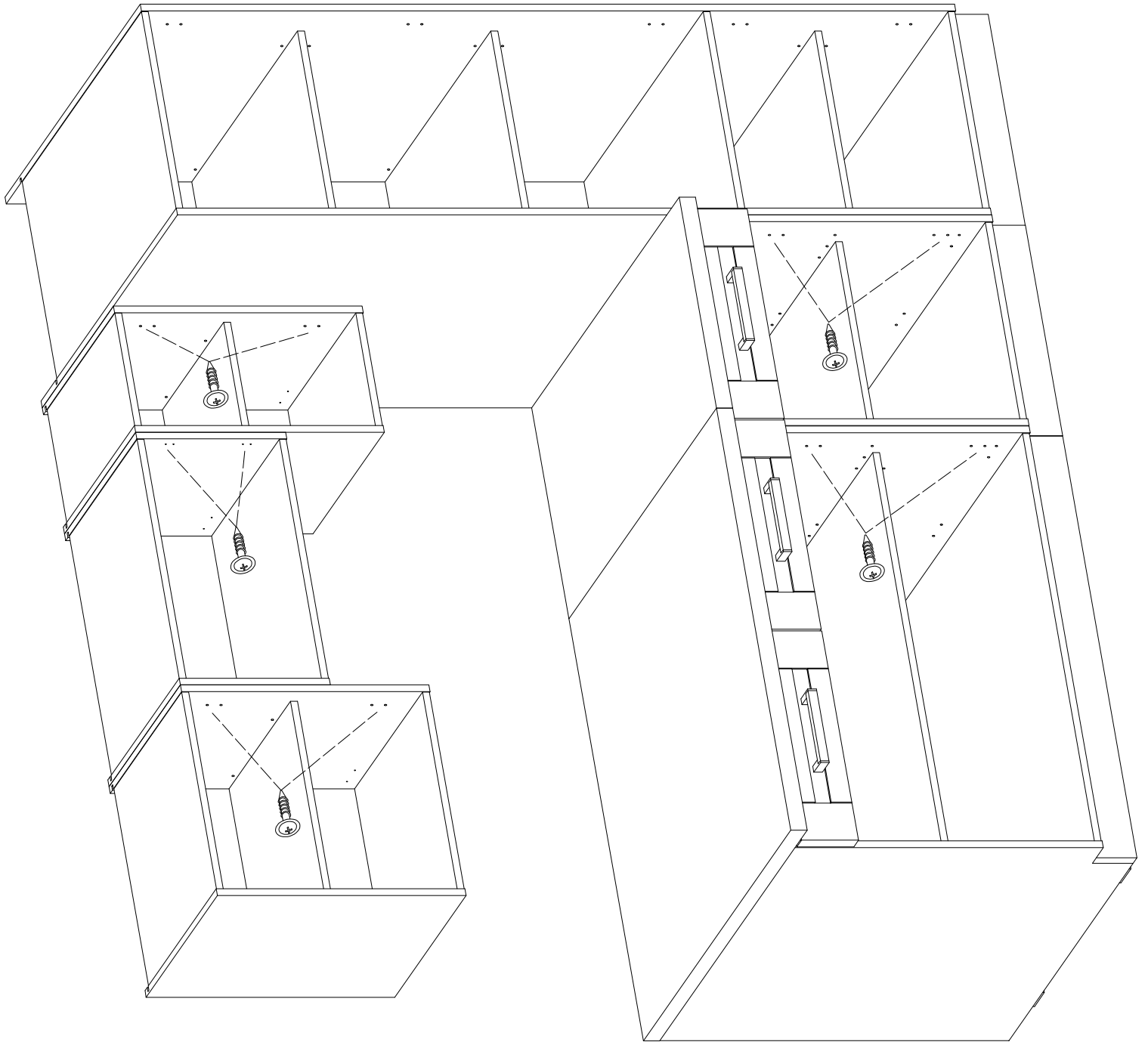
+35/0mm	+3.5x13mm
	
HG	P5
2	4



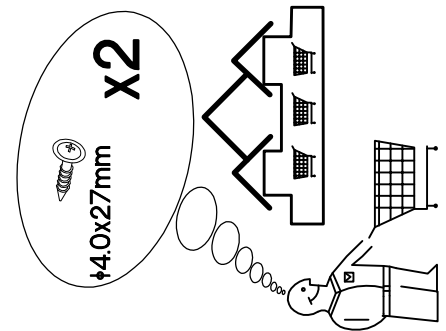
M4x27mm	
	
U8	S
2	1







4.0x27mm



X2

4.0x27mm

