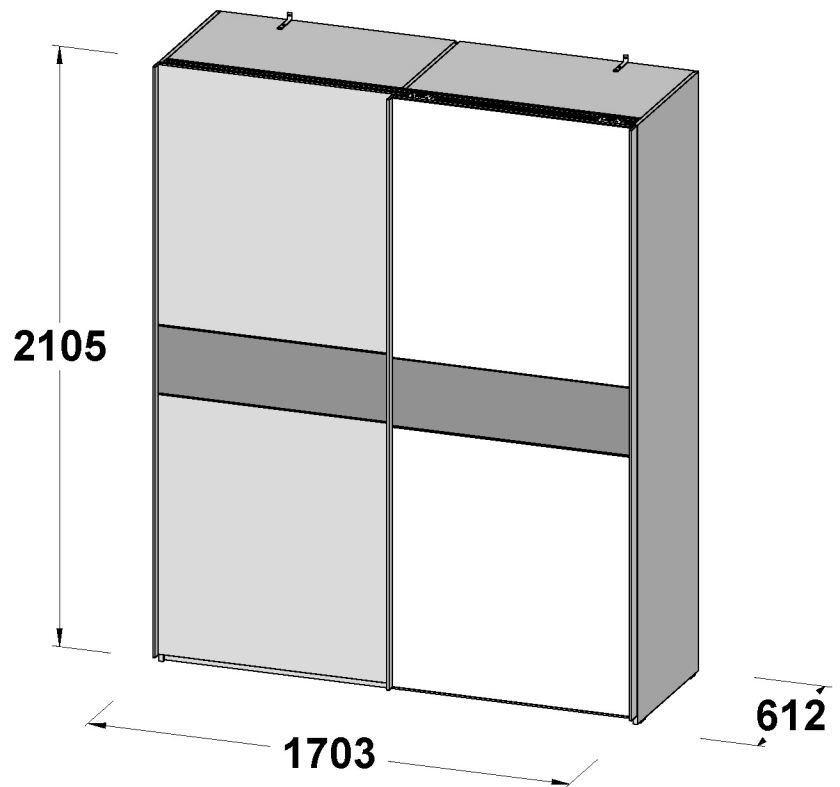
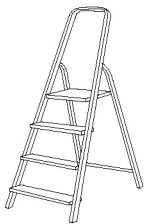
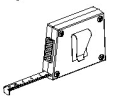
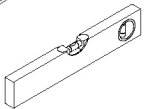
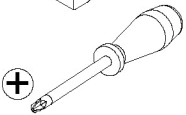
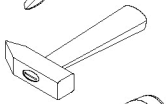
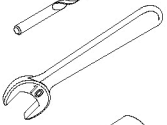
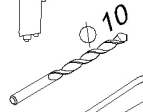
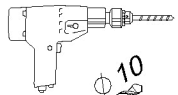
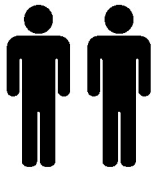
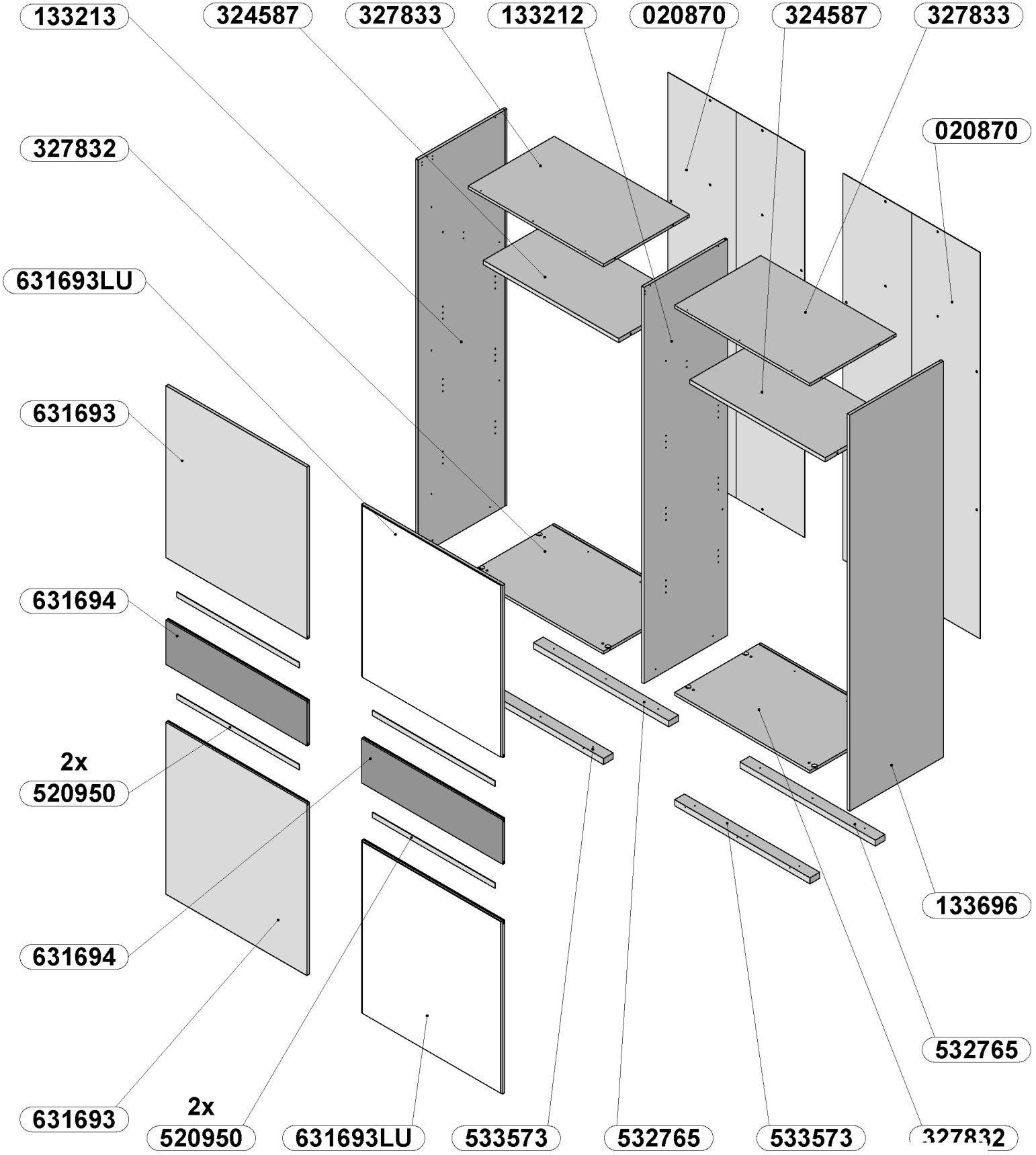

























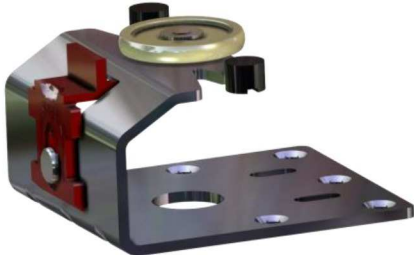


xora

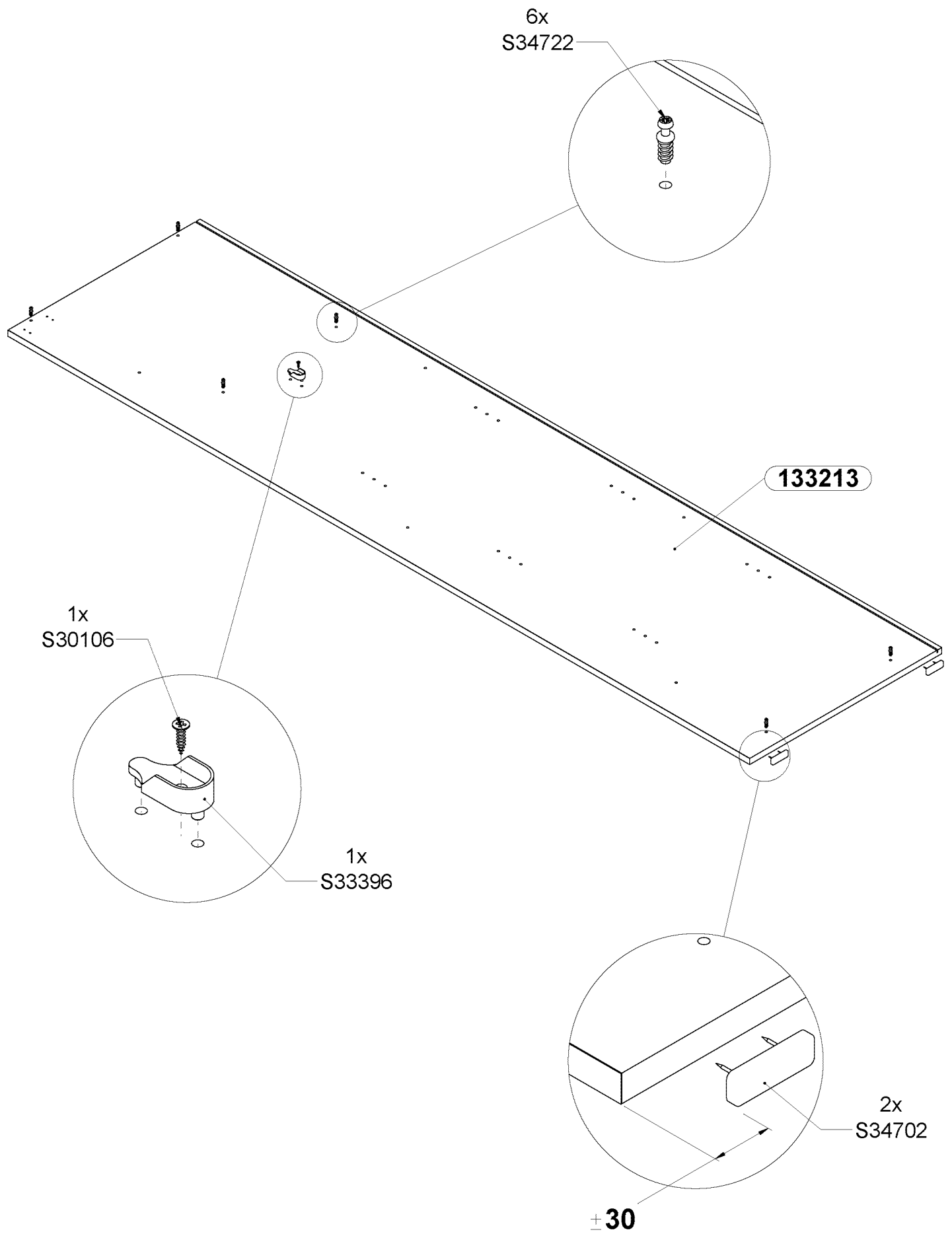




<p>24x S34722</p> 	<p>24x S3eeee-N ■ ⊗ ■ ■</p> 	<p>24x S30106</p> <p>Ø3.5x15</p> 	<p>6x S30129</p> <p>Ø3,5x25</p> 
<p>42x S31298-14</p> <p>Ø4x14</p> 	<p>12x S33127</p> <p>Ø4x45</p> 	<p>20x S30111</p> <p>Ø6,3x13</p> 	<p>6x S34702</p> 
<p>8x S30551</p> 	<p>2x S32892</p> 	<p>2x S30577</p> 	<p>4x S33396</p> 
<p>6x S38420</p> 			
<p>20x S31347-N</p> 	<p>2x S36628</p> <p>Ø10x50, Ø5x60</p> 		
<p>2x S34802</p> <p>L=822</p> 	<p>1x S34705</p> <p>L - 1970</p> 		
<p>3x S38424</p> <p>L - 2068</p> 	<p>1x S38425</p> <p>L - 2068</p> 		
<p>1x S36149</p> <p>L - 1673</p> 	<p>1x S36152-O</p> <p>L - 1673</p> 		

<p>4x S30129</p> <p>Ø3,5x25</p> 	<p>16x S34701</p> <p>Ø4x14</p> 	<p>12x S30102</p> <p>Ø6,3x13</p> 	<p>2x S36165</p> 
<p>2x S36331</p> 	<p>2x S36333</p> 		
<p>1x S36335</p> 	<p>2x S36332</p> 		
<p>1x S36334</p> 	<p>2x S36336</p> 		

1



2

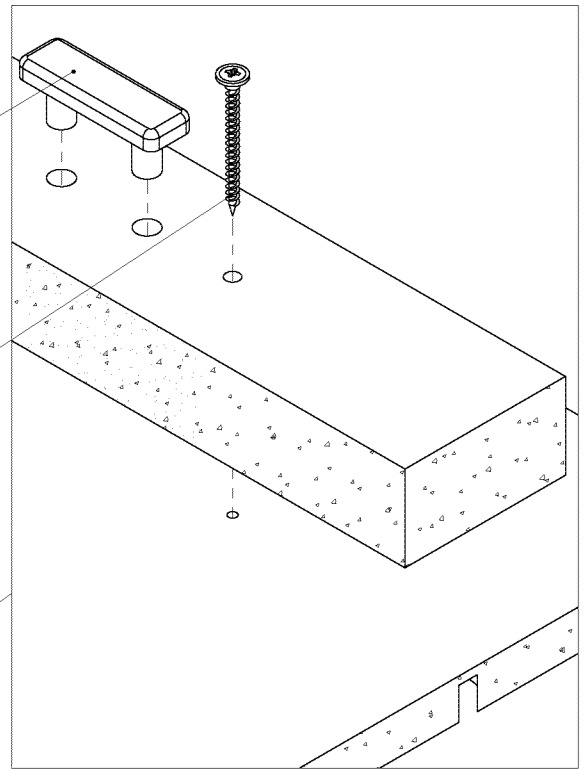
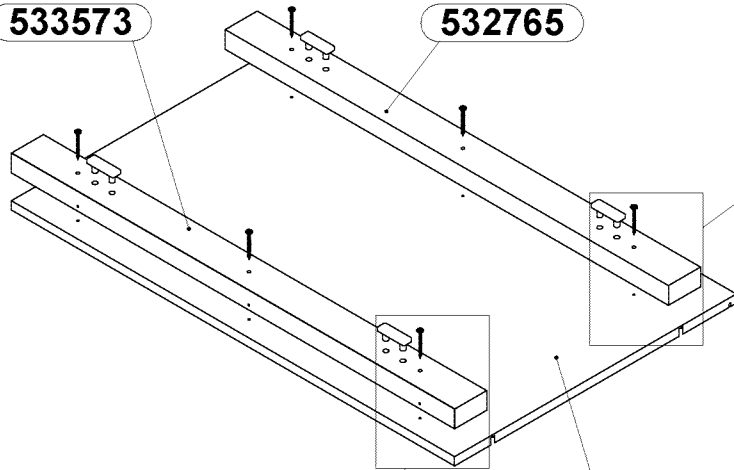
2x

2x
S30551

3x
S33127

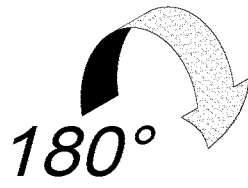
533573

532765

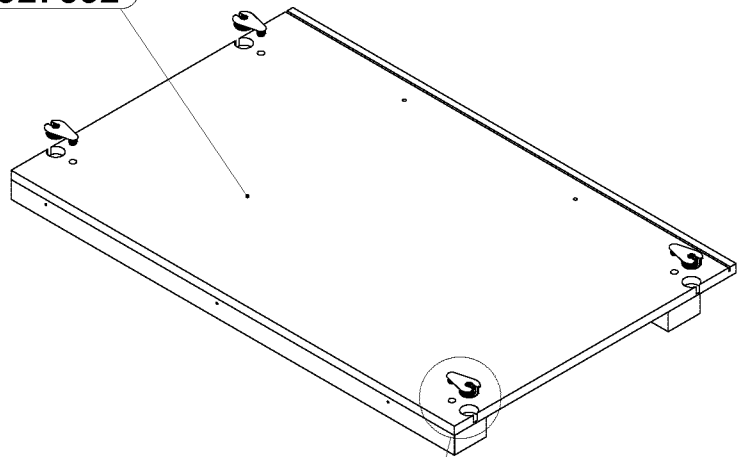
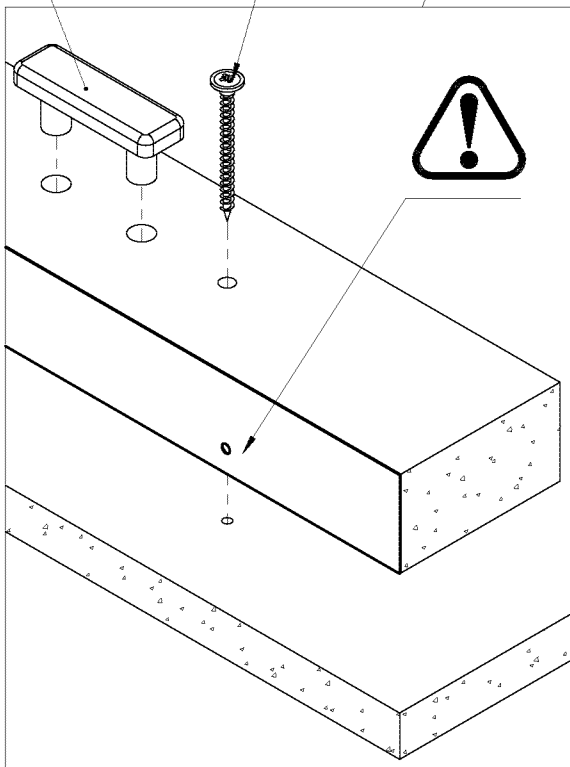


2x
S30551

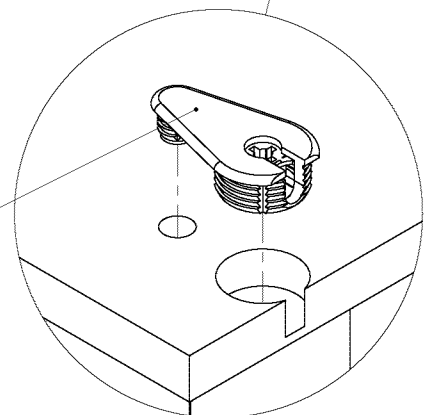
3x
S33127



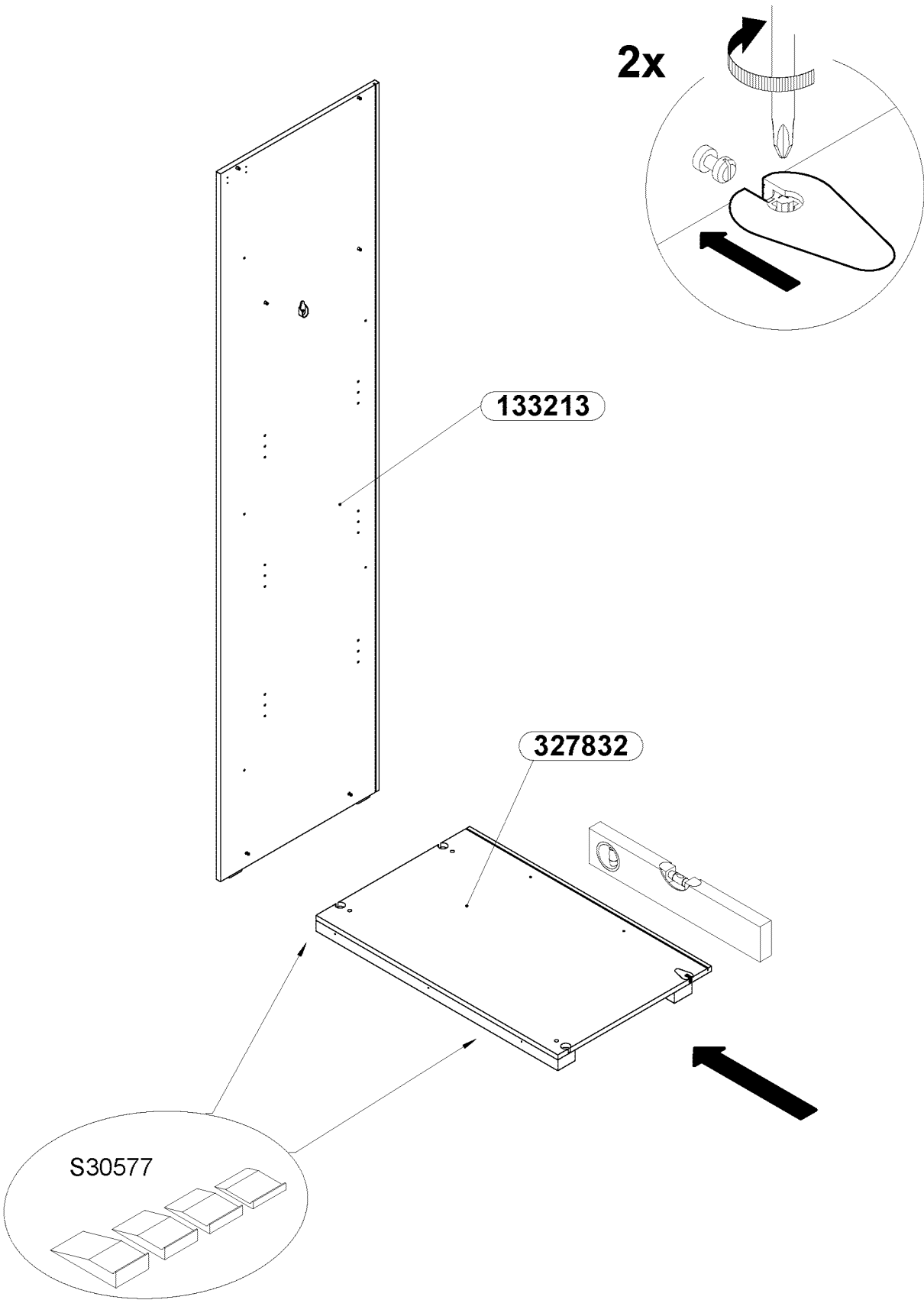
327832



4x
S3eeee-N

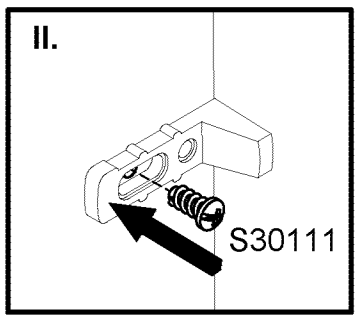
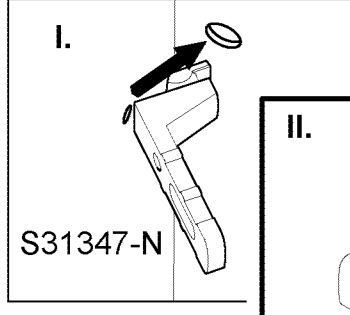


3

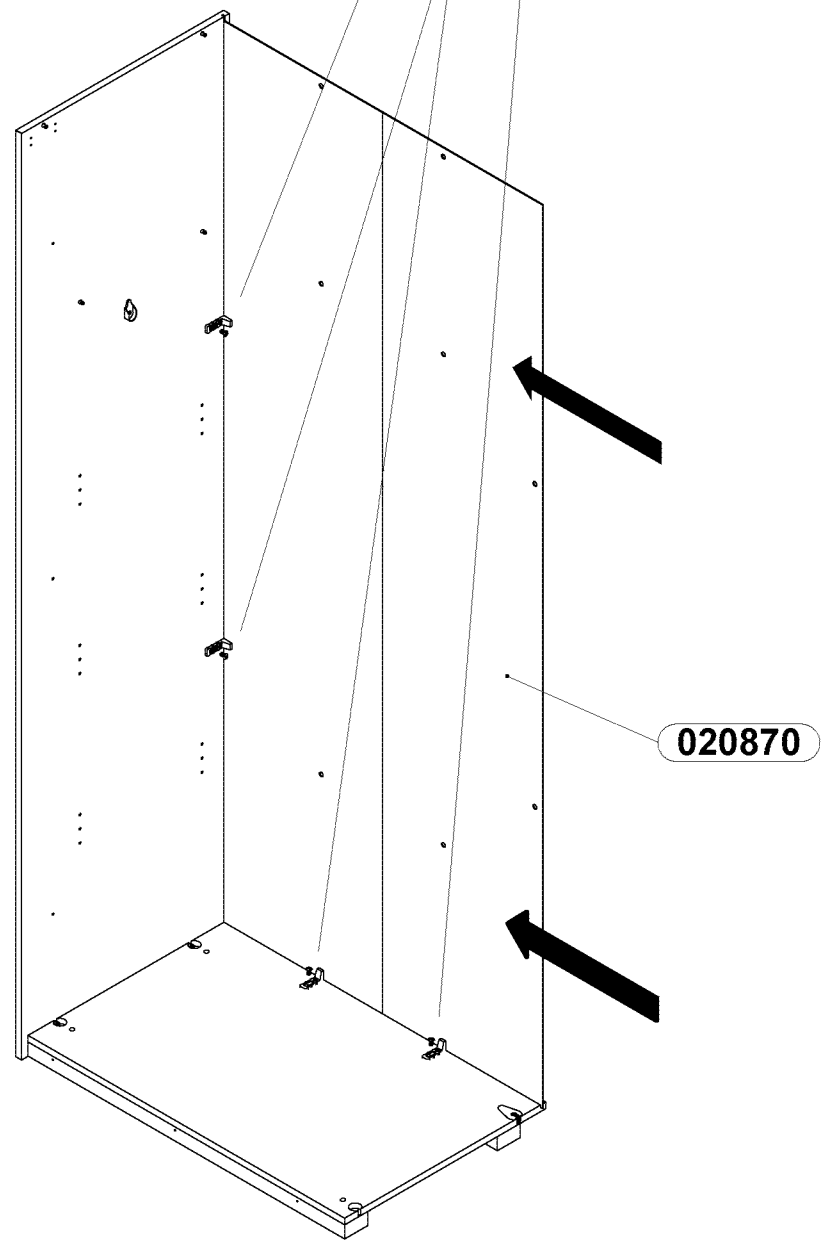


4

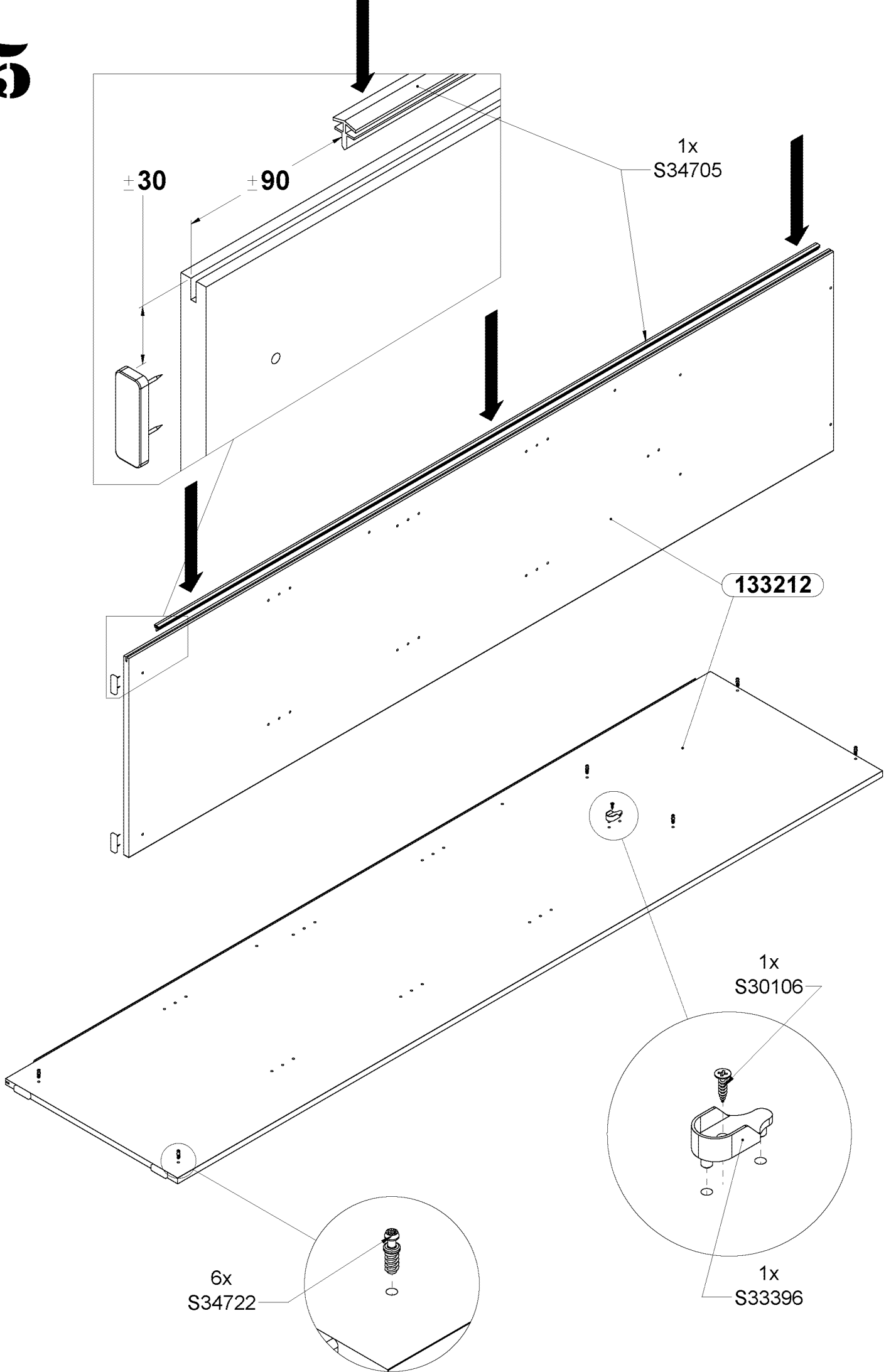
4x



I. III. II.

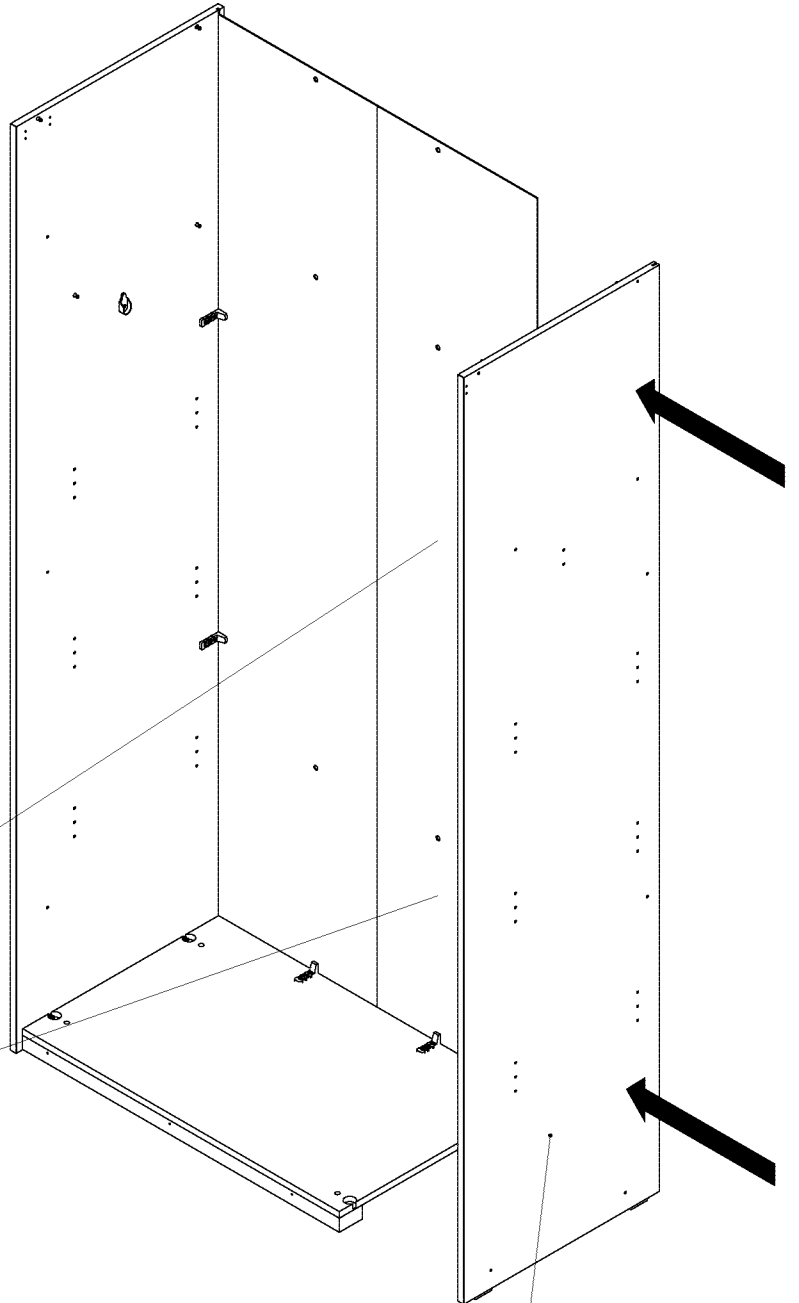
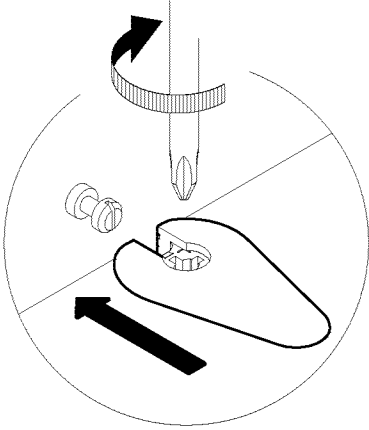


5

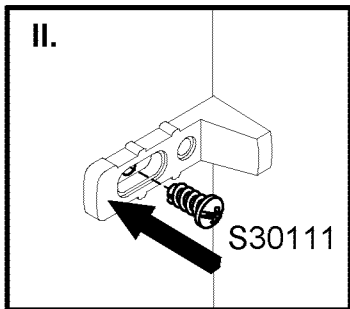
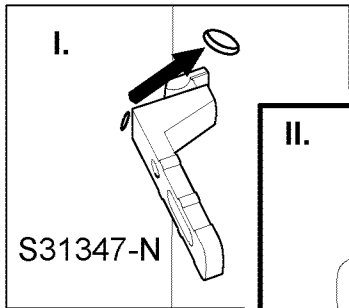


6

2x



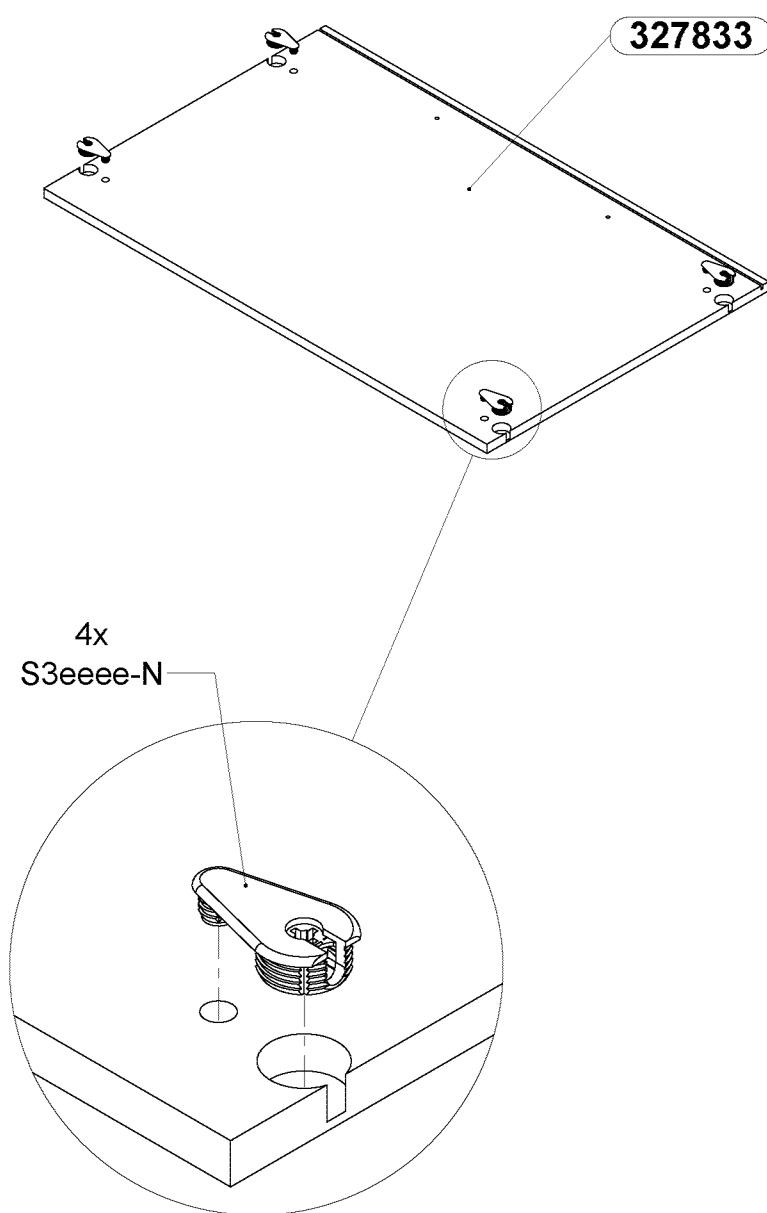
2x



133212

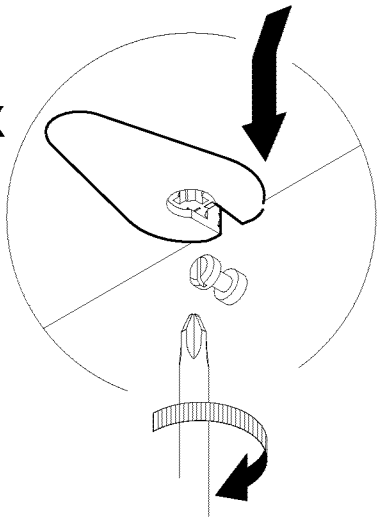
7

2x

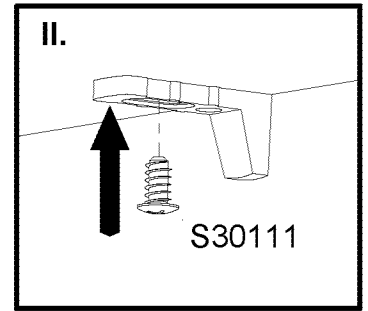
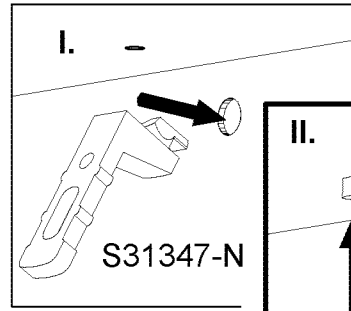


8

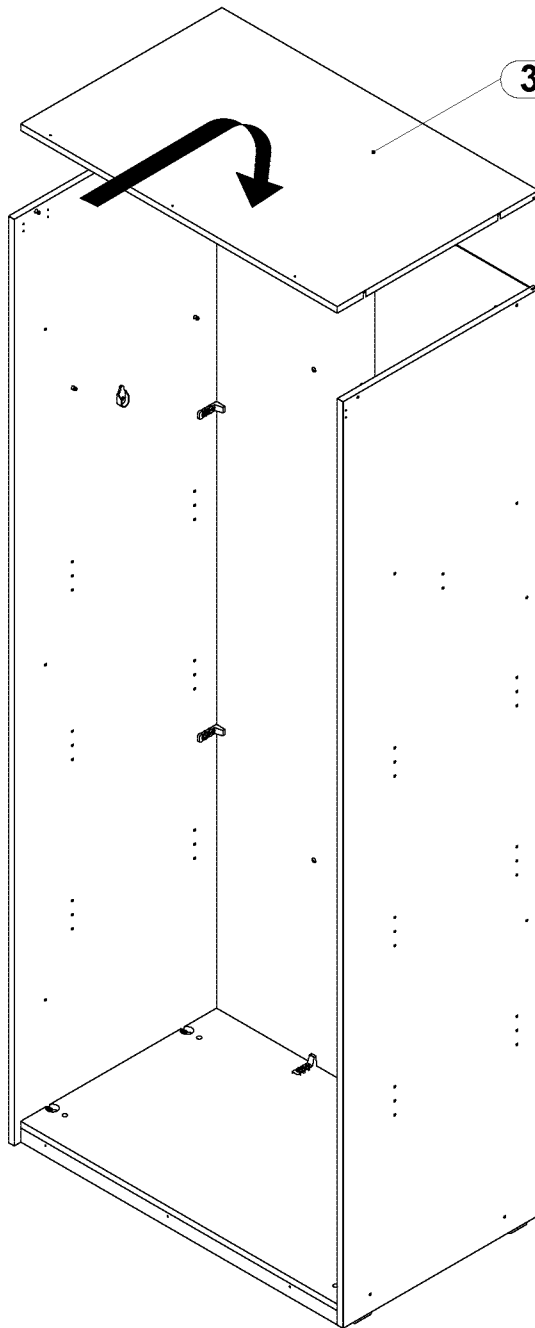
4x



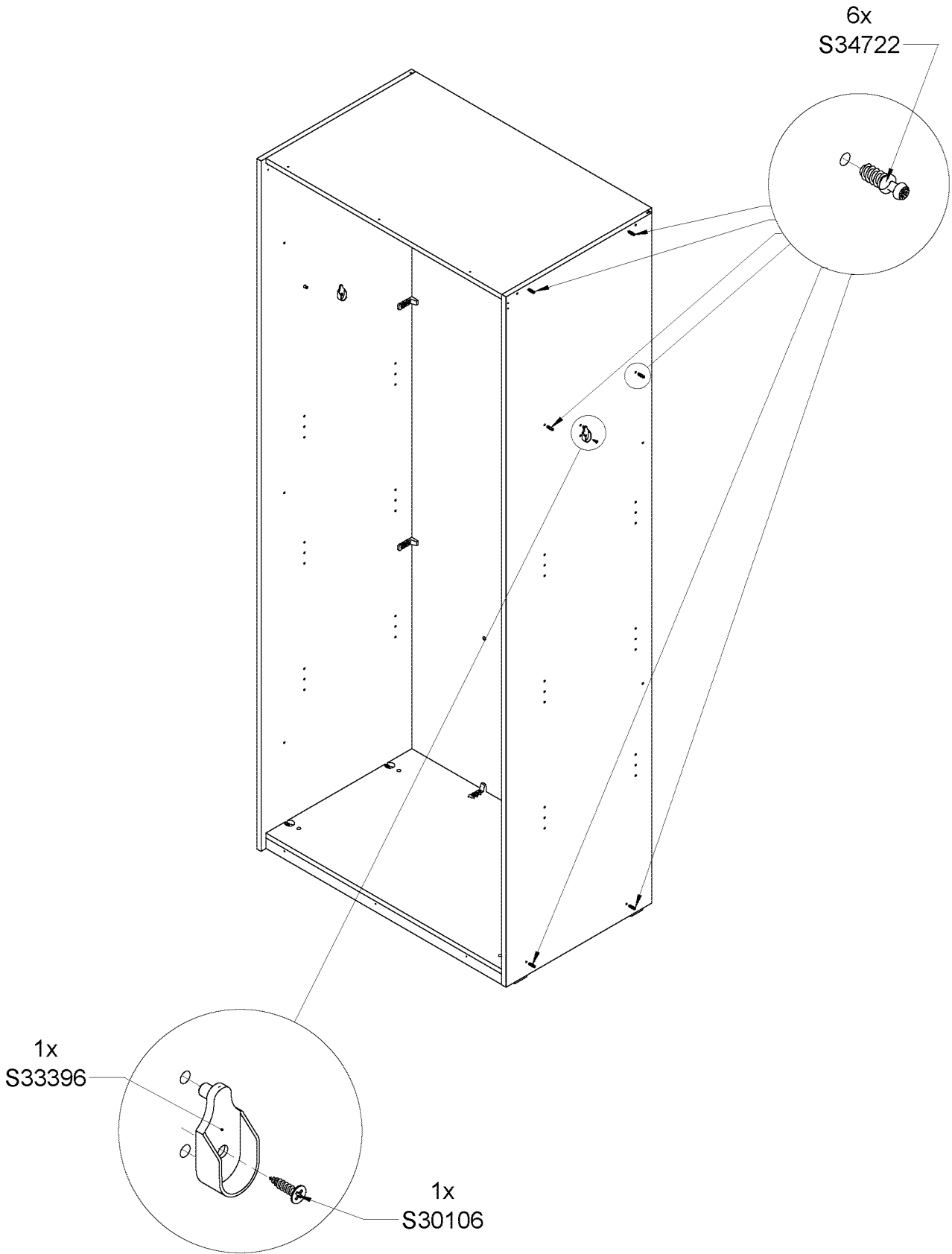
2x



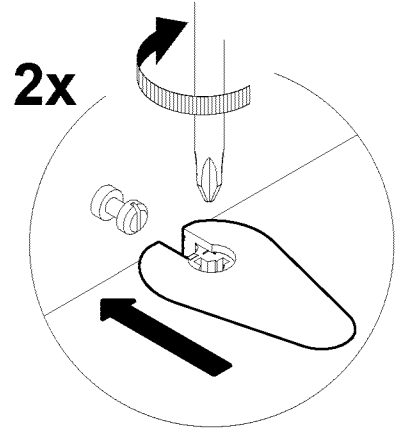
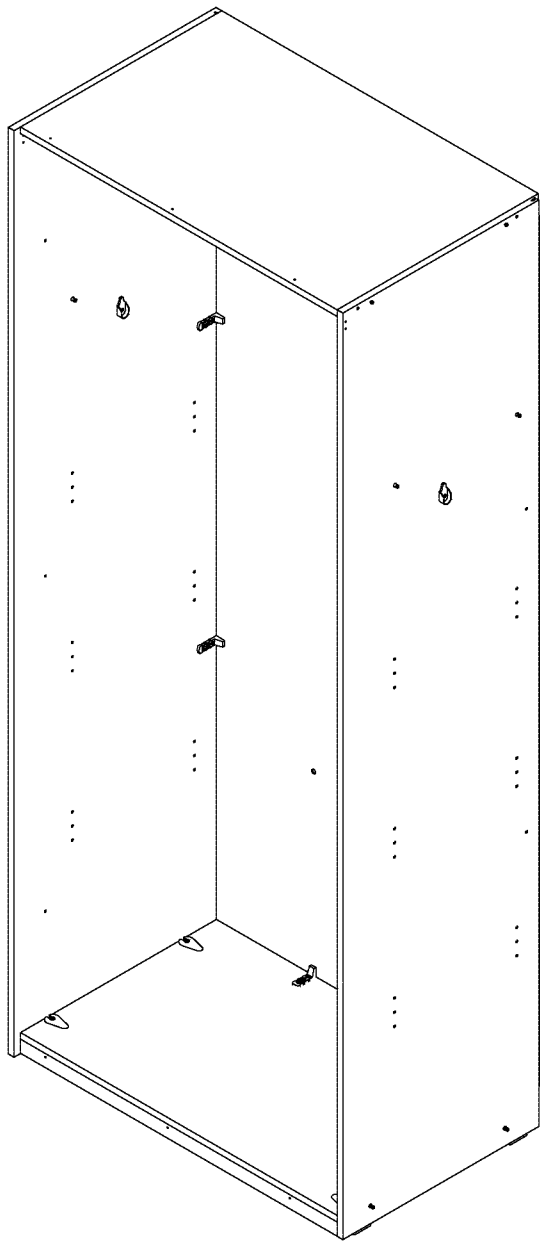
327833



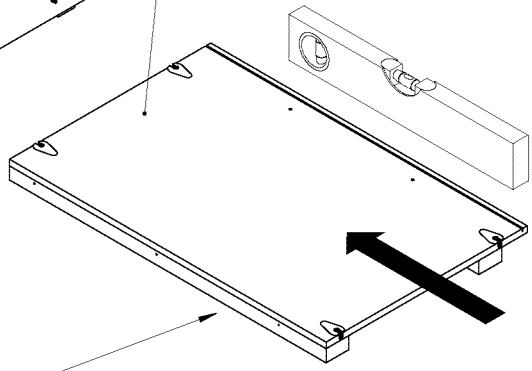
9



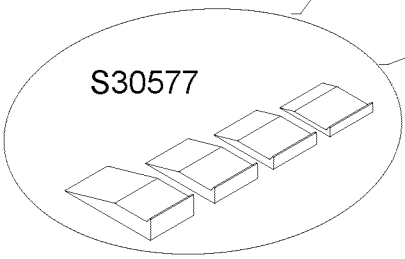
10



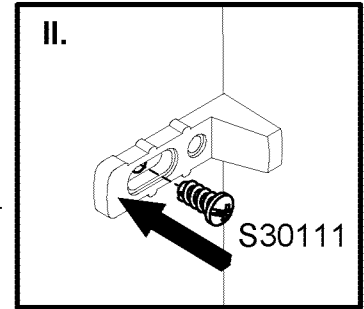
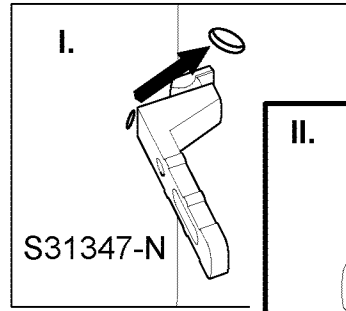
327832



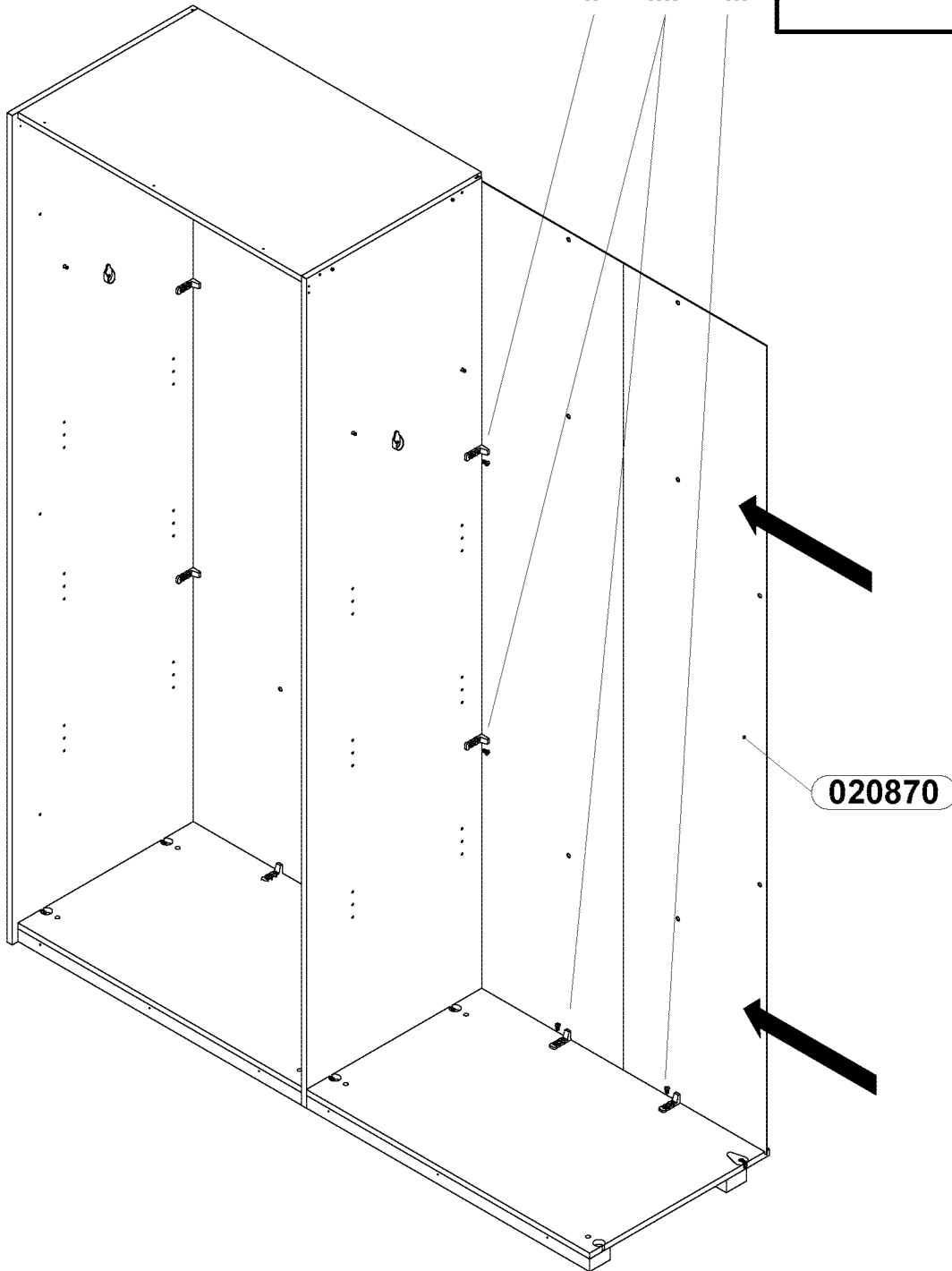
S30577



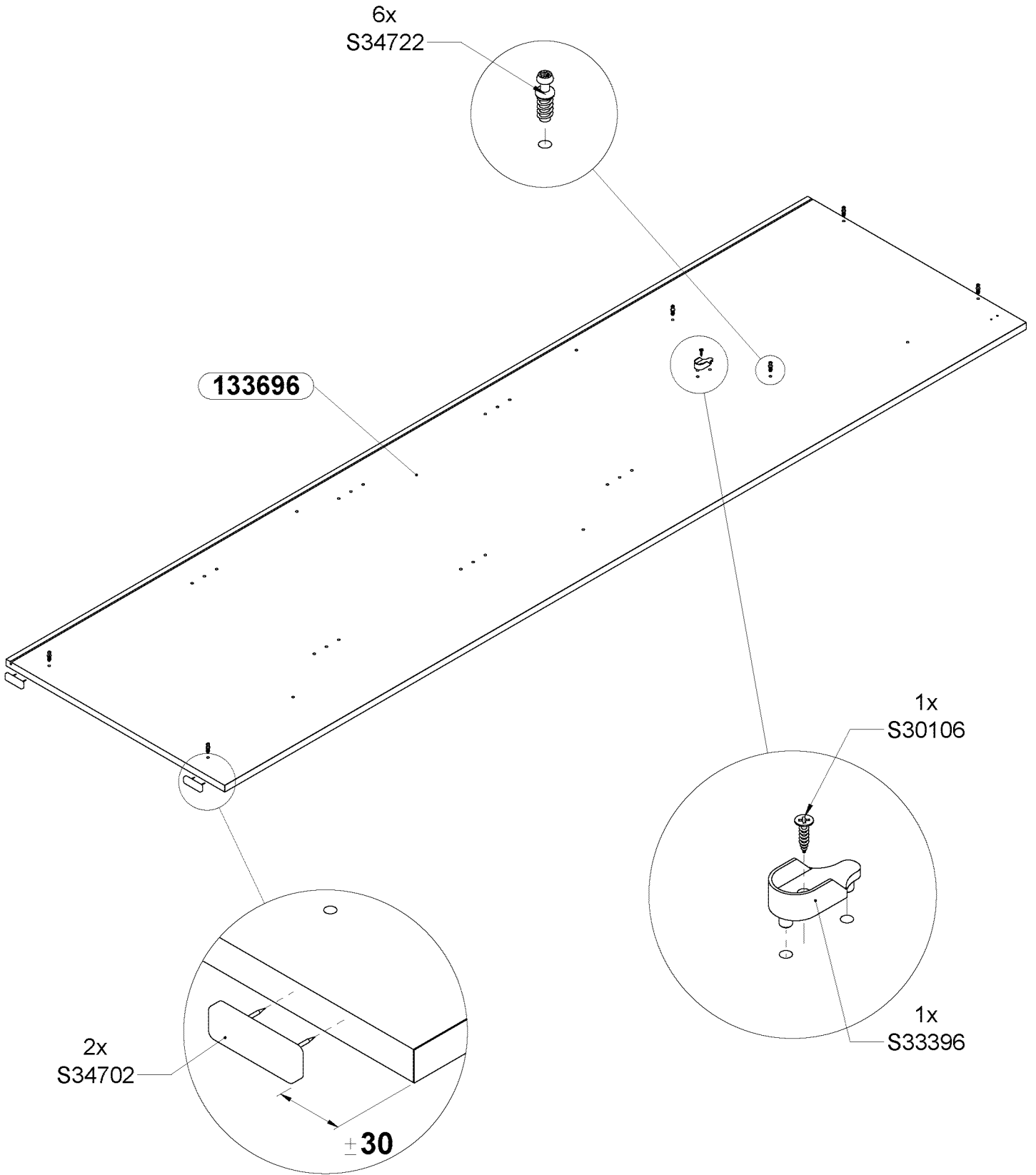
4x



I. III. II.

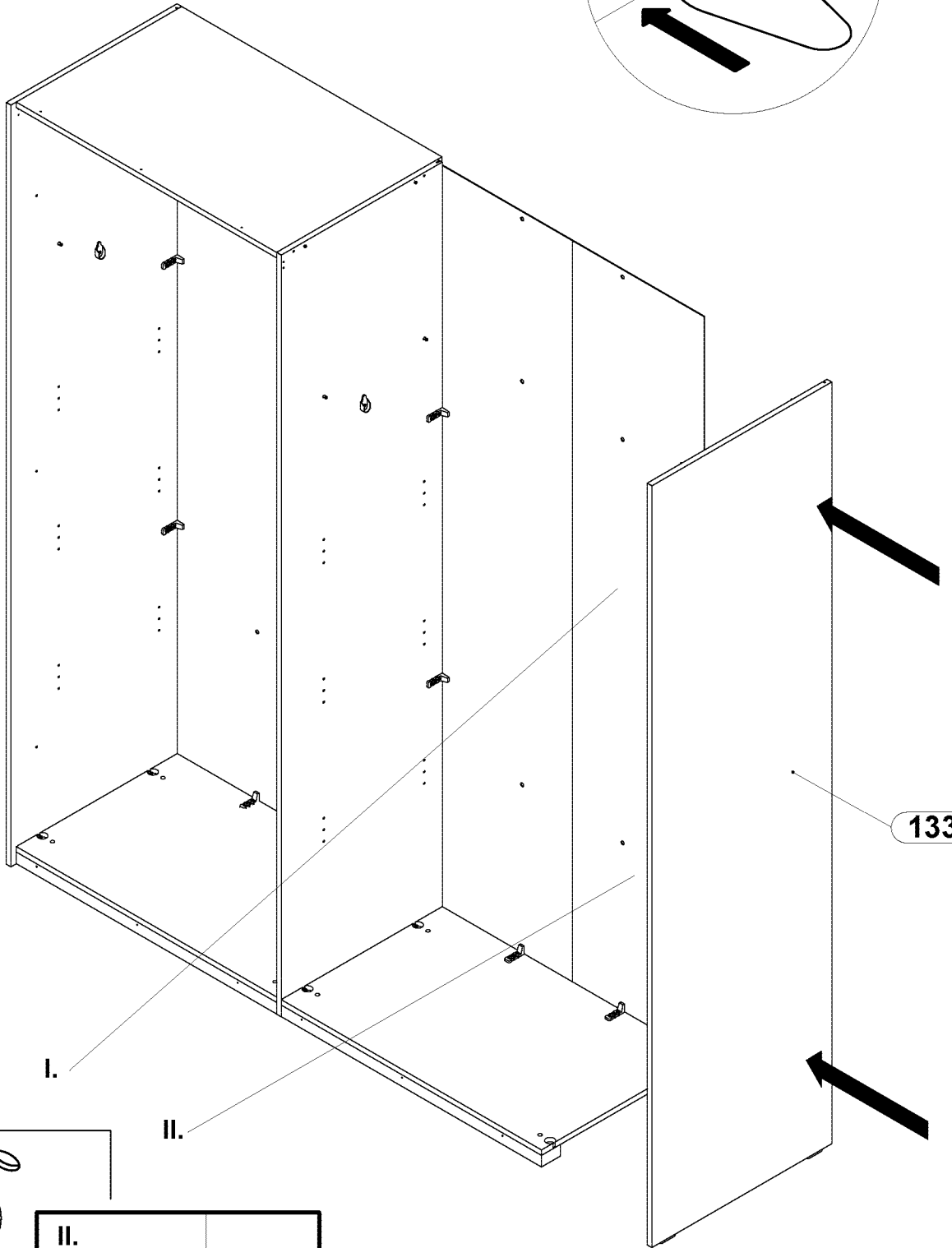
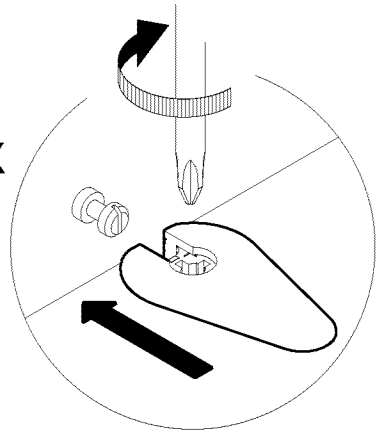


12



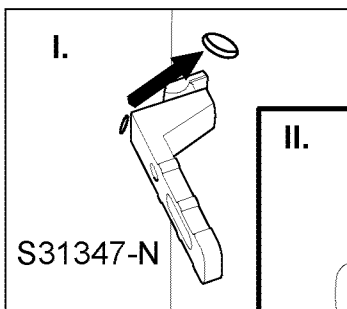
13

2x

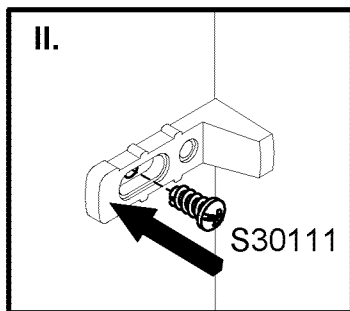


133696

2x



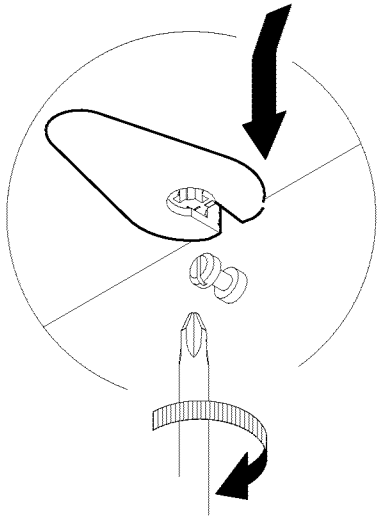
S31347-N



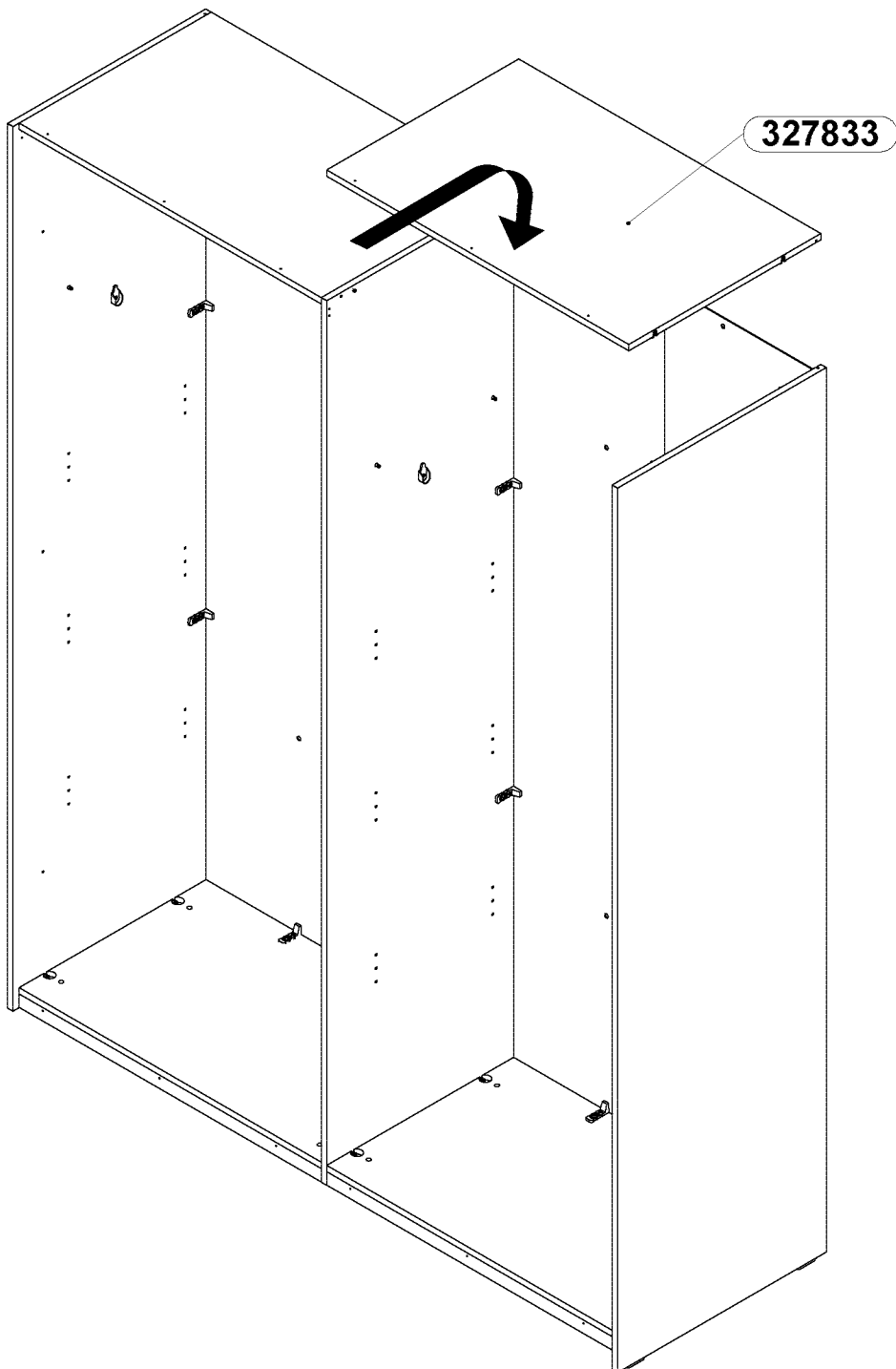
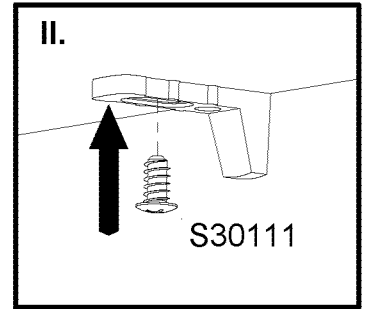
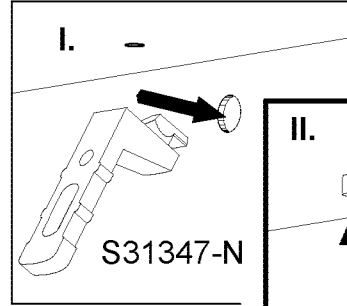
S30111

14

4x

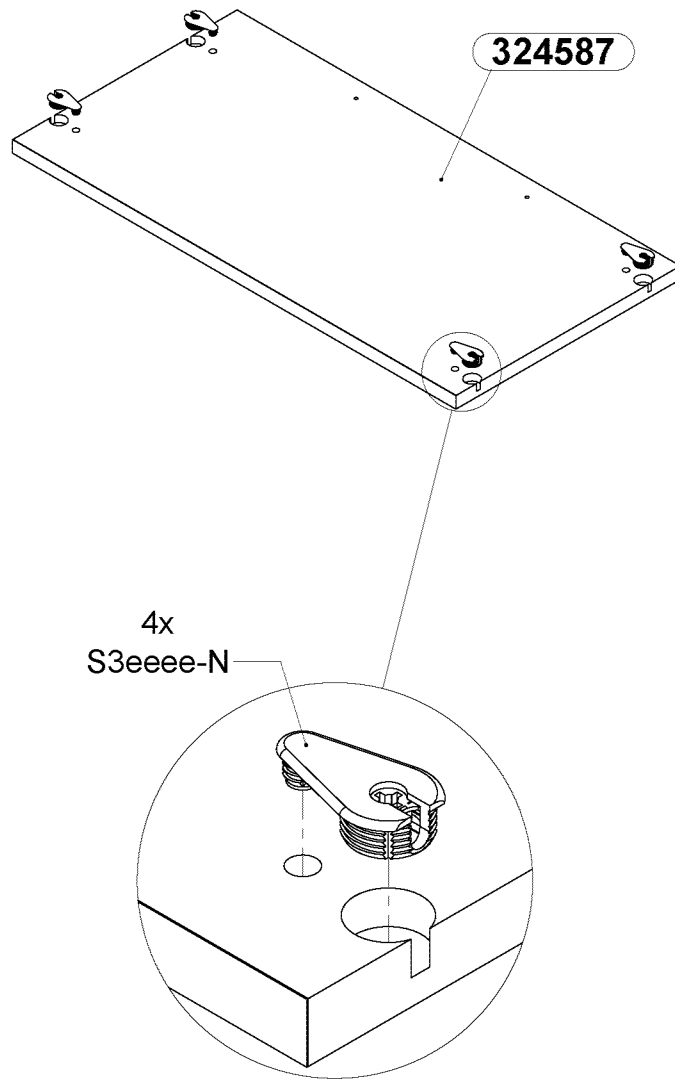


2x

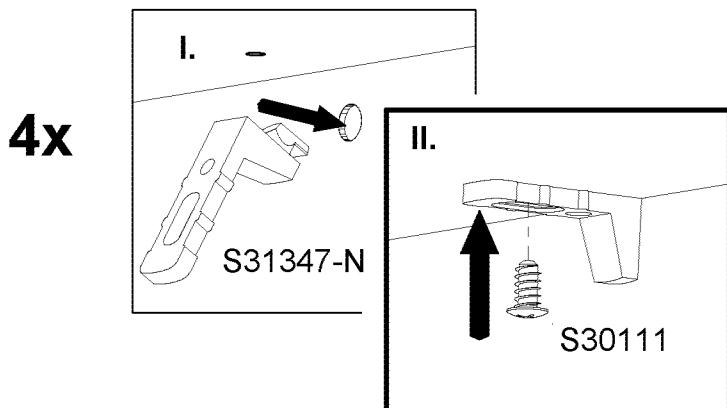
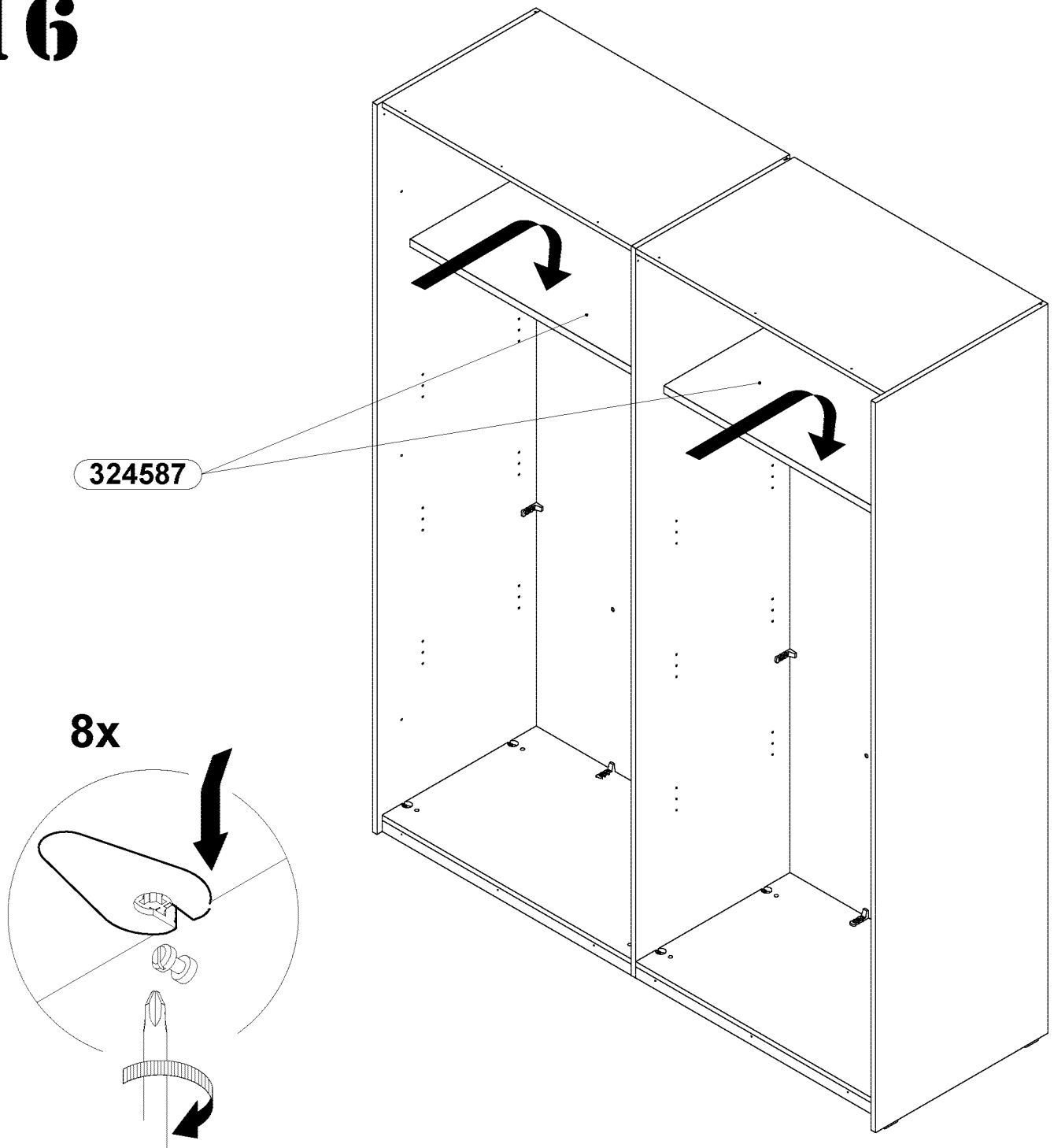


15

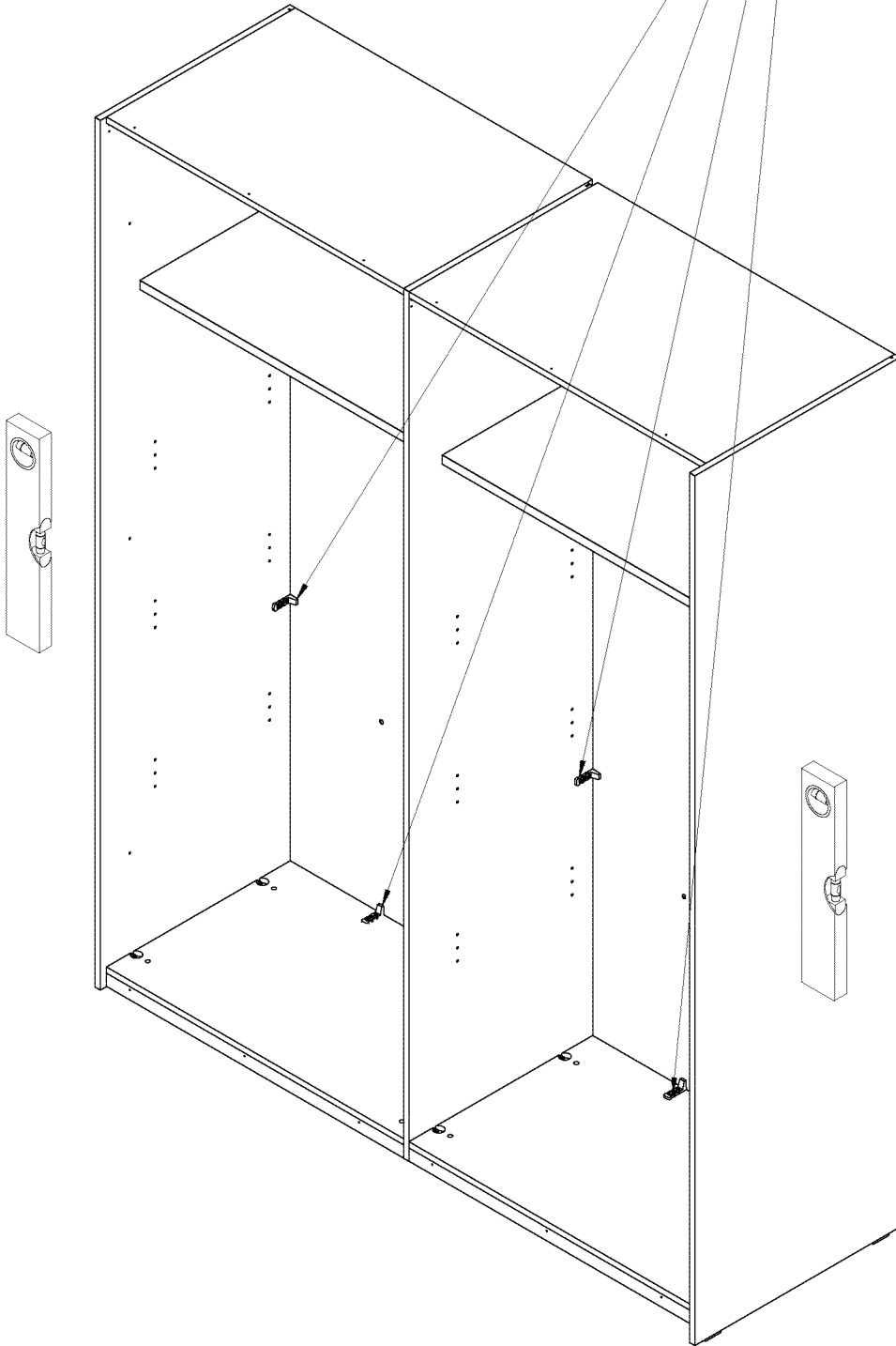
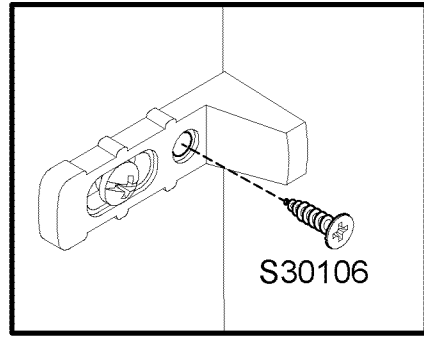
2x



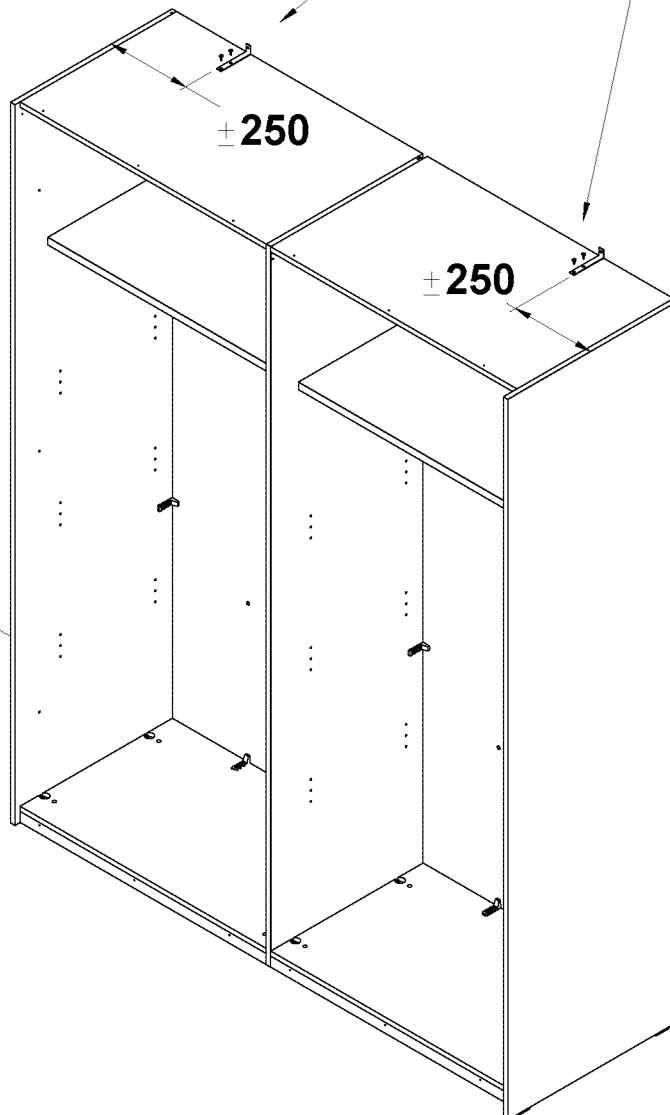
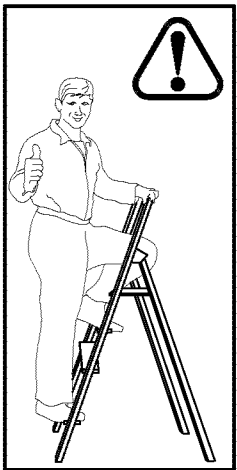
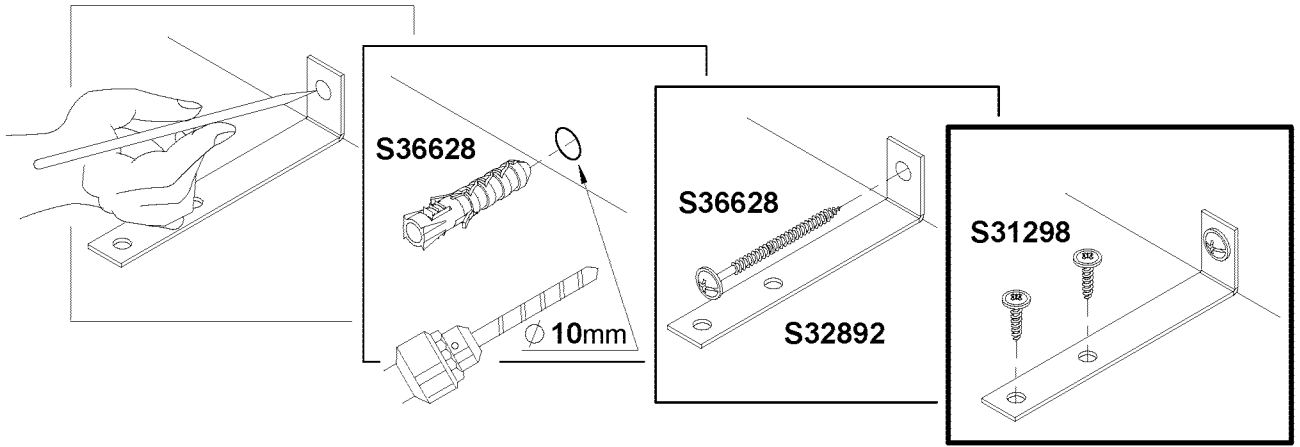
16



20x



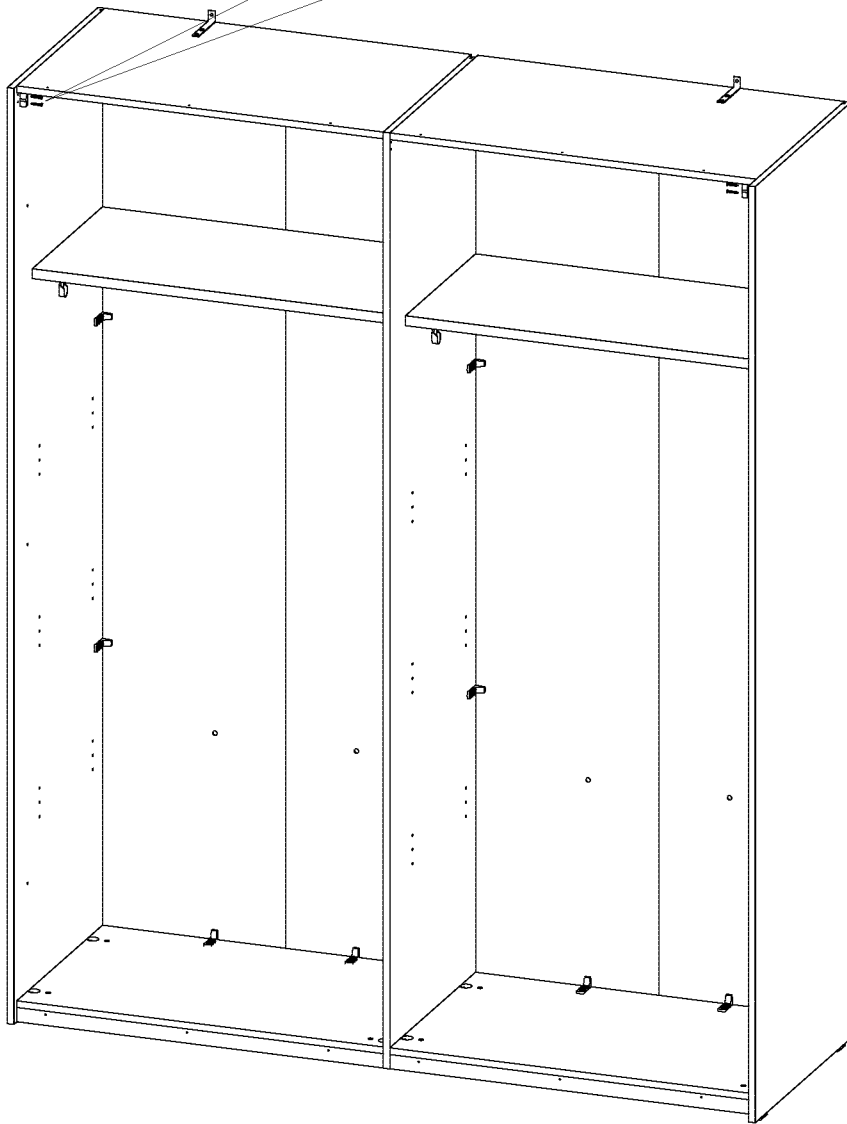
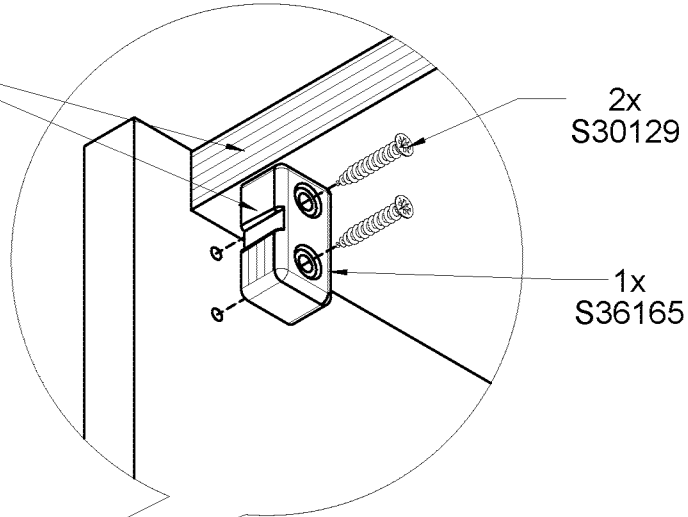
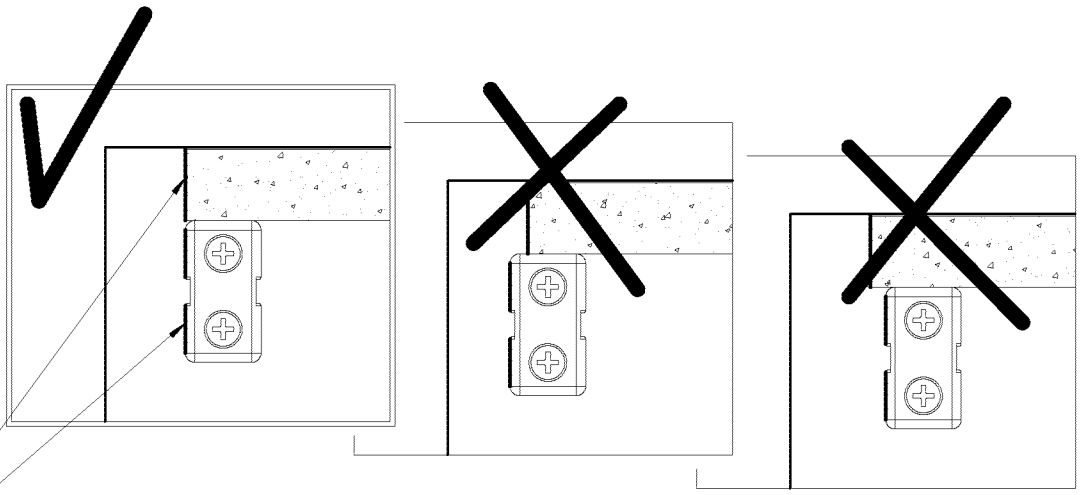
18



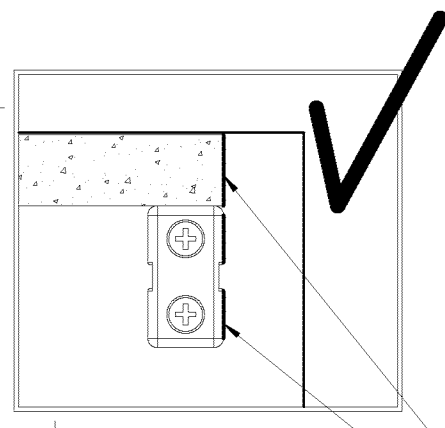
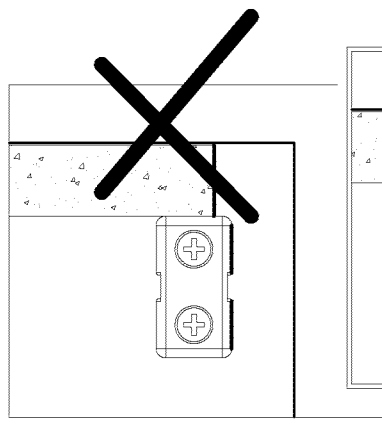
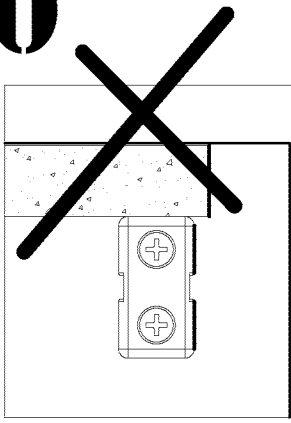
19



=



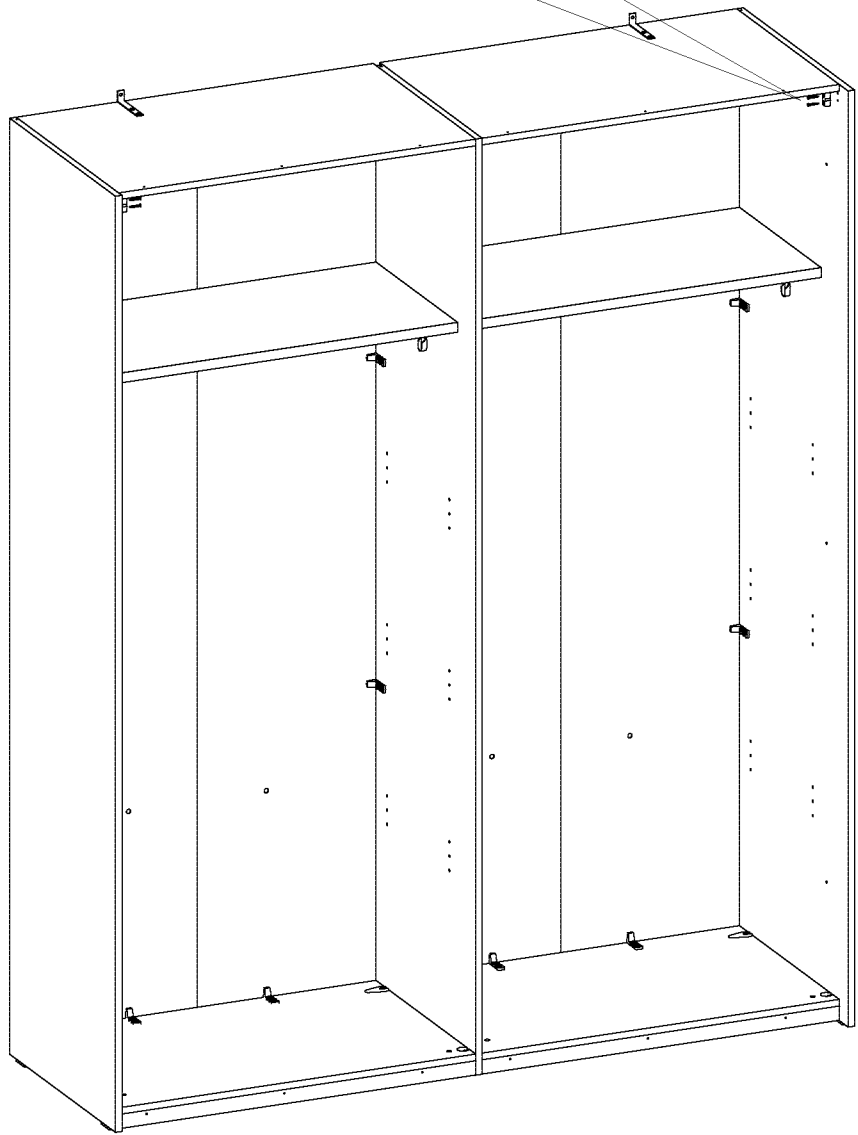
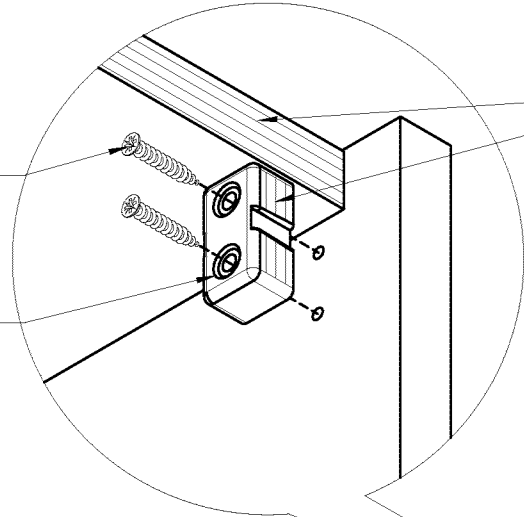
20



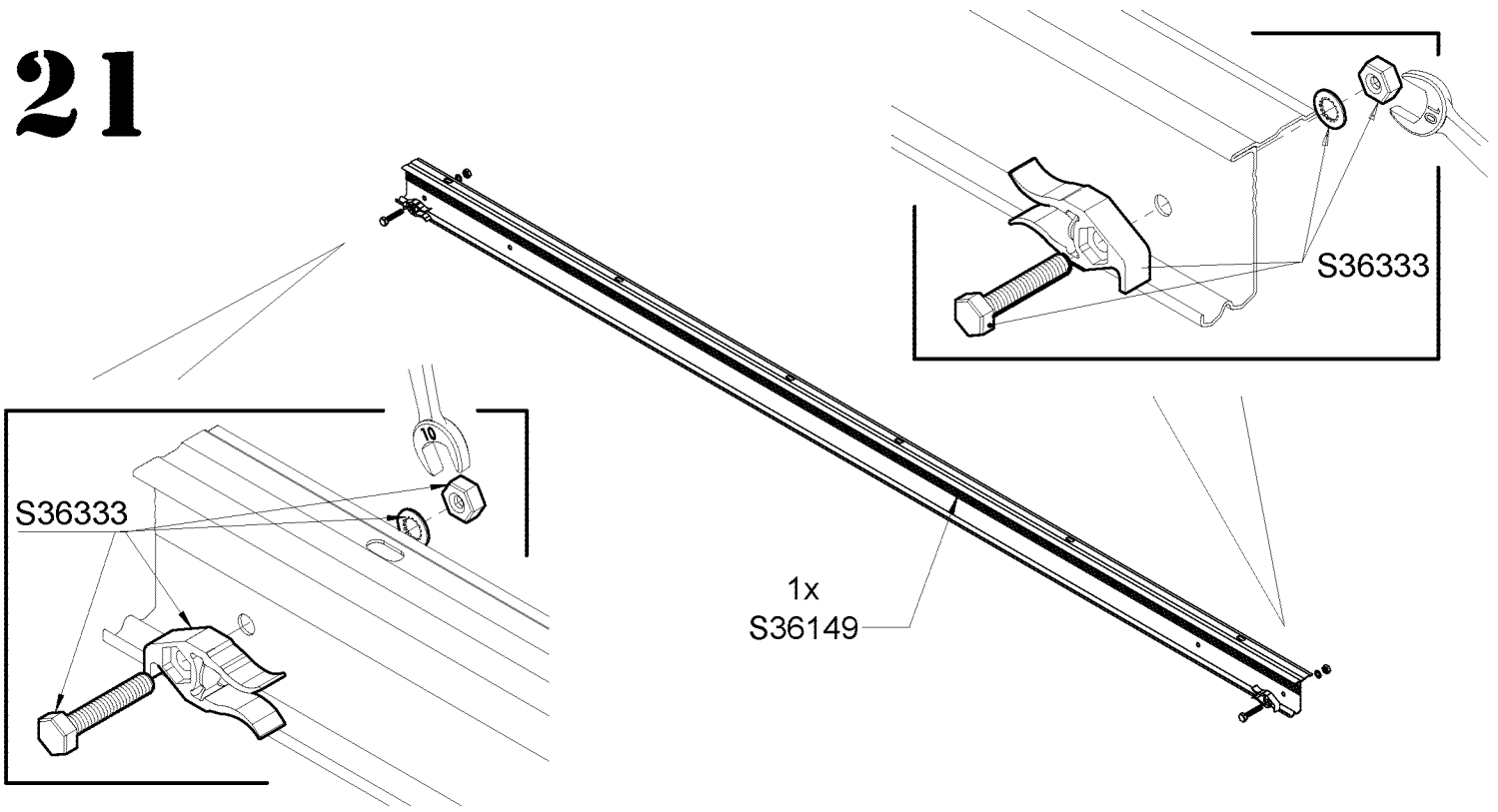
=

2x
S30129

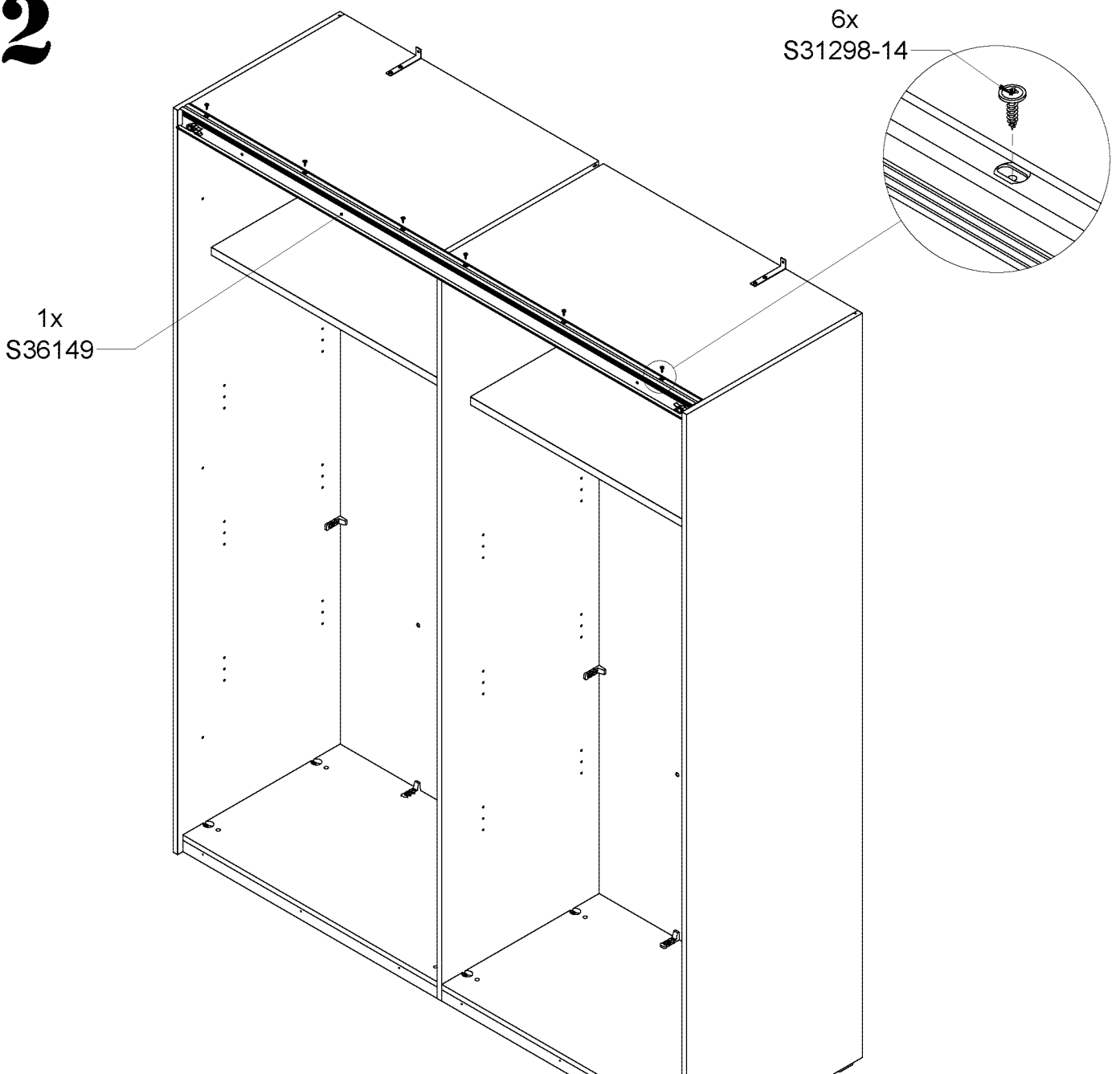
1x
S36165

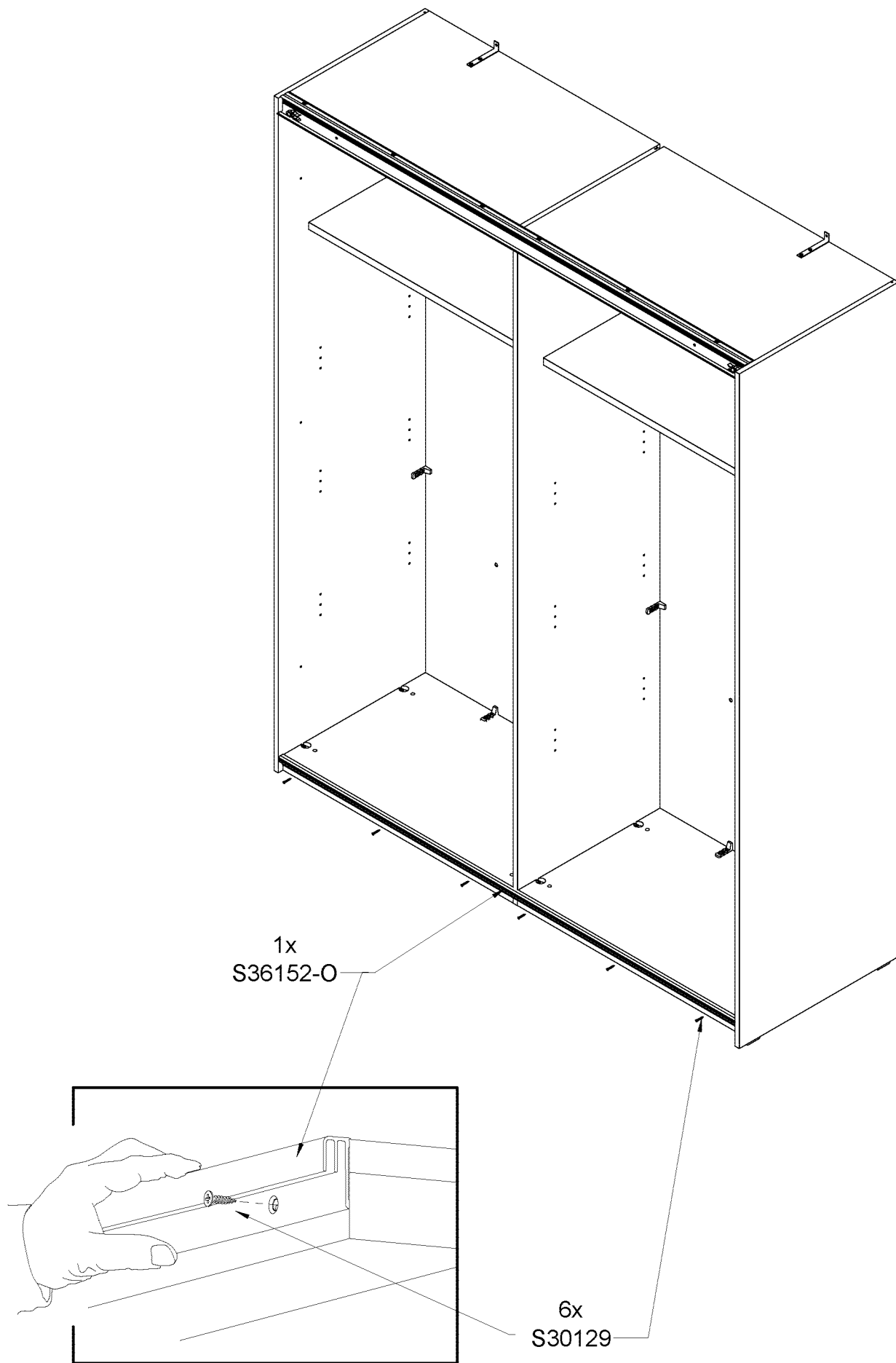


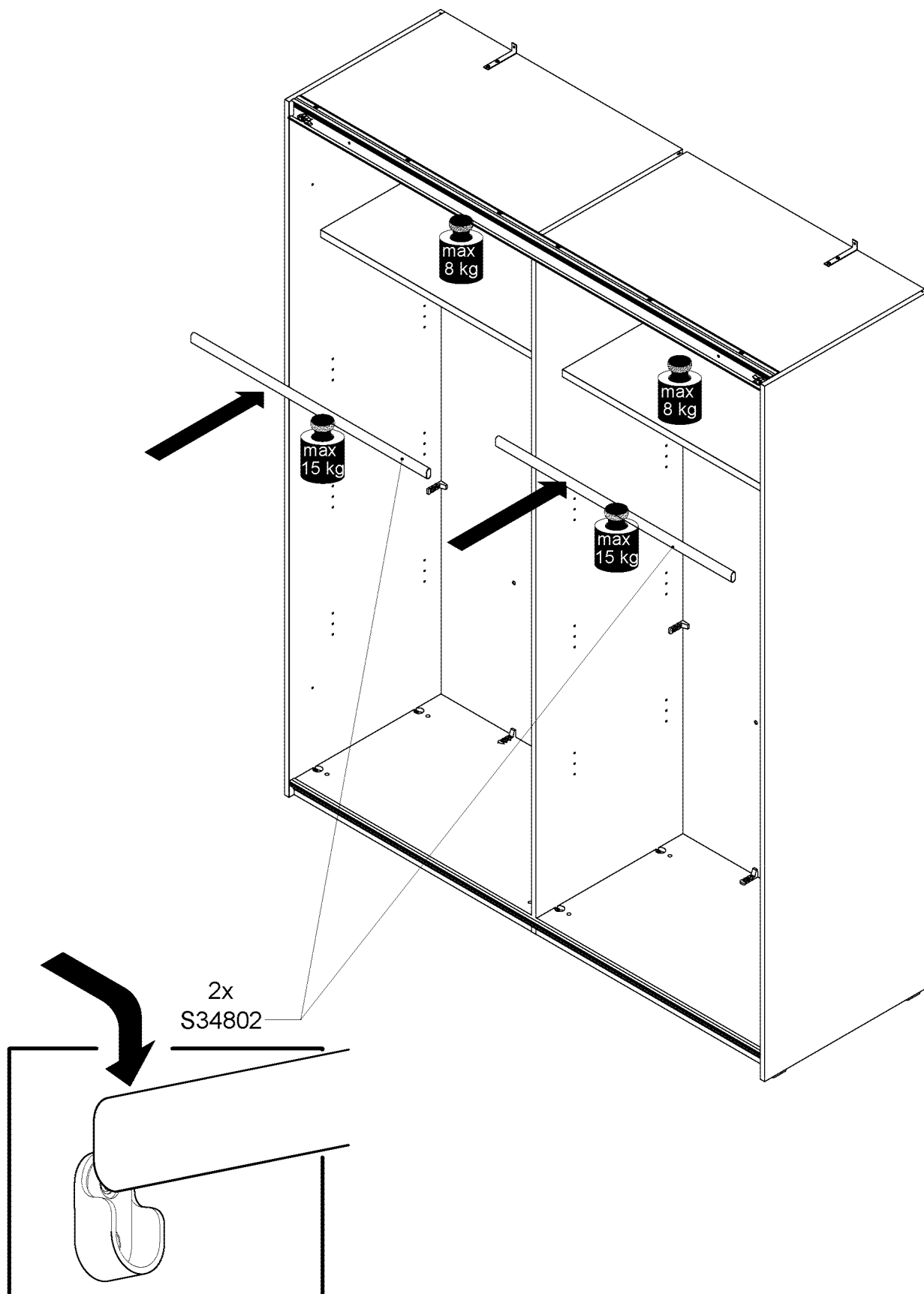
21

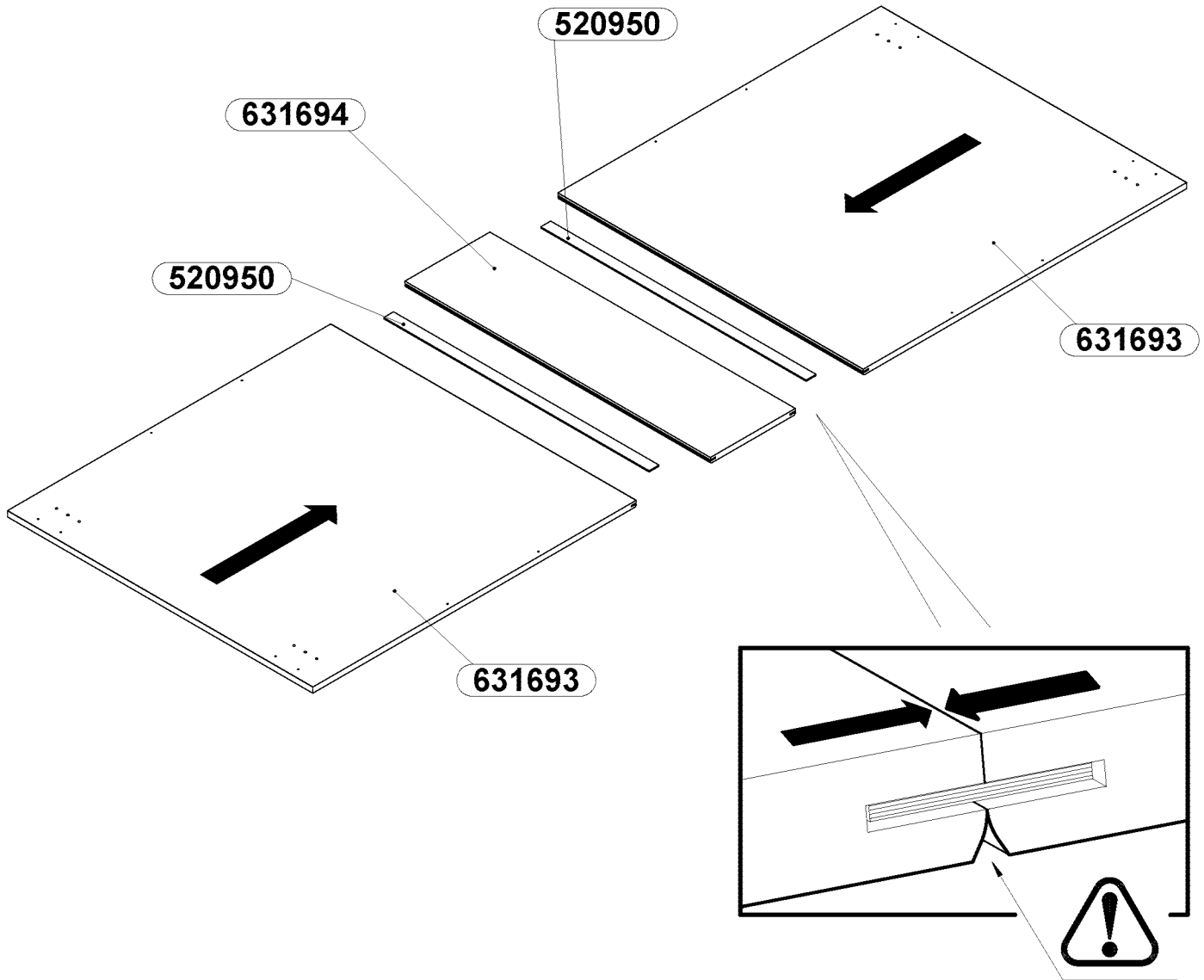
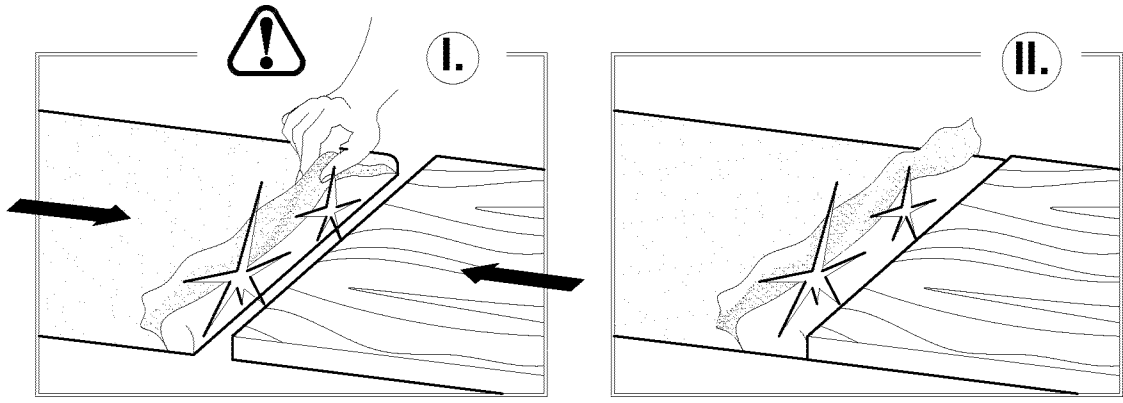


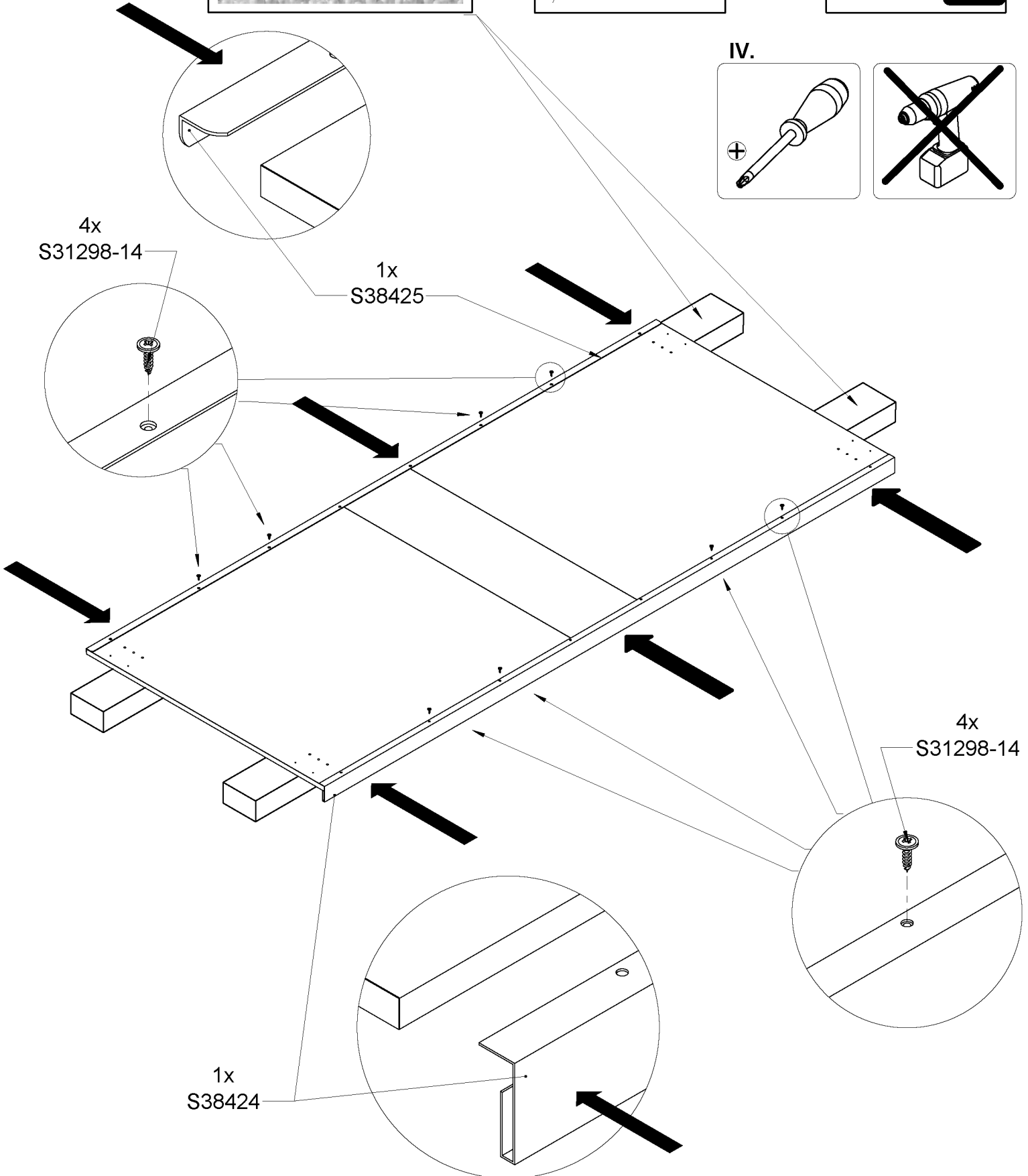
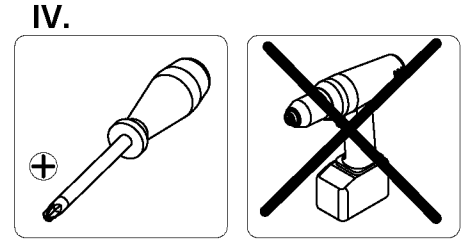
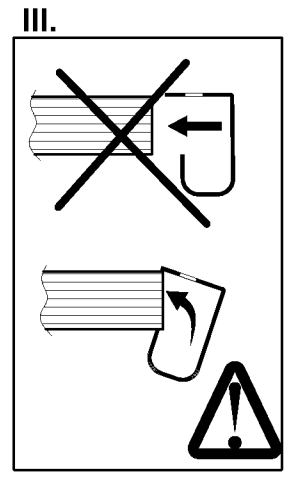
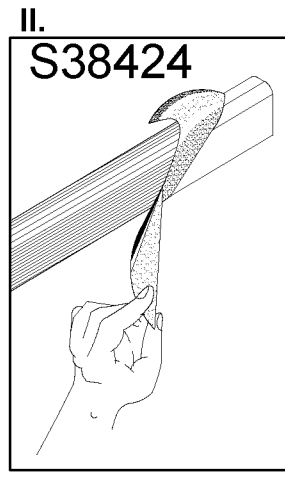
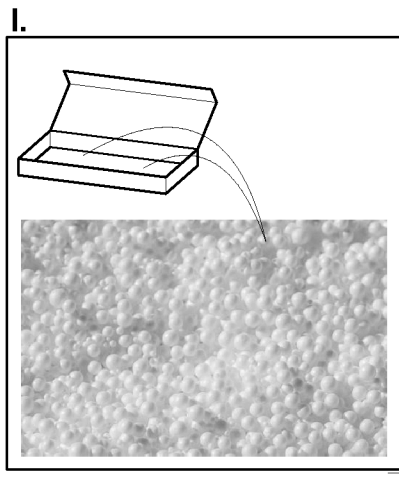
22

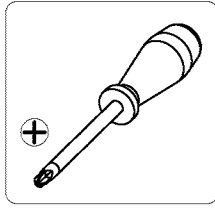




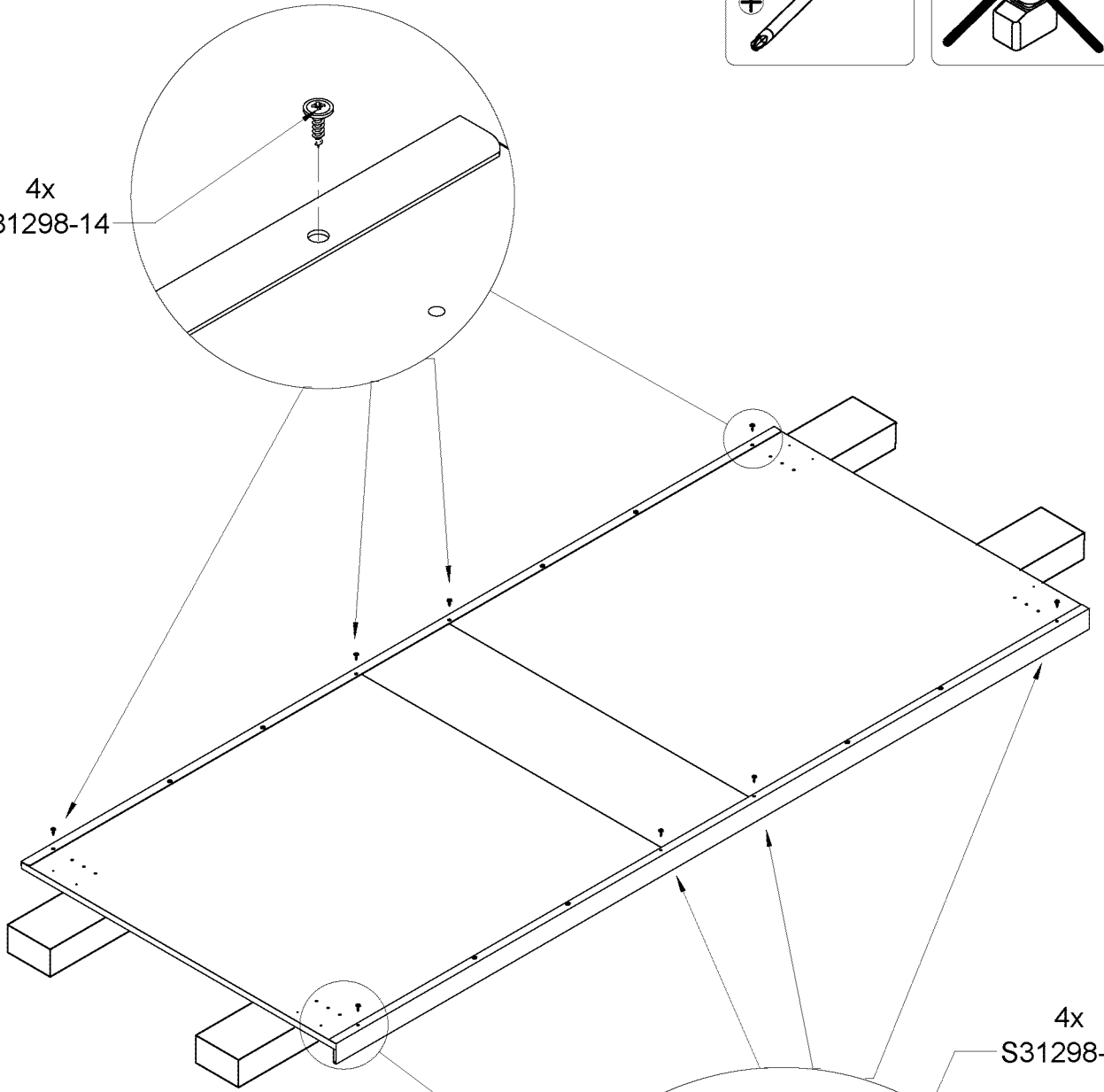




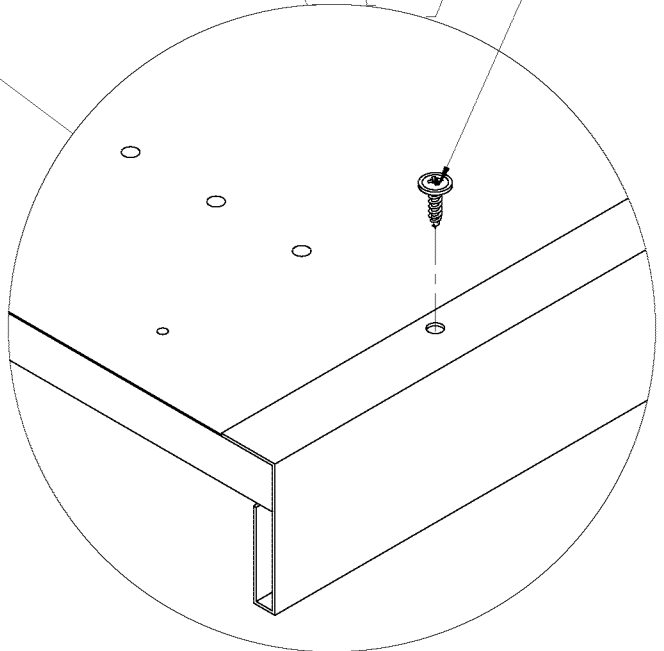


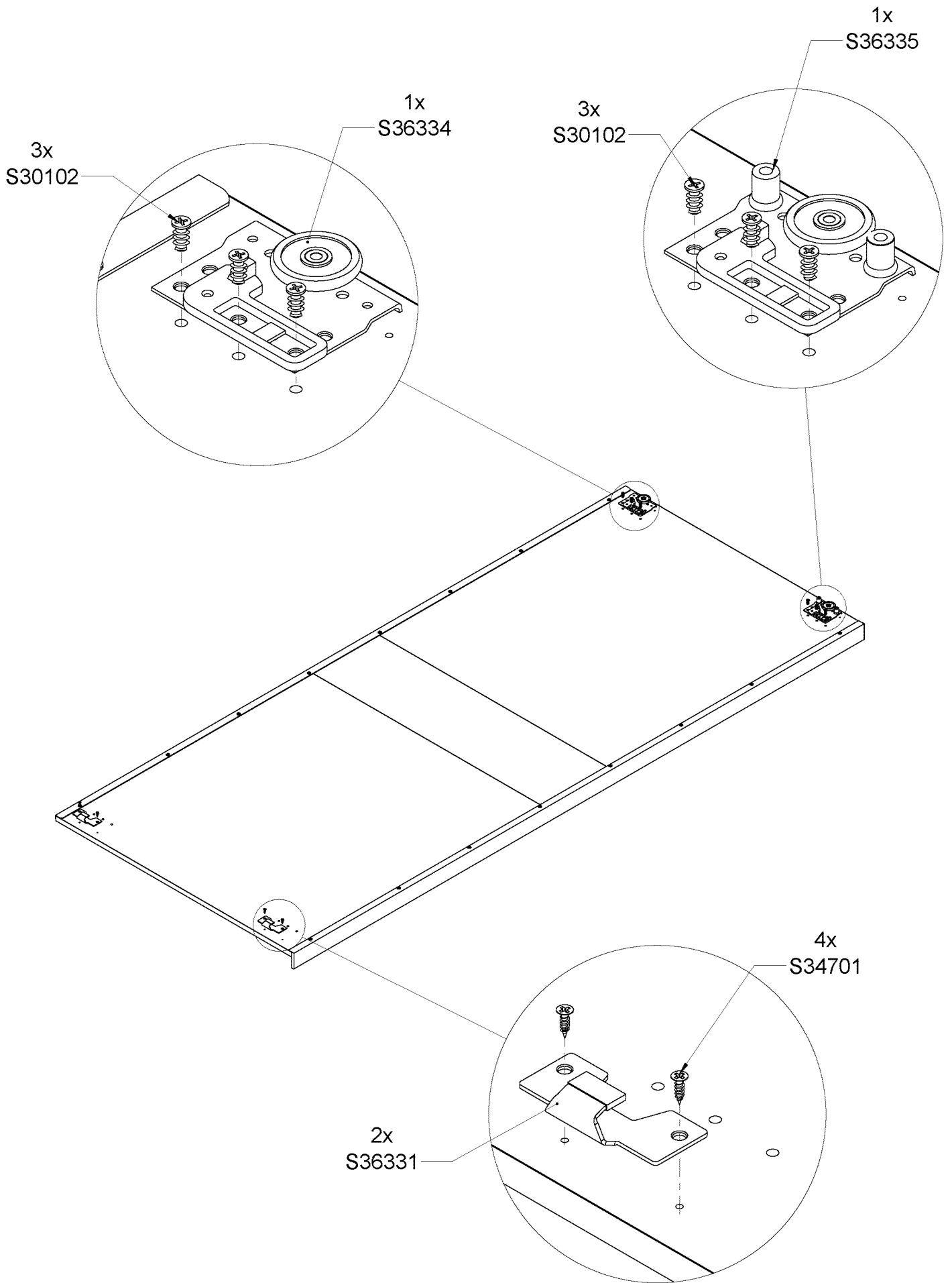


4x
S31298-14

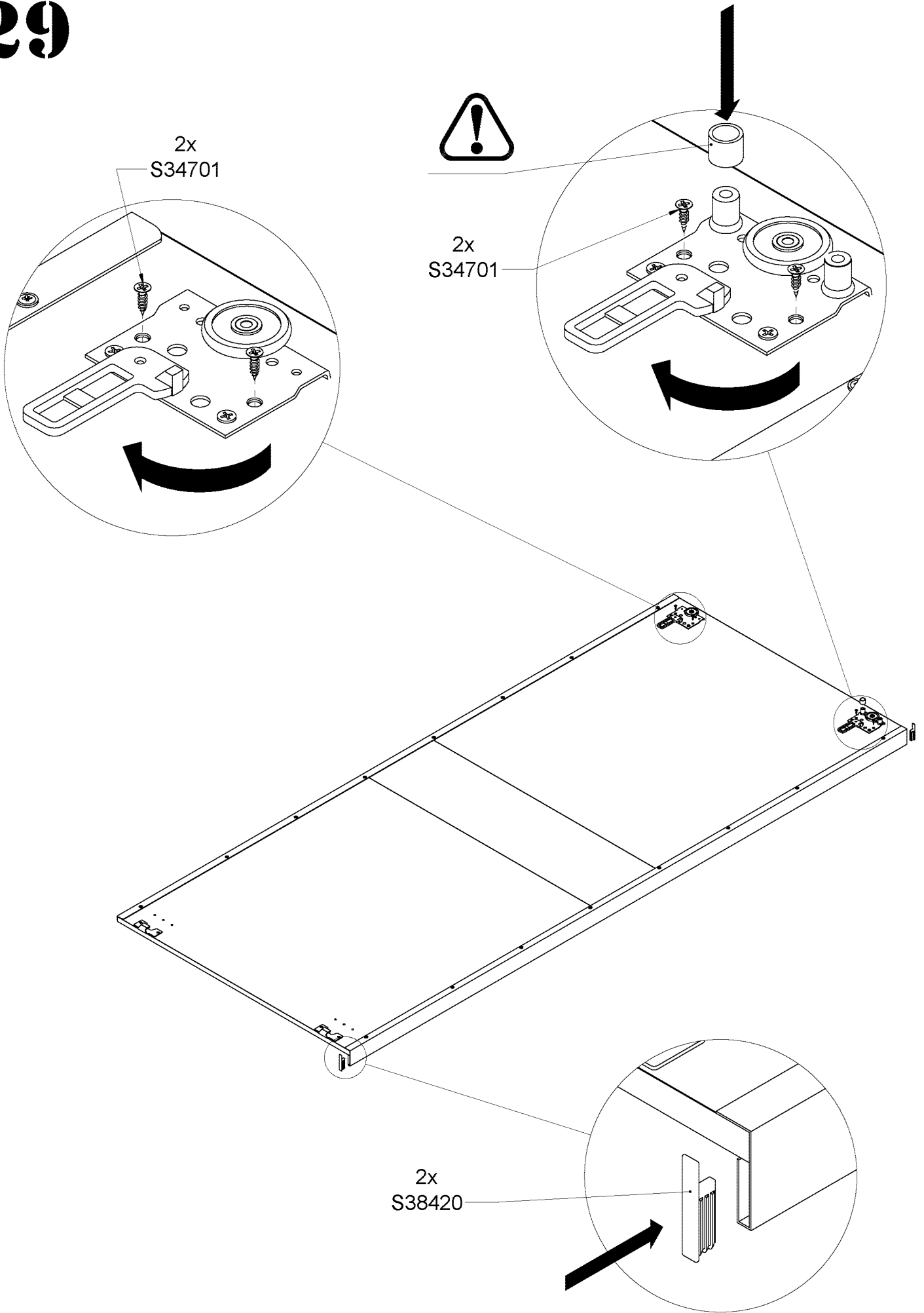


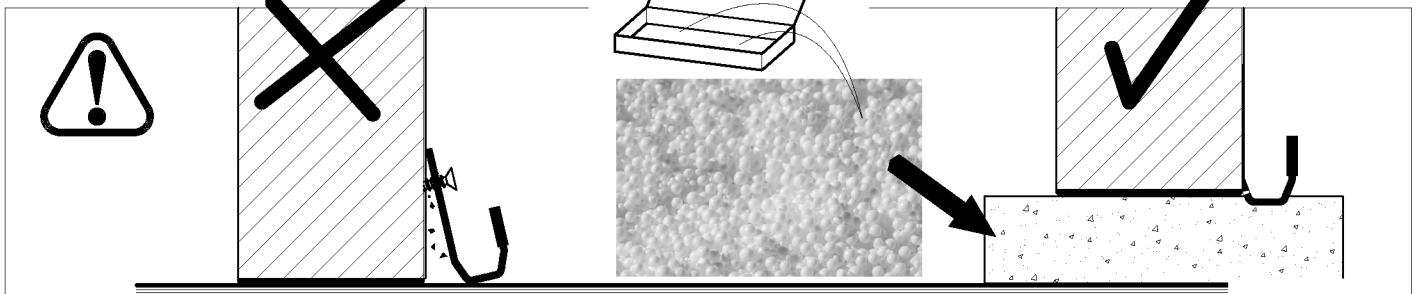
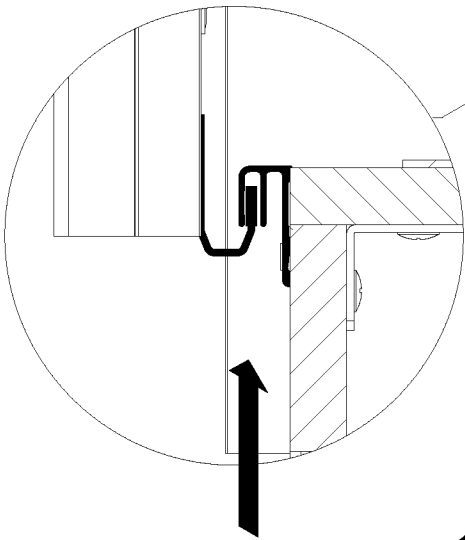
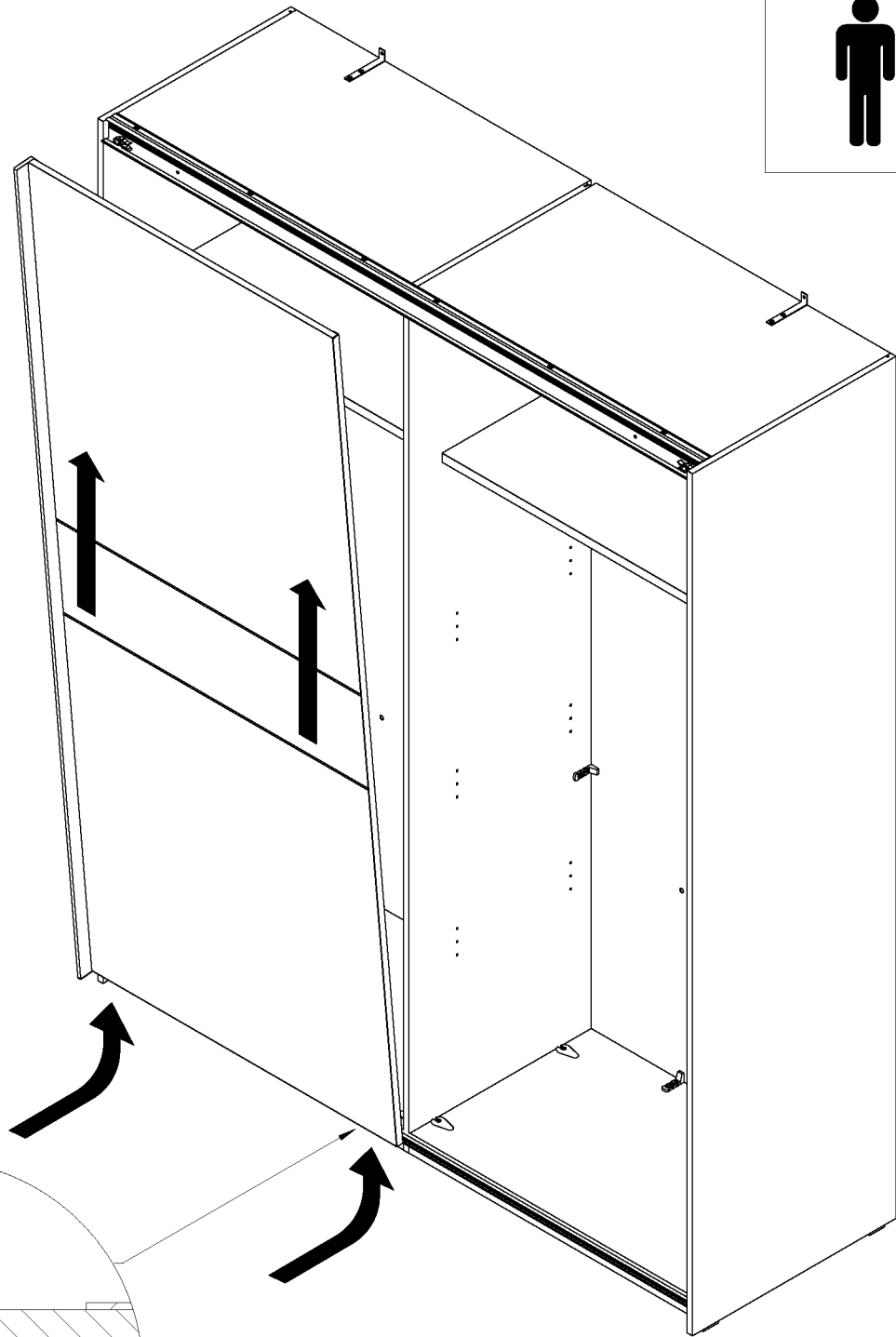
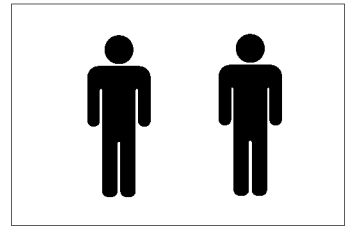
4x
S31298-14



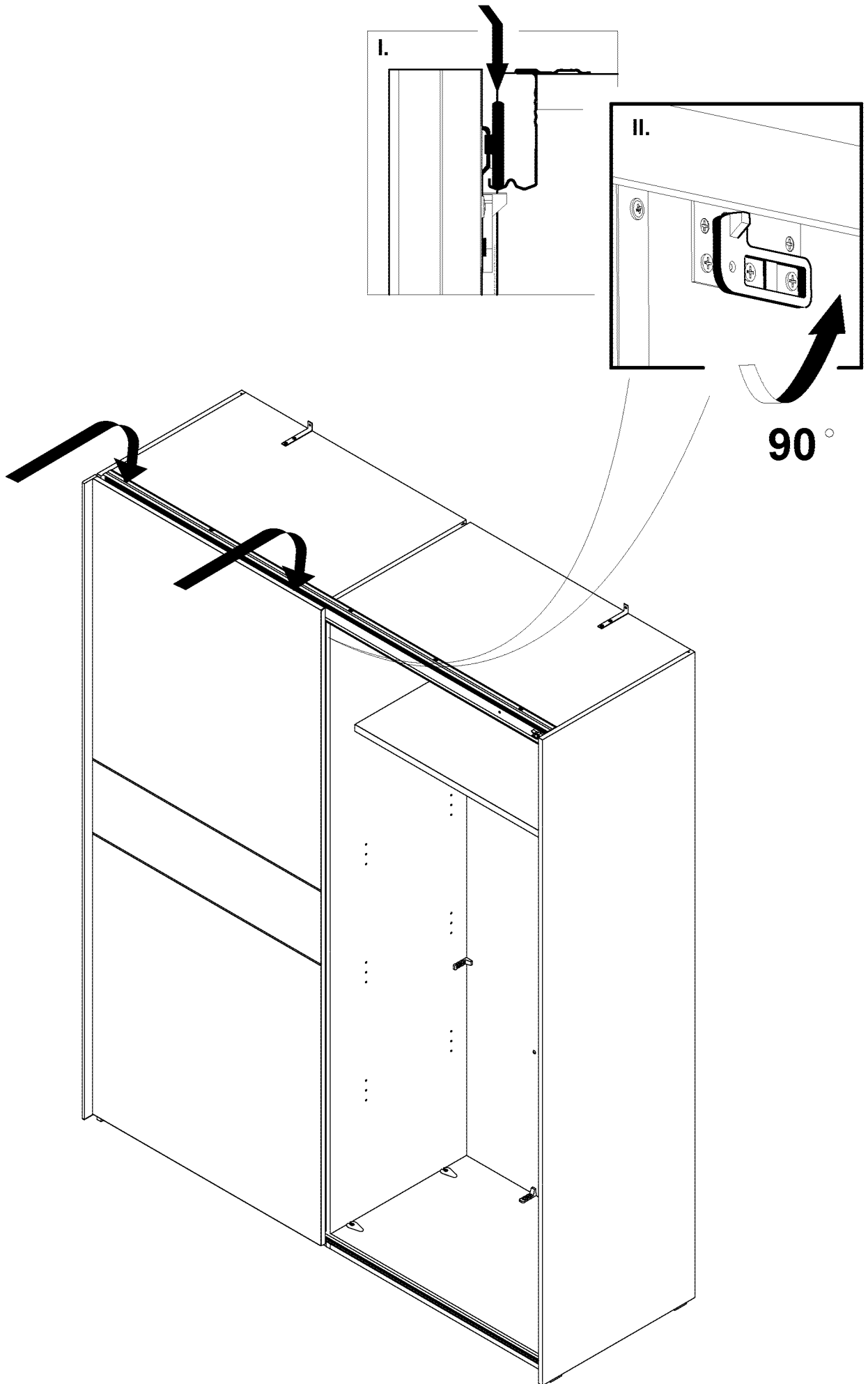


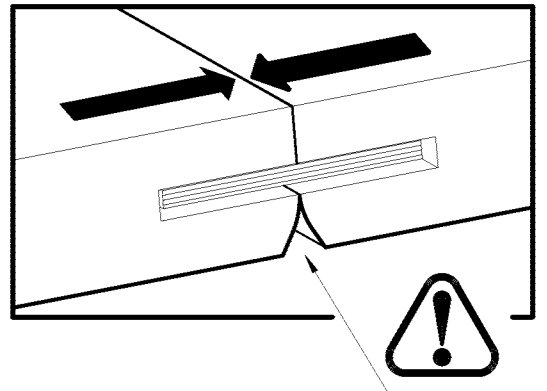
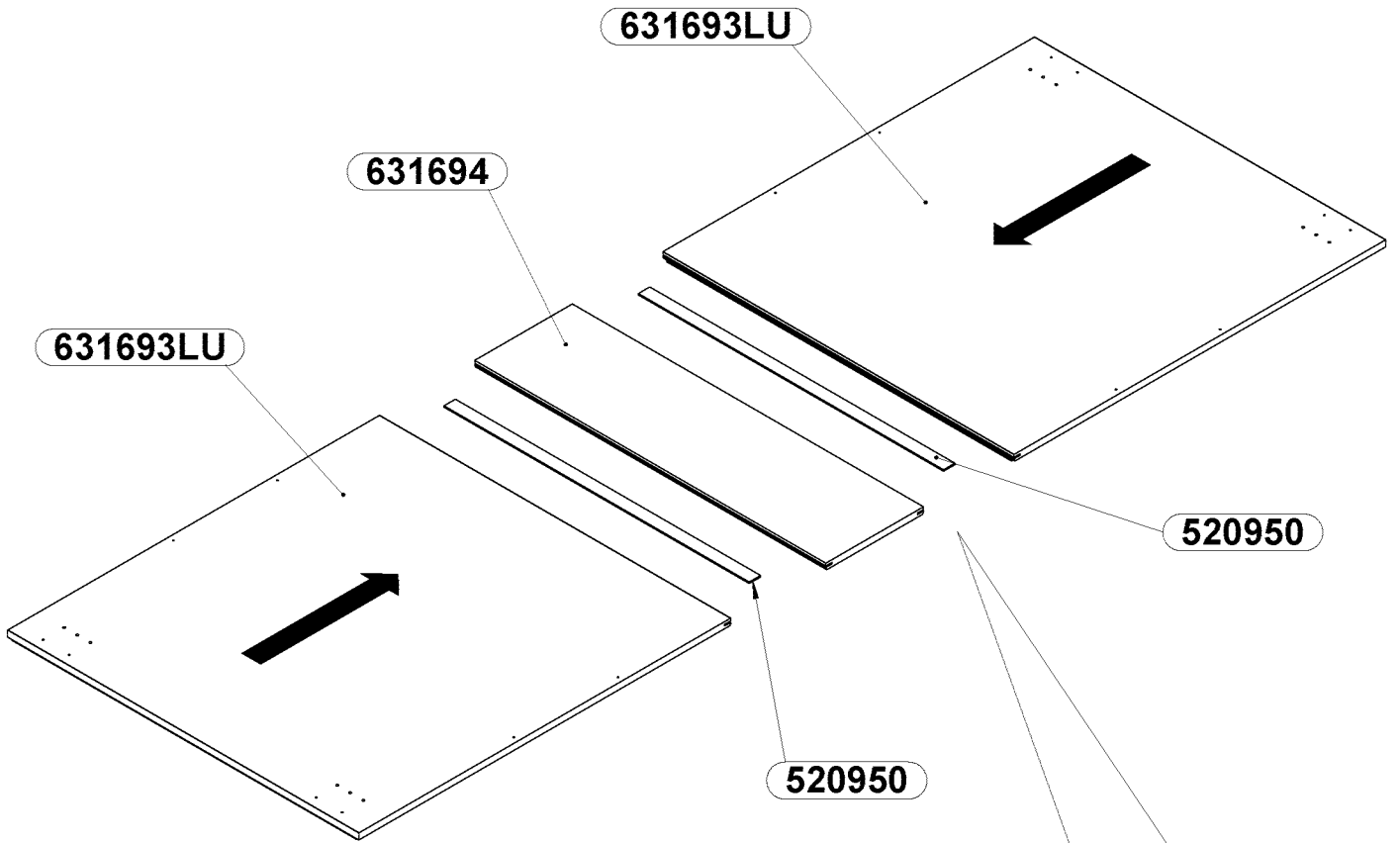
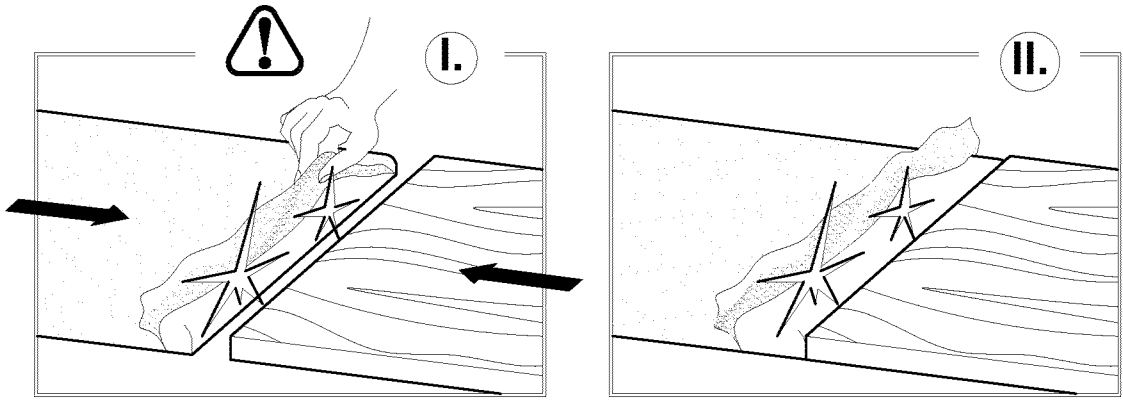
29

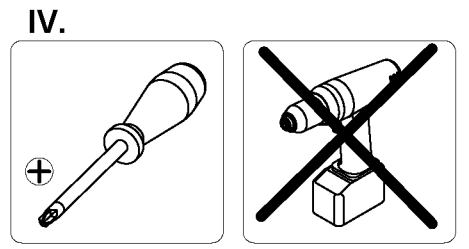
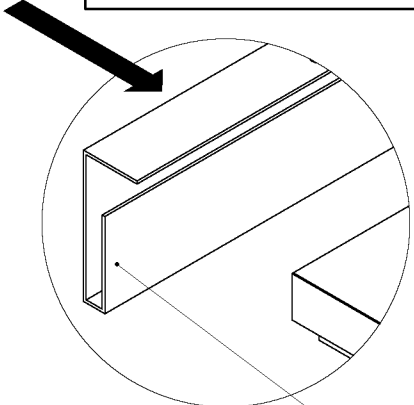
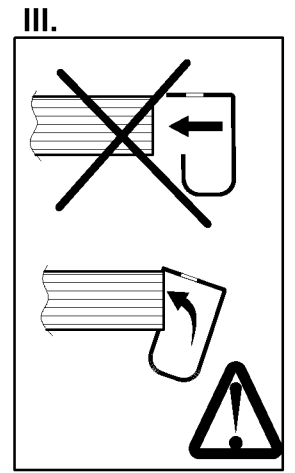
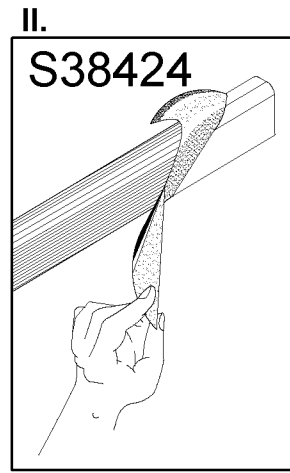
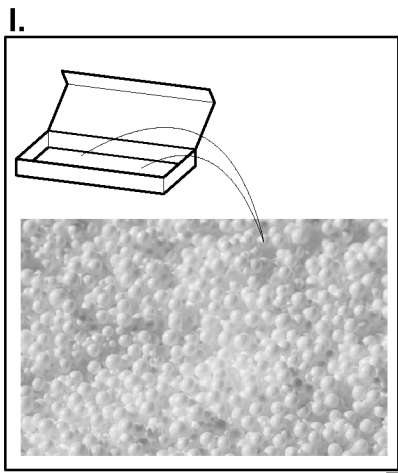




31





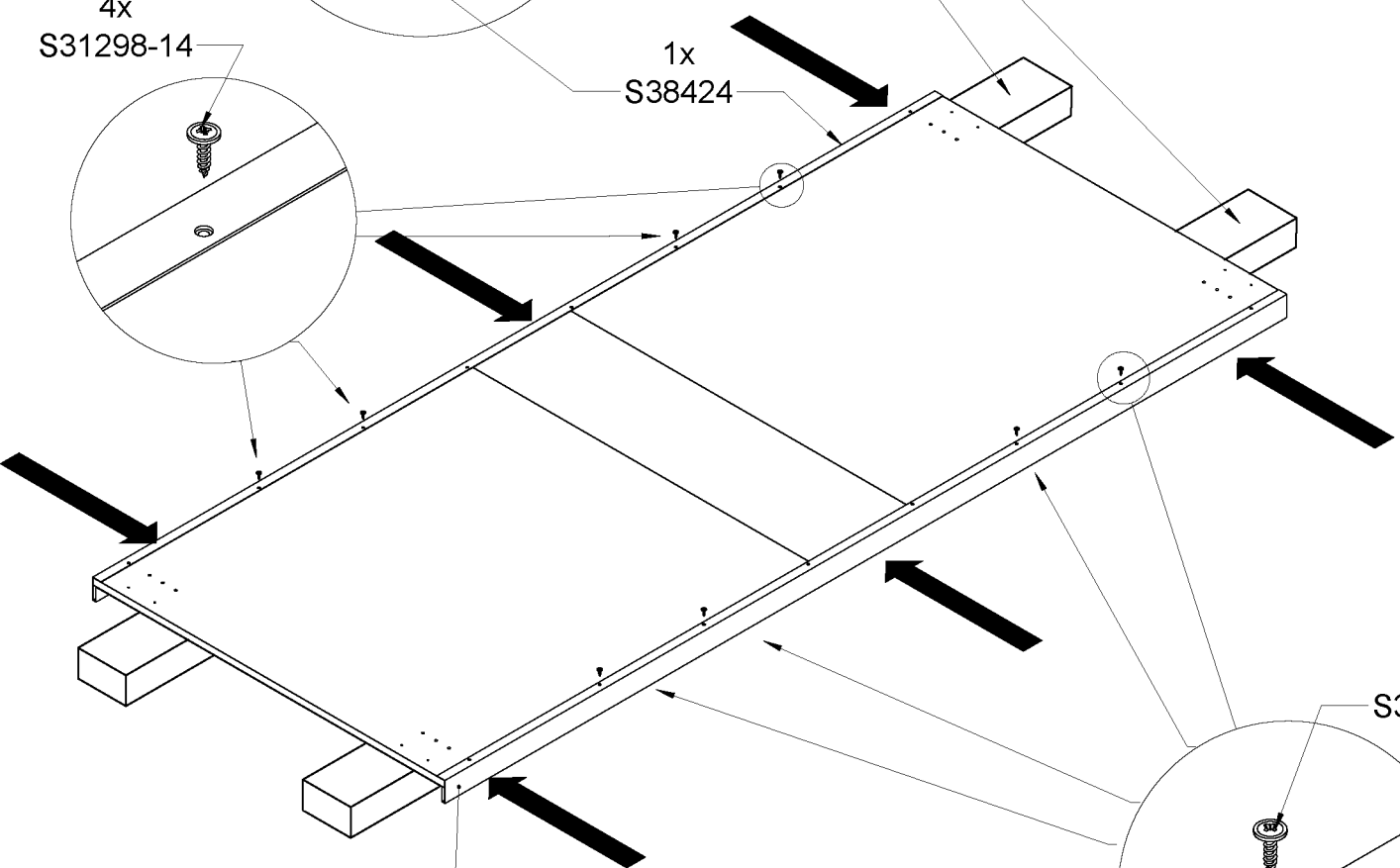
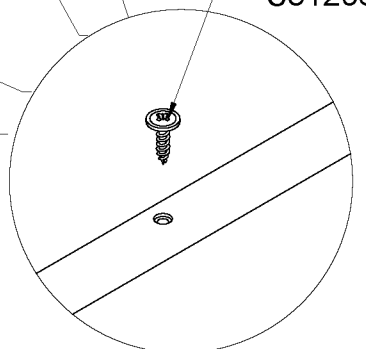
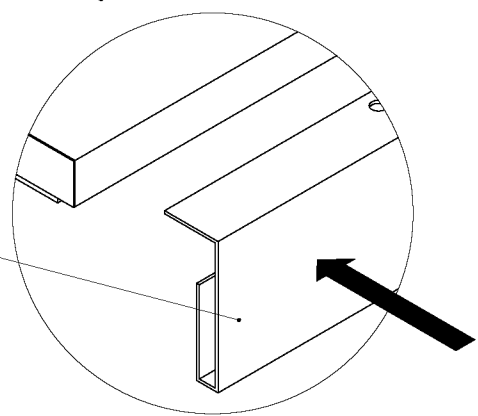


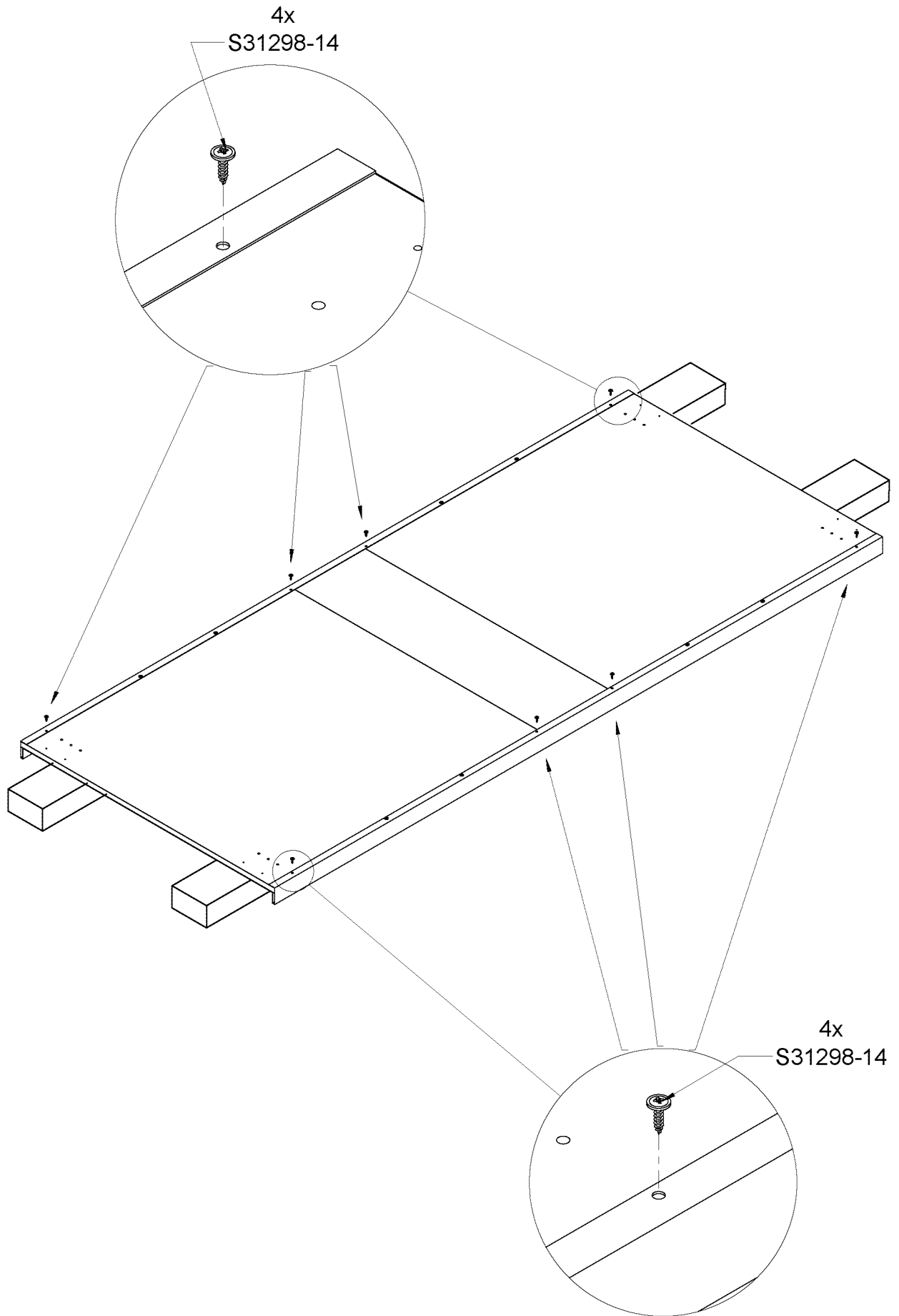
4x
S31298-14

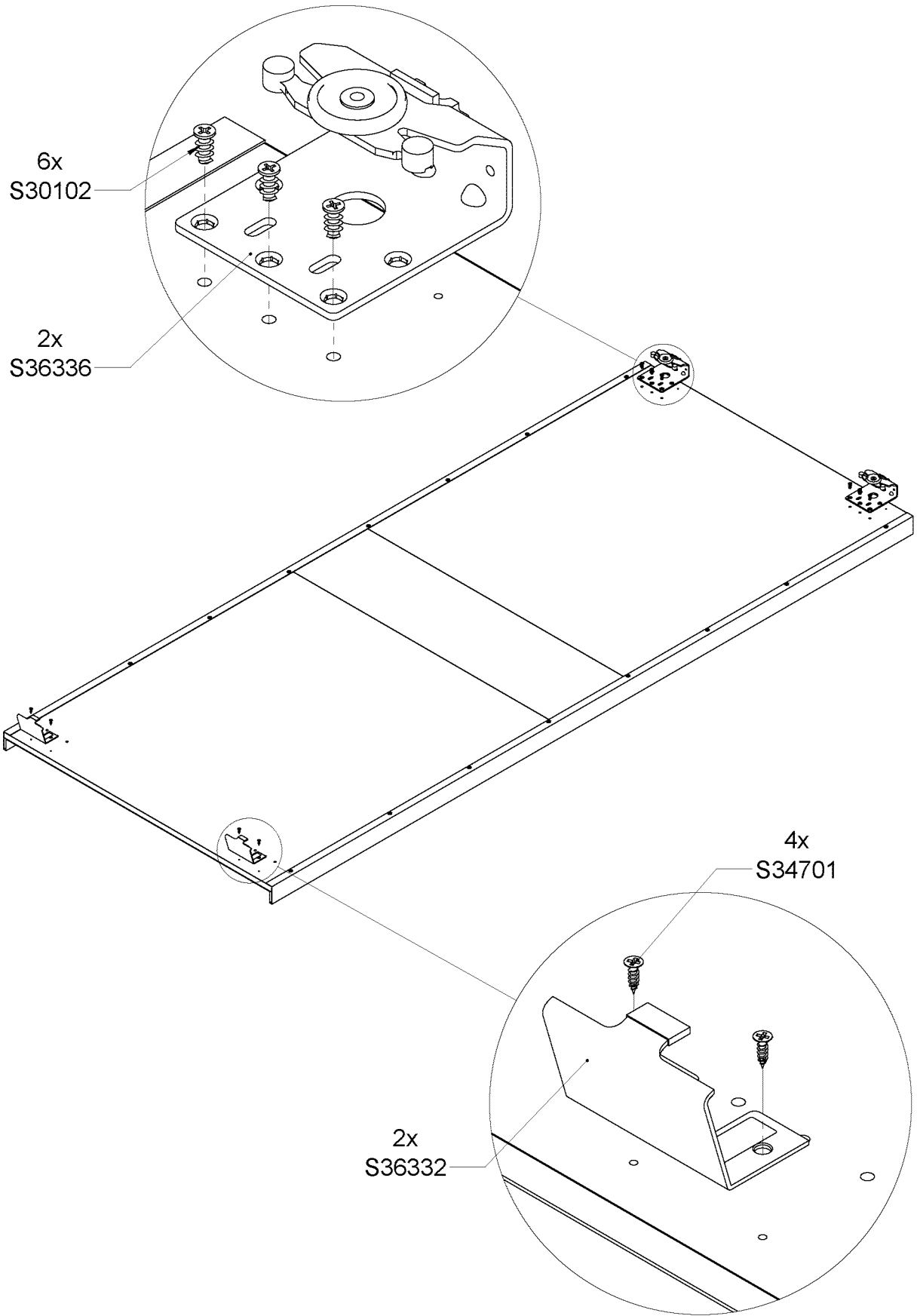
1x
S38424

4x
S31298-14

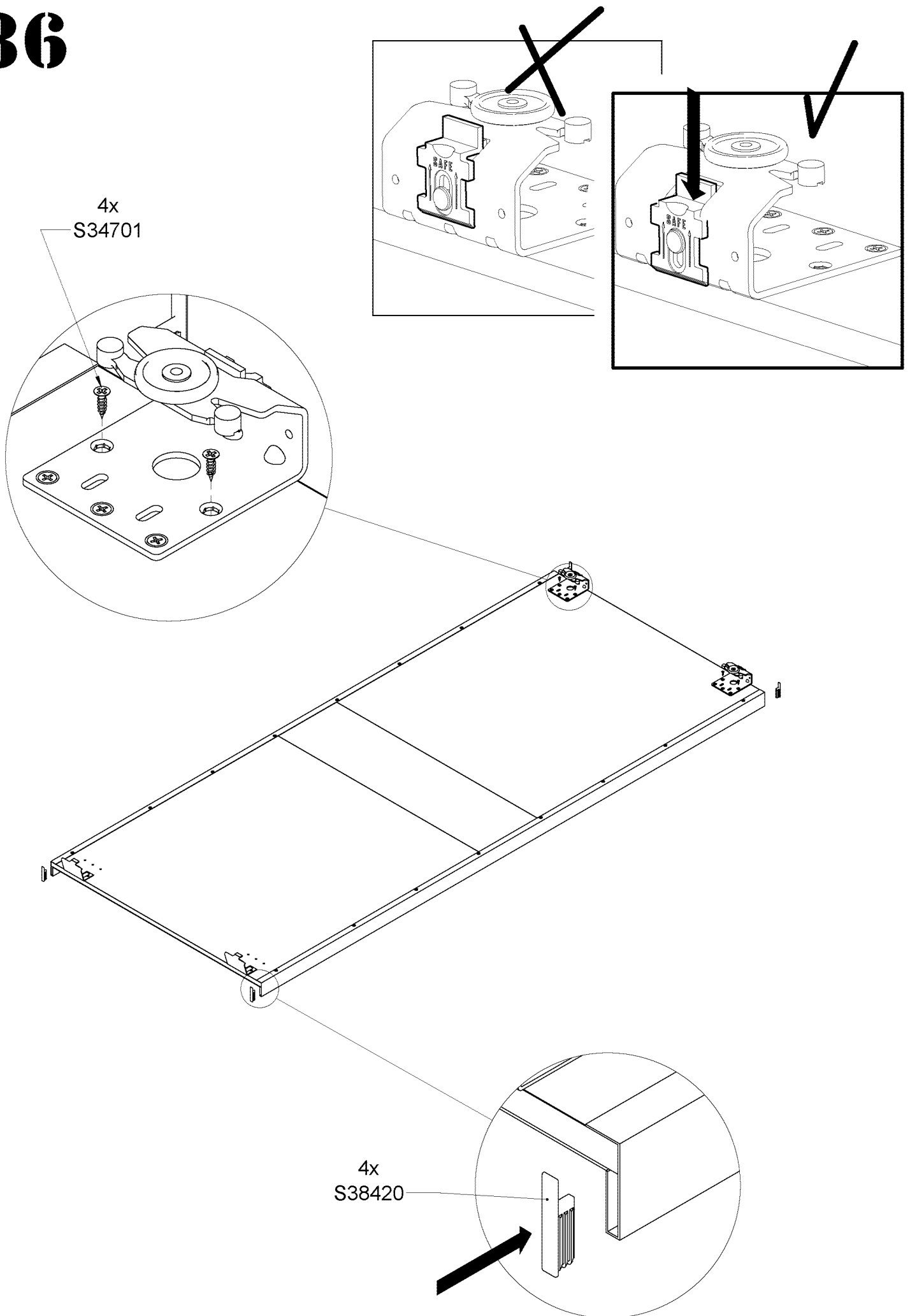
1x
S38424







36



37

