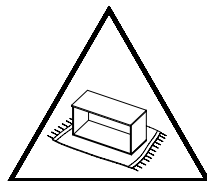
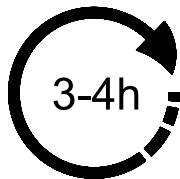
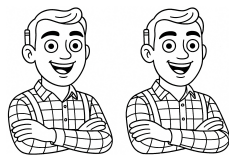
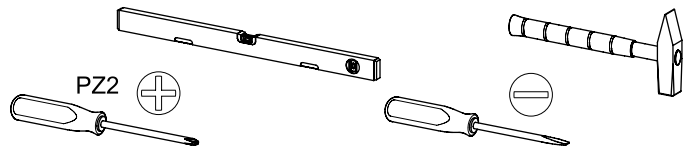
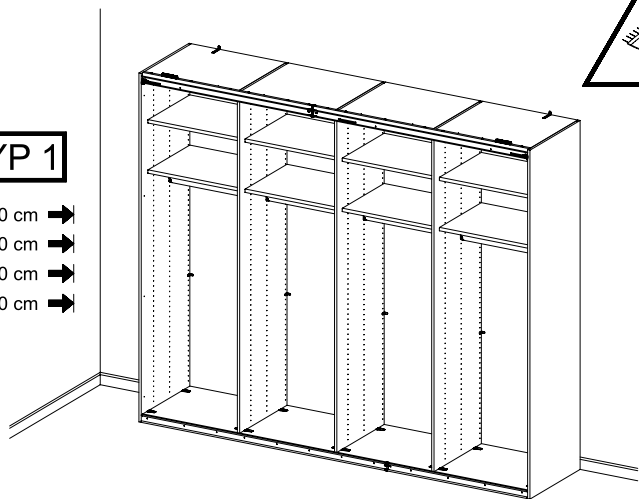


MD145_08



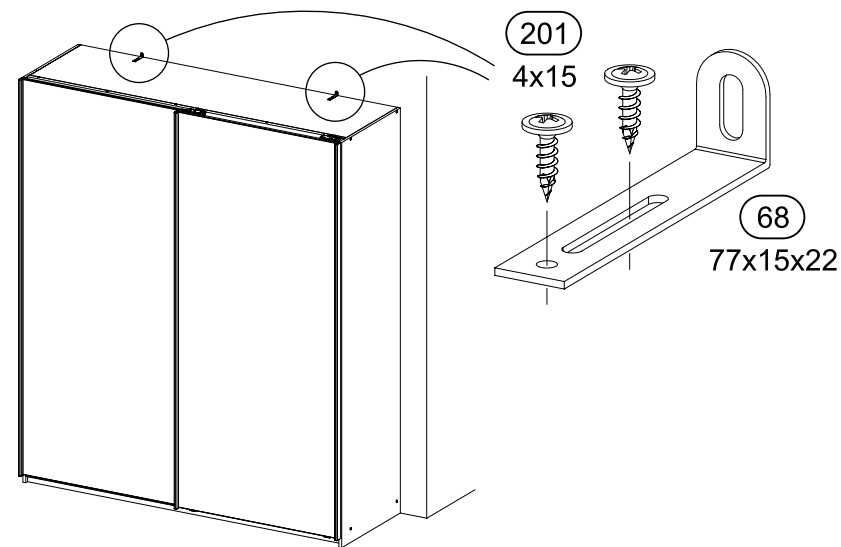
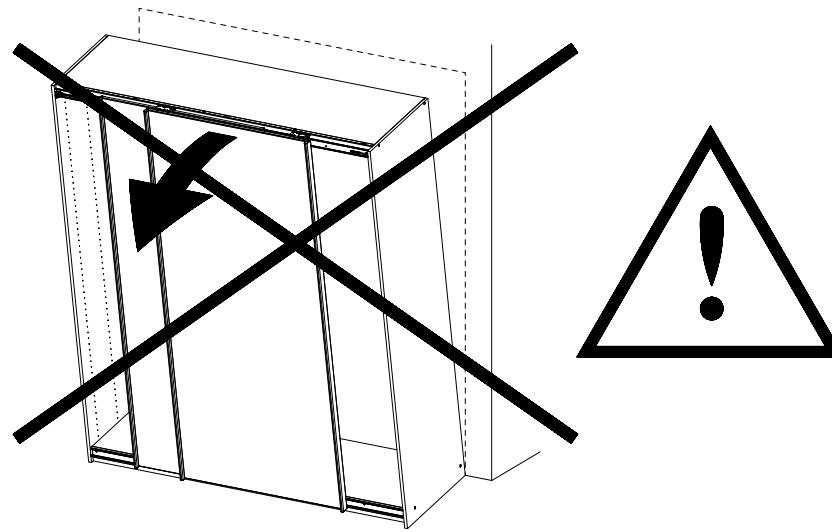
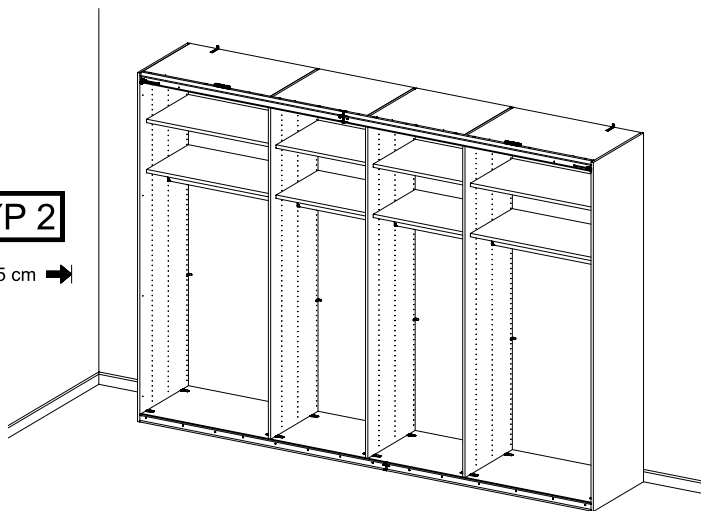
TYP 1

- ← 270 cm →
- ← 320 cm →
- ← 360 cm →
- ← 400 cm →



TYP 2

- ← 315 cm →



VIDEO



SCAN ME

TYP 1

← 270 cm →

← 320 cm →

← 360 cm →

← 400 cm →



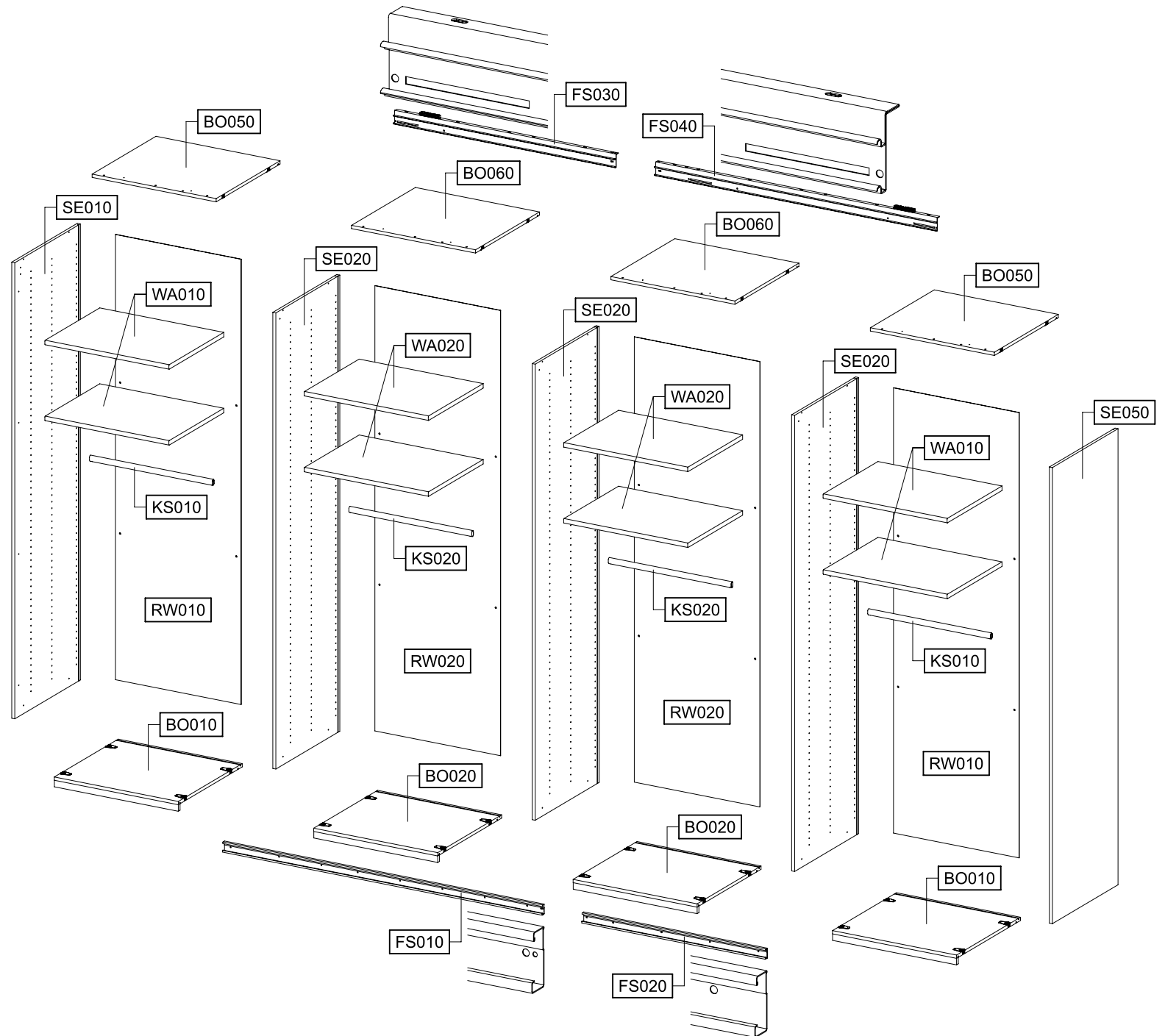
BO010 = BO020

BO050 = BO060

WA010 = WA020

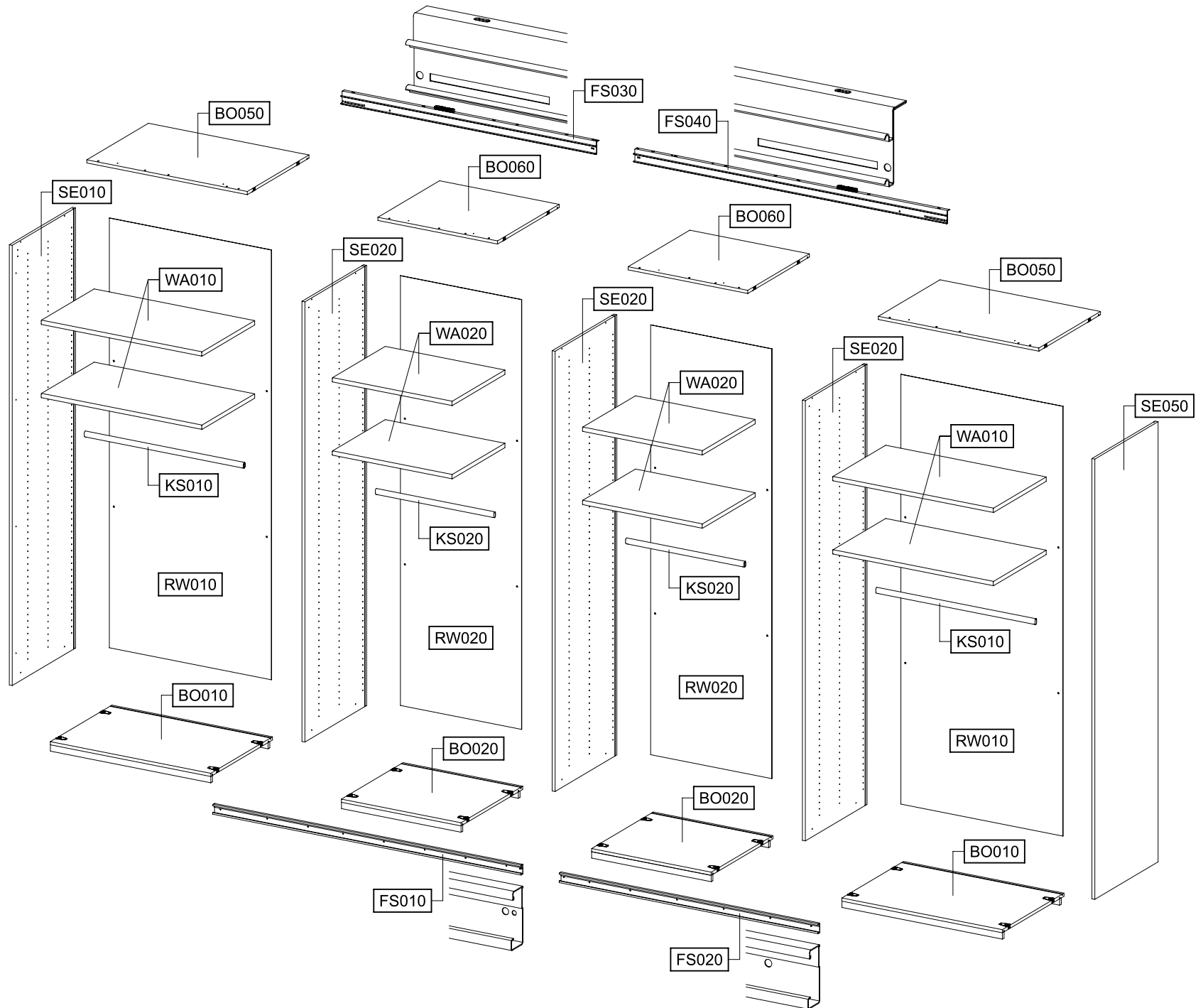
KS010 = KS020

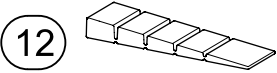
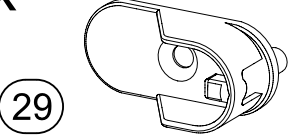
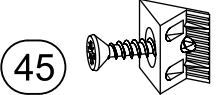
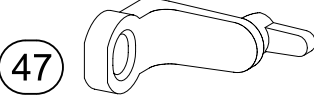
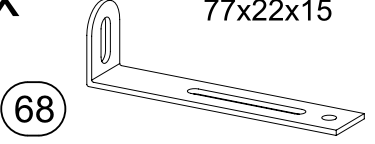
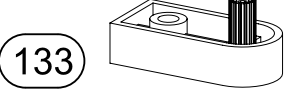
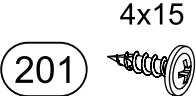
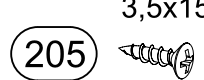


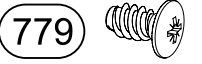

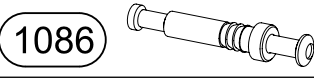

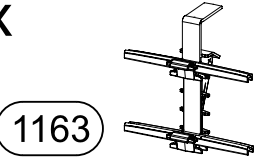
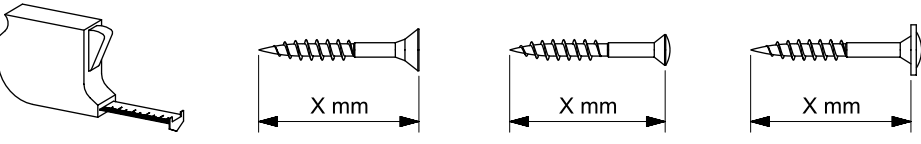
RW010 = RW020

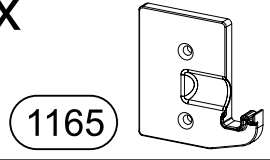
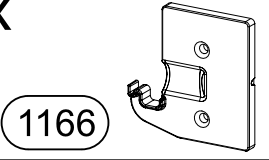
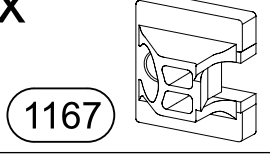
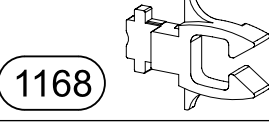
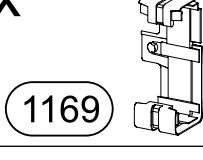
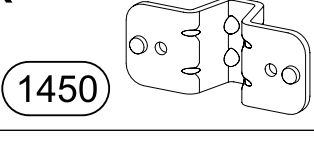
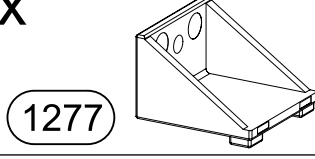

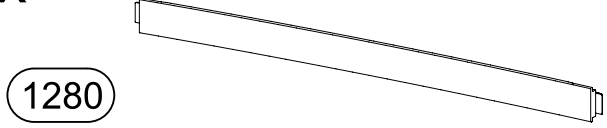


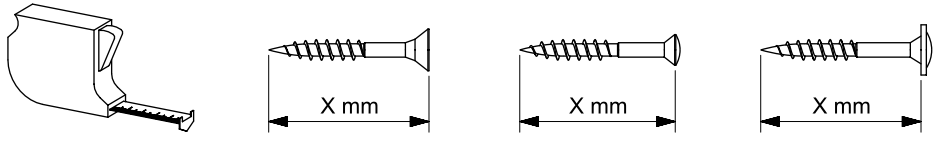


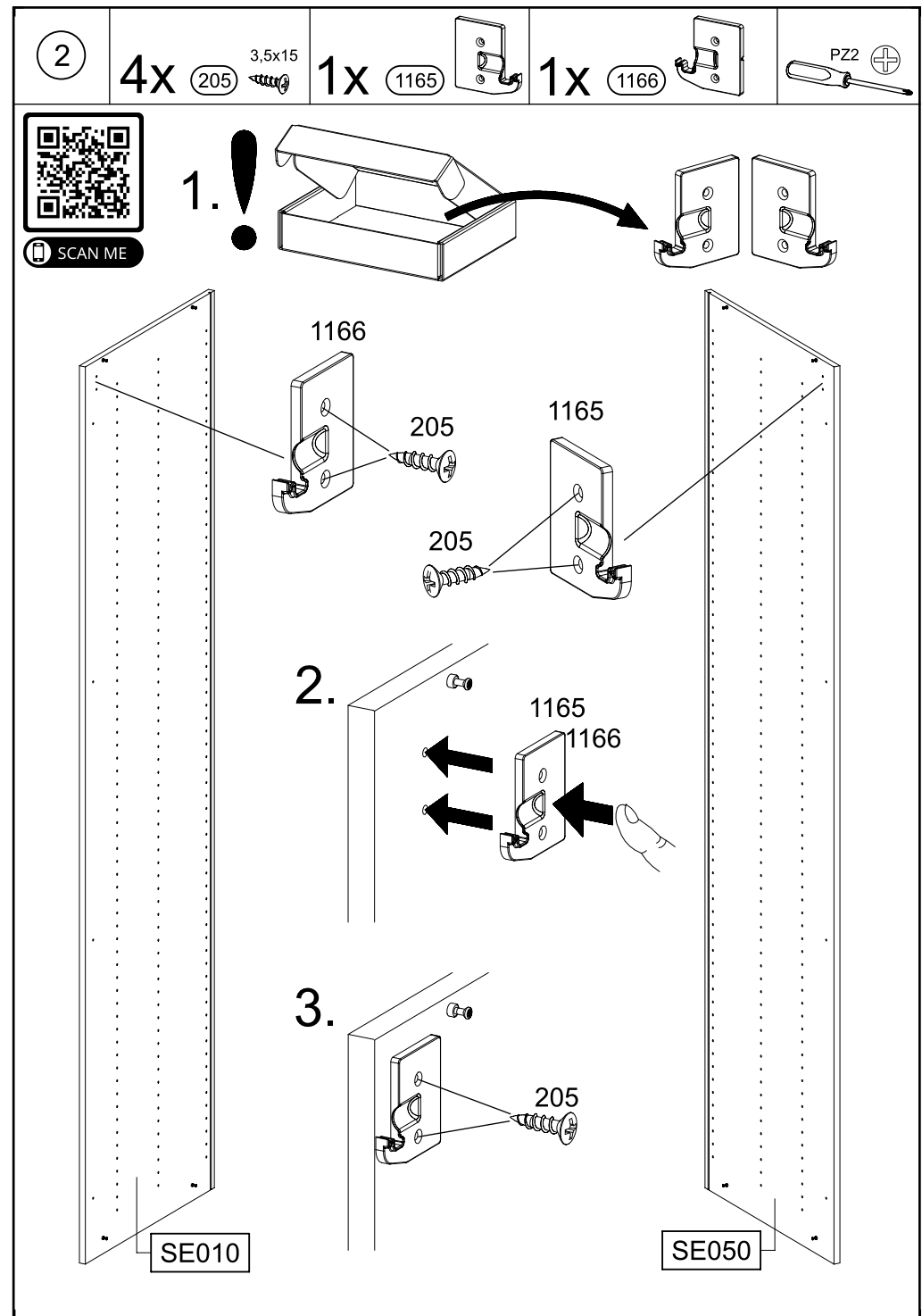
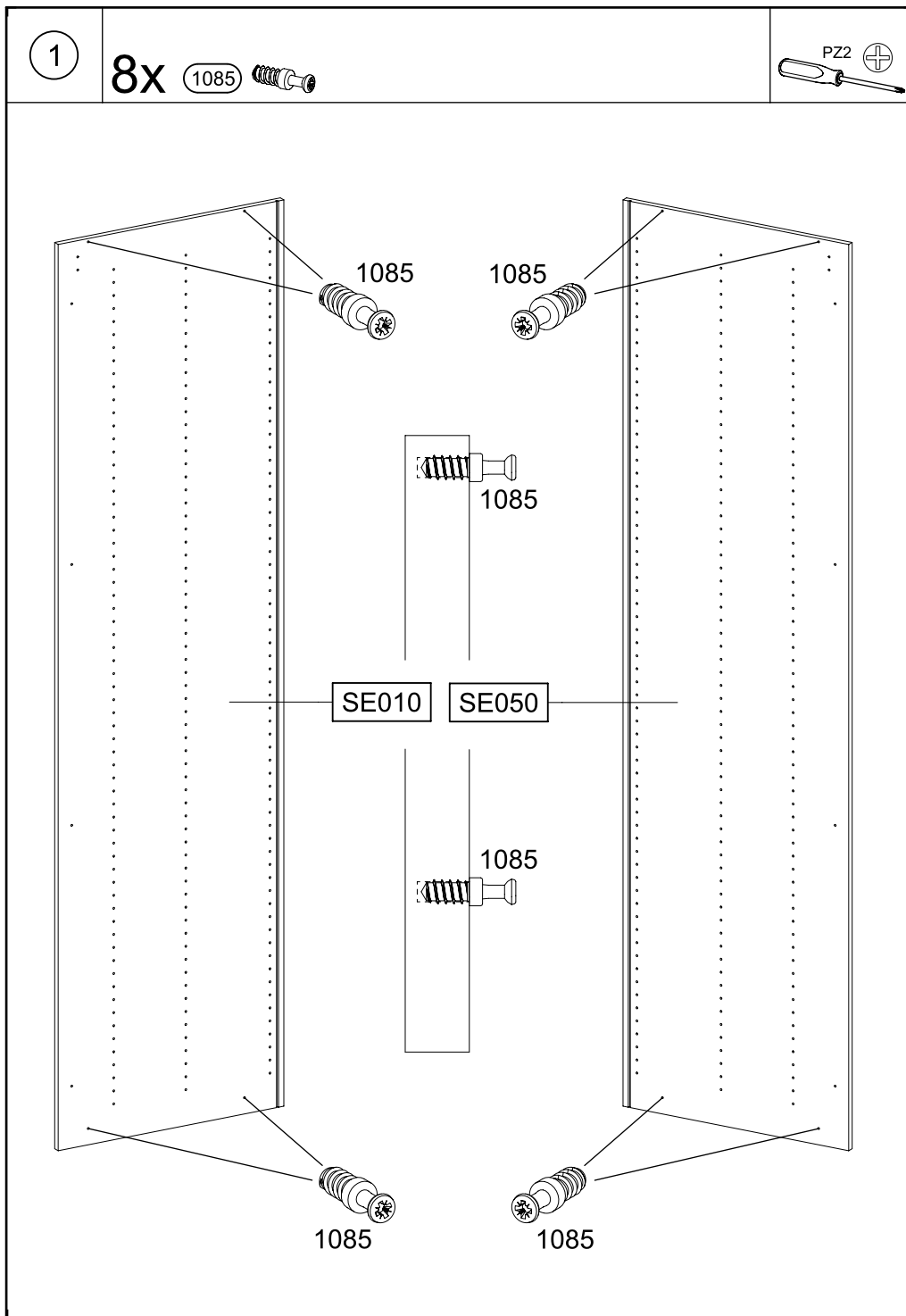
TYP 2

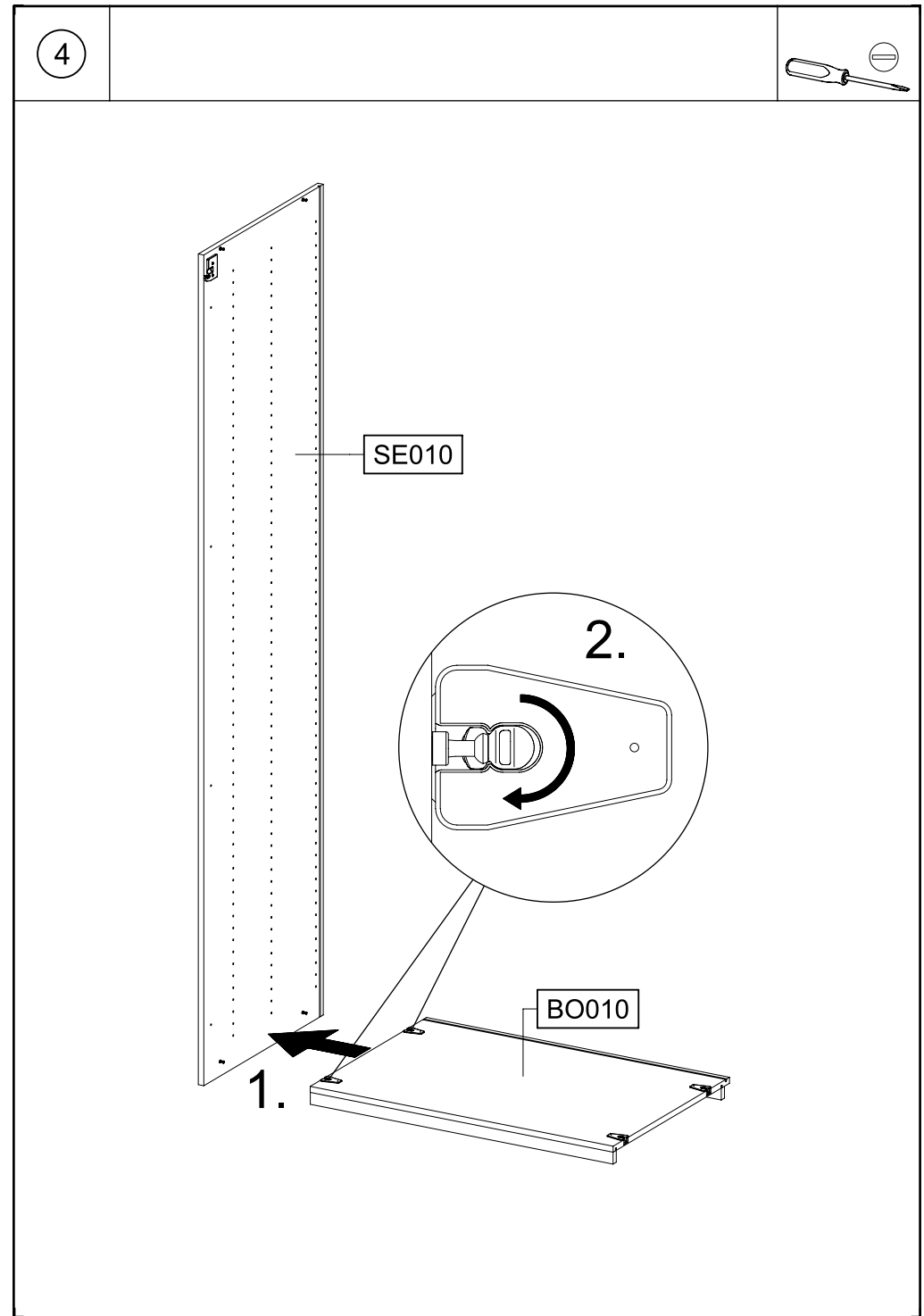
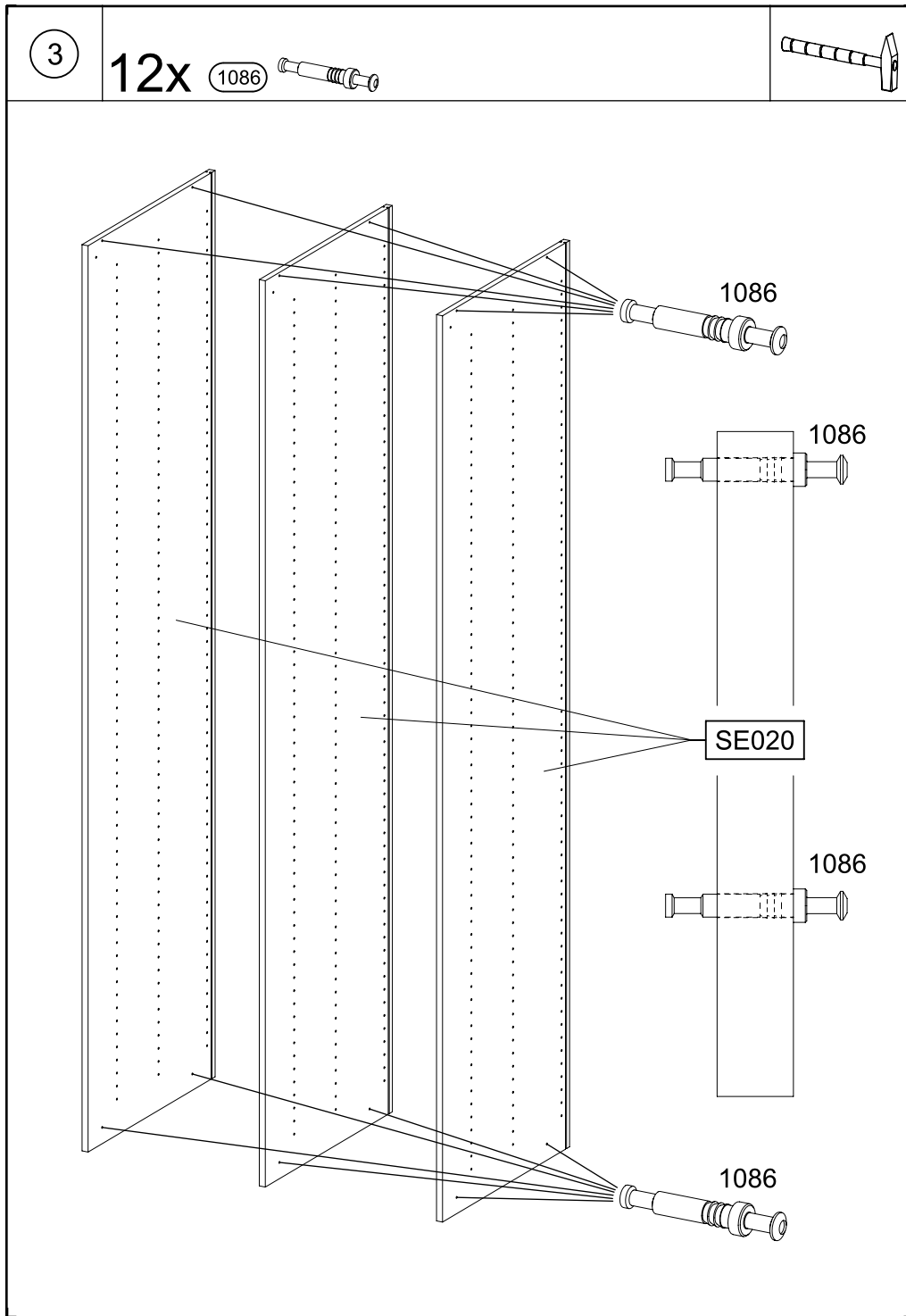
← 315 cm →

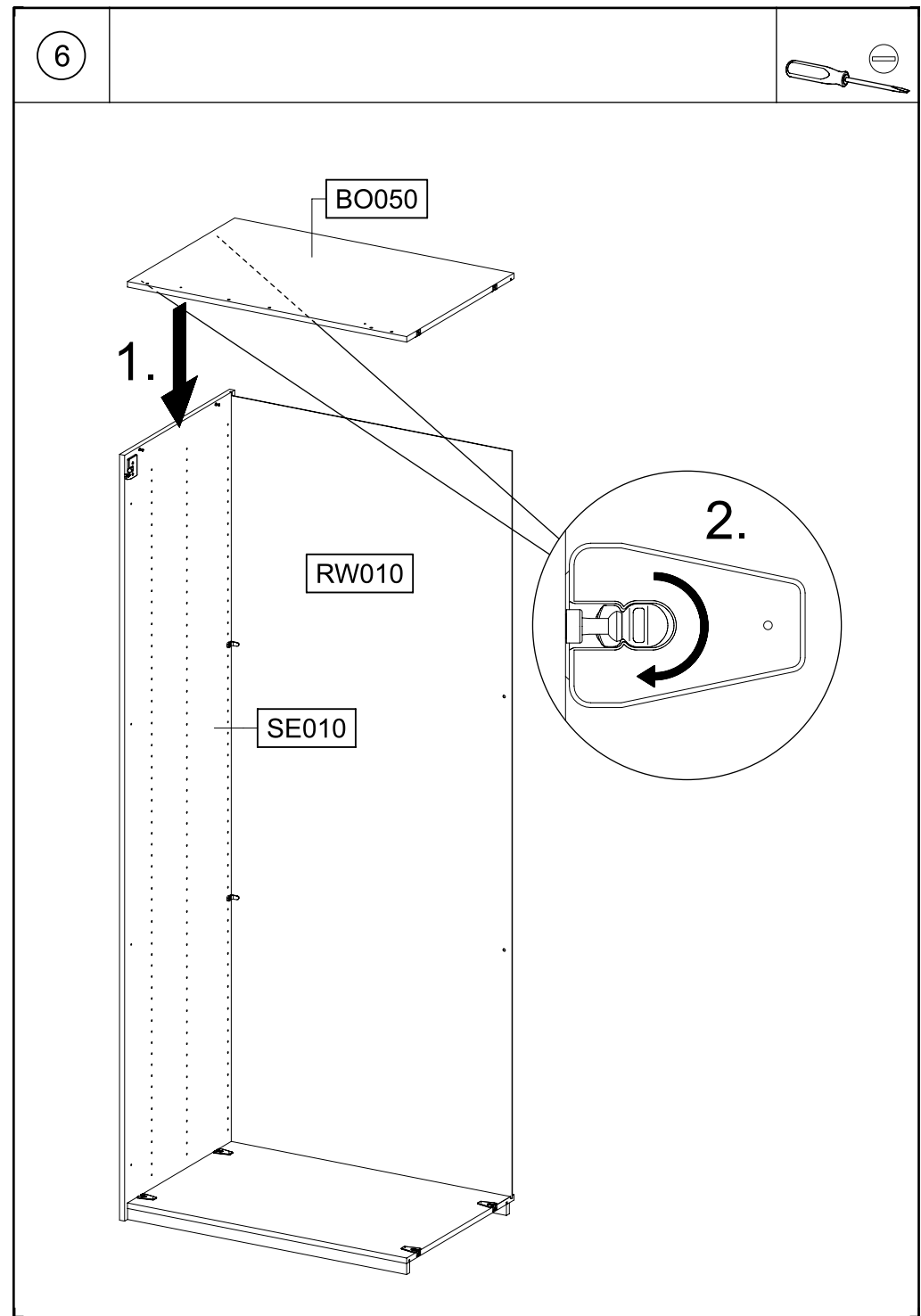
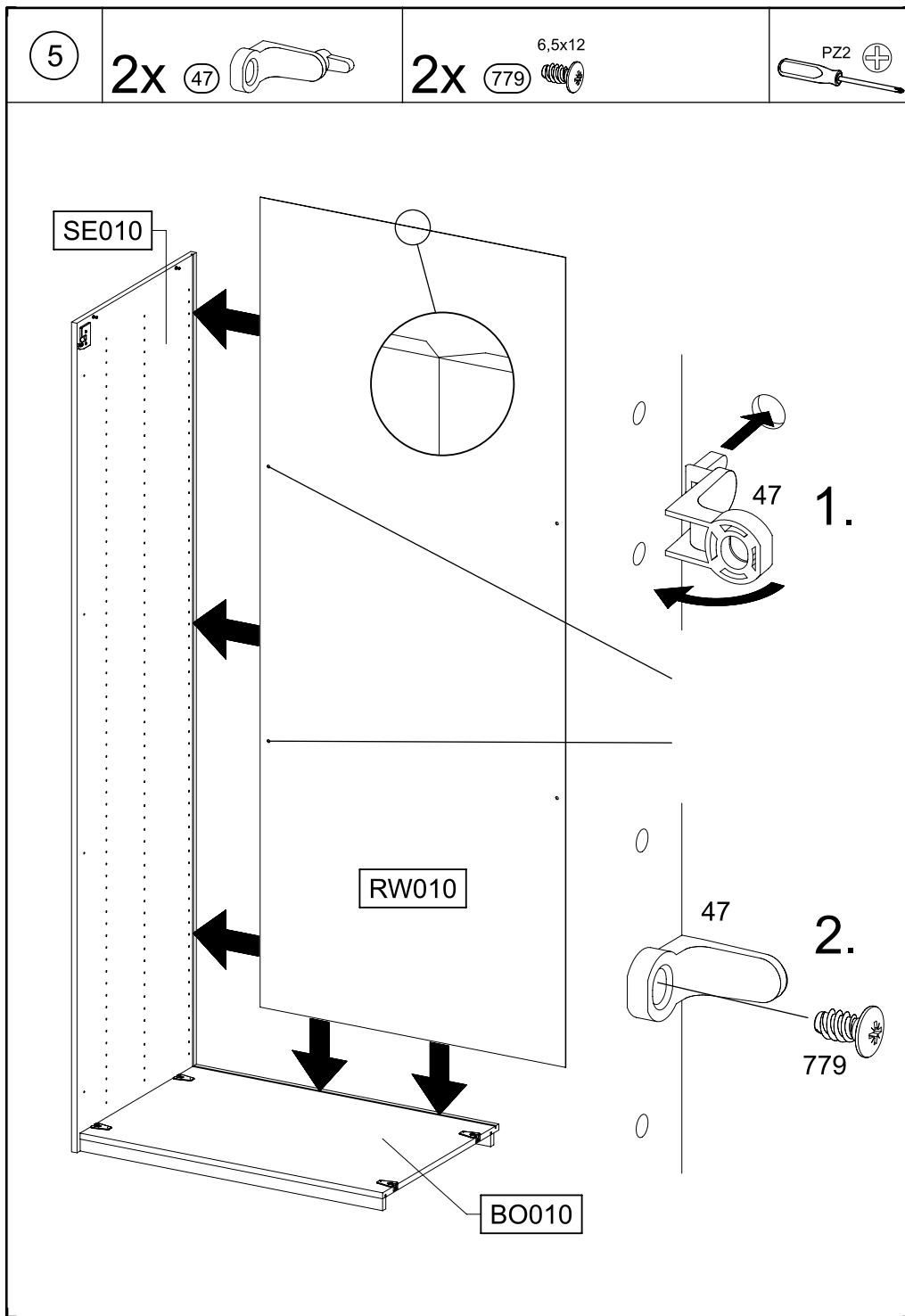


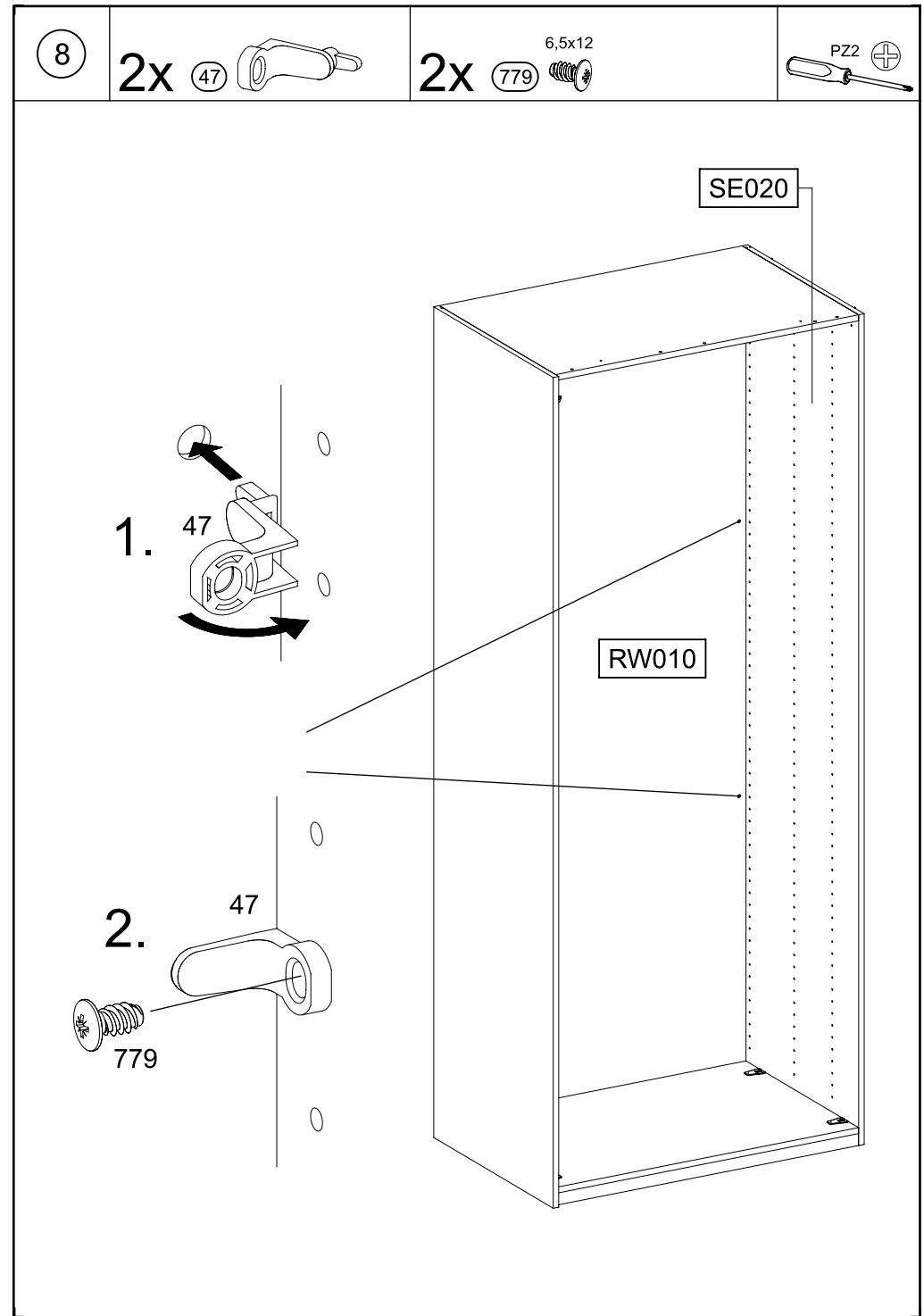
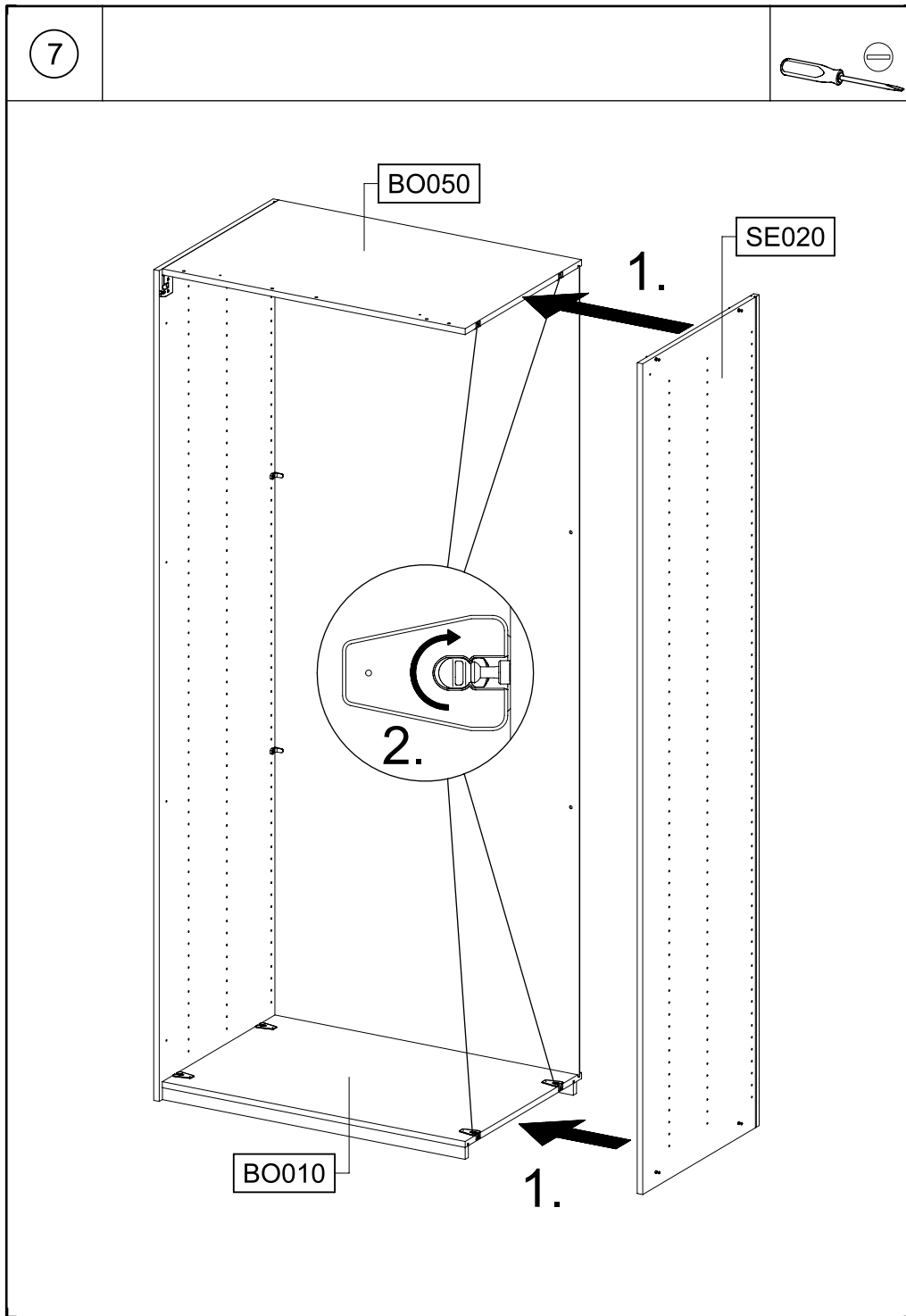
| | | | |
|---|---|--|--|
| 0-10x 55x16x6,2  | | 8x  | |
| 16x  | | 16x  | |
| 2x 77x22x15  | | 1x 31,8x15x8  | |
| 4x  | 27-29x  | 13x M4x12  | |
| 13x M4  | | 16x 6,5x12  | |
| 8x  | | 12x  | |
| 32x  | | 1x  | |
|  | | | |

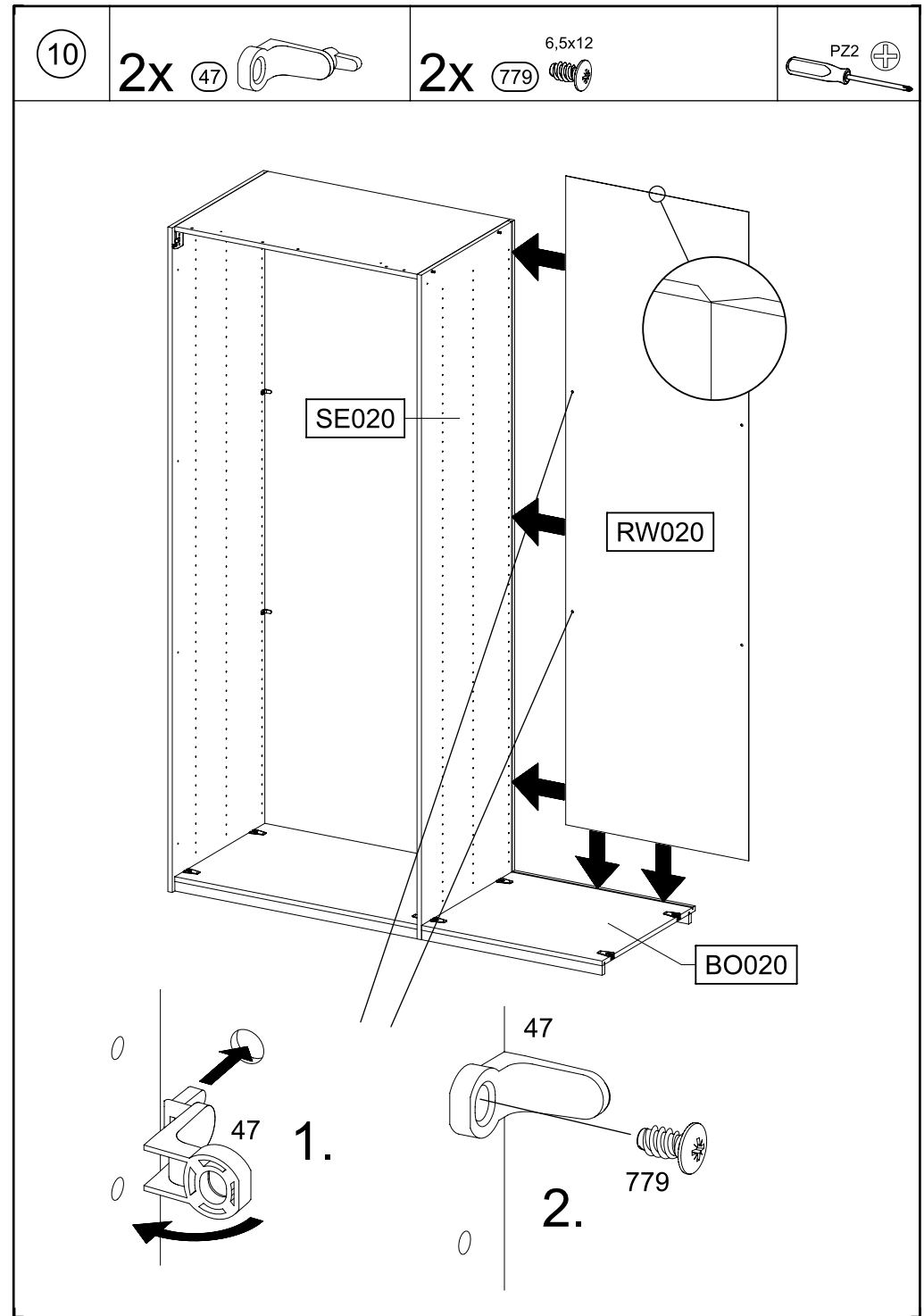
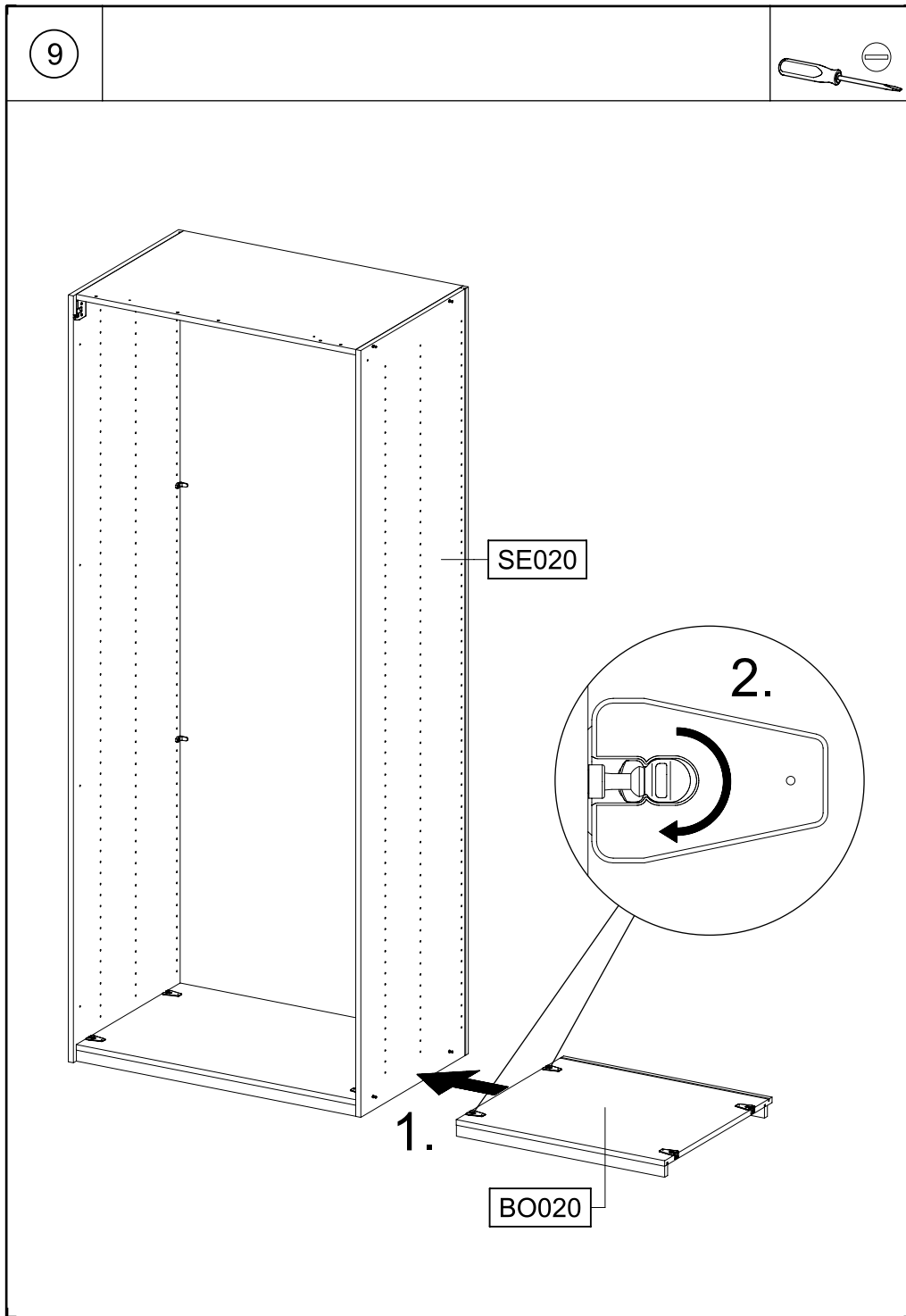
| | |
|---|--|
| 1x  | 1x  |
| 2x  | 2x  |
| 1x  | 1x  |
| 2x  | 2x M5x12  |
| 2x  | 2x M5  |
| 2x M5x8  | |
|  | |



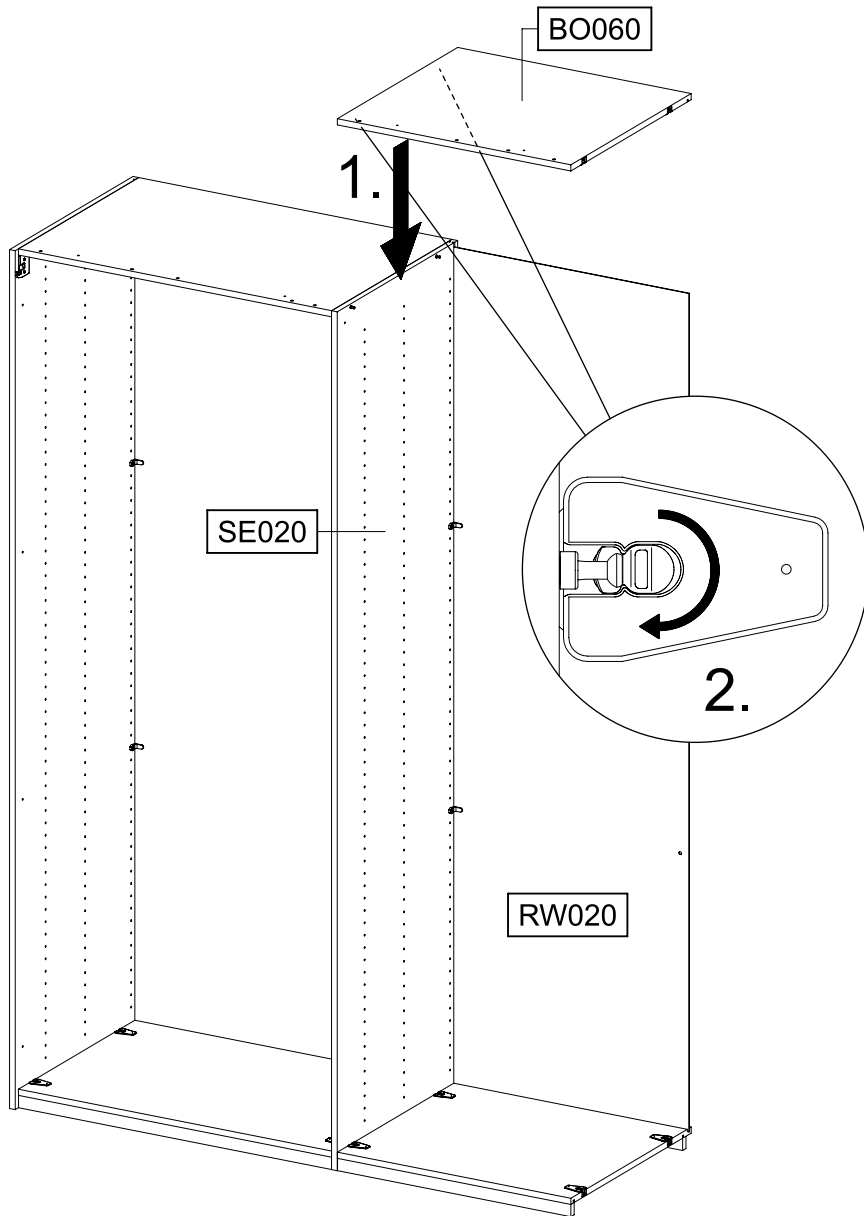
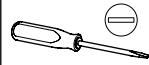




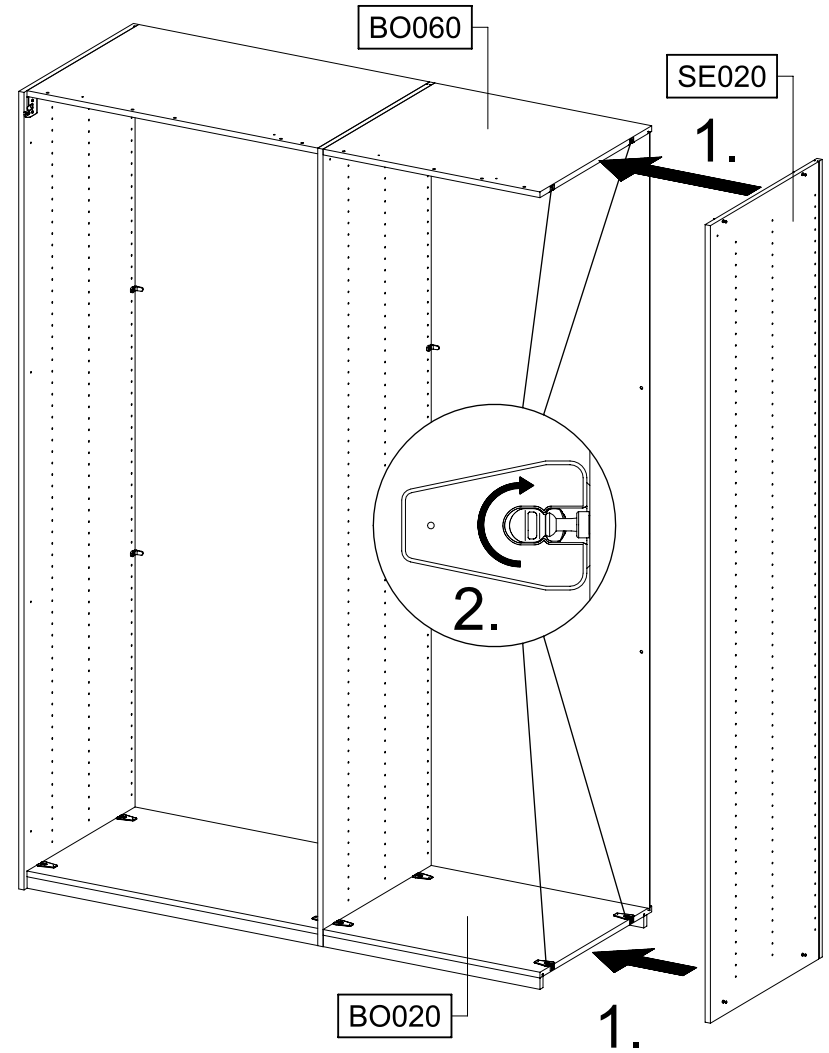
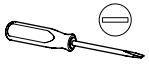




11



12



13

2x

47



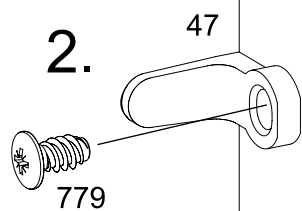
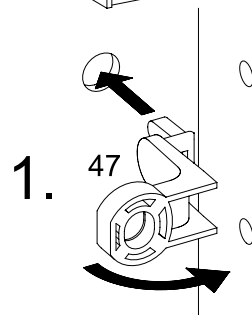
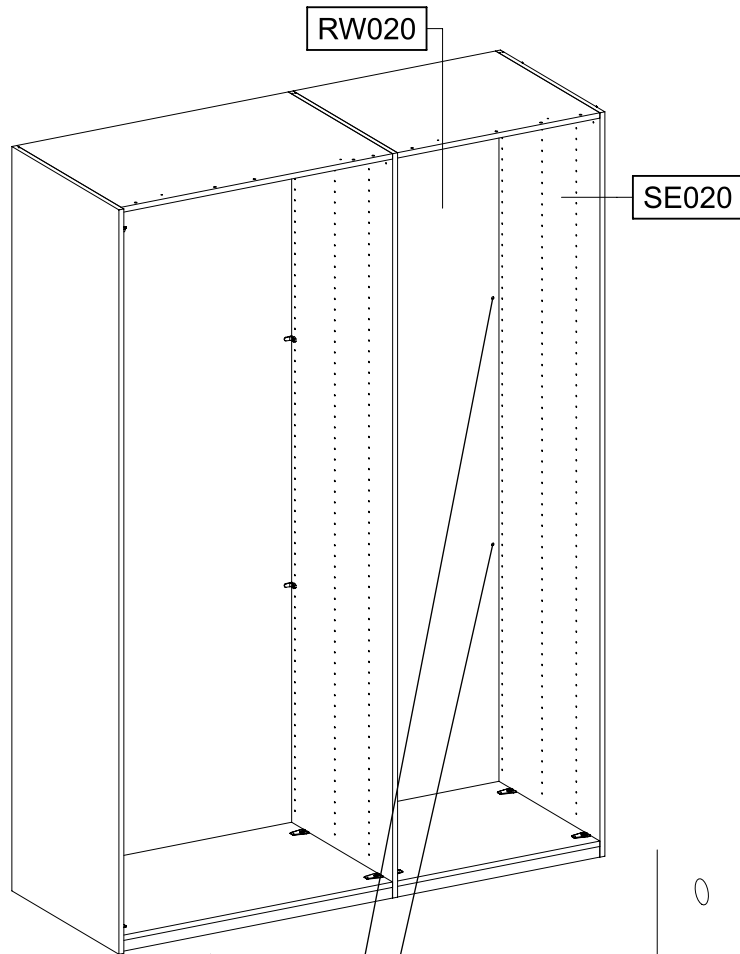
2x

779

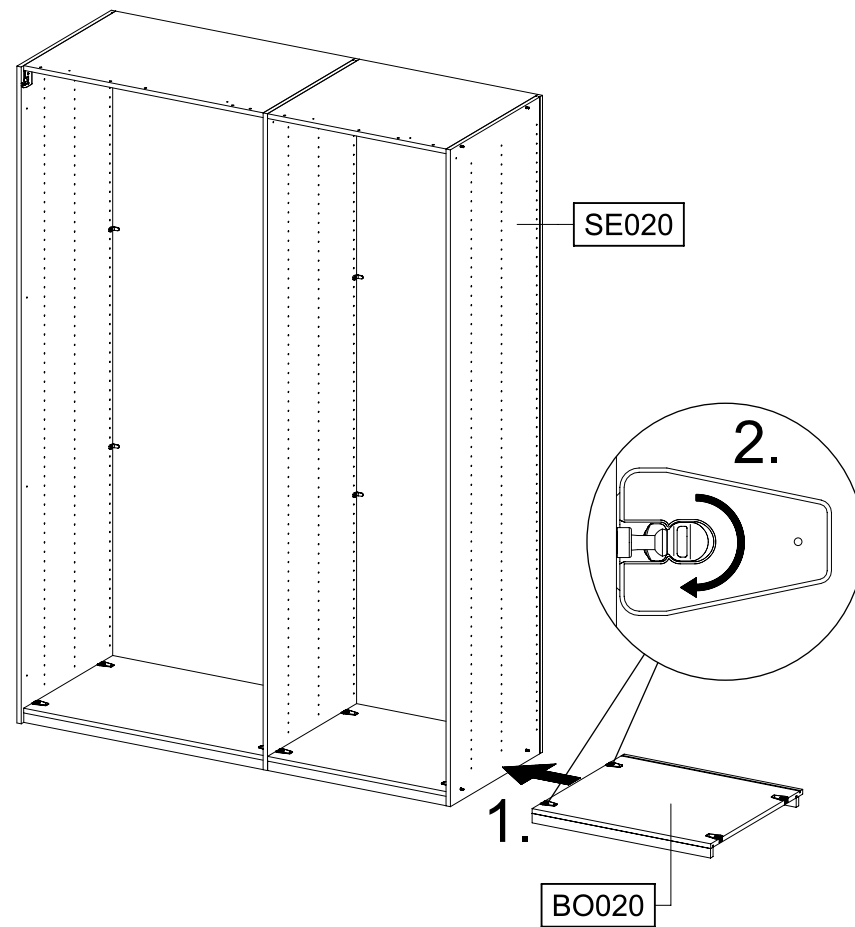
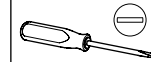
6,5x12



PZ2



14



15

2x

47



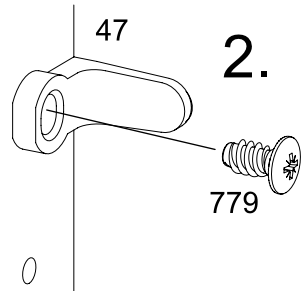
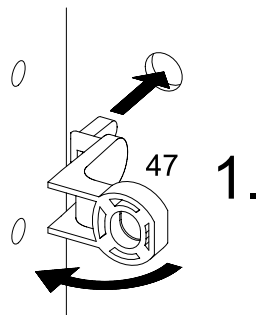
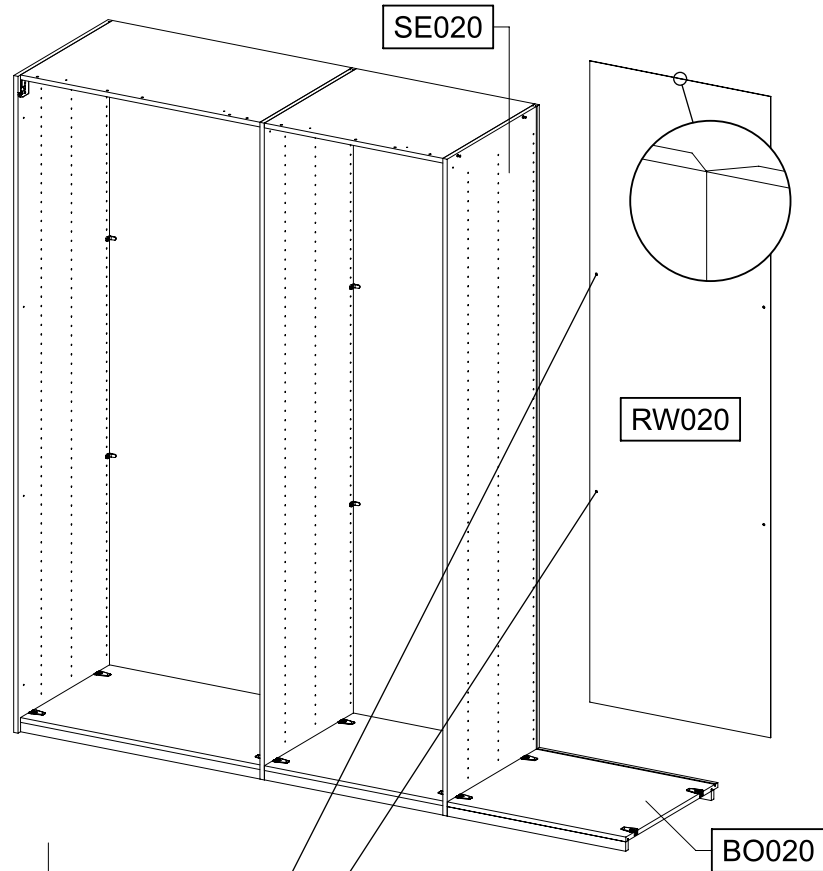
2x

779

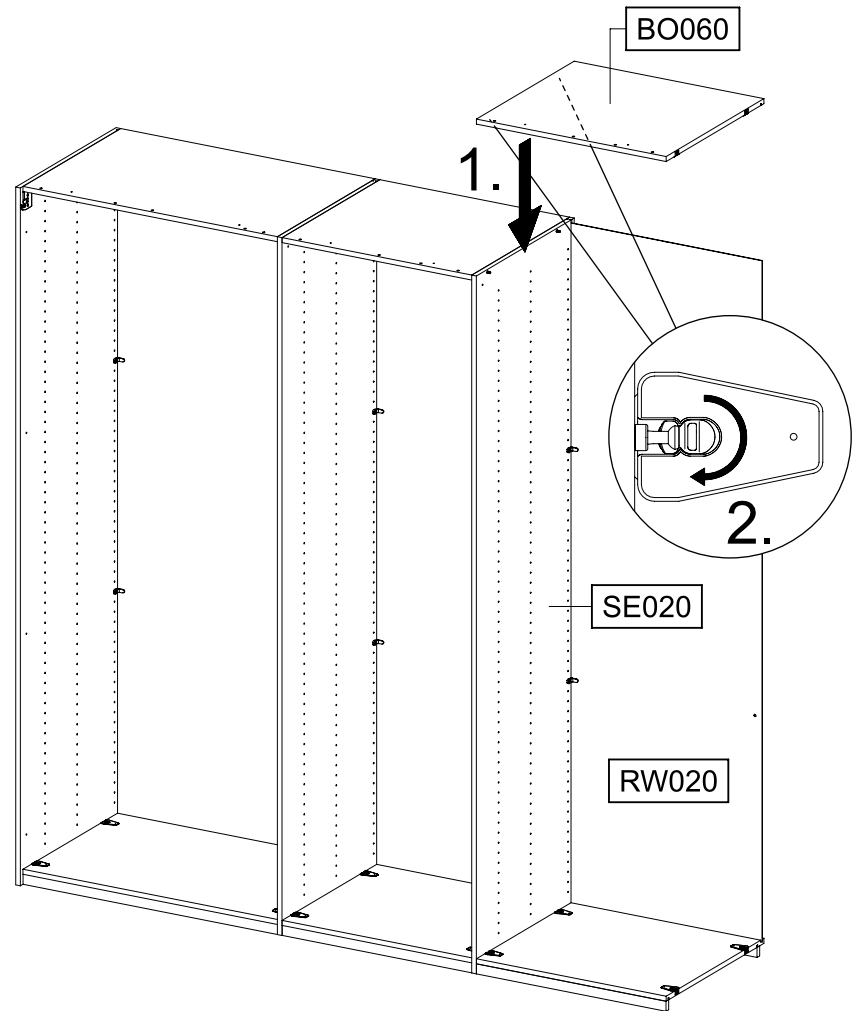
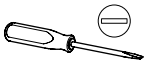
6,5x12



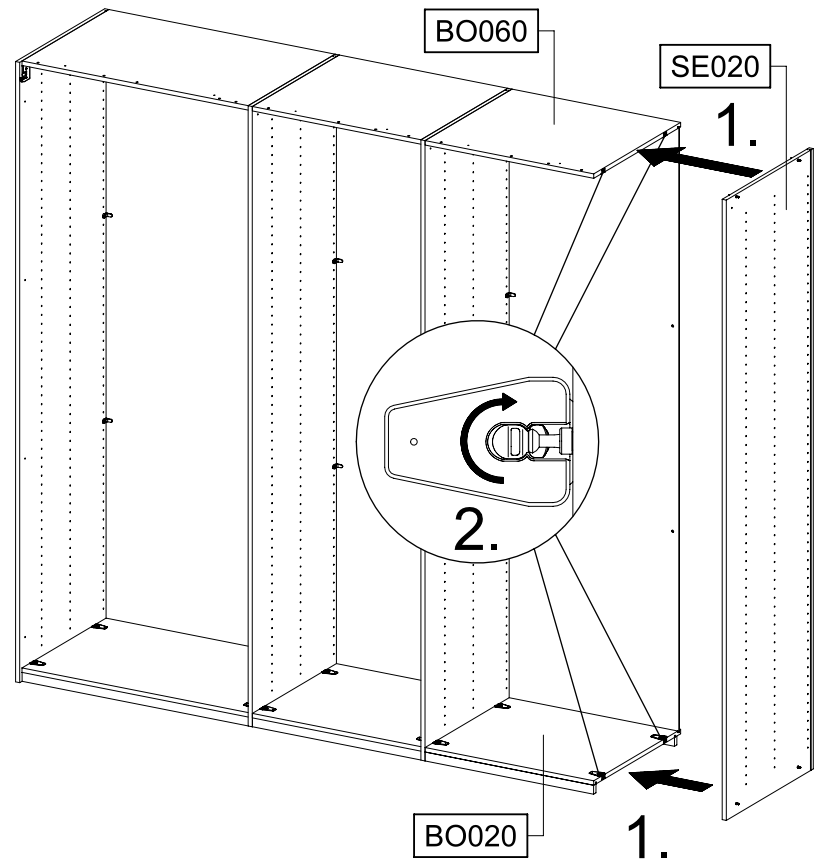
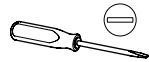
PZ2



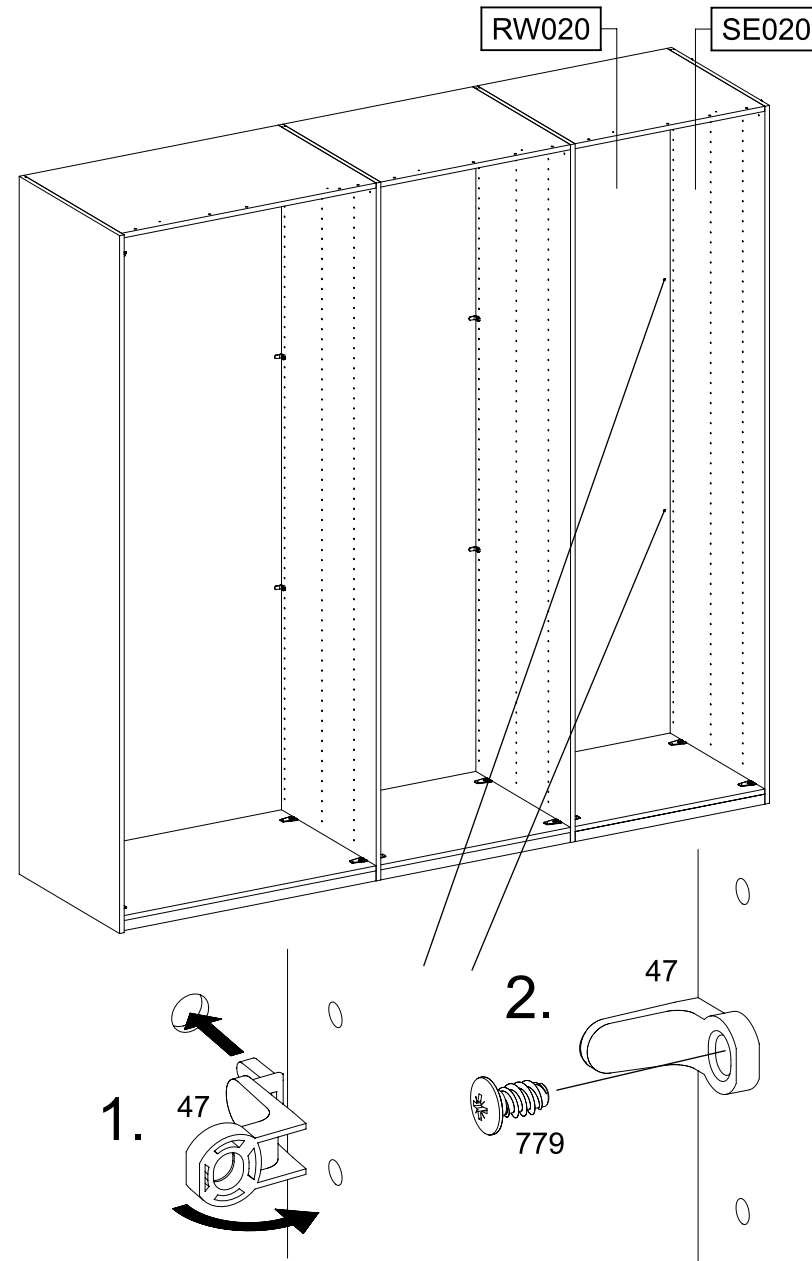
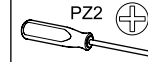
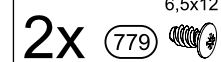
16



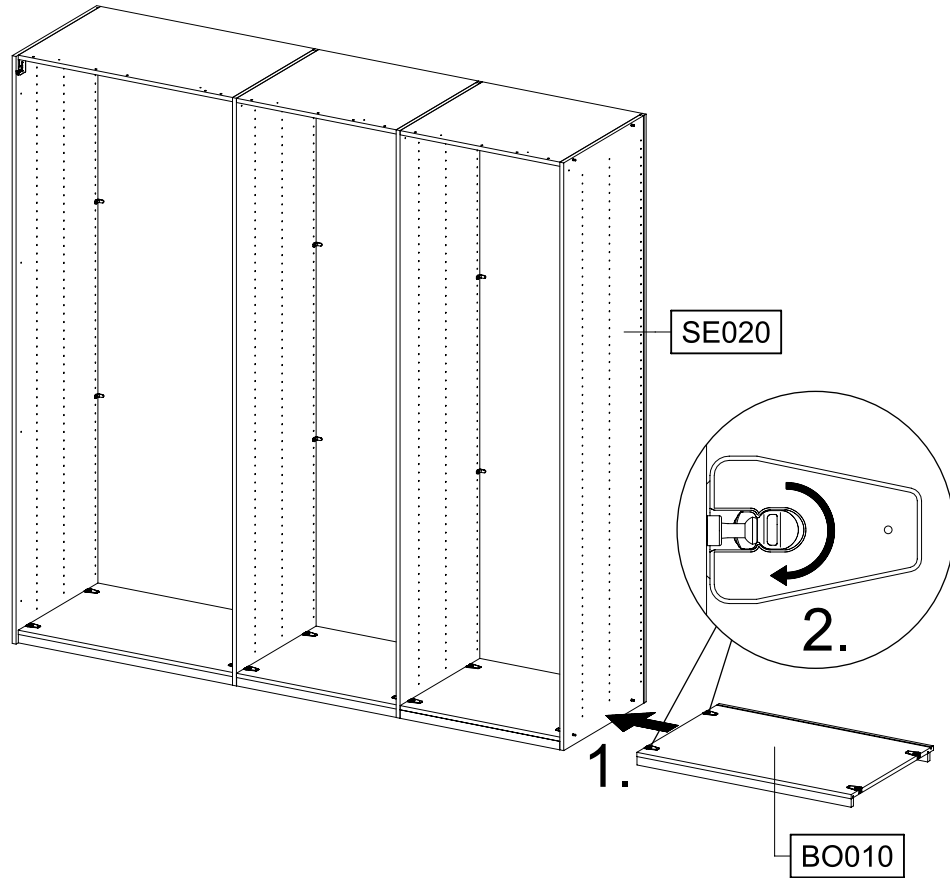
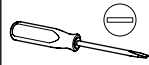
17



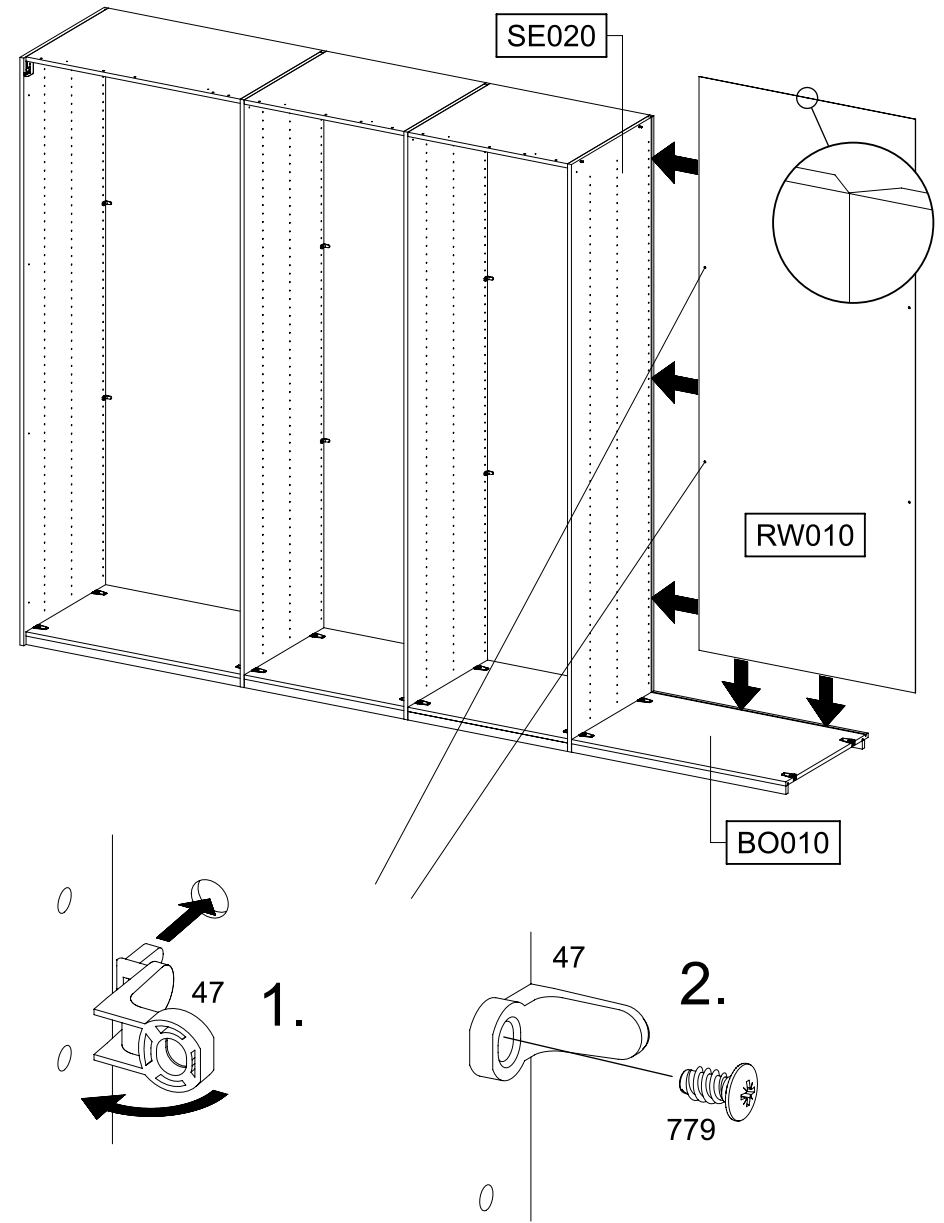
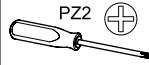
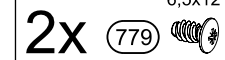
18



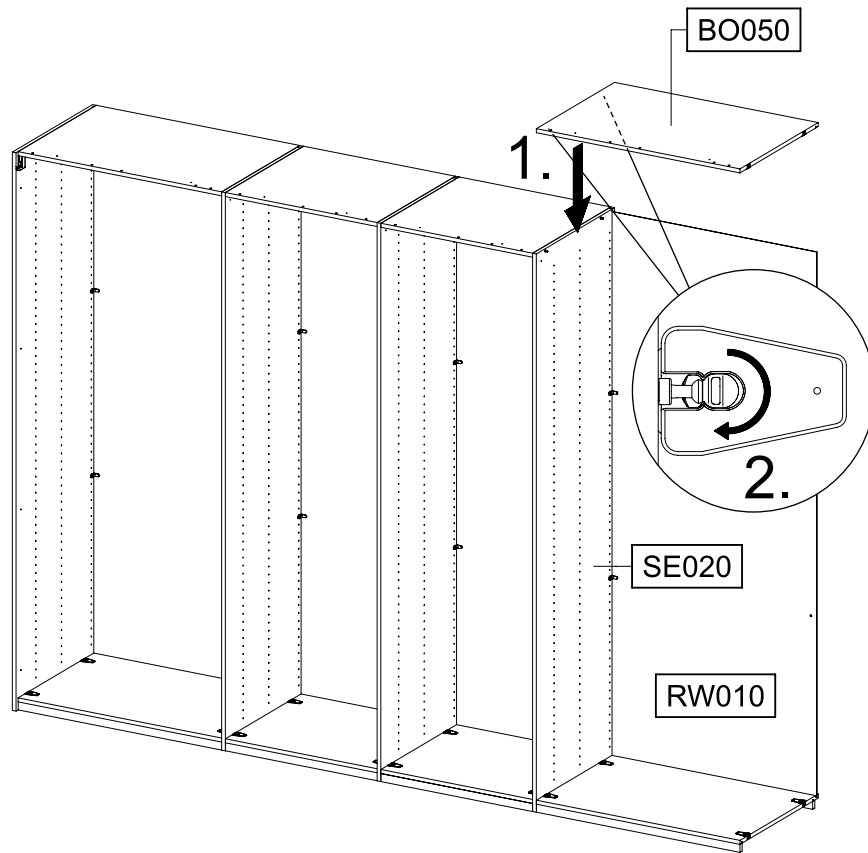
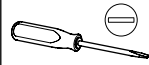
19



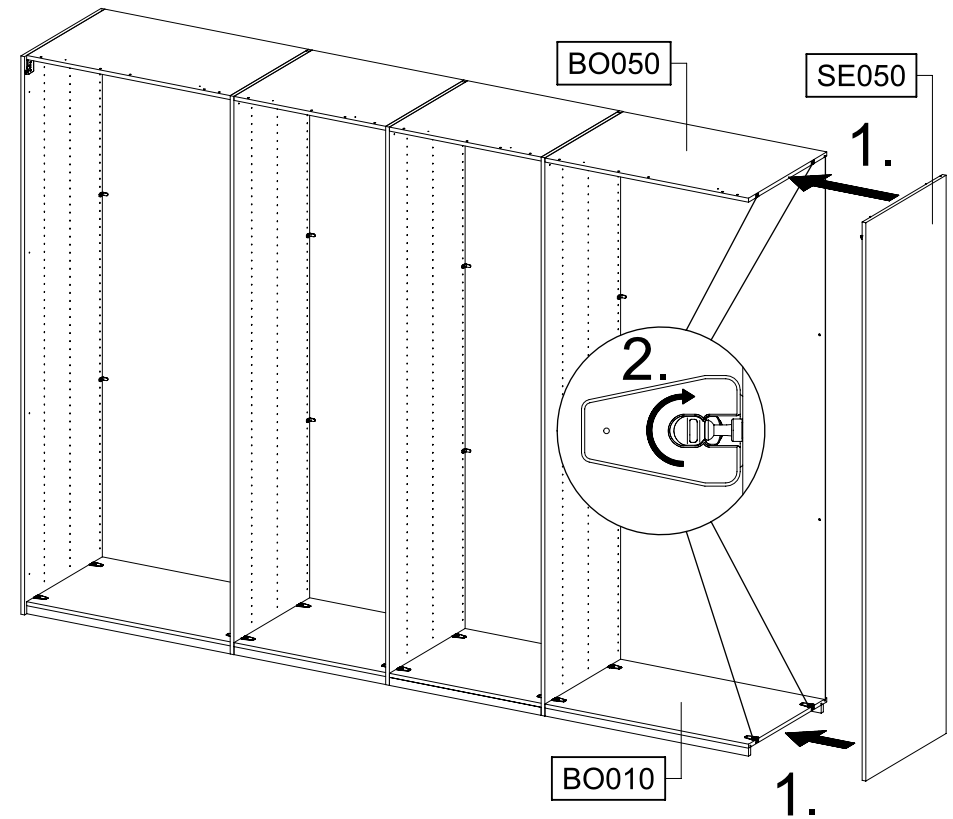
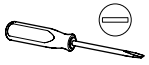
20



21



22



23

2x

47



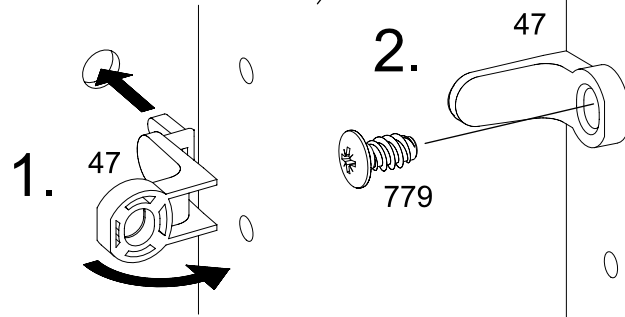
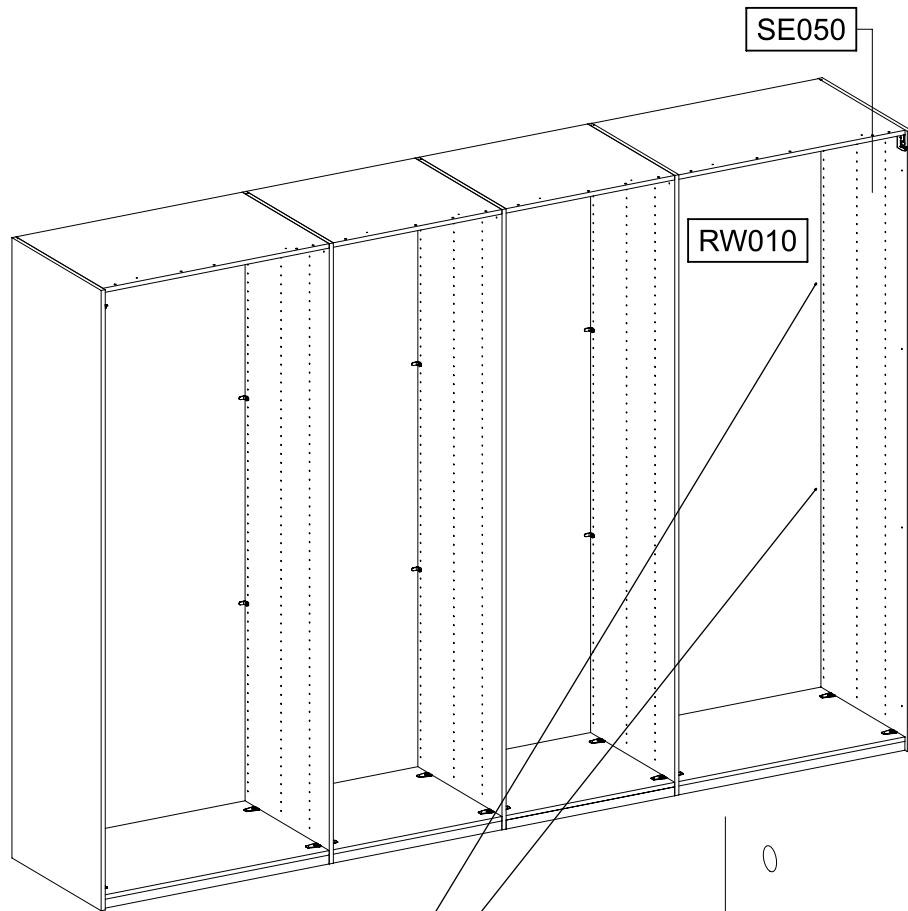
2x

779

6,5x12



PZ2

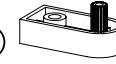


24

1x

133

31,8x15x8



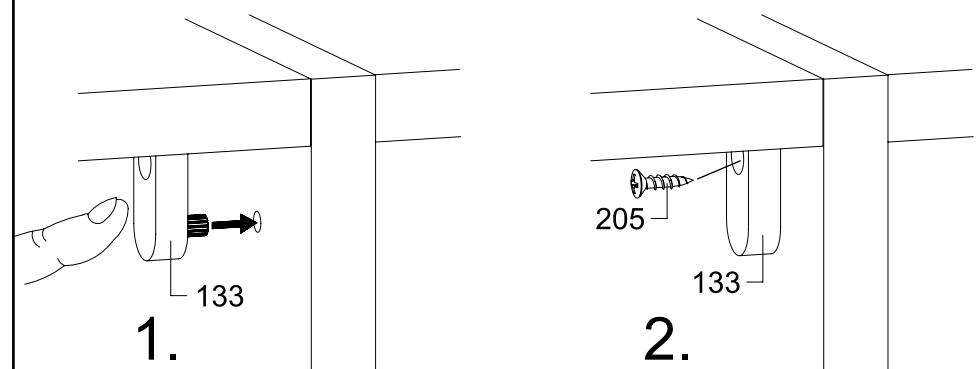
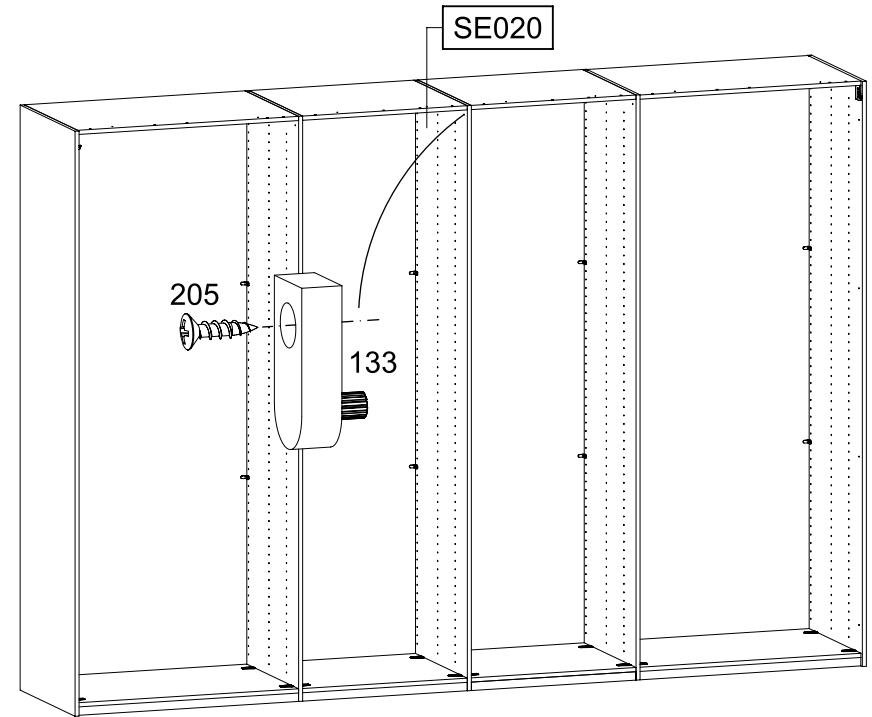
1x

205

3,5x15

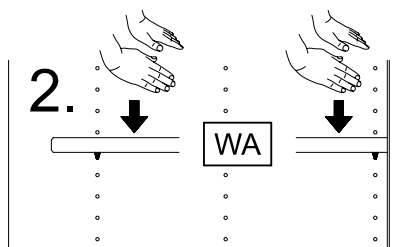
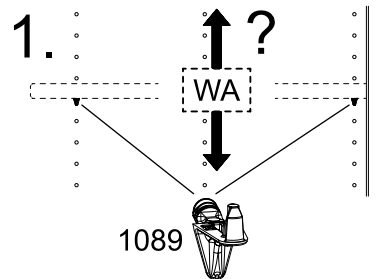
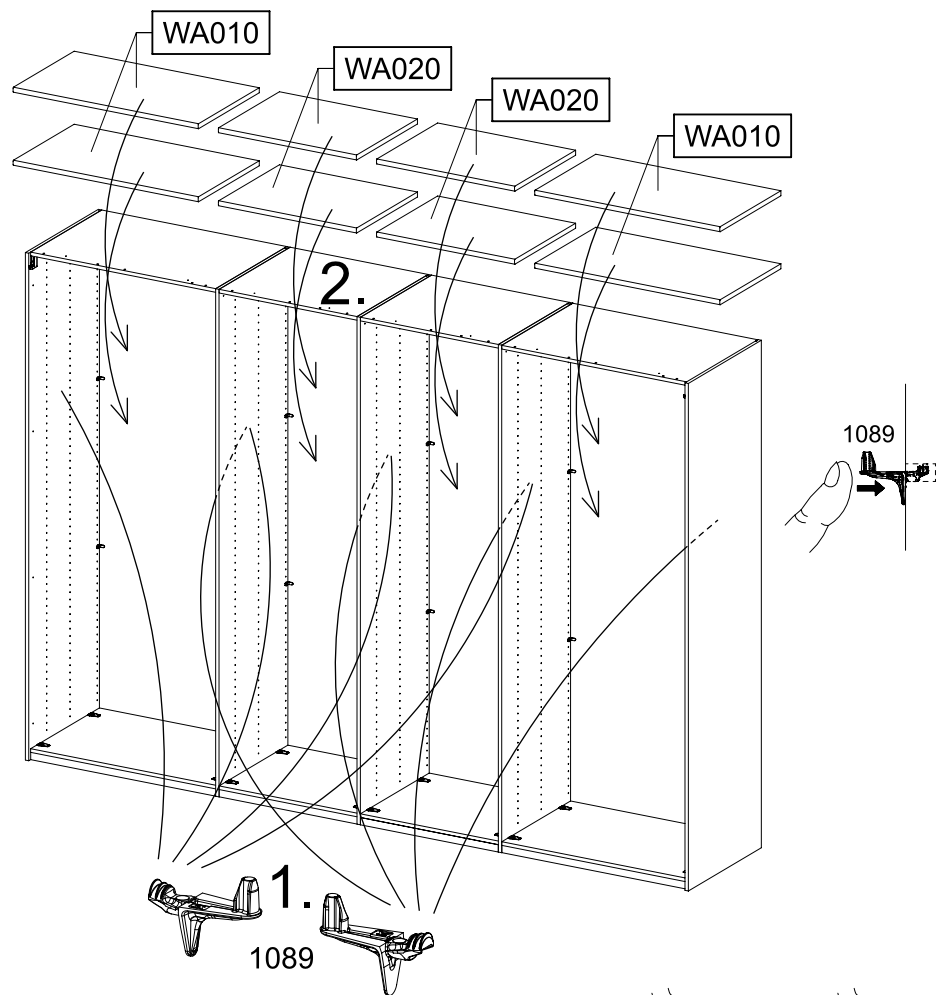


PZ2



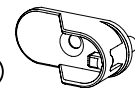
25

32x 1089

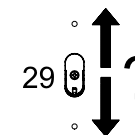
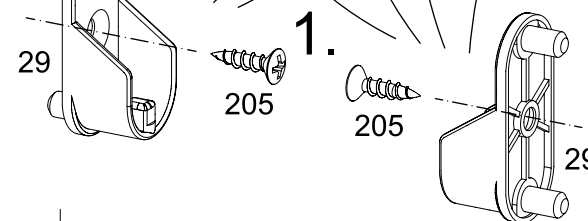
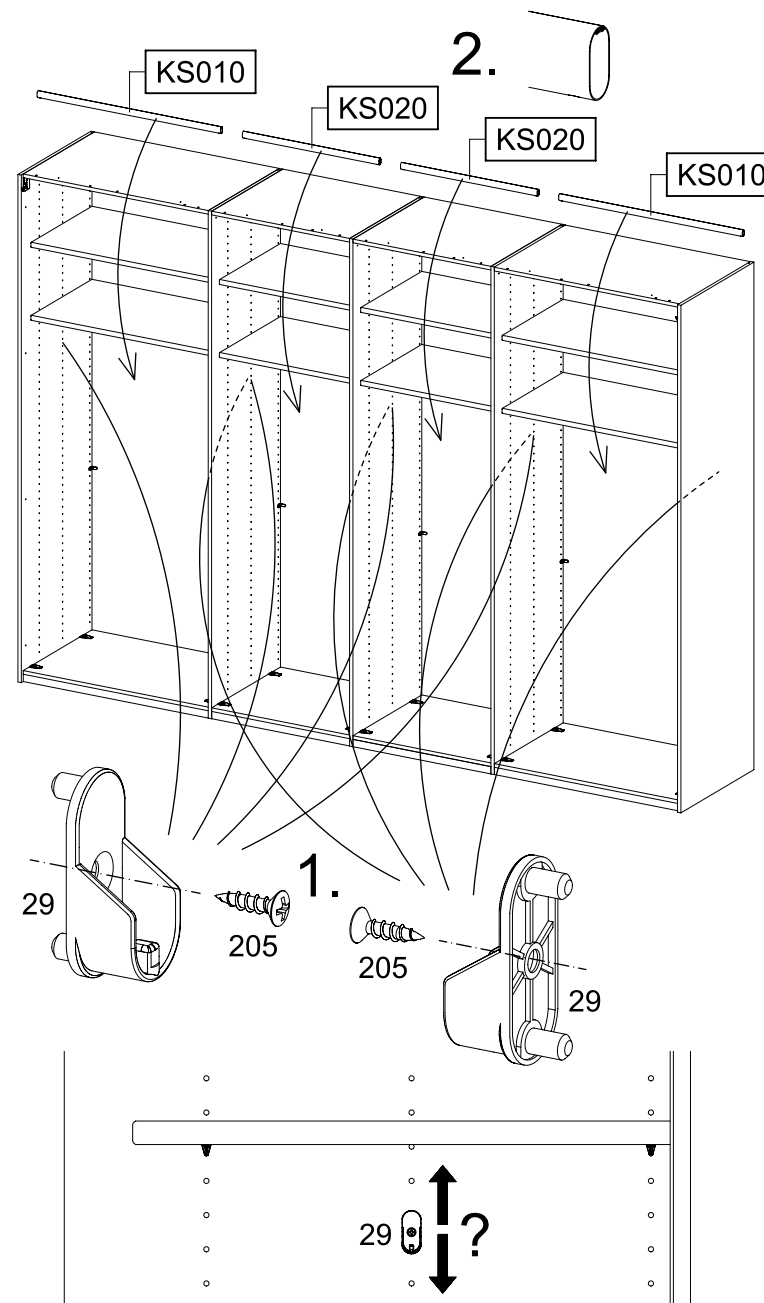
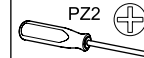


26

8x 29



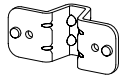
8x 205 3,5x15



27

1x

1450



2x

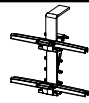
1449

M5x8

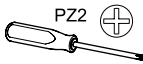


1x

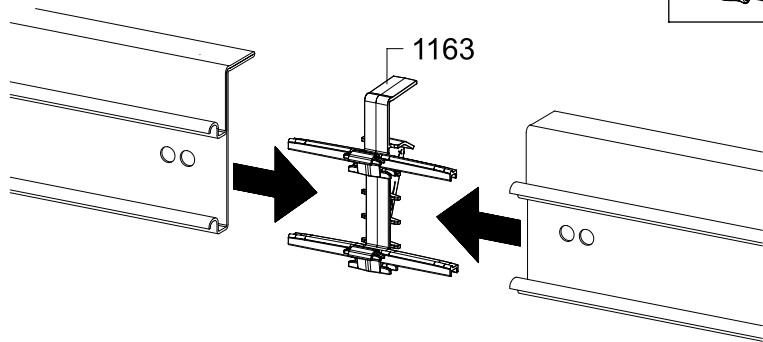
1163



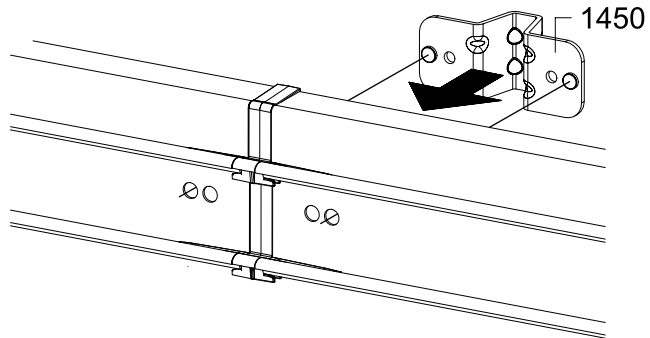
SCAN ME



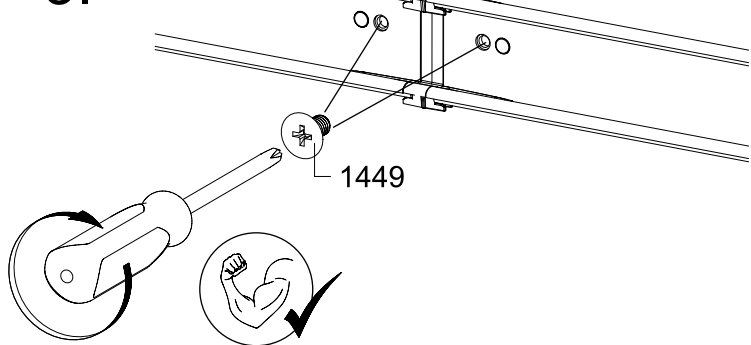
1.



2.

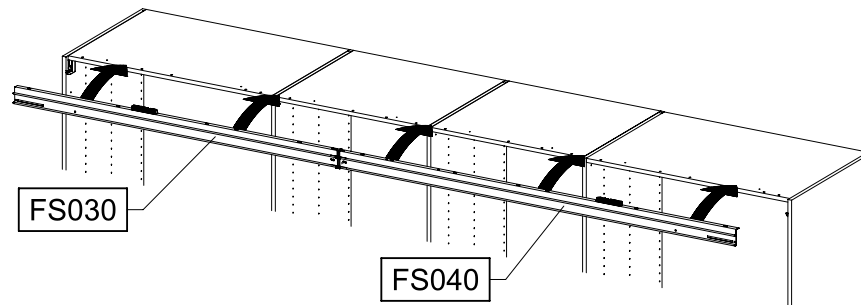


3.

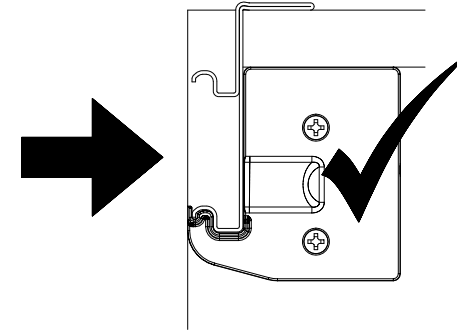
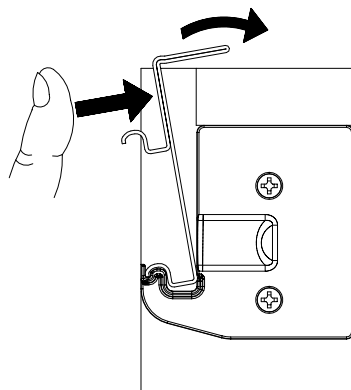
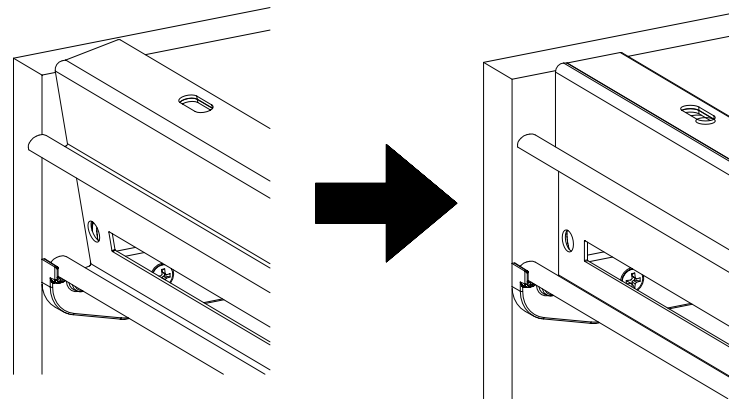


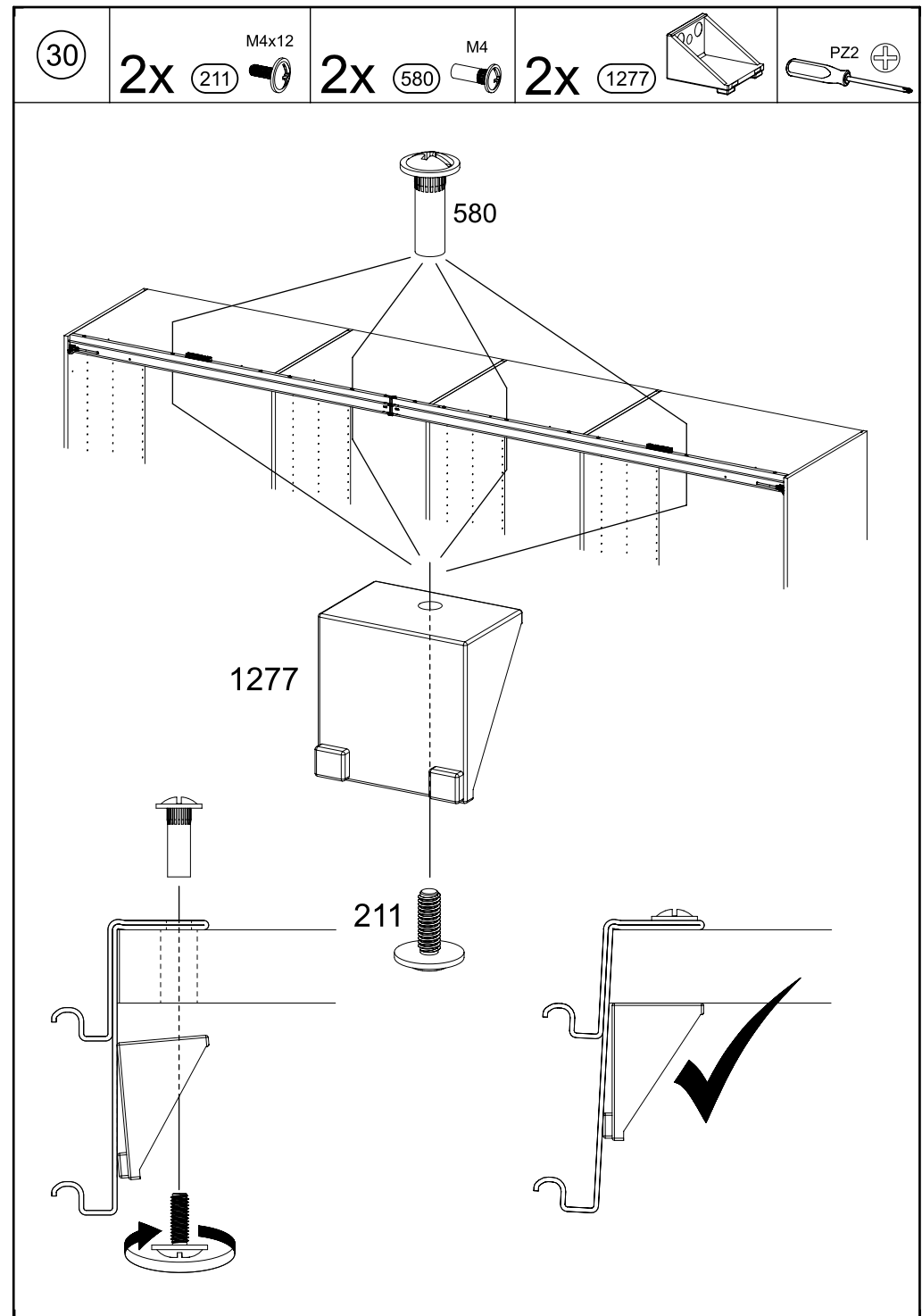
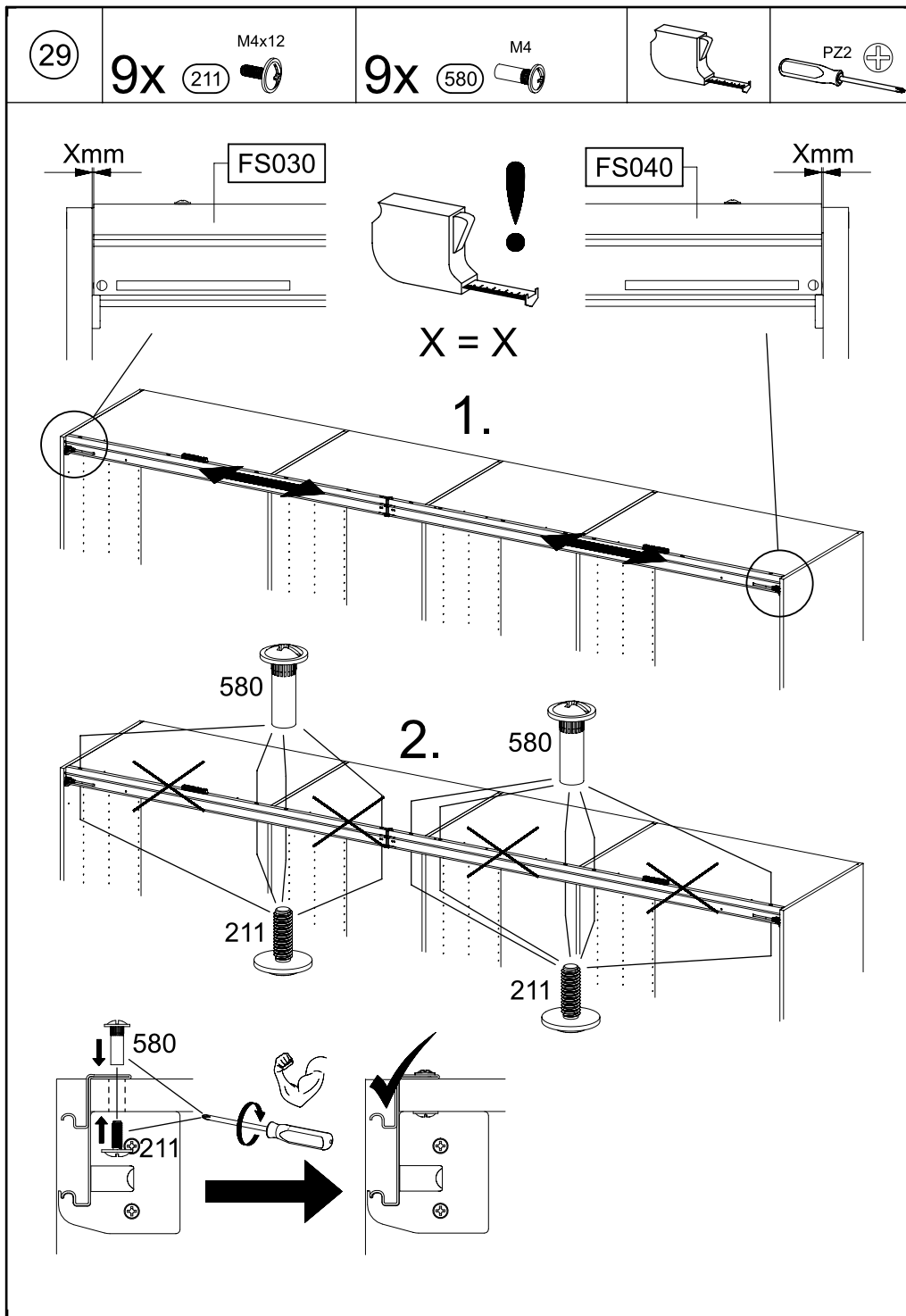
28

1.



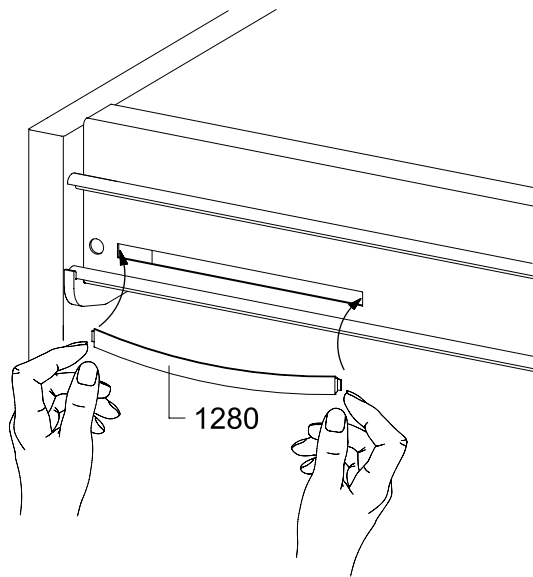
2.



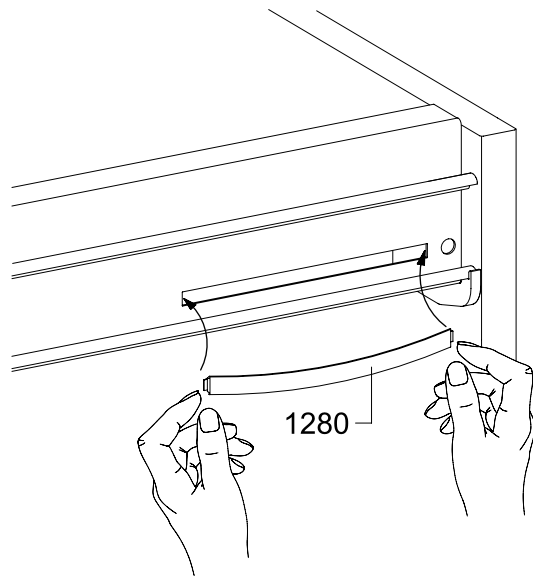


31

2x 1280



1280



1280

32

2x 1167



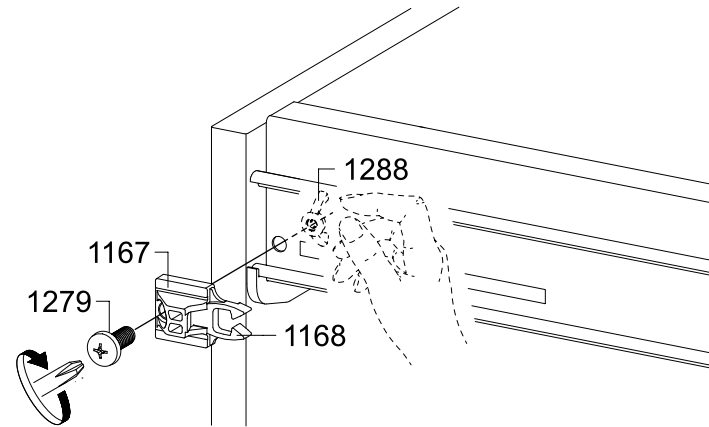
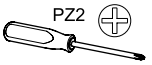
2x 1168



2x 1279



2x 1288

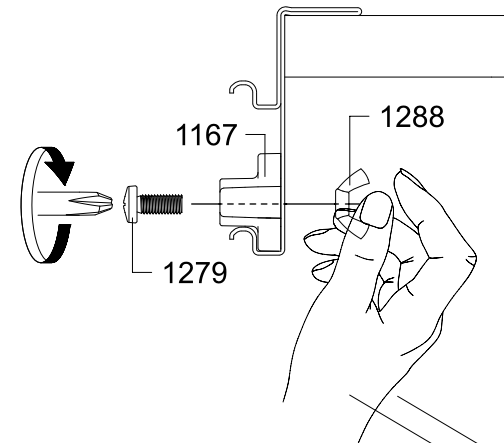


1279

1167

1288

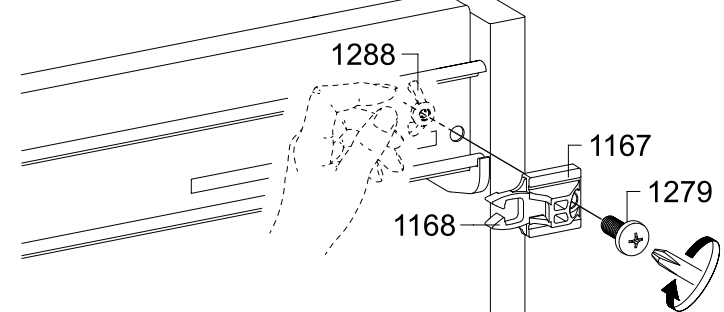
1168



1167

1288

1279

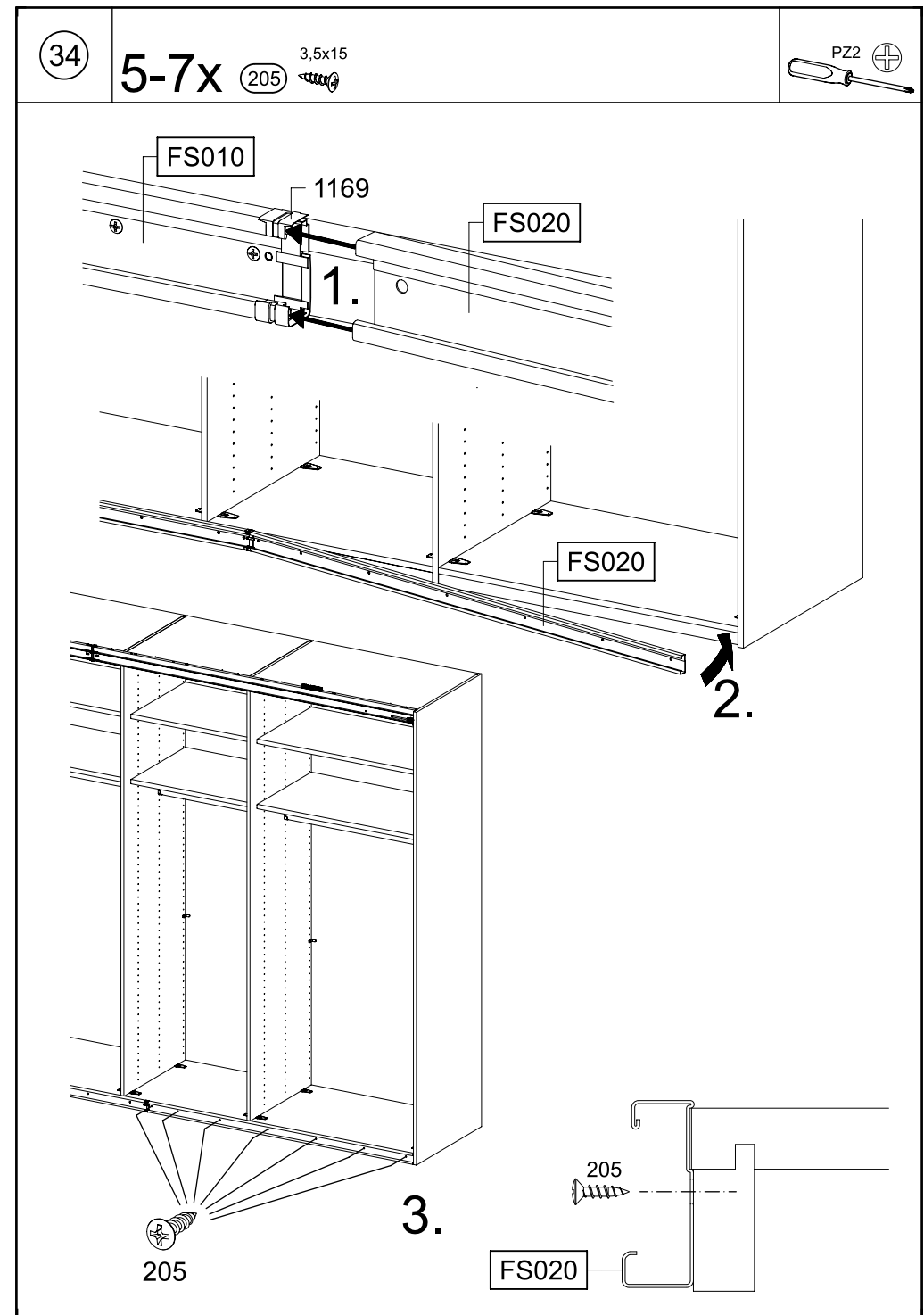
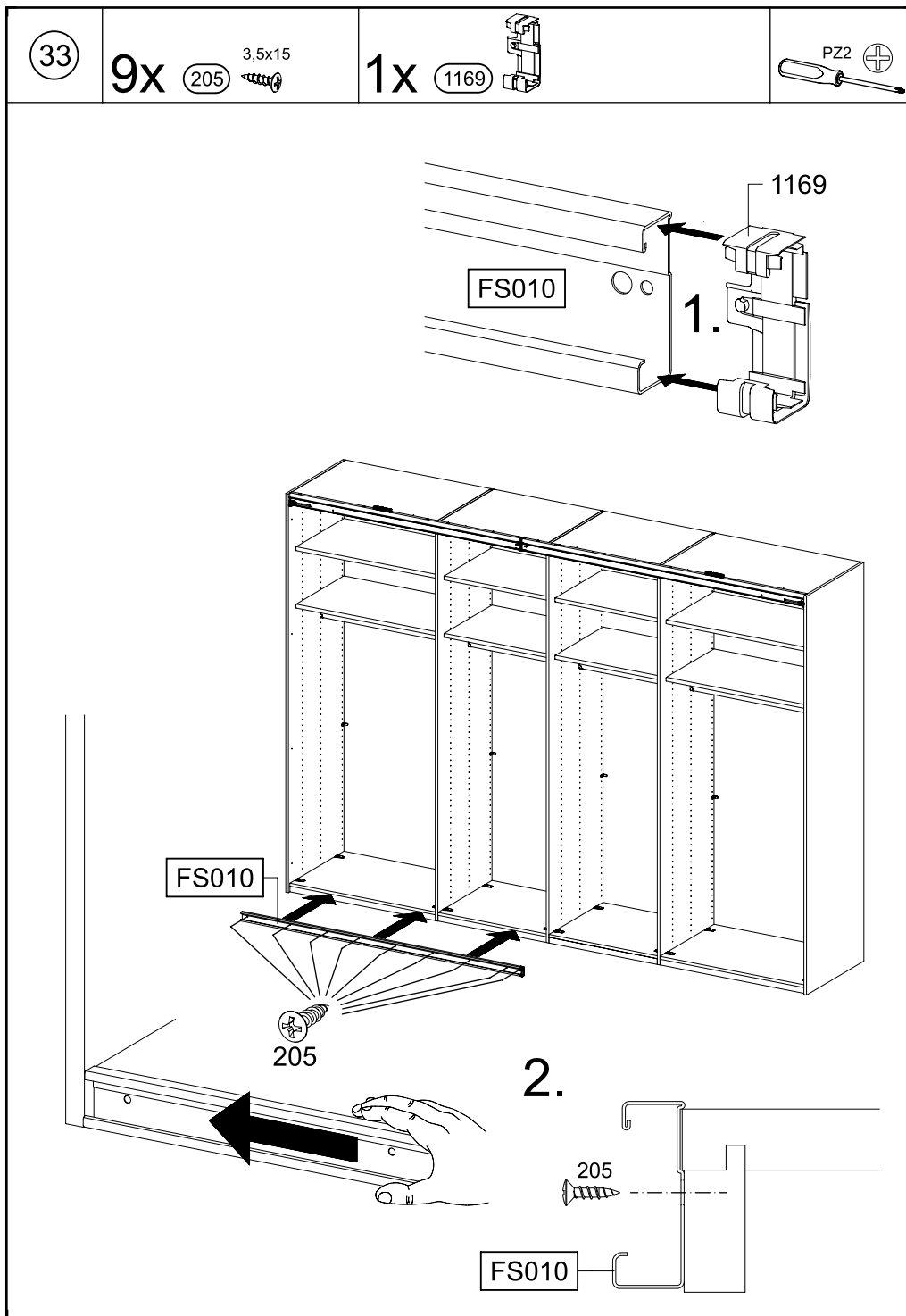


1288

1168

1167

1279



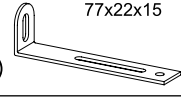
35

0-10x 12

55x16x6,2



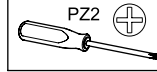
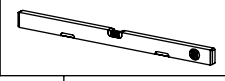
2x 68



77x22x15

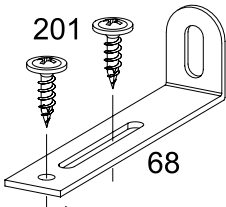
4x 201

4x15



SCAN ME

2.

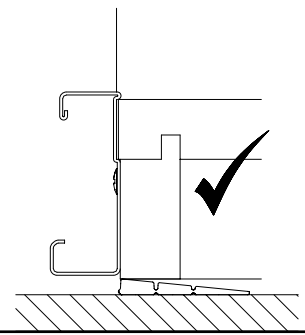
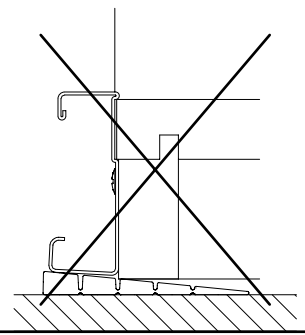
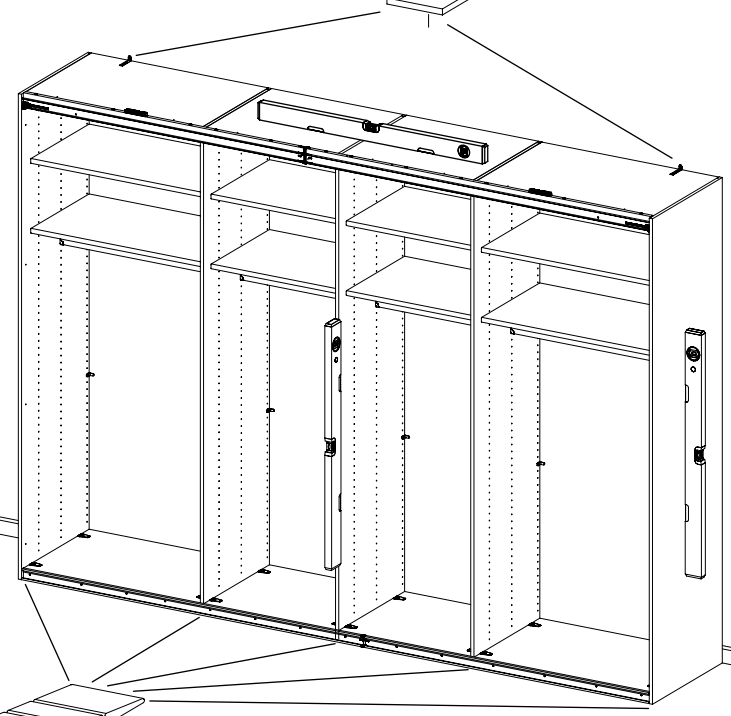
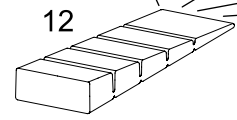


201

68

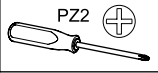
1.

12

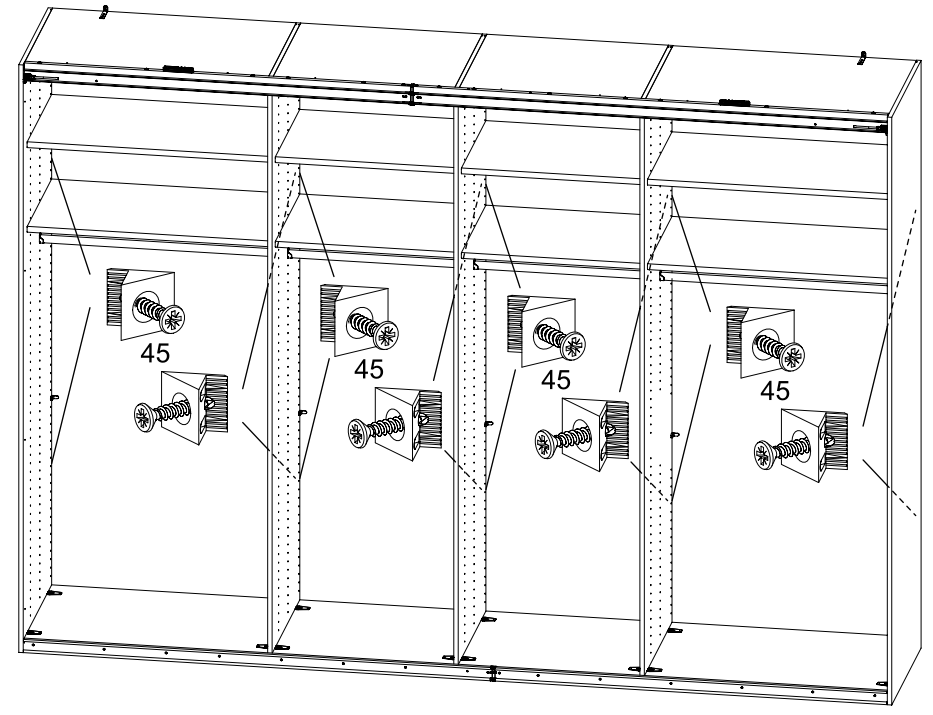


36

16x 45



PZ2



45

45

45

45

