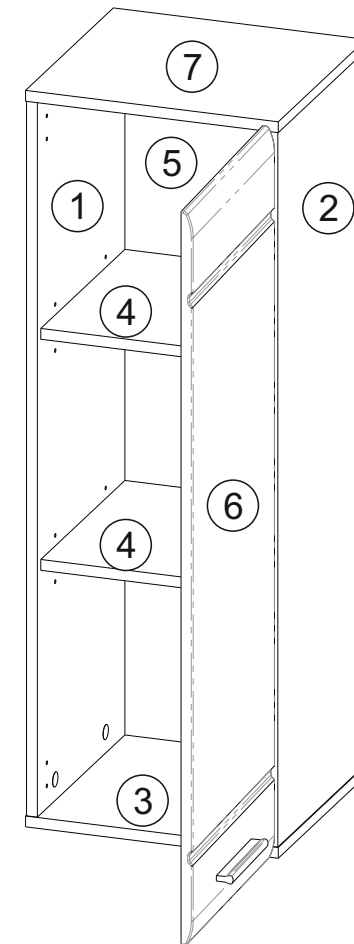
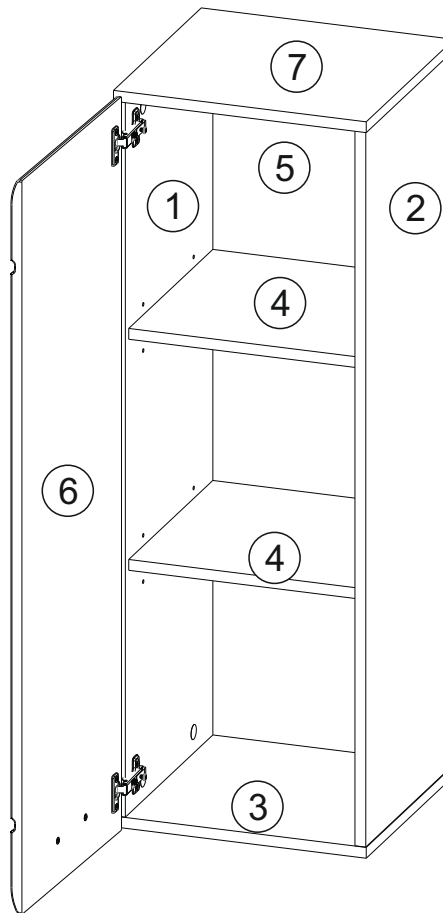


SFW1D_L

SFW1D_P



SFW1D_L



SFW1D_P

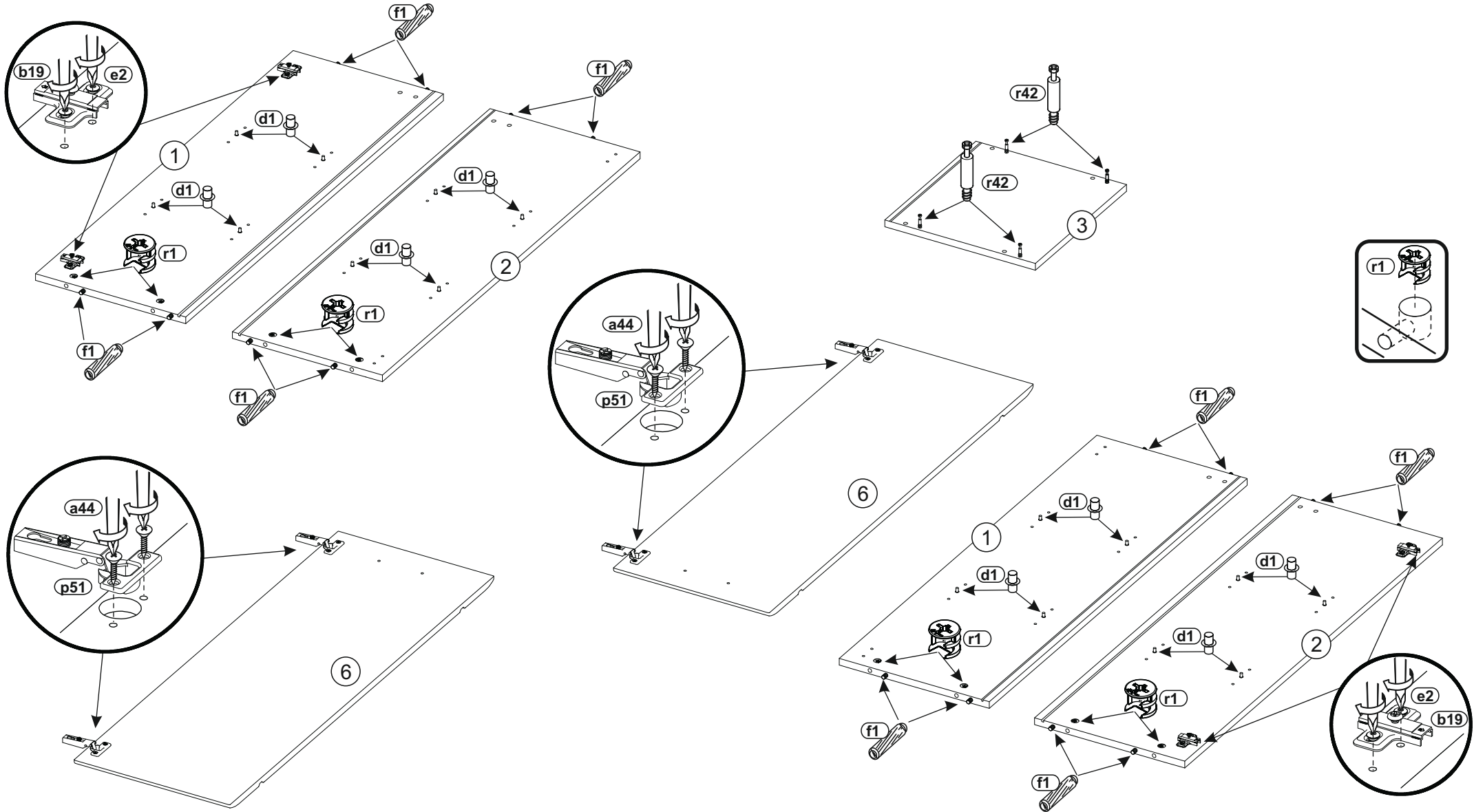
| A | B | C (mm) | | D |
|---|---------|--------|-----|-----|
| 1 | N19-101 | 988 | 334 | 1/3 |
| 2 | N19-102 | 988 | 334 | 1/3 |
| 3 | N19-201 | 350 | 334 | 1/3 |
| 4 | N19-301 | 317 | 313 | 1/3 |
| 5 | N19-901 | 998 | 325 | 1/3 |
| 6 | N19-003 | 1014 | 343 | 1/3 |
| 7 | N19-202 | 350 | 334 | 1/3 |

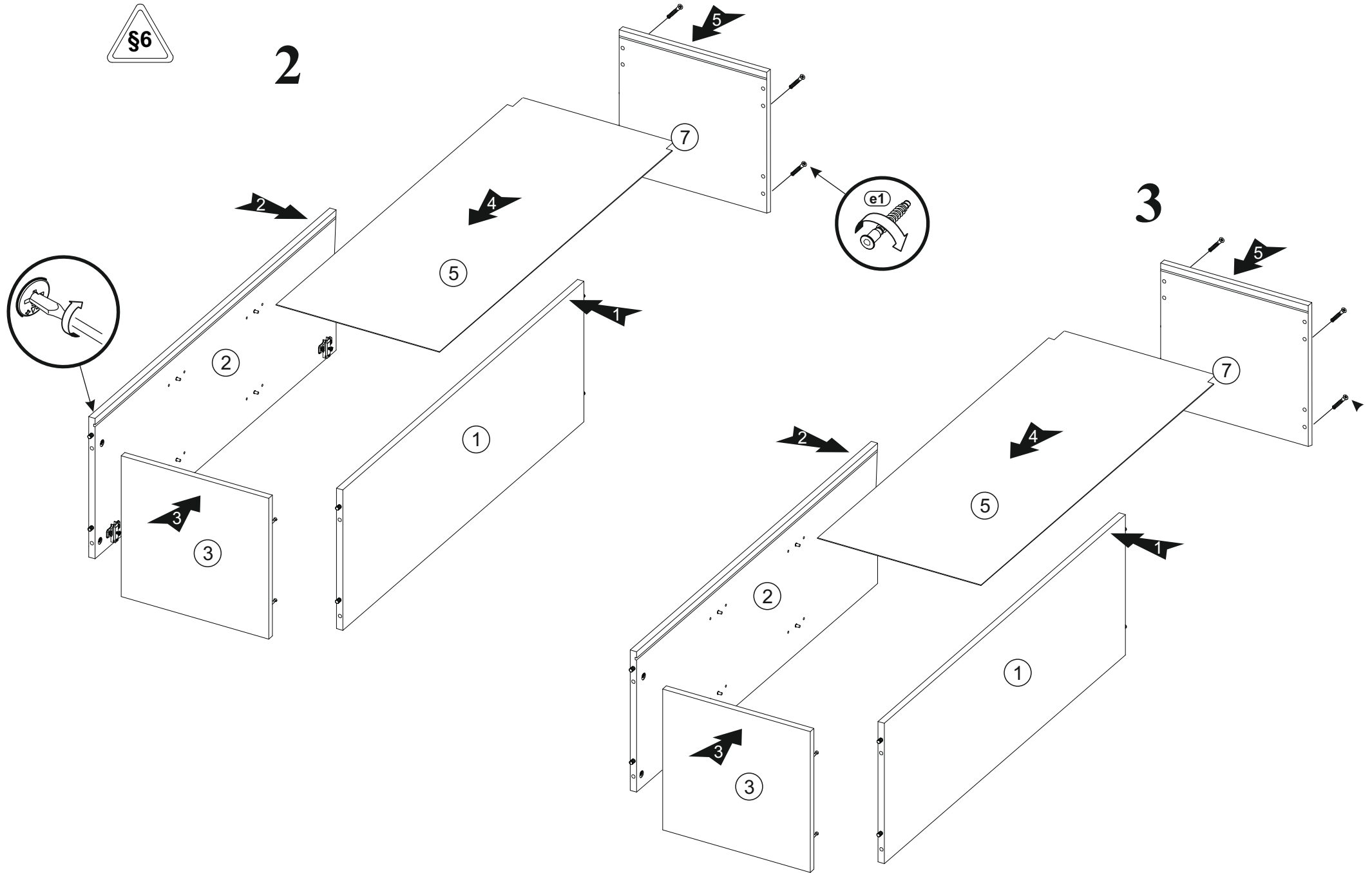
| A | B | C (mm) | | D |
|---|---------|--------|-----|-----|
| 1 | N19-101 | 988 | 334 | 1/3 |
| 2 | N19-102 | 988 | 334 | 1/3 |
| 3 | N19-201 | 350 | 334 | 1/3 |
| 4 | N19-301 | 317 | 313 | 1/3 |
| 5 | N19-901 | 998 | 325 | 1/3 |
| 6 | N19-001 | 1014 | 343 | 1/3 |
| 7 | N19-202 | 350 | 334 | 1/3 |

0 10 20 30 40 50 60 70 80 90 100 110 120 130 140 150 160 170 180 190 200

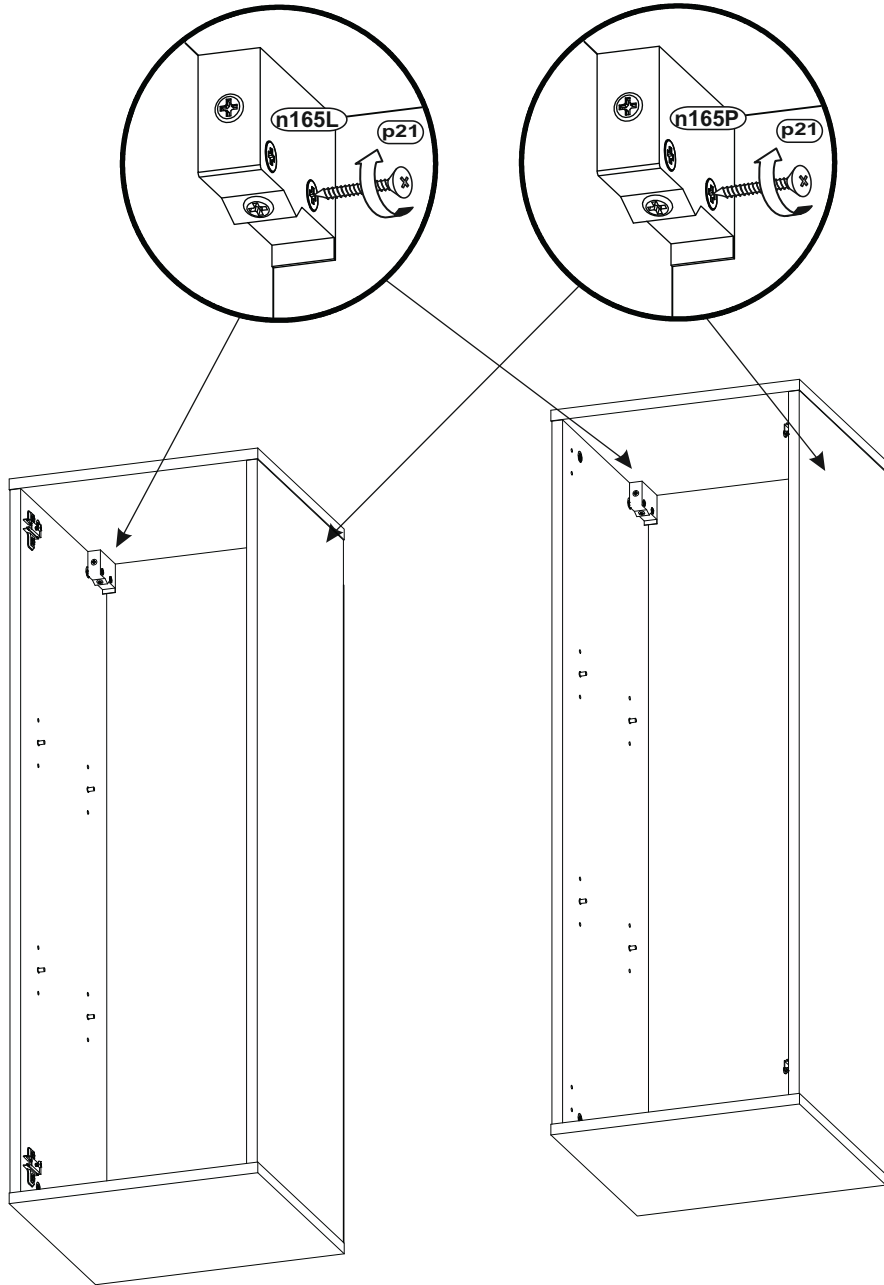


1

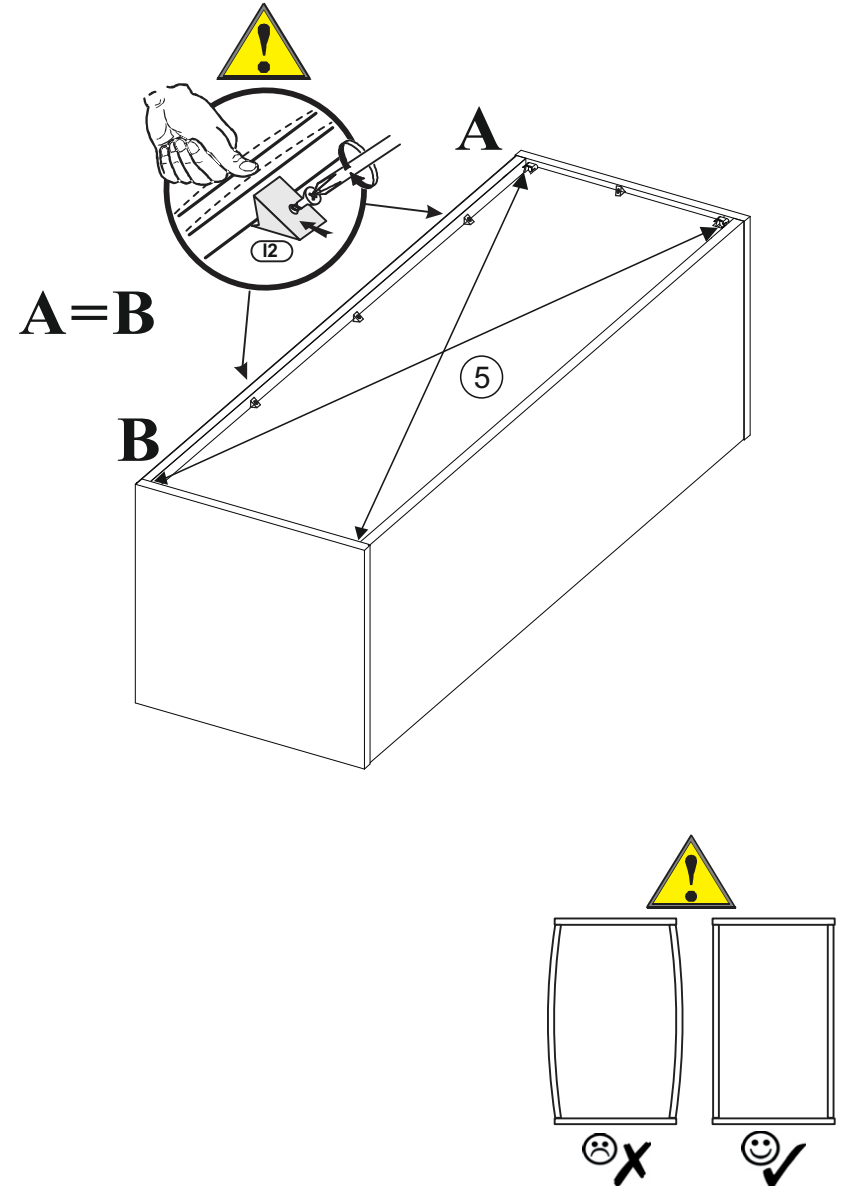




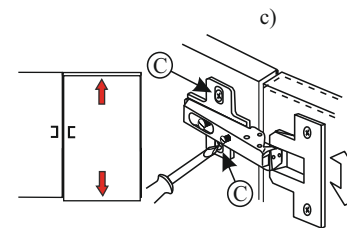
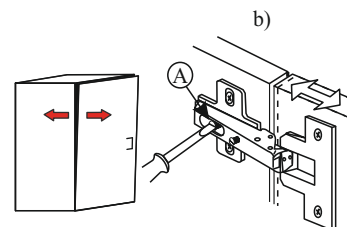
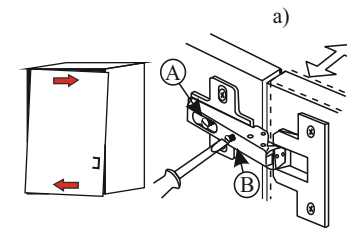
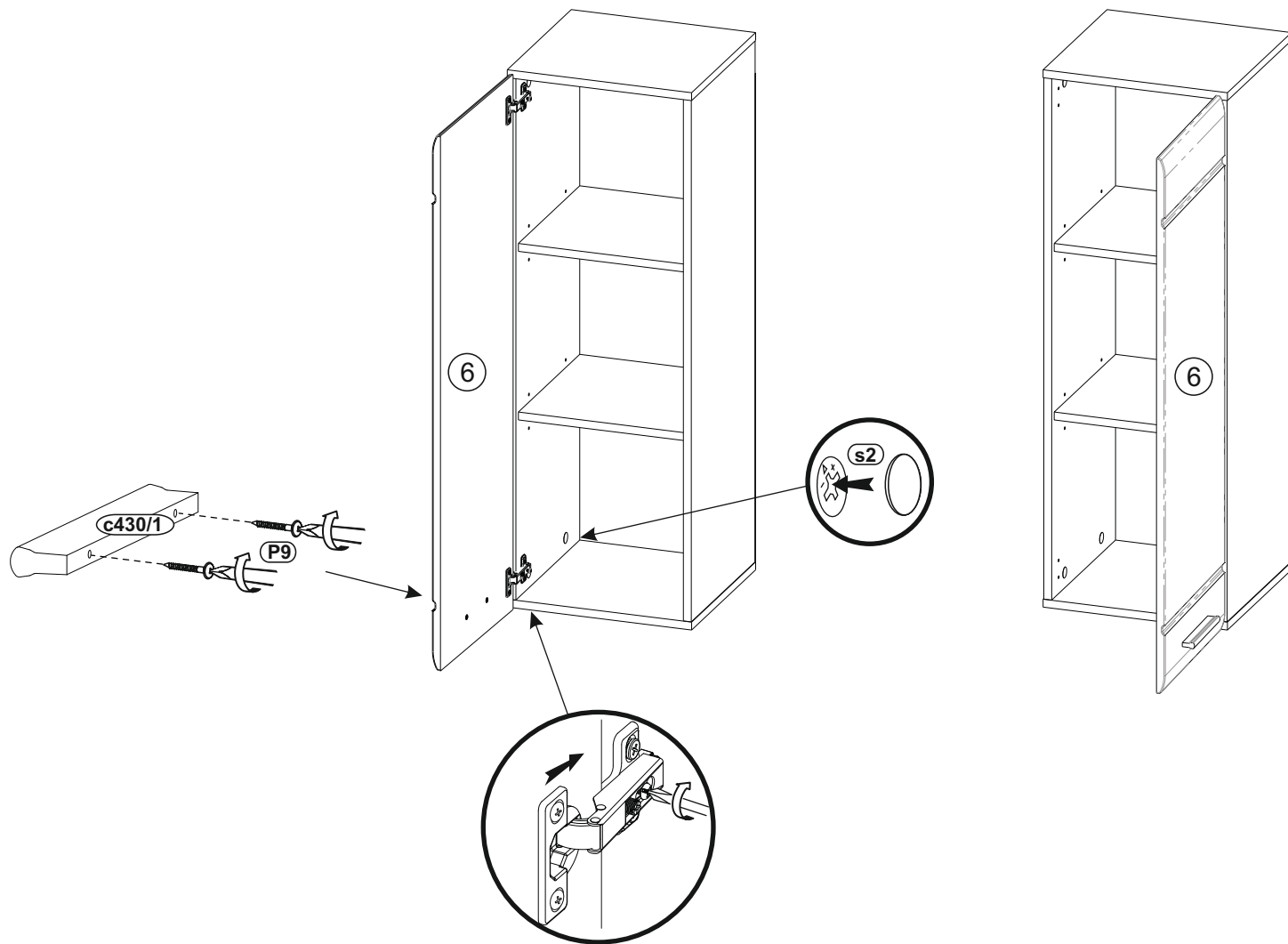
4

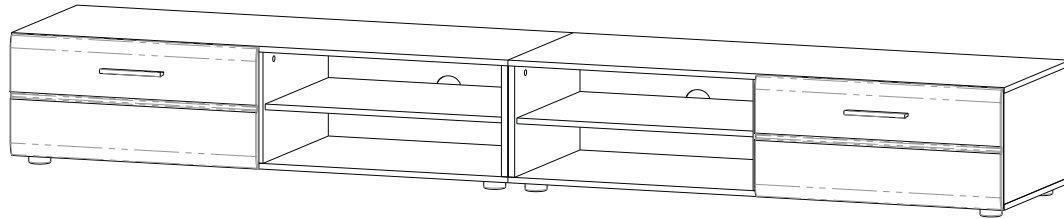
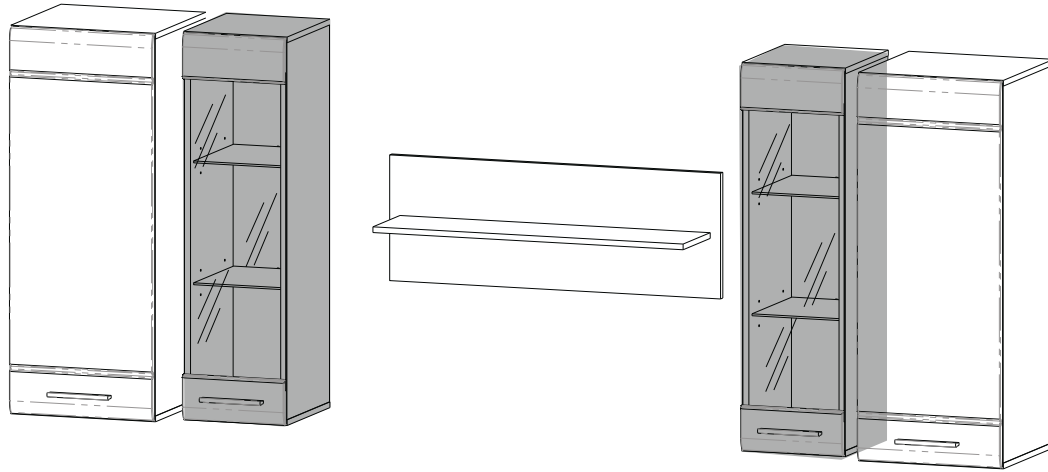


5



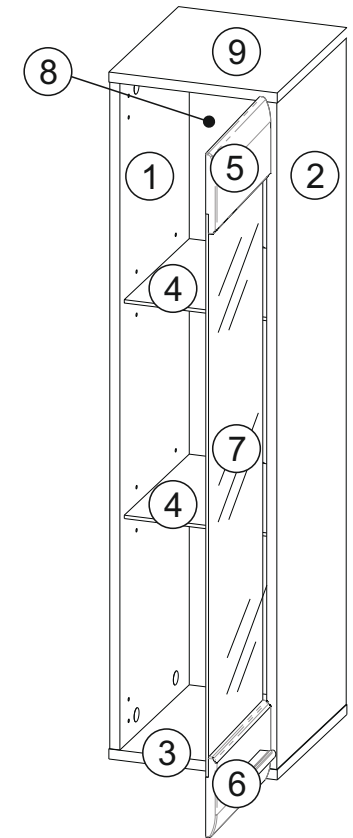
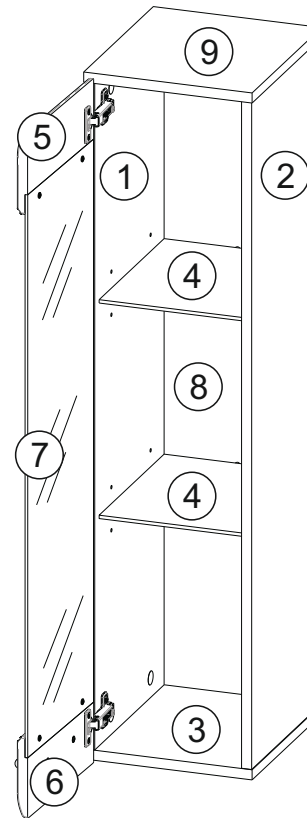
7





SFW1W_L

SFW1W_P



SFW1W_L

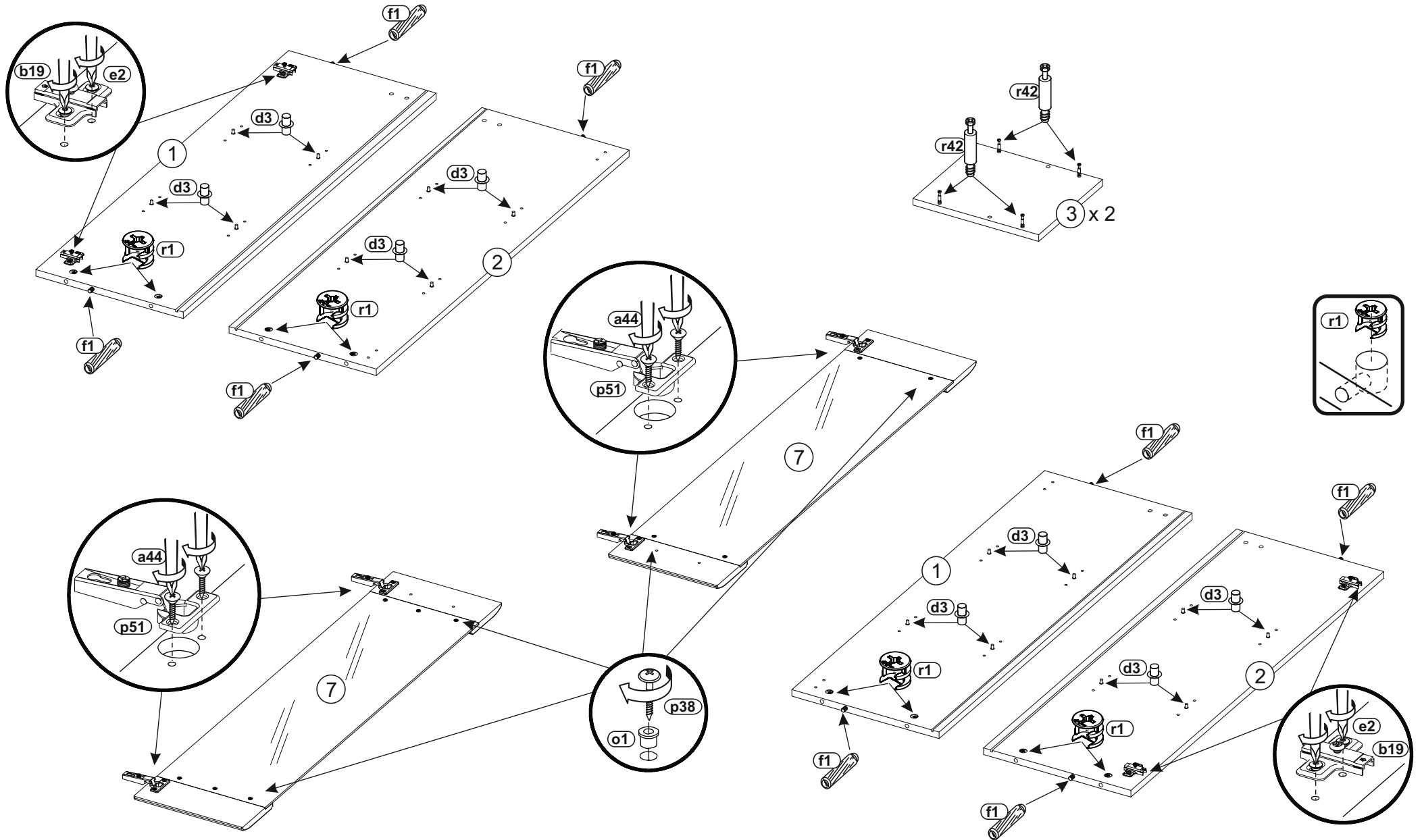


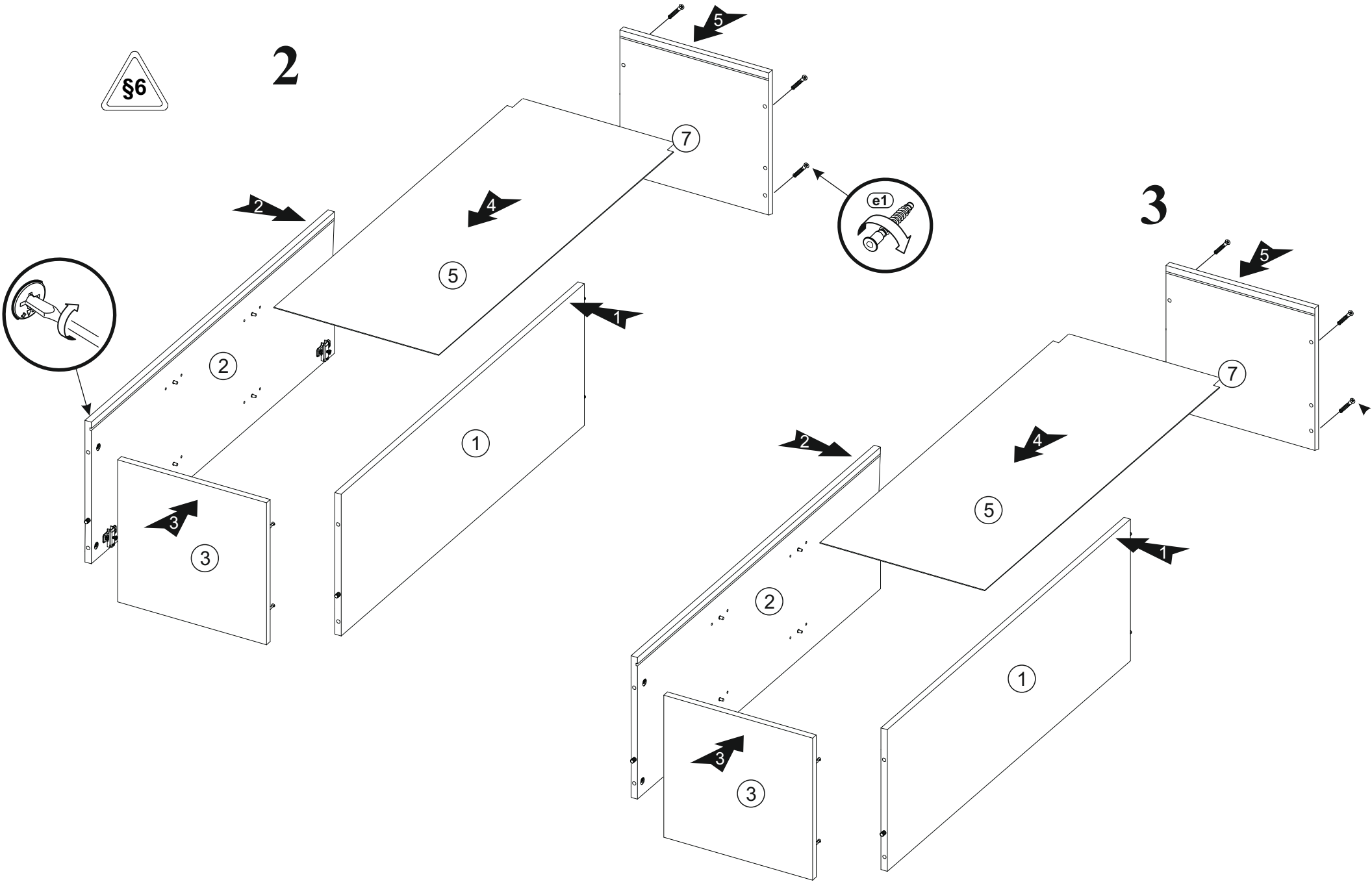
SFW1W_P

| A | B | C (mm) | | D |
|---|---------|--------|-----|-----|
| 1 | N19-106 | 988 | 284 | 2/3 |
| 2 | N19-107 | 988 | 284 | 2/3 |
| 3 | N19-206 | 250 | 284 | 2/3 |
| 4 | N19-501 | 216 | 239 | 2/3 |
| 5 | N19-701 | 243 | 120 | 2/3 |
| 6 | N19-702 | 243 | 120 | 2/3 |
| 7 | N19-502 | 834 | 242 | 2/3 |
| 8 | N19-903 | 998 | 227 | 2/3 |
| 9 | N19-205 | 250 | 284 | 2/3 |

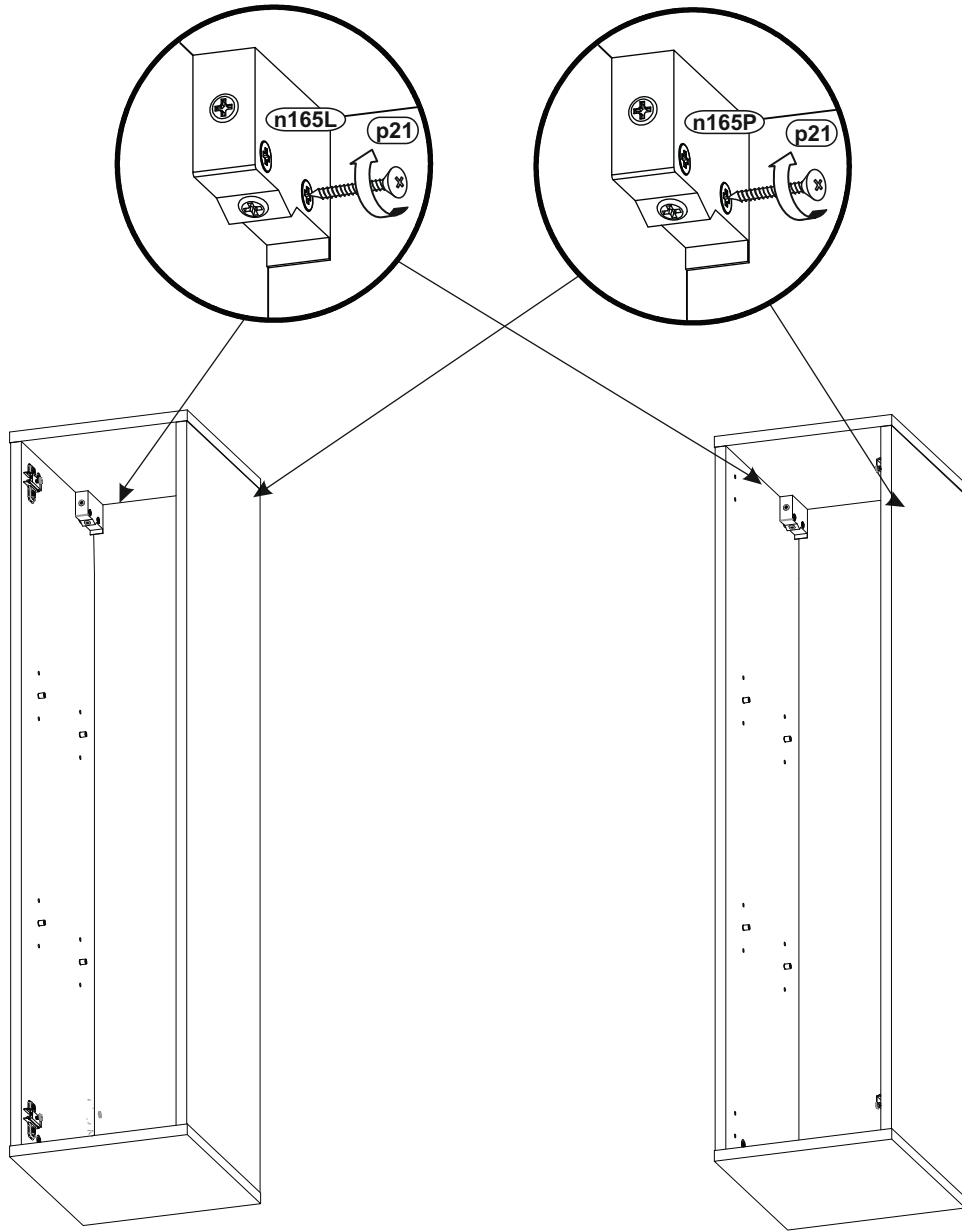
| A | B | C (mm) | | D |
|---|---------|--------|-----|-----|
| 1 | N19-108 | 988 | 284 | 2/3 |
| 2 | N19-109 | 988 | 284 | 2/3 |
| 3 | N19-206 | 250 | 284 | 2/3 |
| 4 | N19-501 | 216 | 239 | 2/3 |
| 5 | N19-703 | 243 | 120 | 2/3 |
| 6 | N19-704 | 243 | 120 | 2/3 |
| 7 | N19-502 | 834 | 242 | 2/3 |
| 8 | N19-903 | 998 | 227 | 2/3 |
| 9 | N19-205 | 250 | 284 | 2/3 |

1

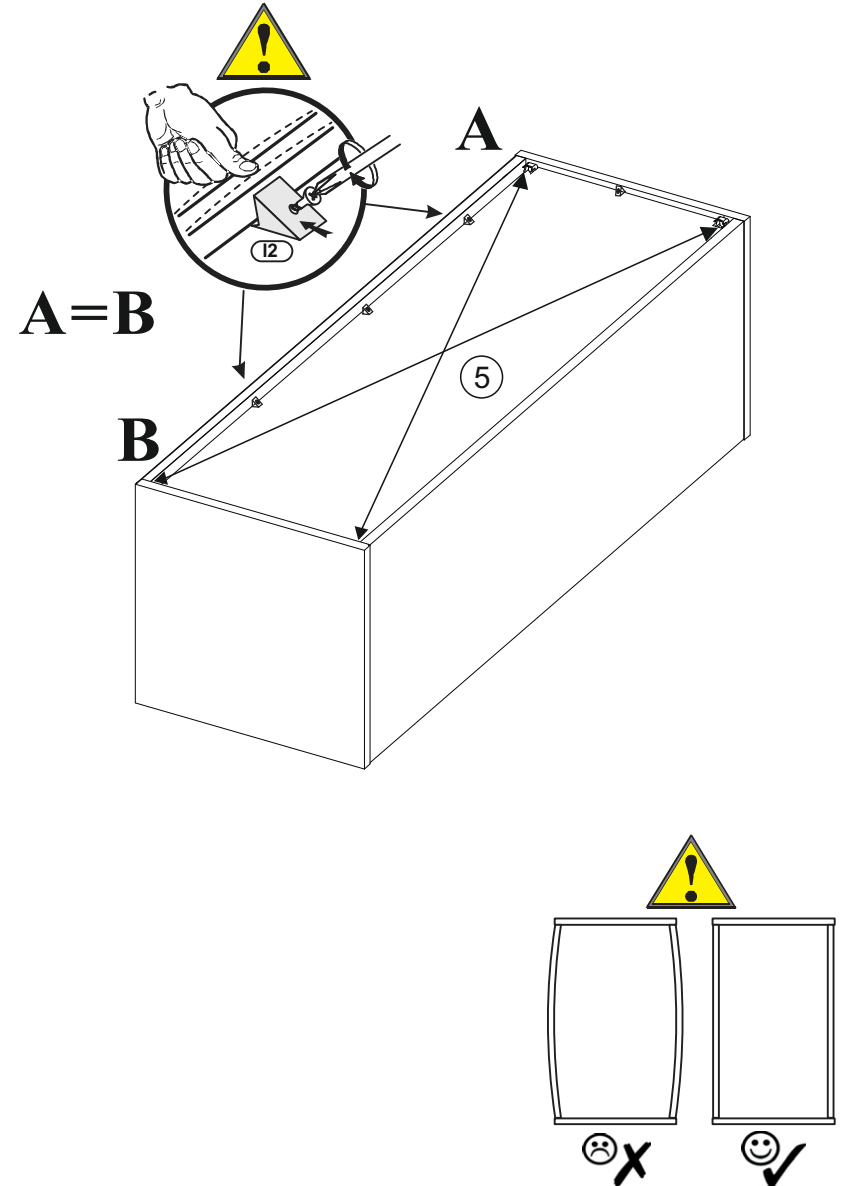




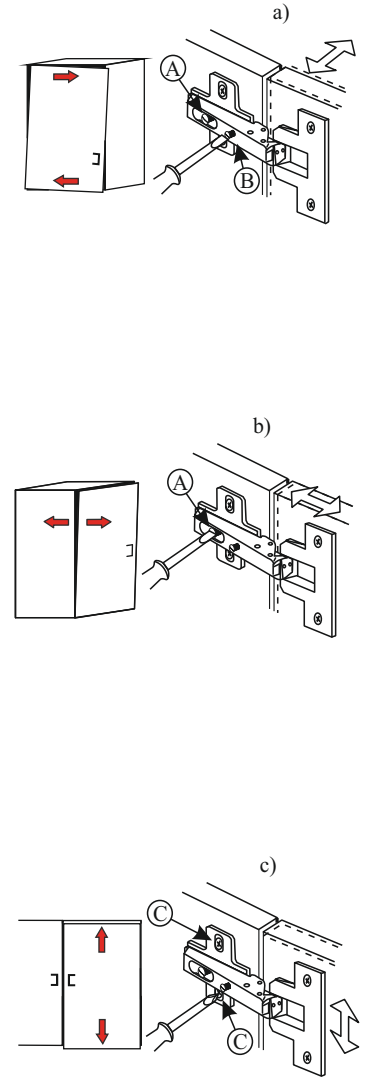
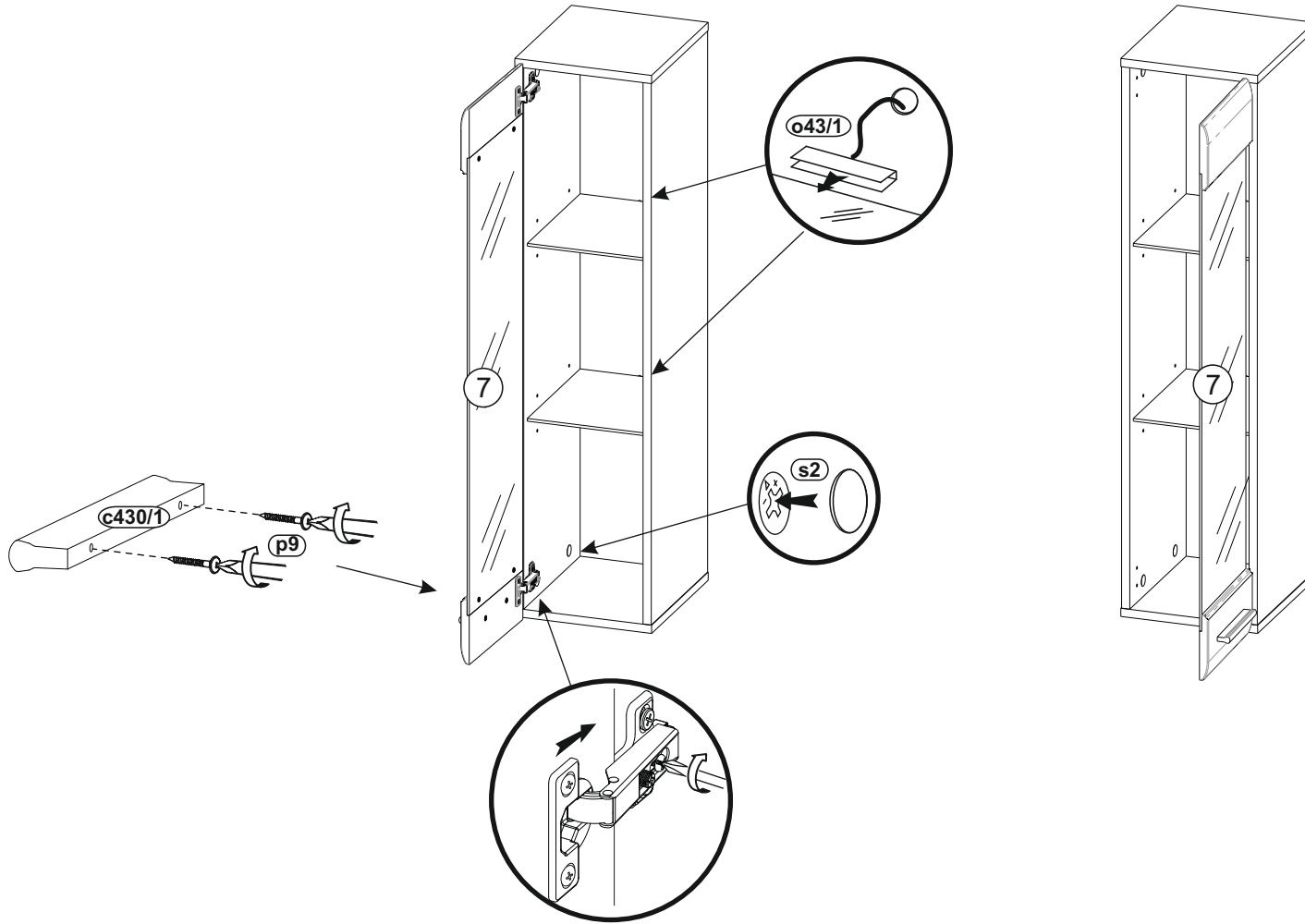
4

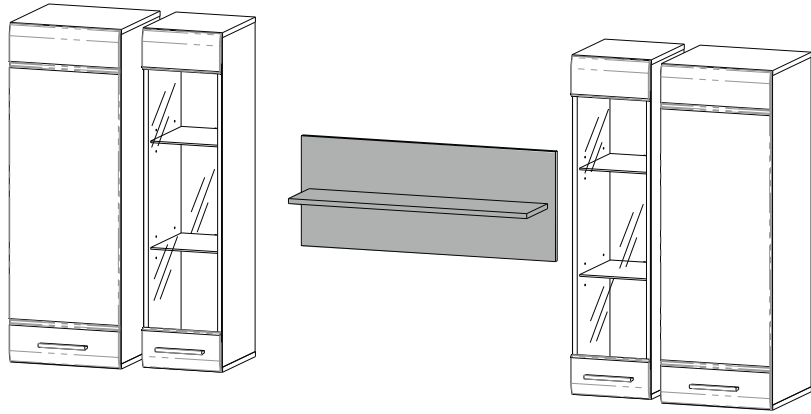


5



6





RTV1K_L

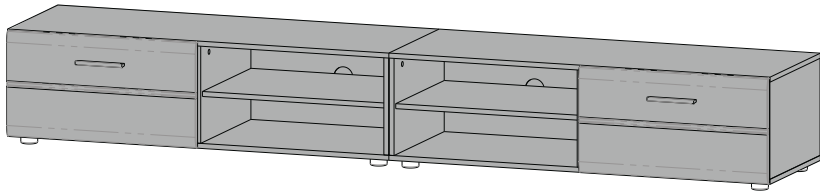


RTV1K_P

| A | B | C (mm) | | D |
|---|---------|--------|-----|-----|
| 1 | N19-103 | 294 | 435 | 3/3 |
| 2 | N19-104 | 294 | 435 | 3/3 |
| 3 | N19-105 | 294 | 415 | 3/3 |
| 4 | N19-302 | 576 | 413 | 3/3 |
| 5 | N19-203 | 1200 | 435 | 3/3 |
| 6 | N19-204 | 1200 | 435 | 3/3 |
| 7 | N19-002 | 596 | 320 | 3/3 |
| 8 | N19-904 | 1177 | 304 | 3/3 |

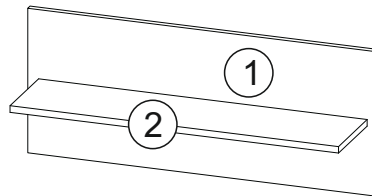
| A | B | C (mm) | | D |
|---|---------|--------|-----|-----|
| 1 | N19-111 | 294 | 435 | 3/3 |
| 2 | N19-110 | 294 | 435 | 3/3 |
| 3 | N19-112 | 294 | 415 | 3/3 |
| 4 | N19-302 | 576 | 413 | 3/3 |
| 5 | N19-207 | 1200 | 435 | 3/3 |
| 6 | N19-208 | 1200 | 435 | 3/3 |
| 7 | N19-004 | 596 | 320 | 3/3 |
| 8 | N19-902 | 1177 | 304 | 3/3 |

POL-80

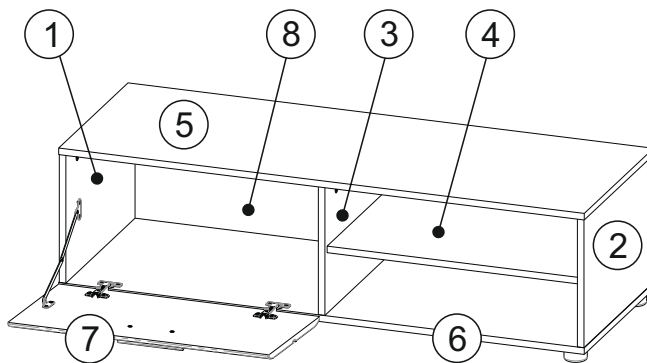


| A | B | C (mm) | | D |
|---|---------|--------|-----|-----|
| 1 | N19-401 | 800 | 330 | 3/3 |
| 2 | N19-303 | 760 | 179 | 3/3 |

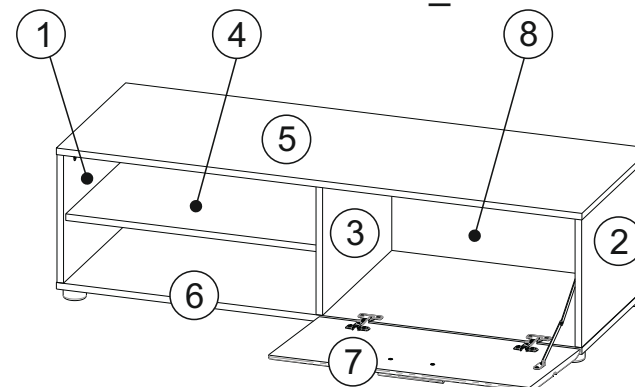
POL-80



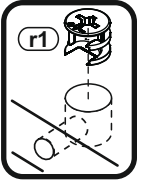
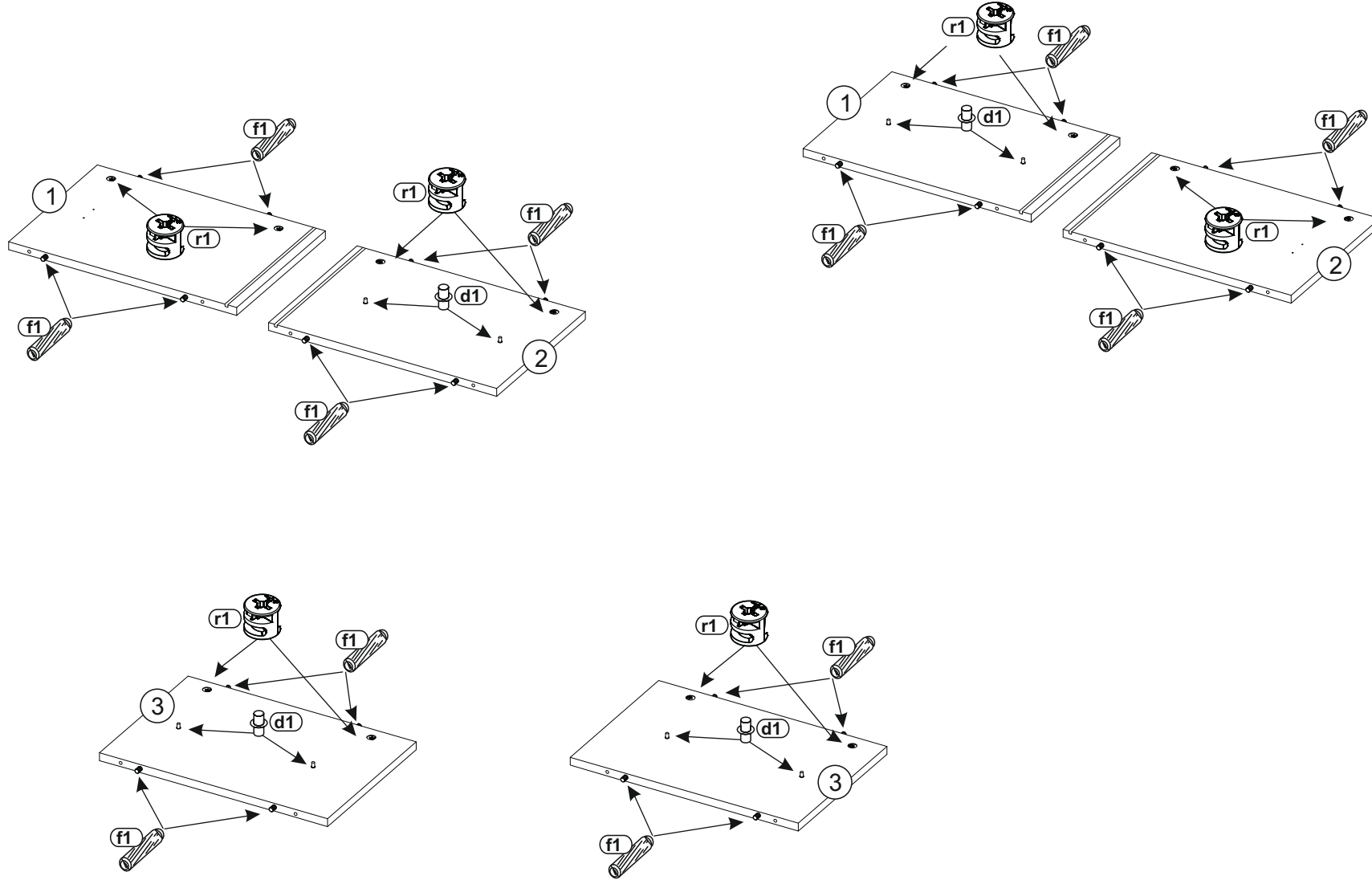
RTV1K_L



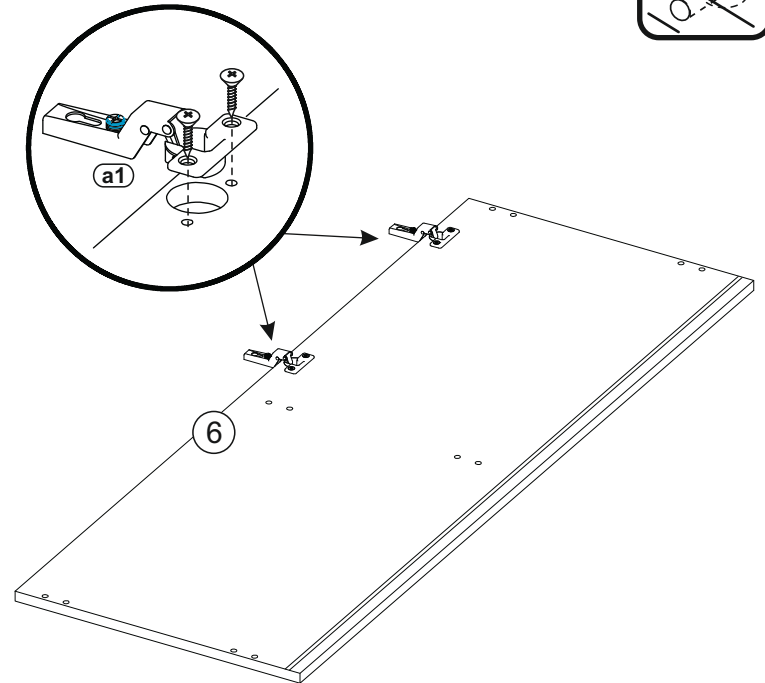
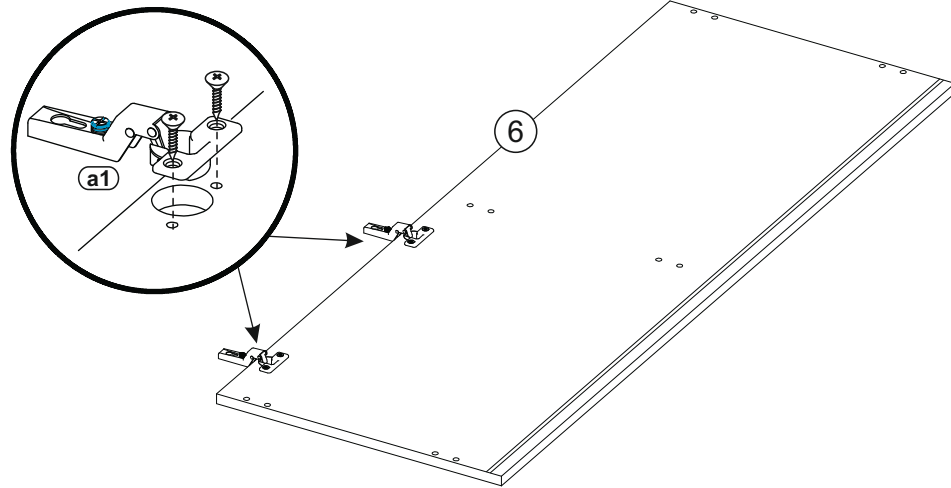
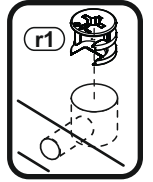
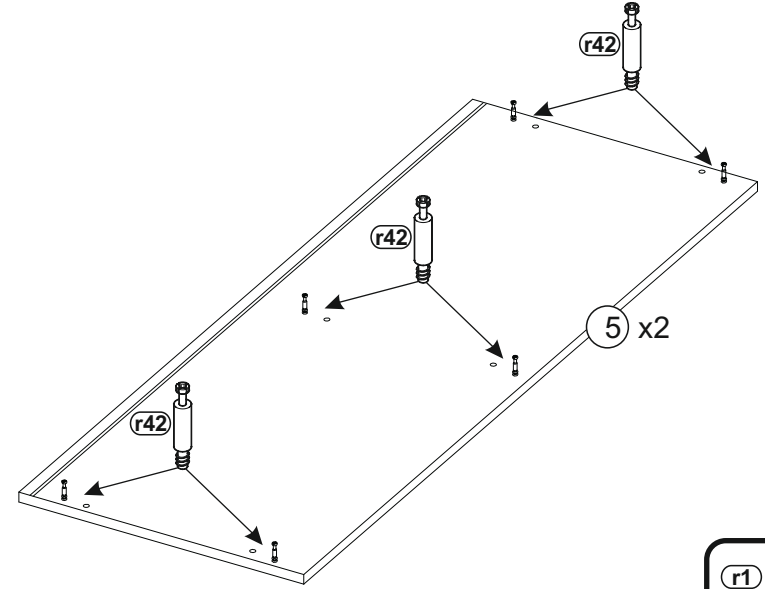
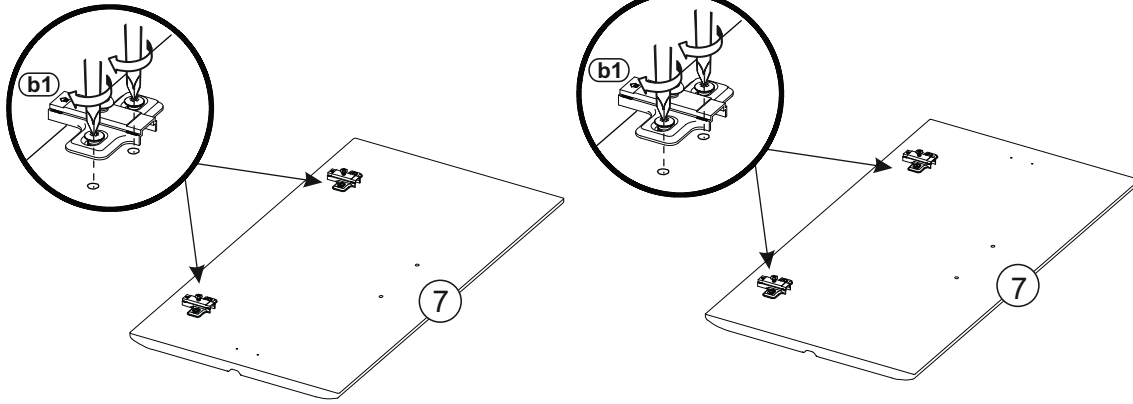
RTV1K_P



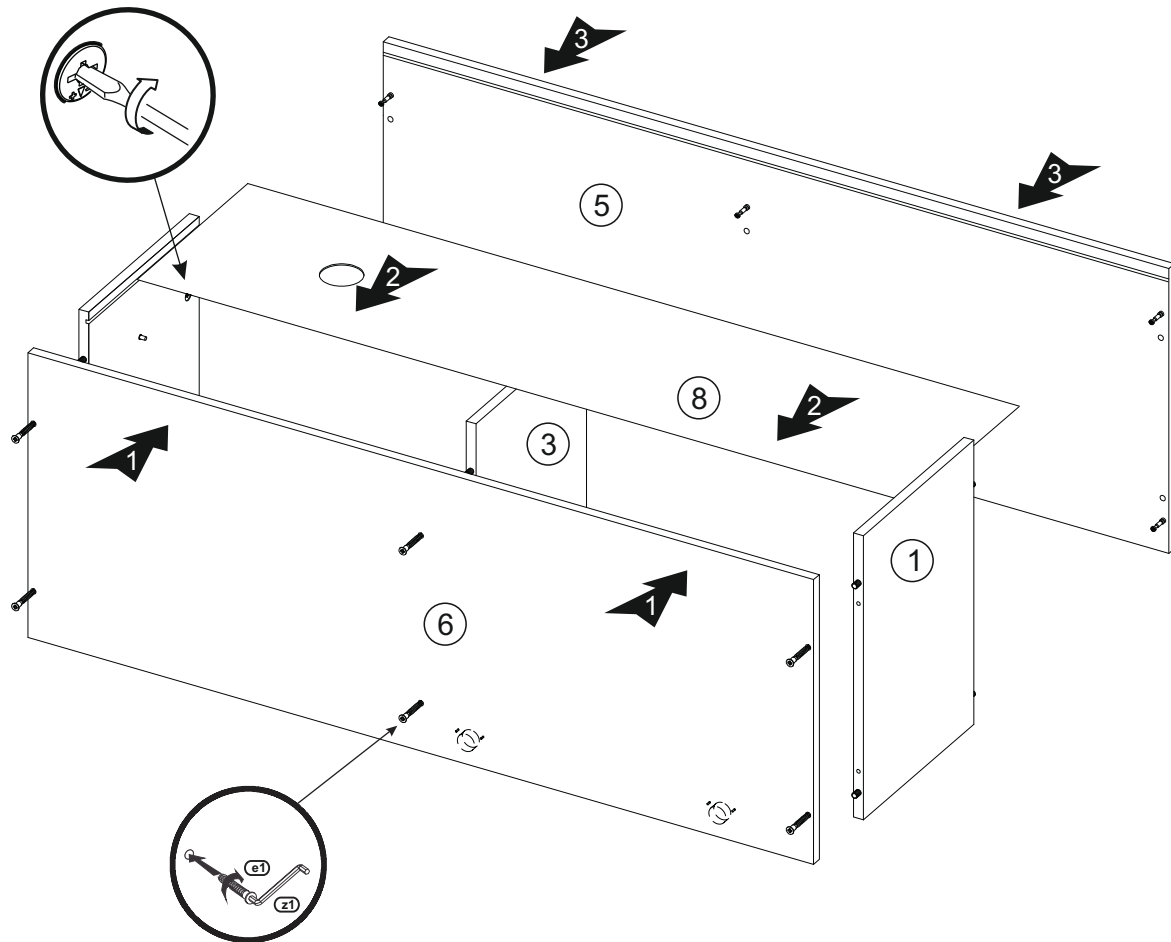
1



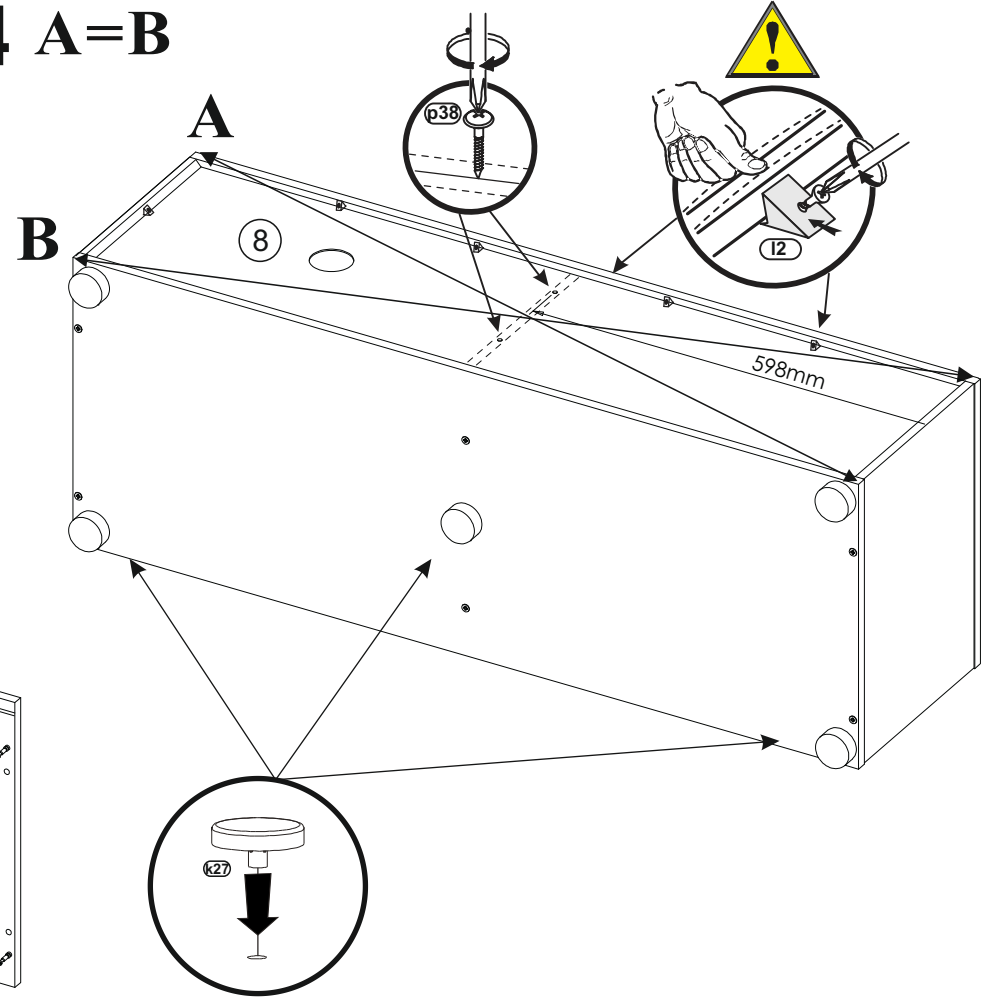
2



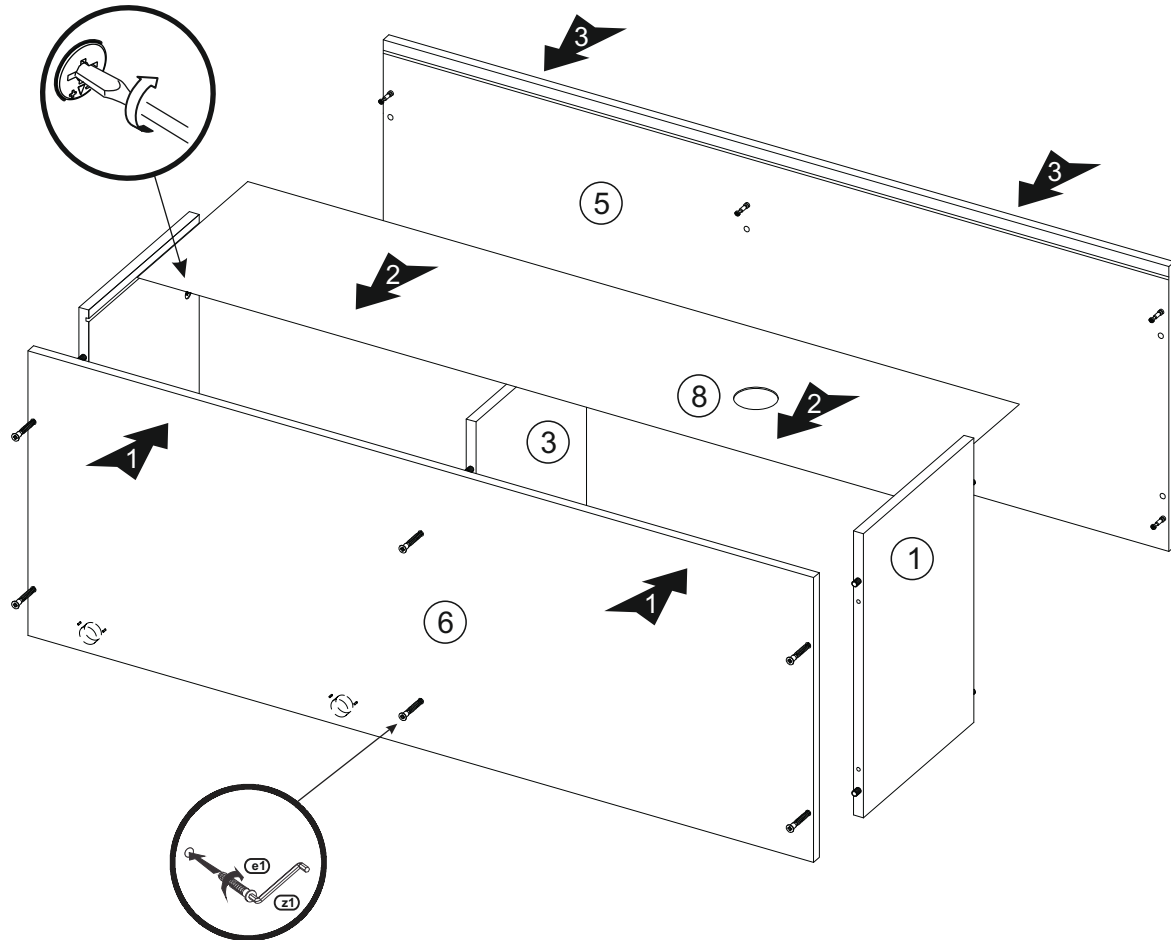
3



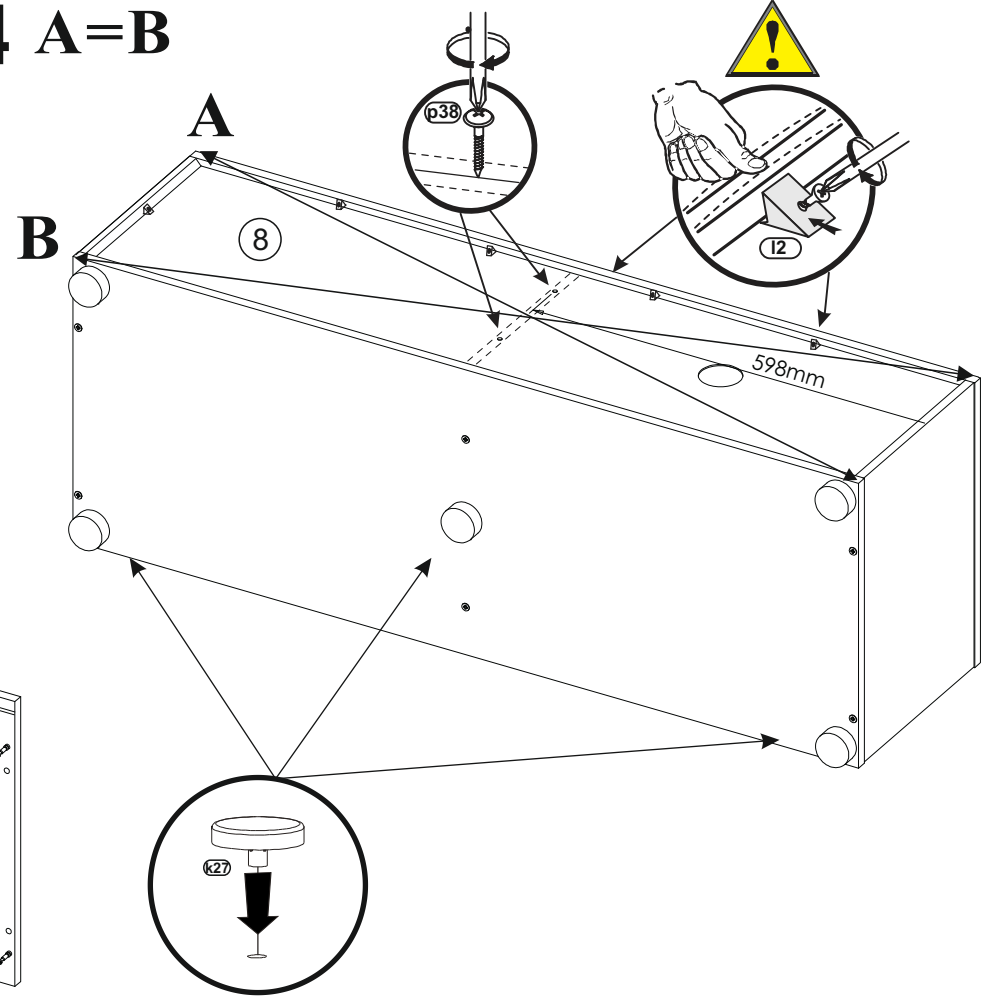
4 A=B



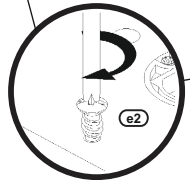
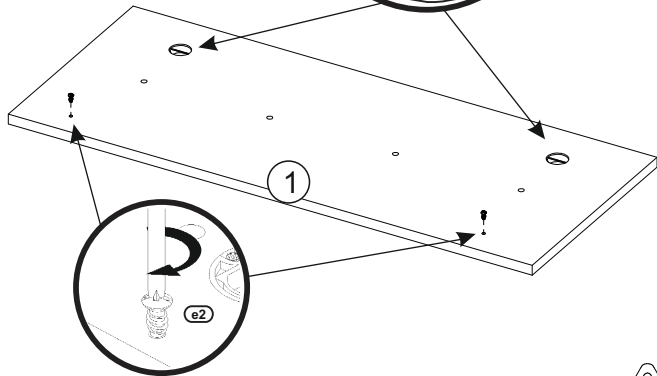
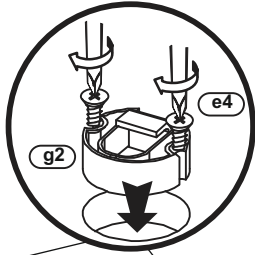
3



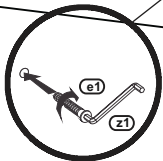
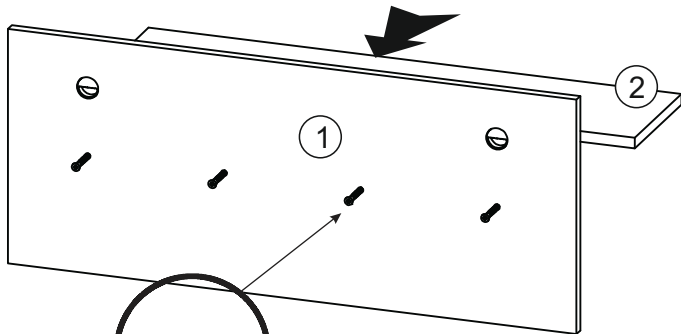
4 A=B



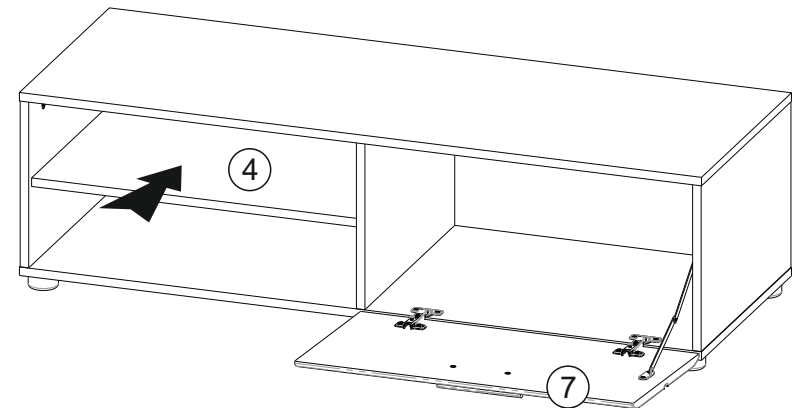
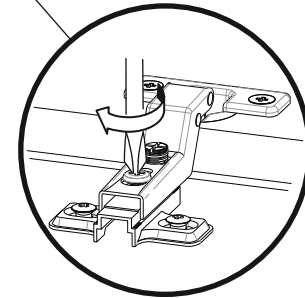
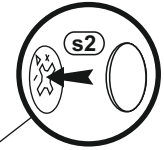
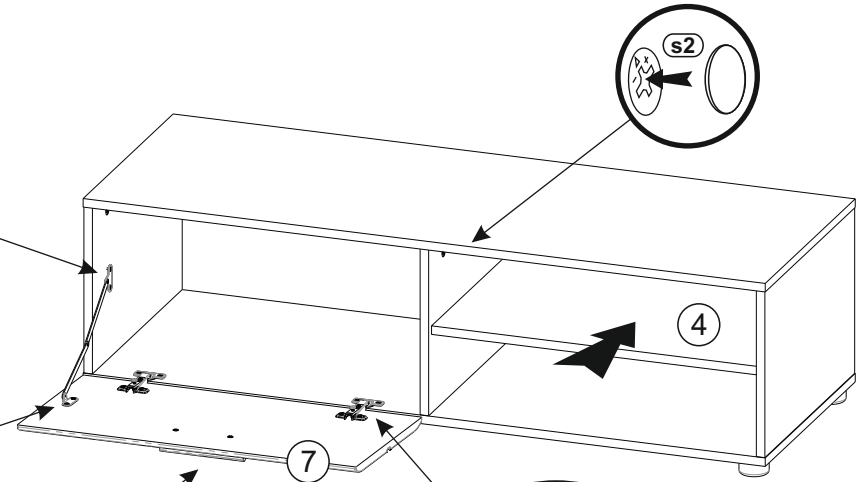
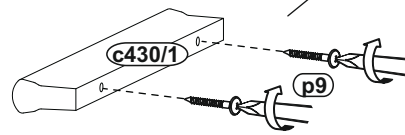
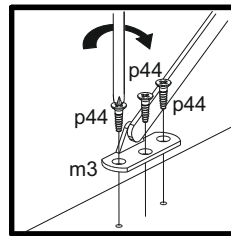
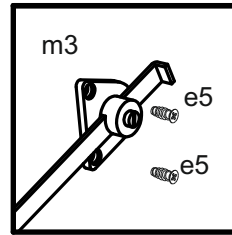
7 POL-80



8



9



6

