




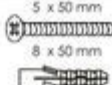











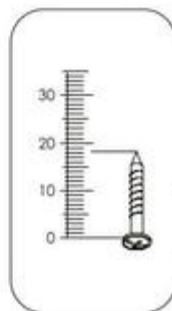
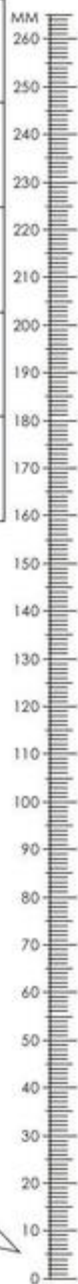
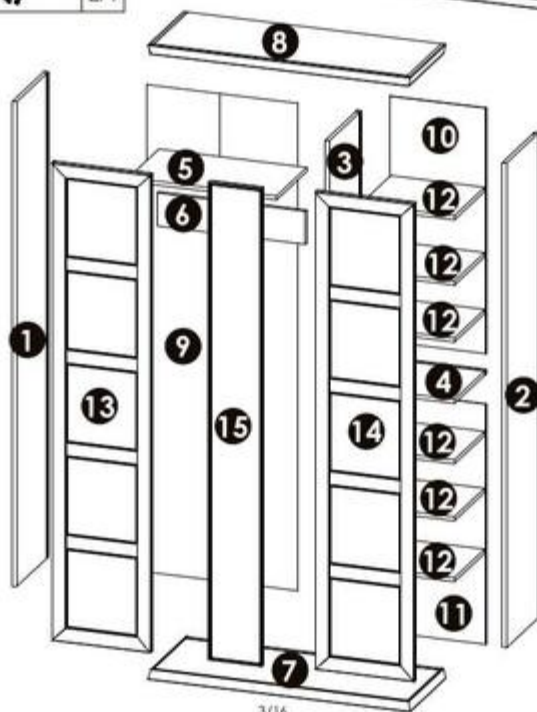
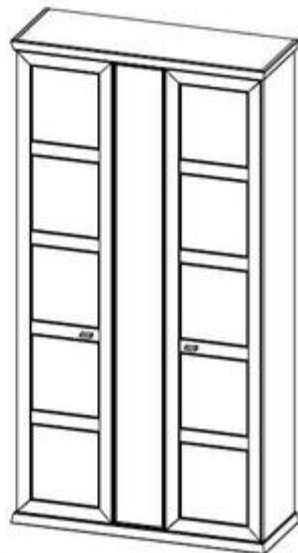
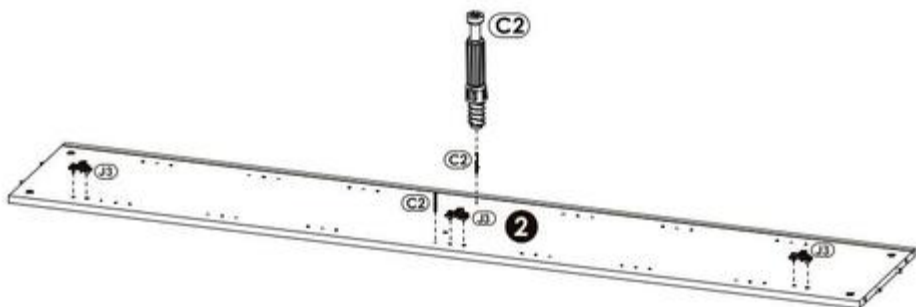
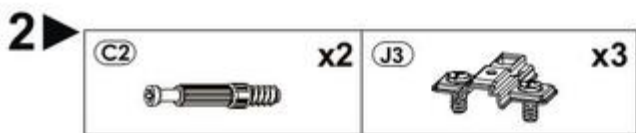
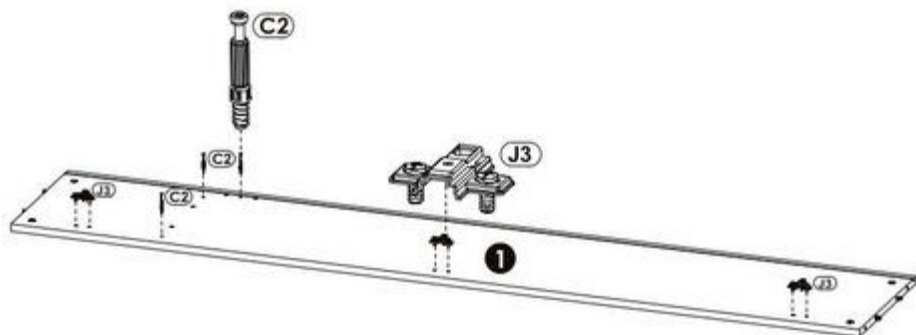
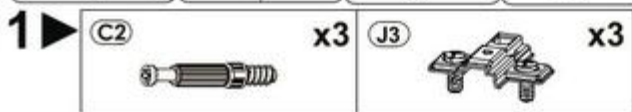
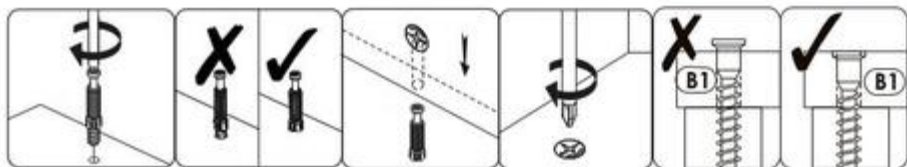


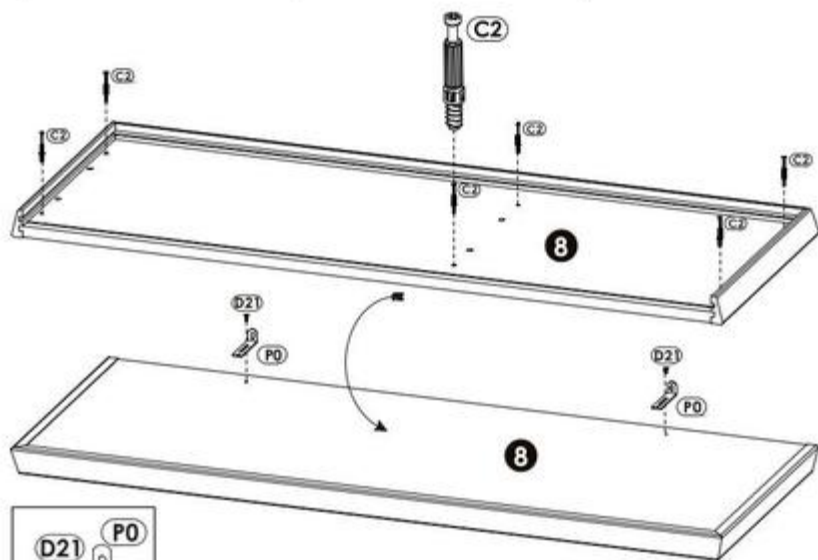
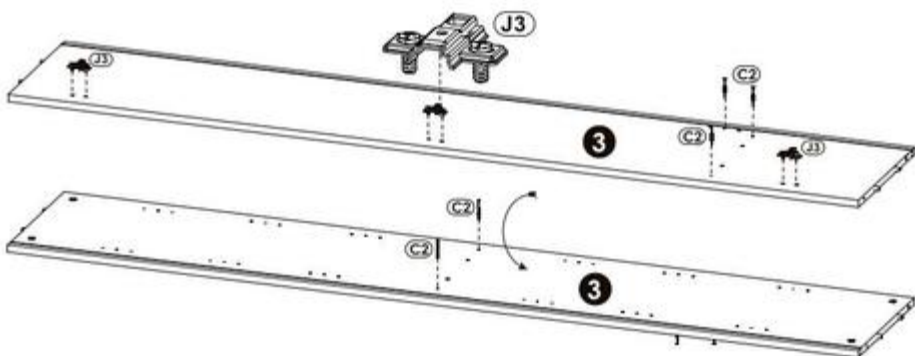
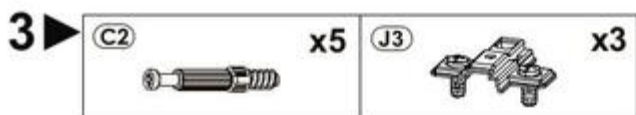
C0		x12	C2		x22	D0	3 x 15 mm 	x32
D10	4 x 16 mm 	x18	D21	5 x 13 mm 	x2	E0	5 x 50 mm 8 x 50 mm 	x2
H2	4 x 22 mm 	x4	H6	4 x 22 mm 	x2	J3		x9
J10		x6	J1		x3	L6		x2
M1		x32	P0		x2	P17		x1
Q3		x24	U2		x6			

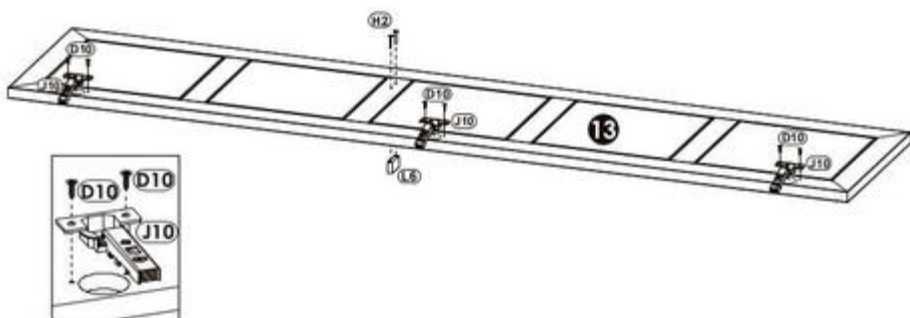
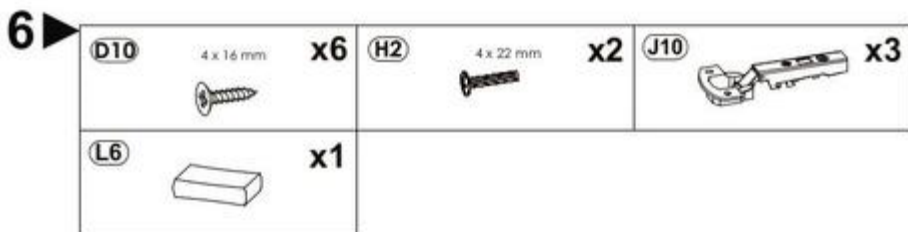
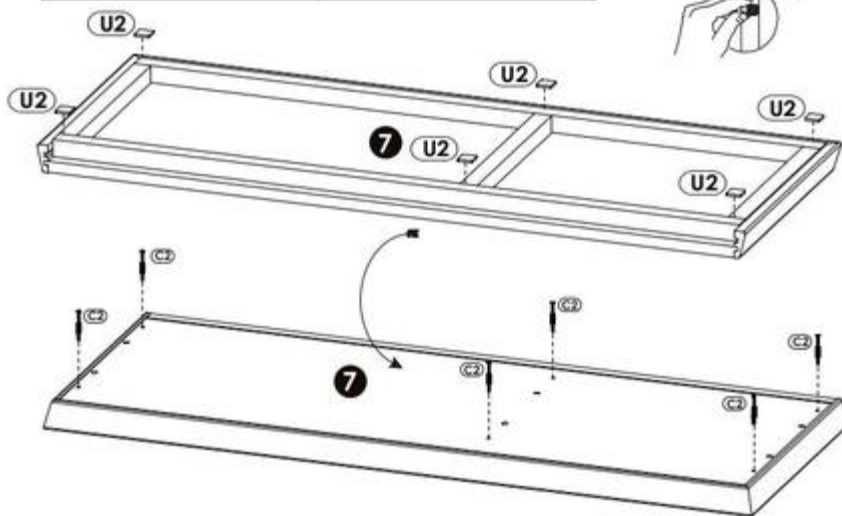


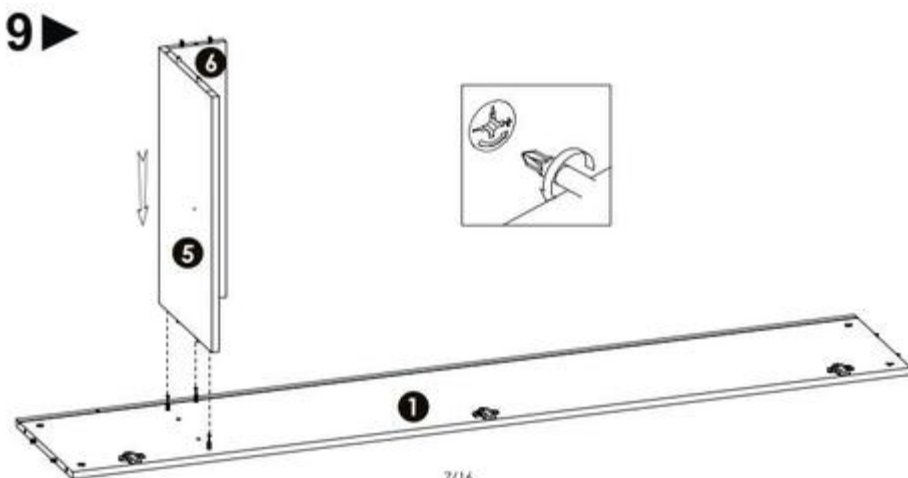
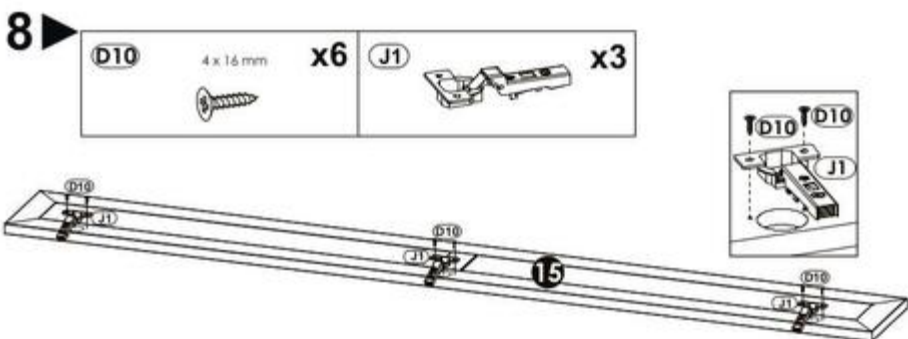
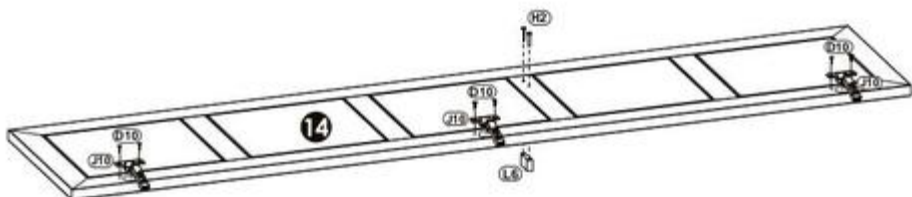
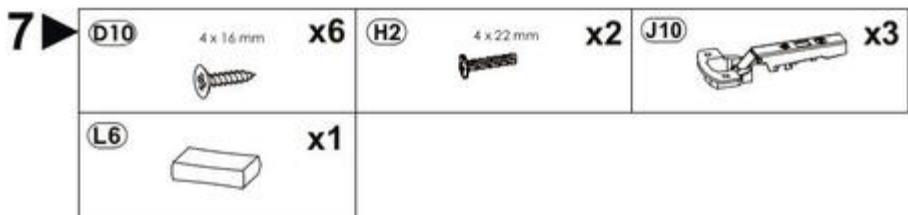
1	1909	348	16	x1	1/4
2	1909	348	16	x1	1/4
3	1909	348	16	x1	1/4
4	370	348	16	x1	1/4
5	582	328	16	x1	2/4
6	582	130	16	x1	1/4
7	1032	385	42	x1	3/4
8	1032	385	40	x1	3/4
9	1919	592	3	x1	1/4
10	380	967	3	x1	4/4
11	380	946	3	x1	4/4
12	370	328	16	x6	2/4
13	1880	390	25	x1	4/4
14	1880	390	25	x1	4/4
15	1880	210	22	x1	4/4
					2/4

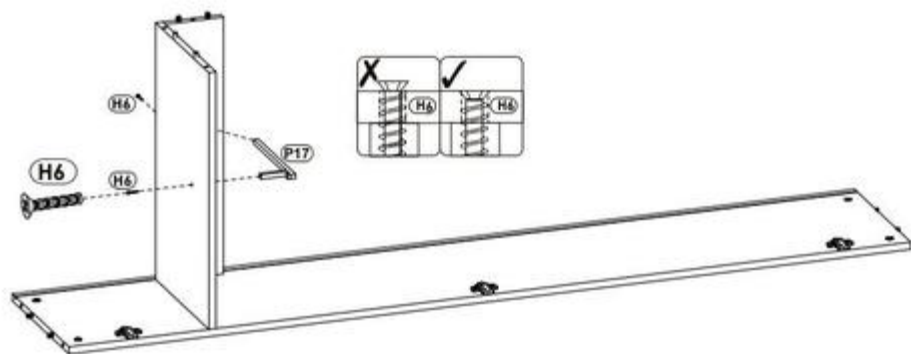
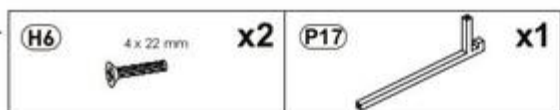
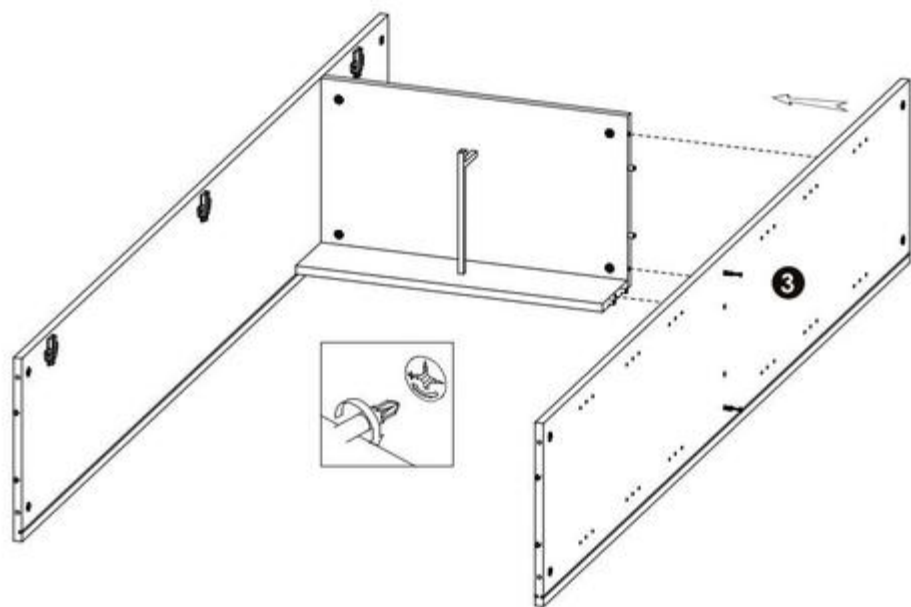




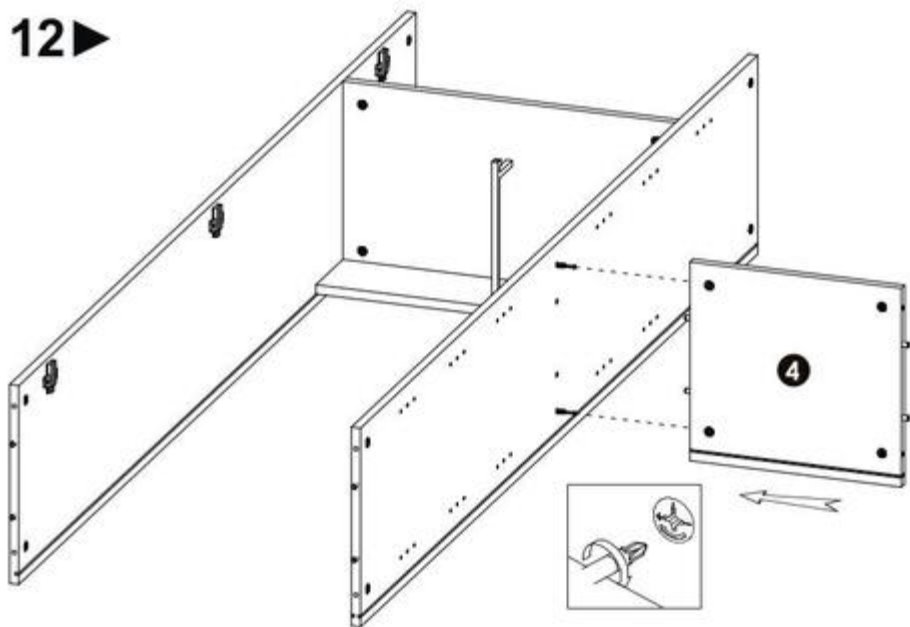




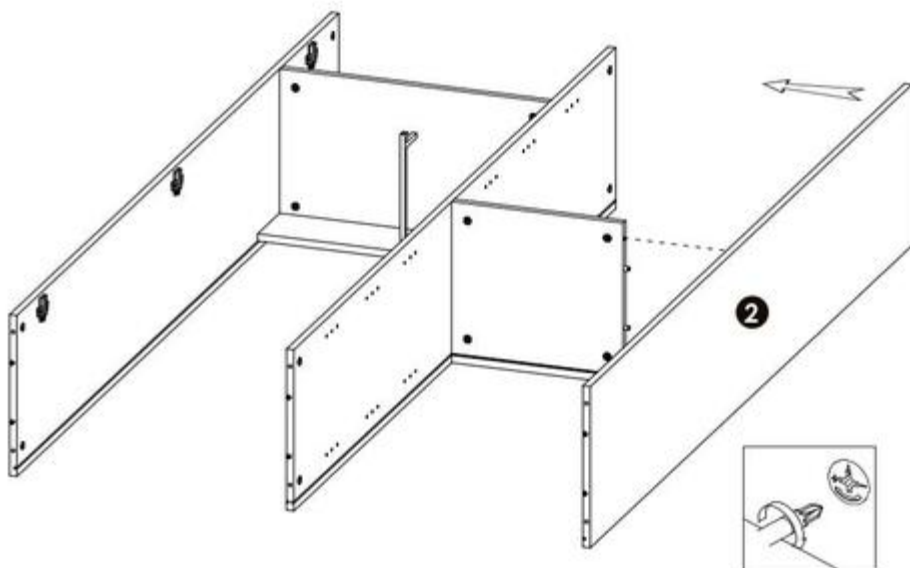


10 ▶**11** ▶

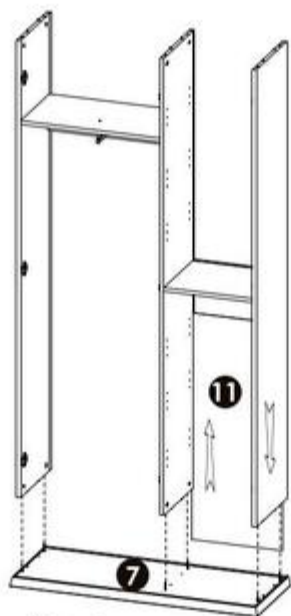
12 ▶



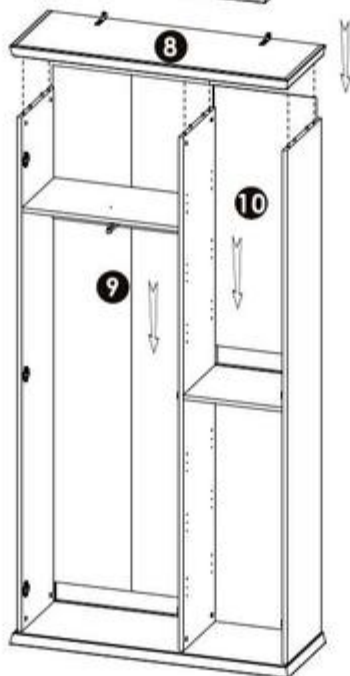
13 ▶



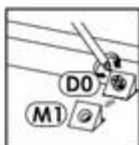
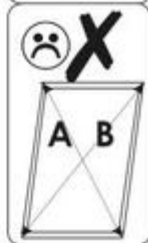
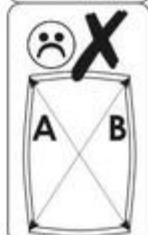
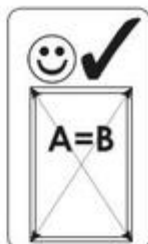
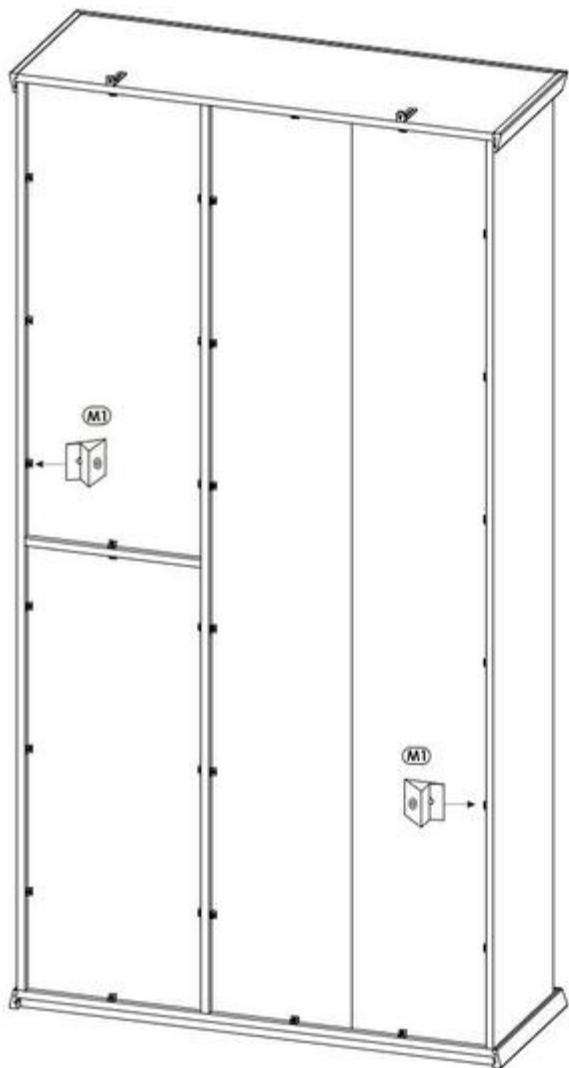
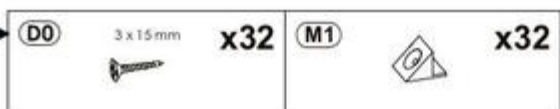
14 ▶



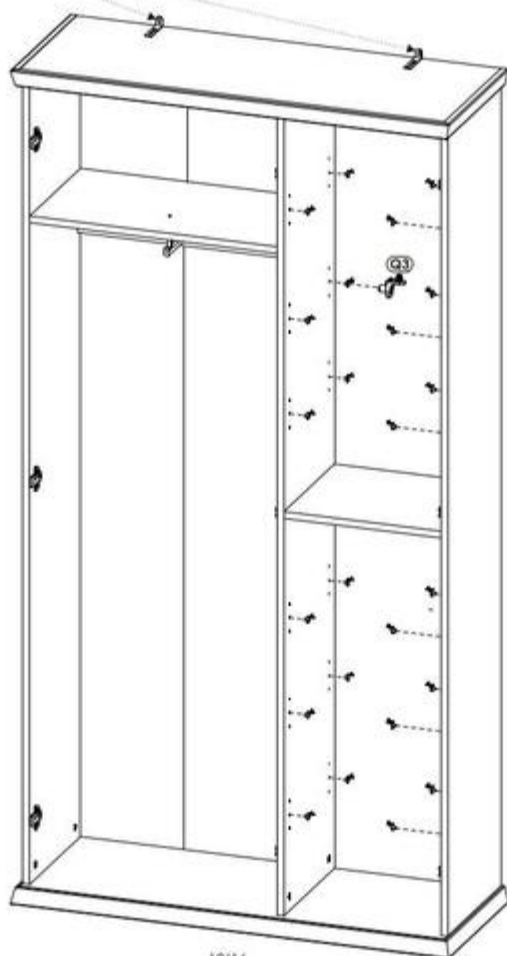
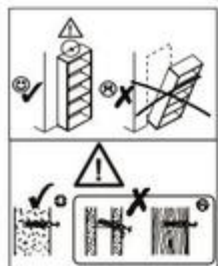
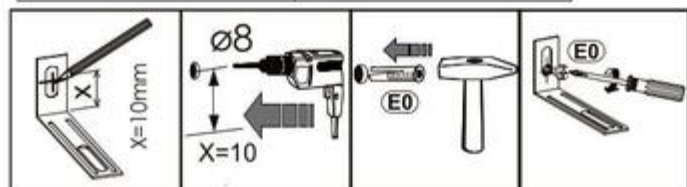
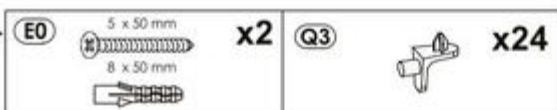
15 ▶



16 ▶



17



18 ▶**C0****x12**