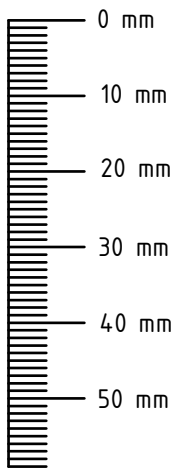
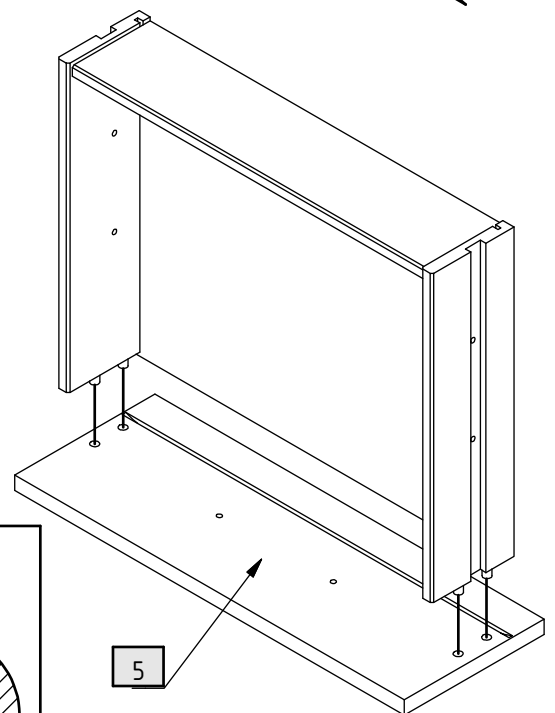
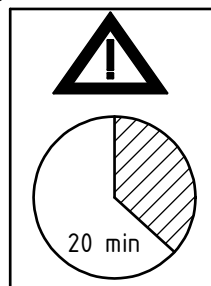
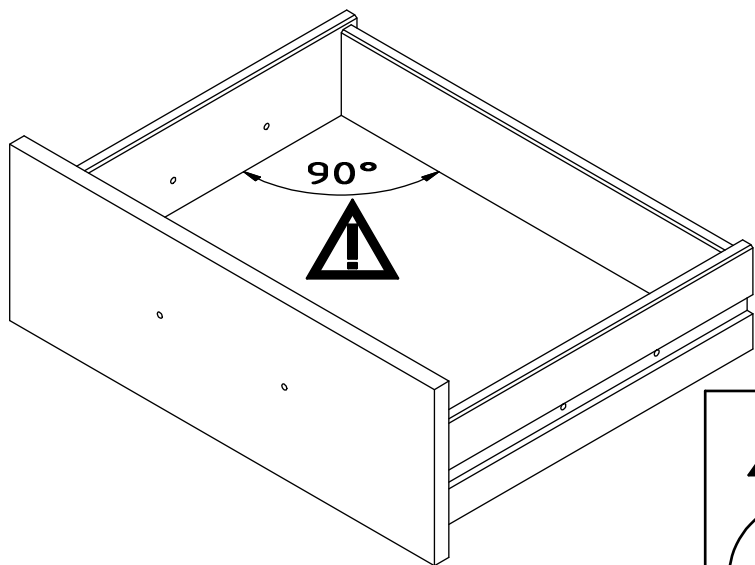
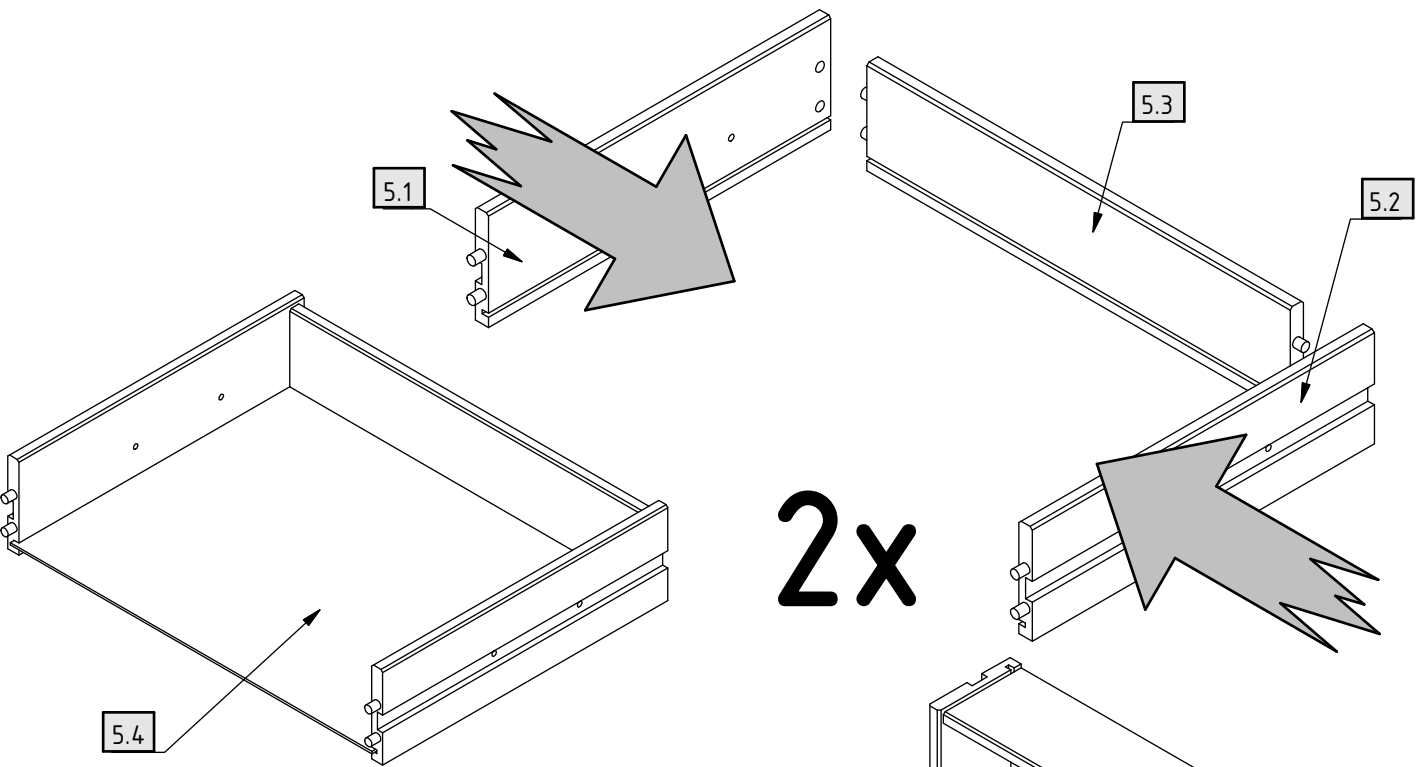
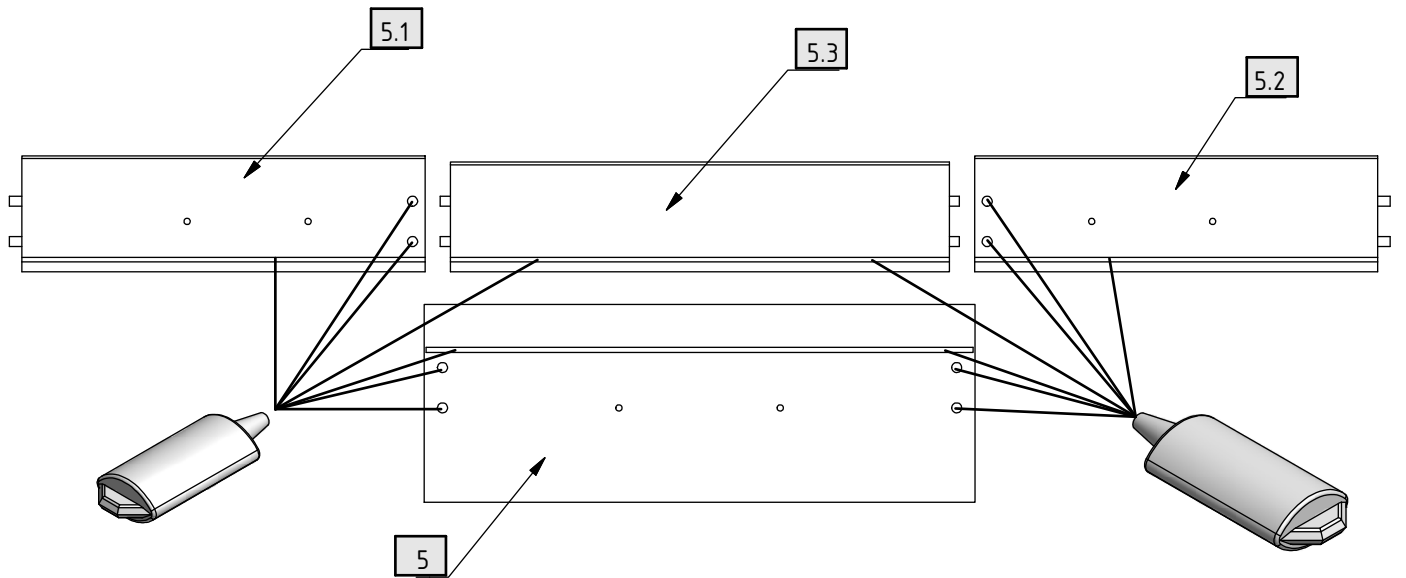


5 + 5.1 + 5.2 + 5.3 + 5.4  
2x

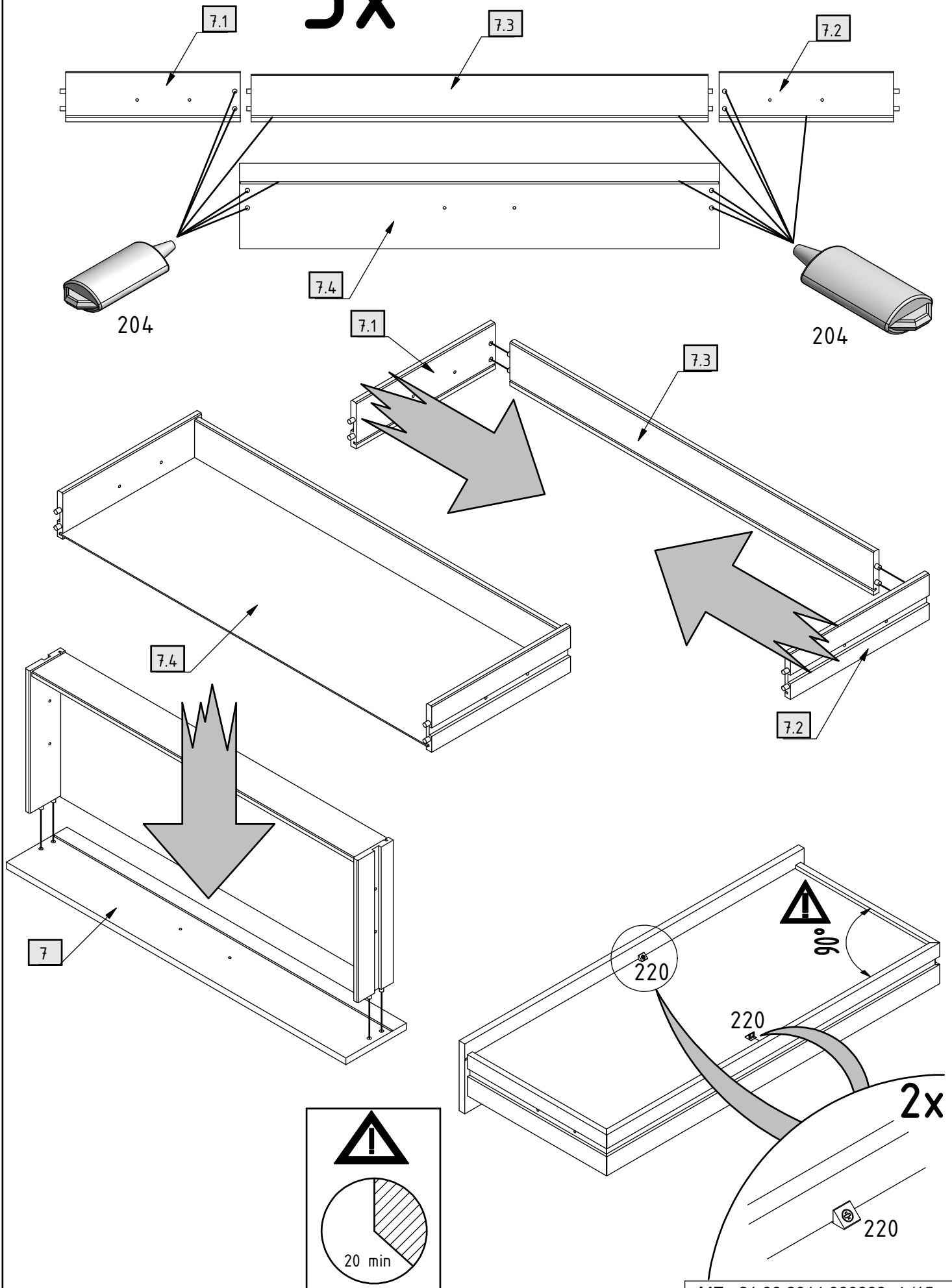
7 + 7.1 + 7.2 + 7.3 + 7.4  
5x



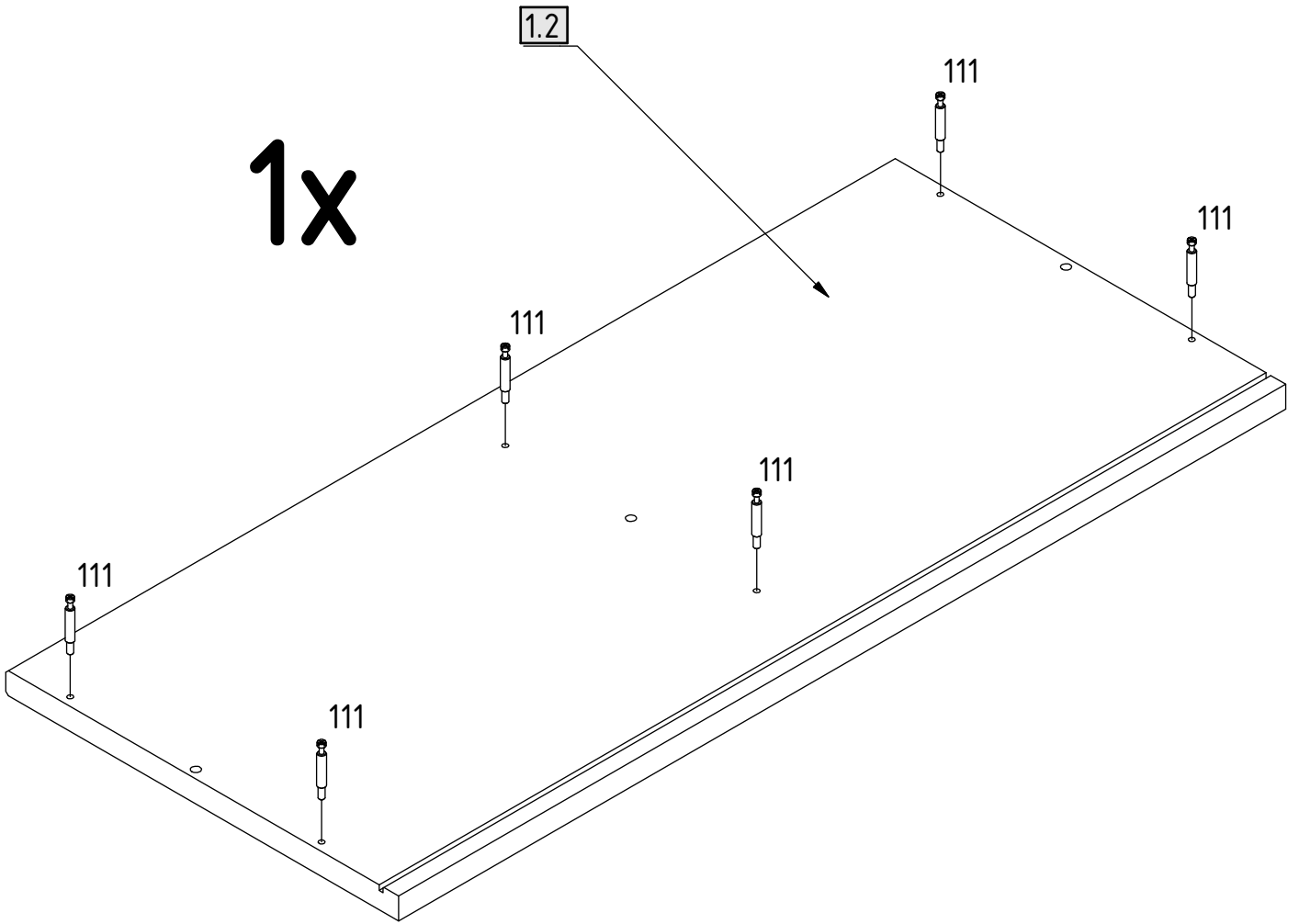
111	10		305	28		6 x 9 mm
120	10		352	4		4 x 20 mm
190	5		377	14		4 x 25 mm
204	5		408	14		M4 x 9 mm
215	14		503	7		
220	14		737	4		

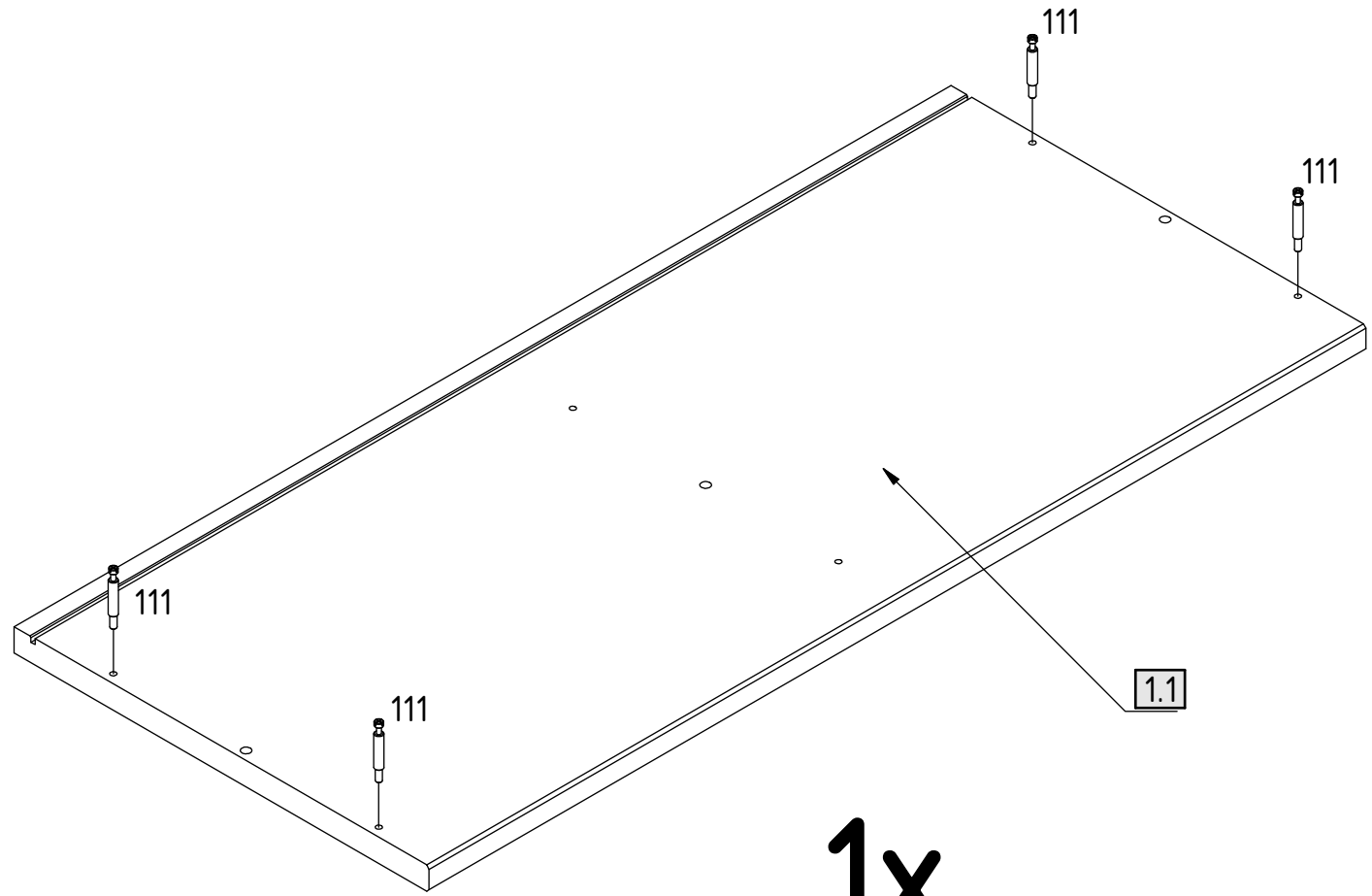
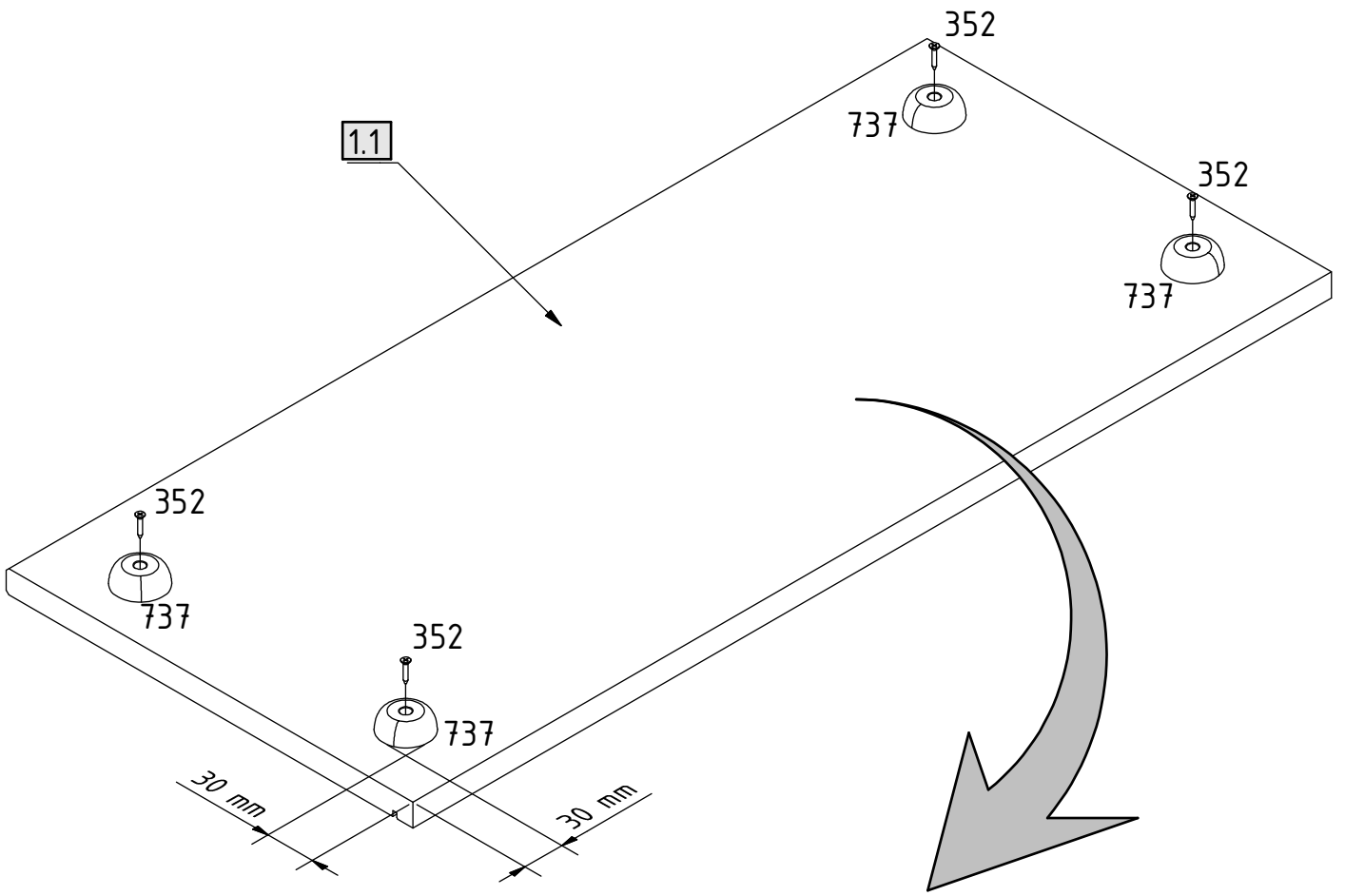


# 5x



1x





1x



2

ca. 90 mm

190

120

120

305

215

215

305

215

215

215

215

120

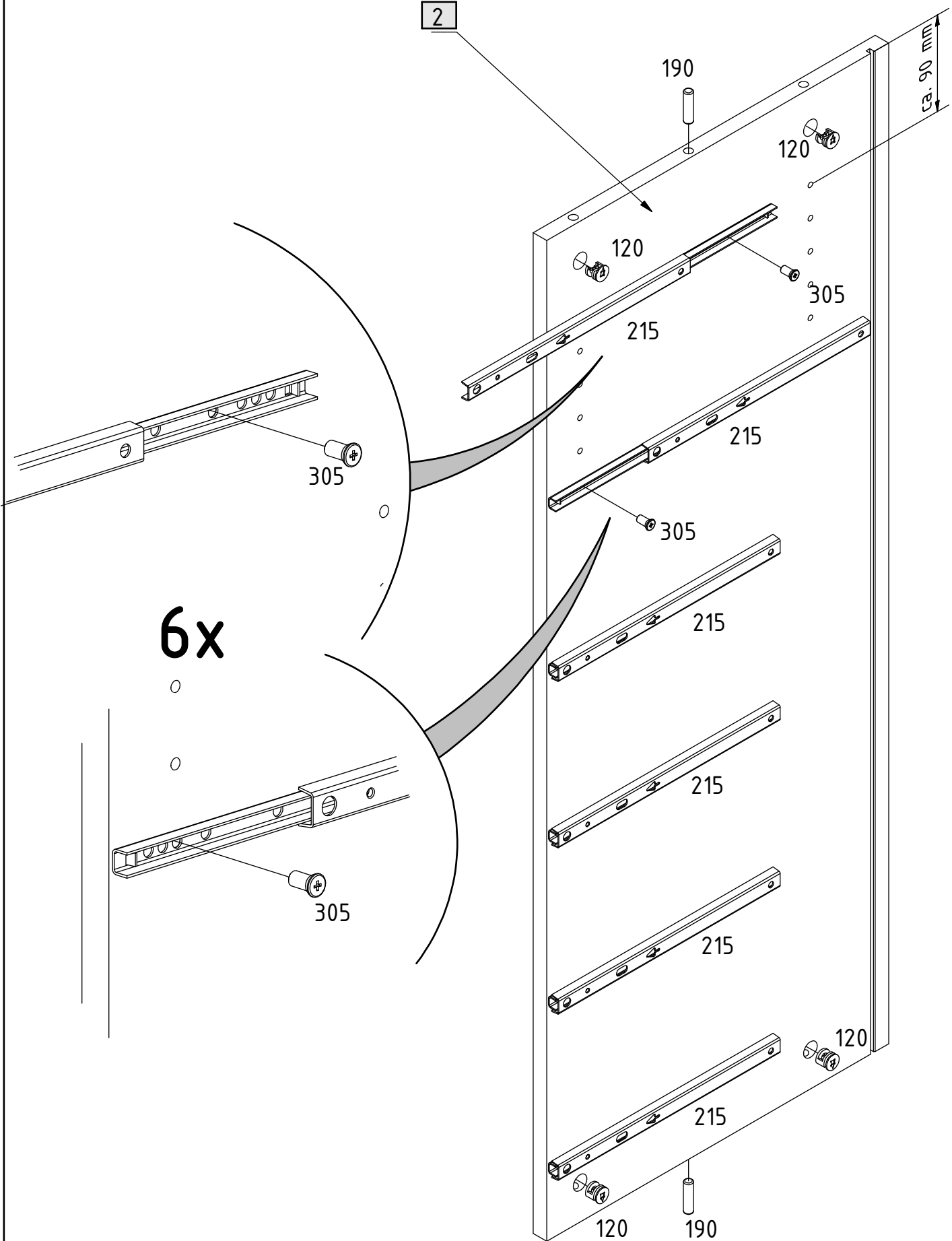
120

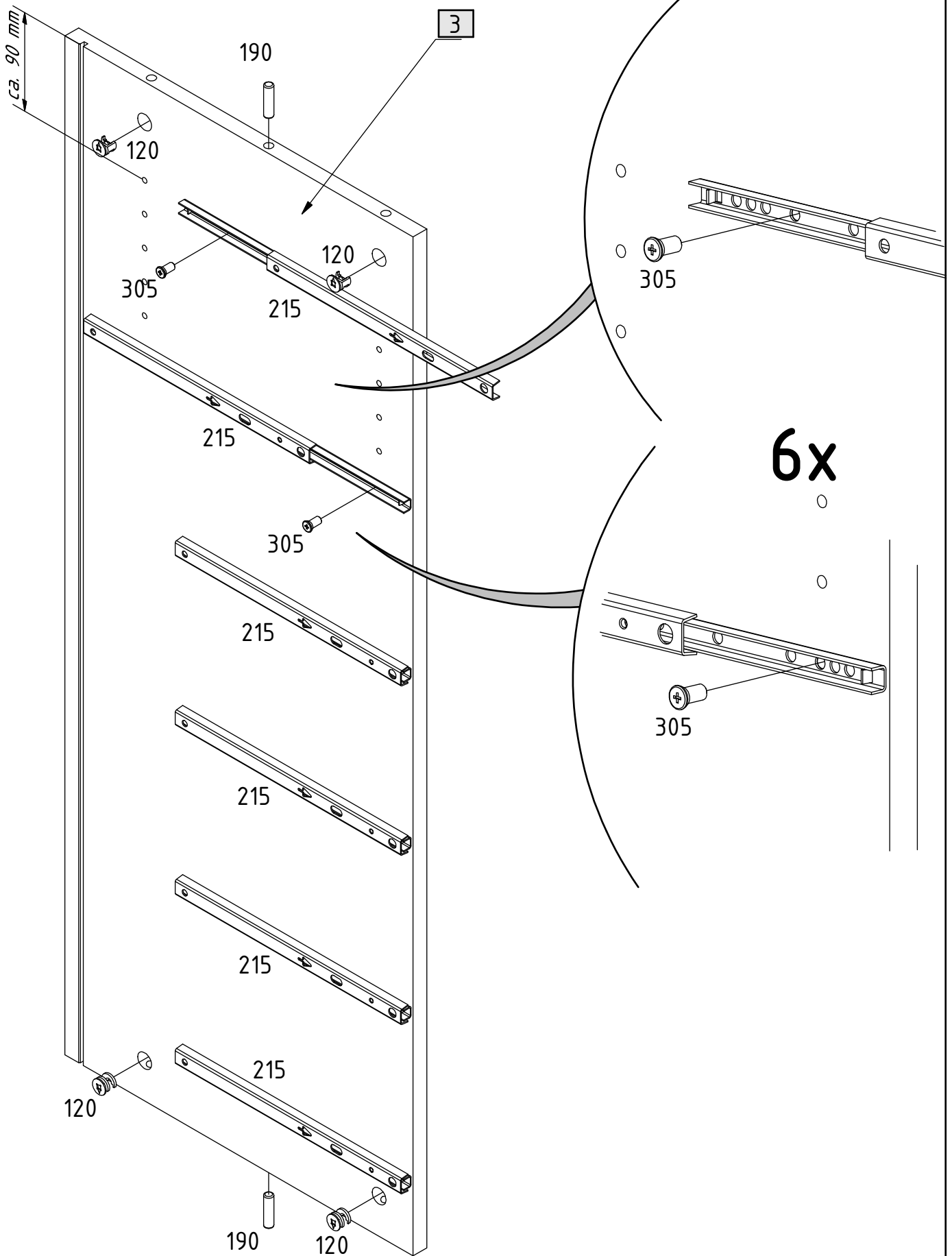
190

305

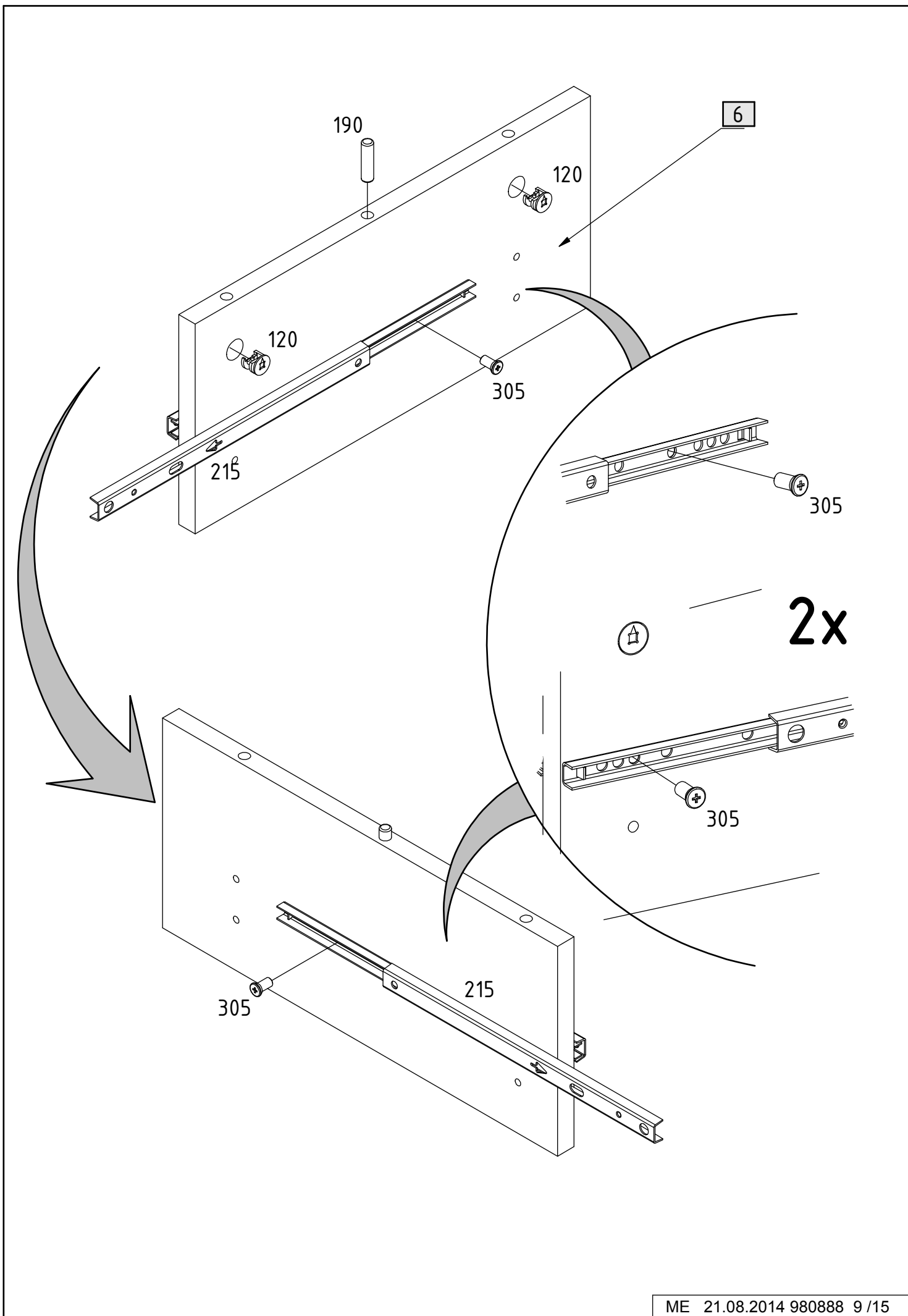
6x

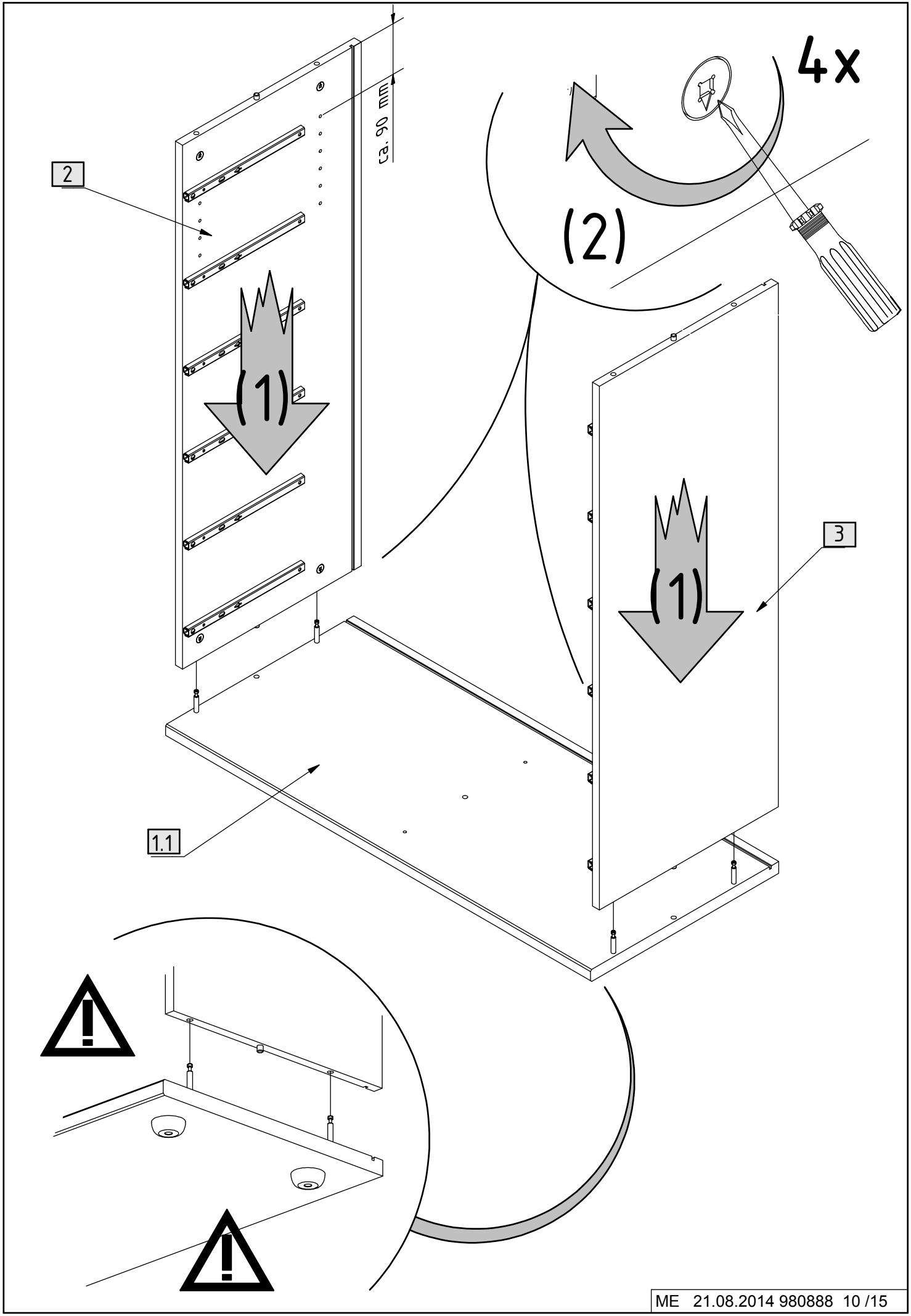
305

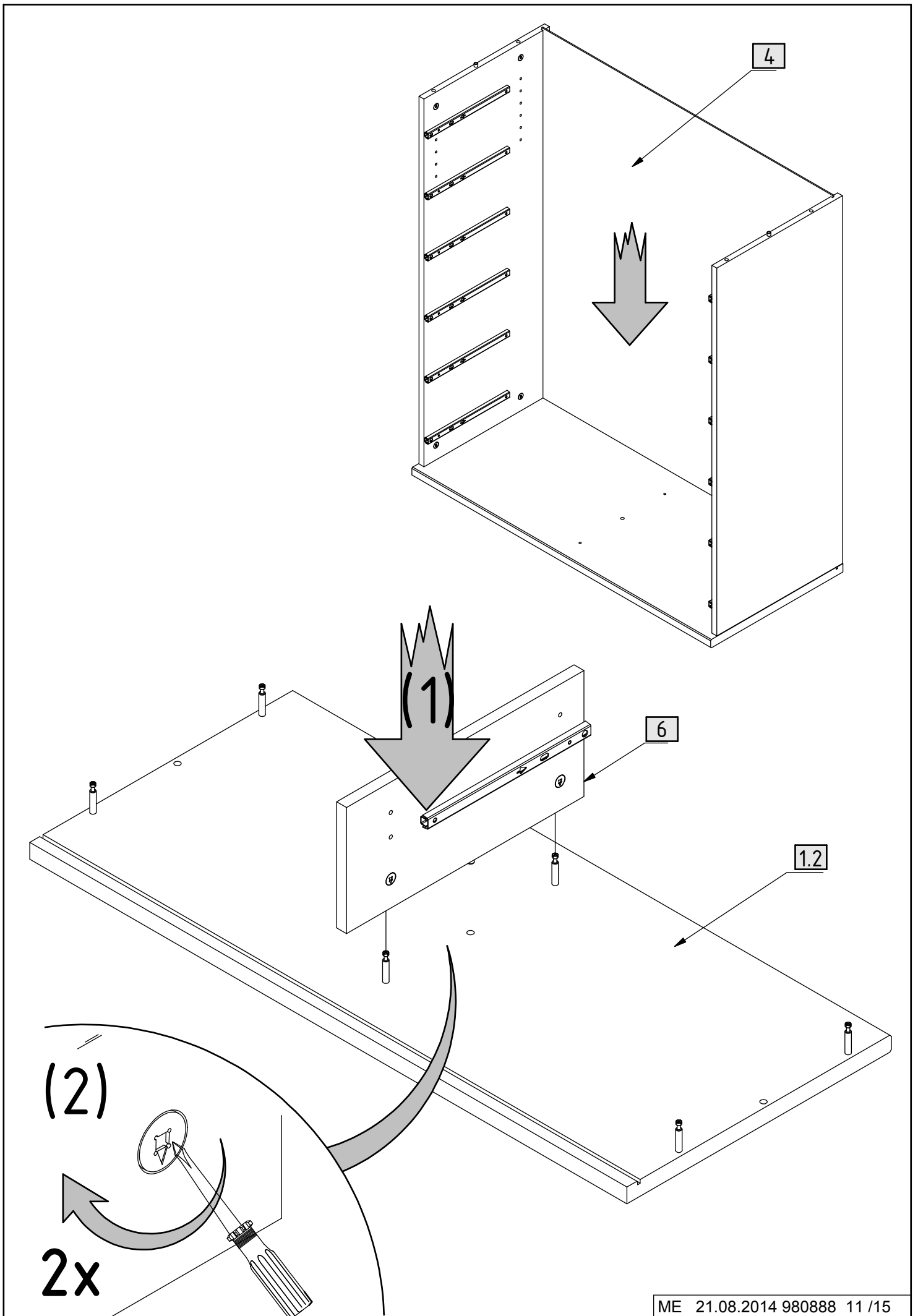


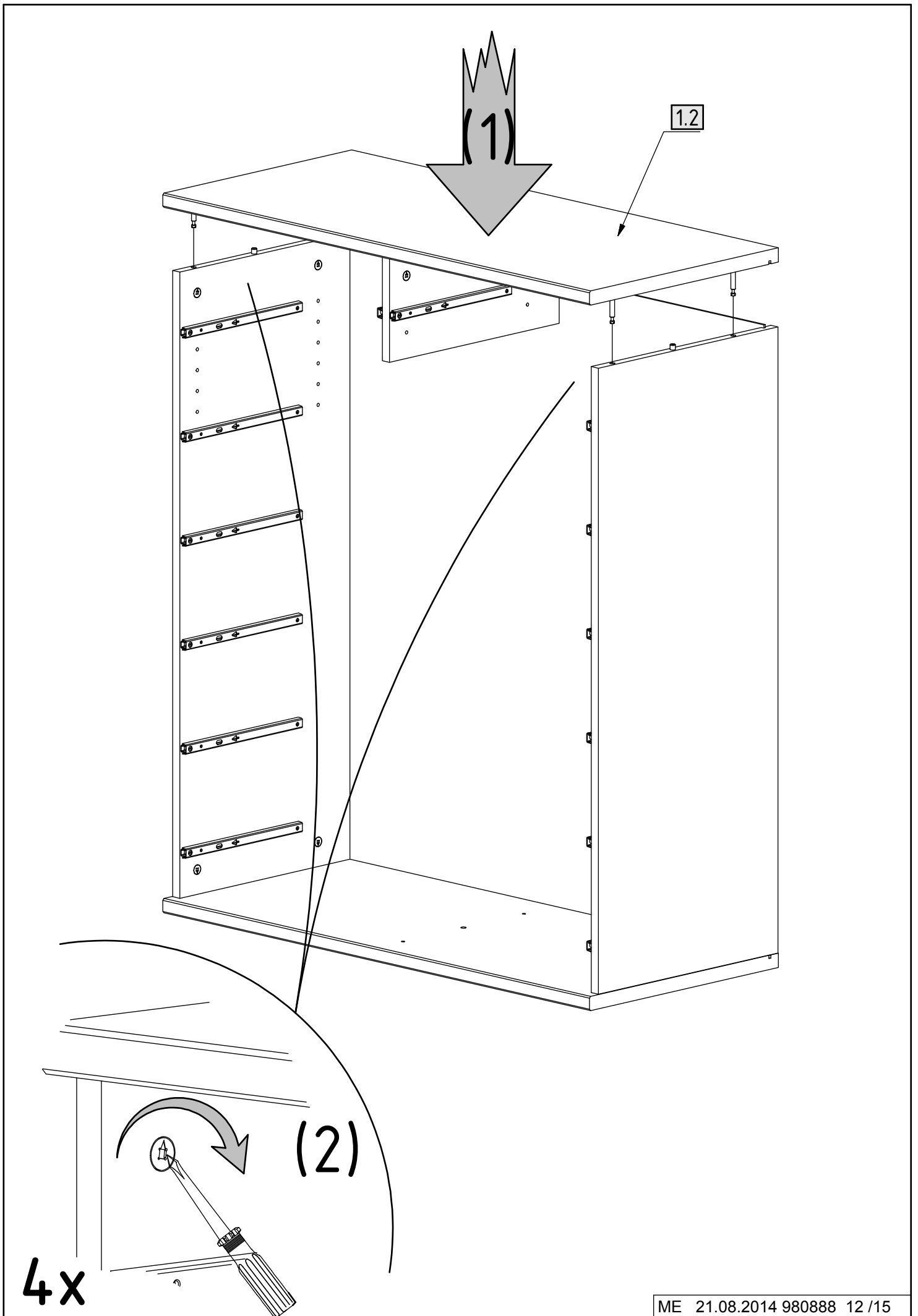


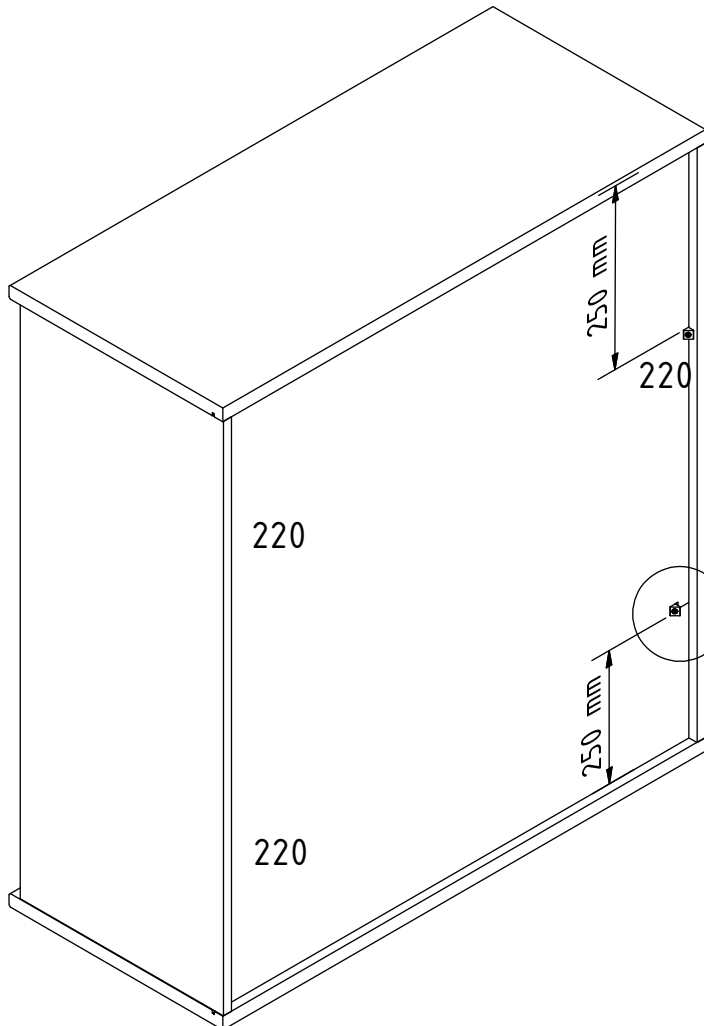
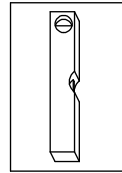
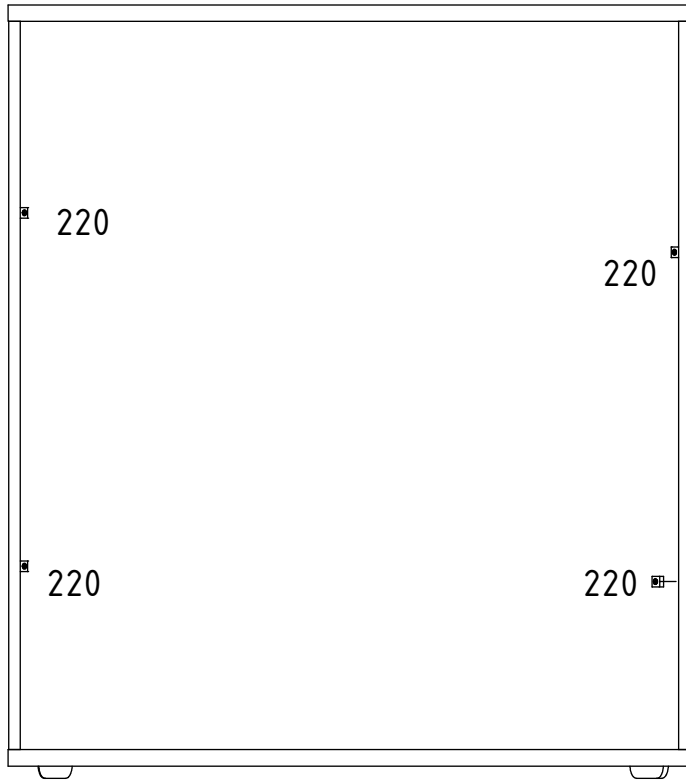
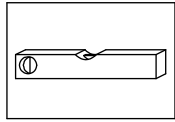




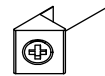




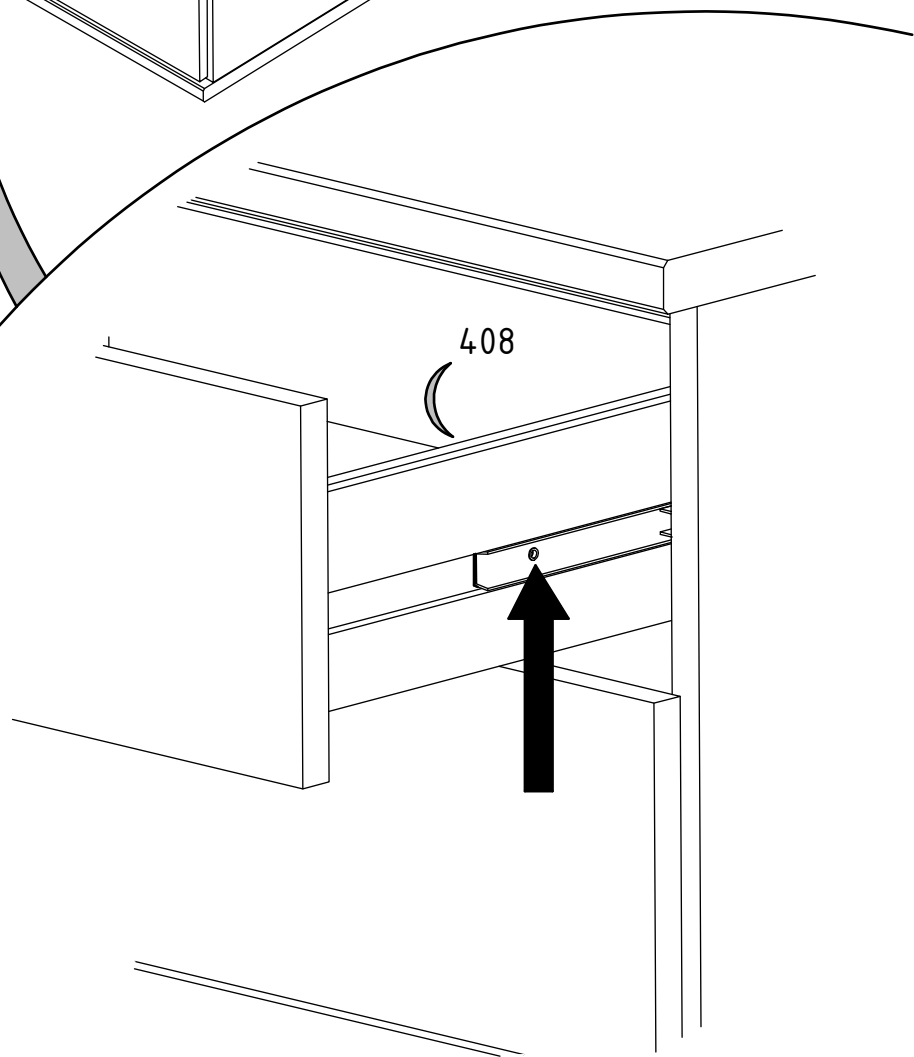
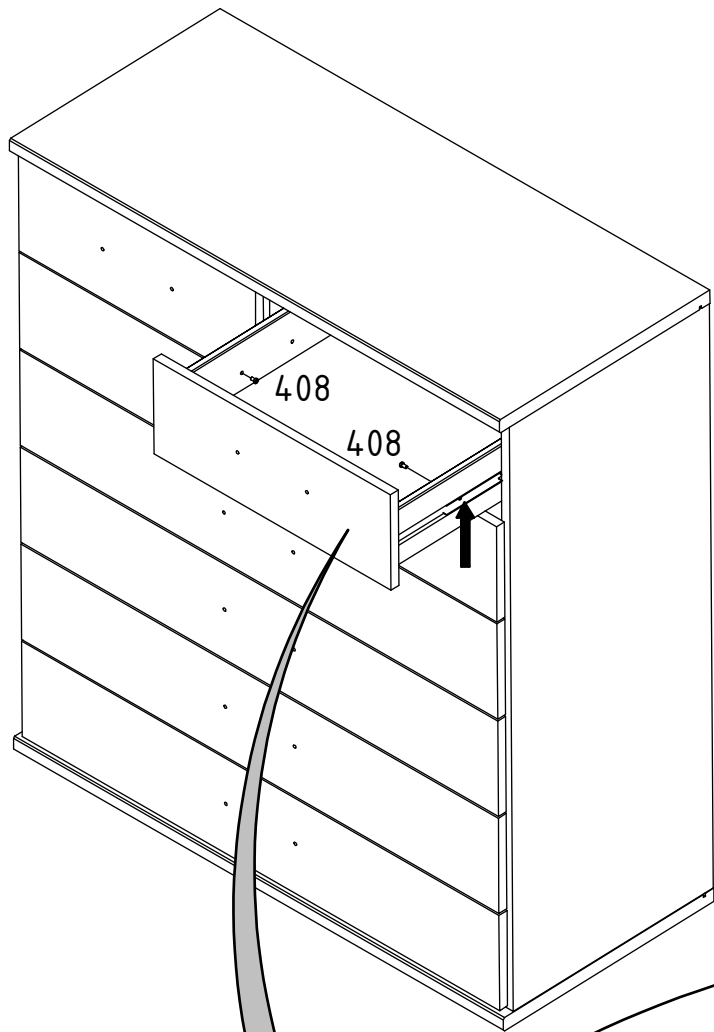




4x



220



**7x**

7x

