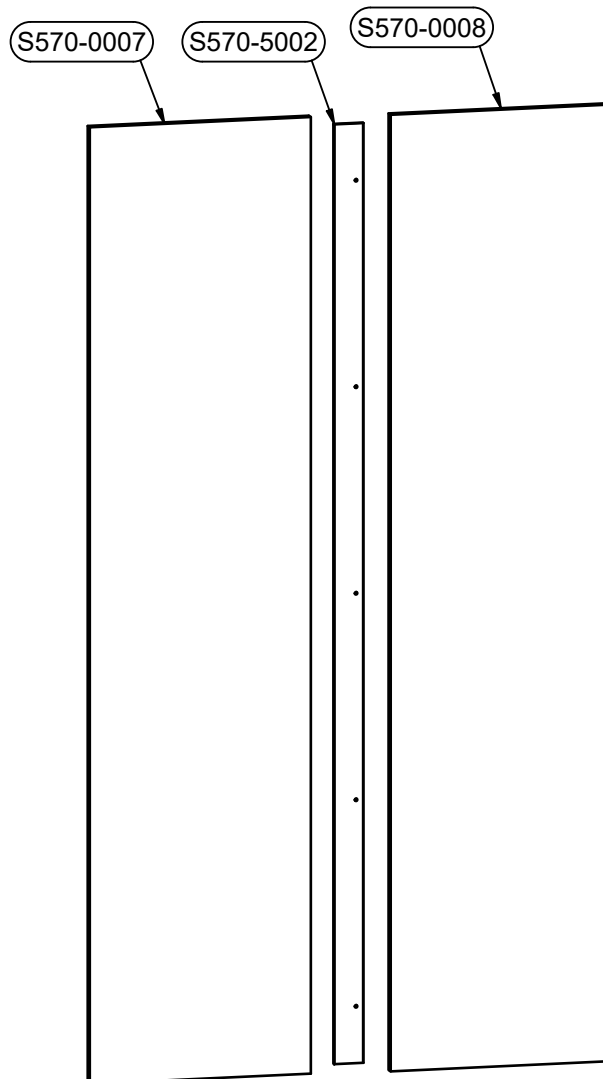
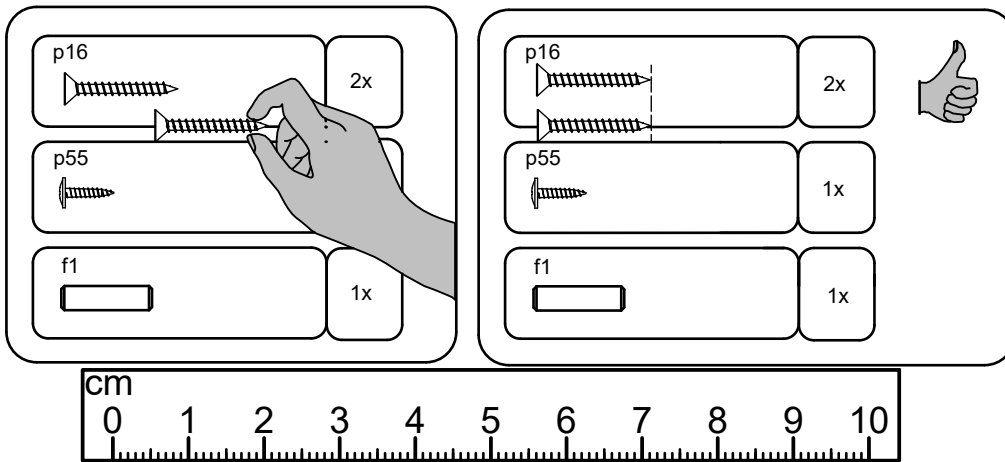
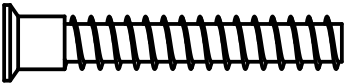
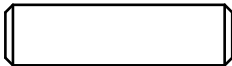

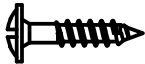

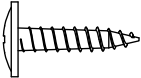
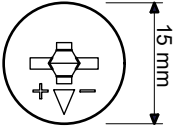
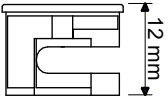
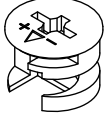
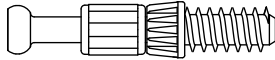
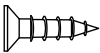


B1	B2	C1	C2	C3	C4	D
S570-0007	-.1	1927	454	16	1	4/4
S570-0008	-	1927	454	16	1	4/4
S570-1020	-.1	1932	562	16	1	2/4
S570-1021	-.1	1932	562	16	1	2/4
S570-2026	-.1	940	580	22	1	1/4
S570-2027	-.1	940	580	22	1	1/4
S570-2029	-	910	562	12	2	2/4
S570-3021	-	906	542	16	2	2/4
S570-3023	-.1	906	534	16	1	1/4
S570-5002	-	1893	60	6	1	4/4
S570-9307	-	1926	915	2,5	1	4/4

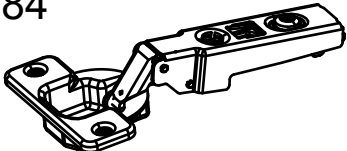
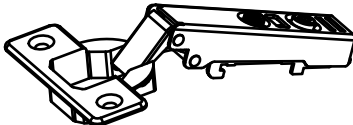
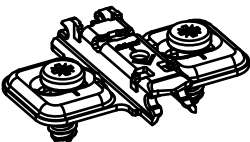
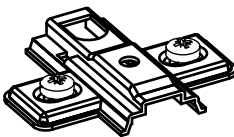
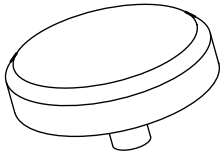
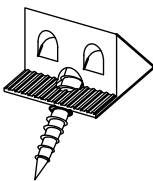
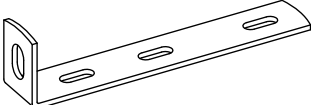
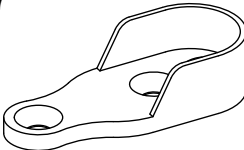
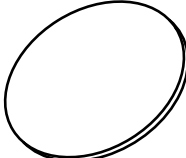
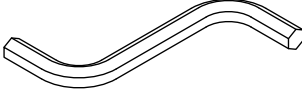
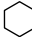
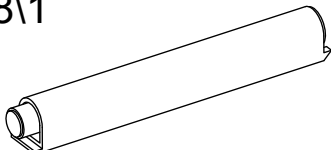
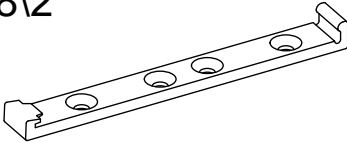
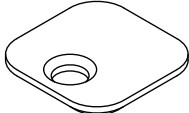





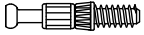
1:1

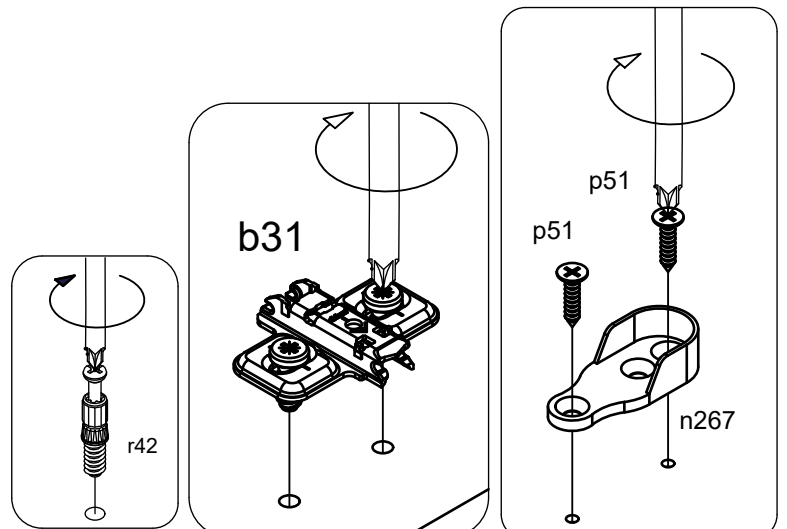
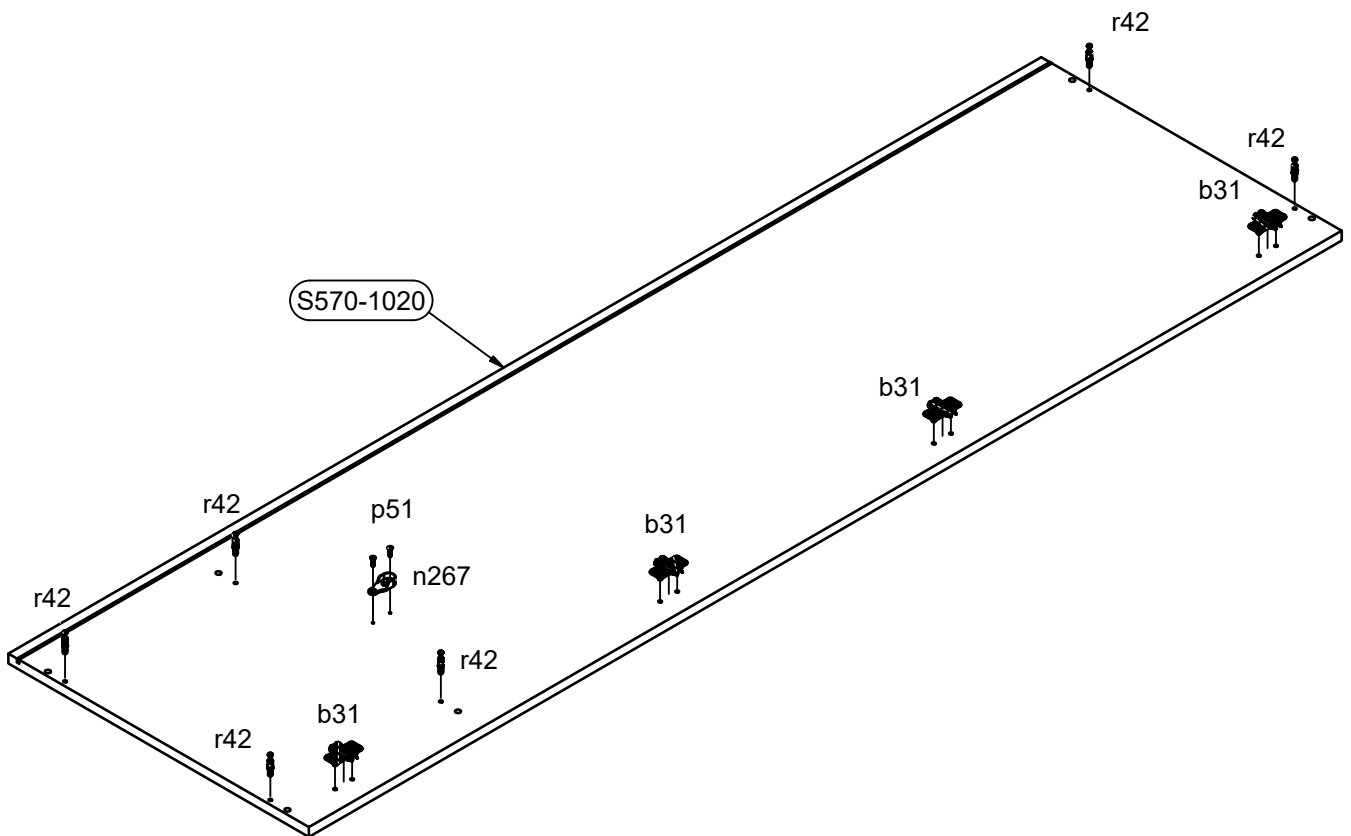


<p>e40</p>  <p>Ø7x45 mm</p>	<p>8x</p>	<p>f1</p>  <p>30mm</p>	<p>12x</p>
<p>f13</p>  <p>Ø8x20 mm</p>	<p>4x</p>	<p>p38</p>  <p>Ø3,5x16 mm</p>	<p>7x</p>
<p>p51</p>  <p>3.5x15mm</p>	<p>20x</p>	<p>p55</p>  <p>2.9x16mm</p>	<p>20x</p>
<p>r1</p>  <p>15 mm</p>  <p>12 mm</p>  <p>15x12mm</p>	<p>12x</p>	<p>r42</p> 	<p>12x</p>
<p>z28\4</p>  <p>3x12mm</p>	<p>3x</p>		

~~1:1~~

a84		4x	a204		4x
b31		4x	b90		4x
k43	 fi48x10mm	4x	l2		12x
n14\2		1x	n267		2x
s68	 Ø20mm	4x	z1	  4mm	1x
z28\1		1x	z28\2		1x
z28\3		1x			

n267 	1x	p51  Ø3.5x15 mm	2x	b31 	4x	r42 	6x
---	----	--	----	--	----	--	----

1 

A**S570-SZF2D**

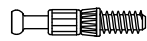
9 / 20

b90



4x

r42



6x

n267



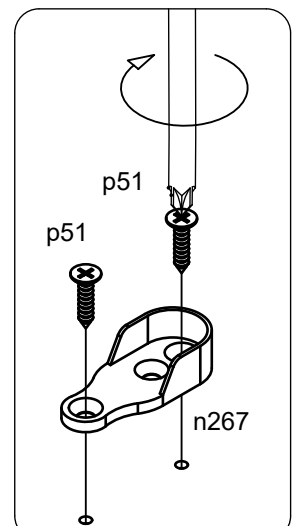
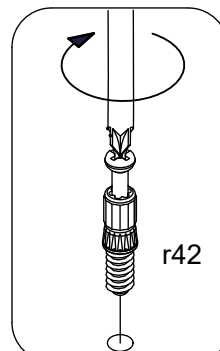
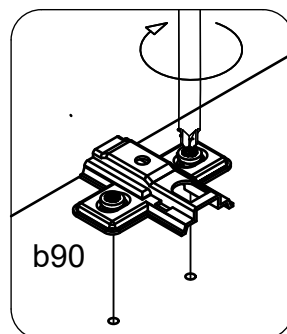
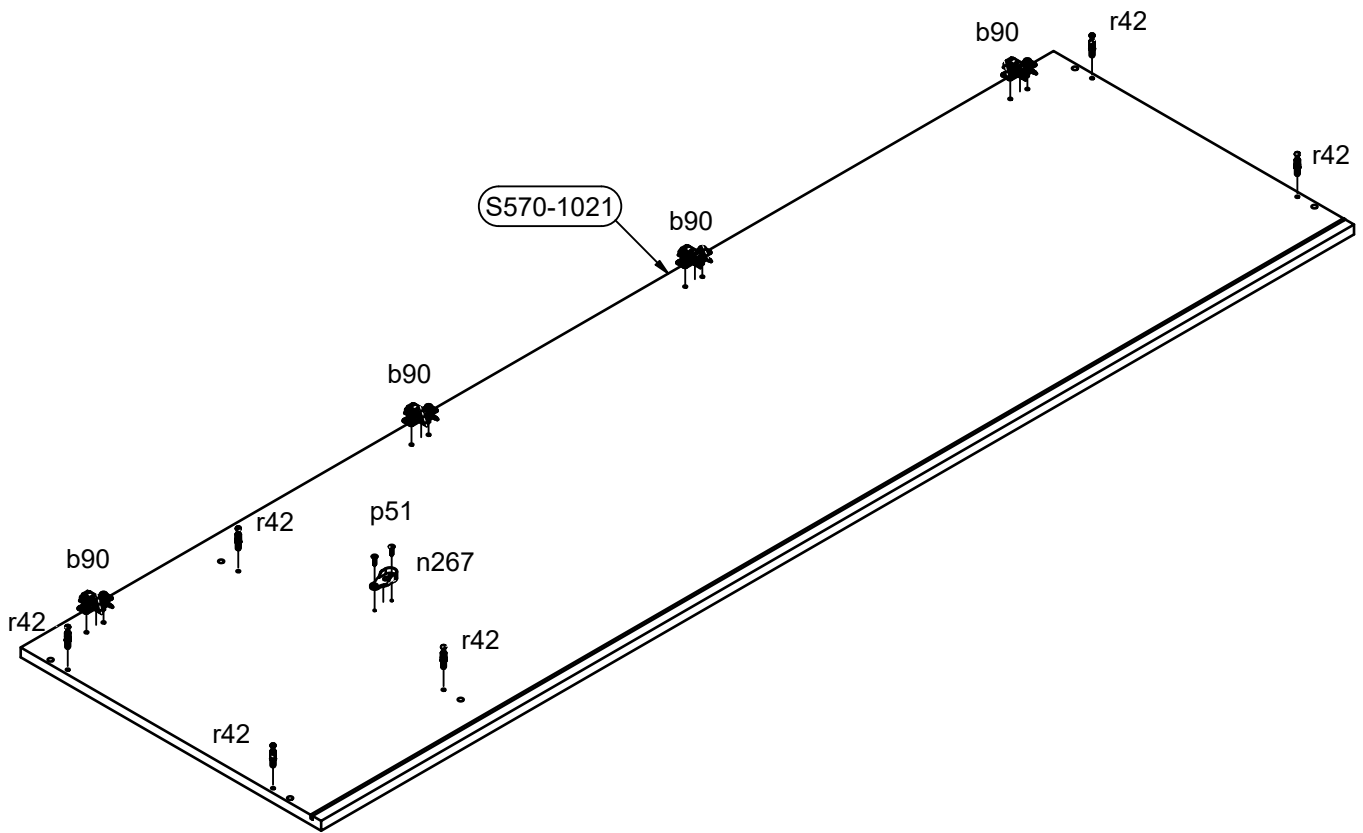
1x

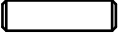
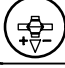

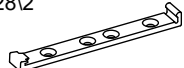


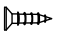
p51

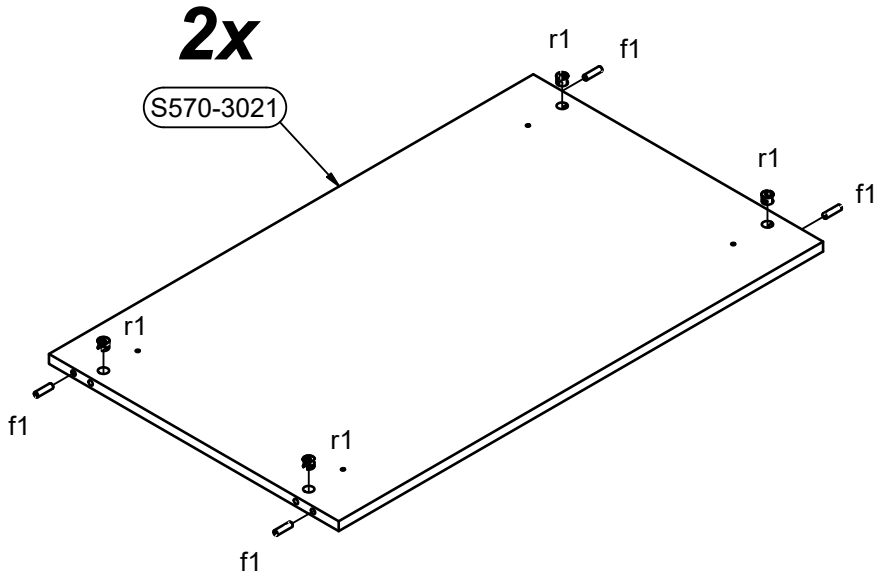


Ø3.5x15 mm

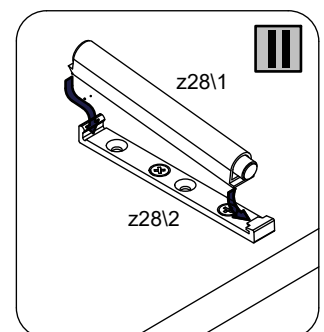
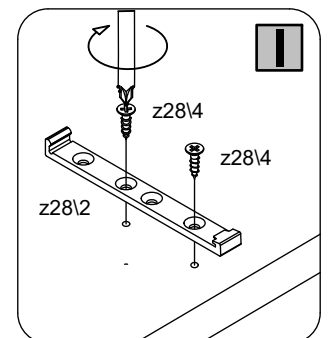
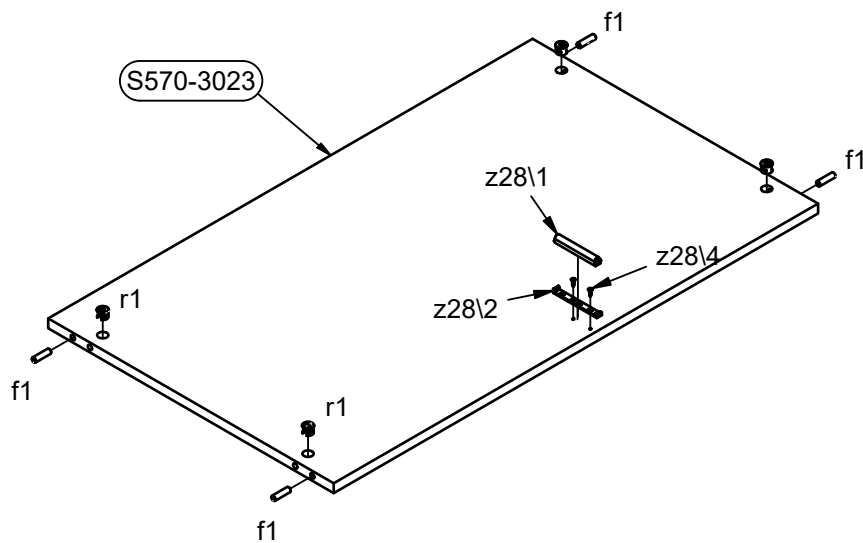
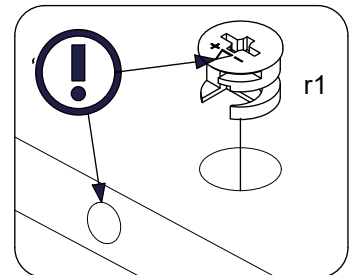
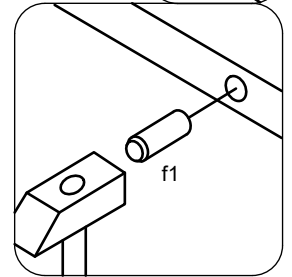
2x

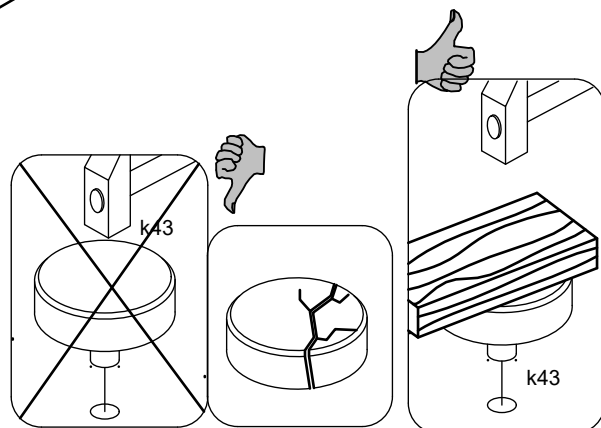
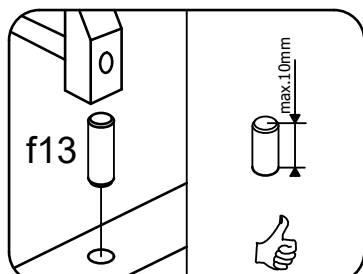
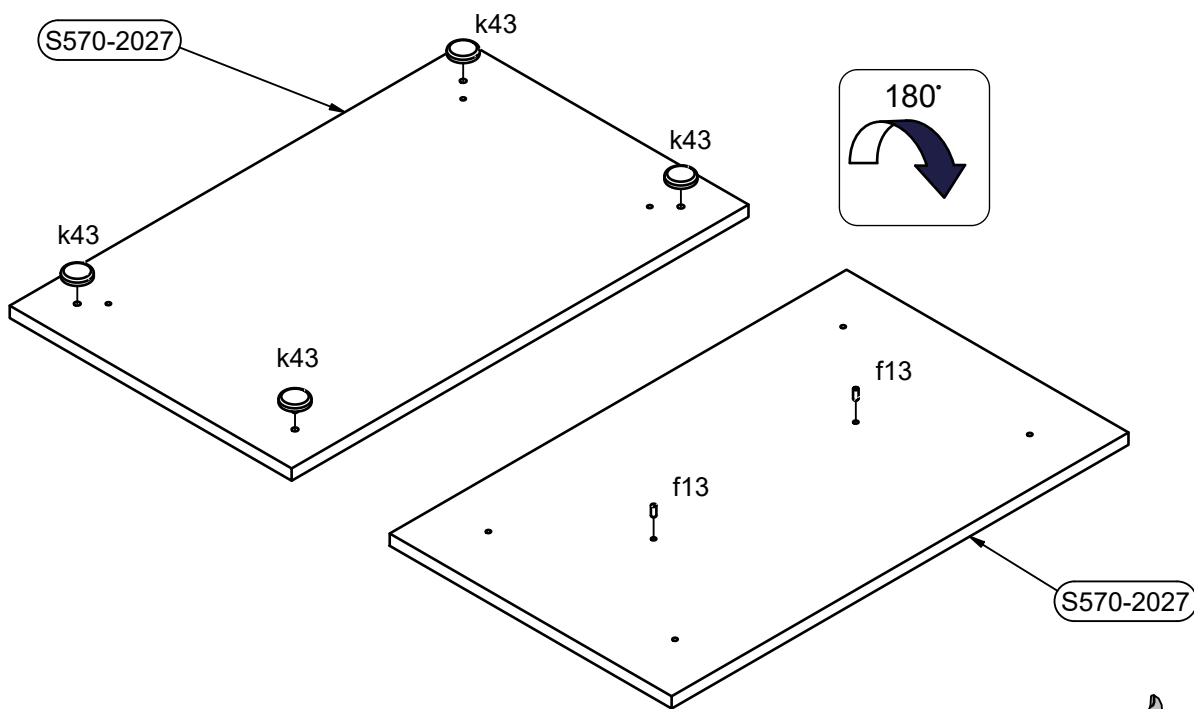
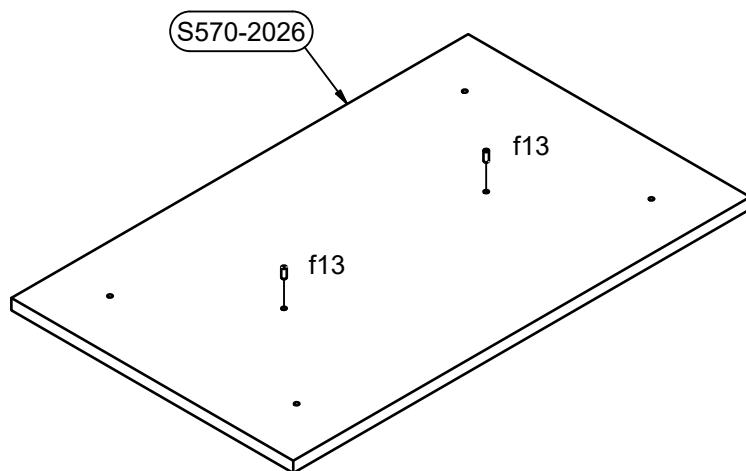
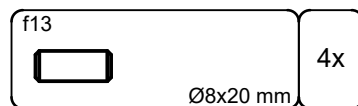
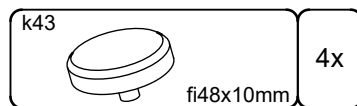
2


f1  30mm	12x	r1   15x12mm	12x	z28\2 	1x	z28\1 	1x	
3 							z28\4  3x12mm	2x

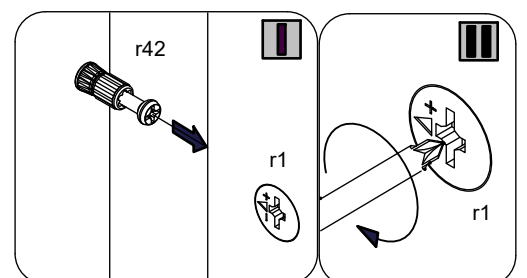
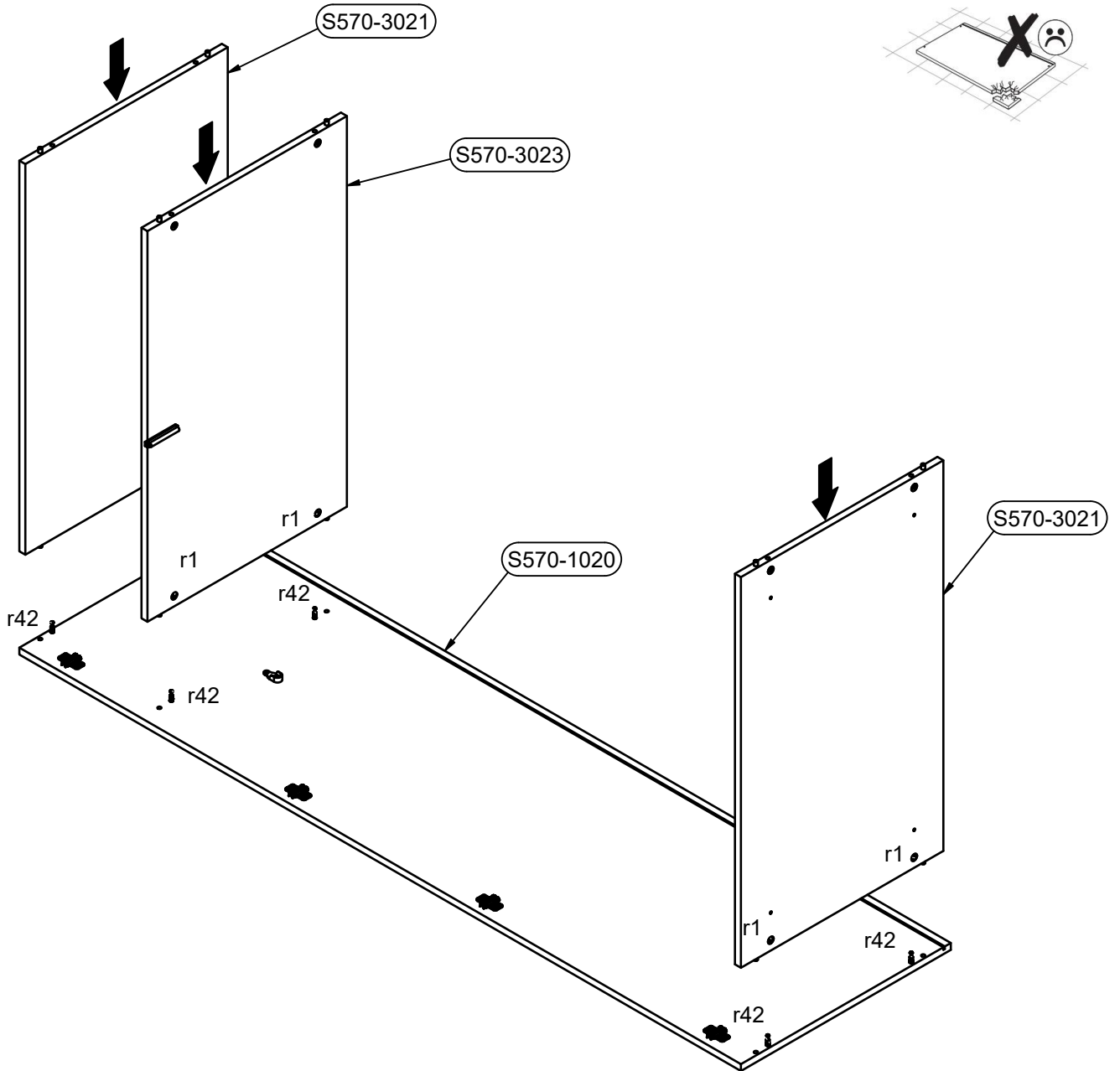
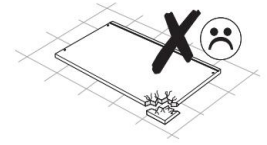
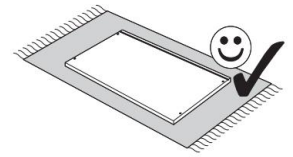


max. 10mm

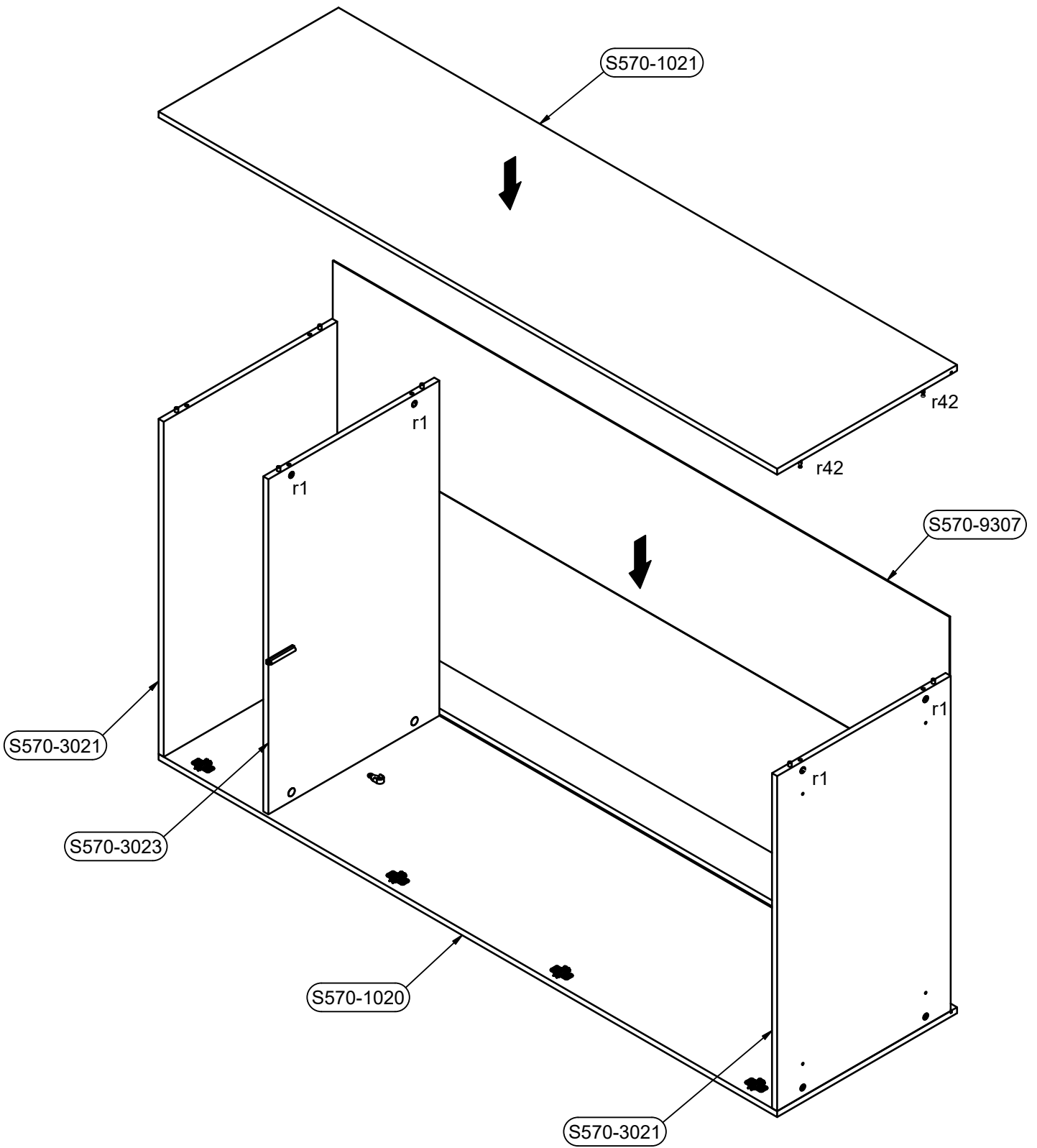




5

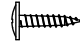



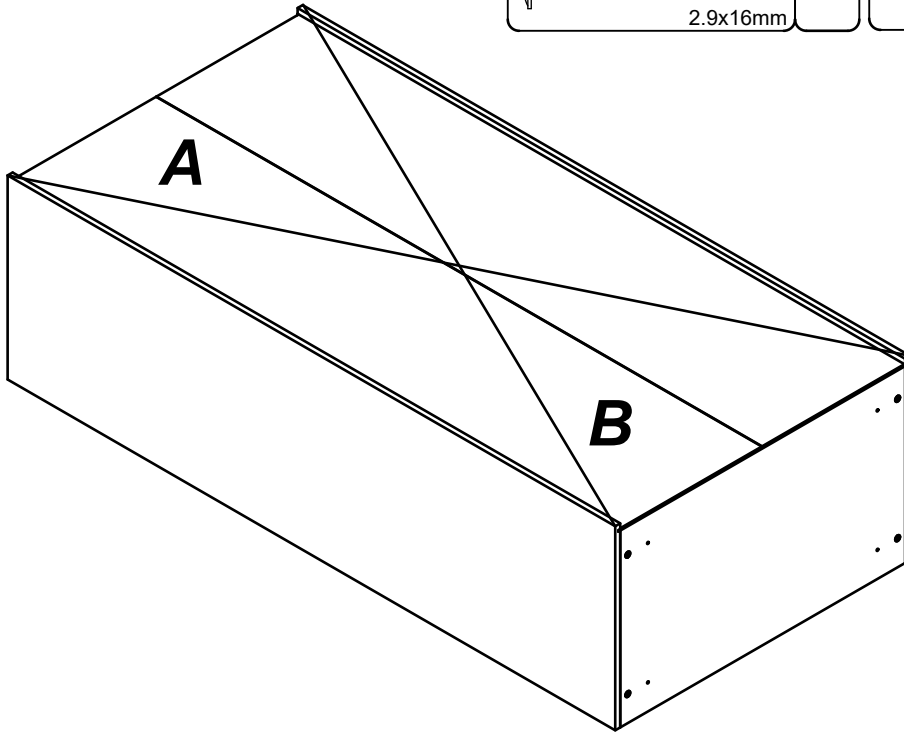
6



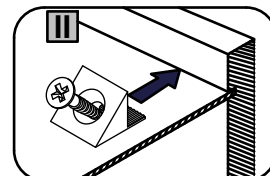
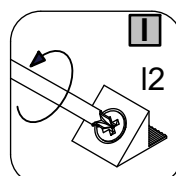
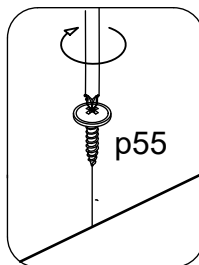
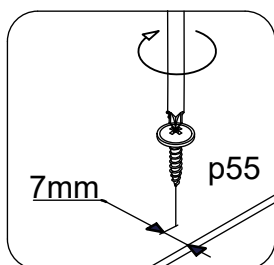
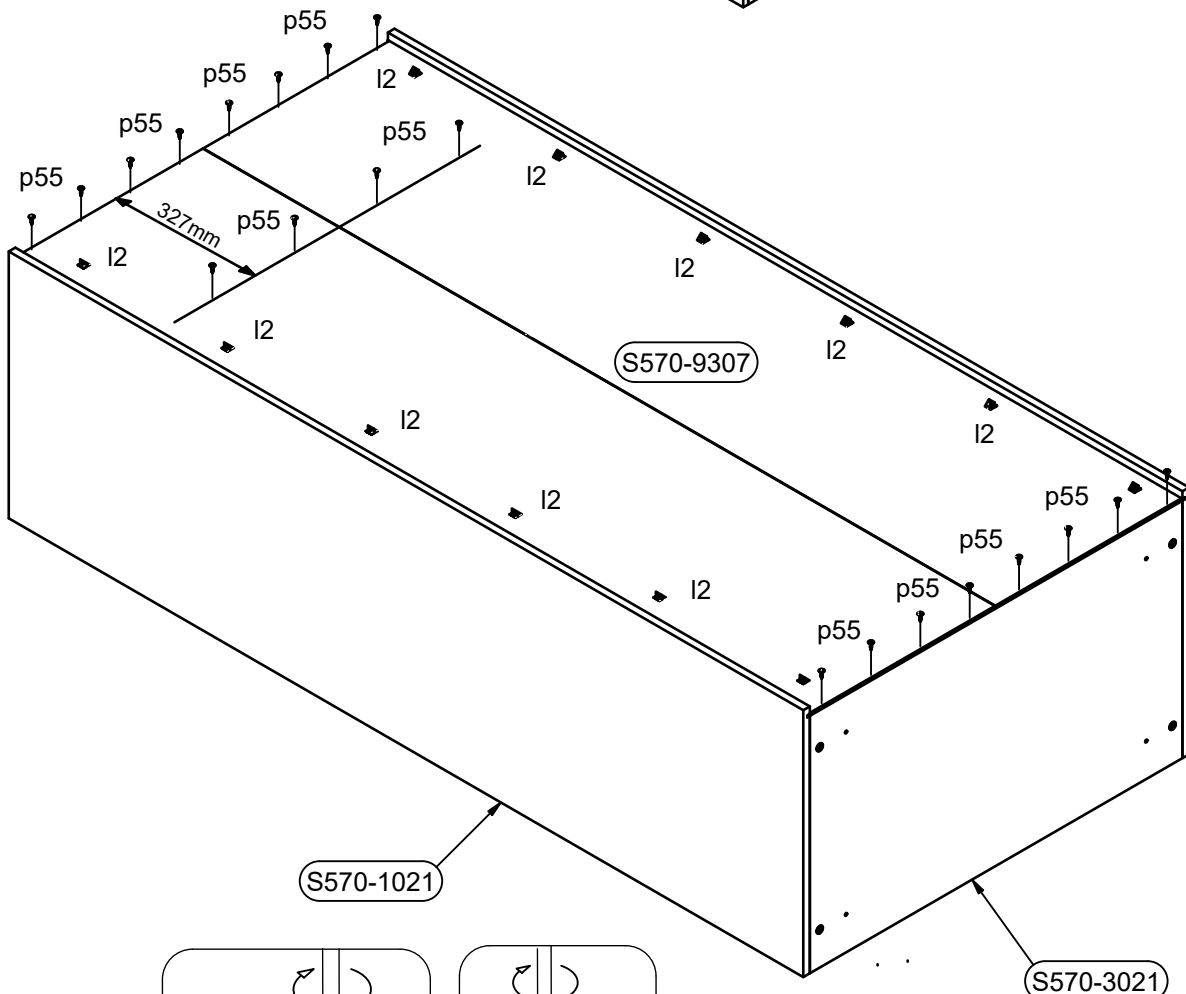
7



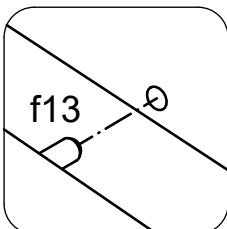
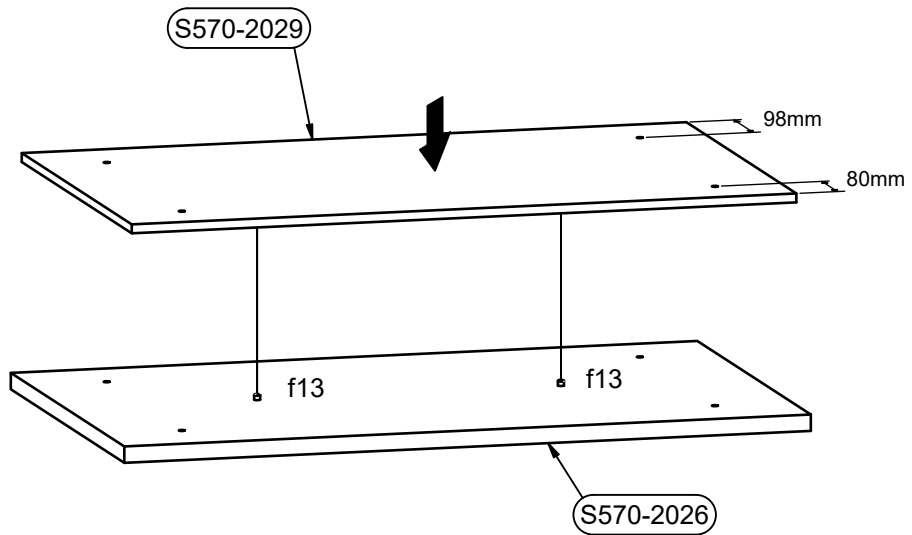
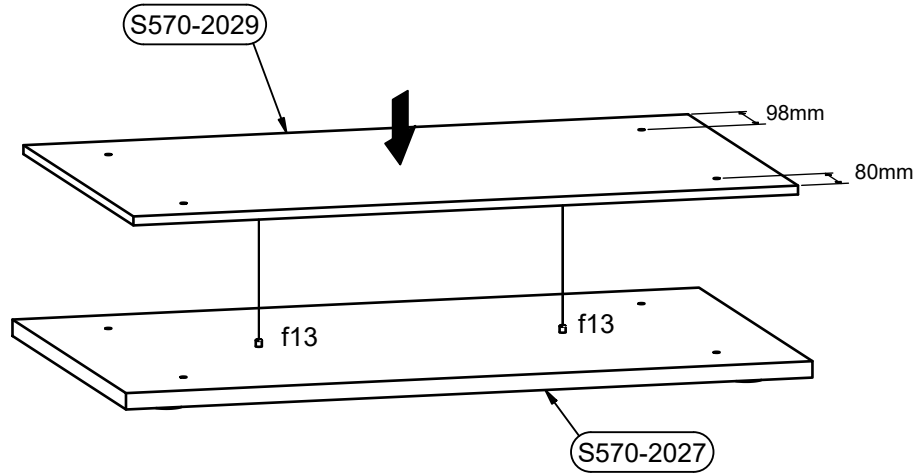
<p>p55</p>  <p>2.9x16mm</p>	<p>20x</p>	<p>l2</p> 	<p>12x</p>
--	------------	---	------------



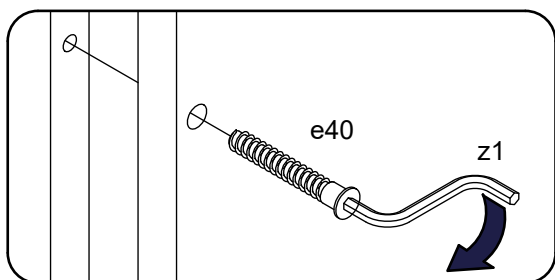
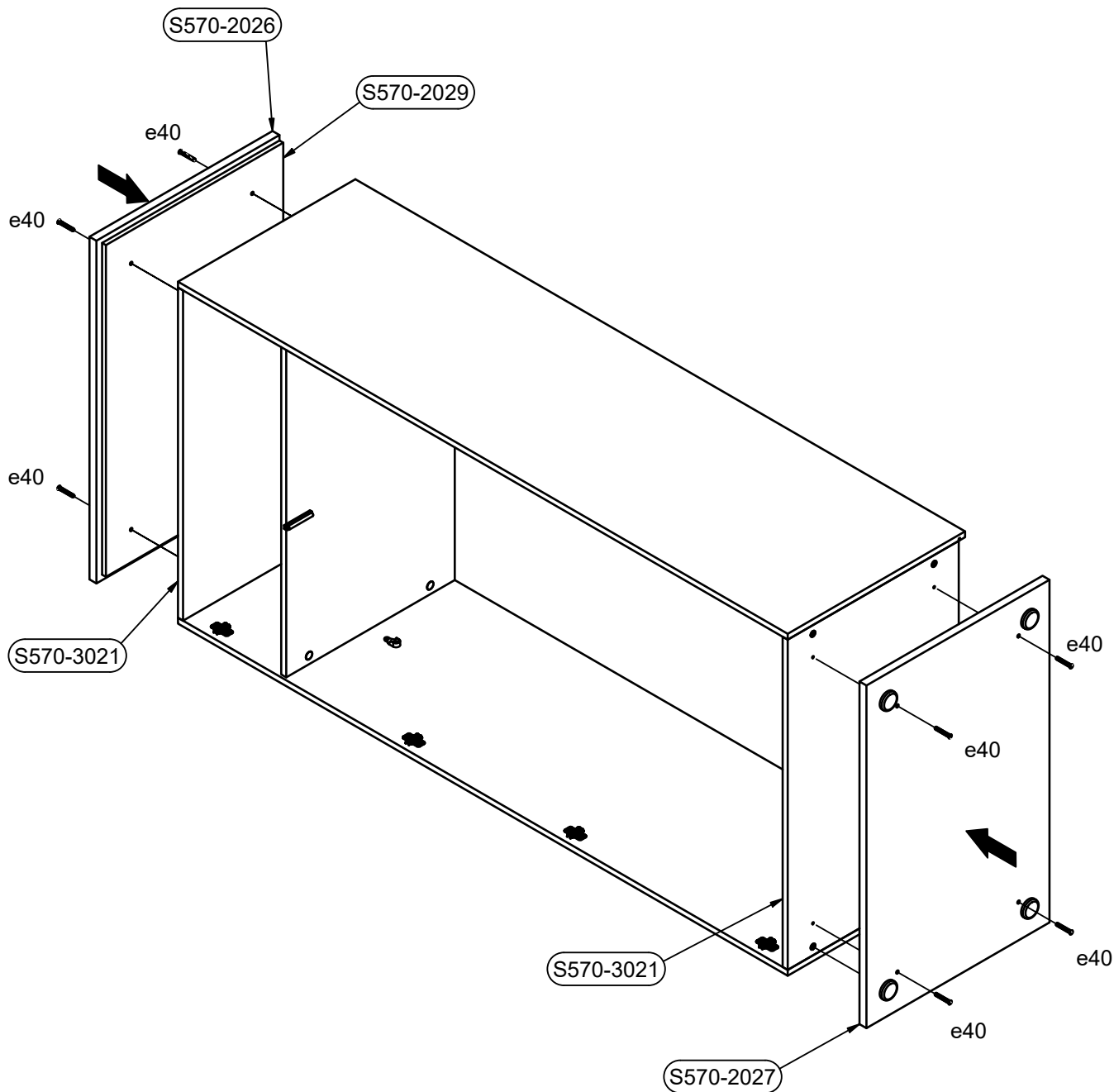
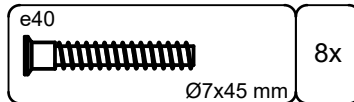
A=B

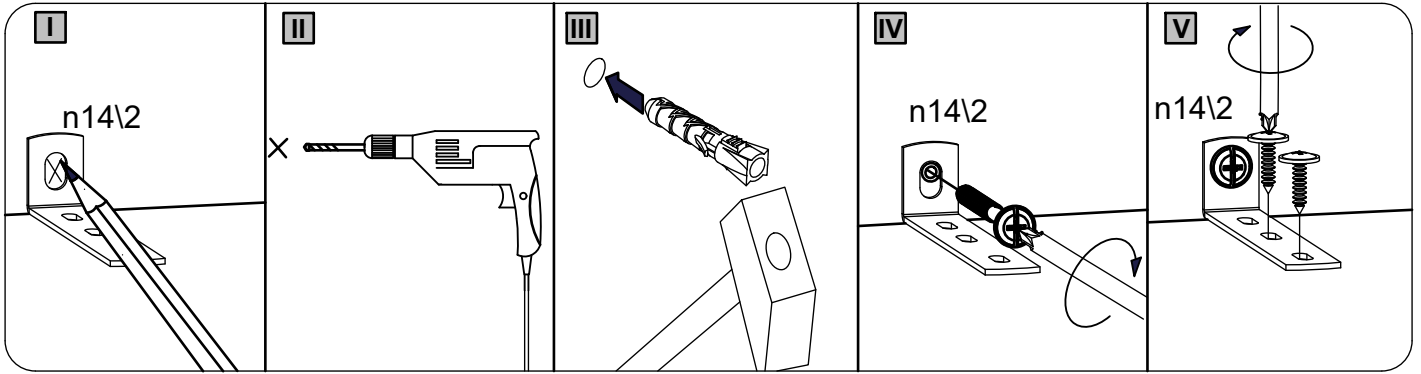
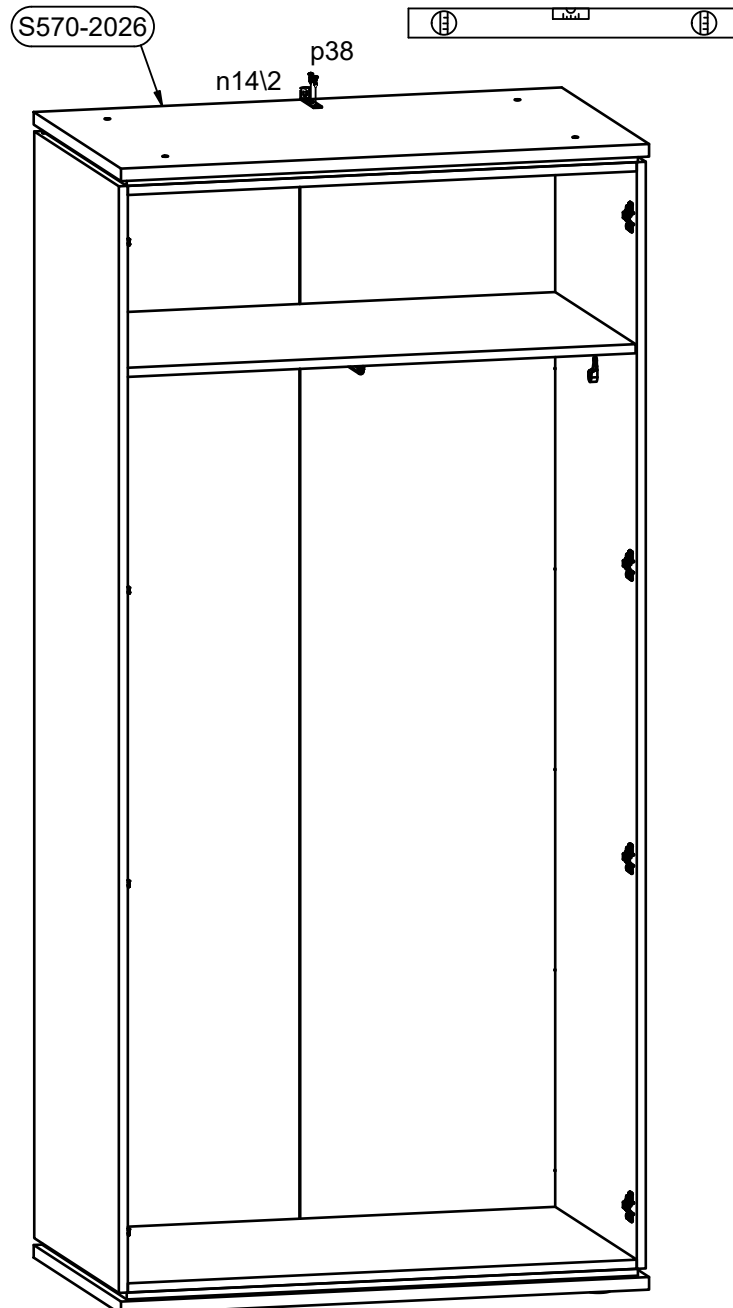
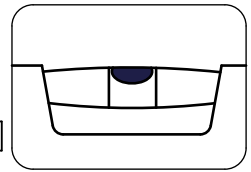
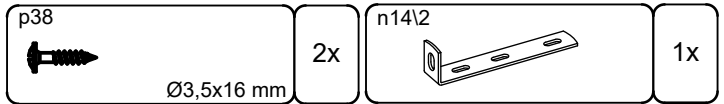


8



9



**10**

z28\4		1x	3x12mm
-------	--	----	--------

z28\3		1x	
-------	--	----	--

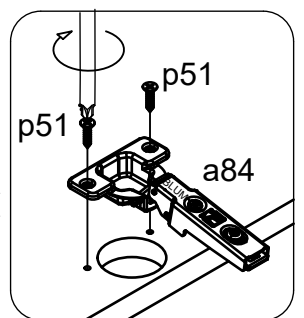
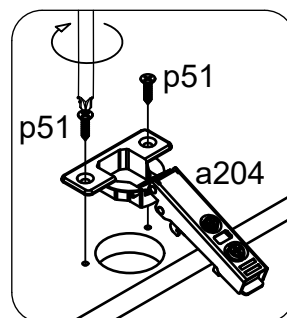
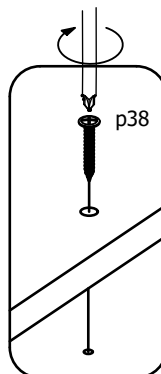
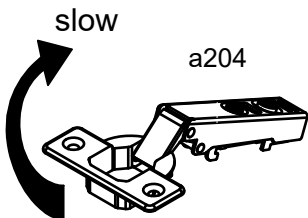
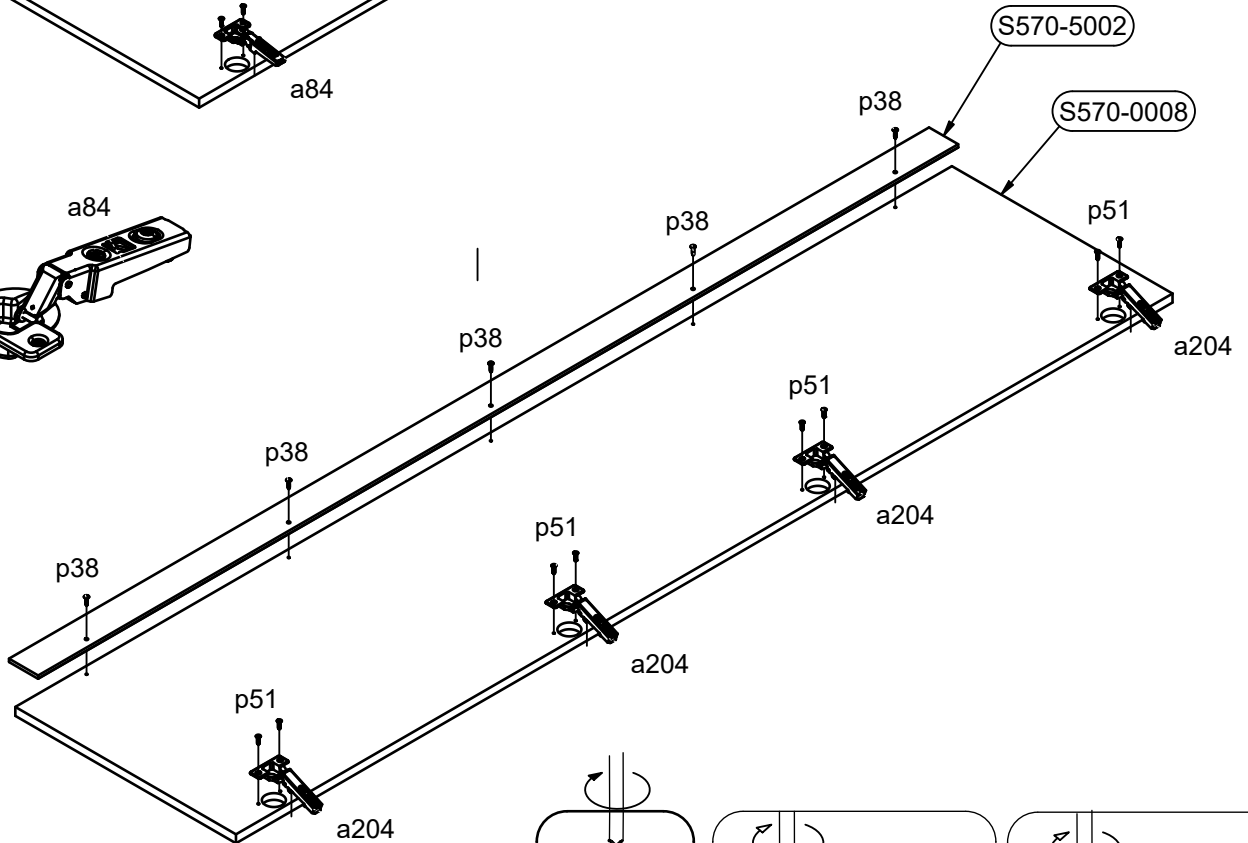
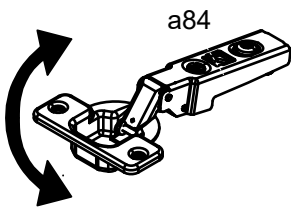
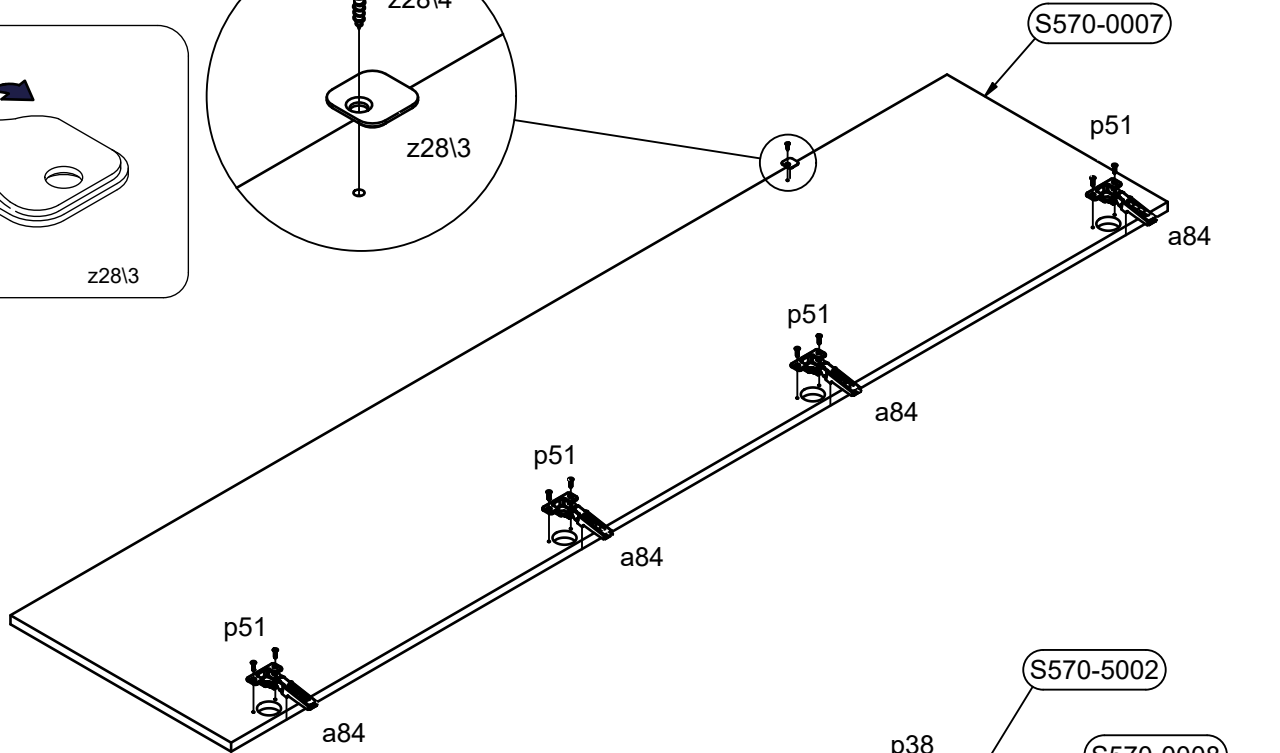
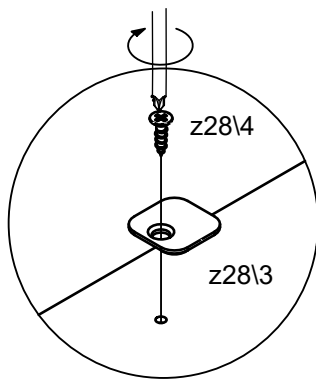
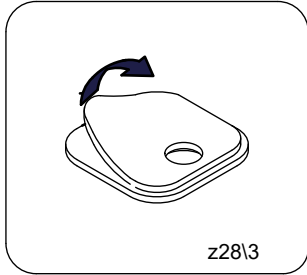
a84		4x	
-----	--	----	--

p51		8x	Ø3.5x15 mm
-----	--	----	------------

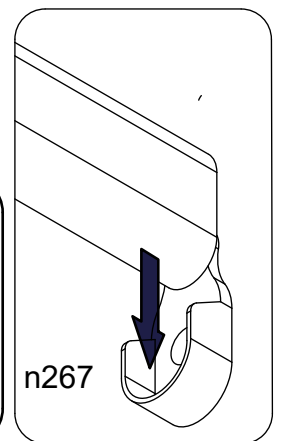
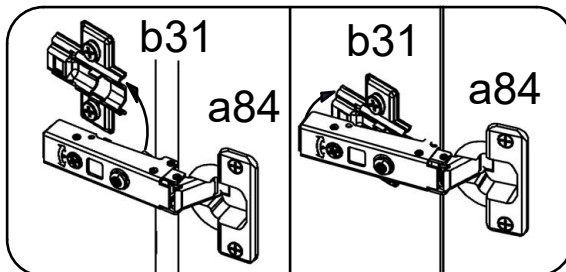
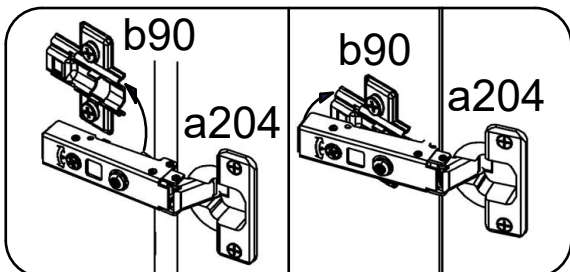
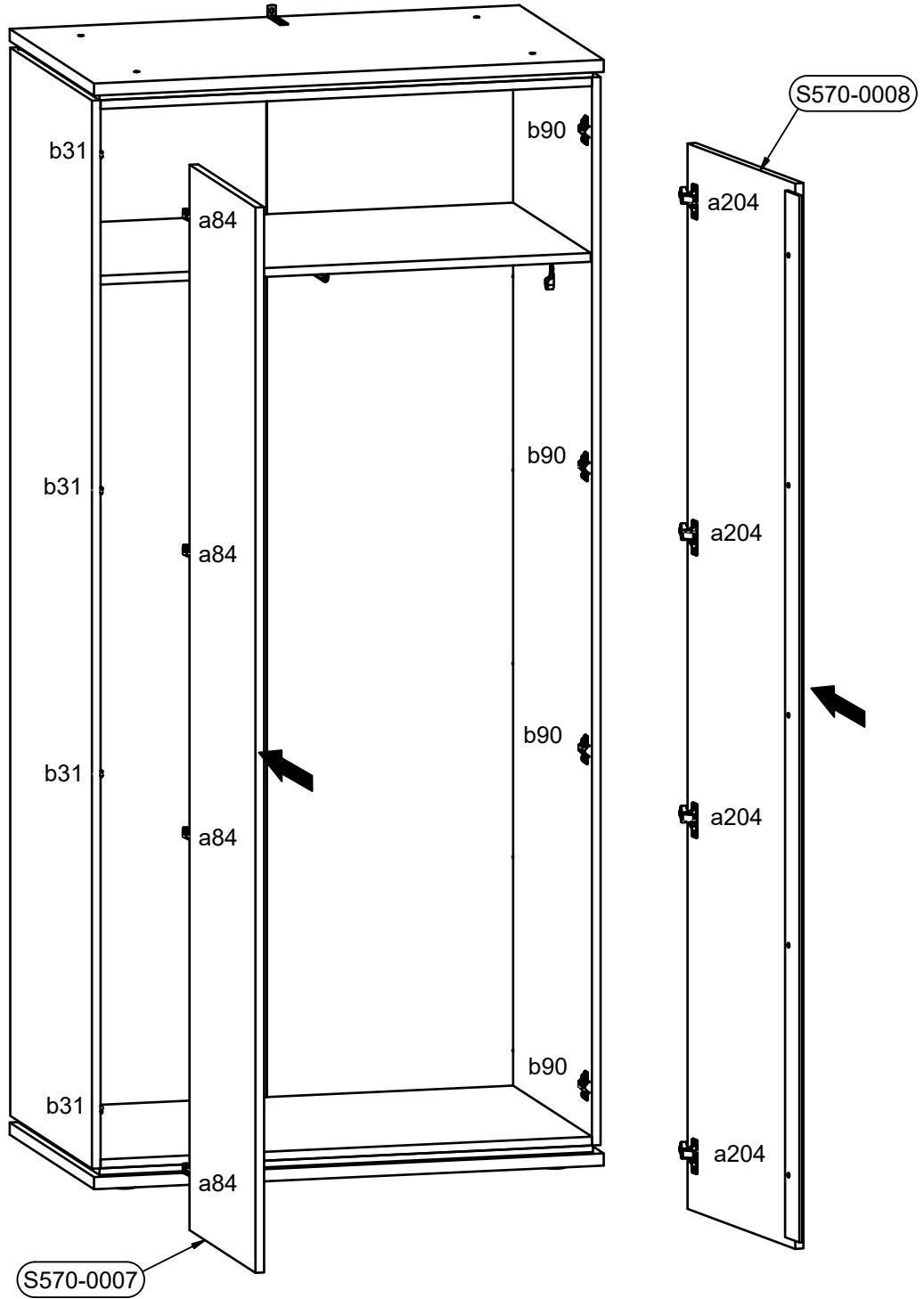
a204		4x	
------	--	----	--

p38		5x	Ø3,5x16 mm
-----	--	----	------------

11



12



13

