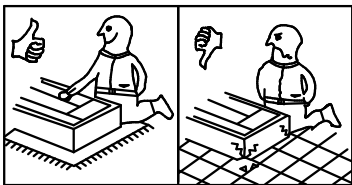
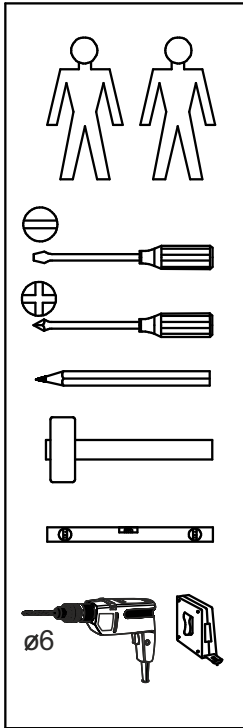
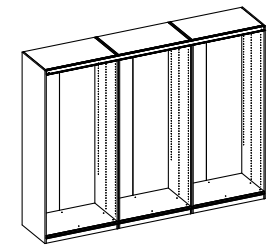
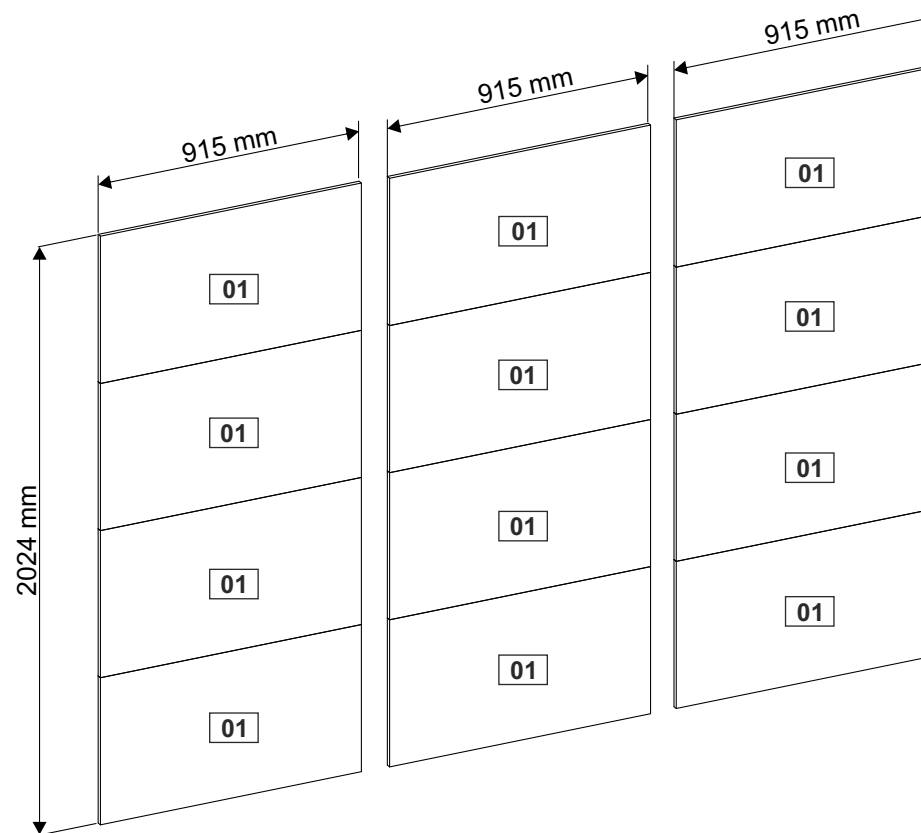


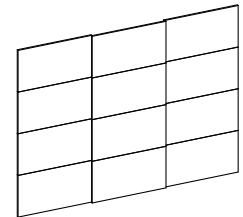
UNIT 2700/2024



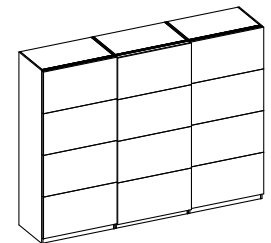
01	915x506x16	1/1
----	------------	-----



+

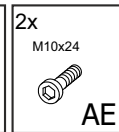
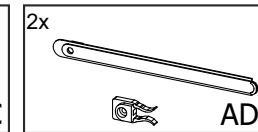
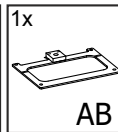
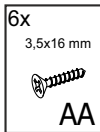
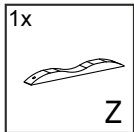
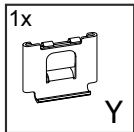
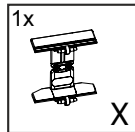
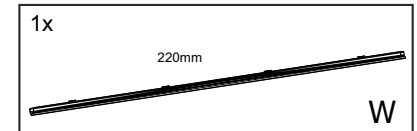
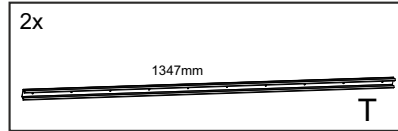
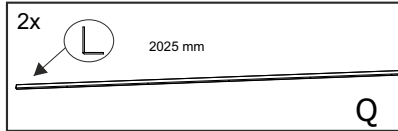
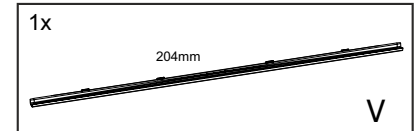
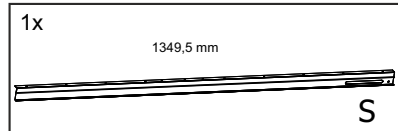
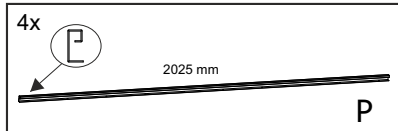
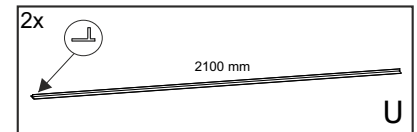
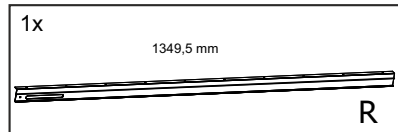
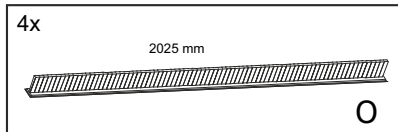
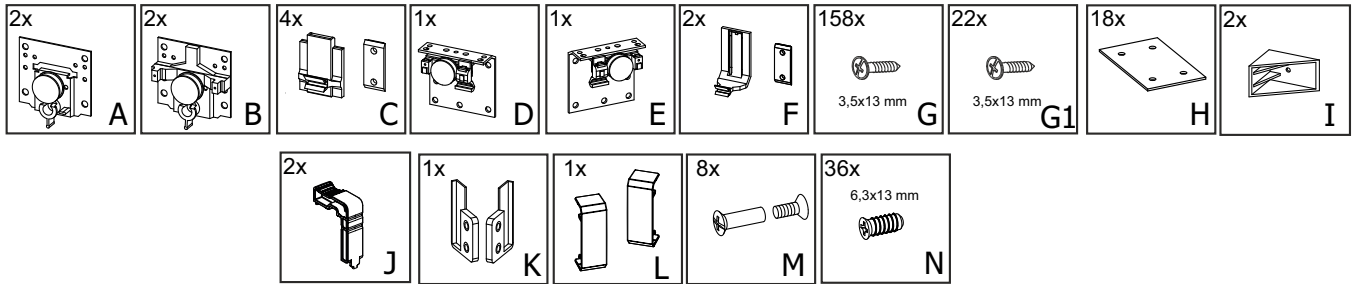
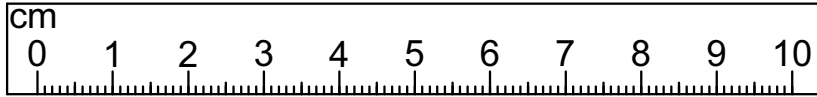


=



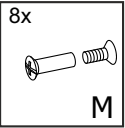
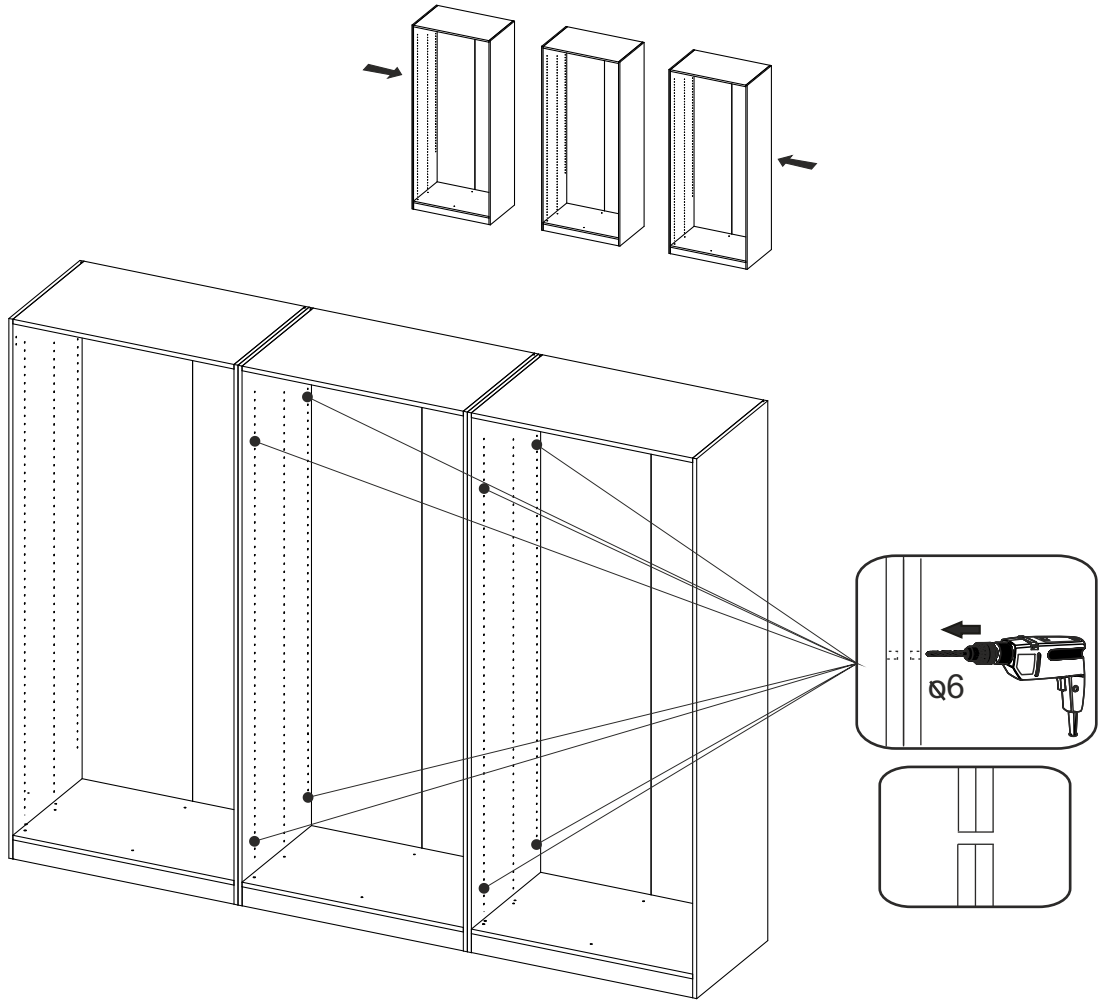
UNIT 2700/2024

C 1/1

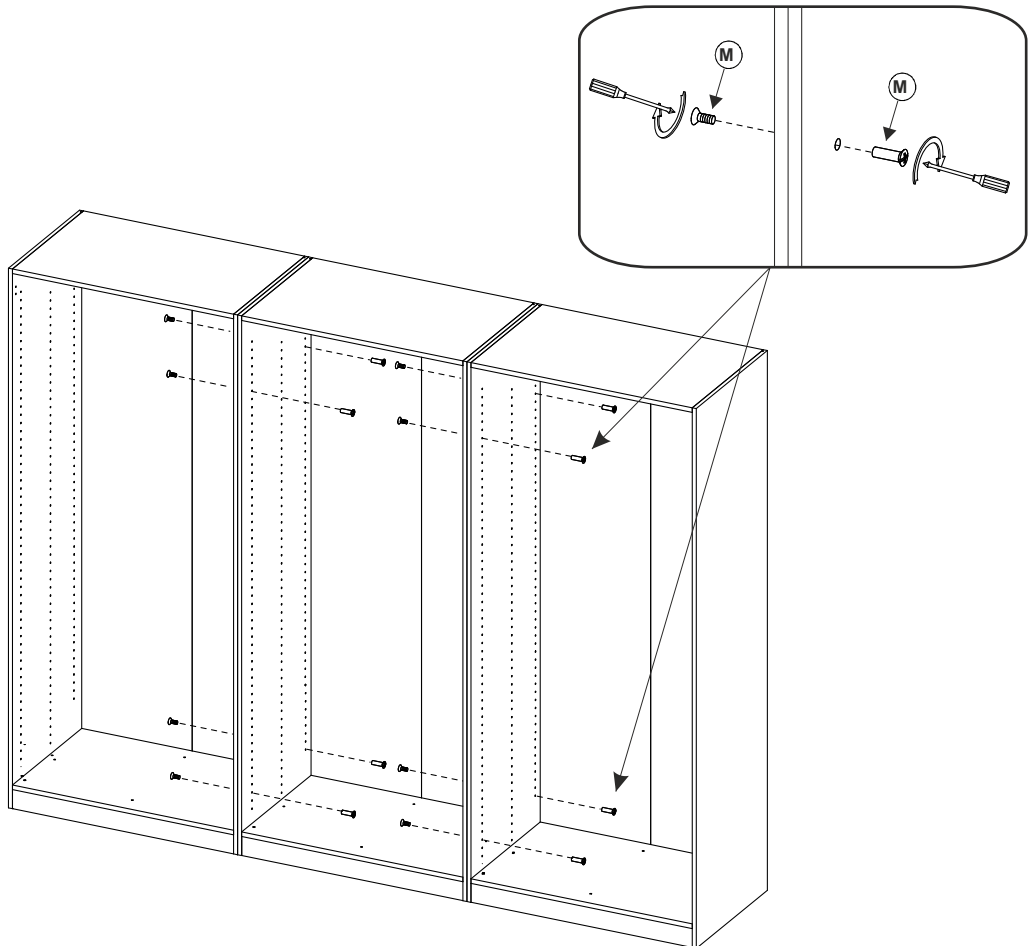


UNIT 2700/2024

1

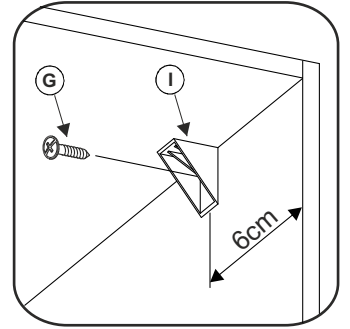
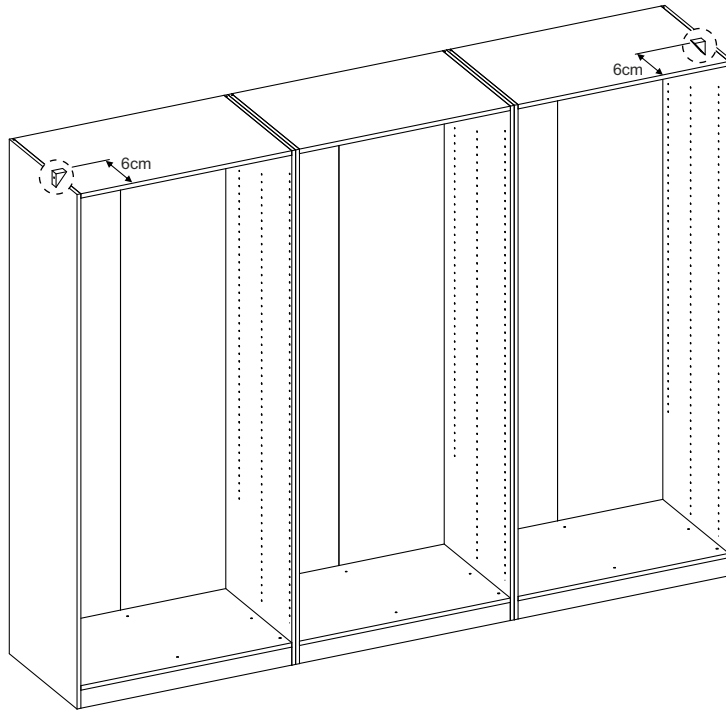
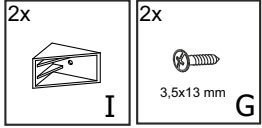


2

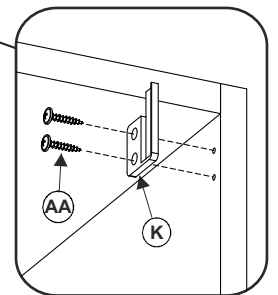
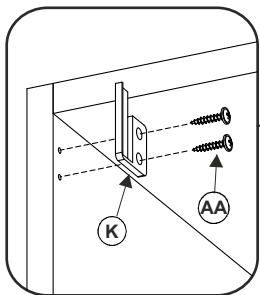
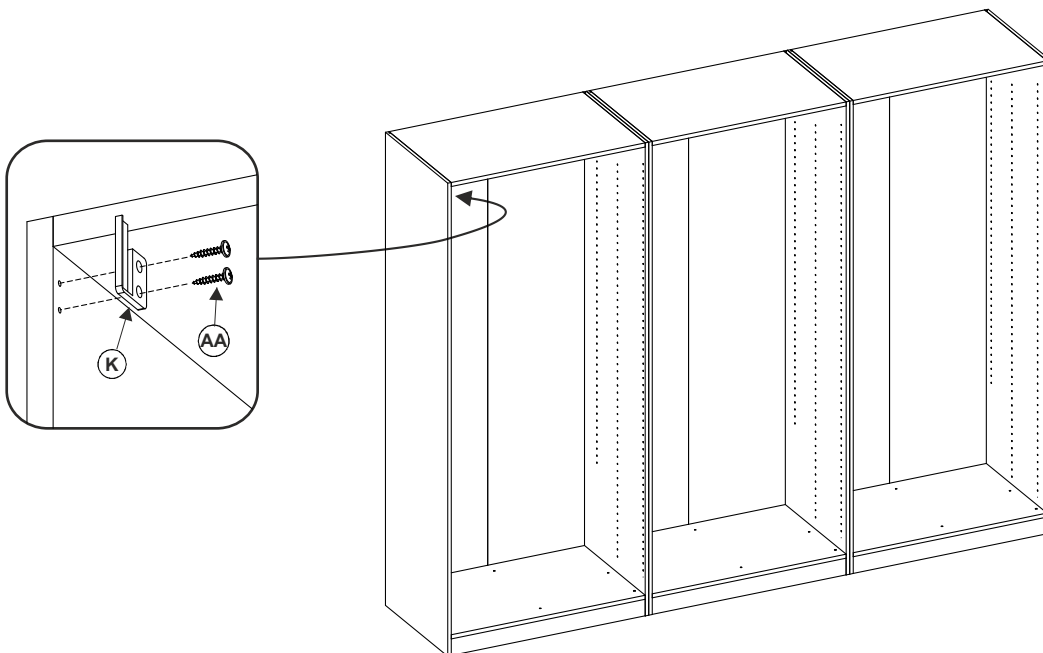
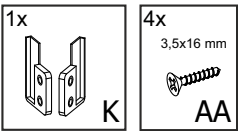


UNIT 2700/2024

3

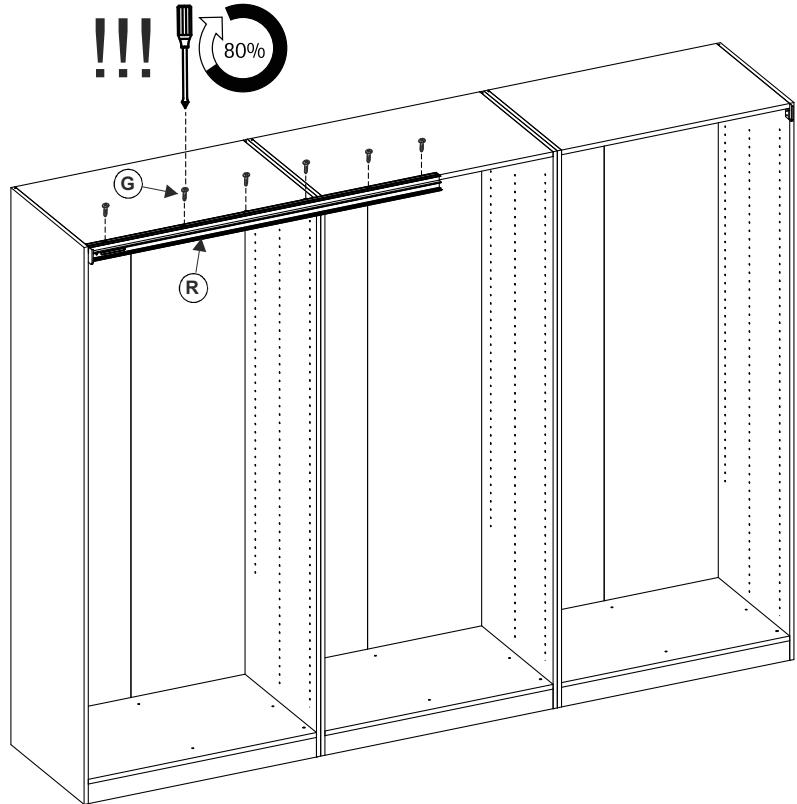
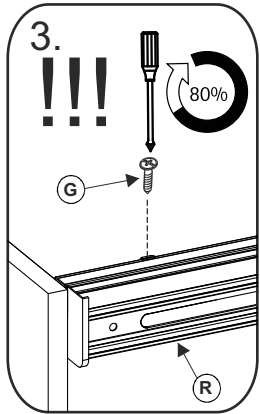
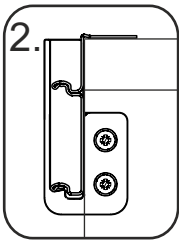
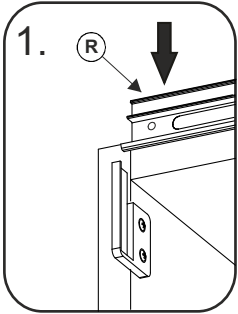
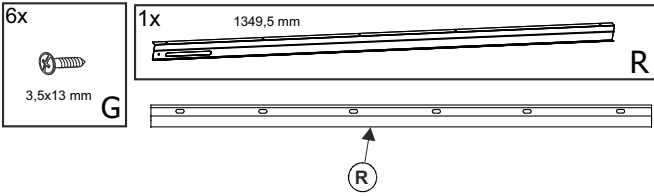


4

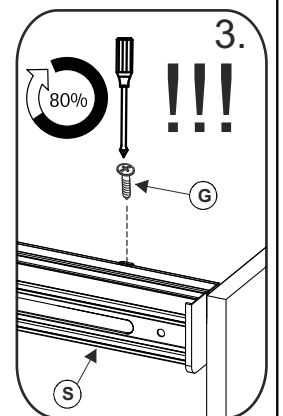
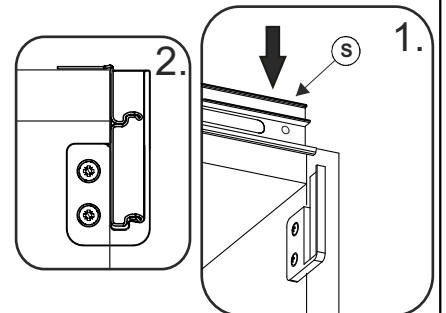
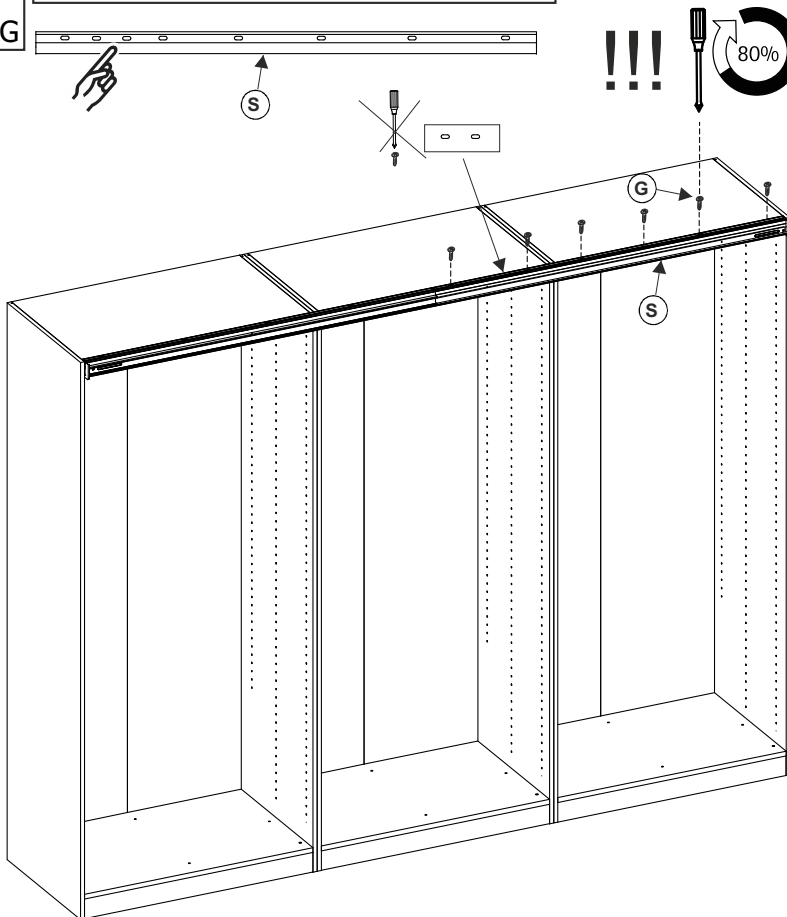
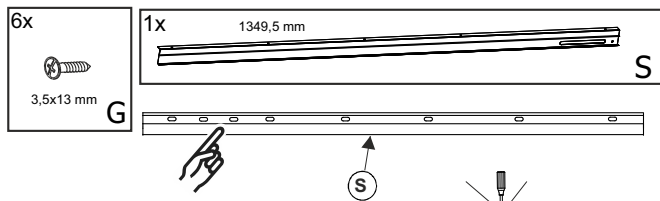


UNIT 2700/2024

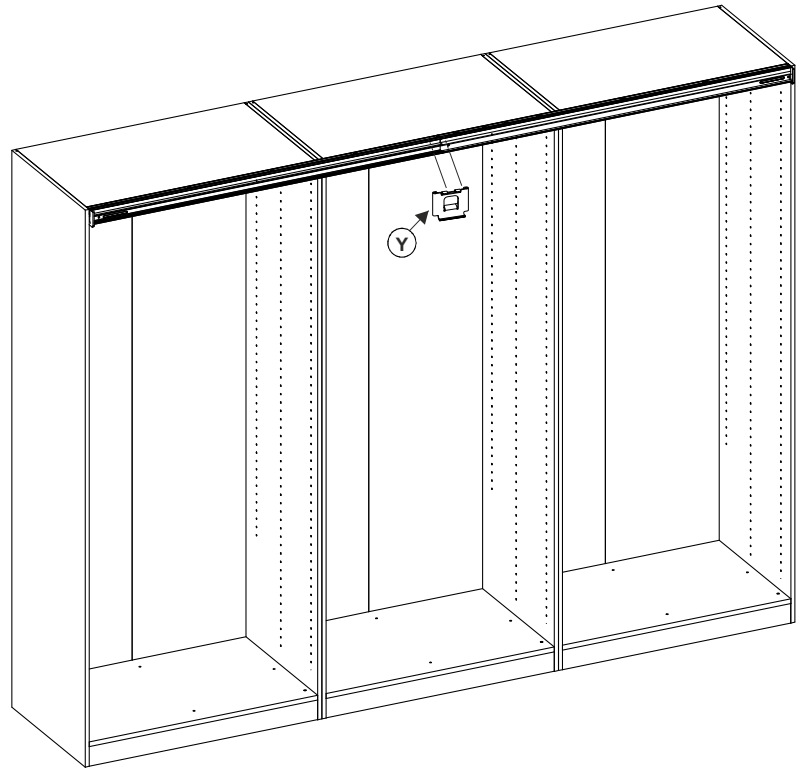
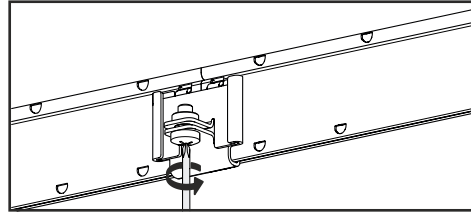
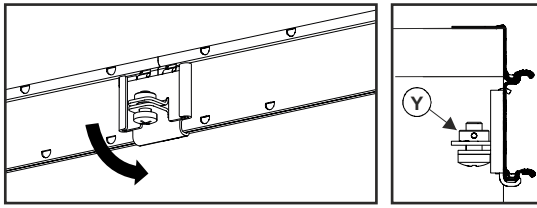
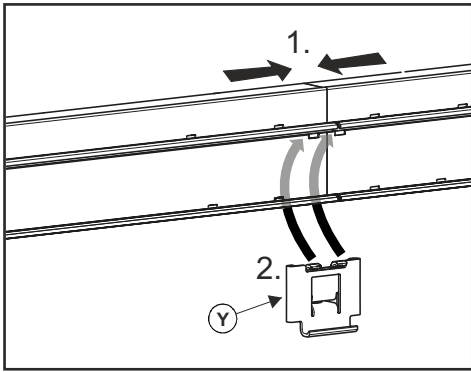
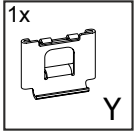
5



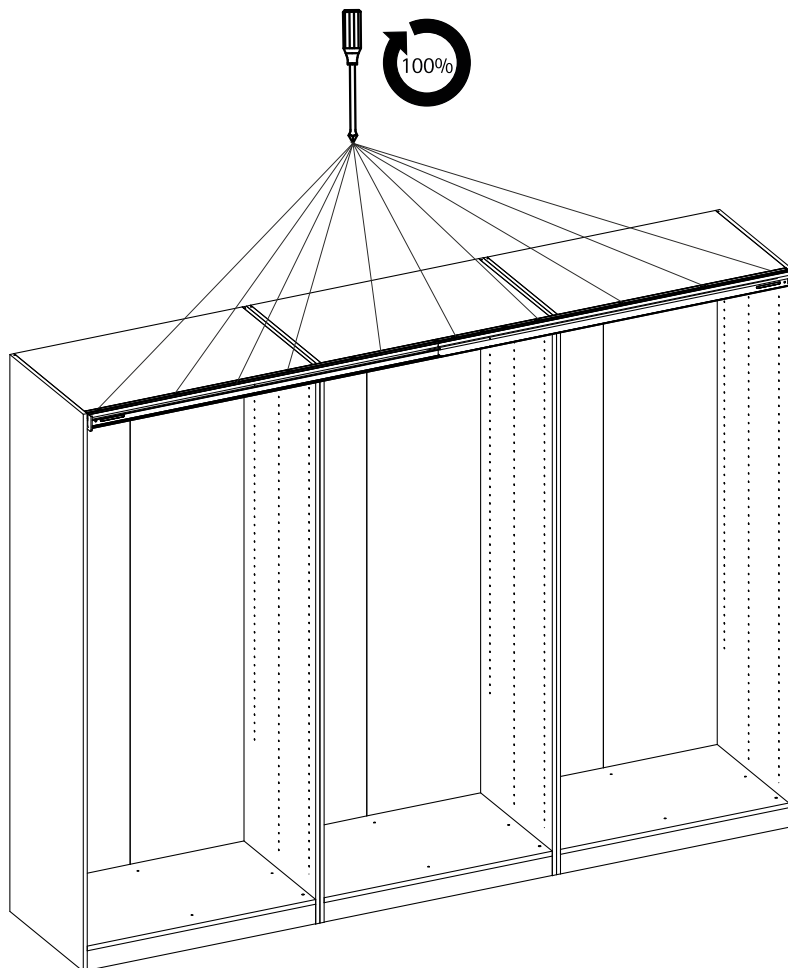
6



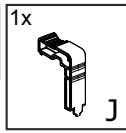
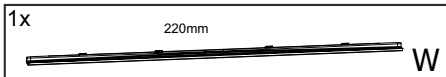
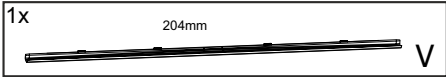
7



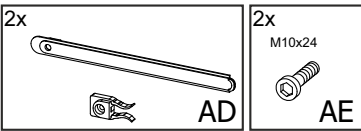
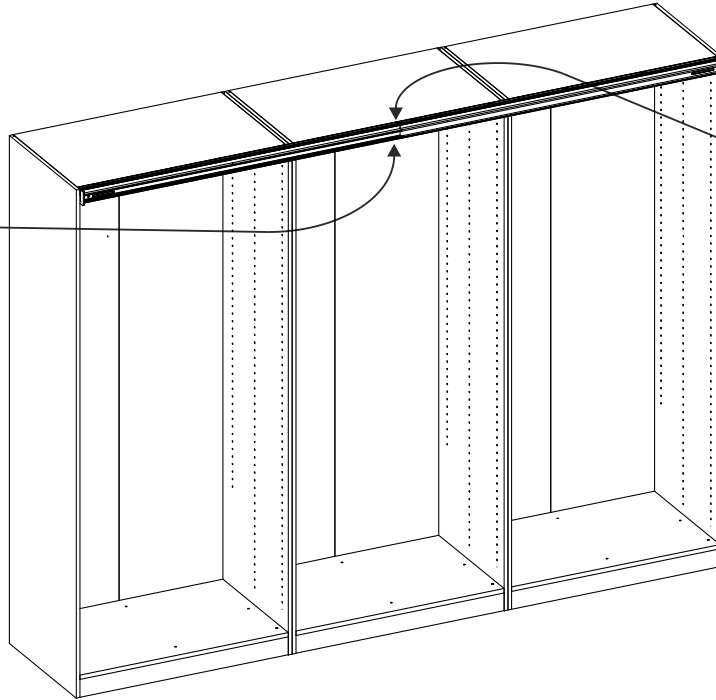
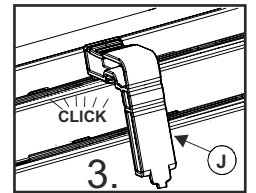
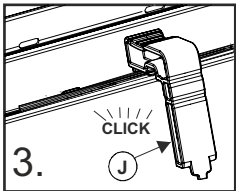
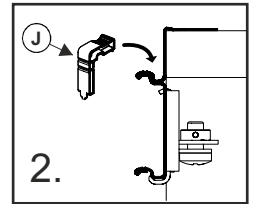
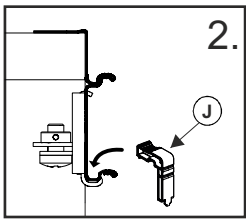
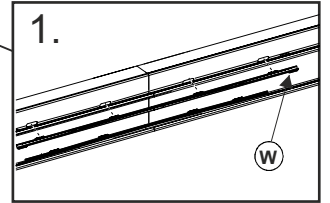
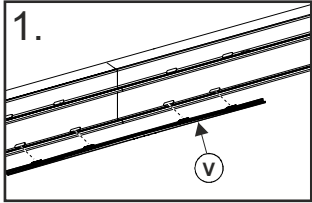
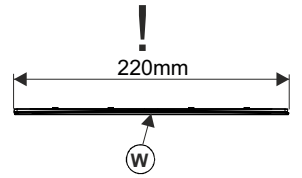
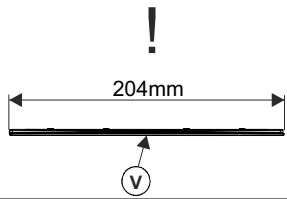
8



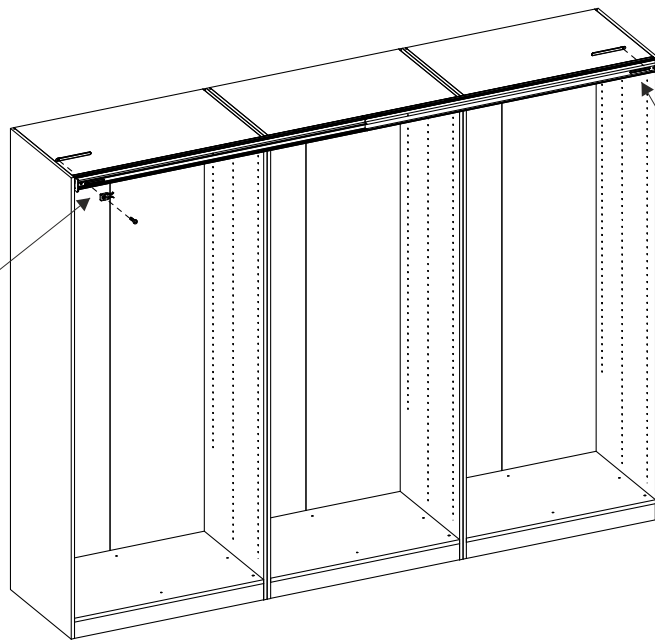
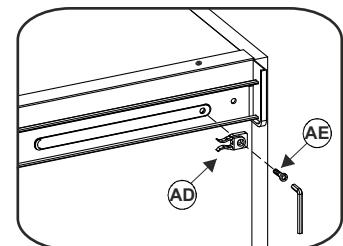
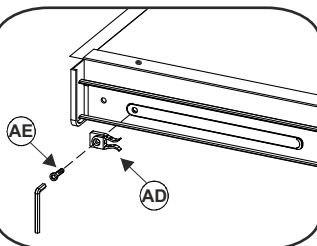
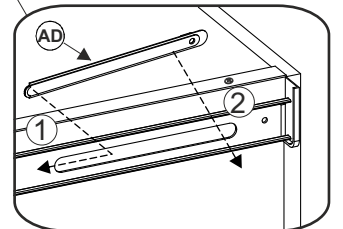
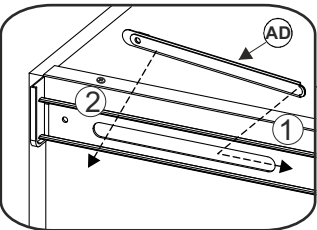
UNIT 2700/2024

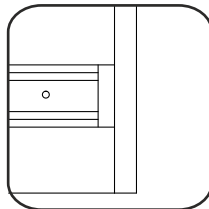
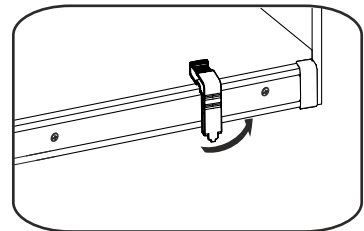
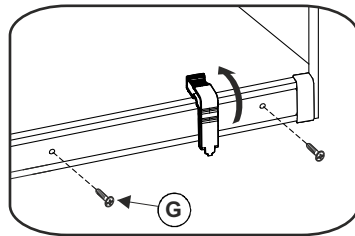
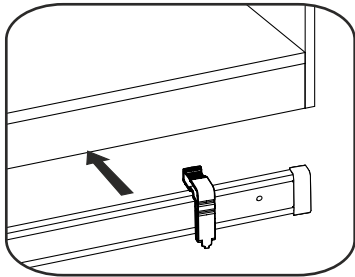
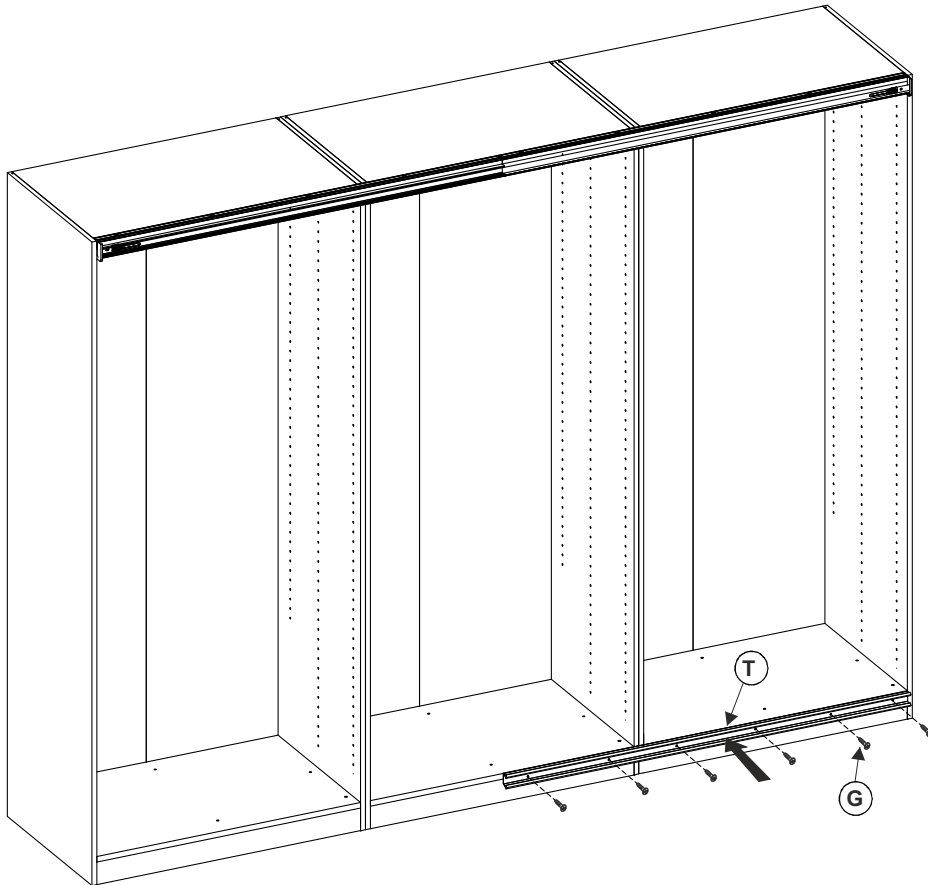
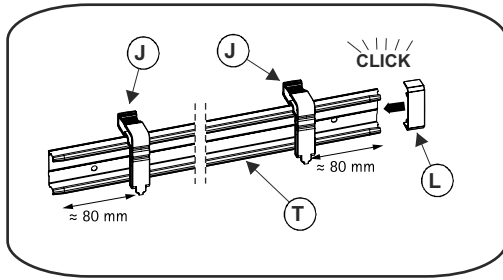
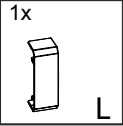
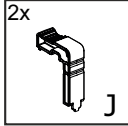
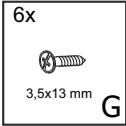


9



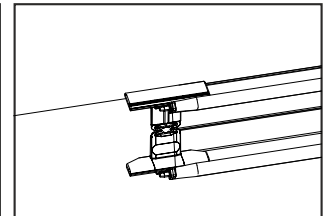
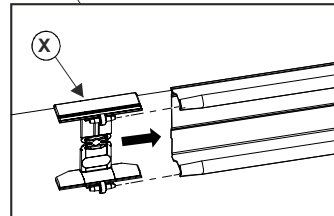
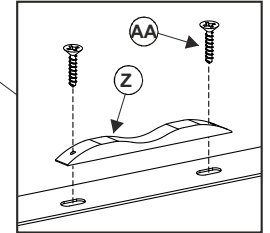
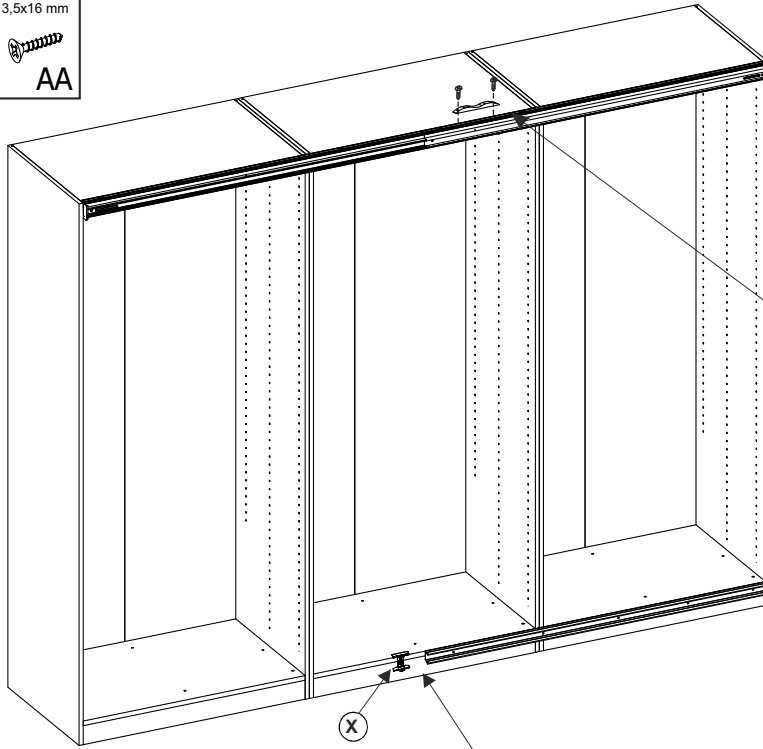
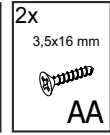
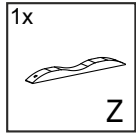
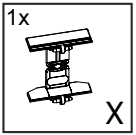
10



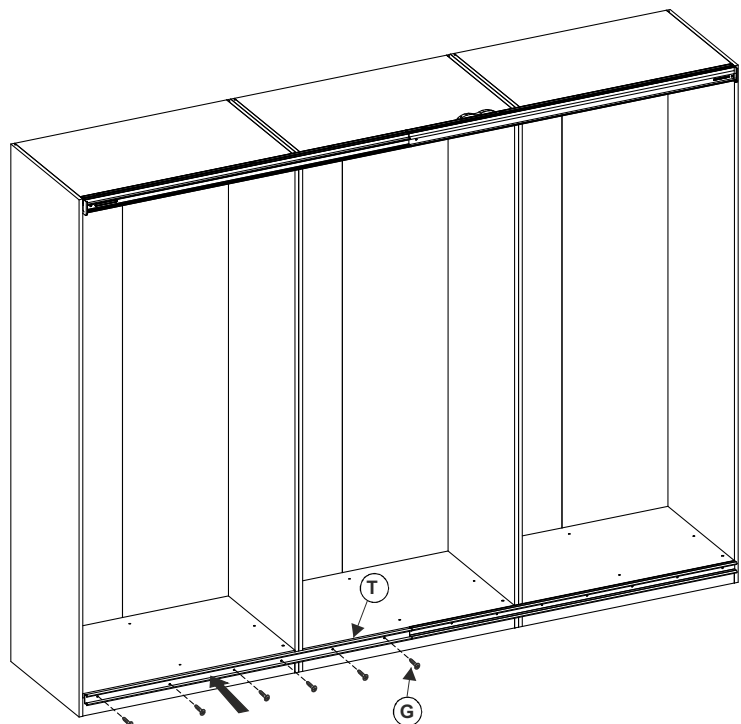
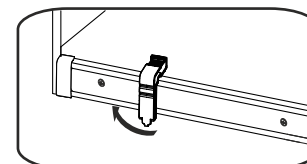
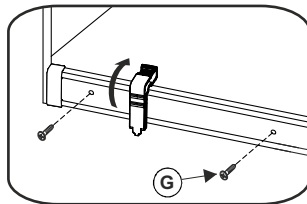
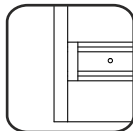
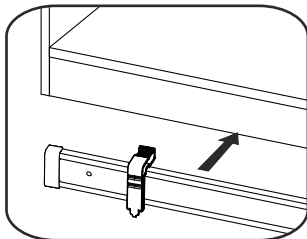
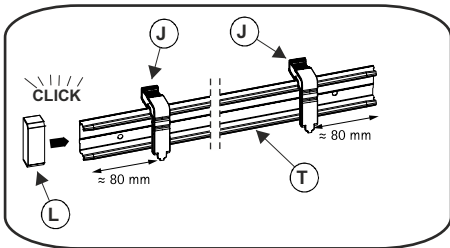
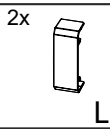
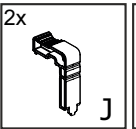
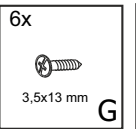


UNIT 2700/2024

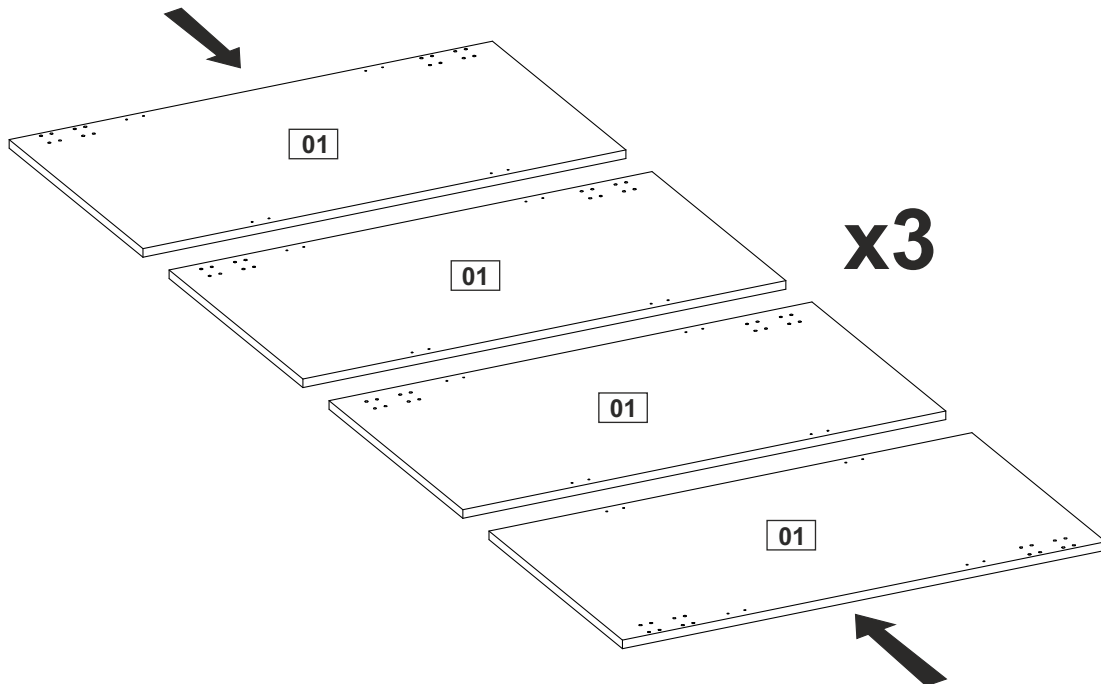
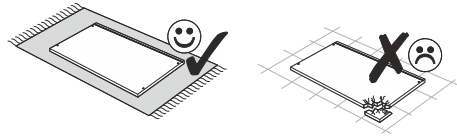
12



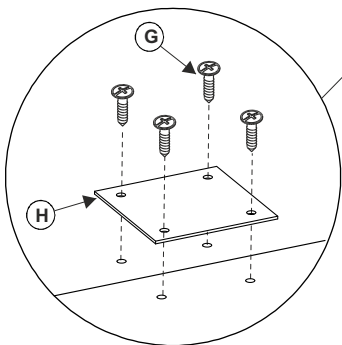
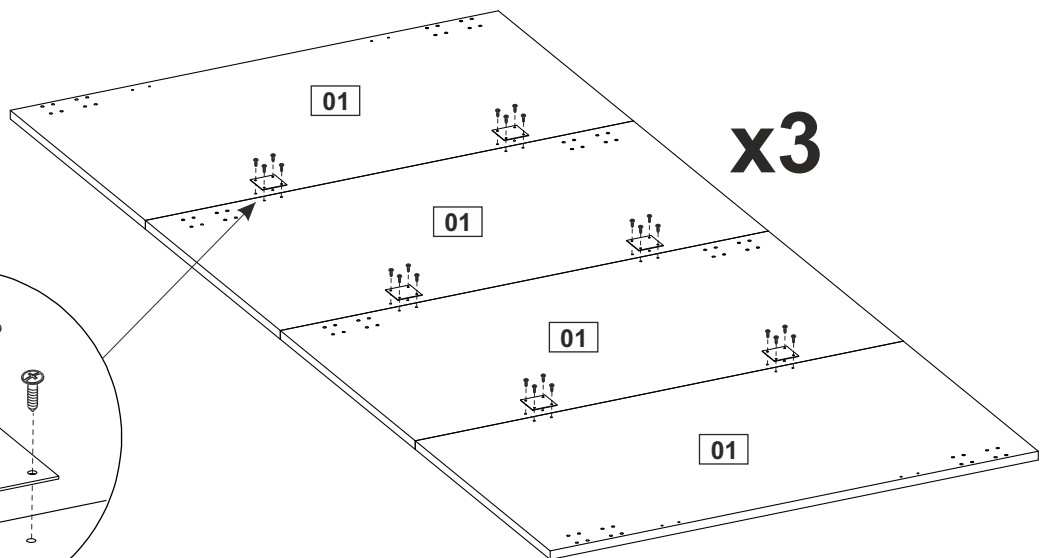
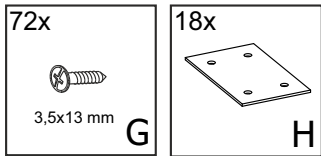
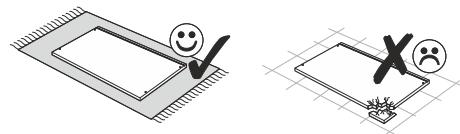
13



14

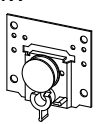
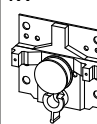
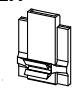
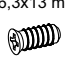


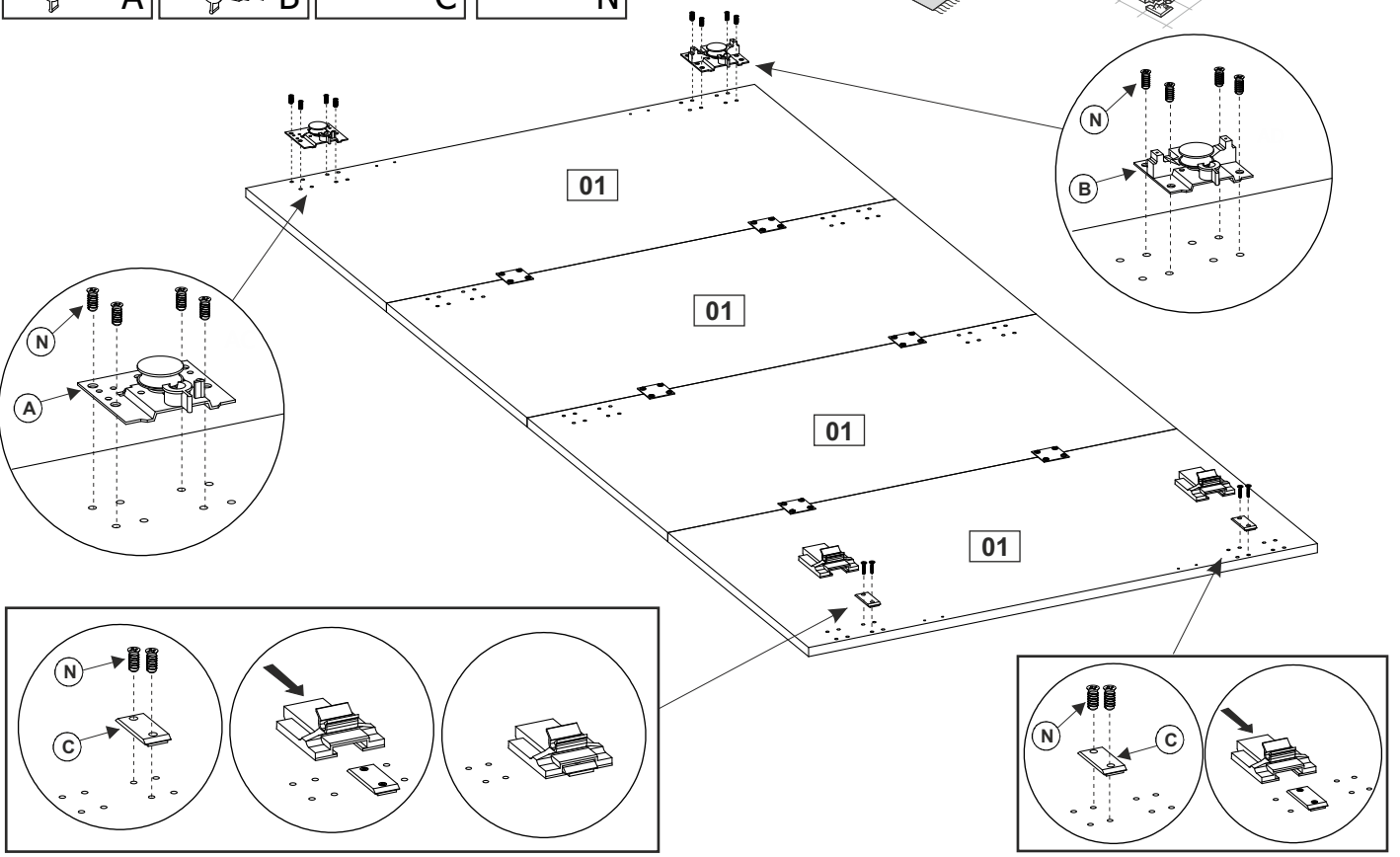
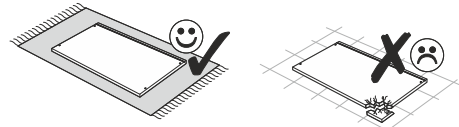
15



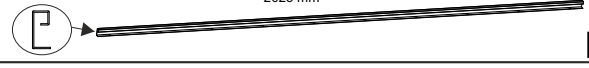
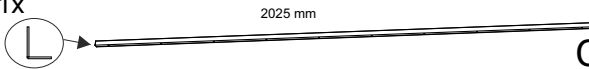
UNIT 2700/2024


16

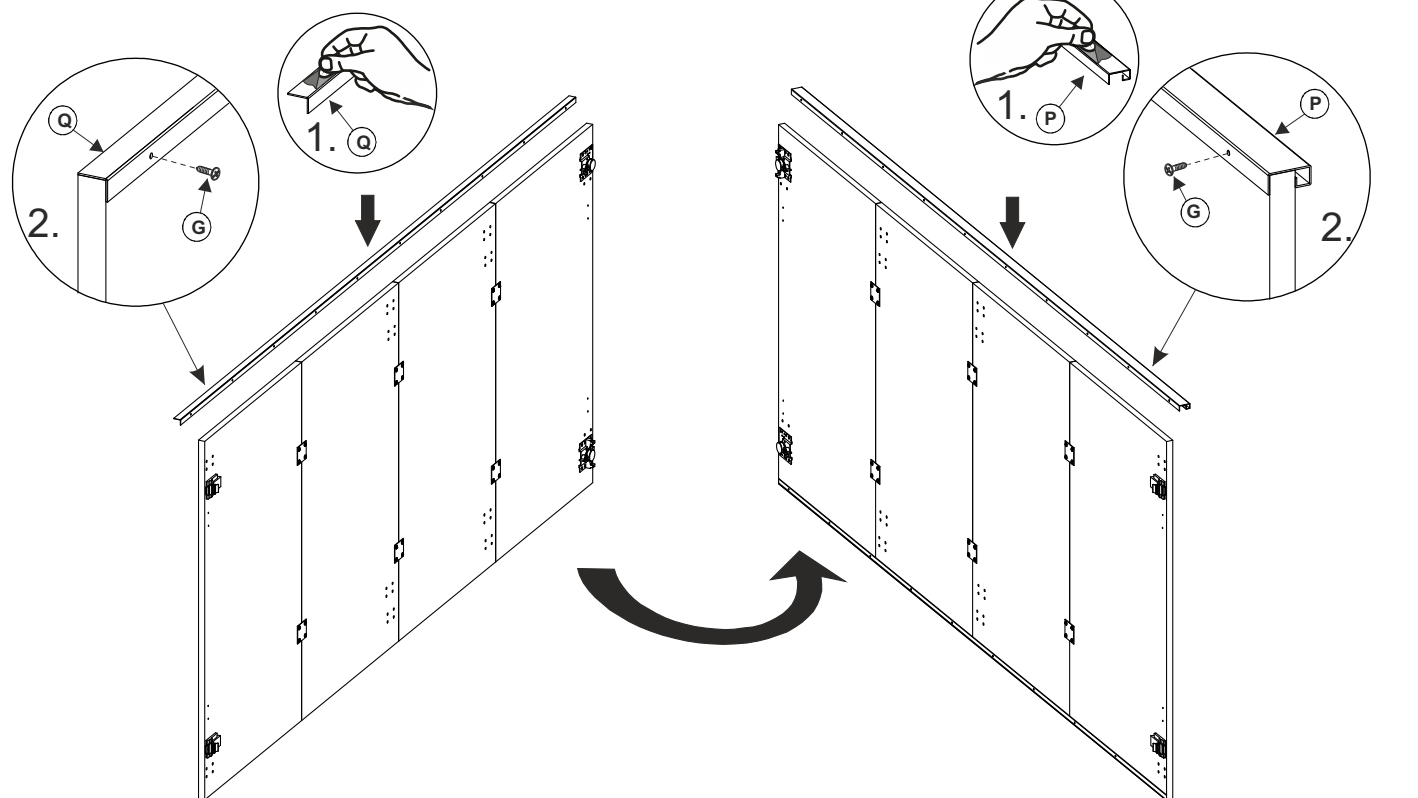
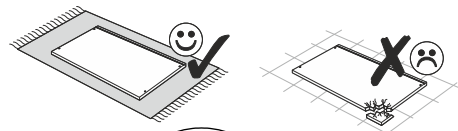
- 1x  **A**
- 1x  **B**
- 2x  **C**
- 12x  6,3x13 mm **N**

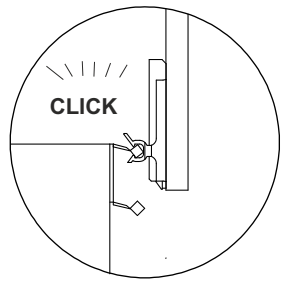
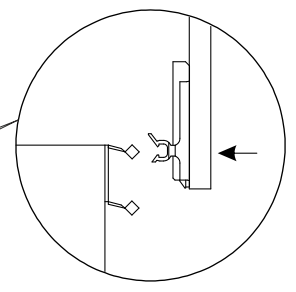
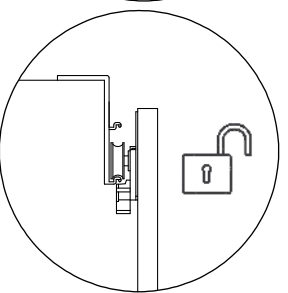
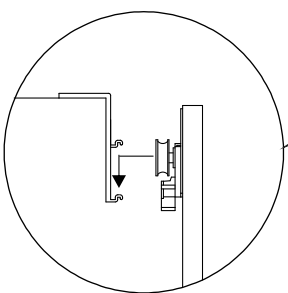
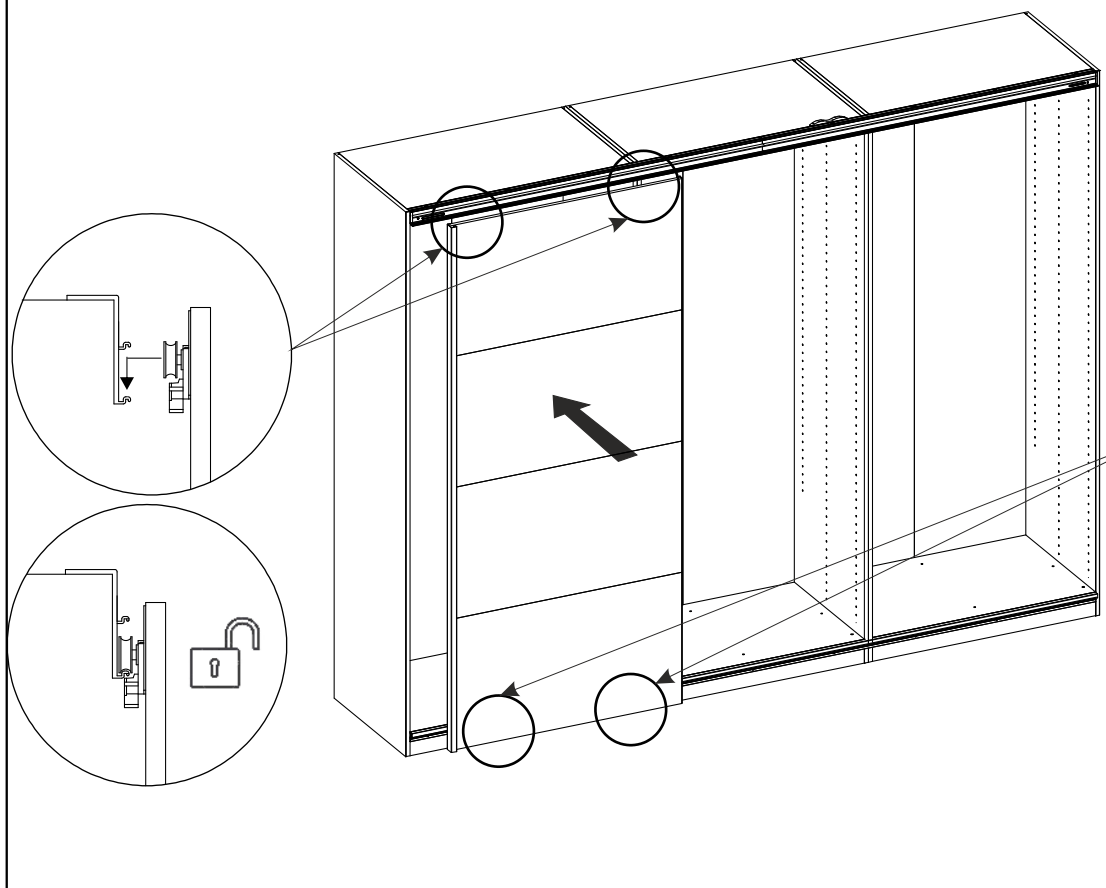
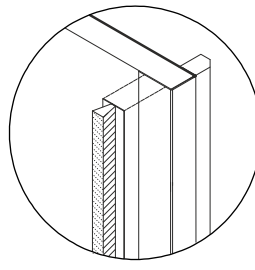
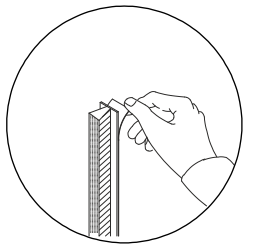
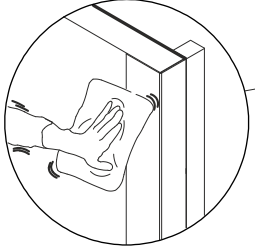
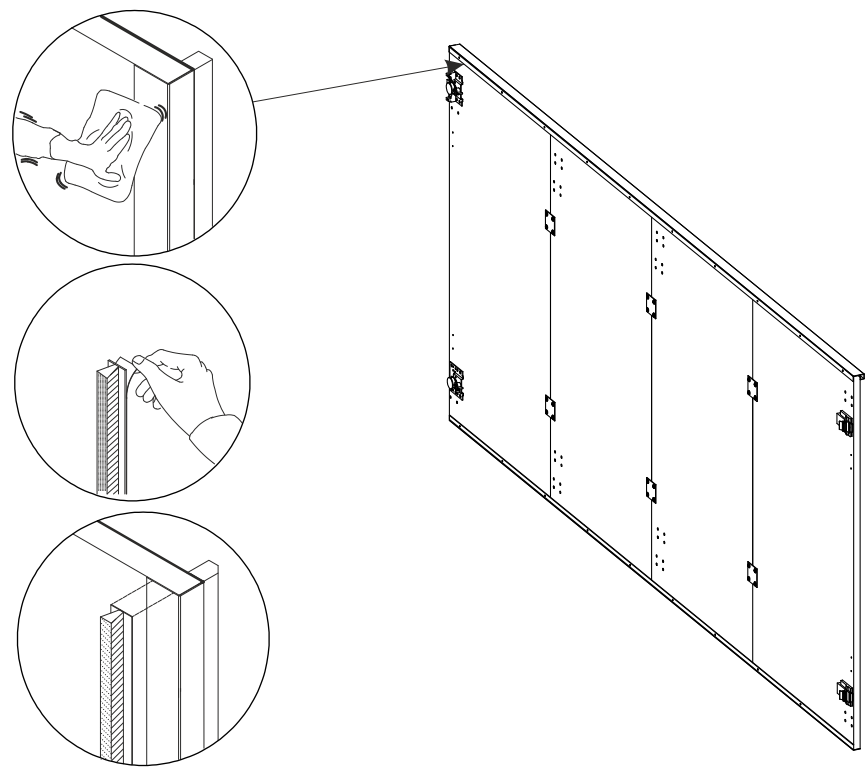
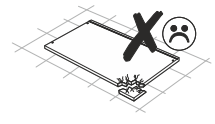
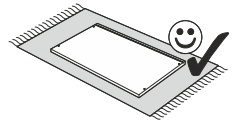
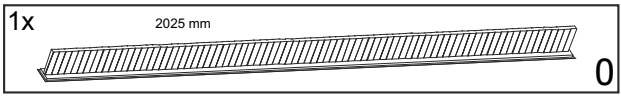


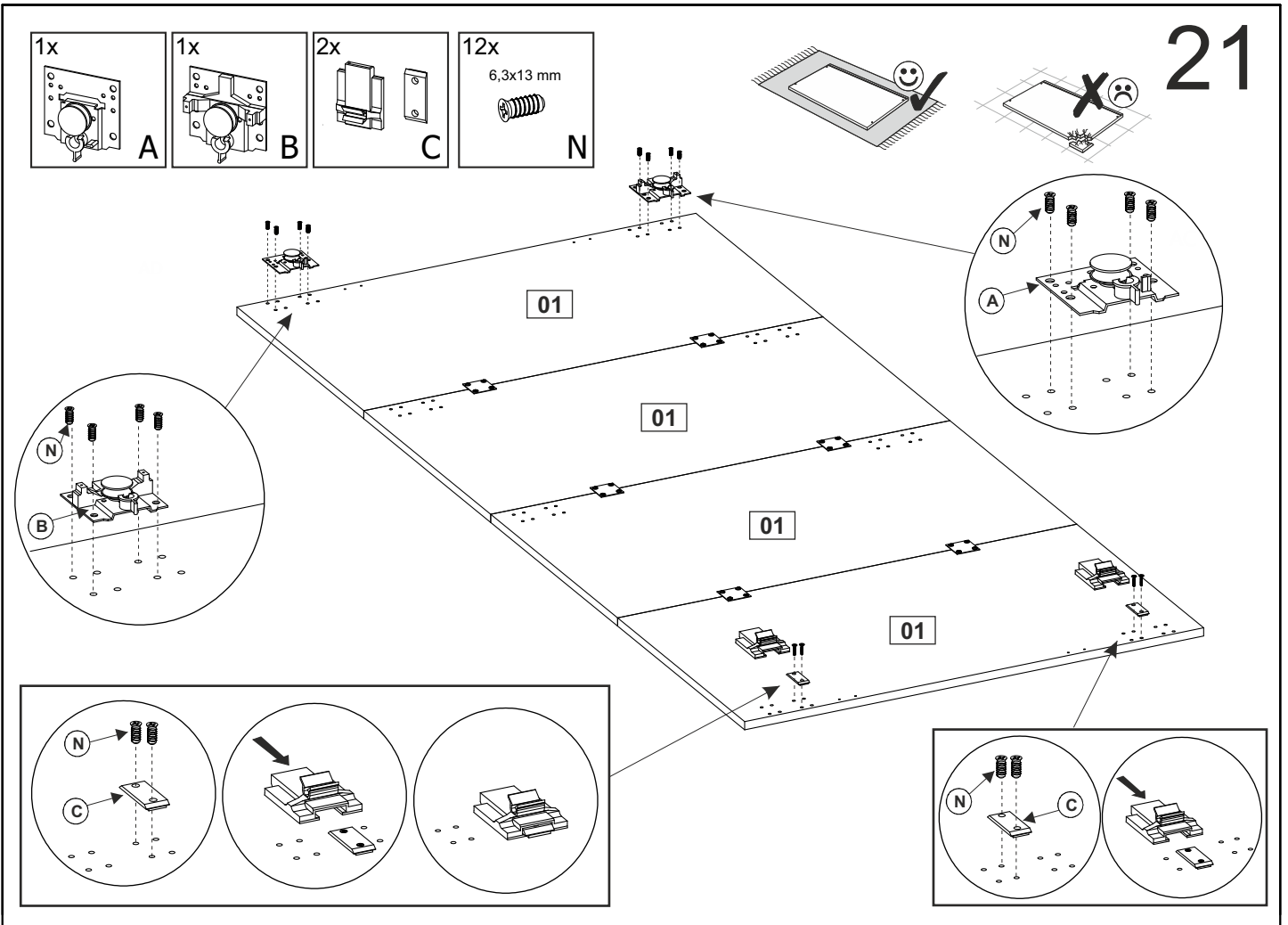
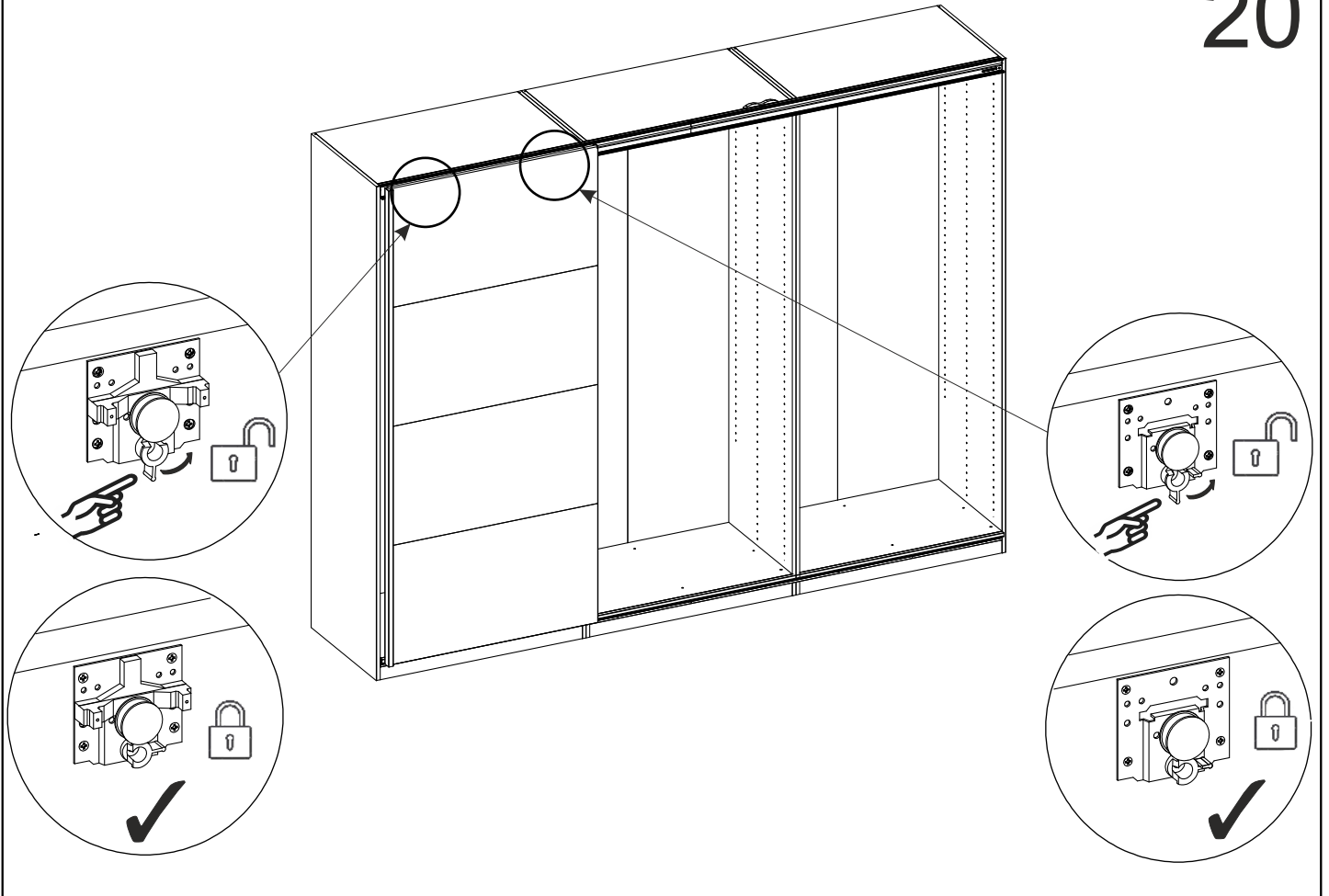
17

- 1x  2025 mm **P**
- 1x  2025 mm **Q**

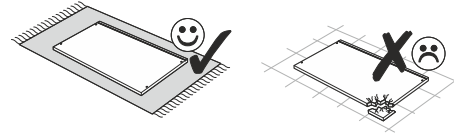
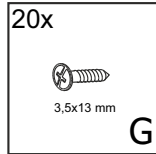
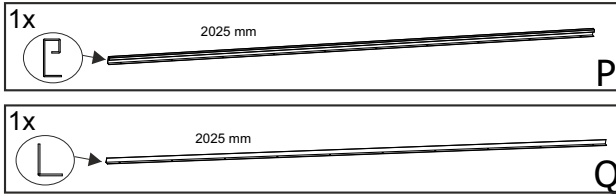
- 20x  3,5x13 mm **G**



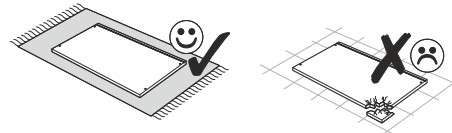
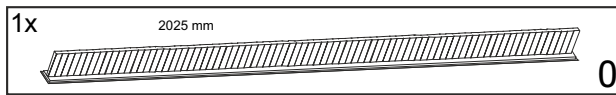
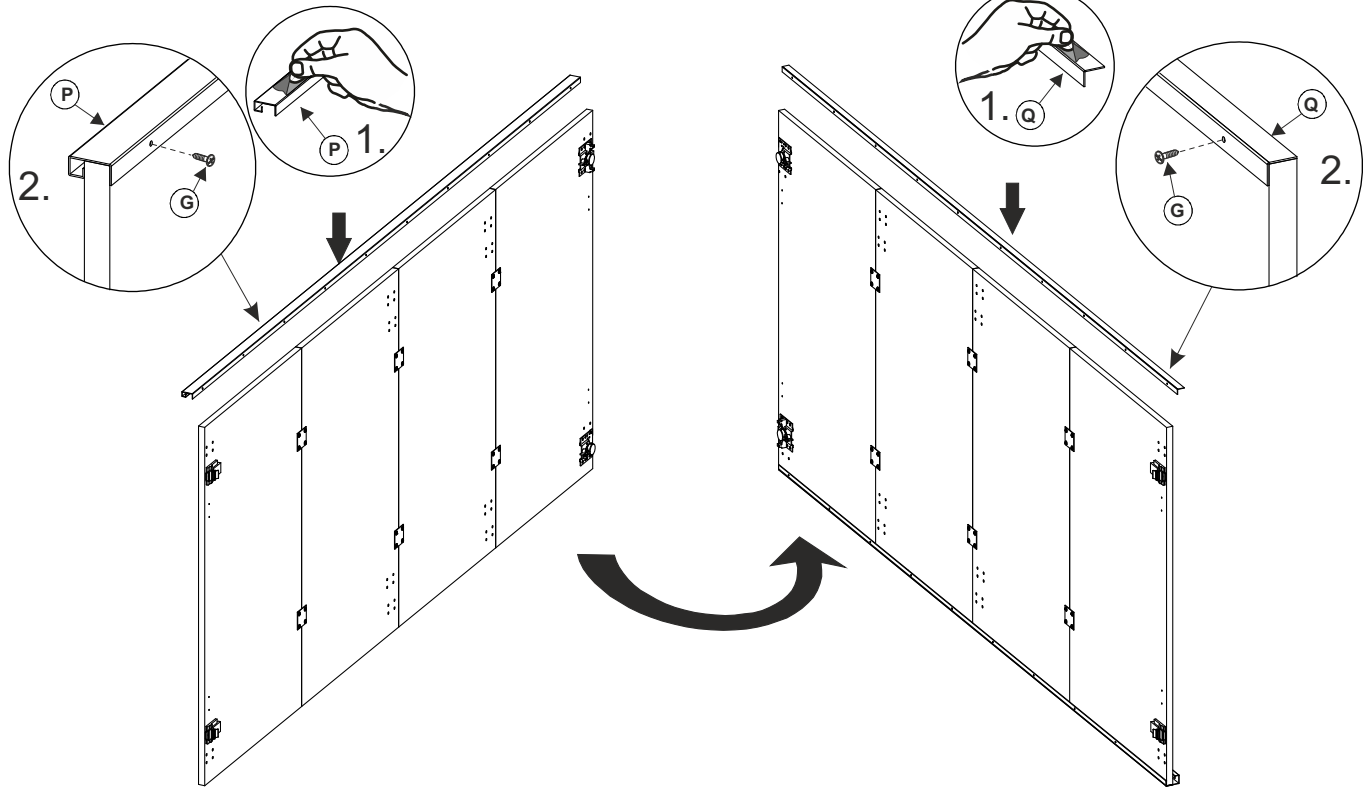




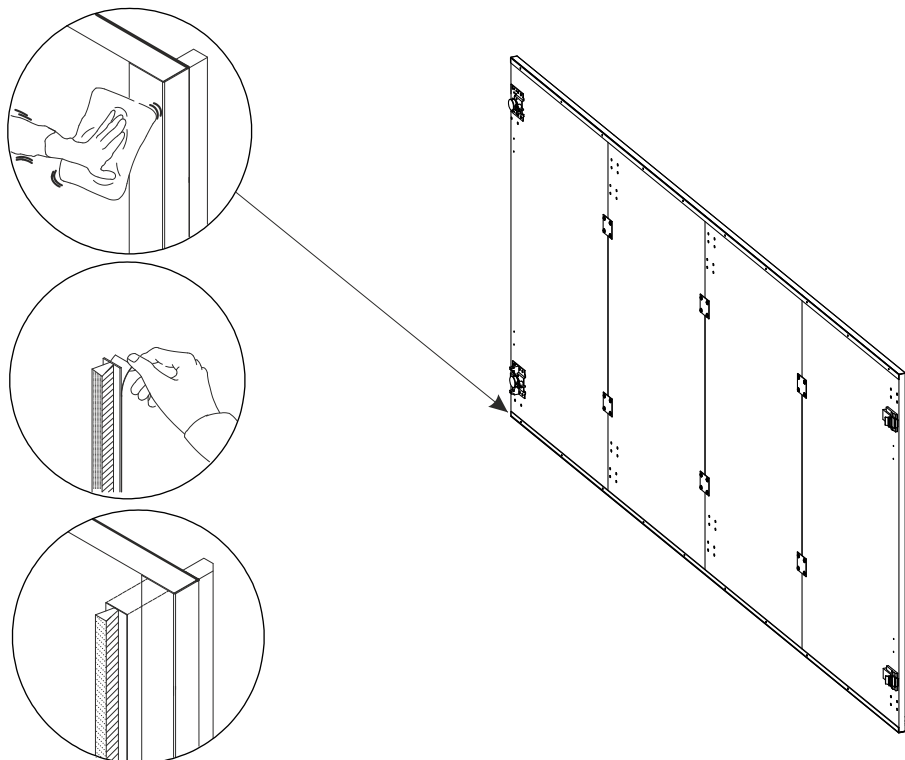
UNIT 2700/2024



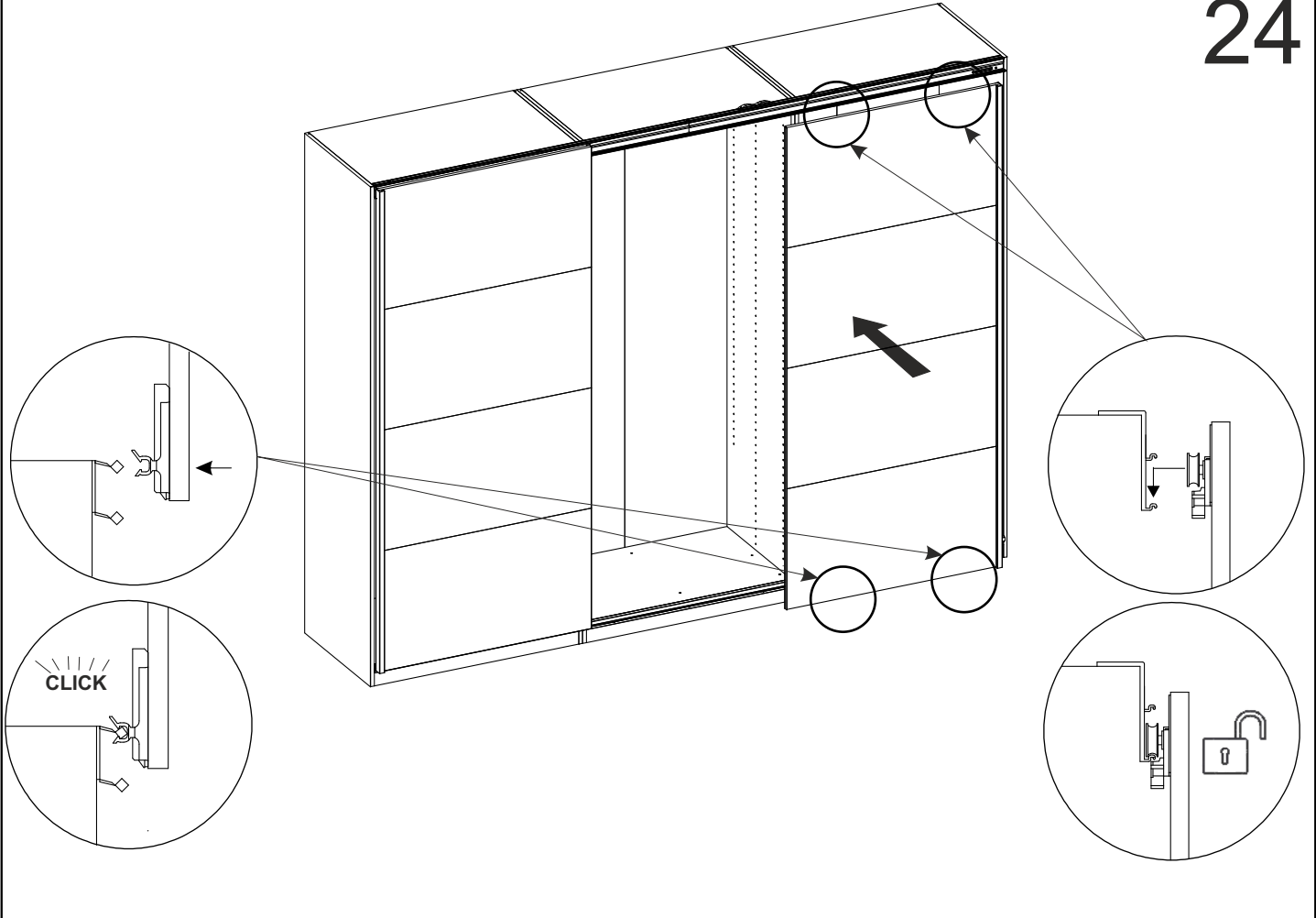
22



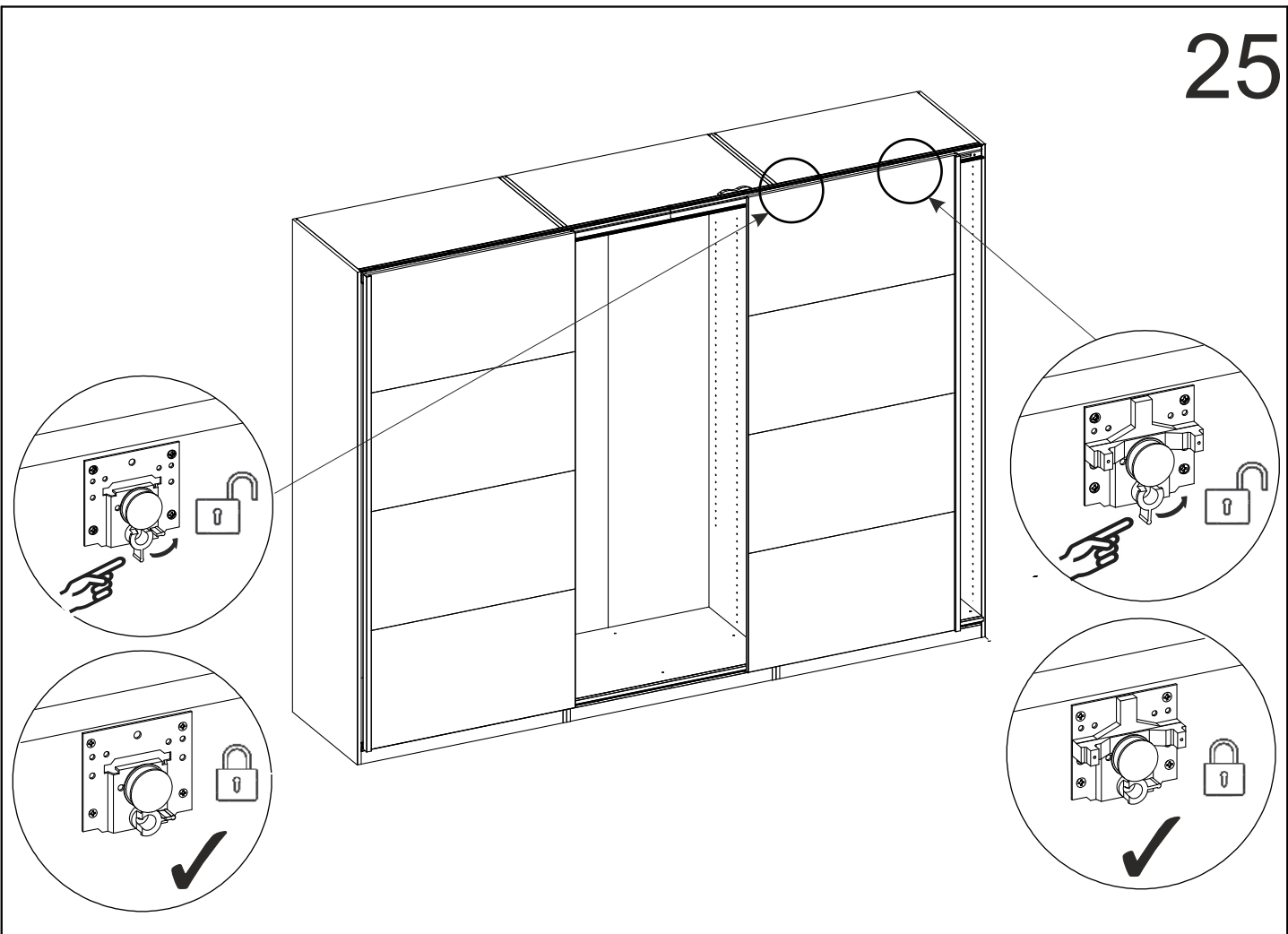
23



24

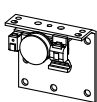
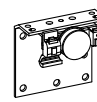
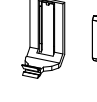

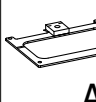



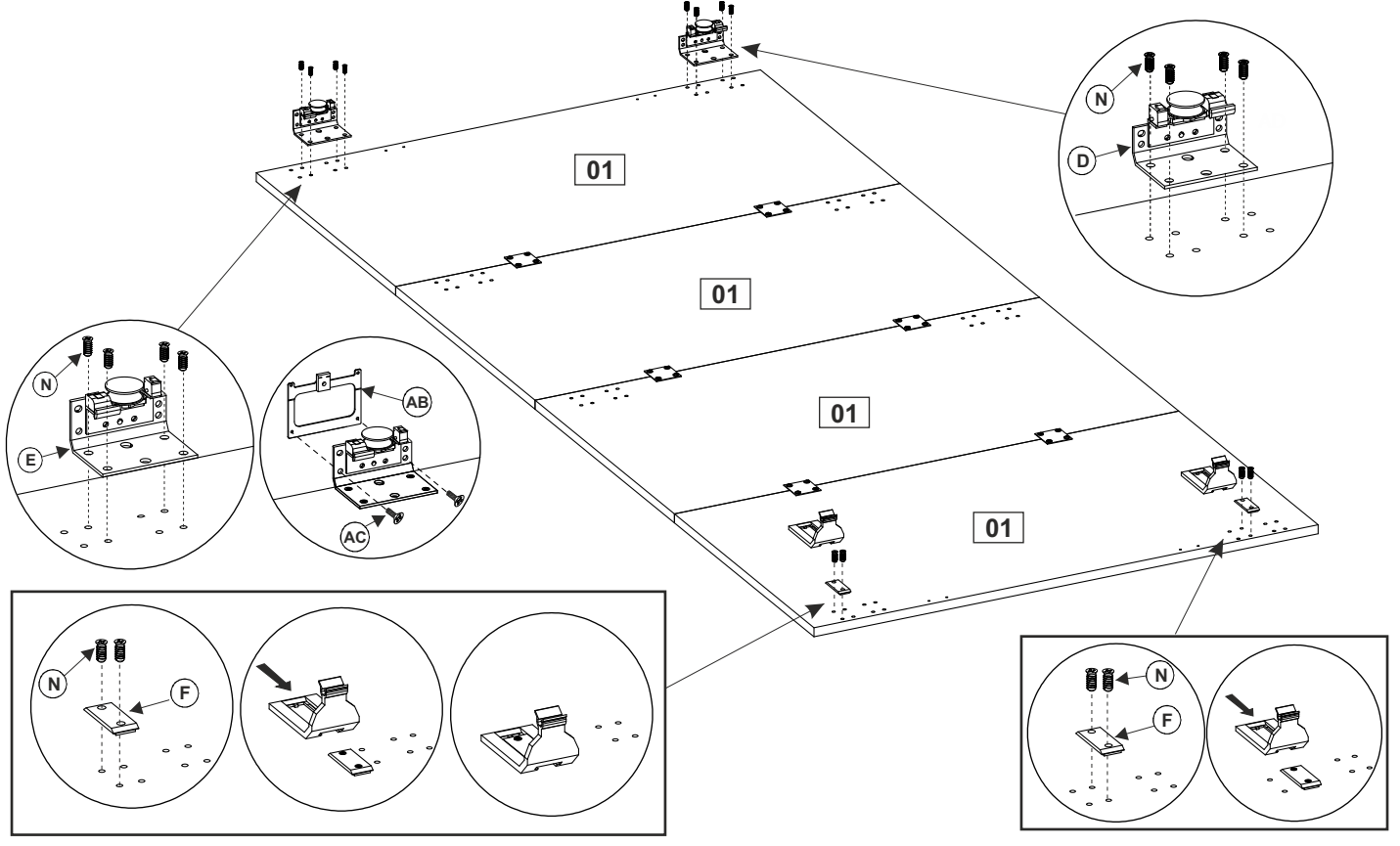
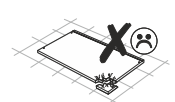
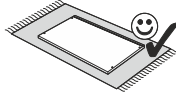
25





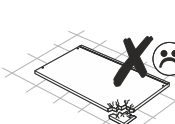
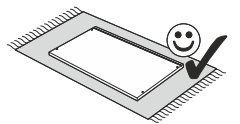
UNIT 2700/2024

26

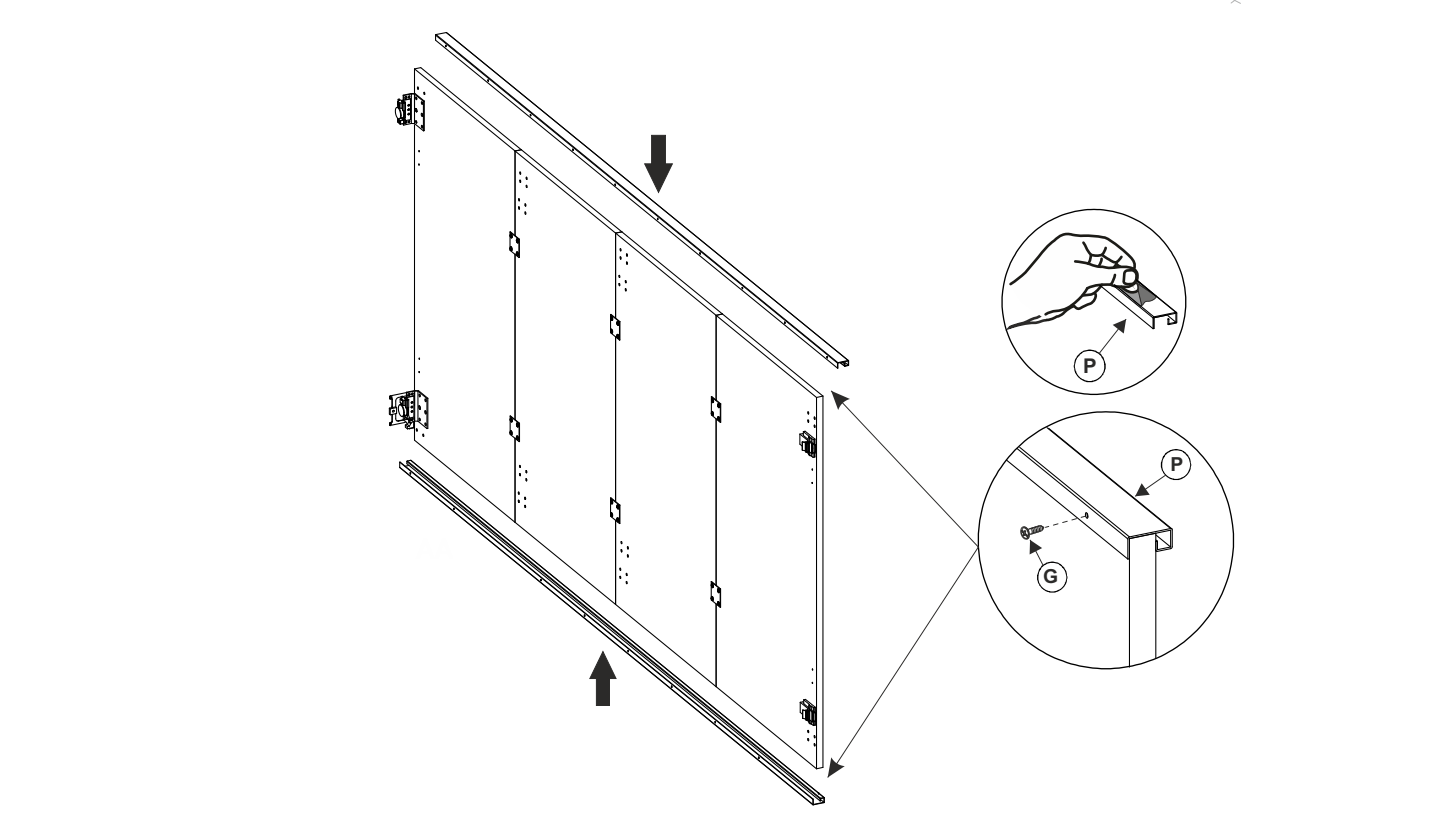
- 1x

D
- 1x

E
- 2x

F
- 12x
6,3x13 mm

N
- 1x

AB
- 2x
M4x6 mm

AC



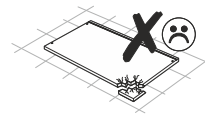
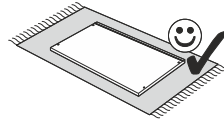
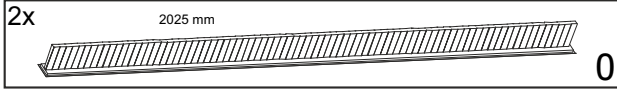
- 2x
 2025 mm
P
- 20x

3,5x13 mm
G



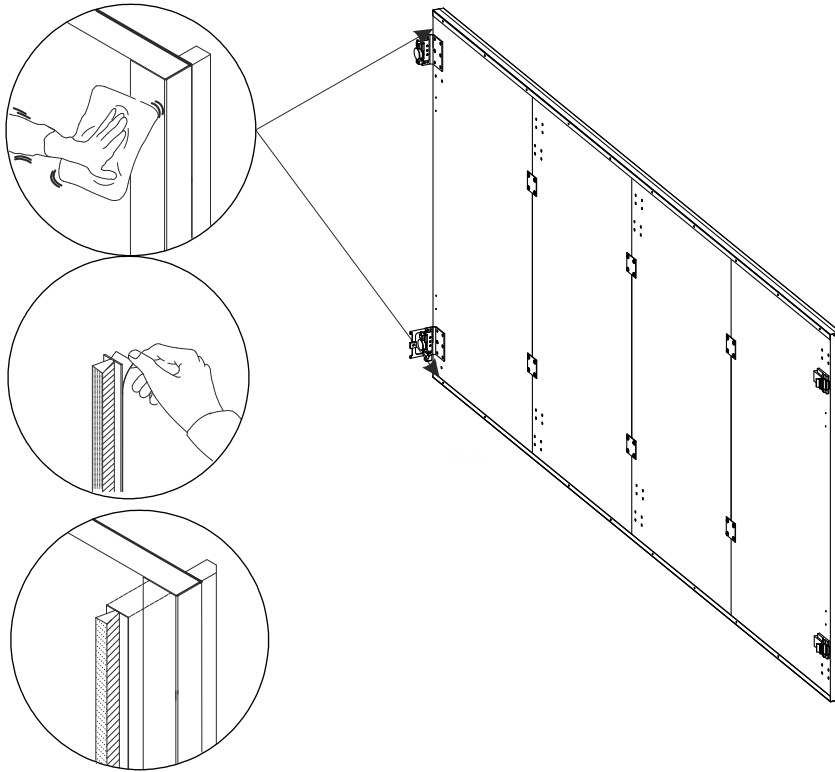
27



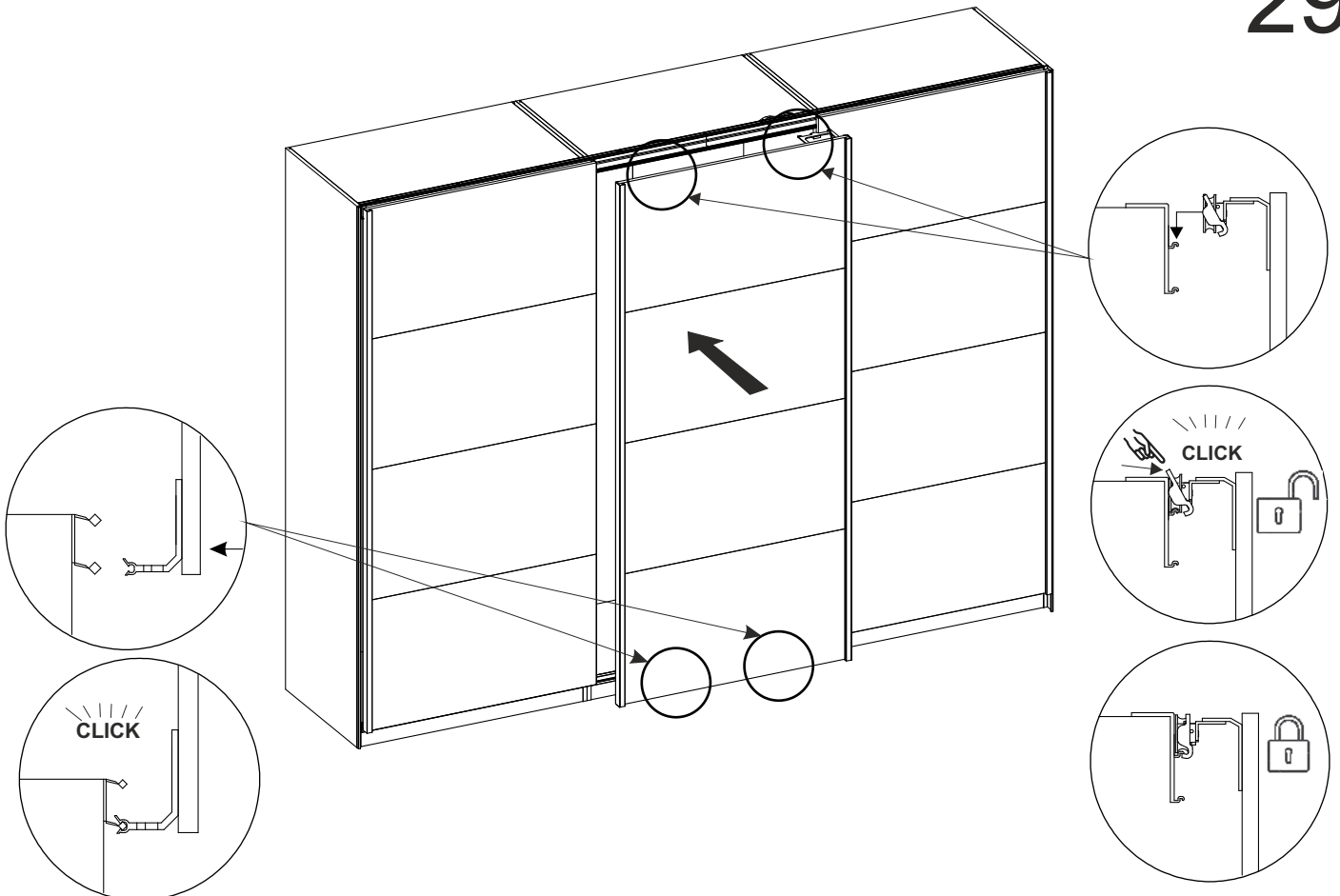
UNIT 2700/2024



28



29



UNIT 2700/2024

30

