

MD208_01

$\varnothing 6\text{mm}$
 $\varnothing 8\text{mm}$

1,5h

Typ 1

Typ 2

| | | |
|-----|-----|-------|
| 11 | 4x | 8x |
| | | |
| 8x | 8x | |
| | | |
| 20x | 20x | |
| | | |
| 10x | 4x | |
| | | |
| 4x | 1x | Typ 2 |
| | | |
| 5x | | |
| 5x | | |
| | | |
| | | |

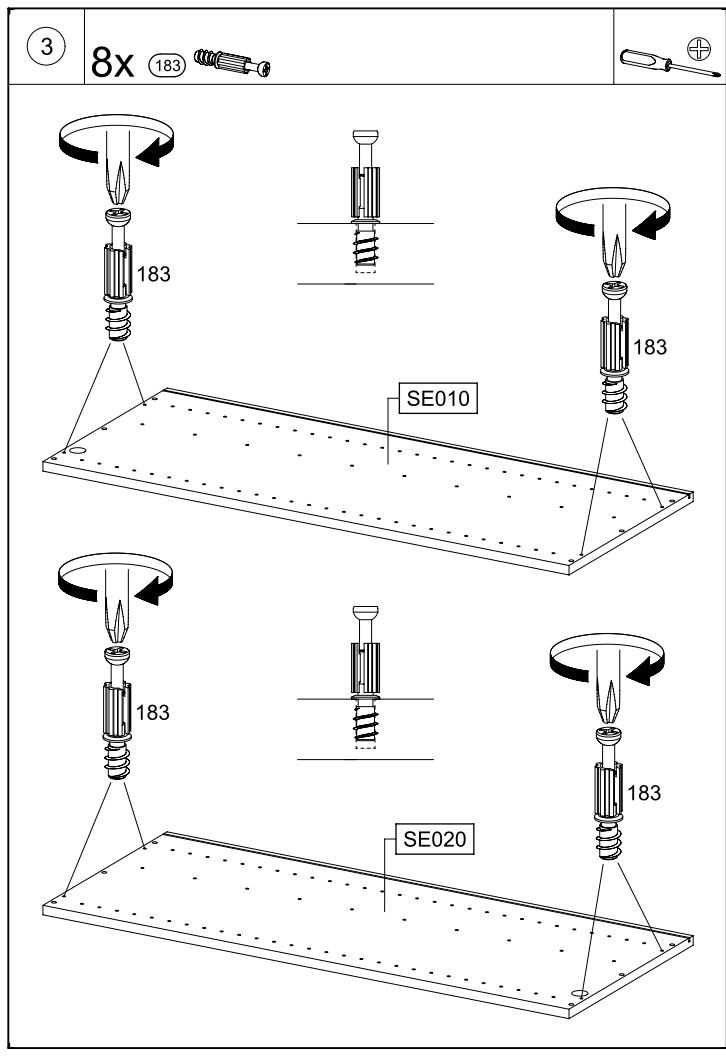
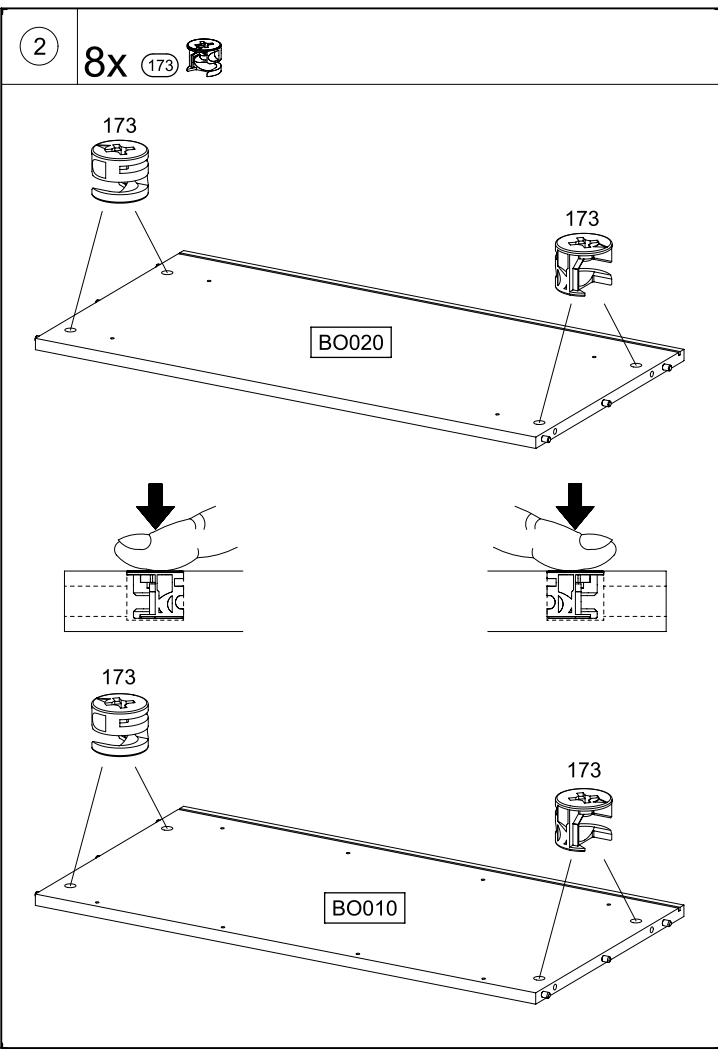
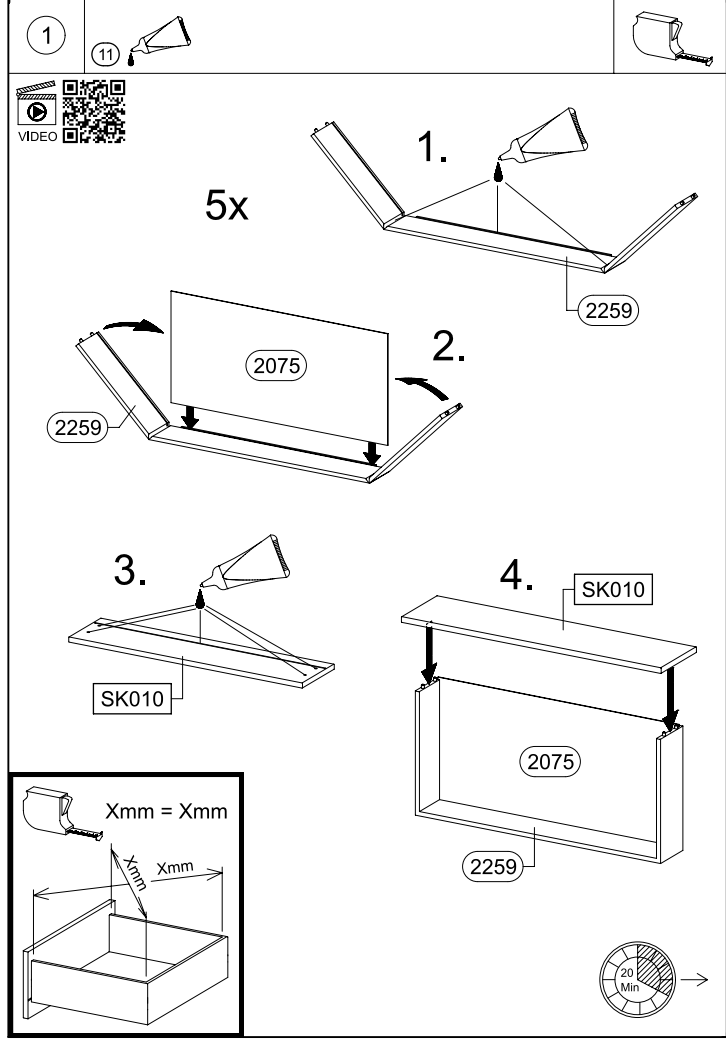
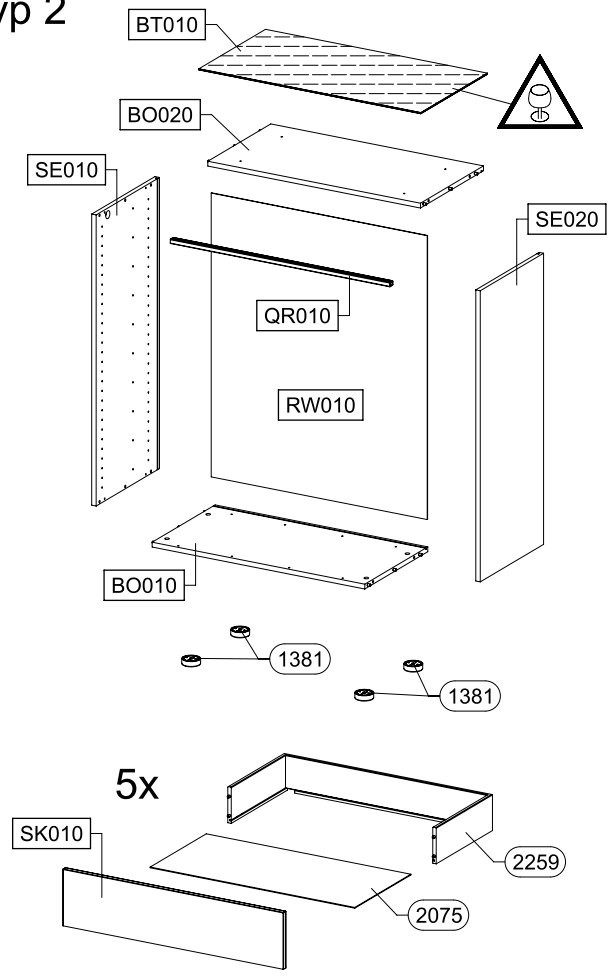
1091 1092 1093
 1147
 6,0x90

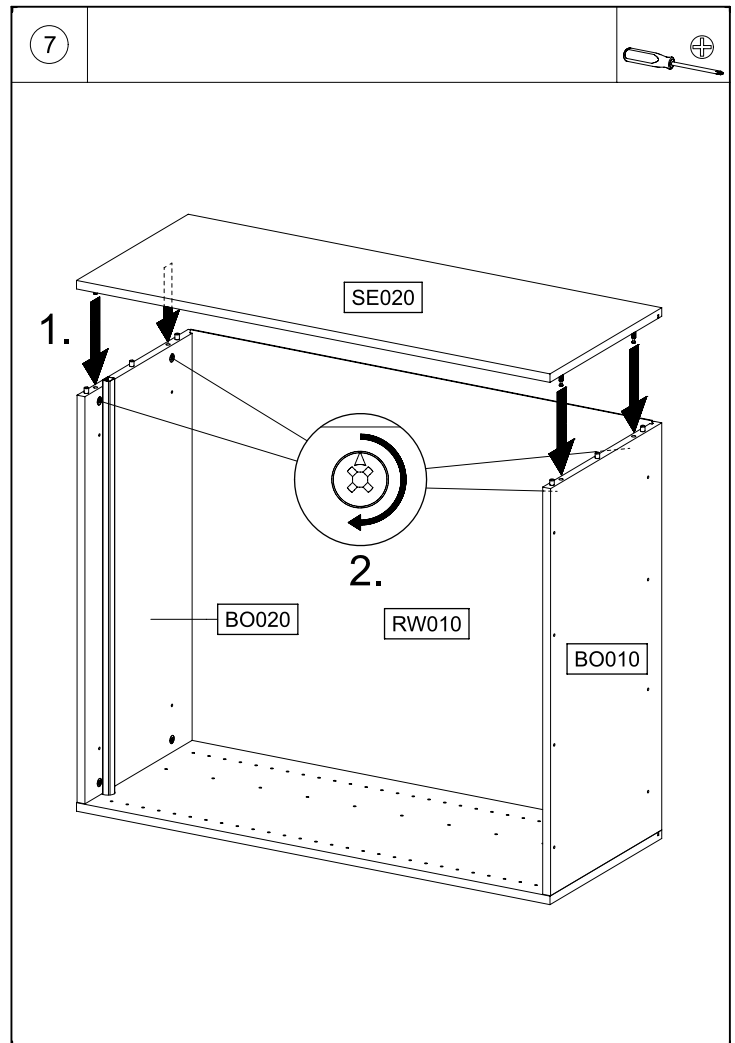
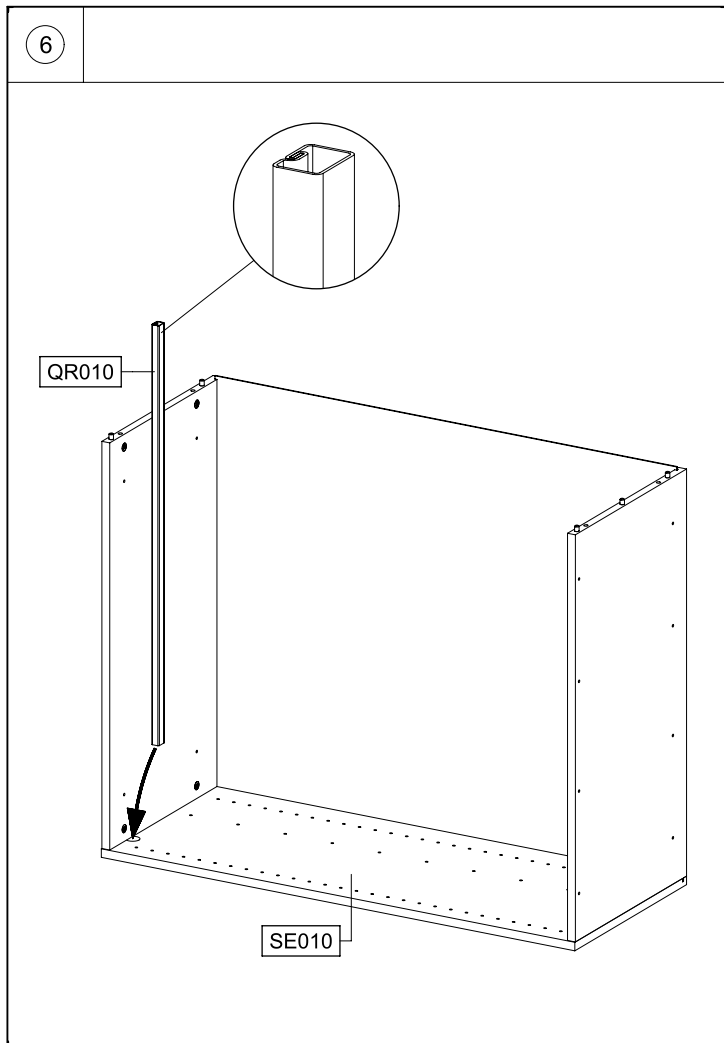
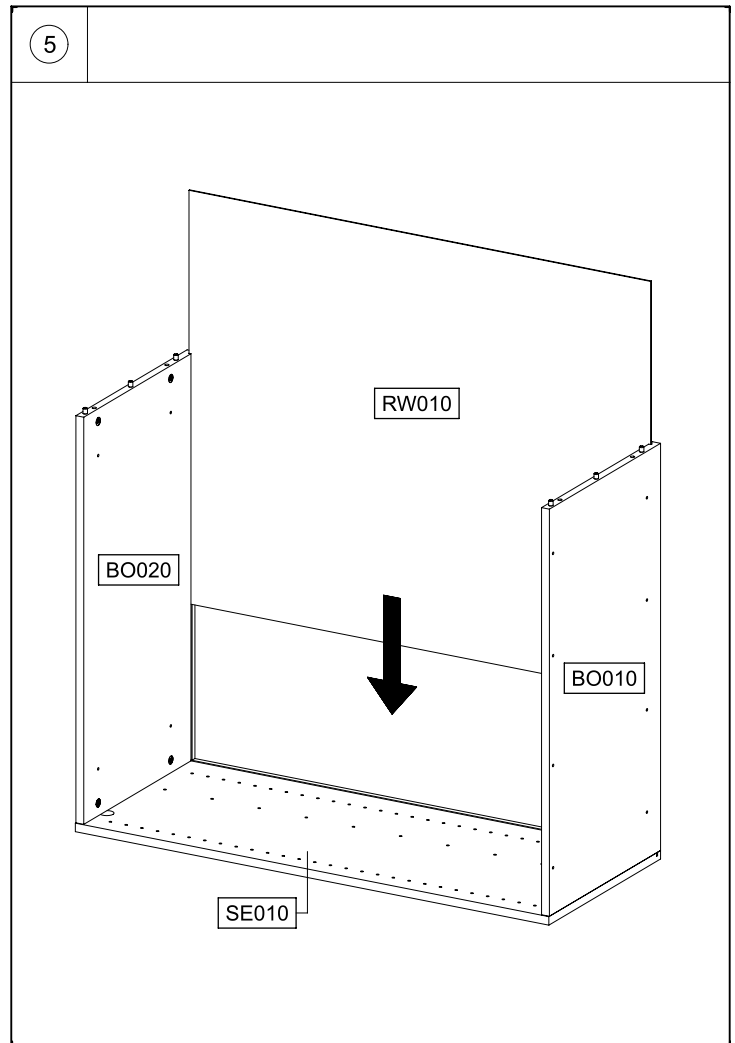
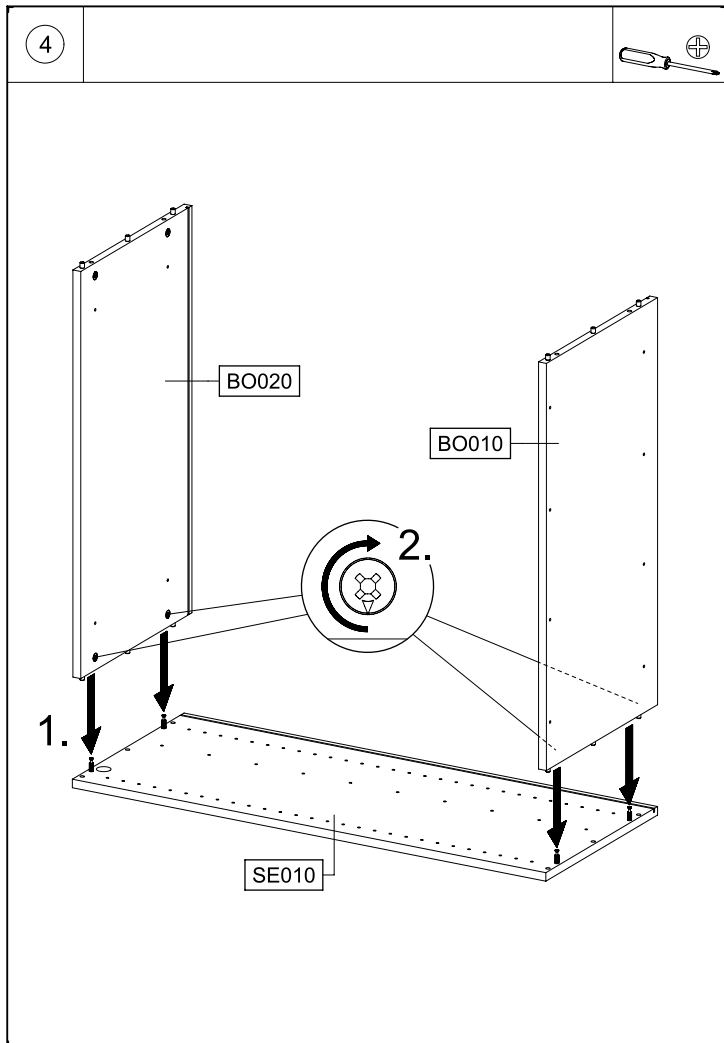
$\varnothing 8\text{mm}$

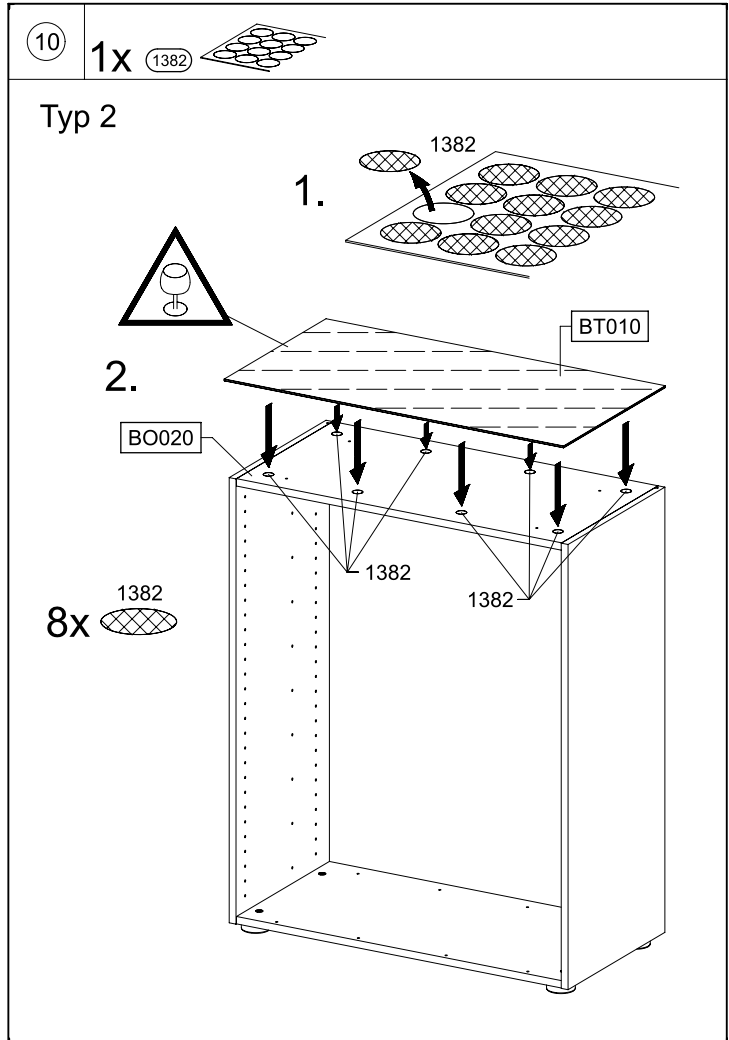
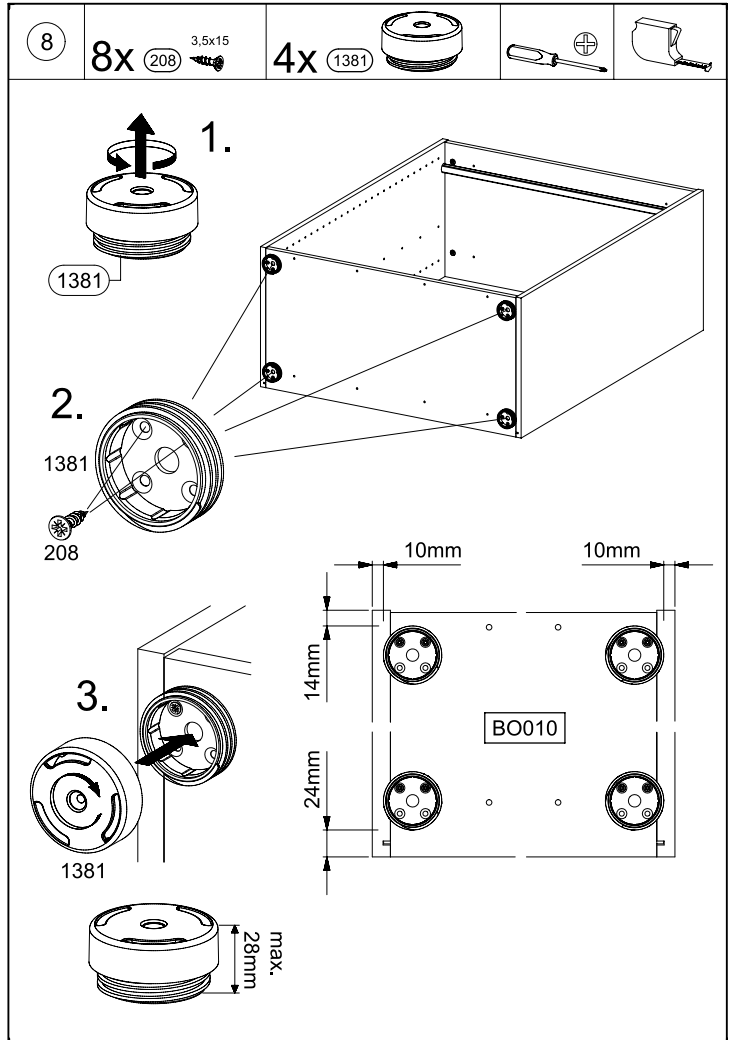
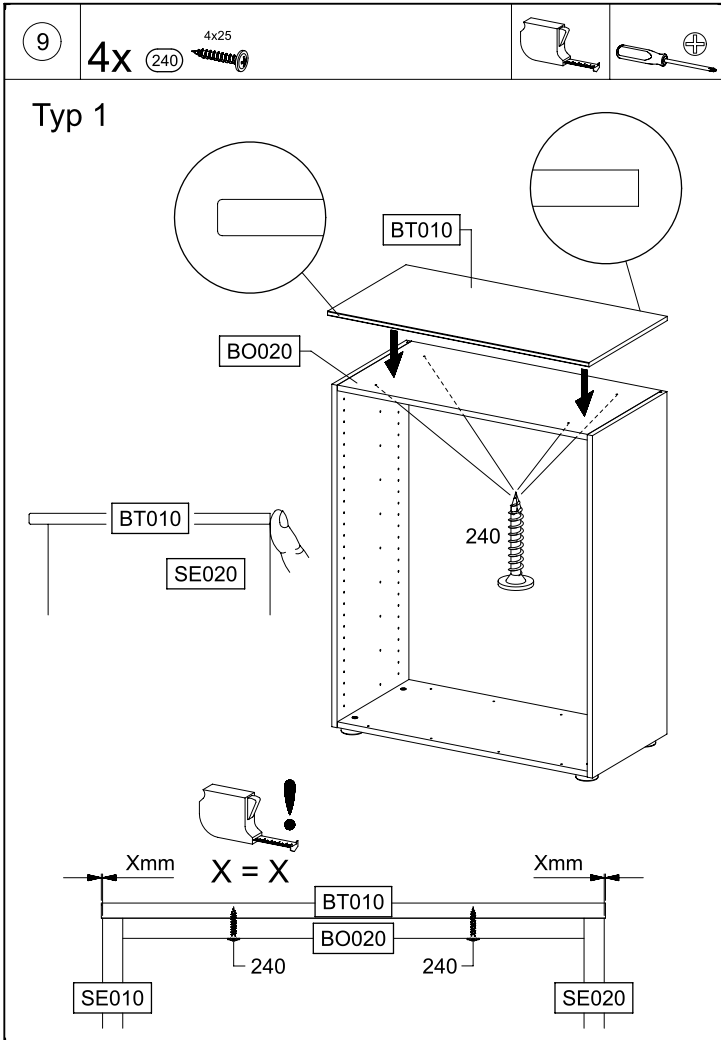
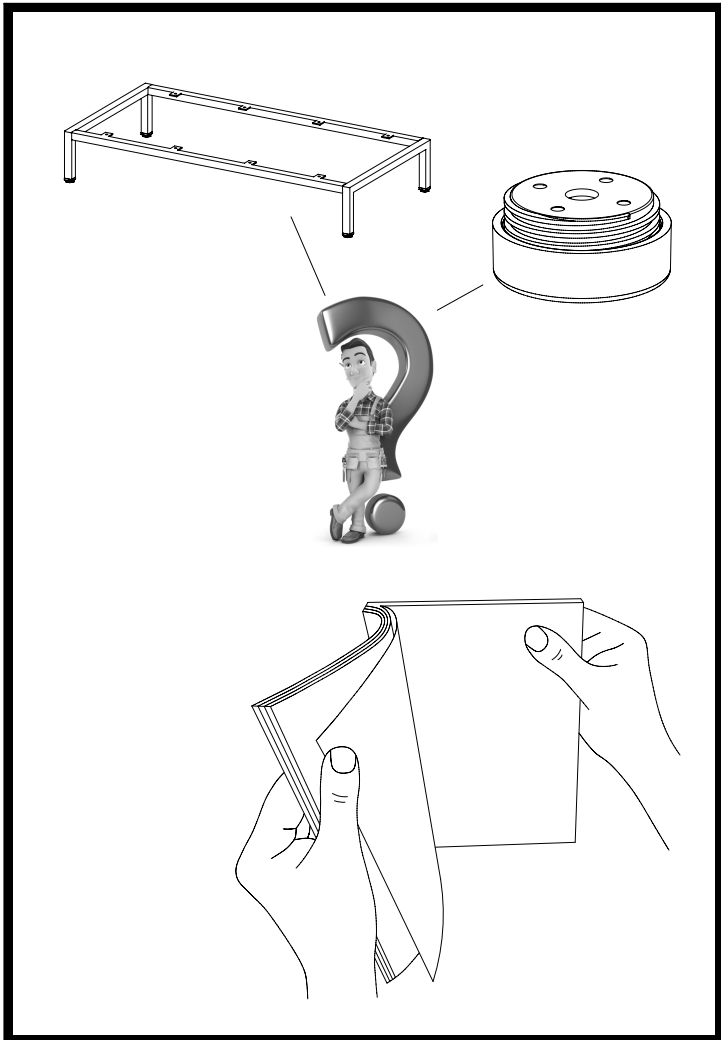
Typ 1

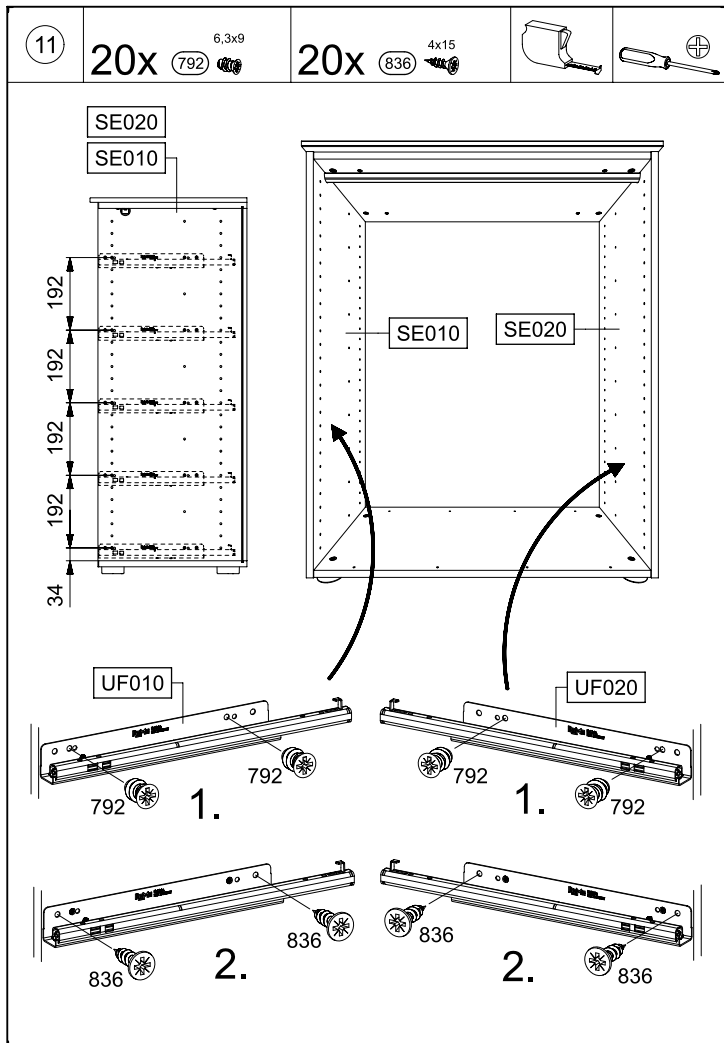
BO020 BT010
 SE010
 QR010
 RW010
 SE020
 BO010
 1381
 1381
 SK010 5x 2259
 2075

Typ 2

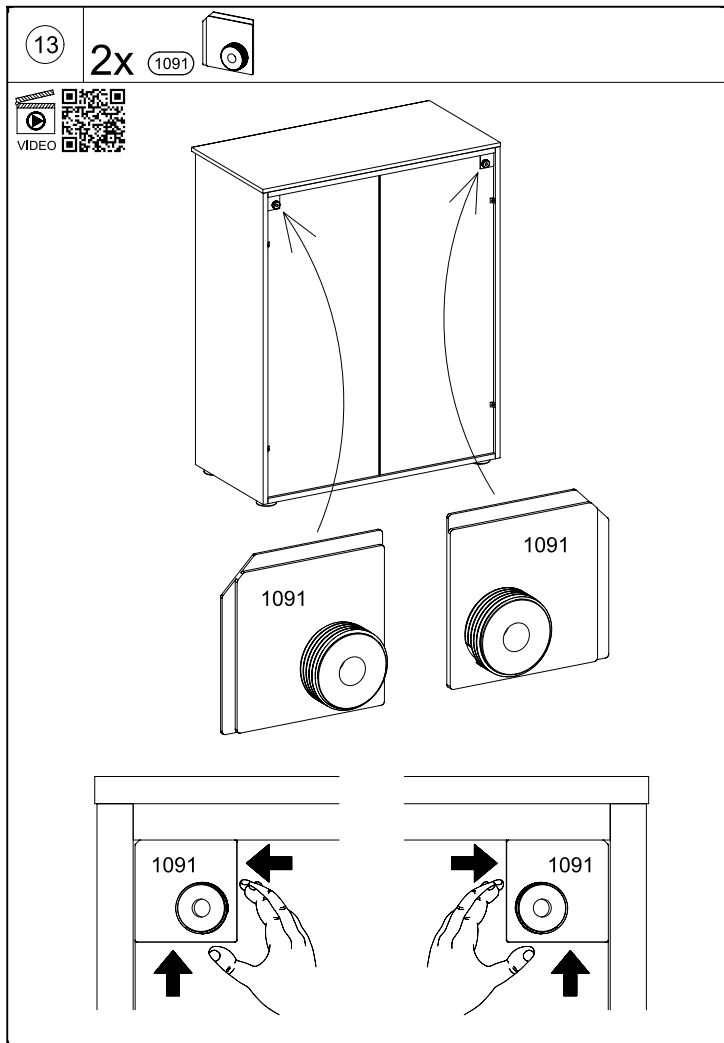




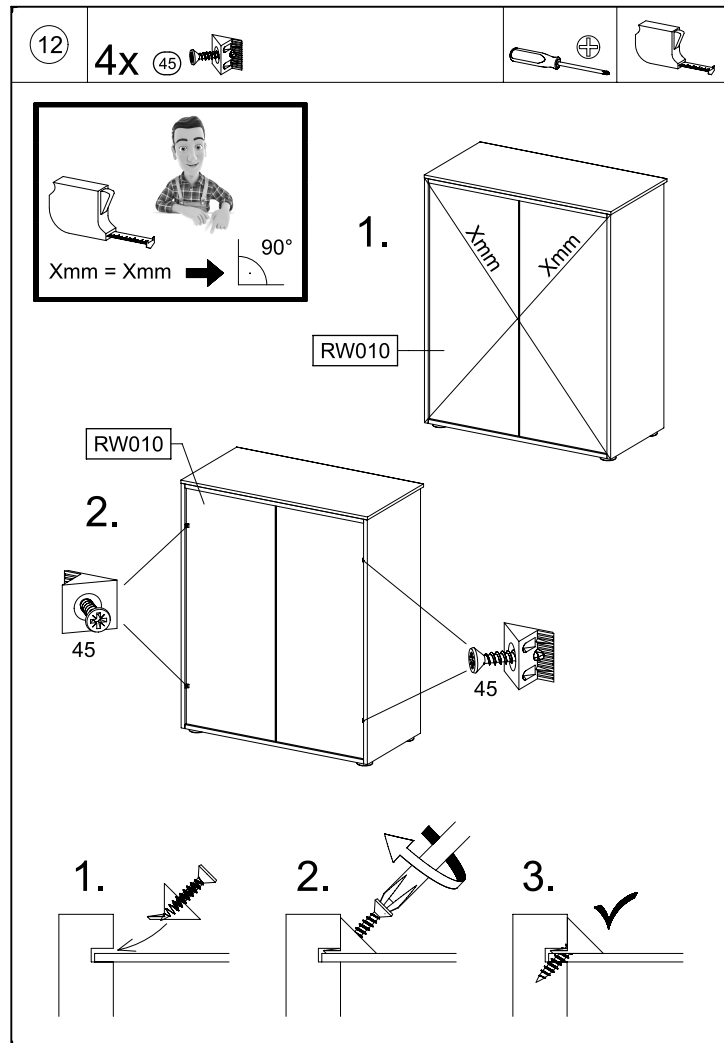




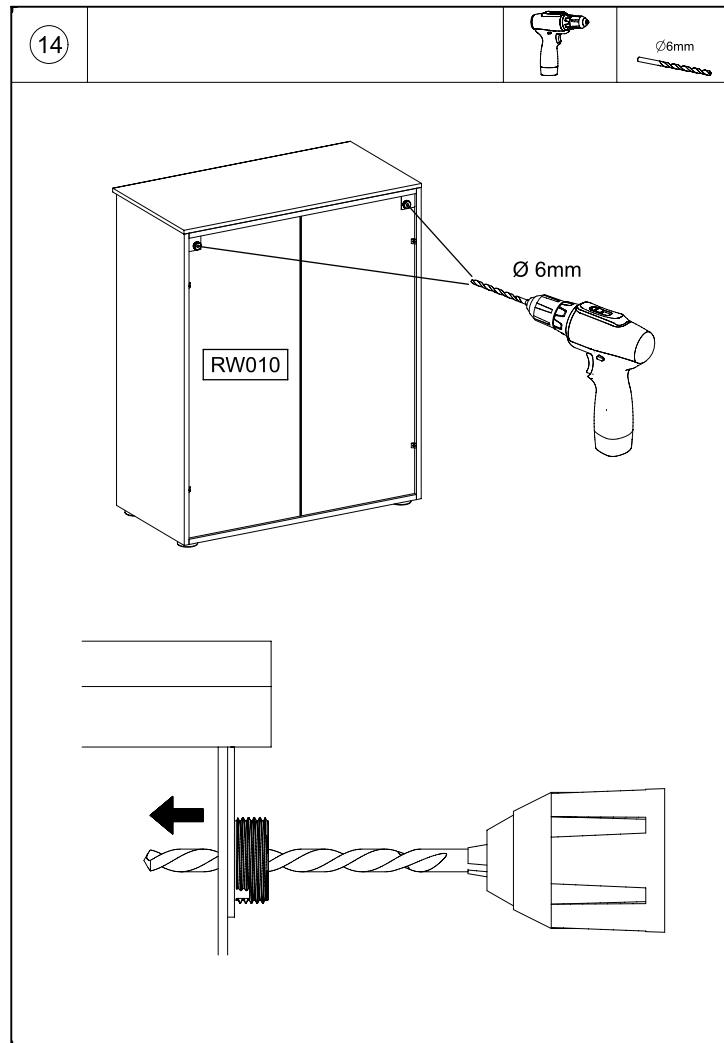
MD208



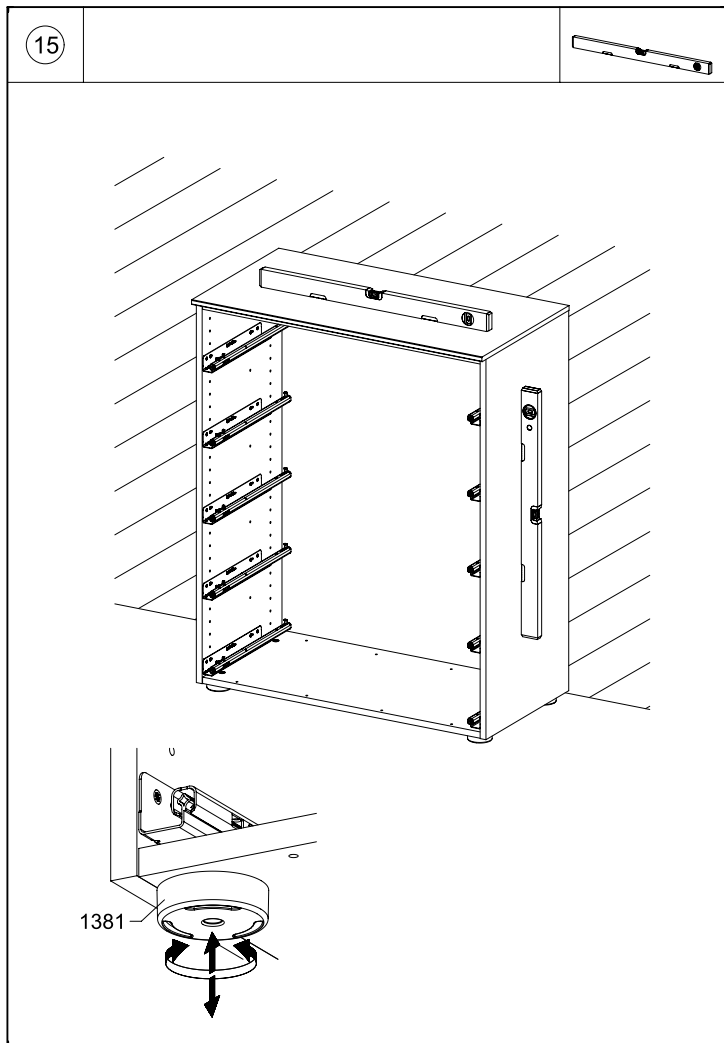
MD208



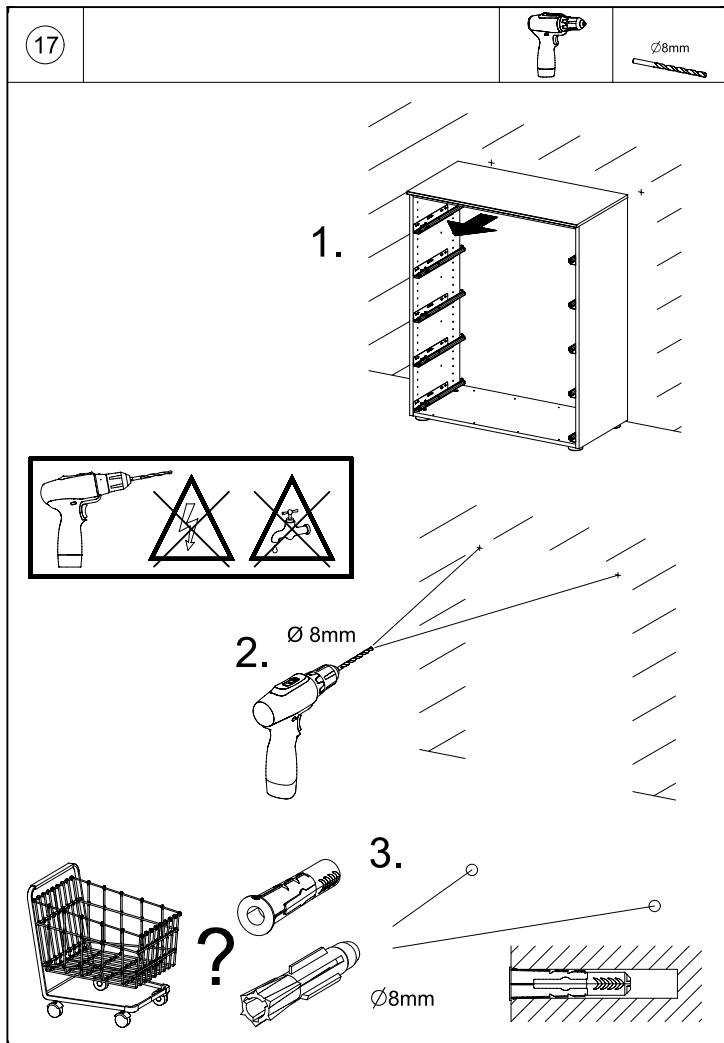
MD208



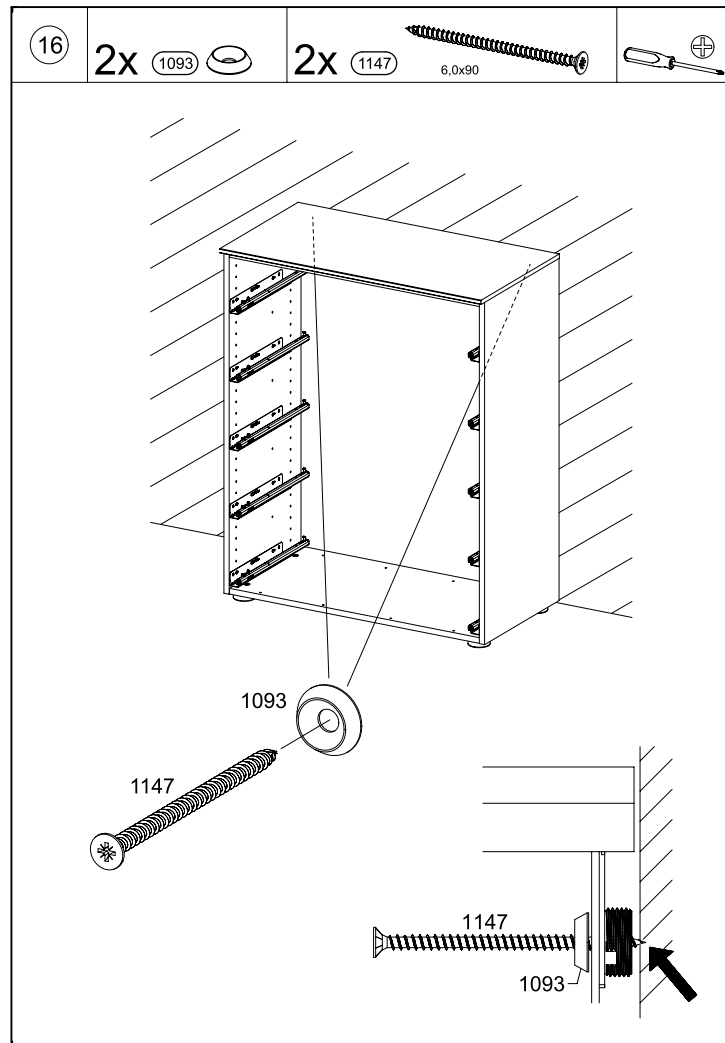
MD208



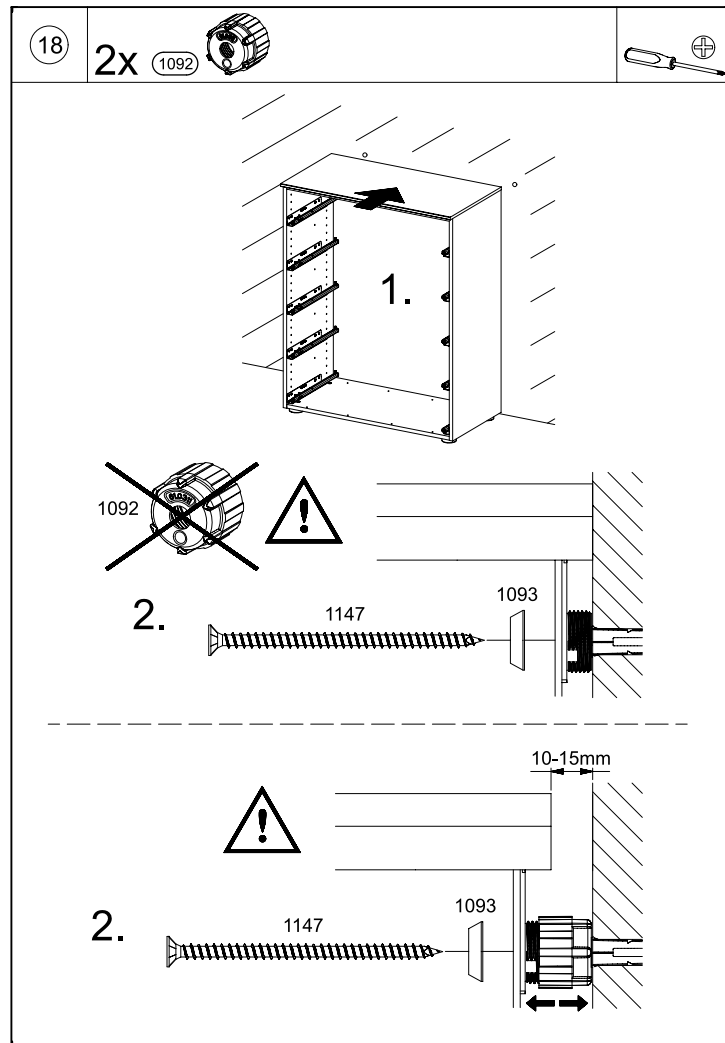
MD206



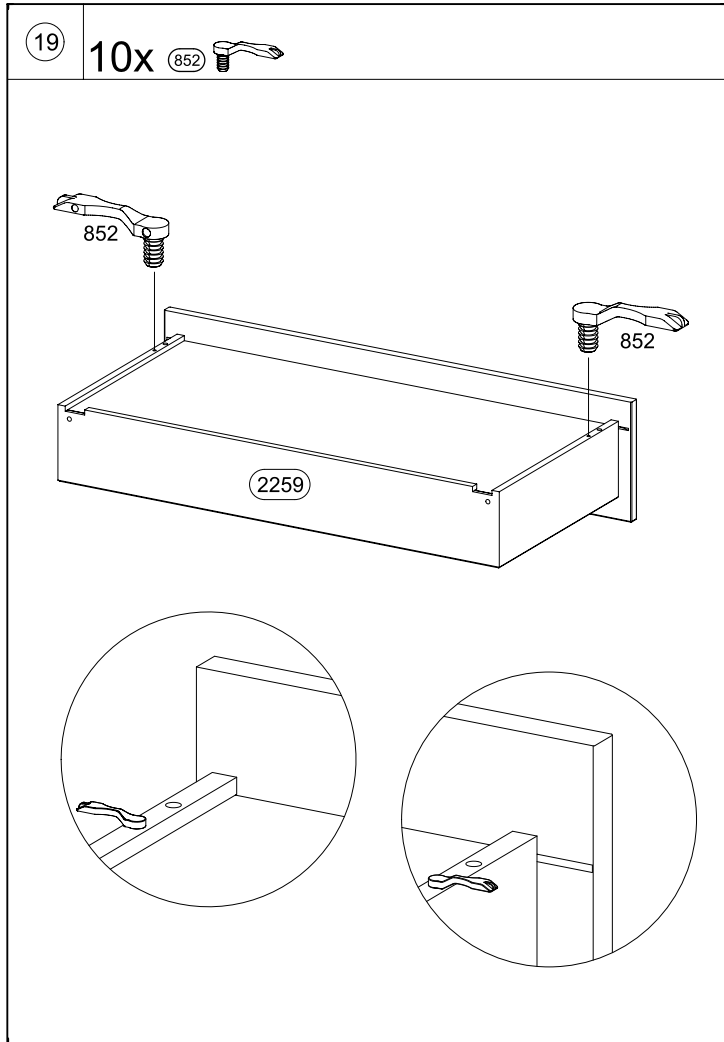
MD206



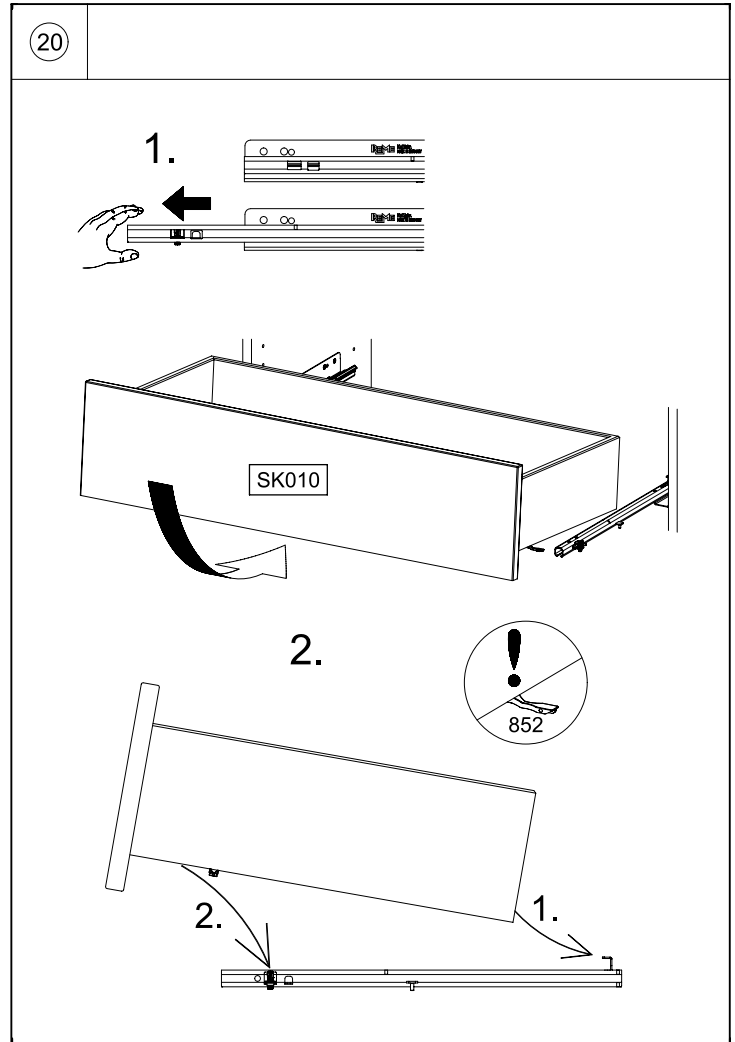
MD206



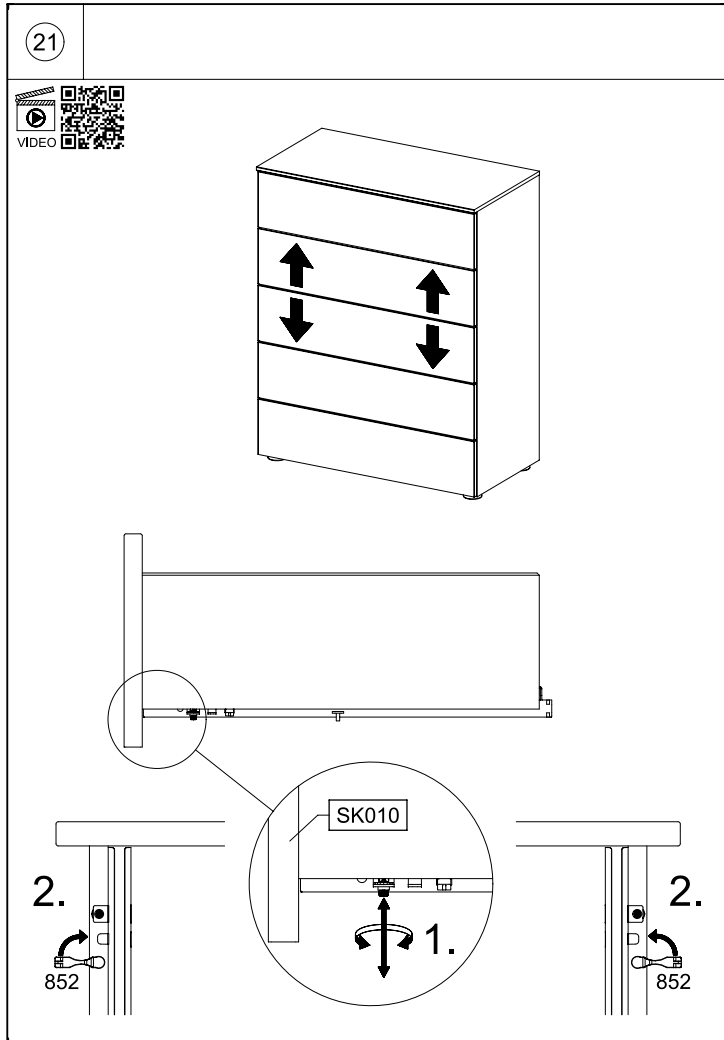
MD206



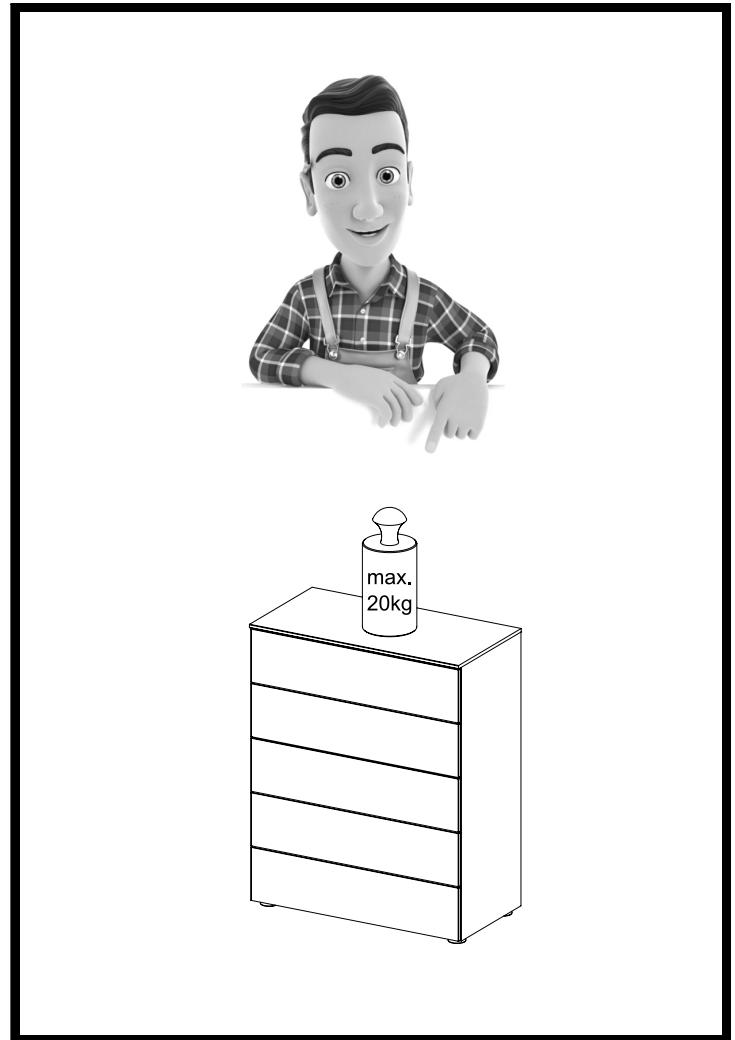
MD208



MD208



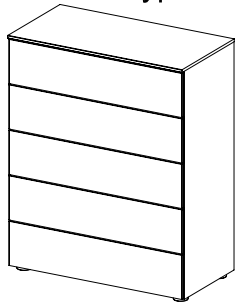
MD208



MD208



Typ 1



Typ 2

