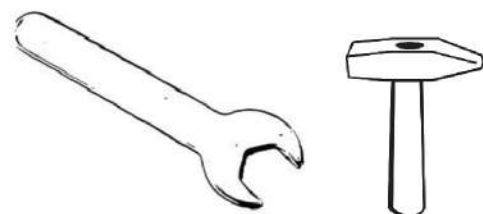
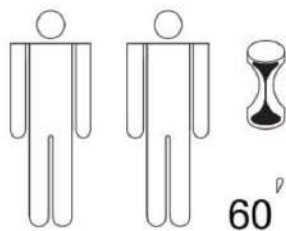
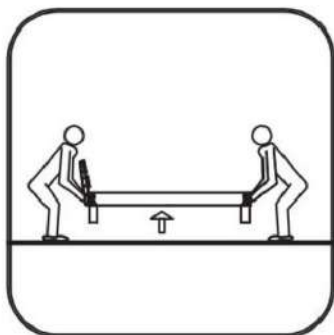
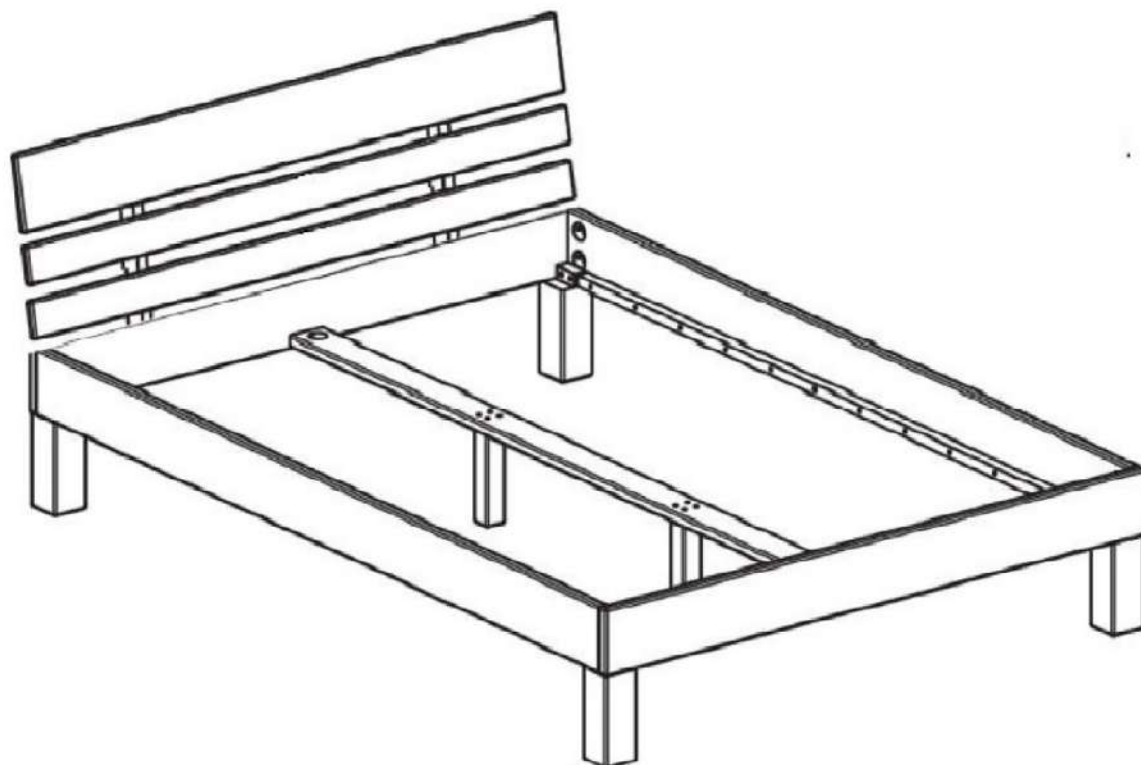








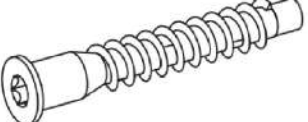
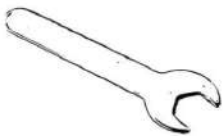
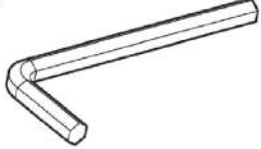
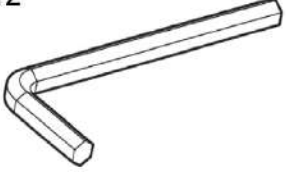
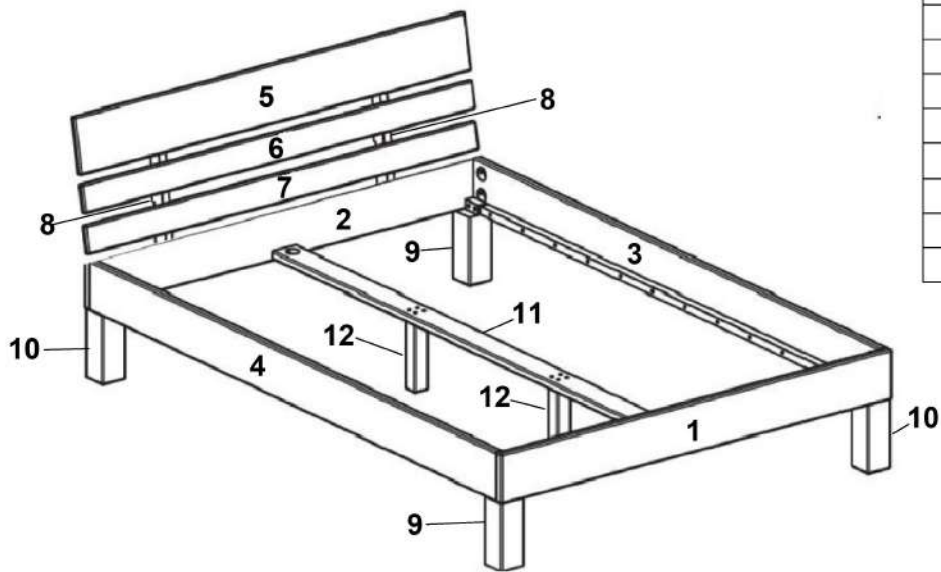


Julia

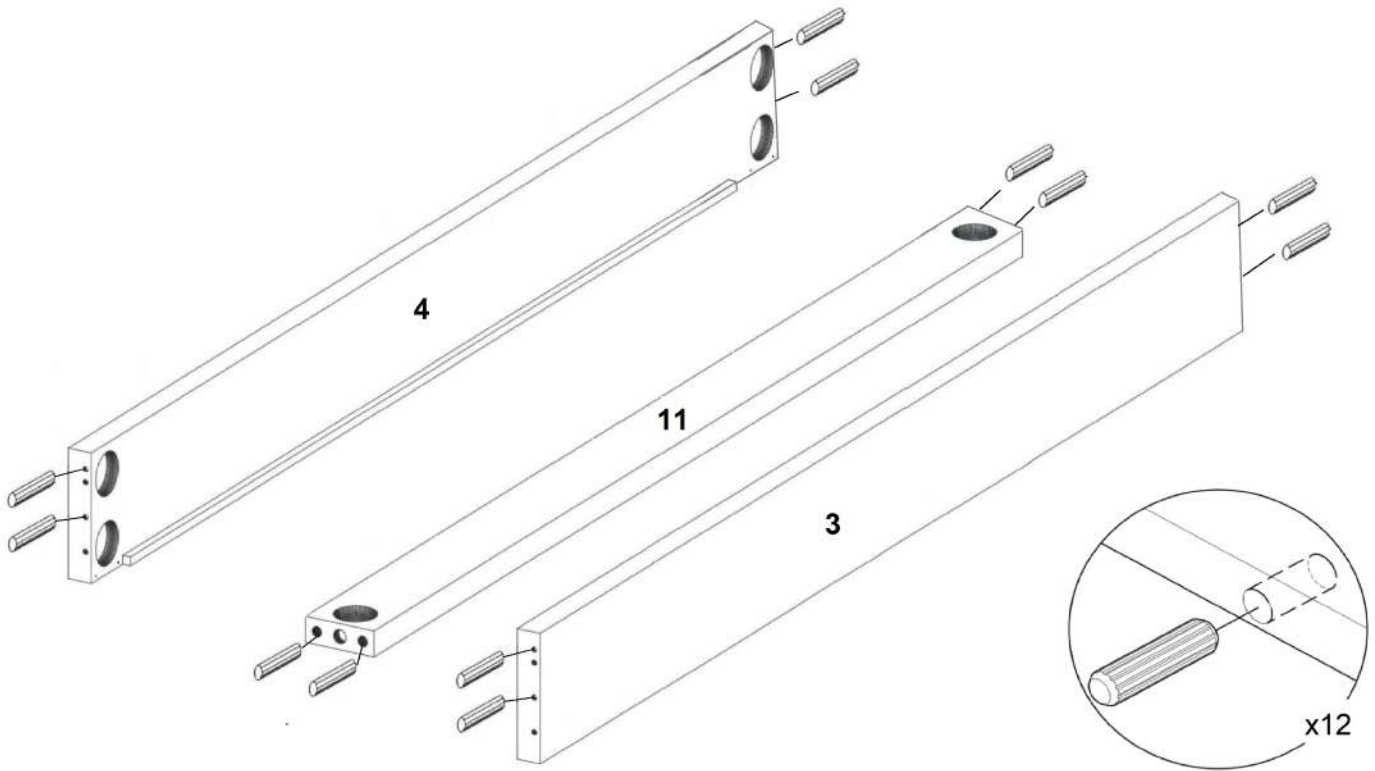
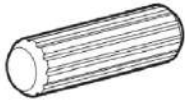


| | | |
|---|---|---|
| A.1  x12 ∅10*35 | A.2  x10 ∅ 8*65 | A.3  x10 ∅ 30*15*10 |
| A.4  x10 ∅ 8*16 | A.5  x10 M8 | A.6  x6 ∅ 40 |
| A.7  x12 ∅ 6*40 | A.8  x8 ∅ 8*45 | A.9  x4 ∅ 6.4*50 |
| A.10  x1 №13 | A.11  x1 №4 | A.12  x1 №5 |

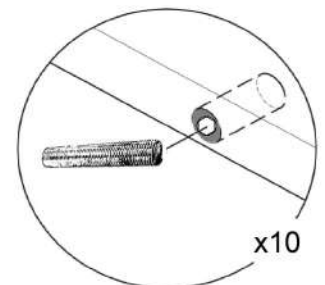
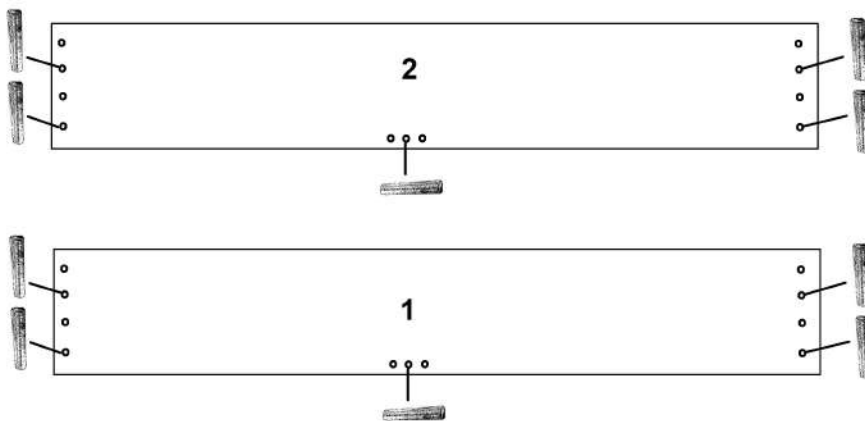


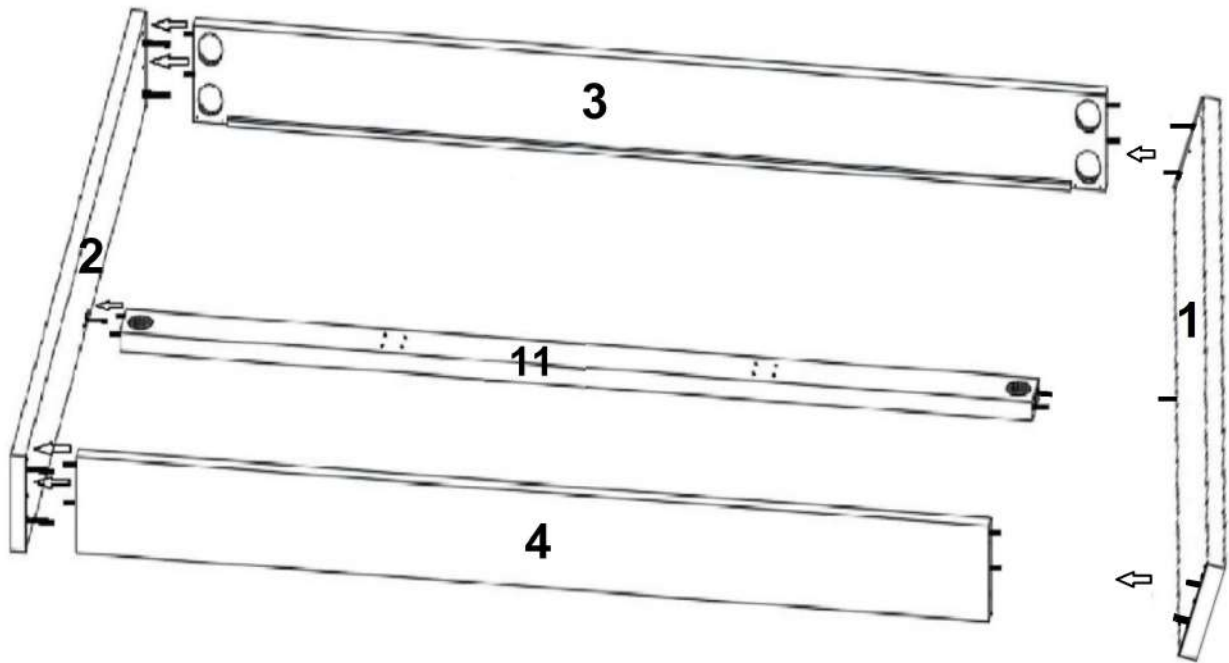
| No | | Sizes | Coll |
|----|----|-------------|------|
| 1 | x1 | 1455x150x25 | 1/2 |
| 2 | x1 | 1455x150x25 | 1/2 |
| 3 | x1 | 2005x150x25 | 1/2 |
| 4 | x1 | 2005x150x25 | 1/2 |
| 5 | x1 | 1455x150x20 | 1/2 |
| 6 | x1 | 1455x73x20 | 1/2 |
| 7 | x1 | 1455x73x20 | 1/2 |
| 8 | x2 | 545x60x25 | 1/2 |
| 9 | x2 | 240x85x85 | 2/2 |
| 10 | x2 | 240x85x85 | 2/2 |
| 11 | x1 | 2005x90x25 | 1/2 |
| 12 | x2 | 215x50x50 | 2/2 |




A.1 x12
 $\varnothing 10 \times 35$

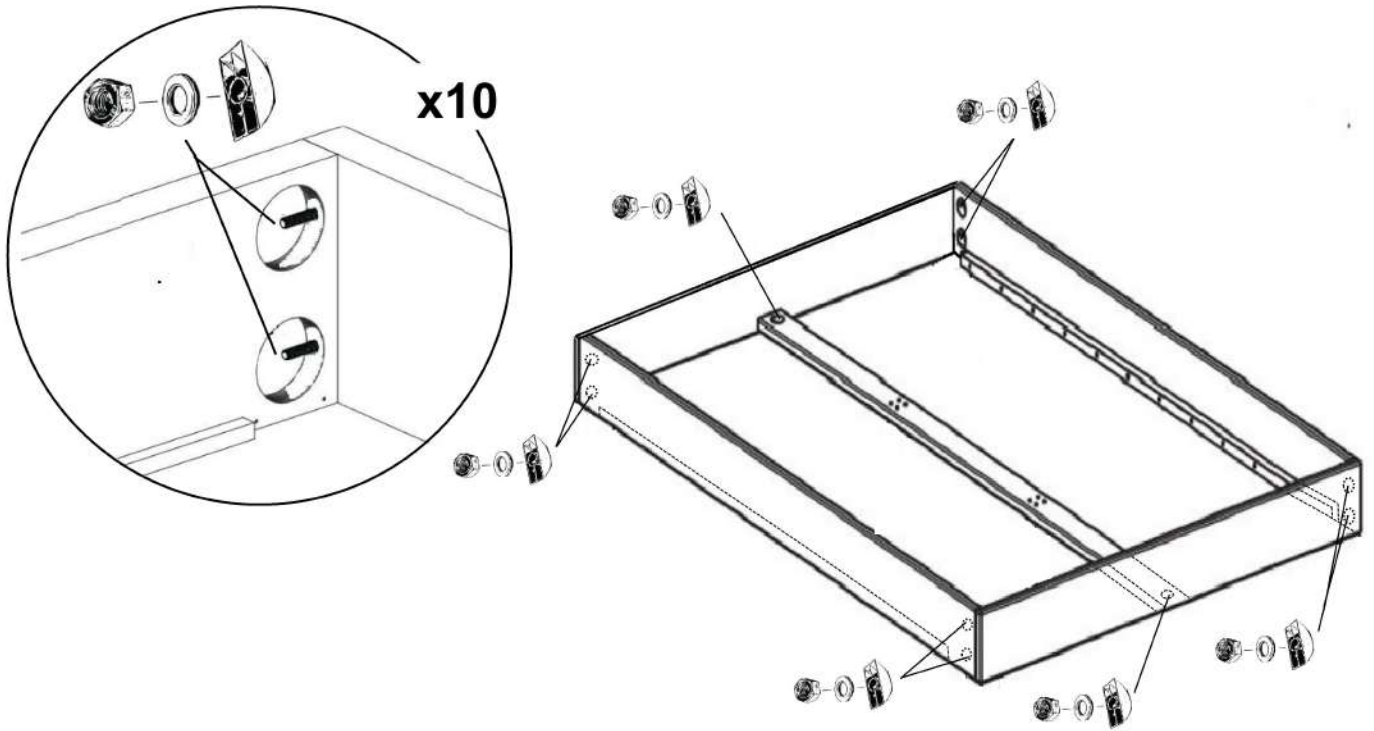


A.2 x10
 $\varnothing 8 \times 65$





| | | | |
|---|---|--|--|
| <p>A.3 x10</p>  <p>Ø 30*15*10</p> | <p>A.4 x10</p>  <p>Ø 8*16</p> | <p>A.5 x10</p>  <p>M8</p> | |
|---|---|--|--|

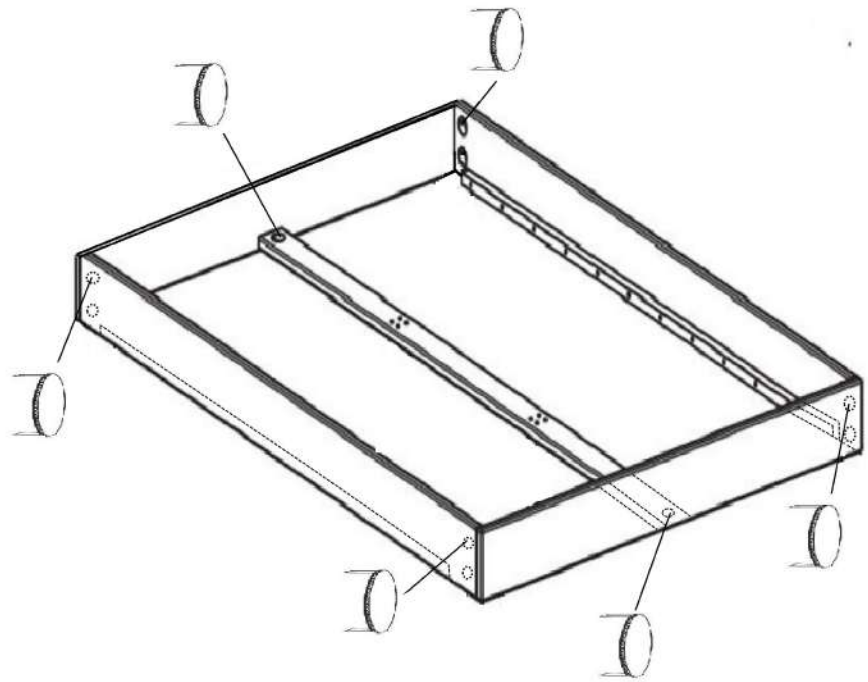
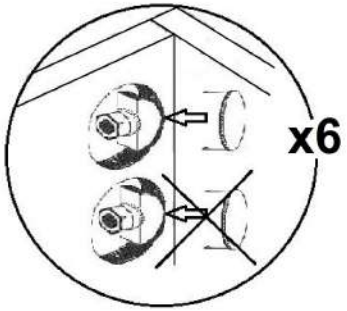


A.6



x6

Ø 40

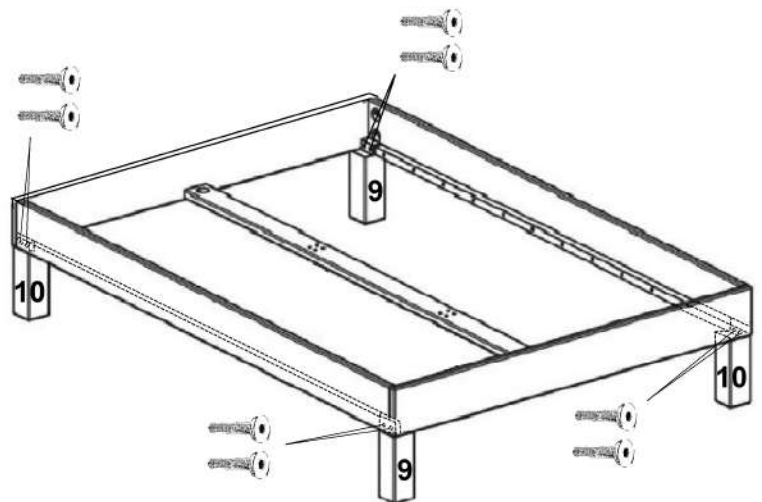
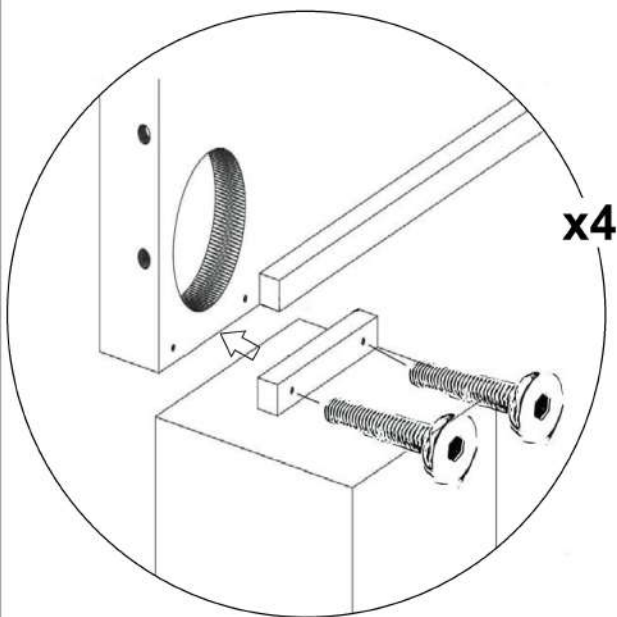
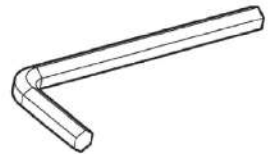


A.8



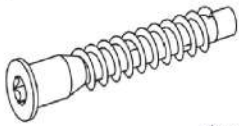
x8

Ø 8*45

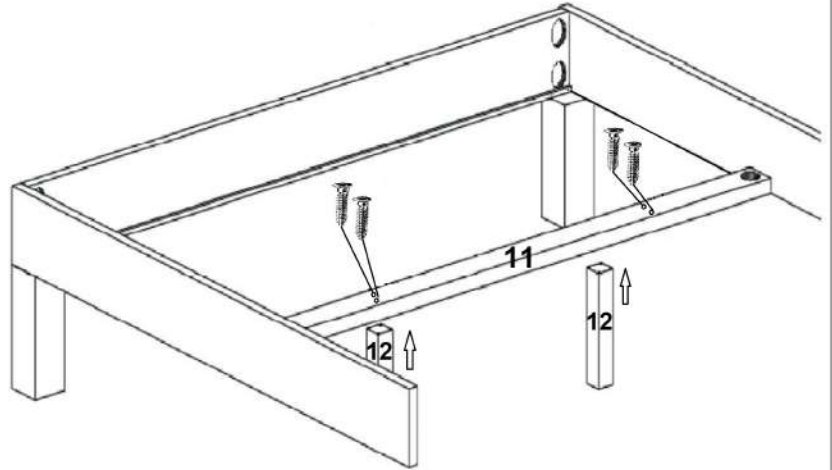
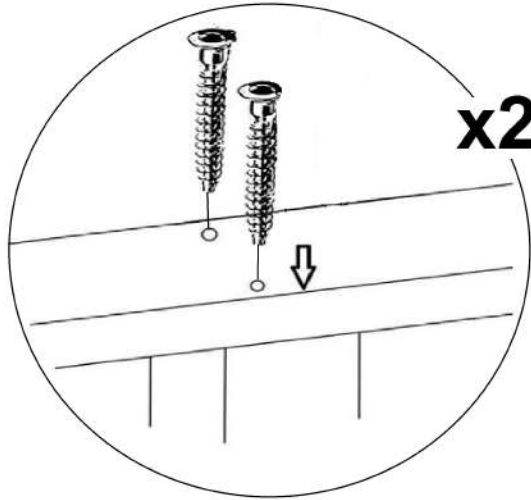
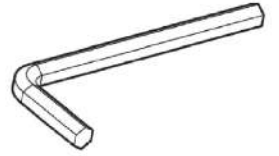


A.9

x4



Ø 6.4*50



A.7

x12



Ø 6*40

