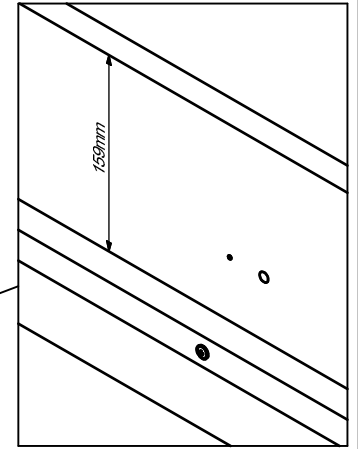
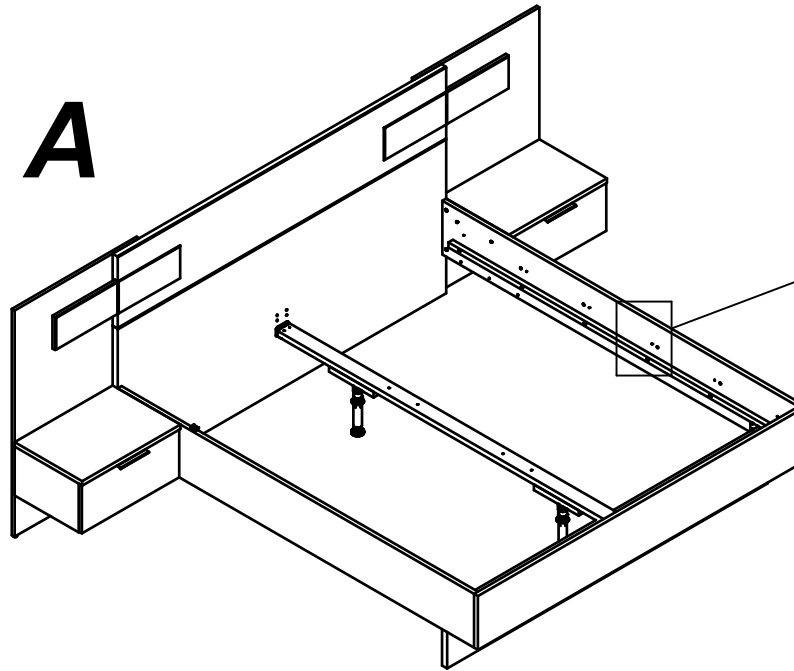
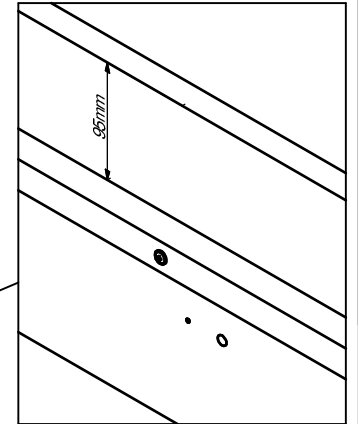
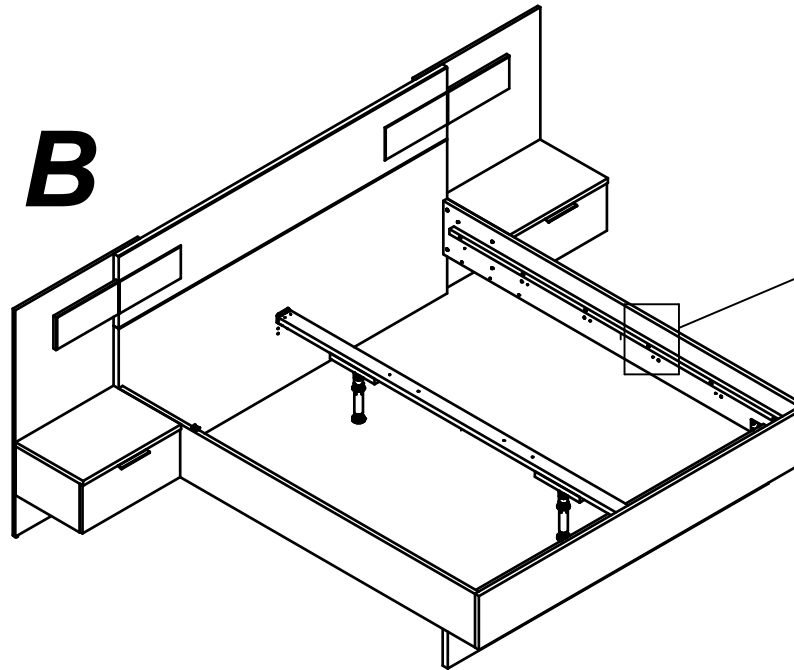
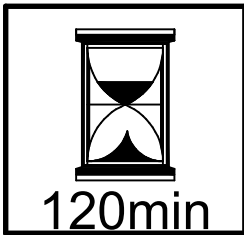
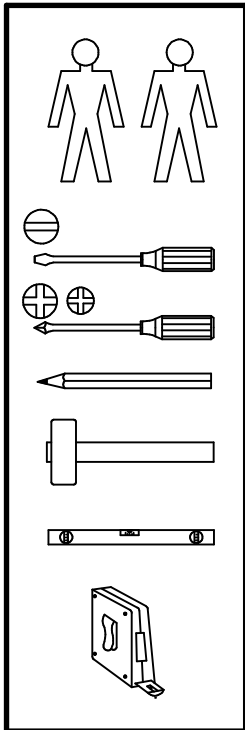
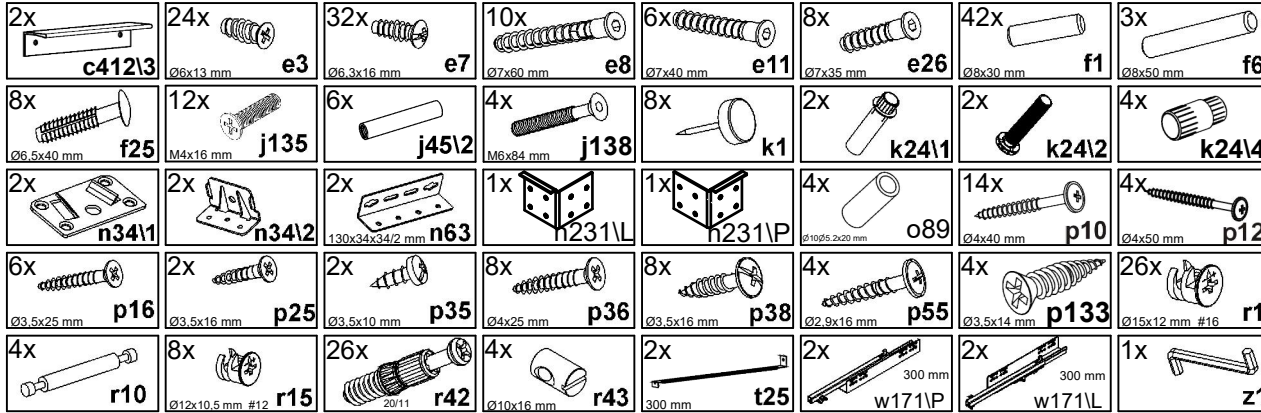


A



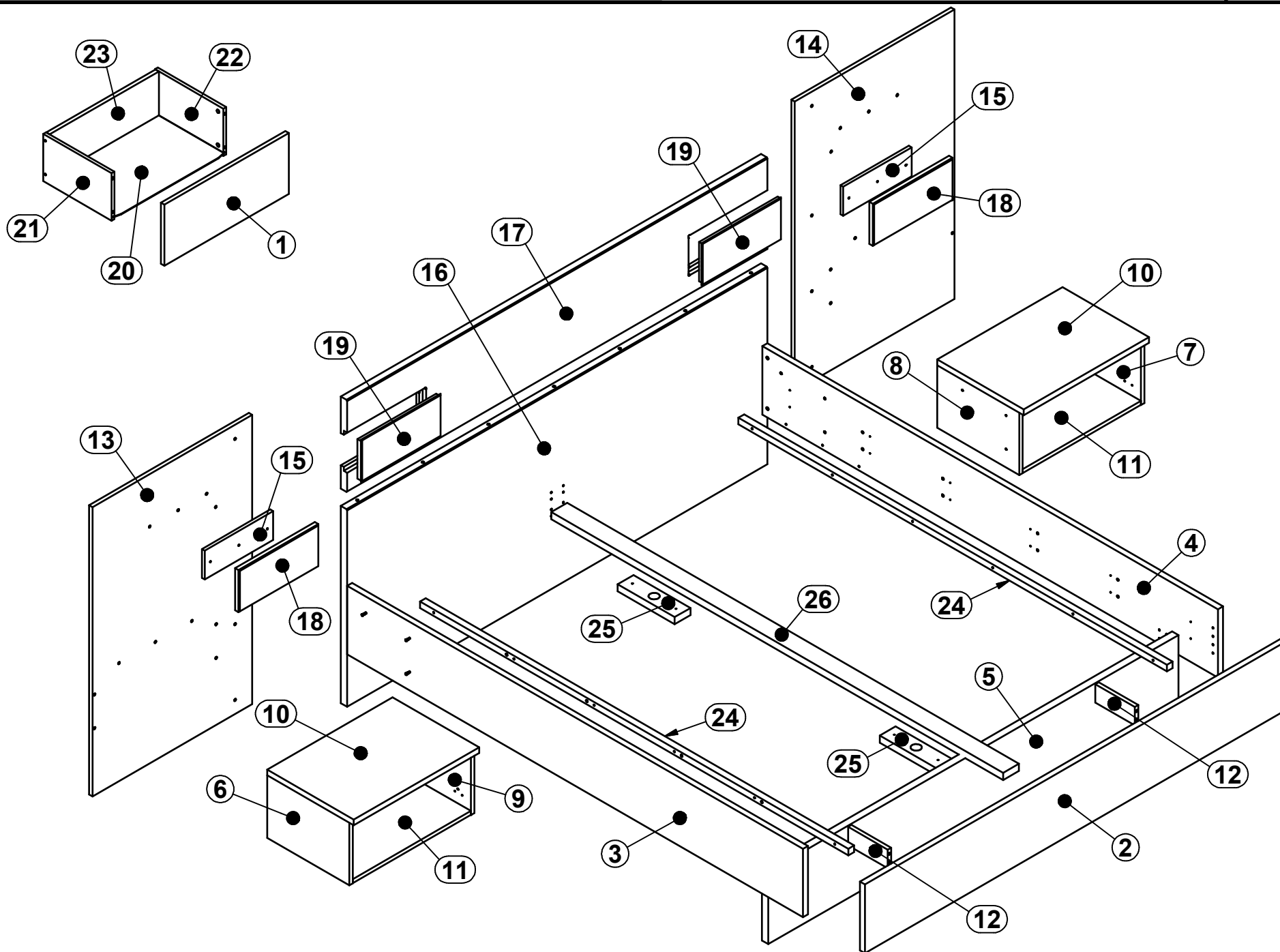
B

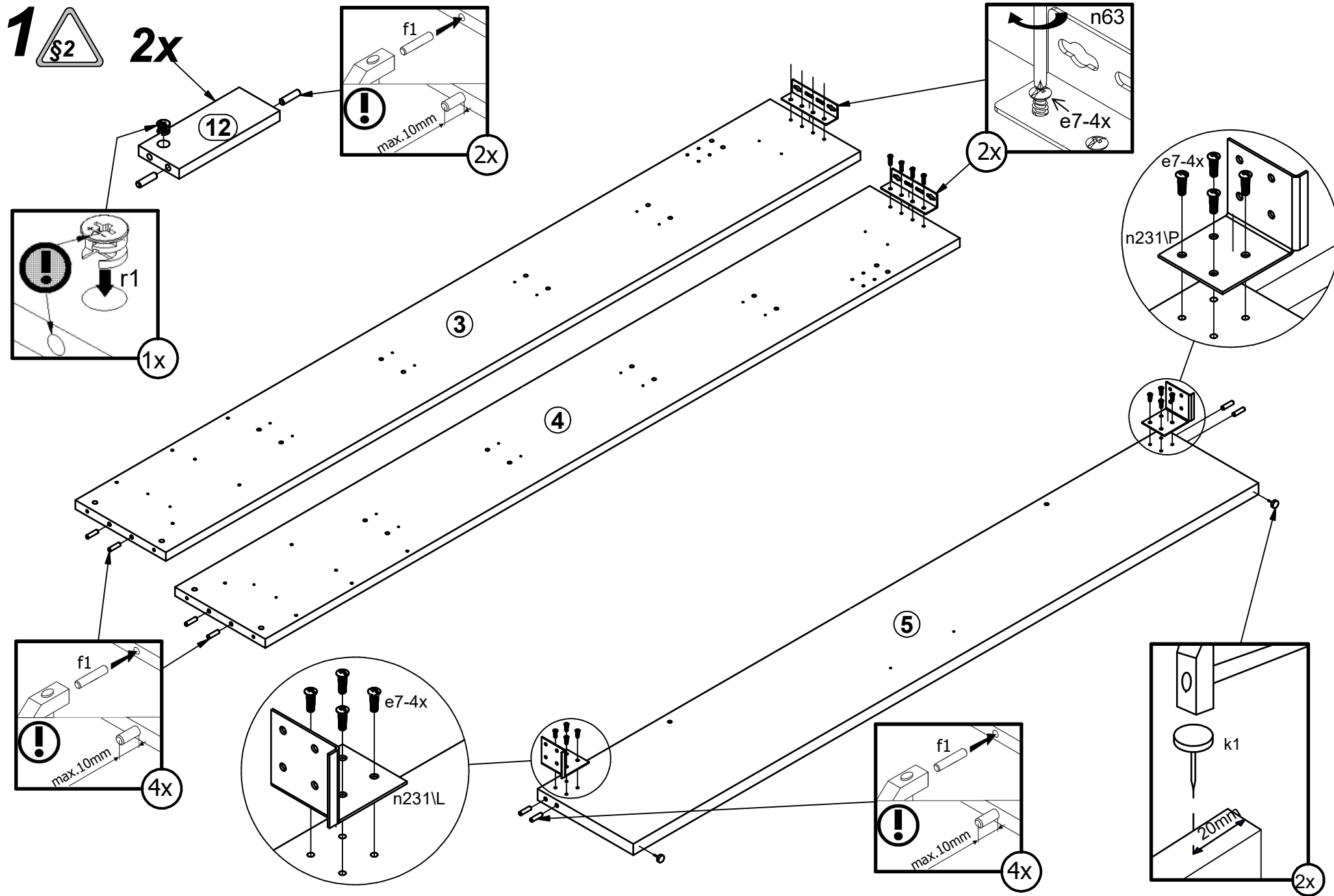


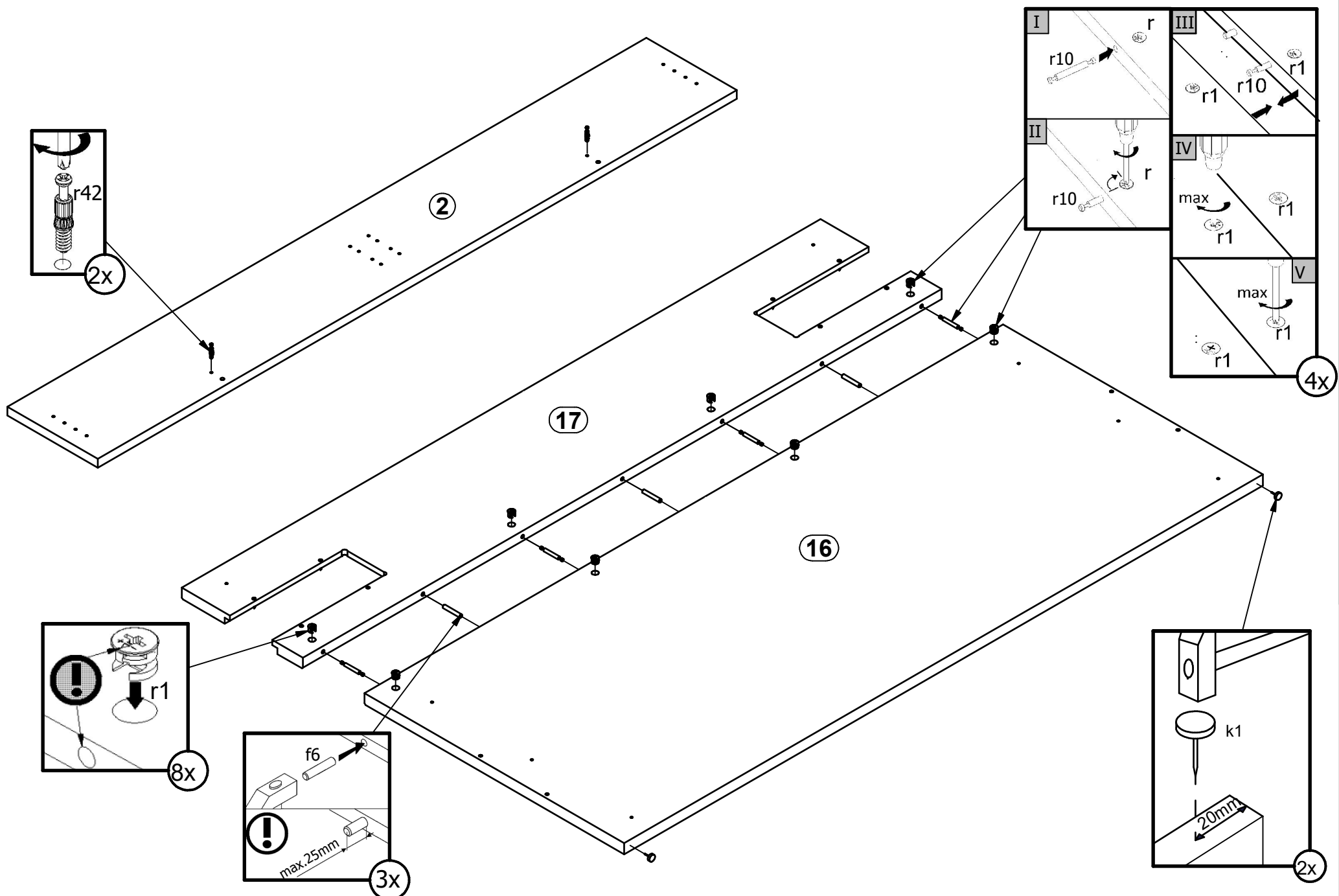


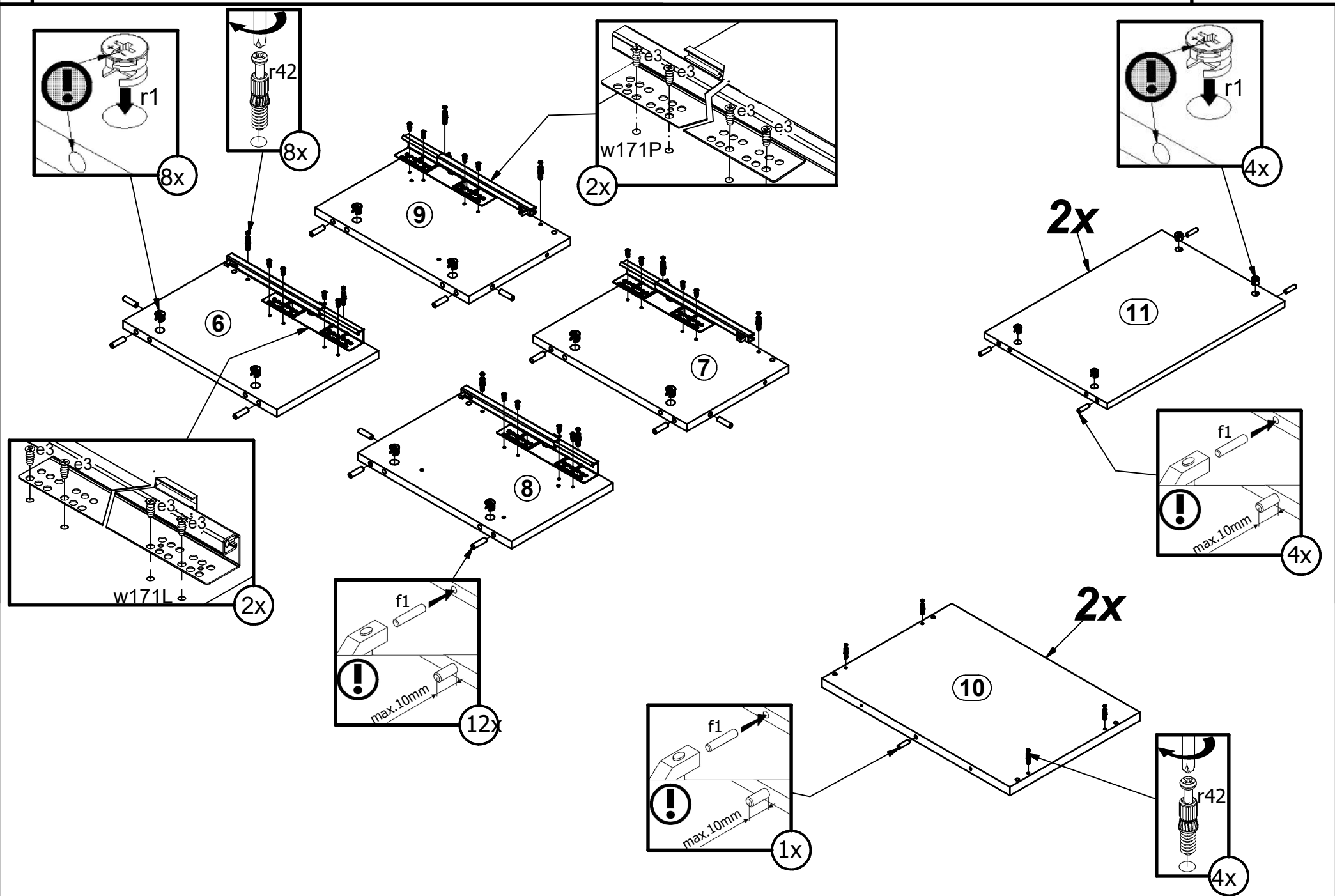
A	B	C1	C2	C3	D
1	L111-0004	546	232	15	1/5
2	L111-0011	1845	261	22	2/5
3	L111-1007	2000	260	22	3/5
4	L111-1008	2000	260	22	3/5
5	L111-1009	1800	275	28	2/5
6	L111-1010	238	360	15	1/5
7	L111-1011	238	360	15	1/5
8	L111-1012	238	360	15	1/5
9	L111-1013	238	360	15	1/5
10	L111-2003	550	380	22	1/5
11	L111-3004	519	360	15	1/5
12	L111-4002	174	70	15	1/5
13	L111-4051	1100	701	15	5/5
14	L111-4052	1100	701	15	5/5
15	L111-4053	300	110	12	1/5
16	L111-7021	1844	750	28	4/5
17	L111-7022	1844	350	28	2/5
18	L111-7025	350	160	18	2/5
19	L111-7038	350	160	18	2/5
20	WSP-9115	487	308	2,5	1/5
21	ZQ6-501	300	180	12	1/5
22	ZQ6-502	300	180	12	1/5
23	ZQ6-5171	479	167	15	1/5
24	ZZ1-747	1880	25	25	3/5
25	ZZ1-759	250	70	27	3/5
26	ZZ1-775	1983	70	27	3/5

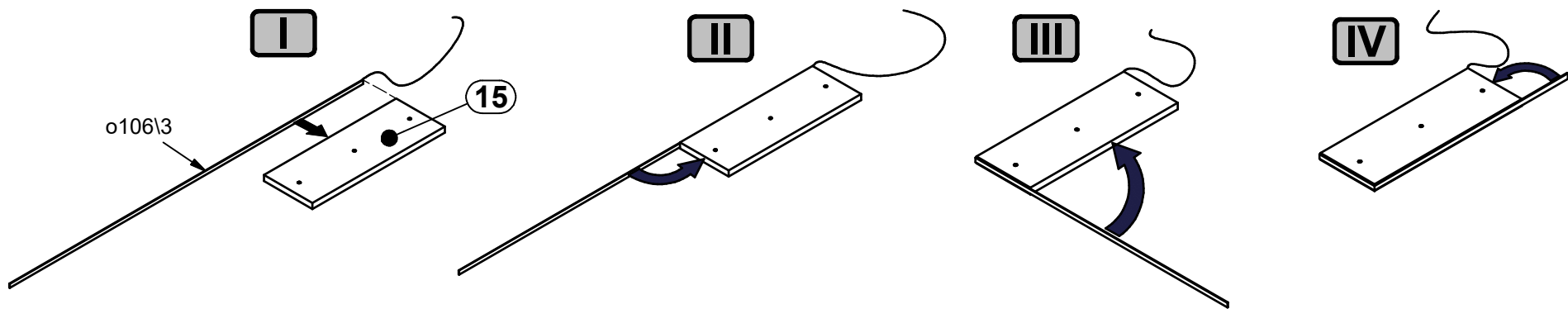
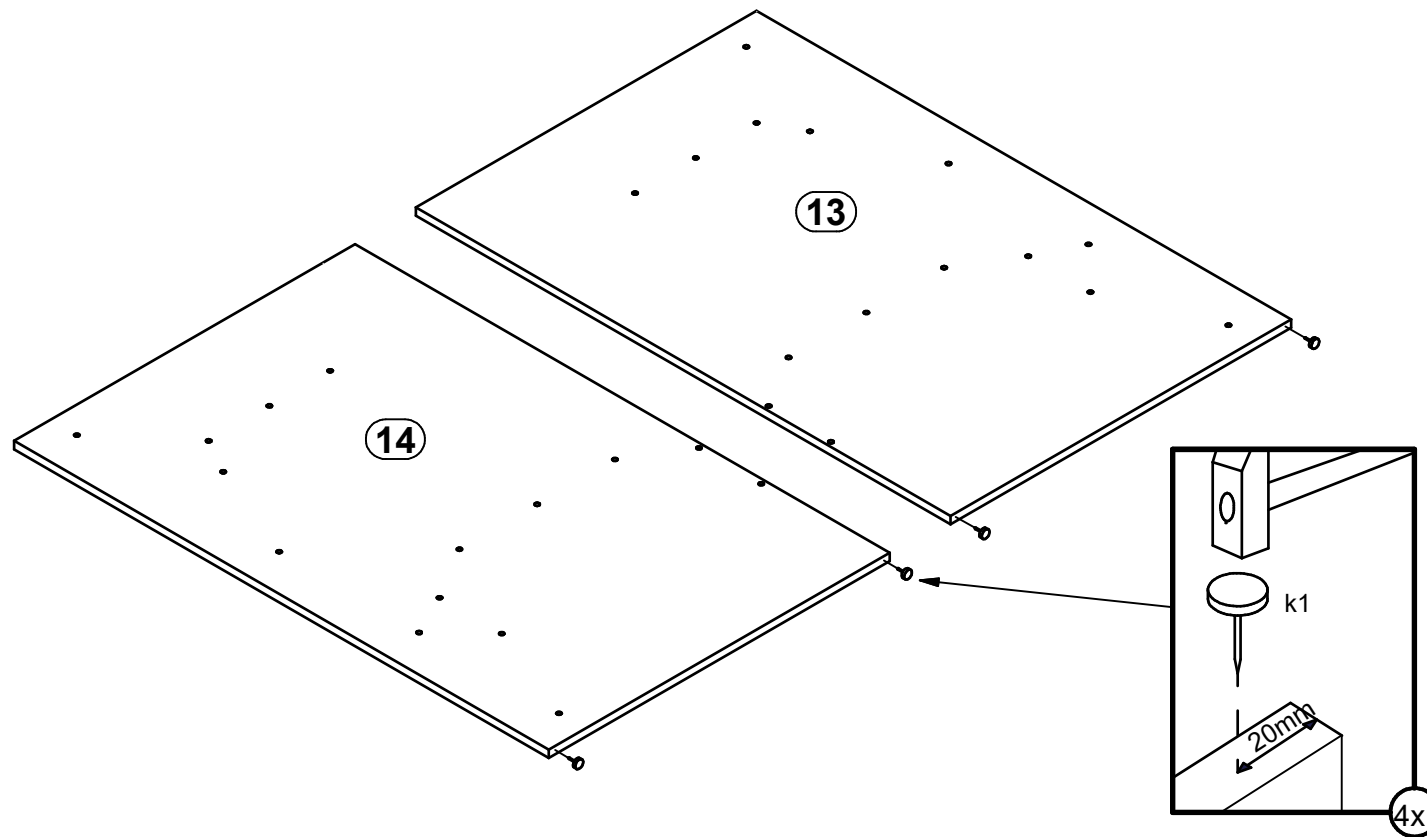




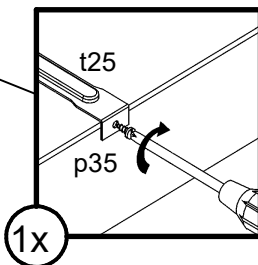
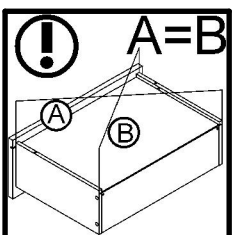
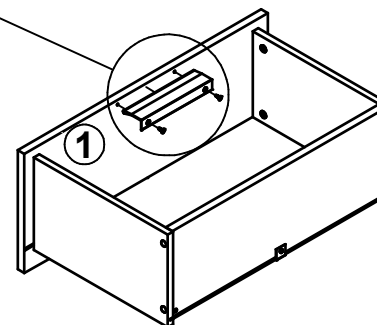
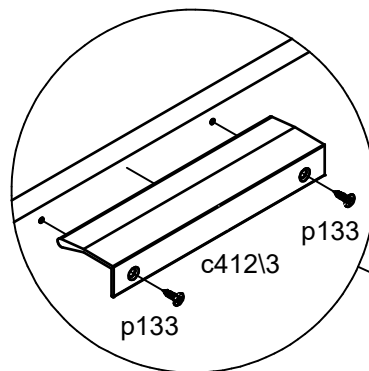
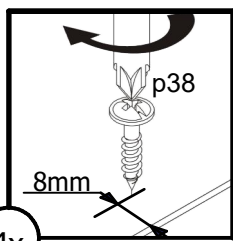
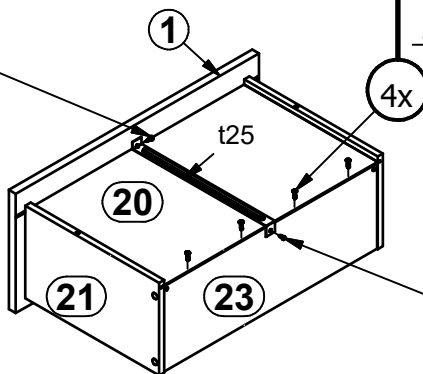
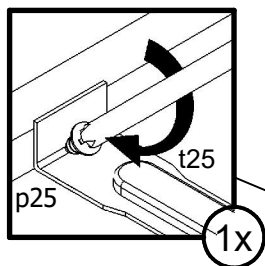
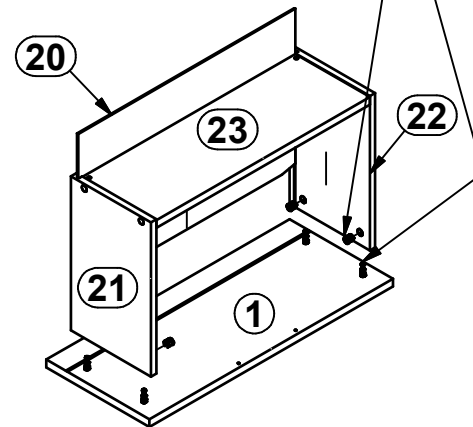
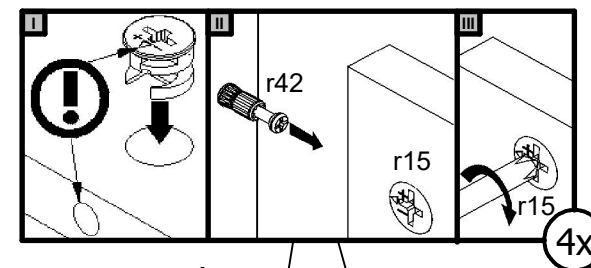
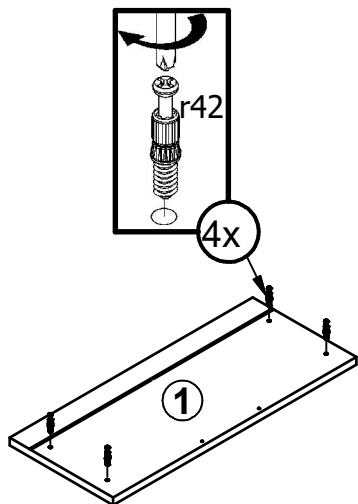
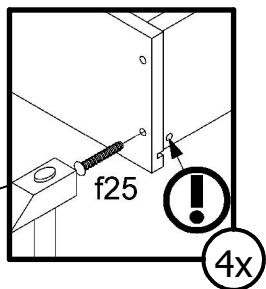
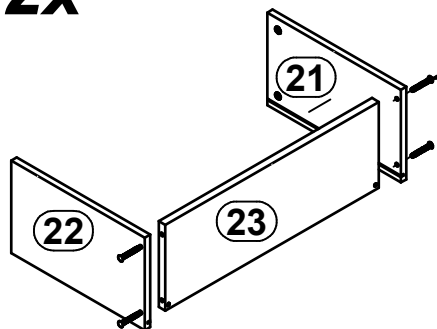


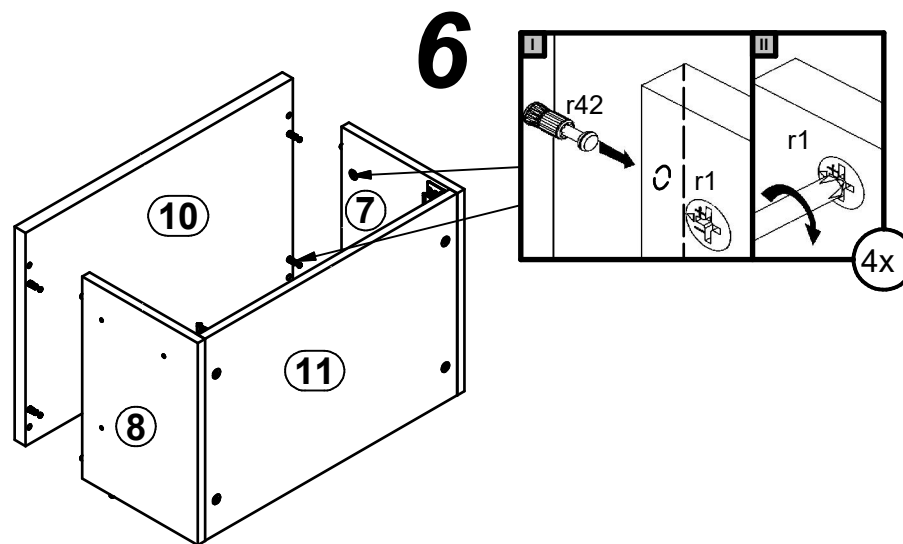
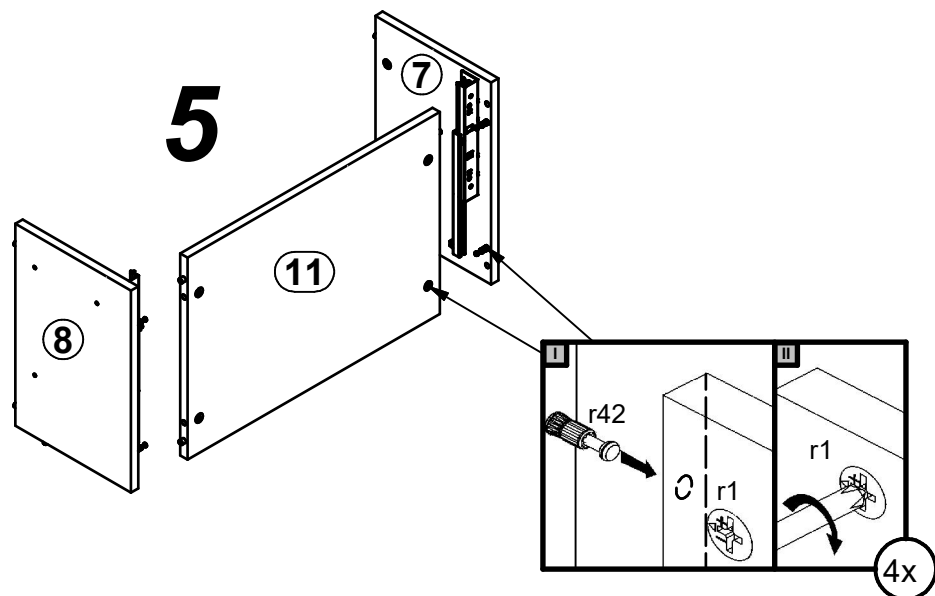
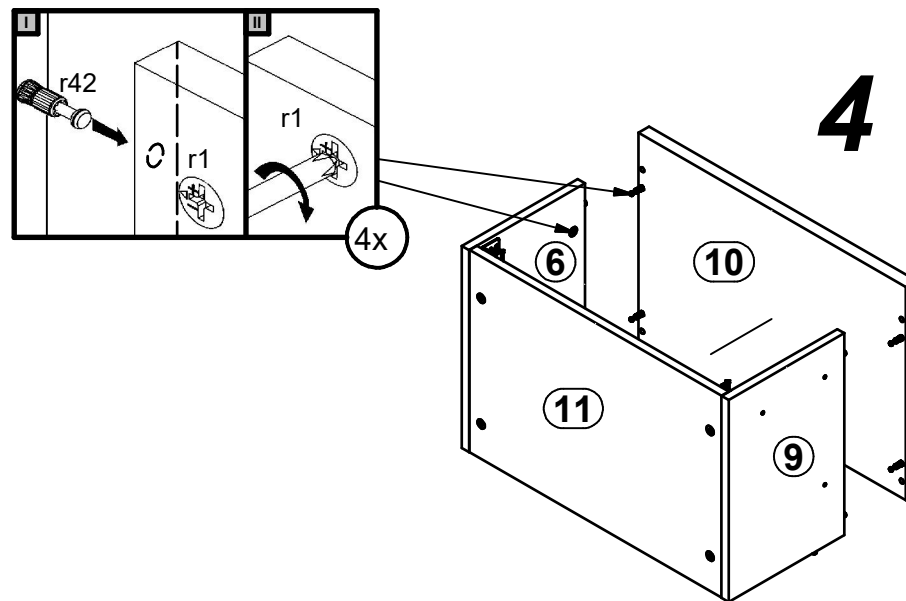
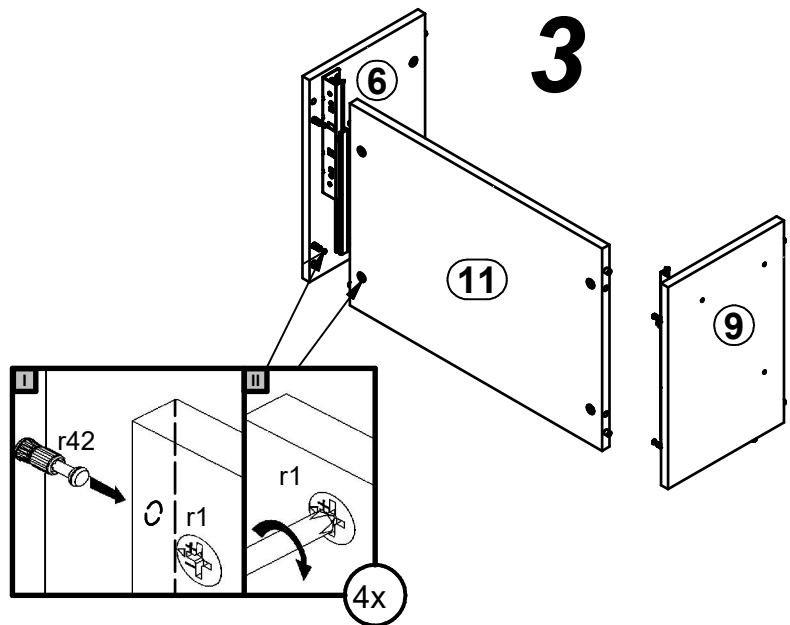






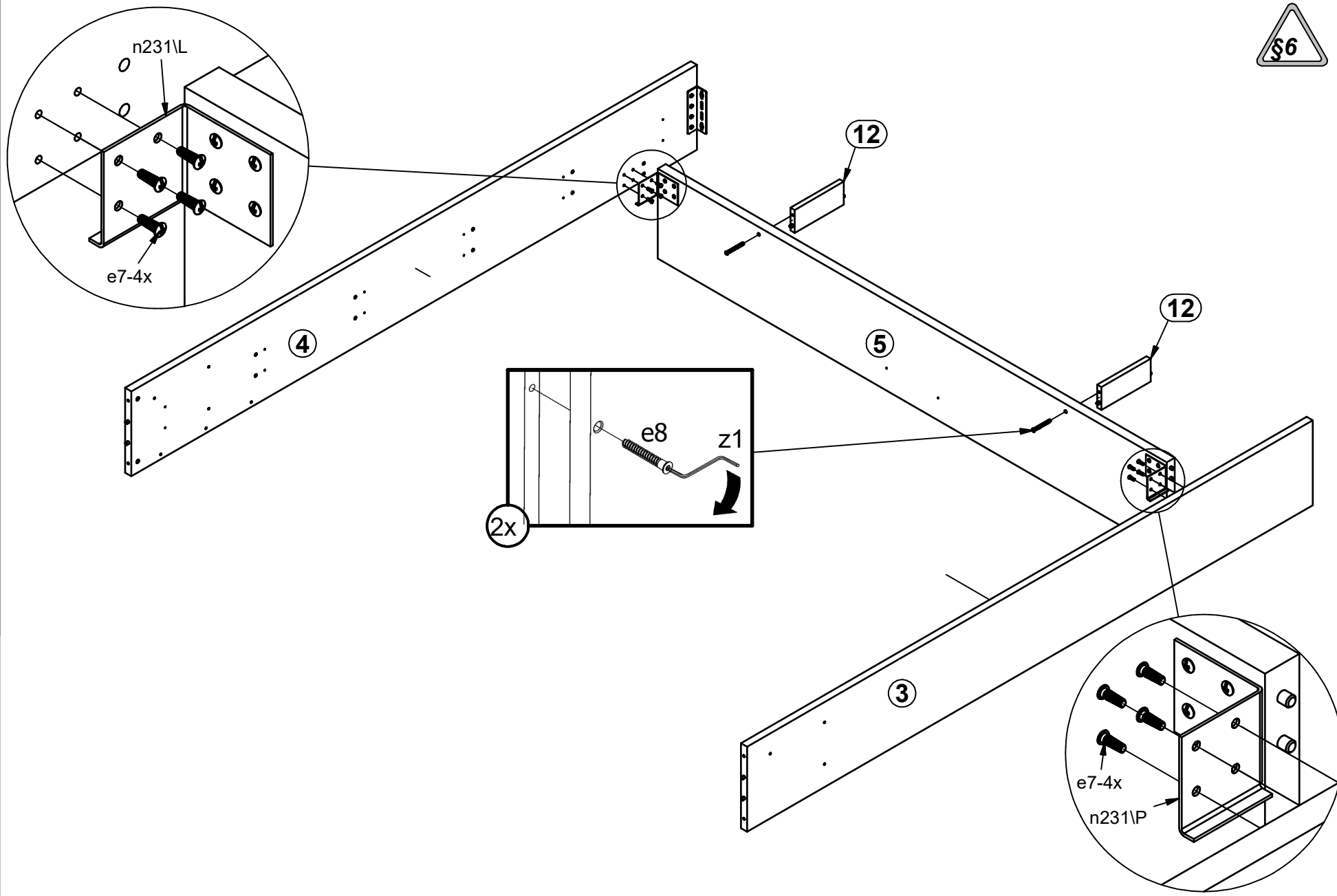
2
2x



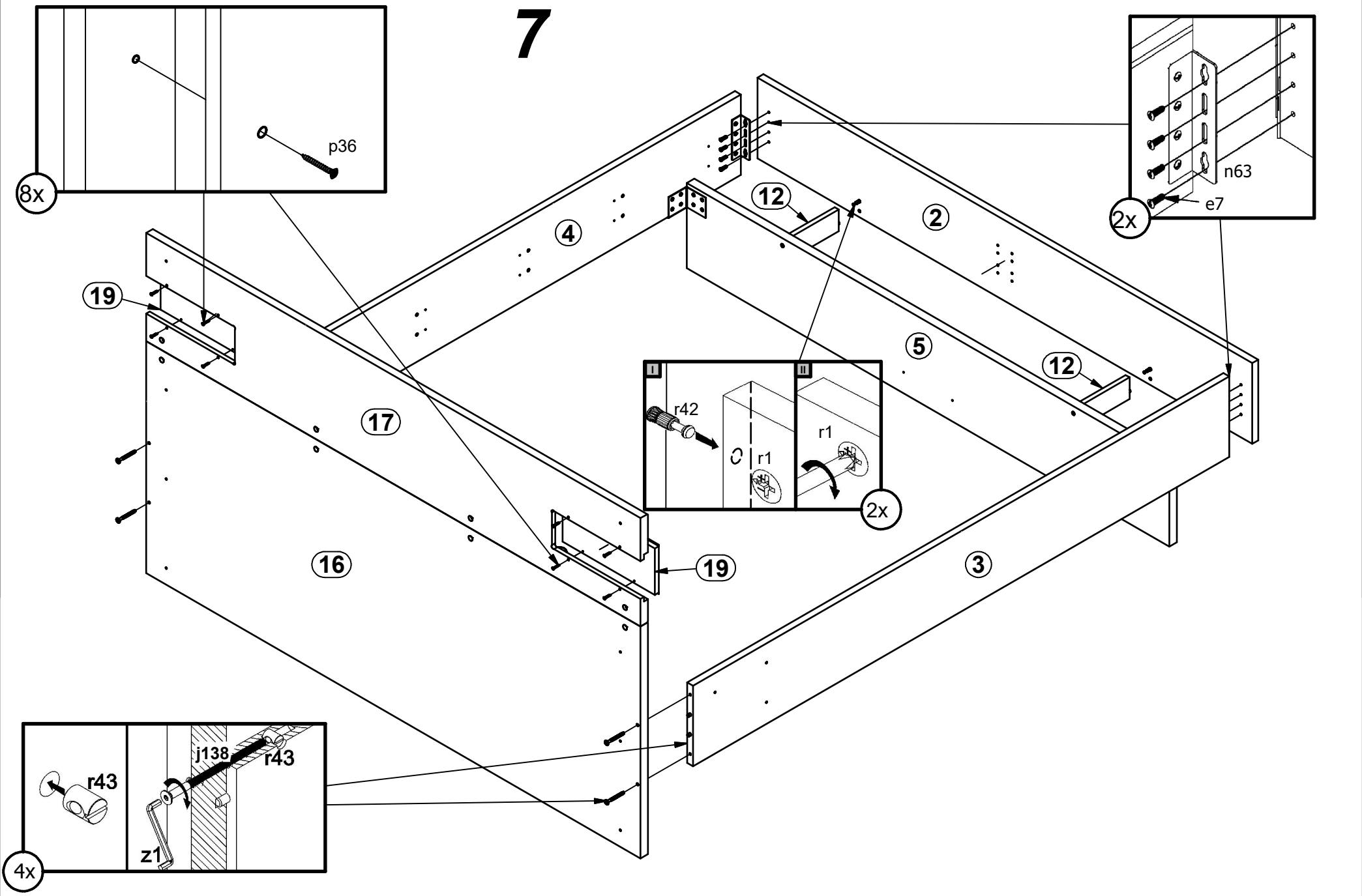




7



7



8x

p36

2x

n63

e7

2x

4x

19

17

16

12

12

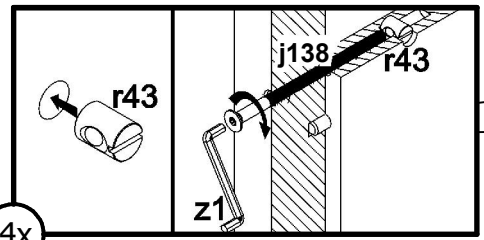
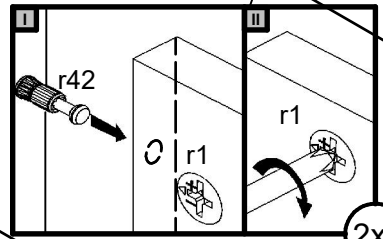
19

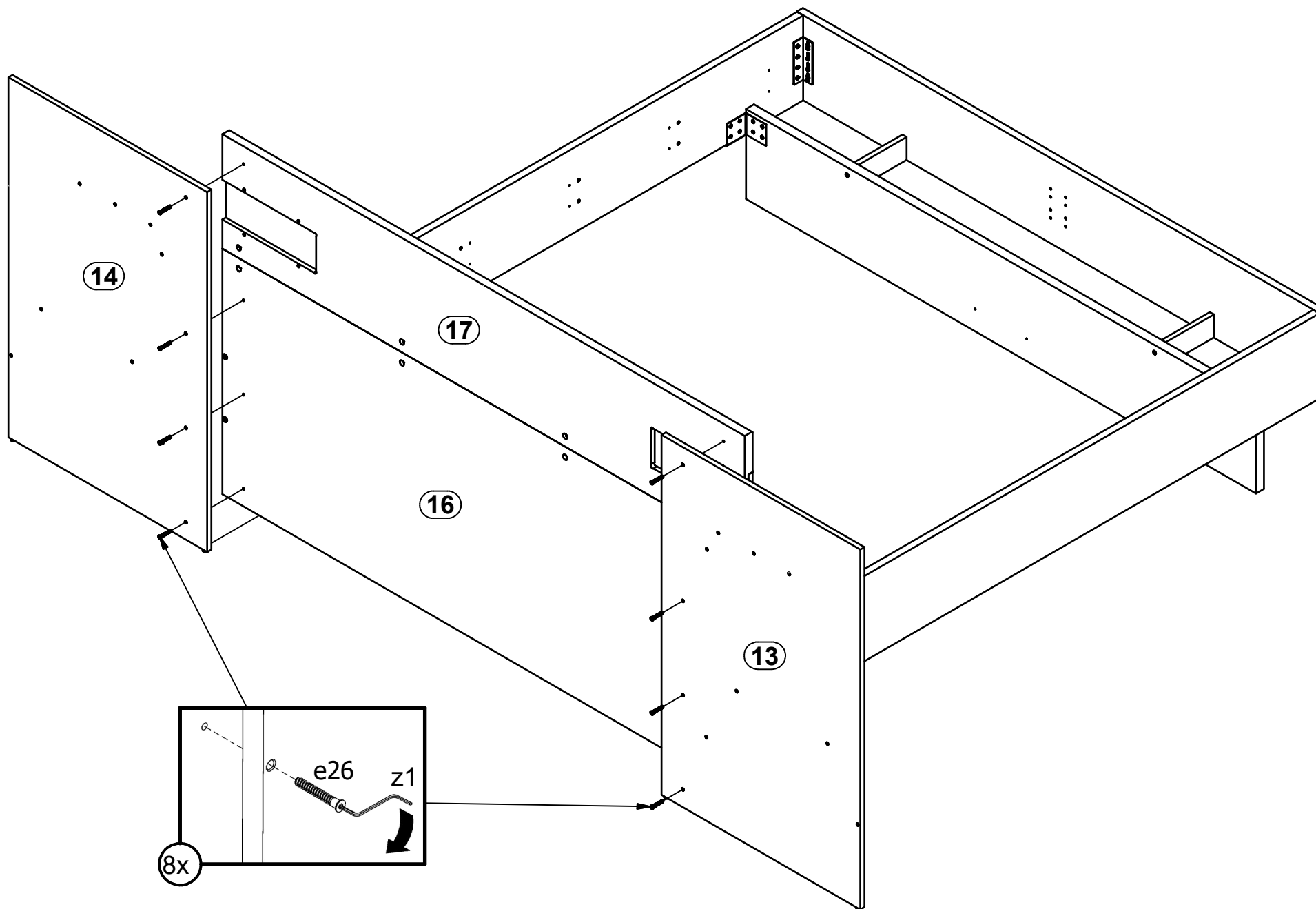
4

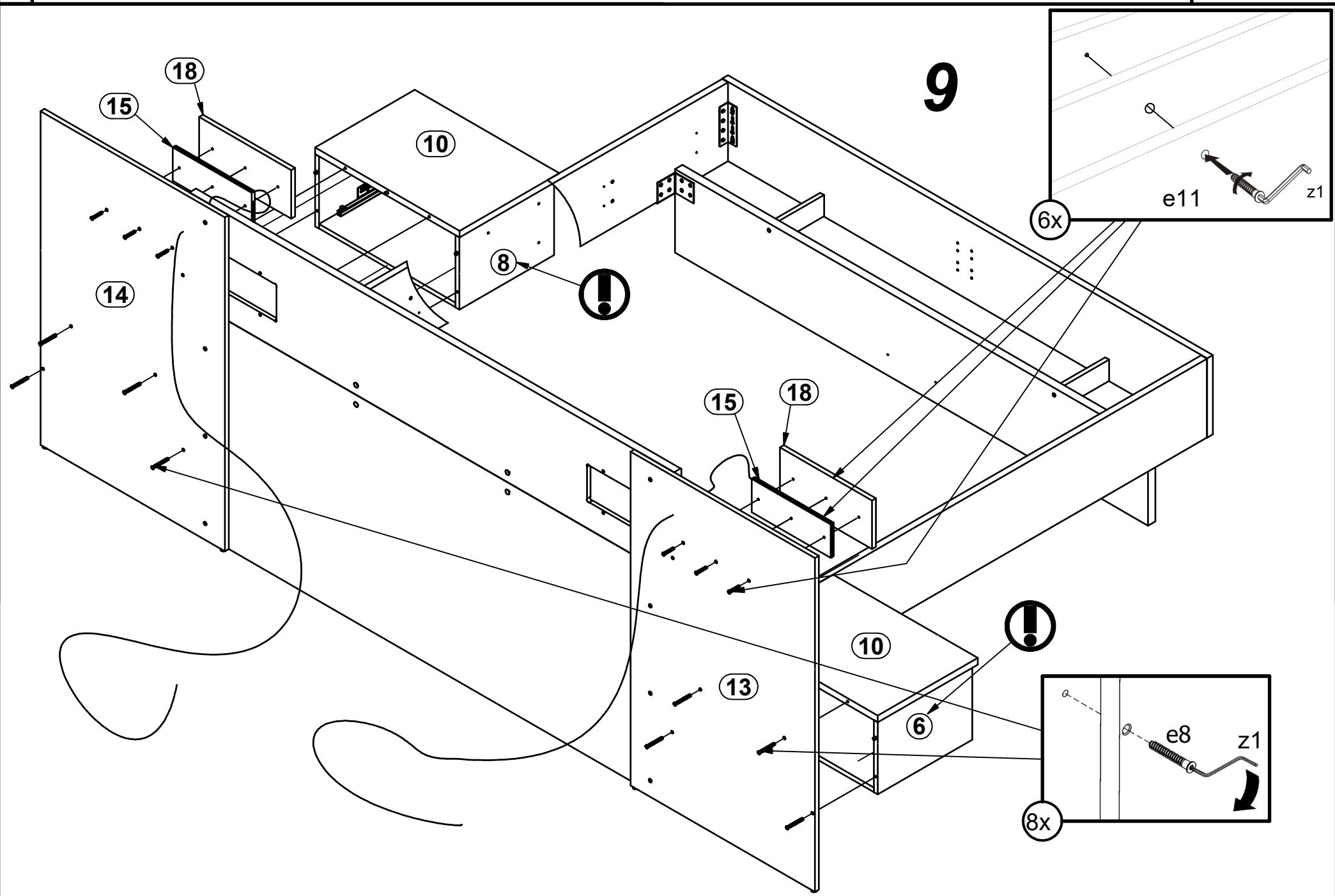
2

5

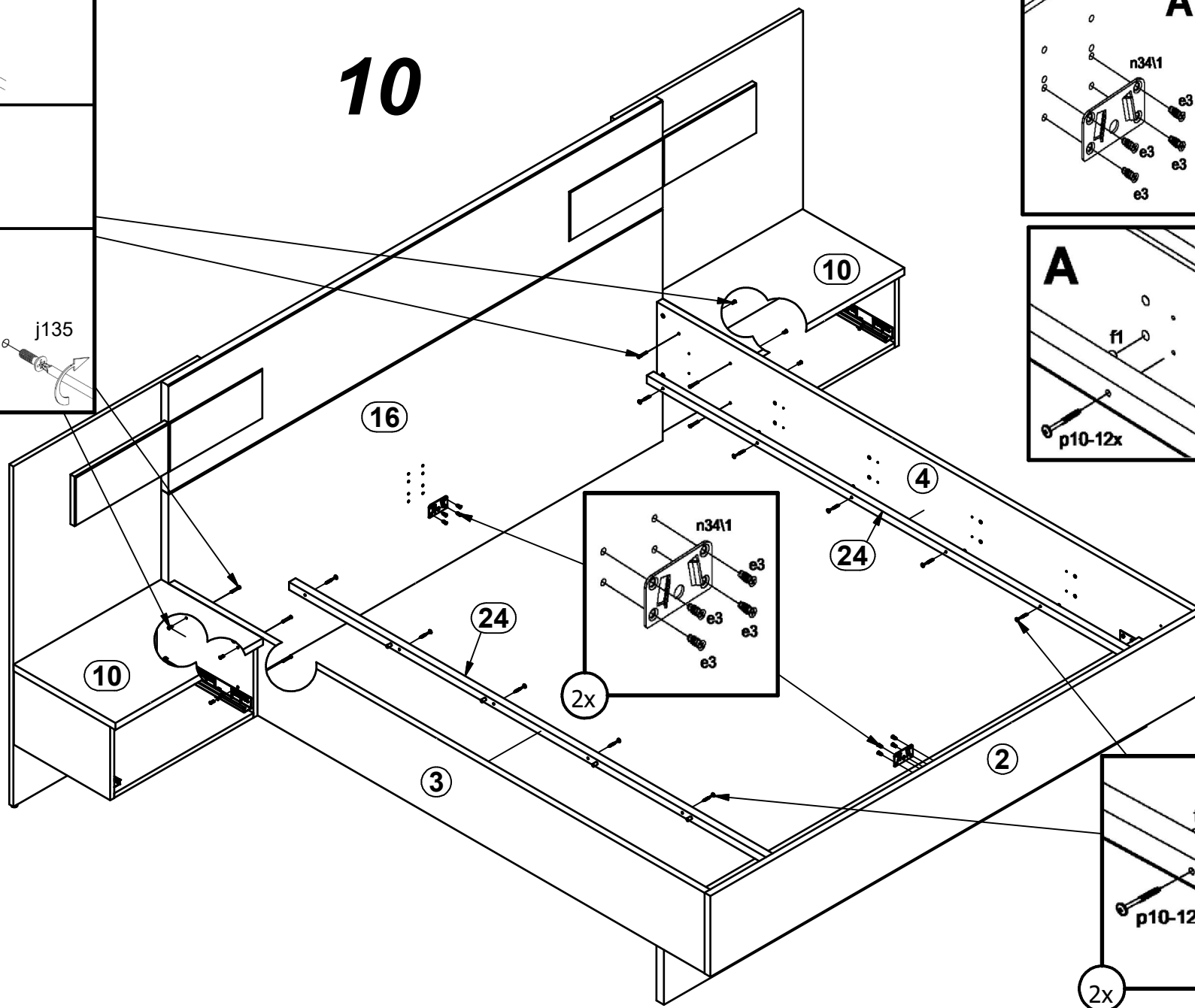
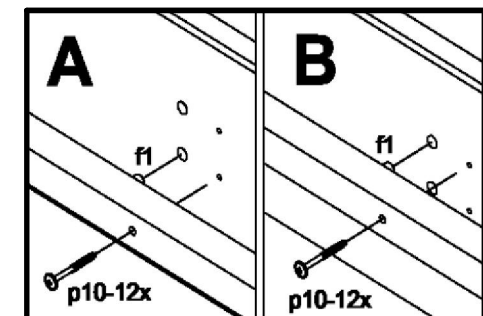
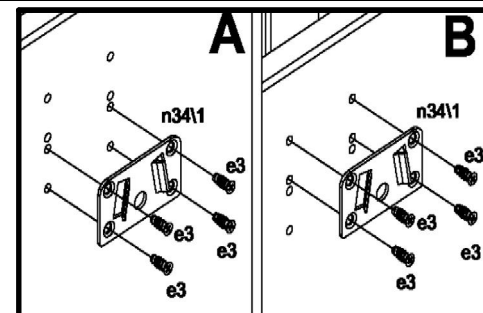
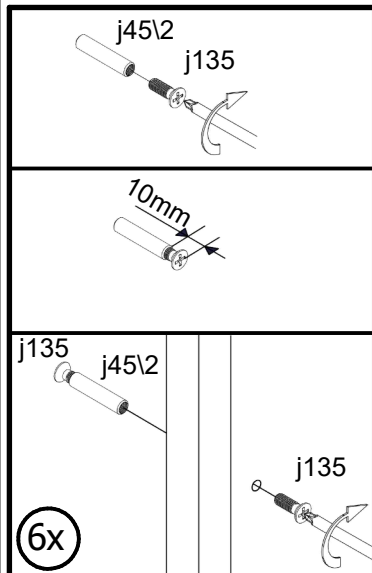
3

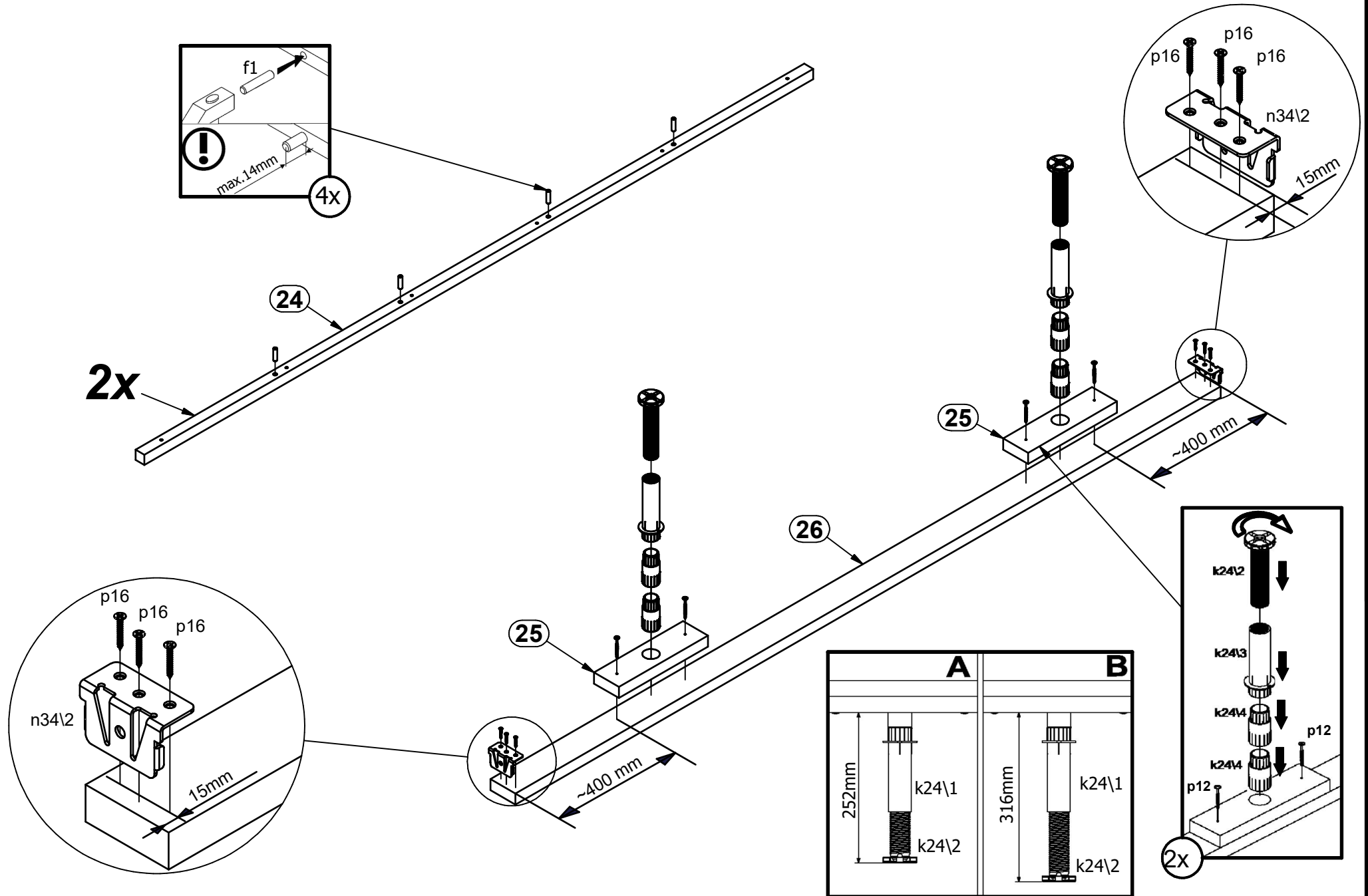


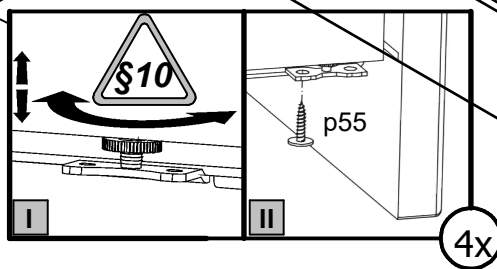
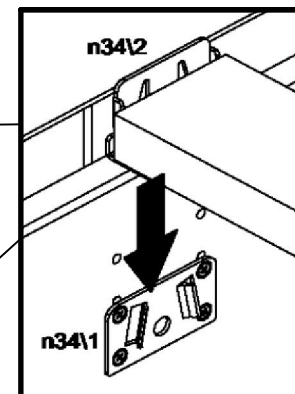
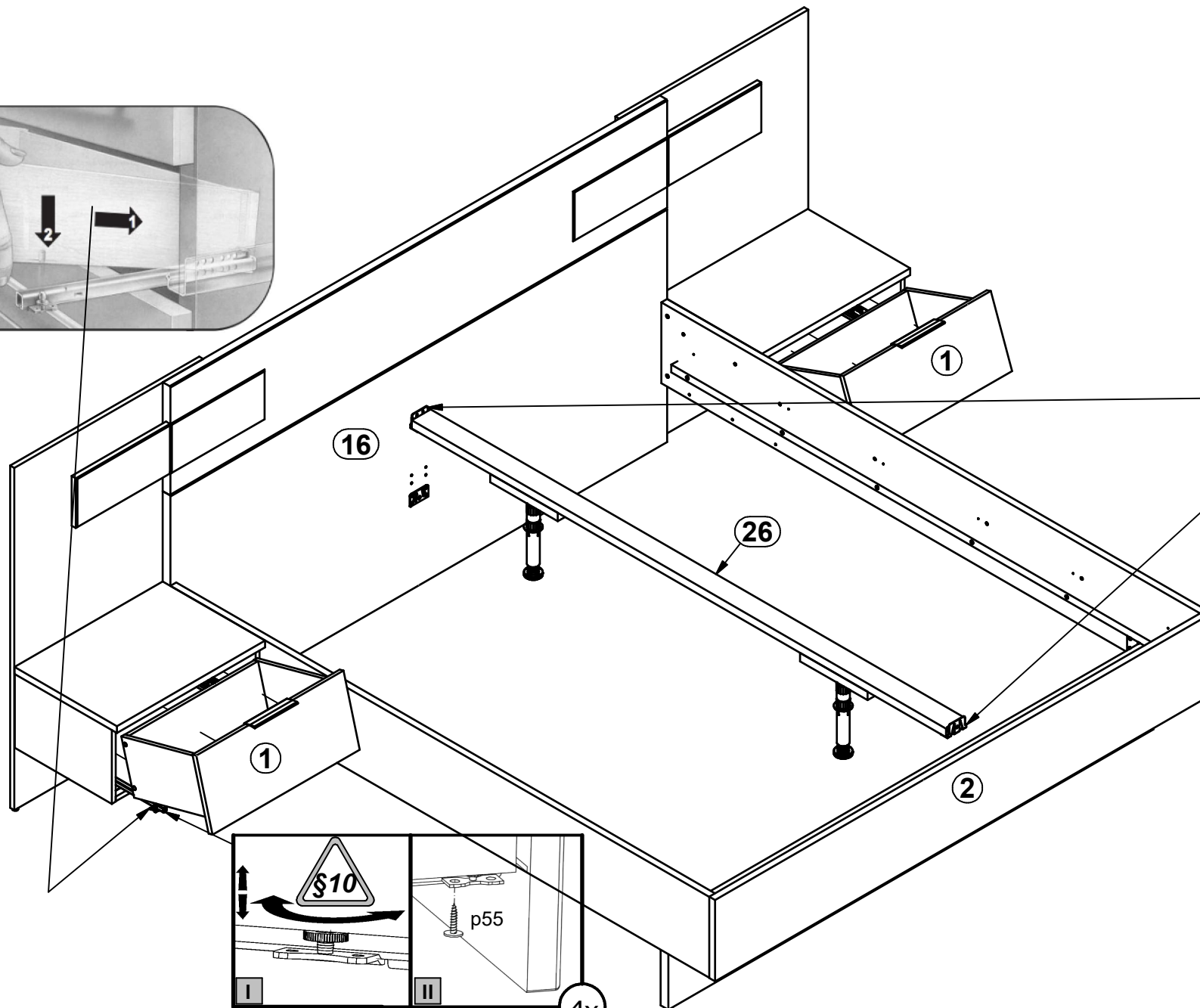
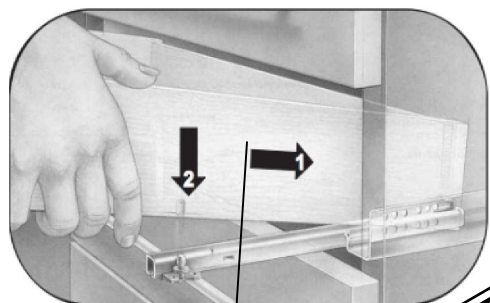




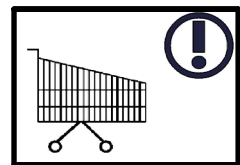
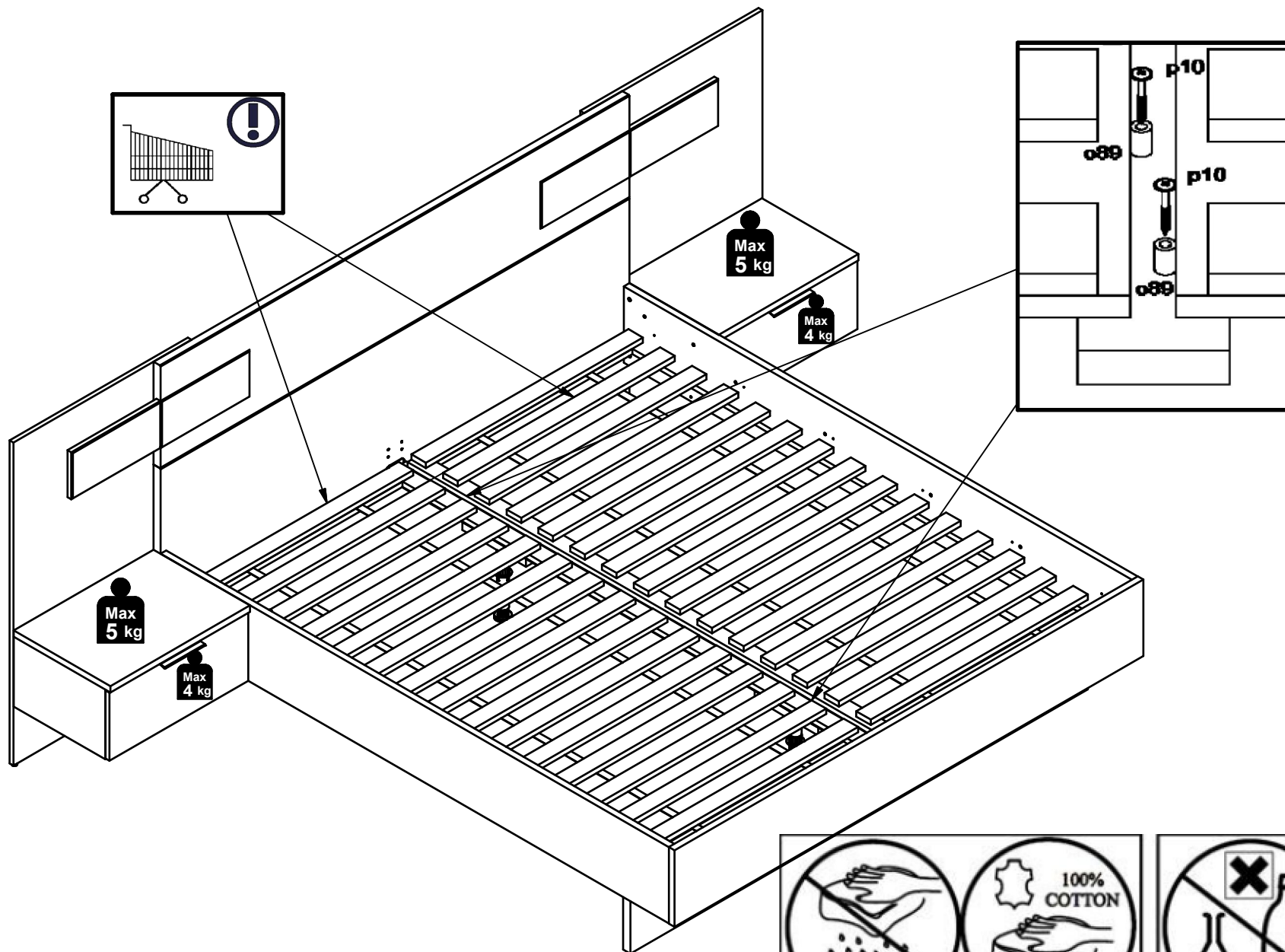
10







12



Max
5 kg

Max
4 kg

Max
5 kg

Max
4 kg

