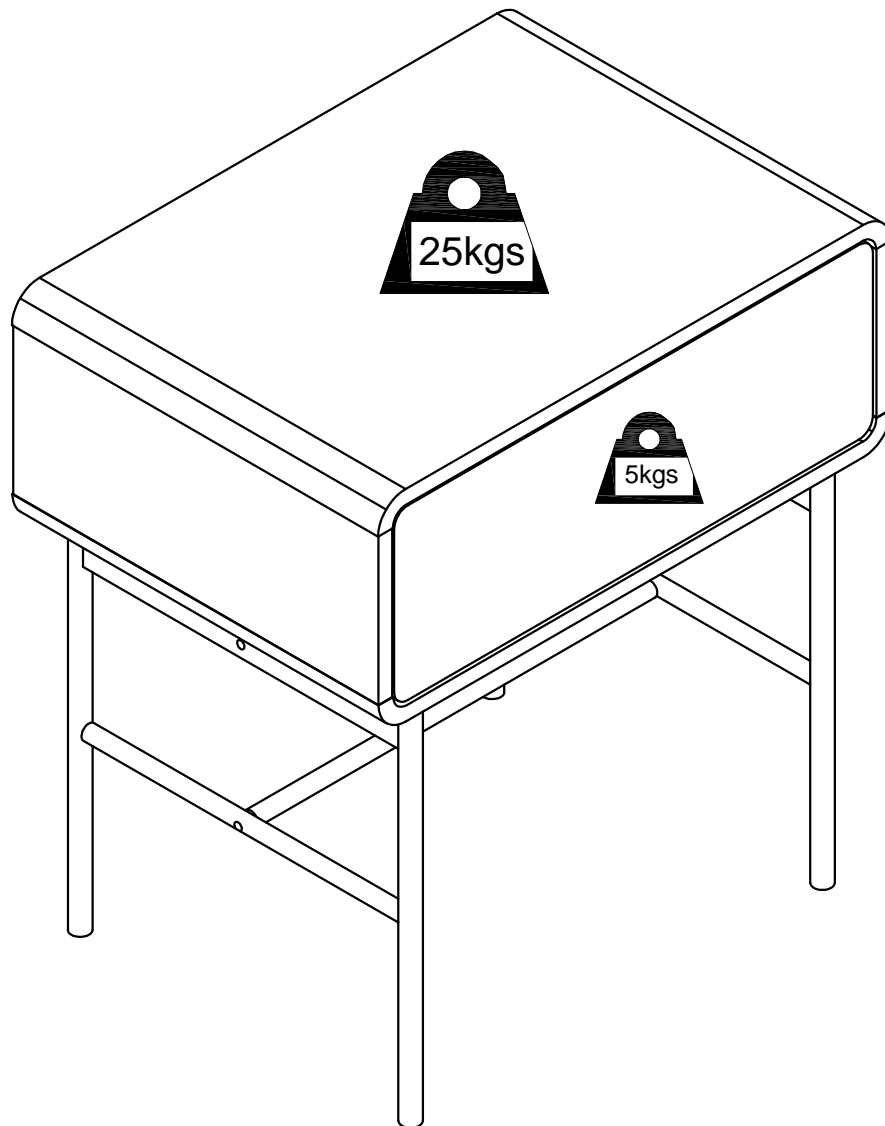
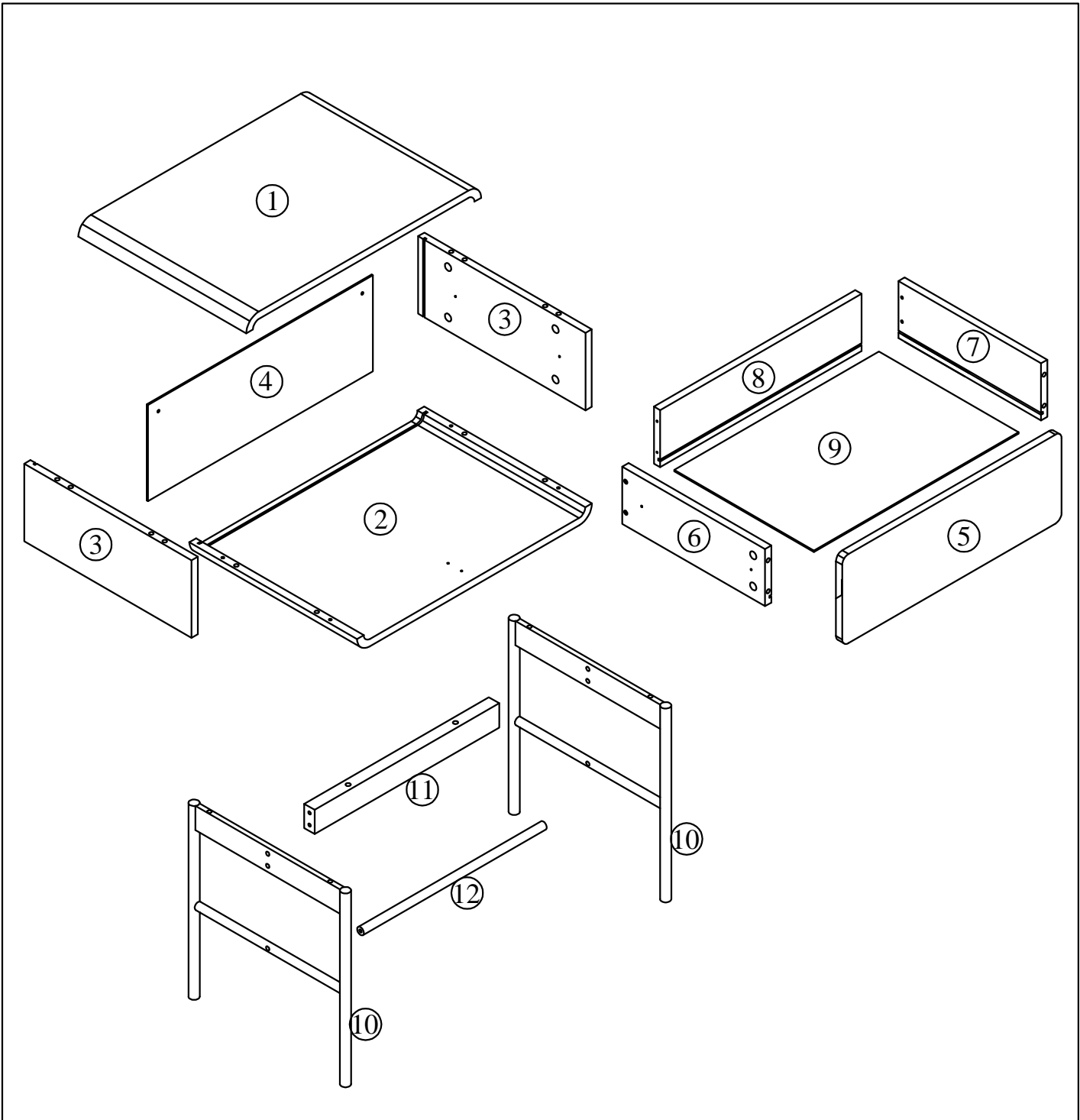


Assemble instruction

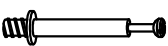
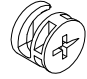


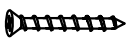




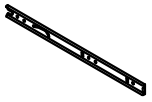
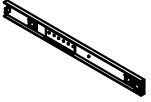
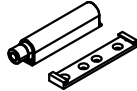





27980047/01

SANDY

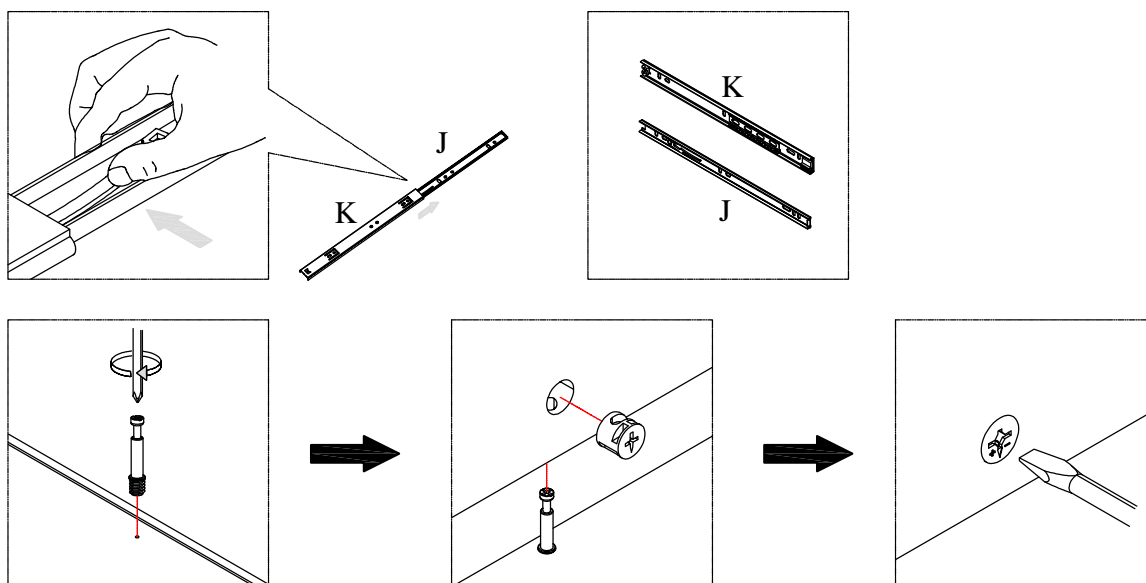




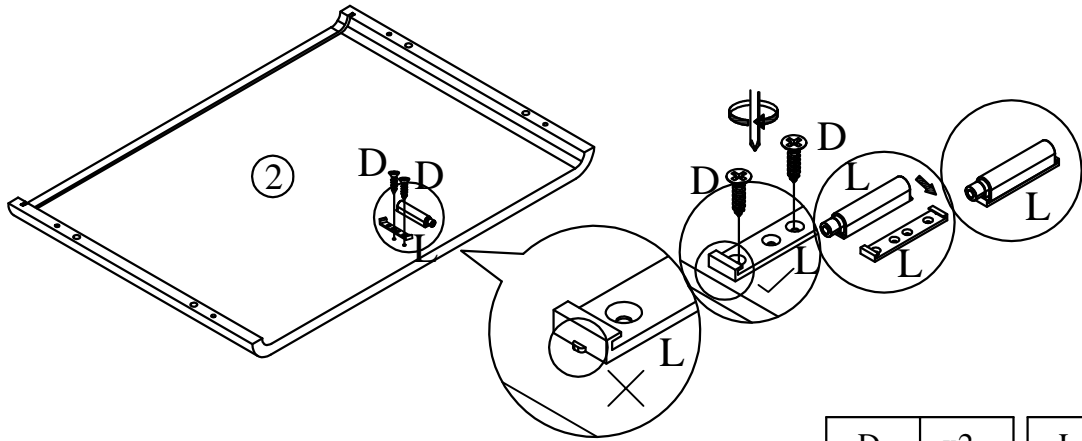
<p>2 PERSONEN</p>	<p>30MIN</p>		
-------------------	--------------	--	--


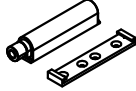
A	x12	B	x12	C	x8	D	x15	E	x4	F	x6	G	x6
													
6x35mm		Ø15x12mm		8x30mm		3.5x14mm		4x35mm		M6x35mm		M6x60mm	
H	x1	I	x4	J	x2	K	x2	L	x1	M	x1	N	x4
													
M4				340mm		340mm						Ø20mm	
O	x2	P	x2	Q	x2								
													
Ø20x12mm		4x60mm		6x30mm									

Assembly details

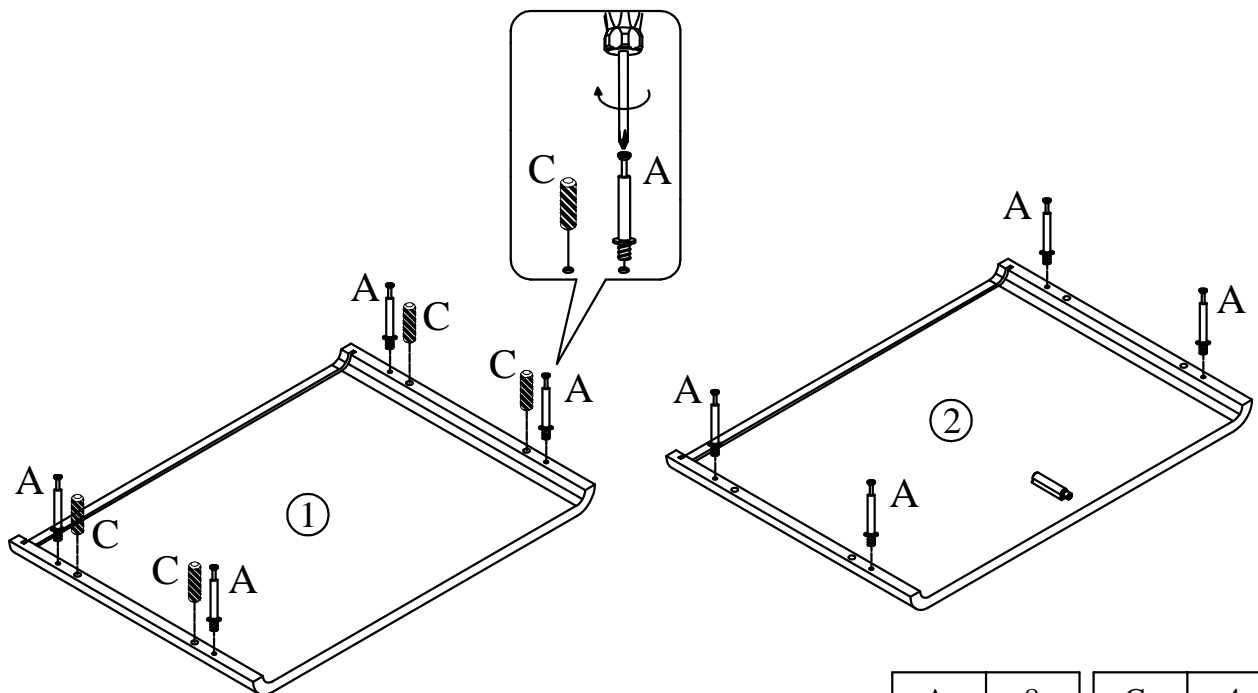


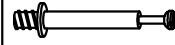

1



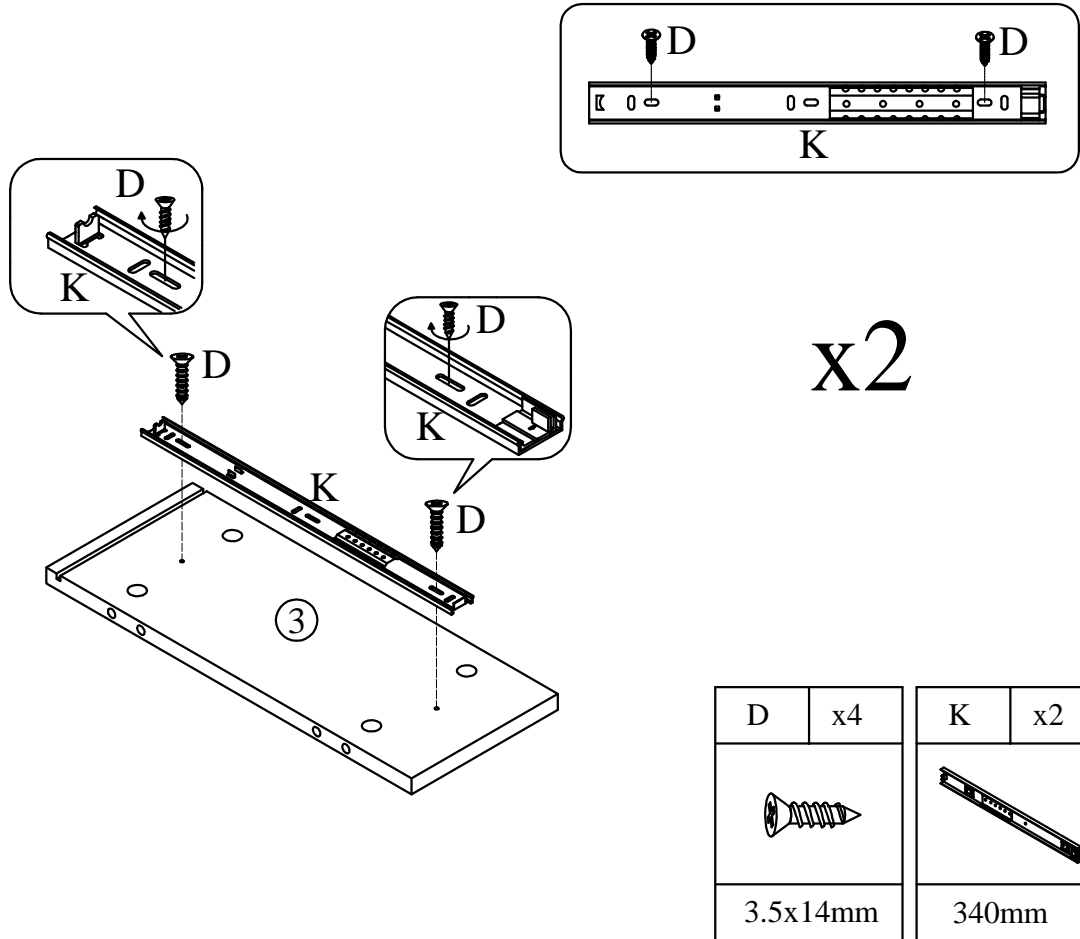
D	x2	L	x1
			
3.5x14mm			

2

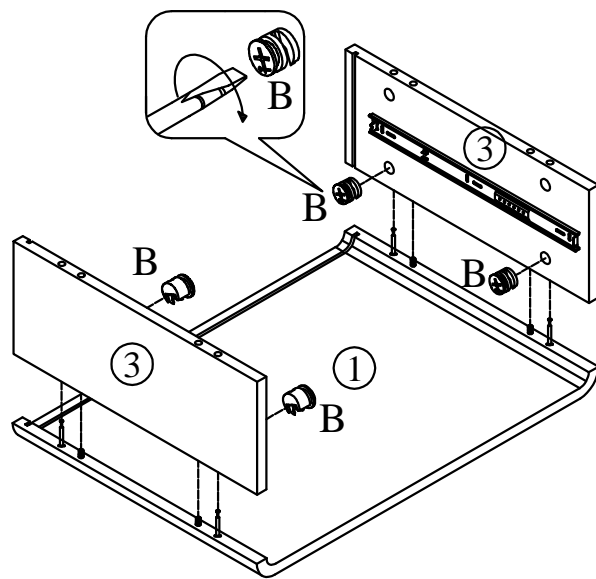



A	x8	C	x4
			
6x35mm		8x30mm	

3

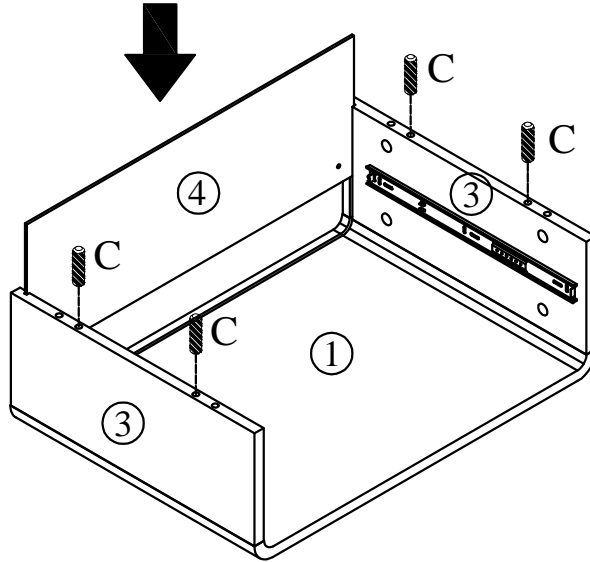



4



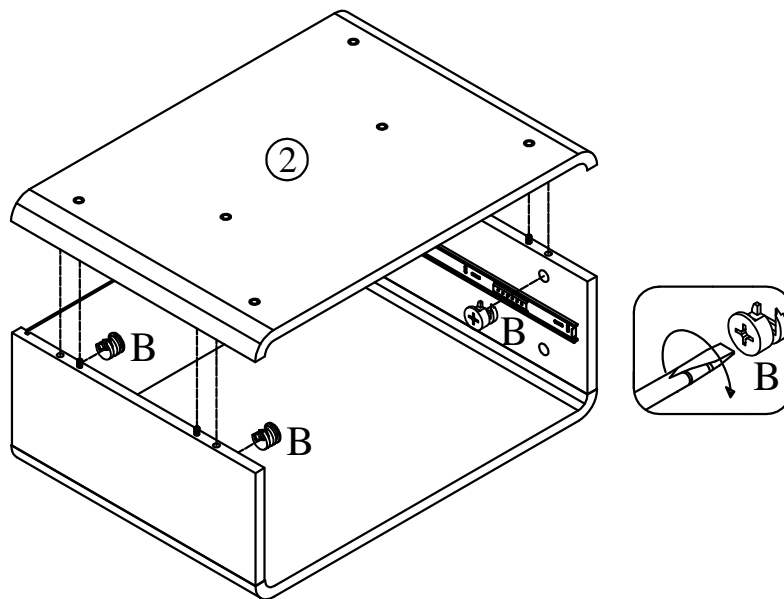
B	x4
	
Ø15x12mm	


5



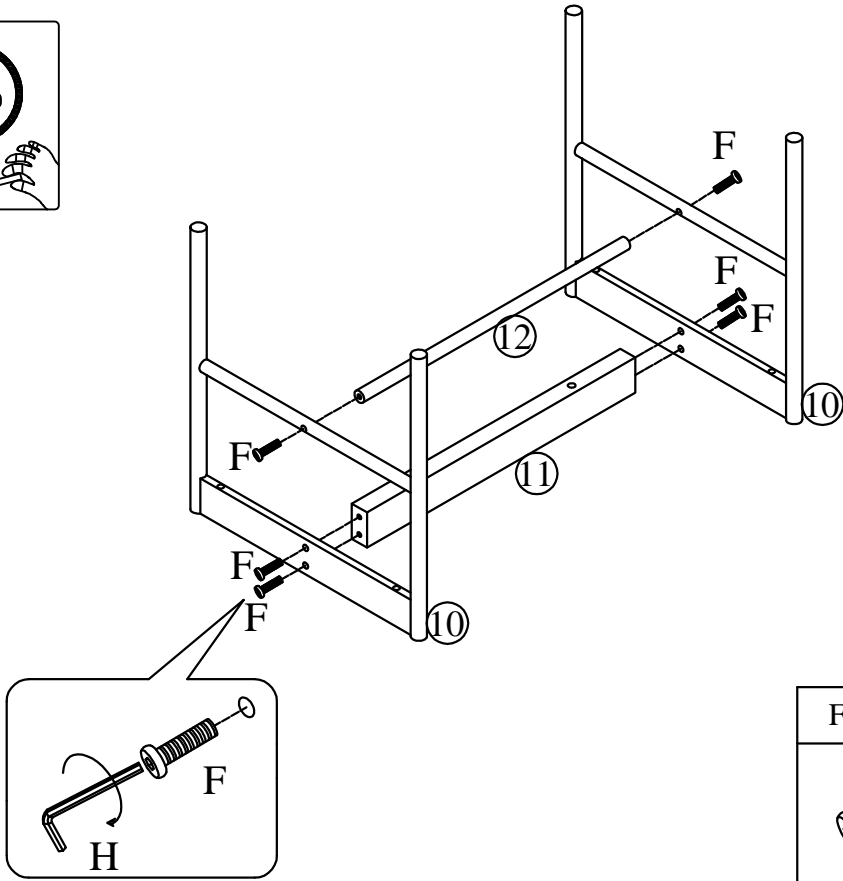
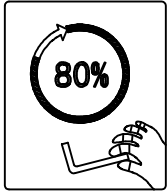
C	x4
	
8x30mm	

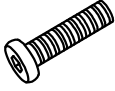

6



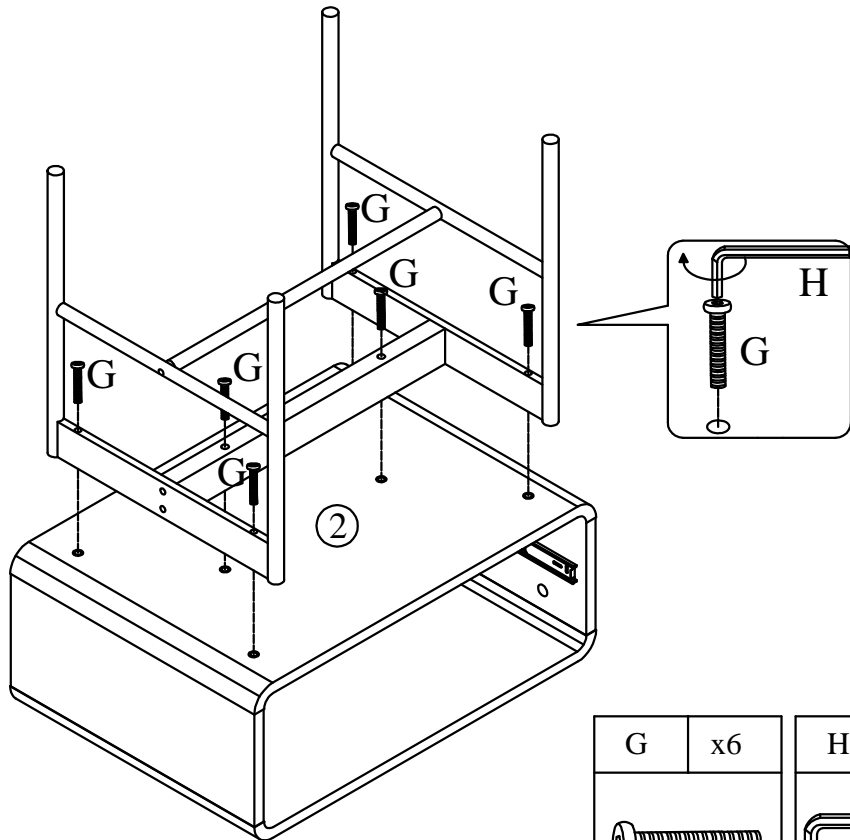
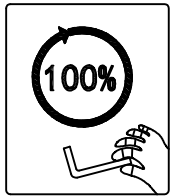
B	x4
	
Ø15x12mm	


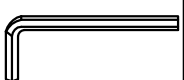
7



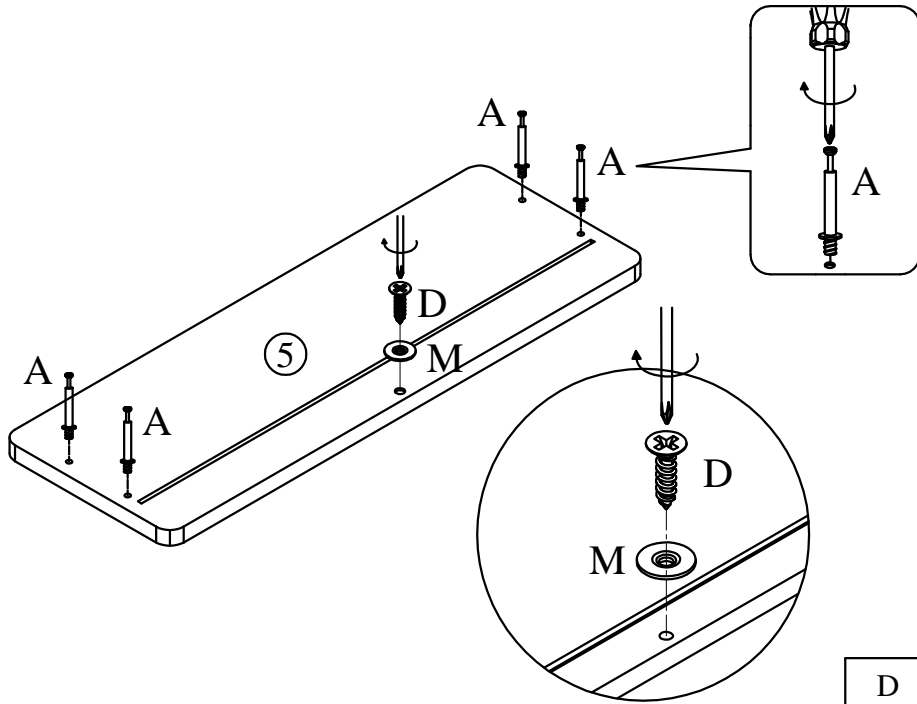
F	x6	H	x1
			
M6x35mm		M4	

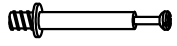
8





G	x6	H	x1
			
M6x60mm		M4	

9

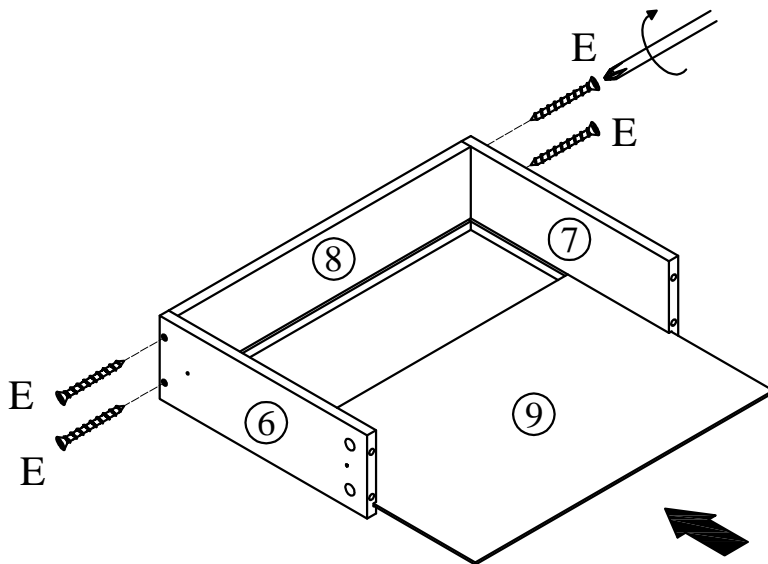


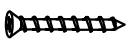
A	x4
	
6x35mm	

D	x1
	
3.5x14mm	

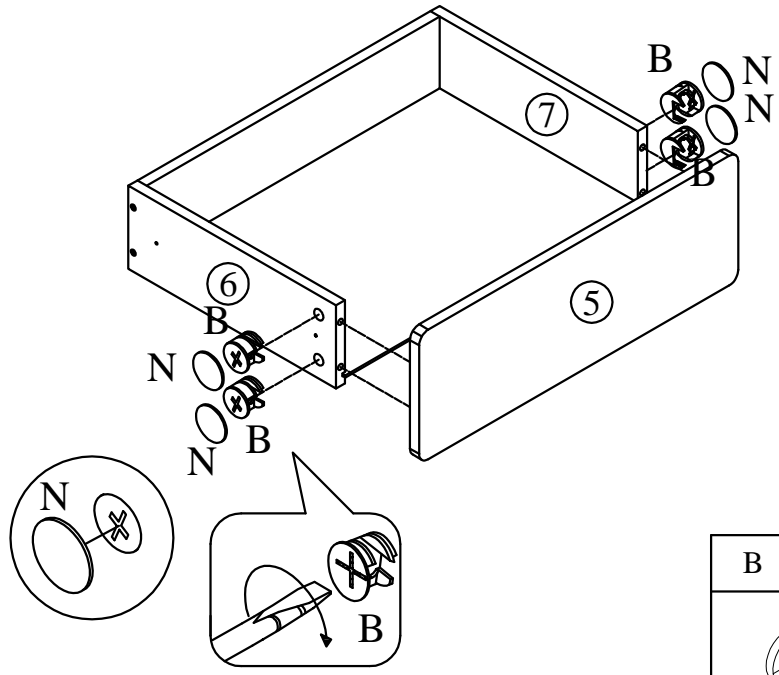
M	x1
	

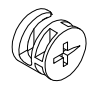

10



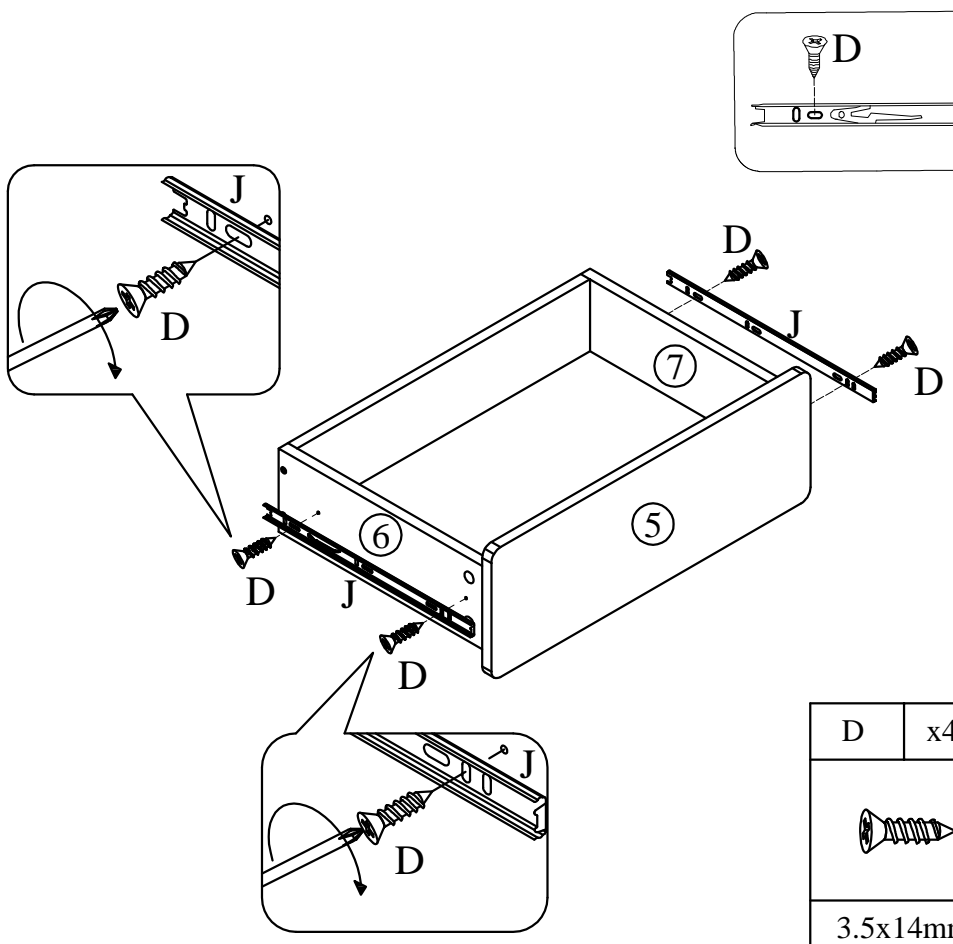
E	x4
	
4x35mm	



11



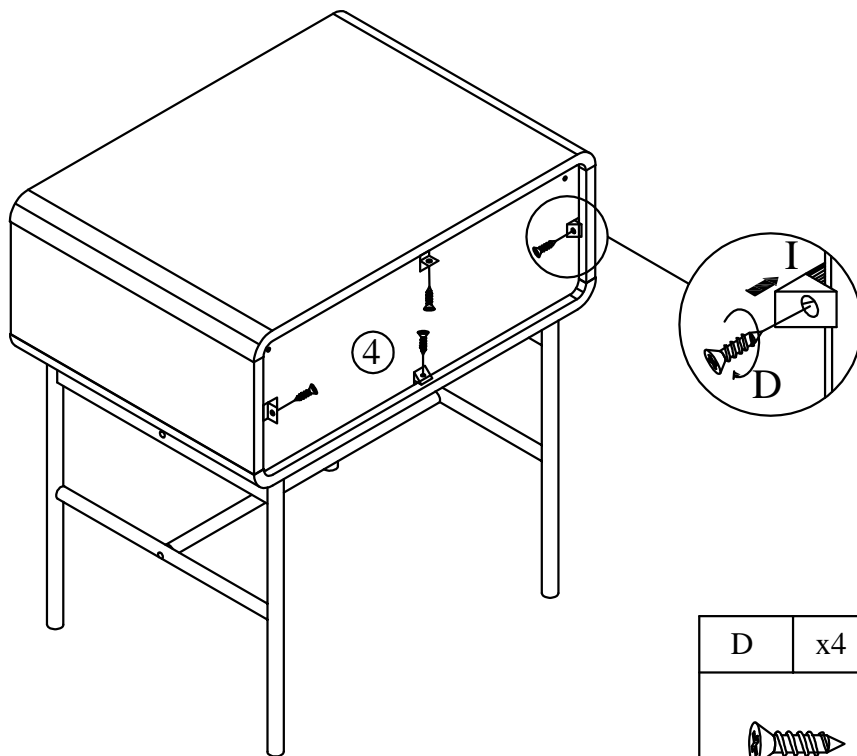
B	x4	N	x4
			
Ø15x12mm		Ø20mm	

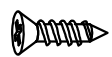

12



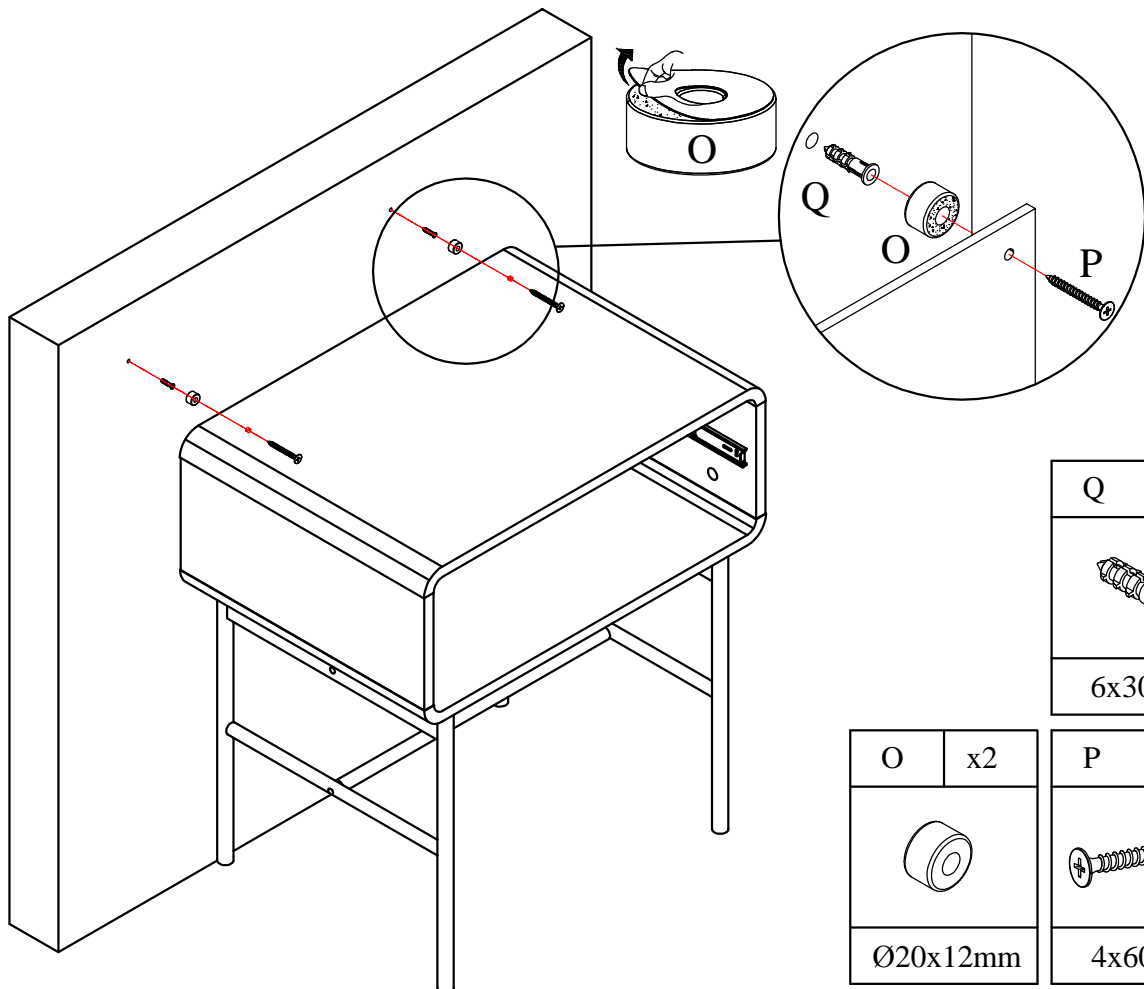
D	x4	J	x2
			
3.5x14mm		340mm	




13



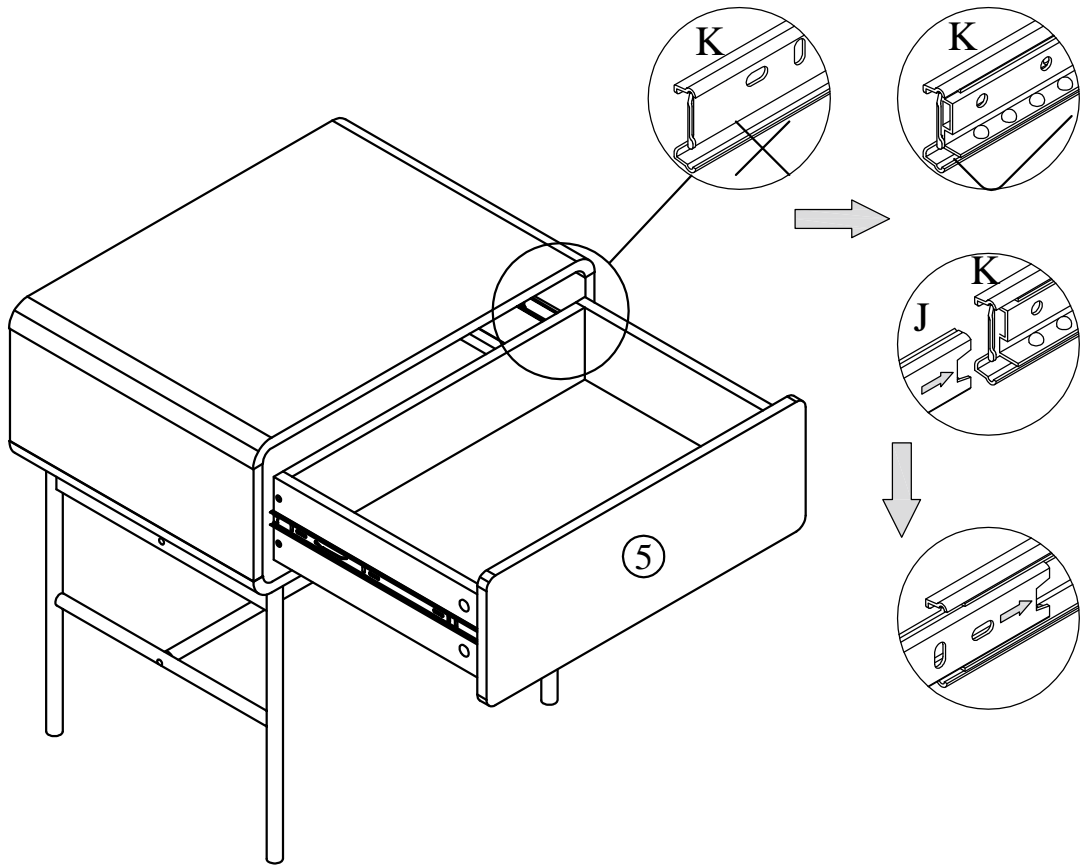
D	x4	I	x4
			
3.5x14mm			

14



Q	x2	P	x2
			
6x30mm		4x60mm	
O	x2		
			
Ø20x12mm			

15



16

