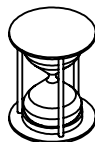
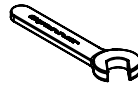


# MALIBU 140

Art.Nr.: 27680093/06

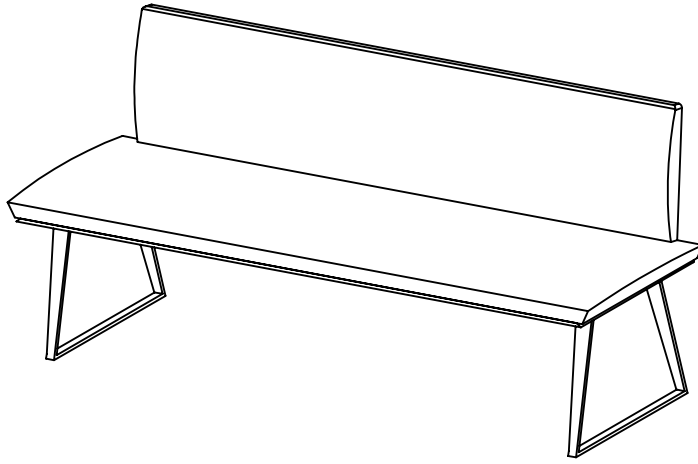






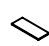
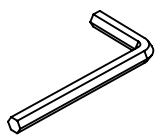

30 min.

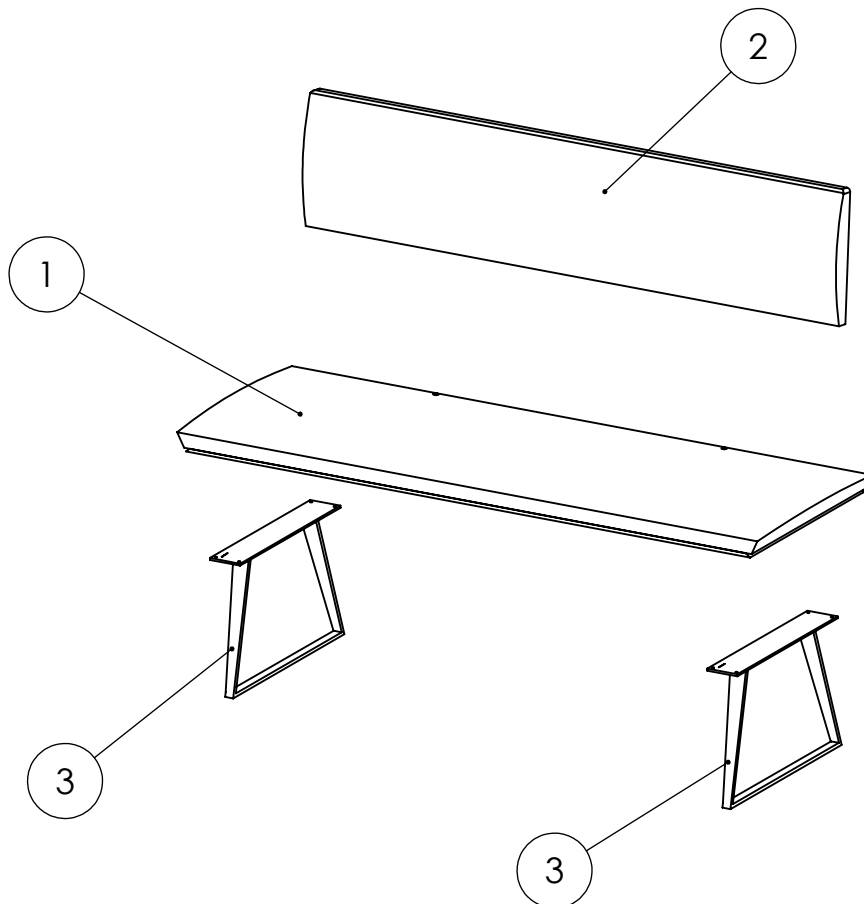




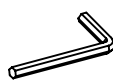
Colly 1/2: 1,2,Ax8,Bx10,Cx2,Dx2,Fx4

Colly 2/2: 3x2

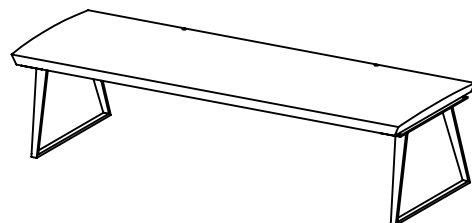
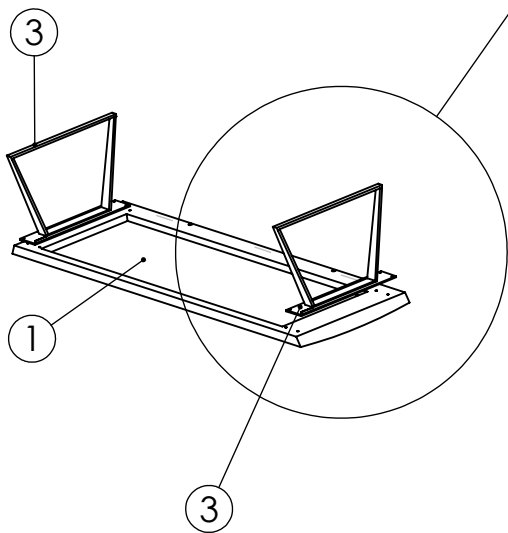
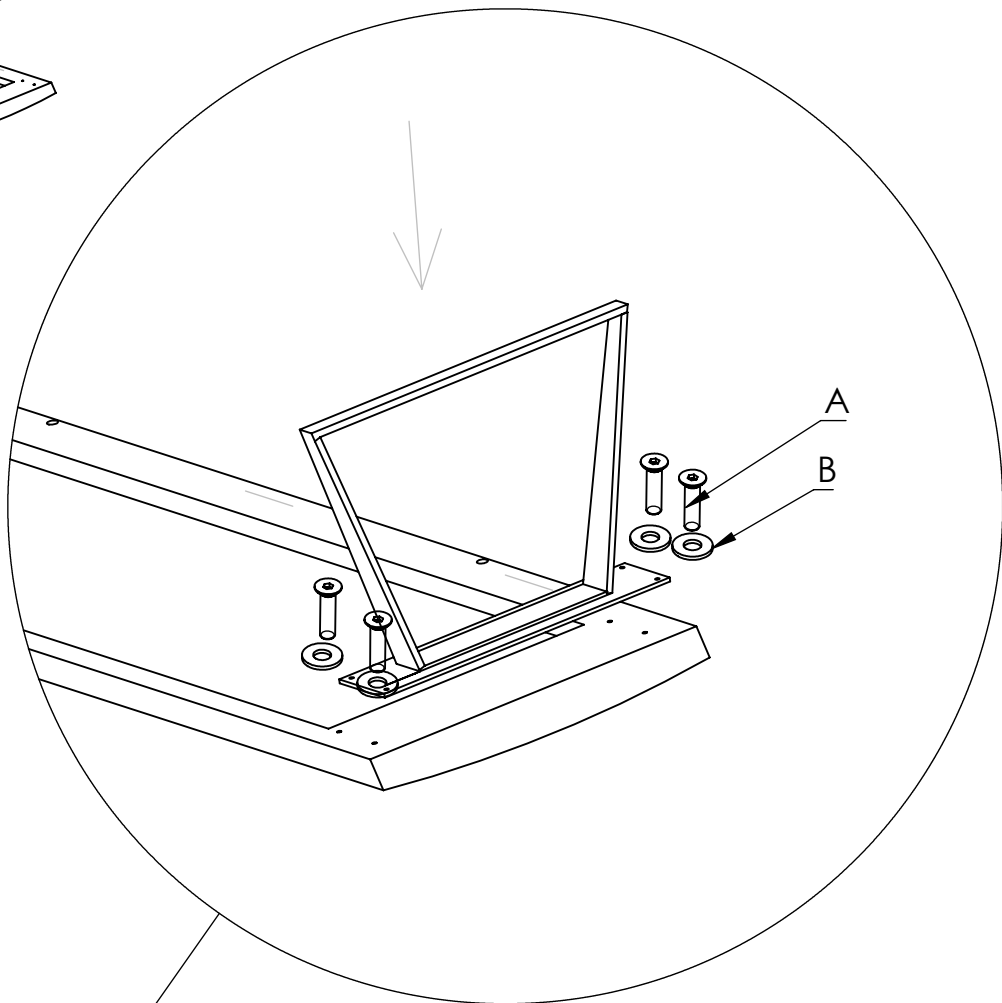
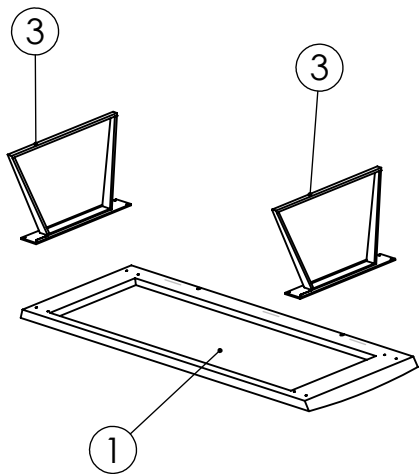


Ax8 	Bx10 
M8x40 	M8 
Cx2 	Dx2 
Fx4 	

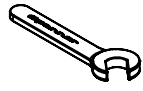


Ax8 	Bx8 	
M8x40	M8	

1



Cx2

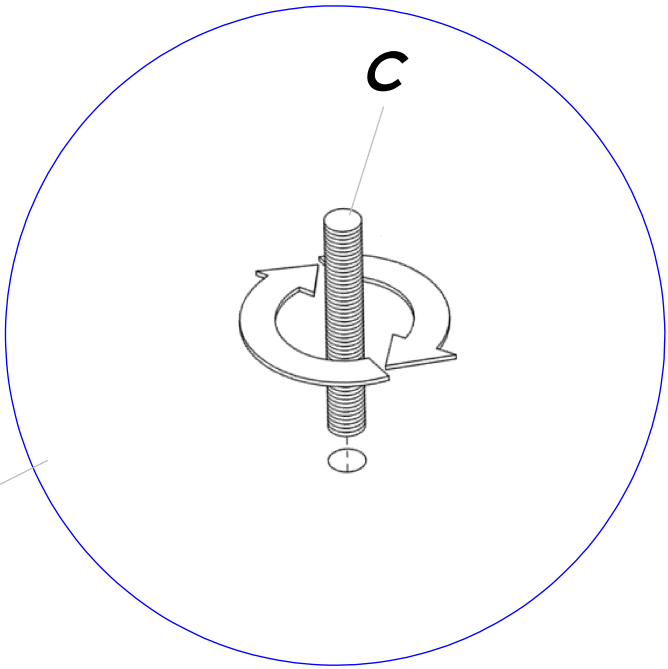


2

120

C

C



2

Bx2



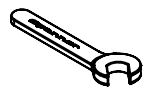
M8

Dx2

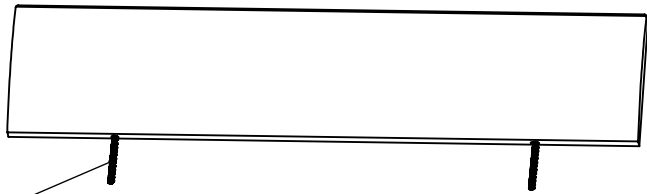


M8

Fx4



3.



C



F

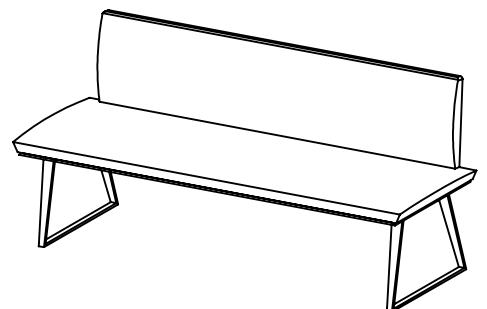
F

B

D

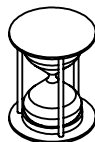
F

F

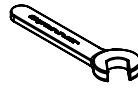
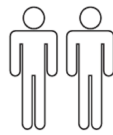


# MALIBU 160

Art.Nr.: 27680093/08

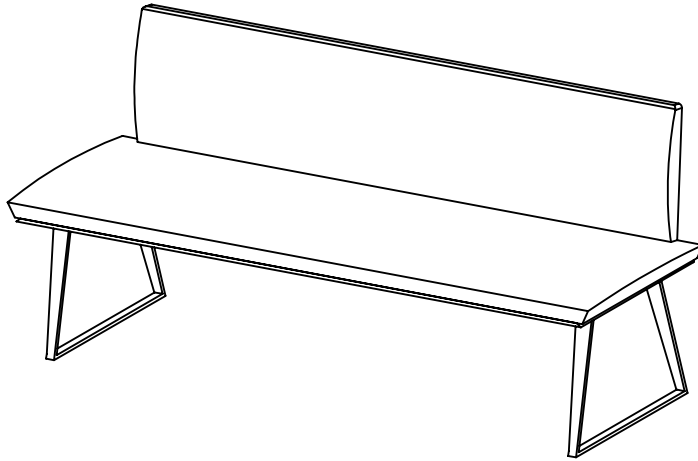







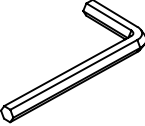

30 min.

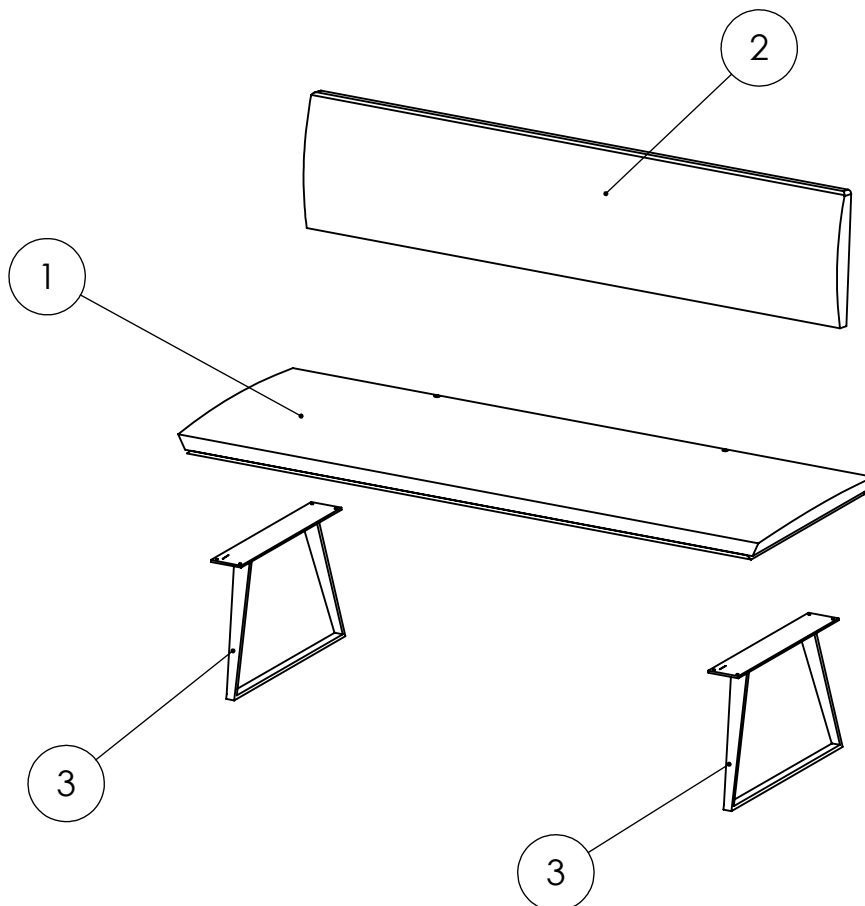




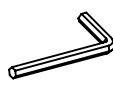
Colly 1/2: 1,2,Ax8,Bx10,Cx2,Dx2,Fx4

Colly 2/2: 3x2

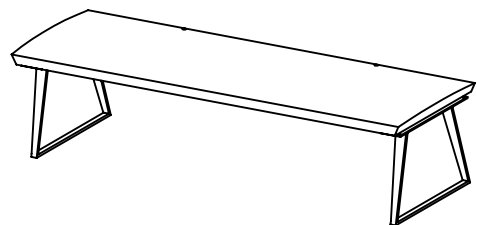
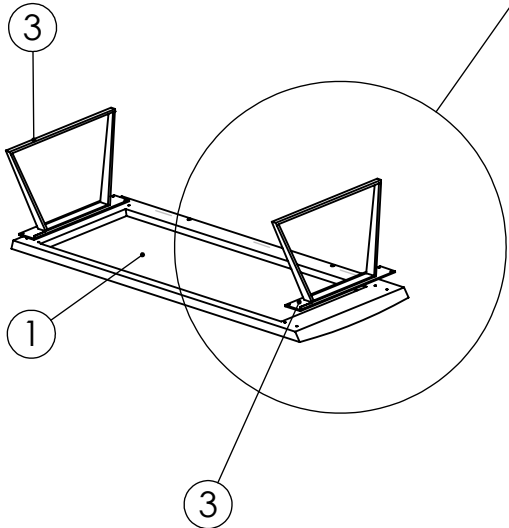
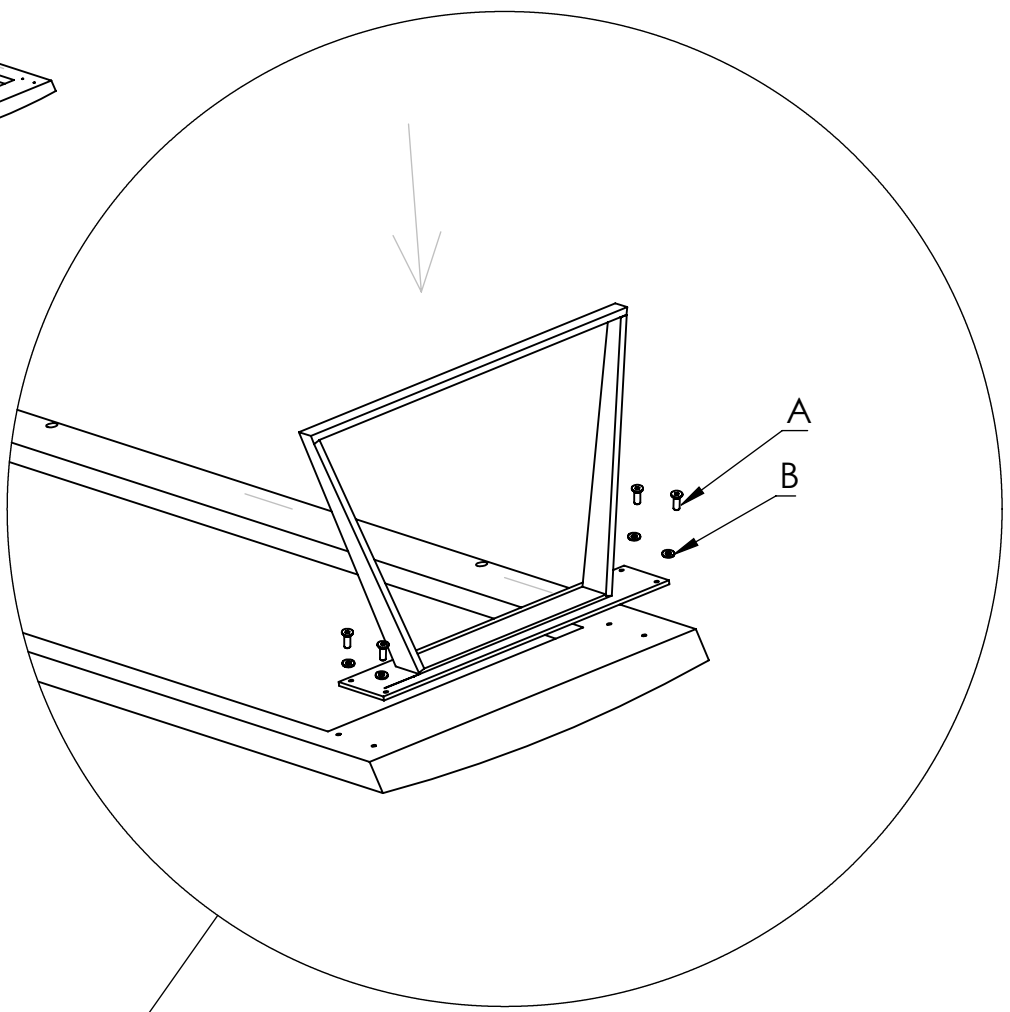
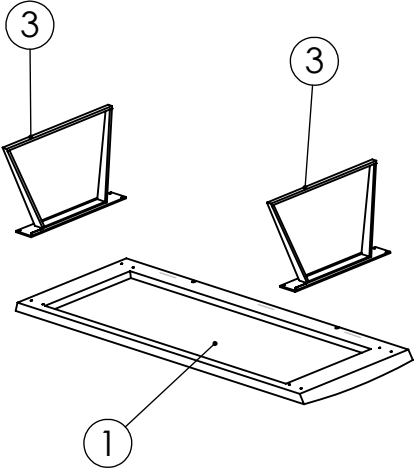


Ax8 	Bx10 
M8x40 	M8 
Cx2 	Dx2 
Fx4 	

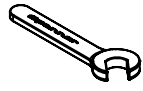


<p>Ax8</p>  <p>M8x40</p>	<p>Bx8</p>  <p>M8</p>	
--	--	---

1



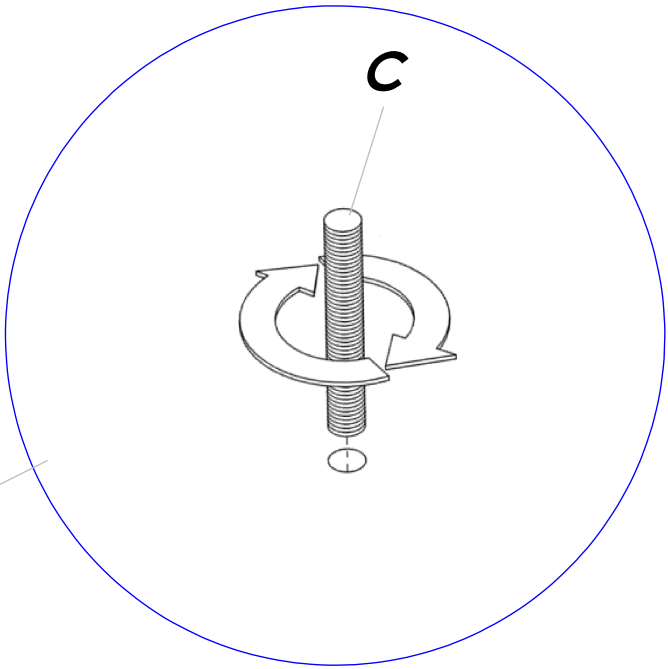
Cx2



2

120

C



2

Bx2



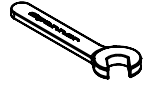
M8

Dx2

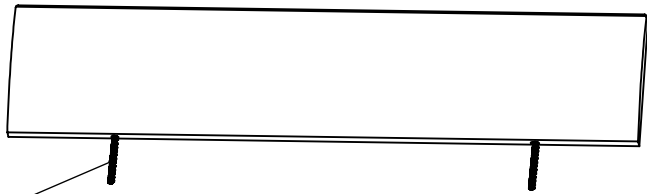


M8

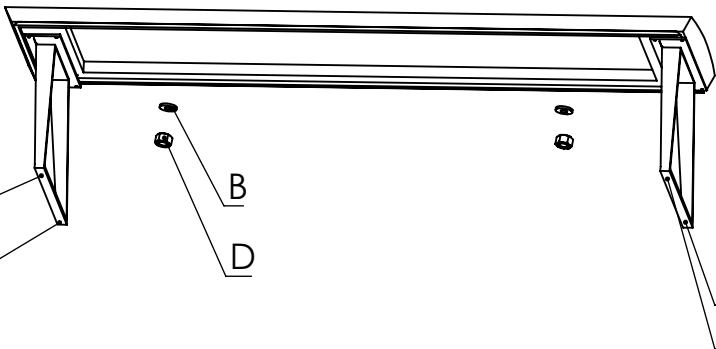
Fx4



3.



C



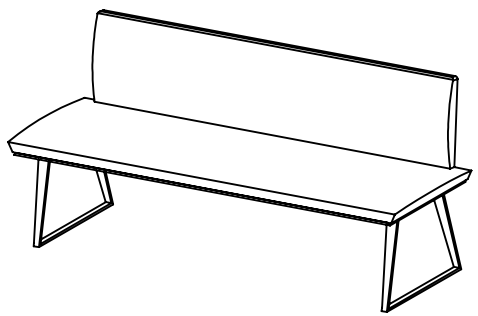
F

B

D

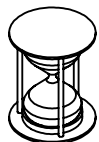
F

F

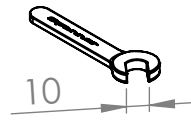
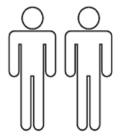
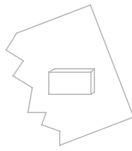


# MALIBU 180

Art.Nr.: 0027680093/06

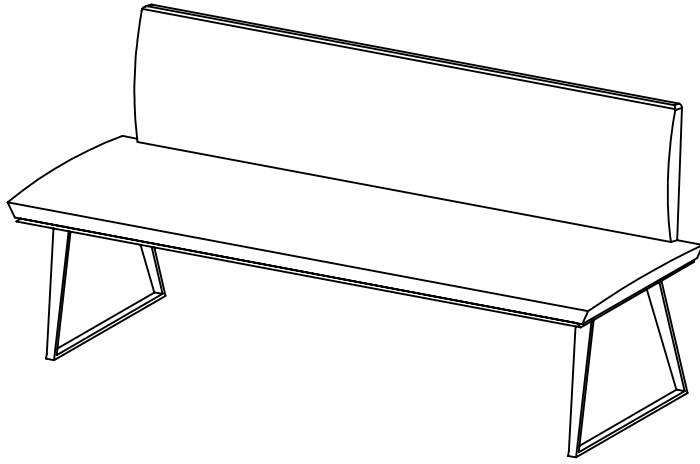










30 min.

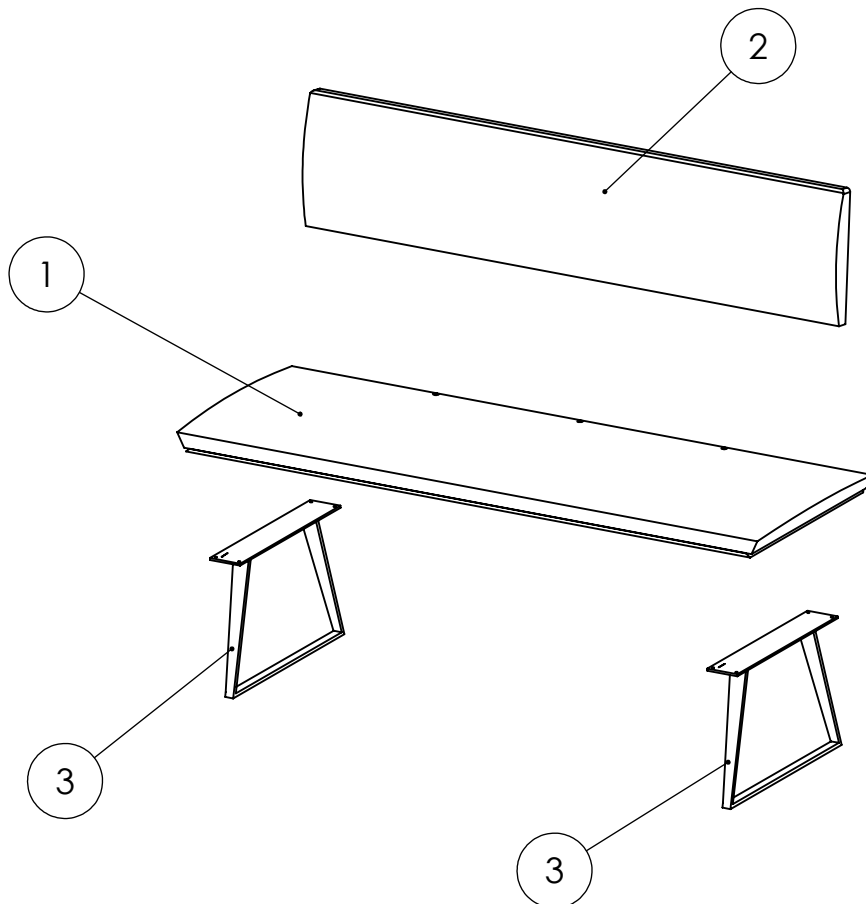


Colly 1/2: 1,2,Ax8,Bx11,Cx3Dx3,Fx4

Colly 2/2: 3x2

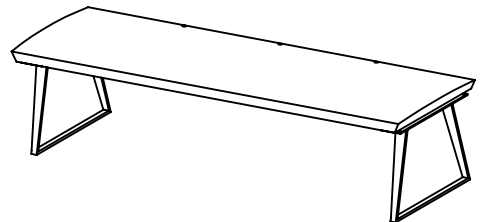
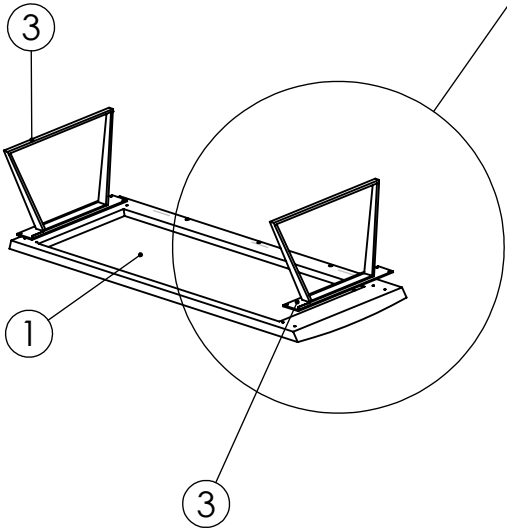
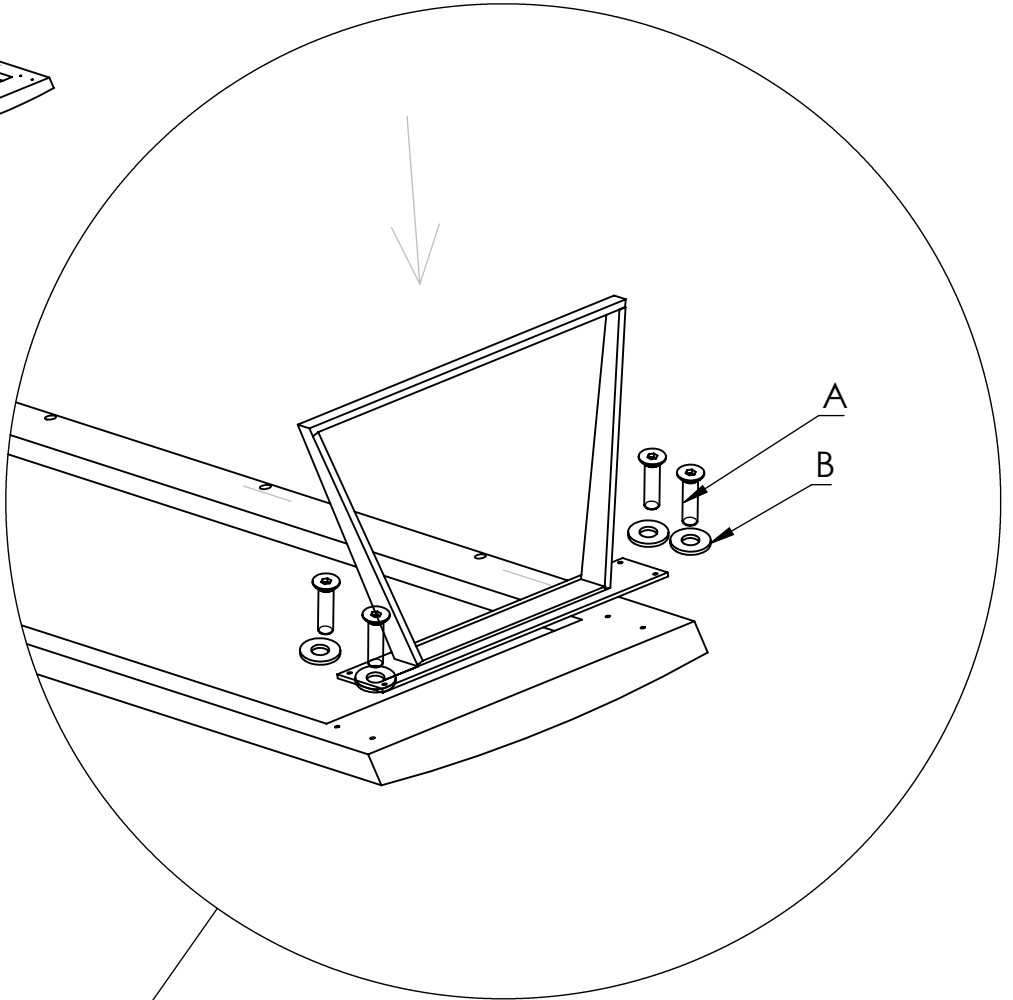
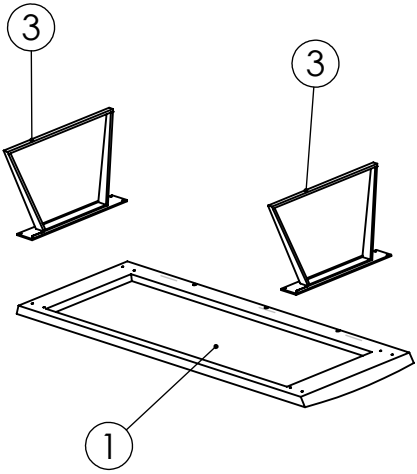


Ax8 	Bx11 
M8x40 	M8 
Cx3 	Dx3 
Fx4 	



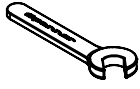
Ax8 M8x40	Bx8 M8	
--------------	-----------	--

1

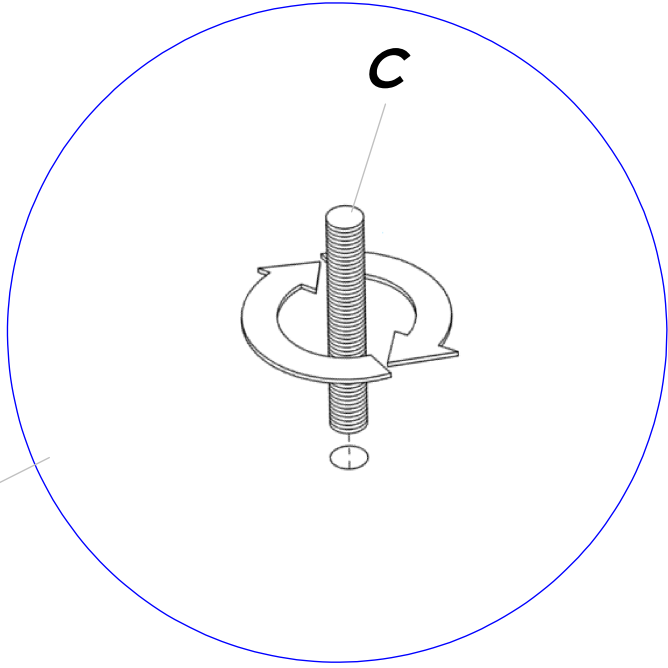
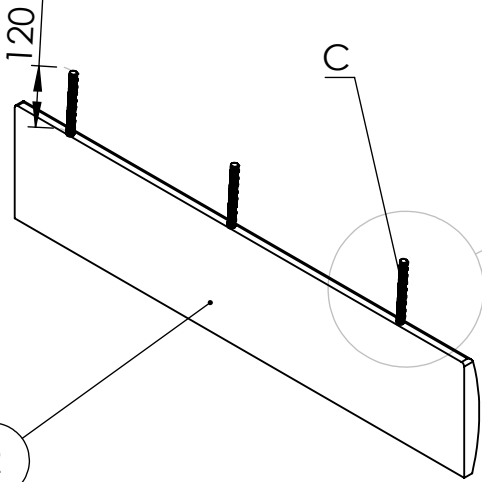




Cx3



2



2

Bx3



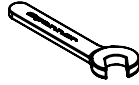
M8

Dx3



M8

Fx4



3.

