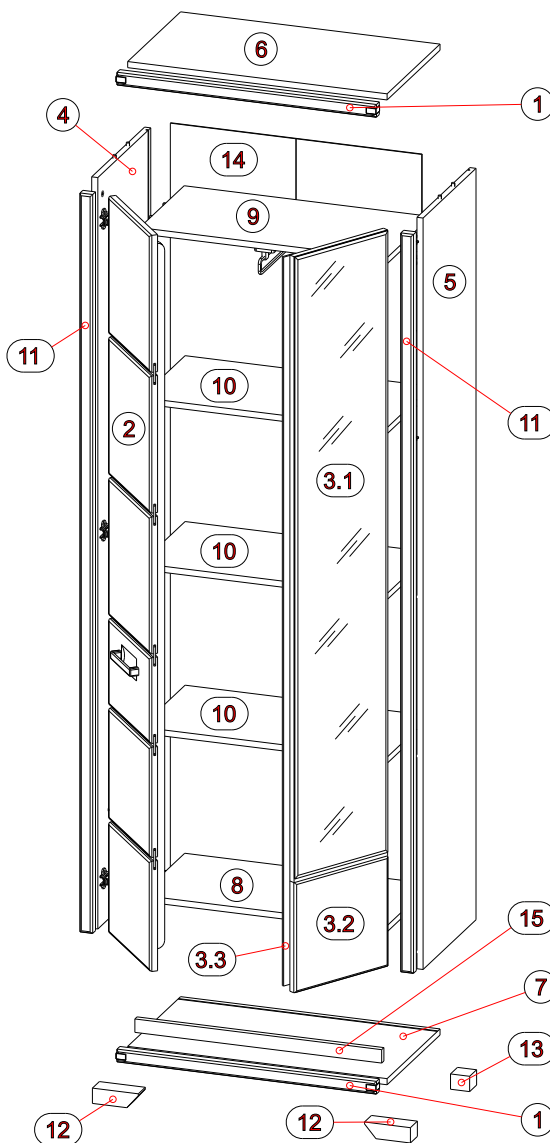
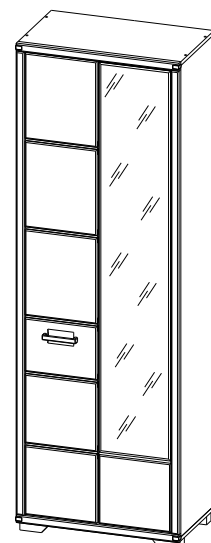
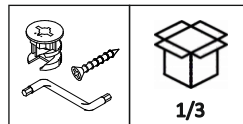
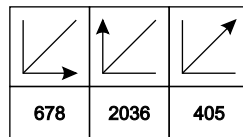


A GENUA

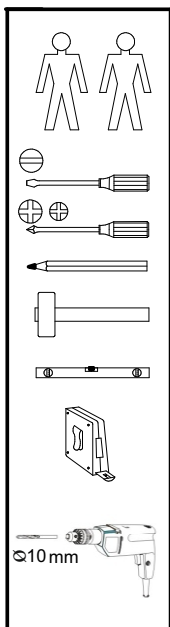
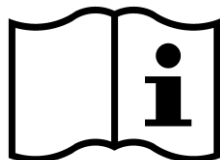
32 15 HH 01

A	C1	C2	C3	D	PCS
1	678	33	25	2/3	2
2	300	1924	55	2/3	1
3.1	1635	300	20	2/3	1
3.2	300	298	55	2/3	1
3.3	1905	35	5	23	1
4	1964	380	16	3/3	1
5	1964	380	16	3/3	1
6	678	380	16	1/3	1
7	678	380	16	1/3	1
8	645	320	16	1/3	1
9	645	320	16	1/3	1
10	643	320	16	1/3	3
11	1931	33	25	2/3	2
12	120	40	50	1/3	2
13	50	40	50	1/3	2
14	1976	656	3	3/3	1
15	645	35	16	2/3	1

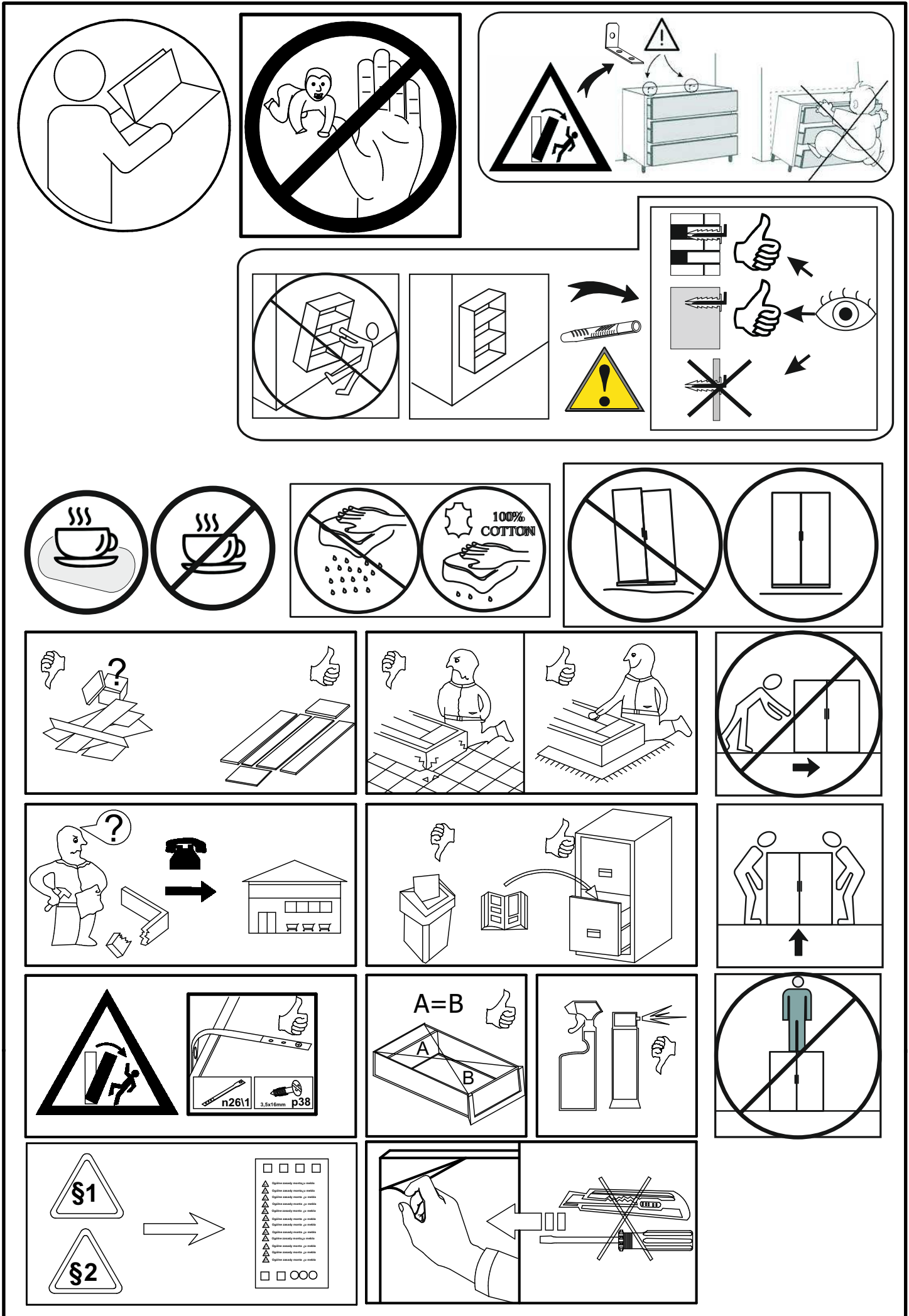


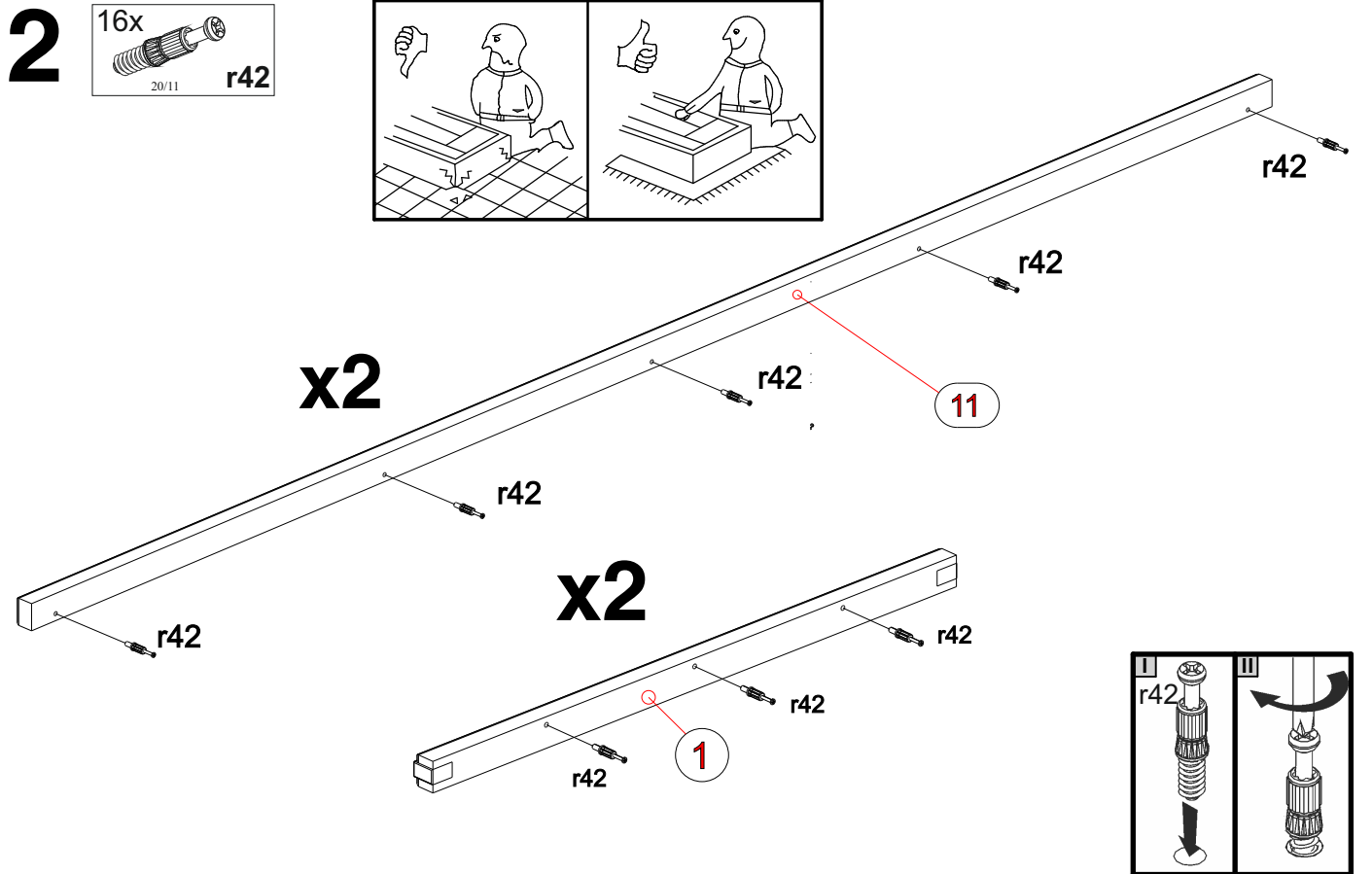
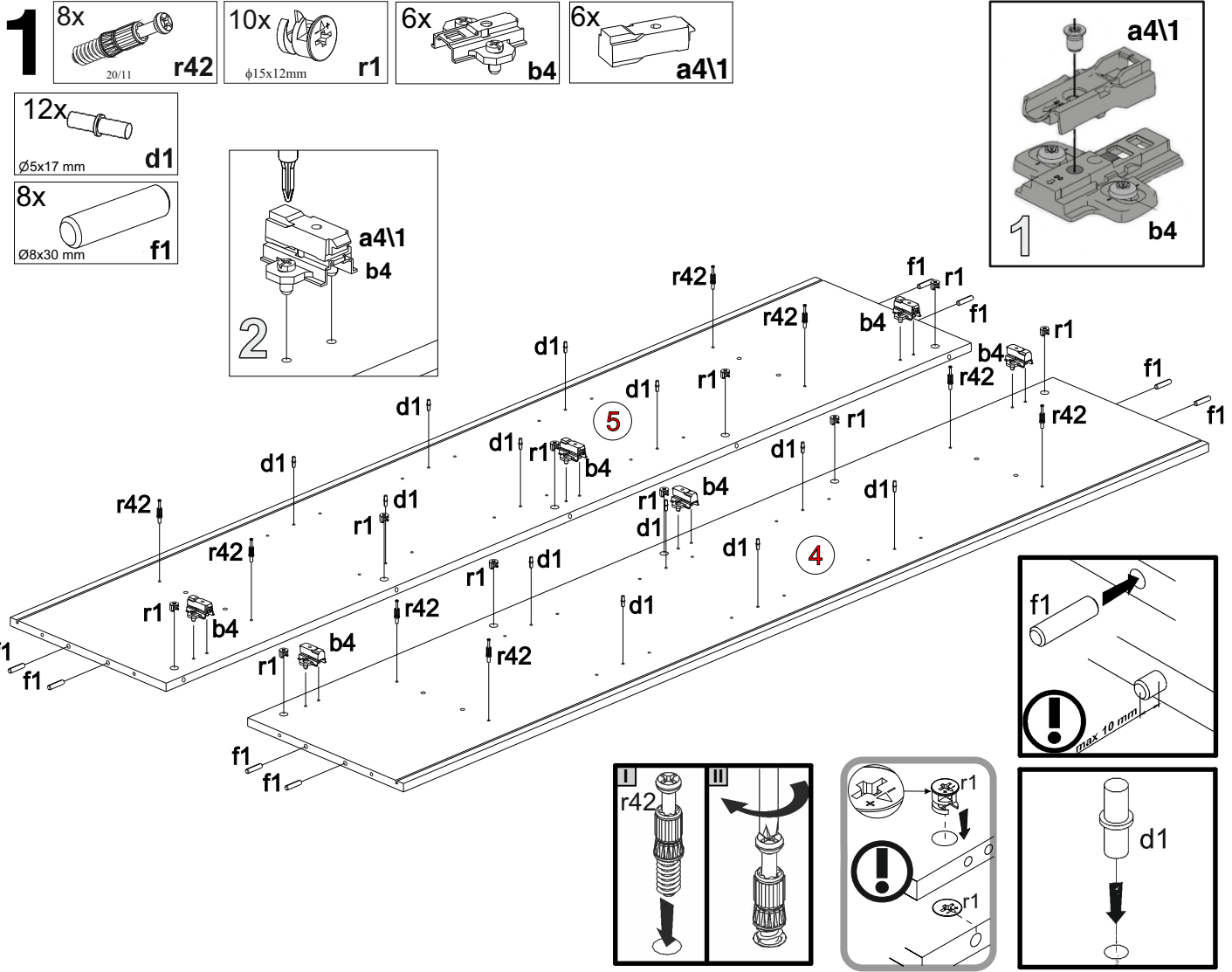
max.
5KG **9 10**

max.
15KG **8**




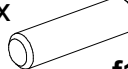
6x a4	6x a41	6x b4	4x a4/2	3x f2 Ø8x60 mm	12x d1 Ø5x17 mm	18x f1 Ø8x30 mm
1x f35 φ10x50 mm	2x j8 M4x25 mm	24x l2	8x s59 Ø 15mm	1x n14 75x30x15/1,5mm	1x p17 φ5x60 mm	18x p19 φ4x16 mm
8x e1 φ7x50 mm	1x m6	7x p56 φ4,1x16 mm	28x r1 φ15x12mm	24x r42 20/11	24x s2 Ø 16	4x s3 Ø16
1x c193	1x z1	2x r43	x2 p6 Ø4x30 mm	x8 p21 Ø4x40 mm	4x o21 φ8x1,8mm	




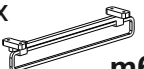


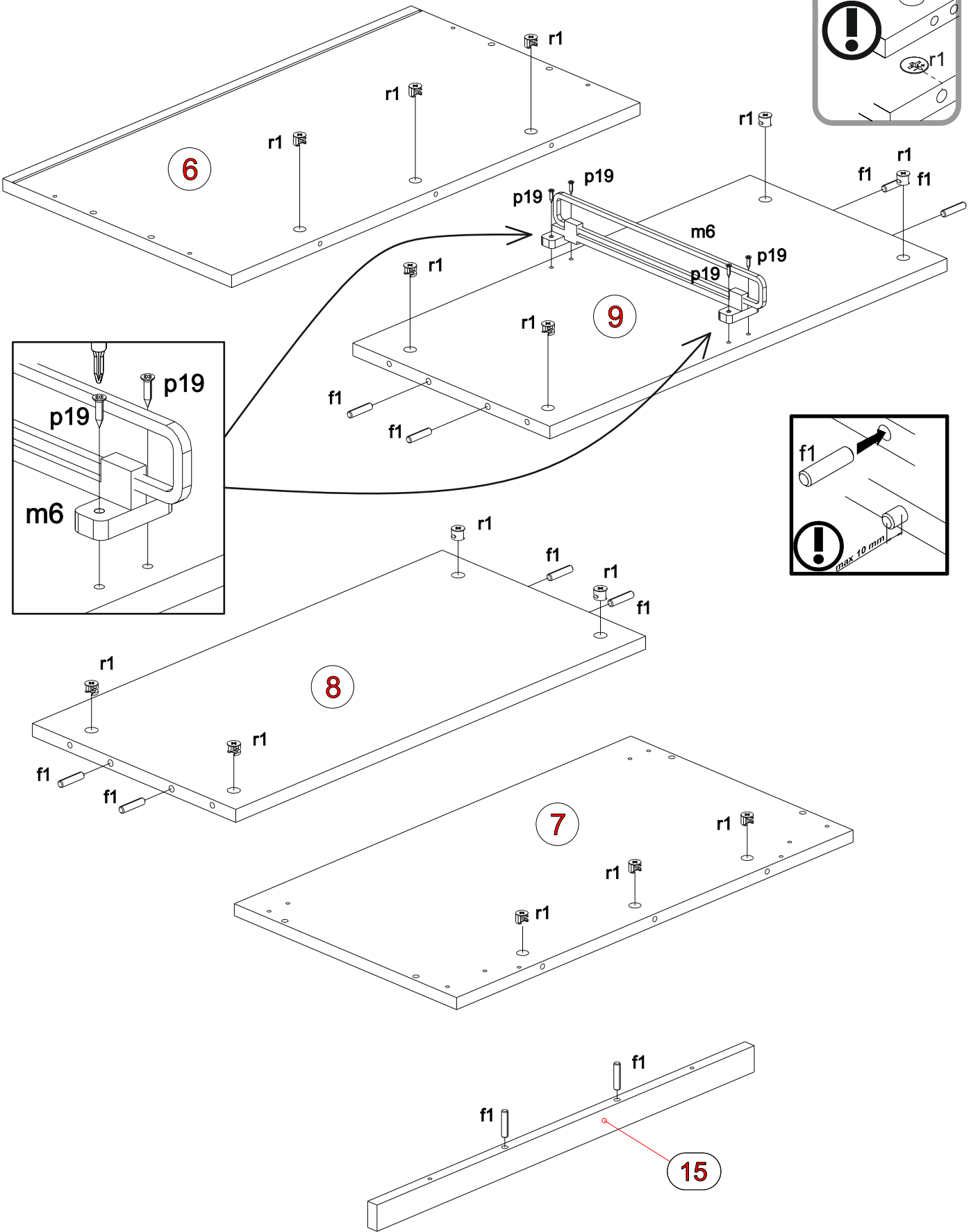
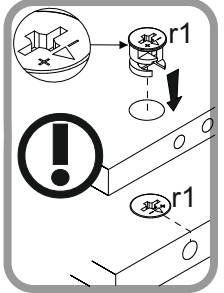
3

14x  r1
φ15x12mm

10x  f1
Ø8x30 mm

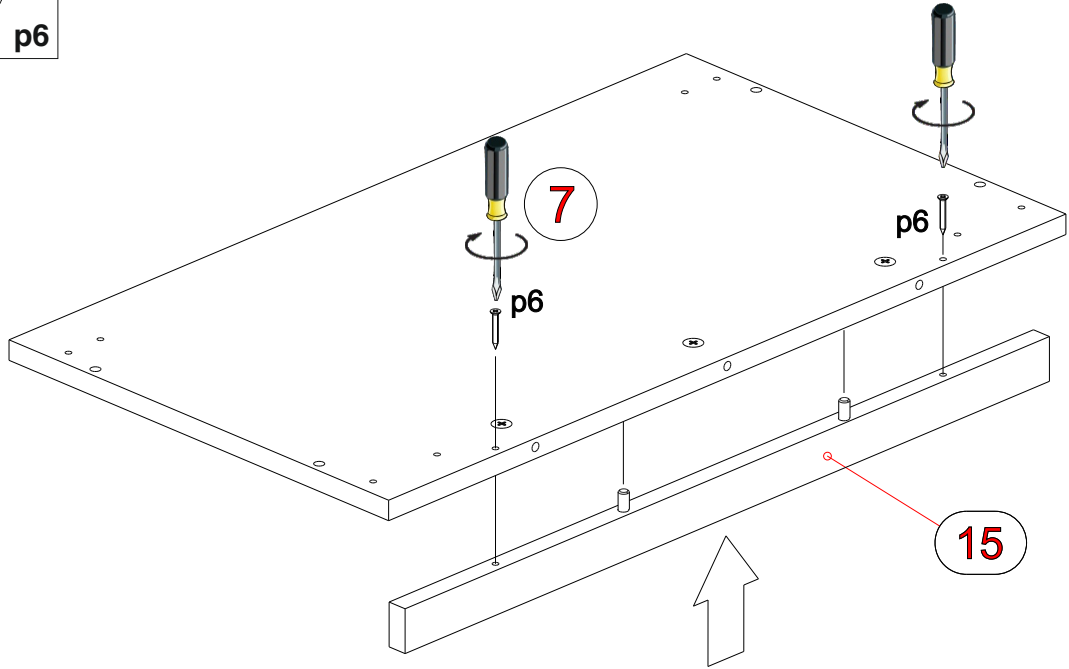
4x  p19
φ4x16 mm

1x  m6



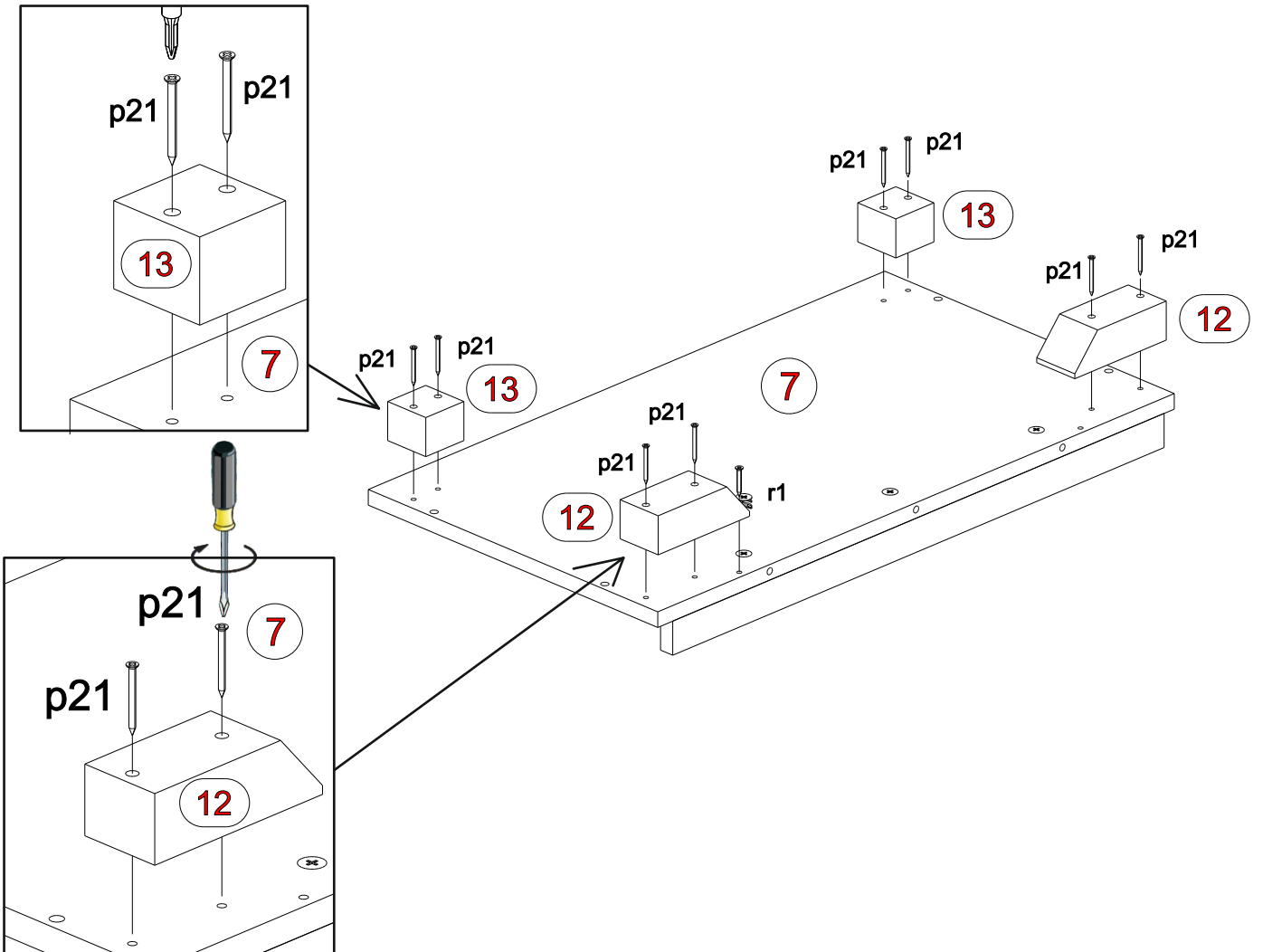
5

x2
Ø4x30 mm p6

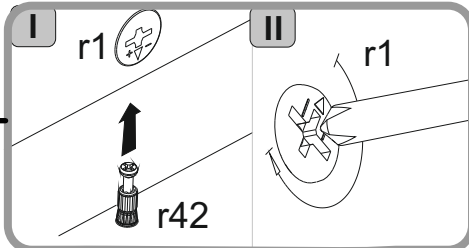
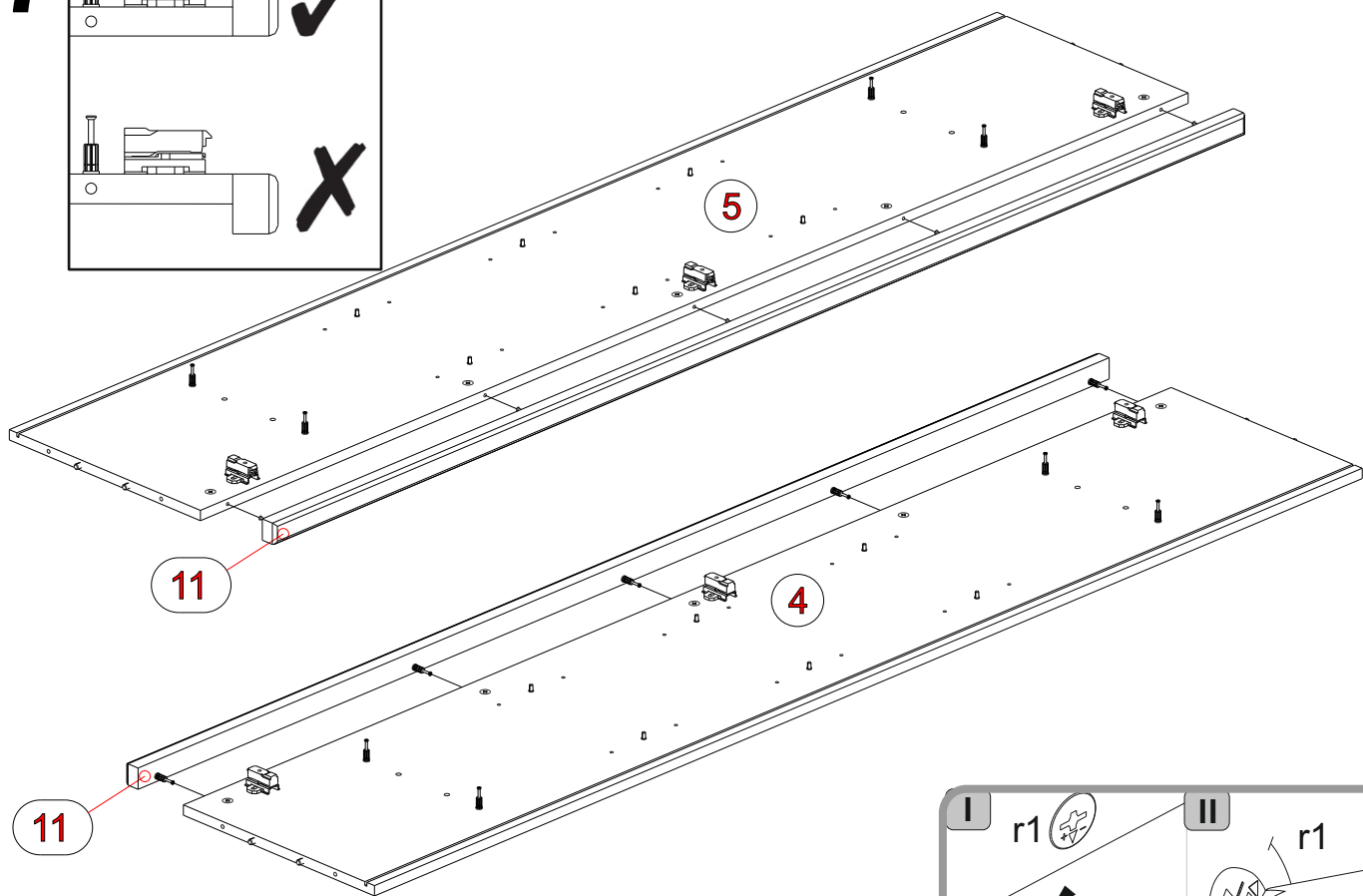
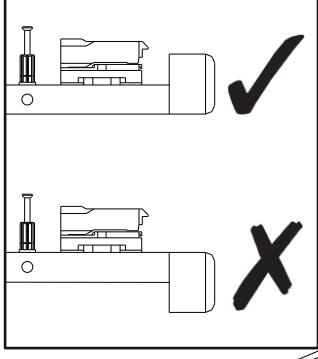


6

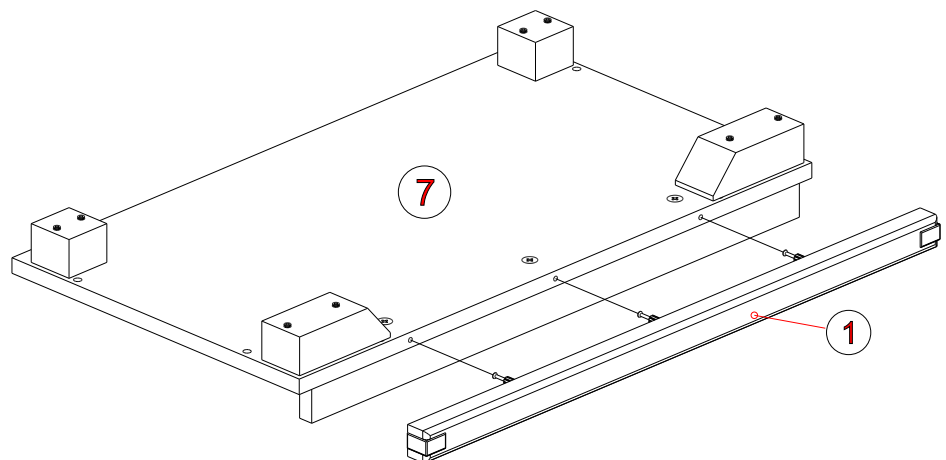
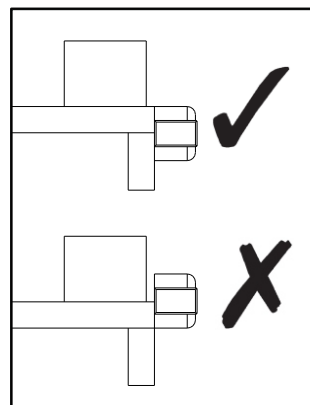
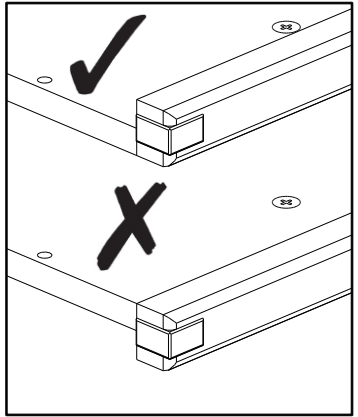
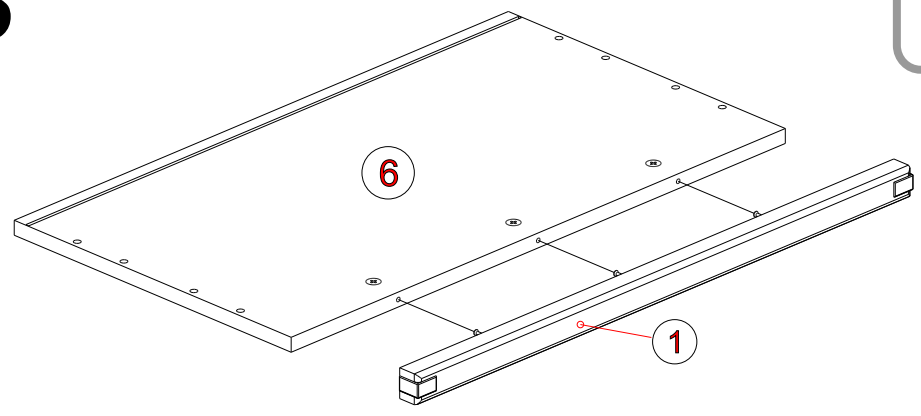
x8
Ø4x40 mm p21



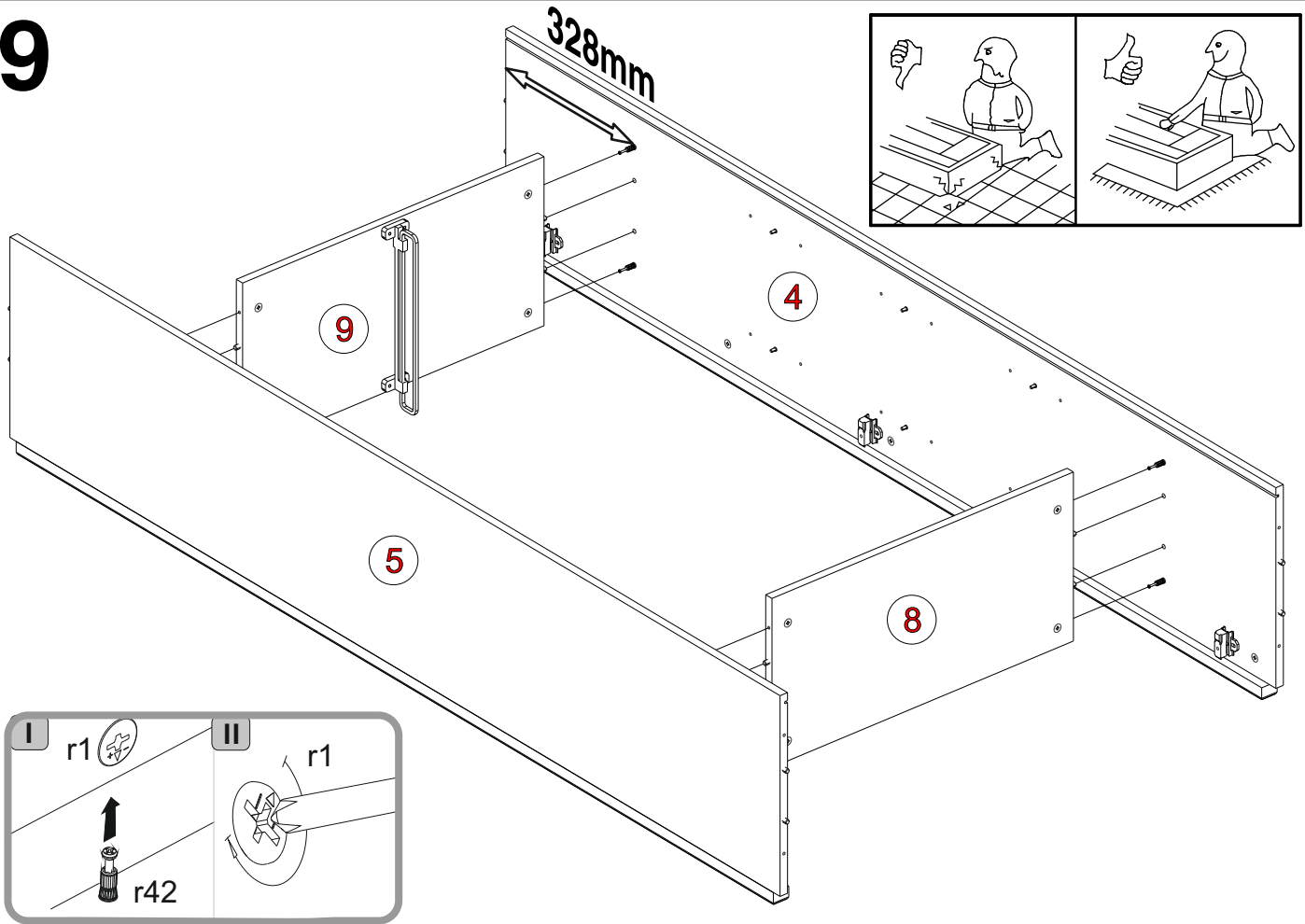
7



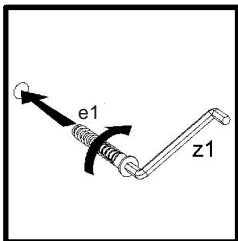
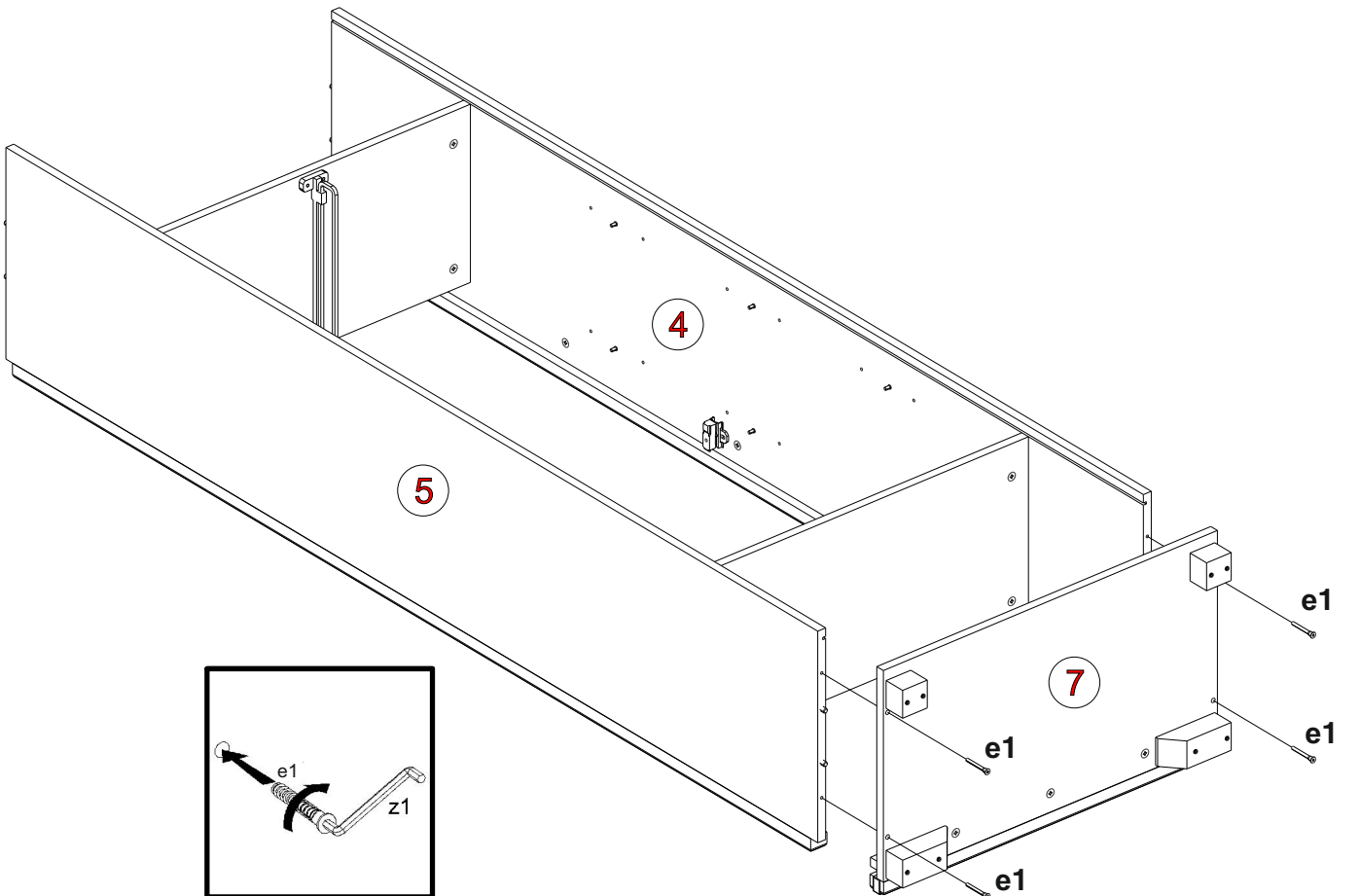
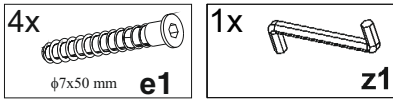
8



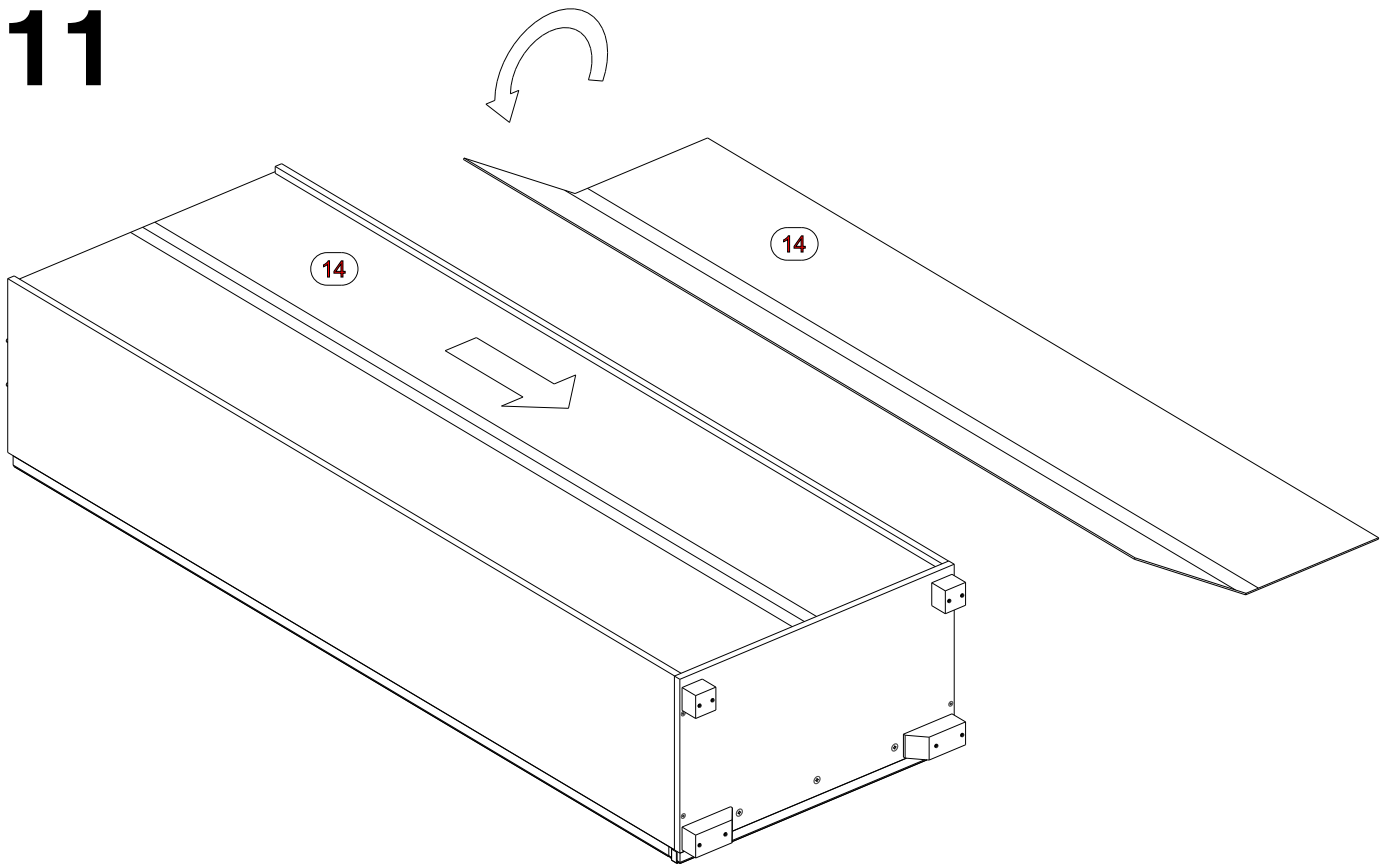
9



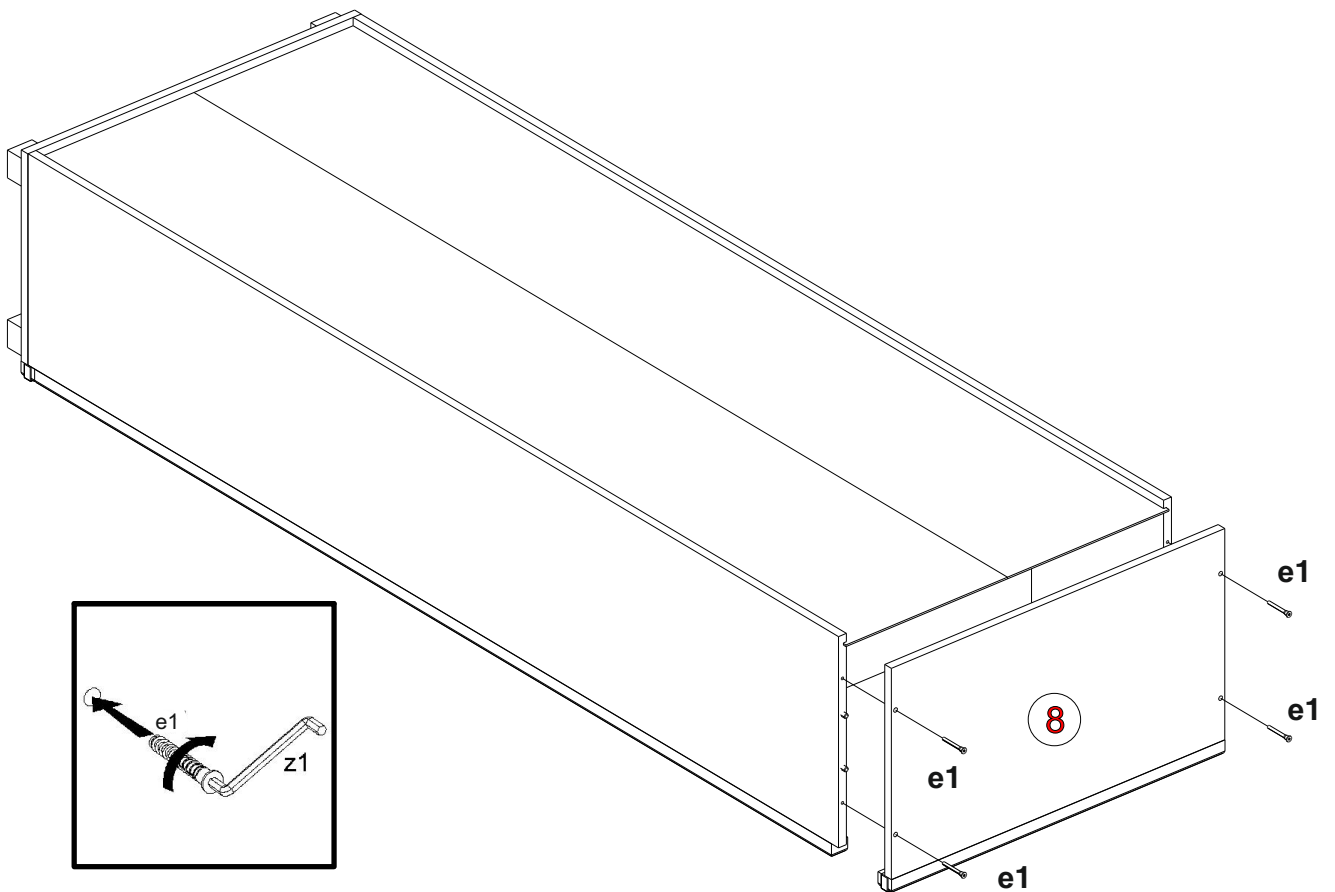
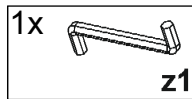
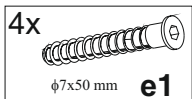
10



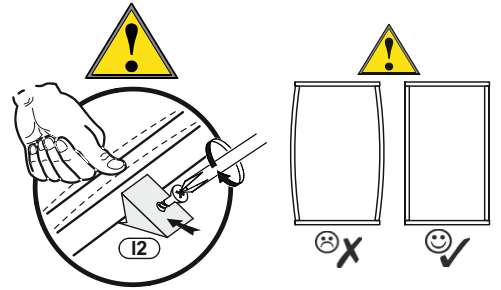
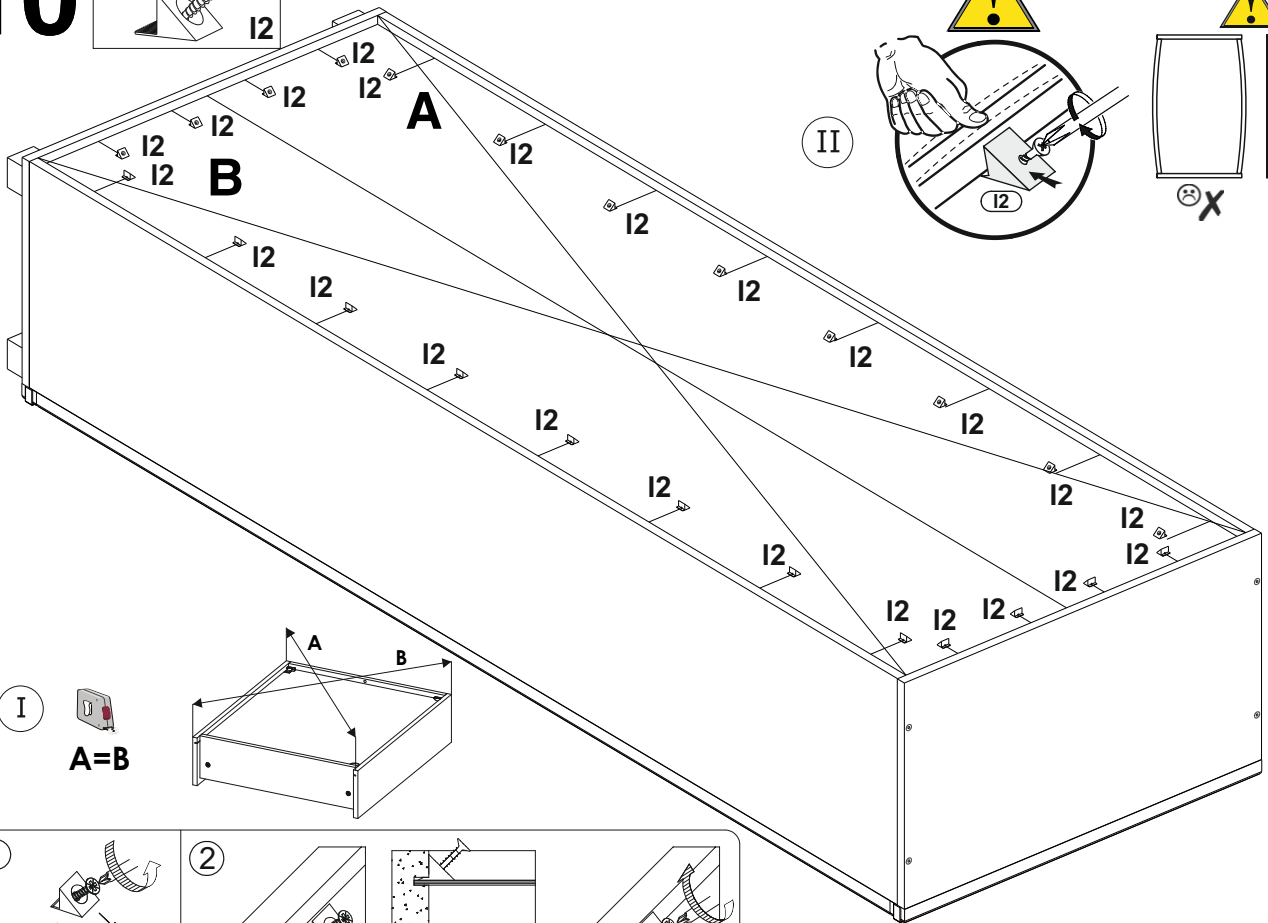
11



12

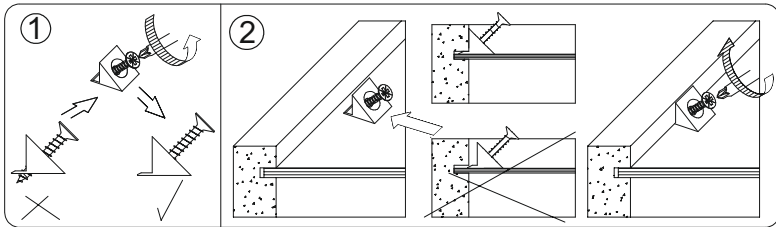
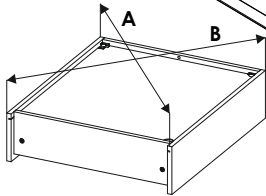


10

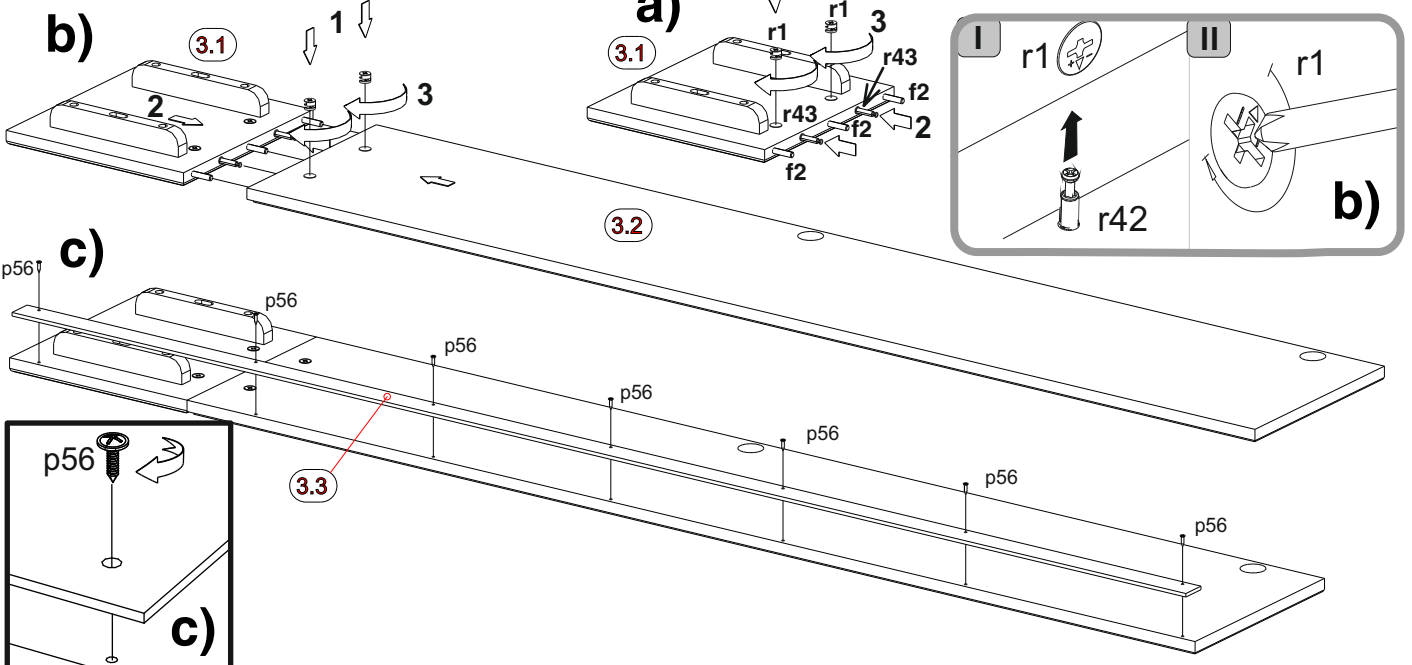
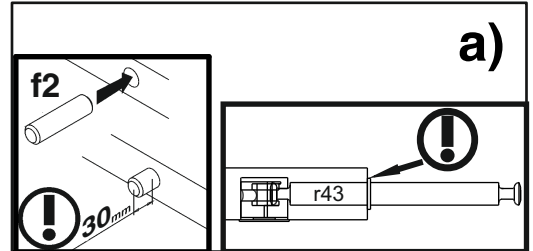
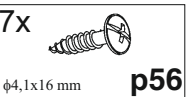
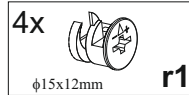
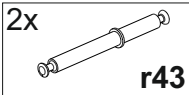
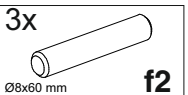


I

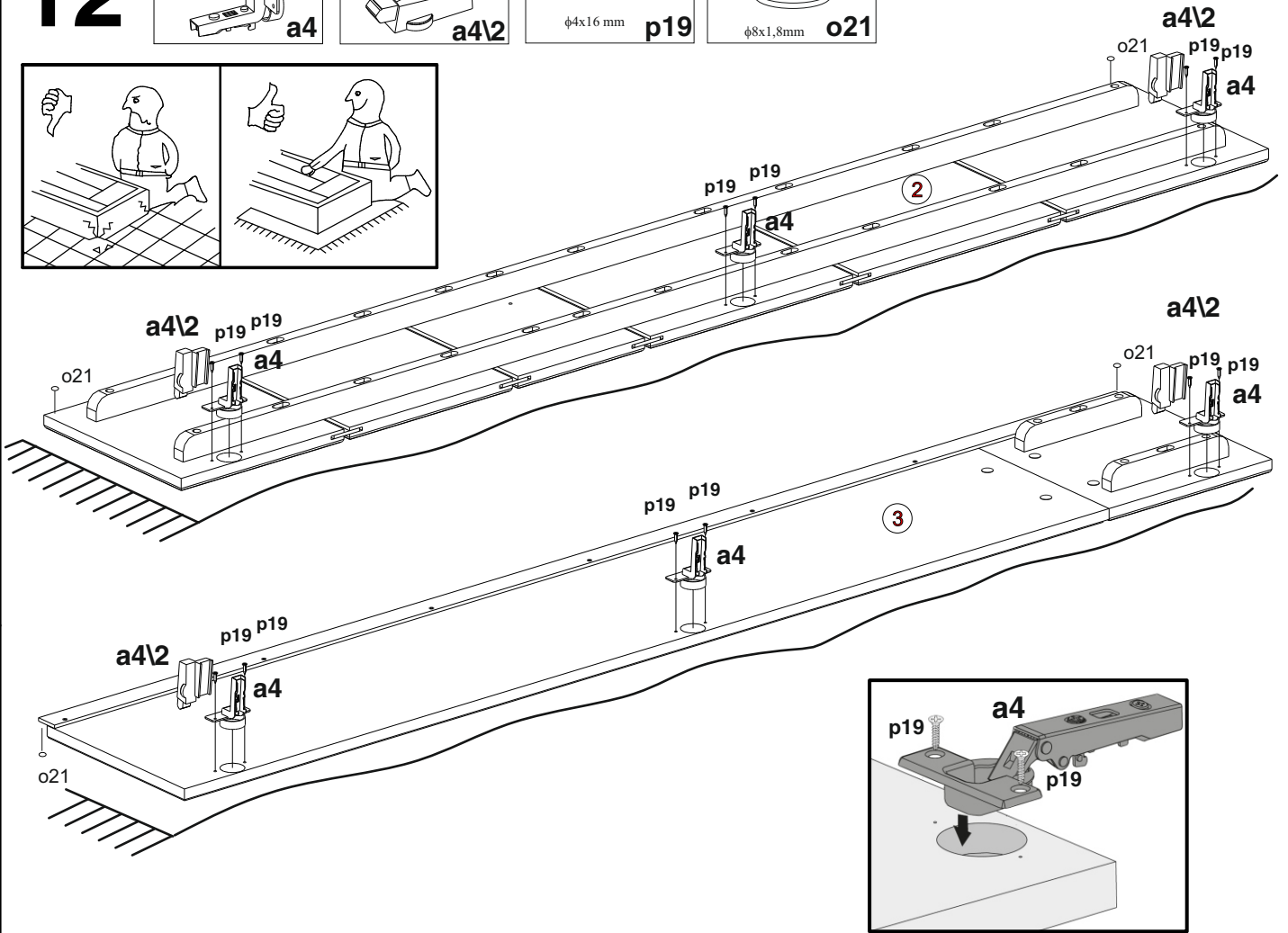
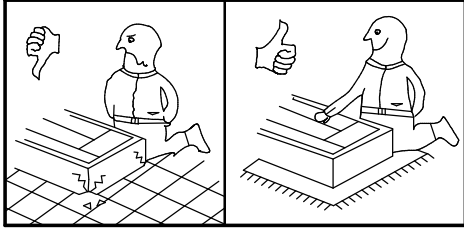
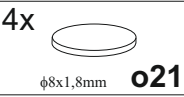
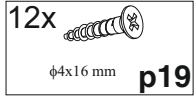
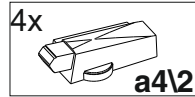
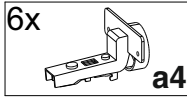
A=B



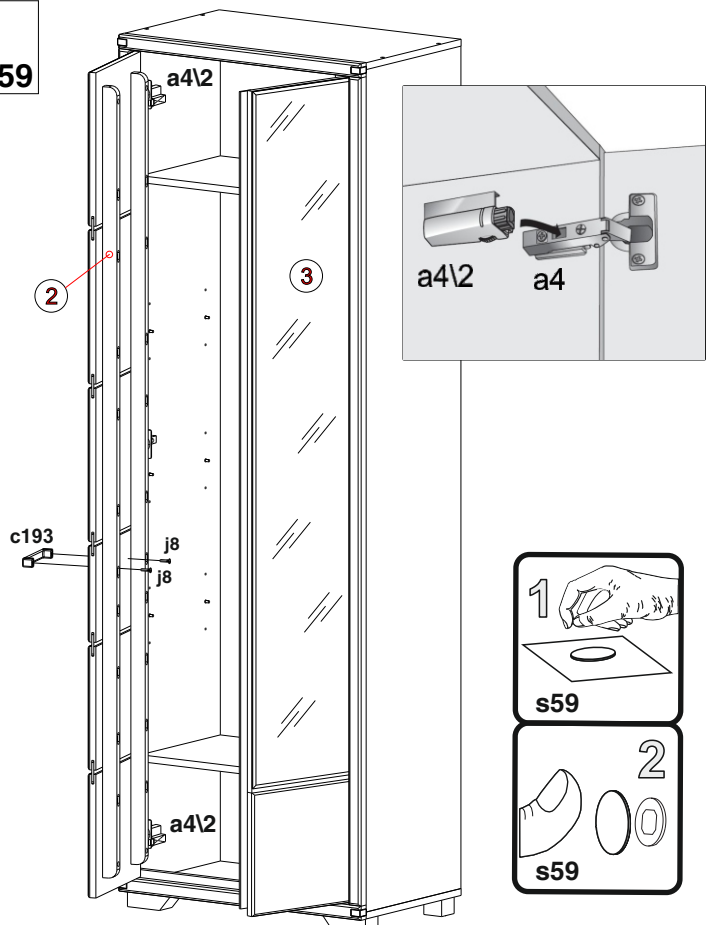
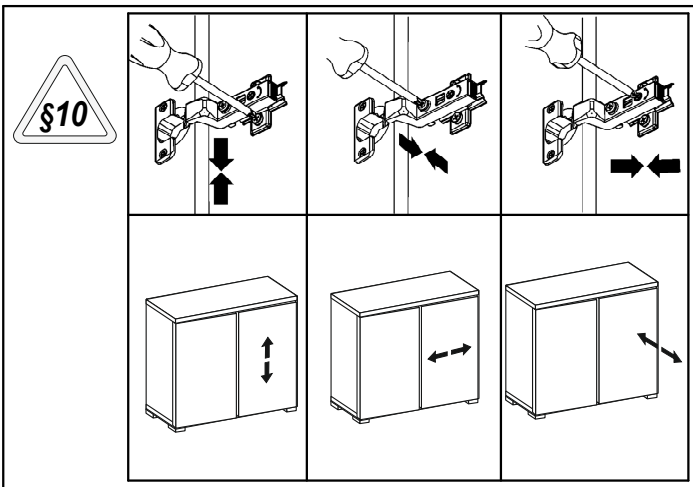
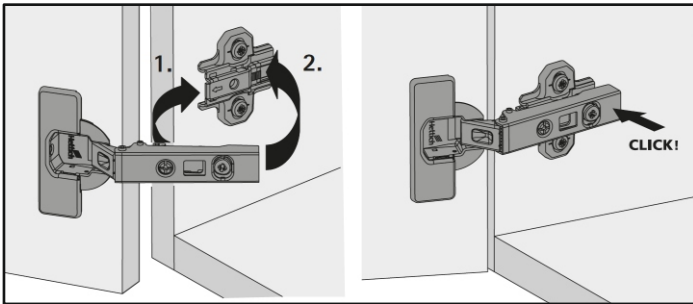
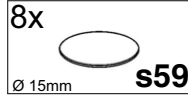
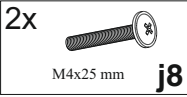
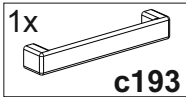
11



12



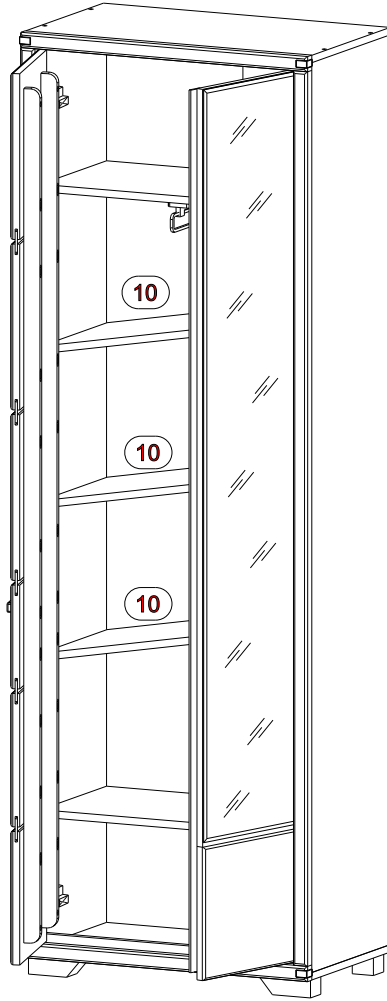
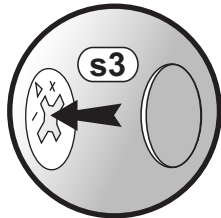
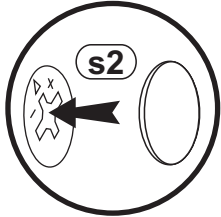
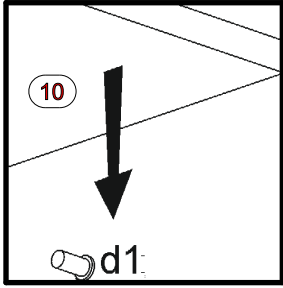
13



14

24x
ø16 s2

4x
ø16 s3



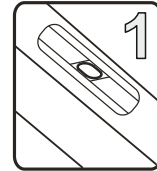
15

1x
φ5x60 mm p17

1x
φ10x50 mm f35

1x
75x30x15/1,5mm n14

2x
φ4x16 mm p19



n14 f35

