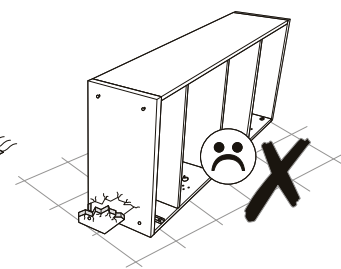
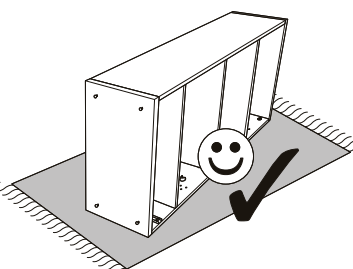
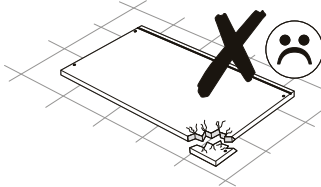
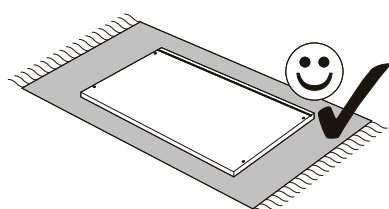
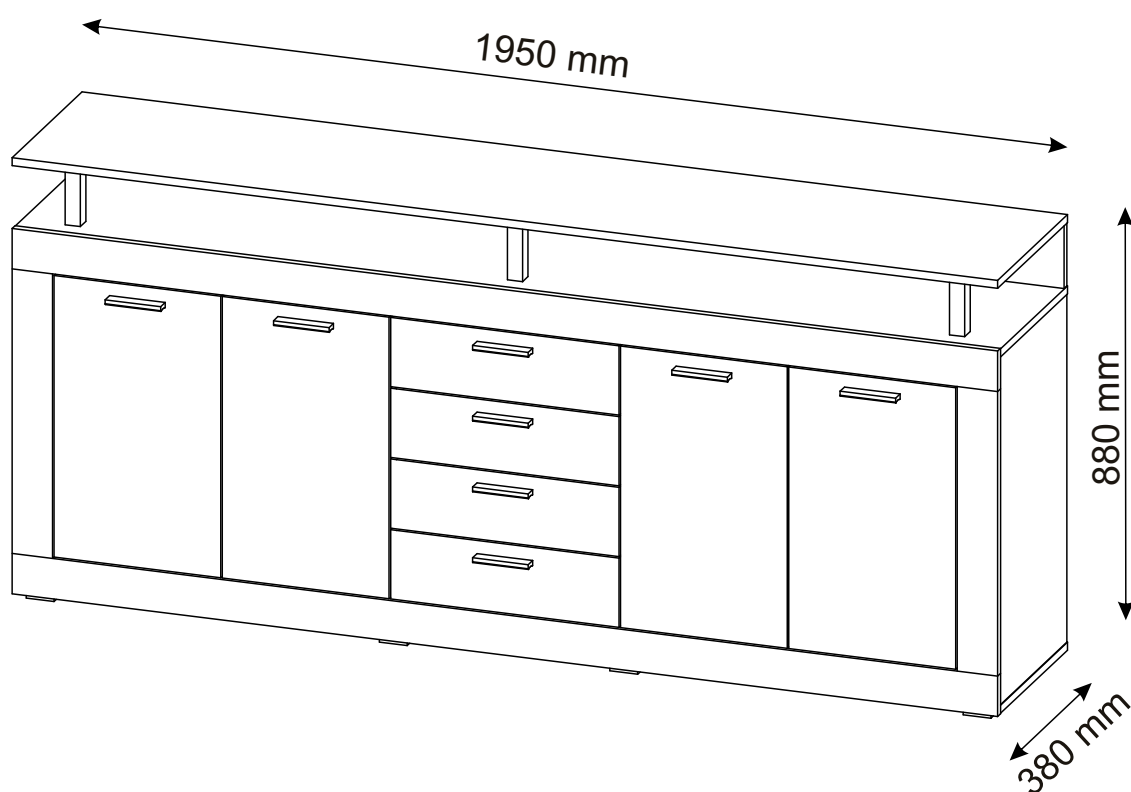
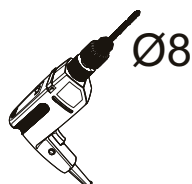
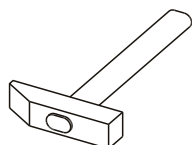
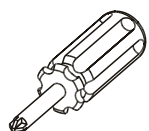
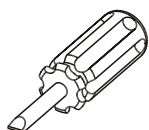
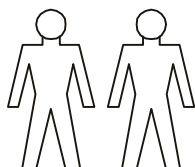
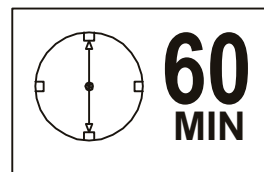

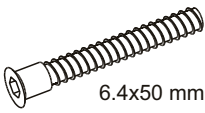

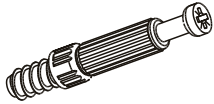


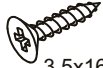

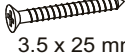
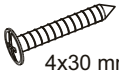

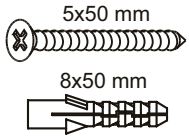

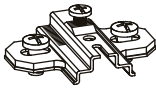
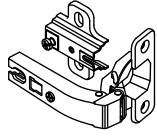
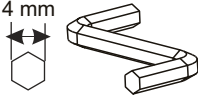


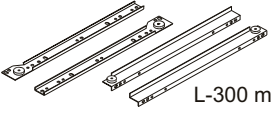
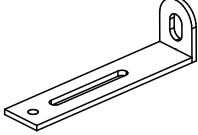
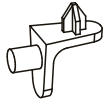
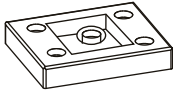

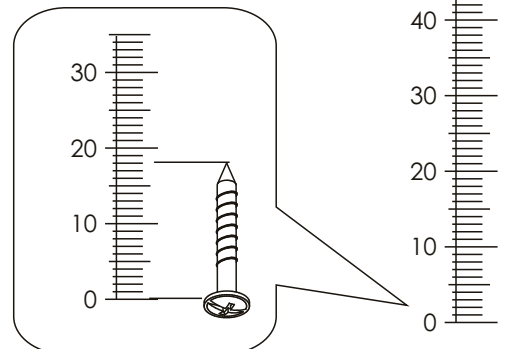
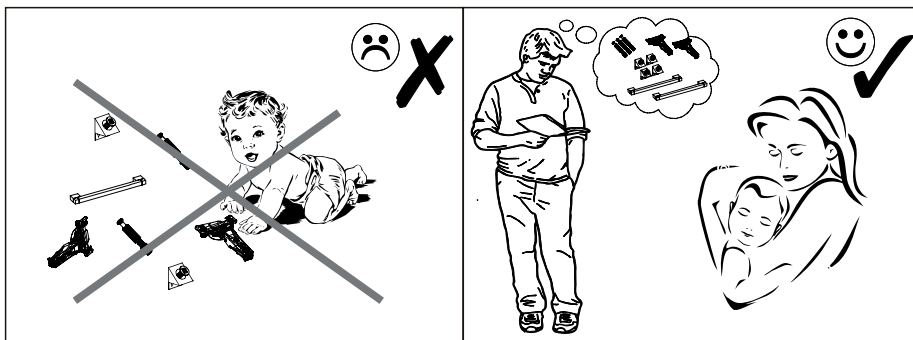


MILA Kommode

00030094/01



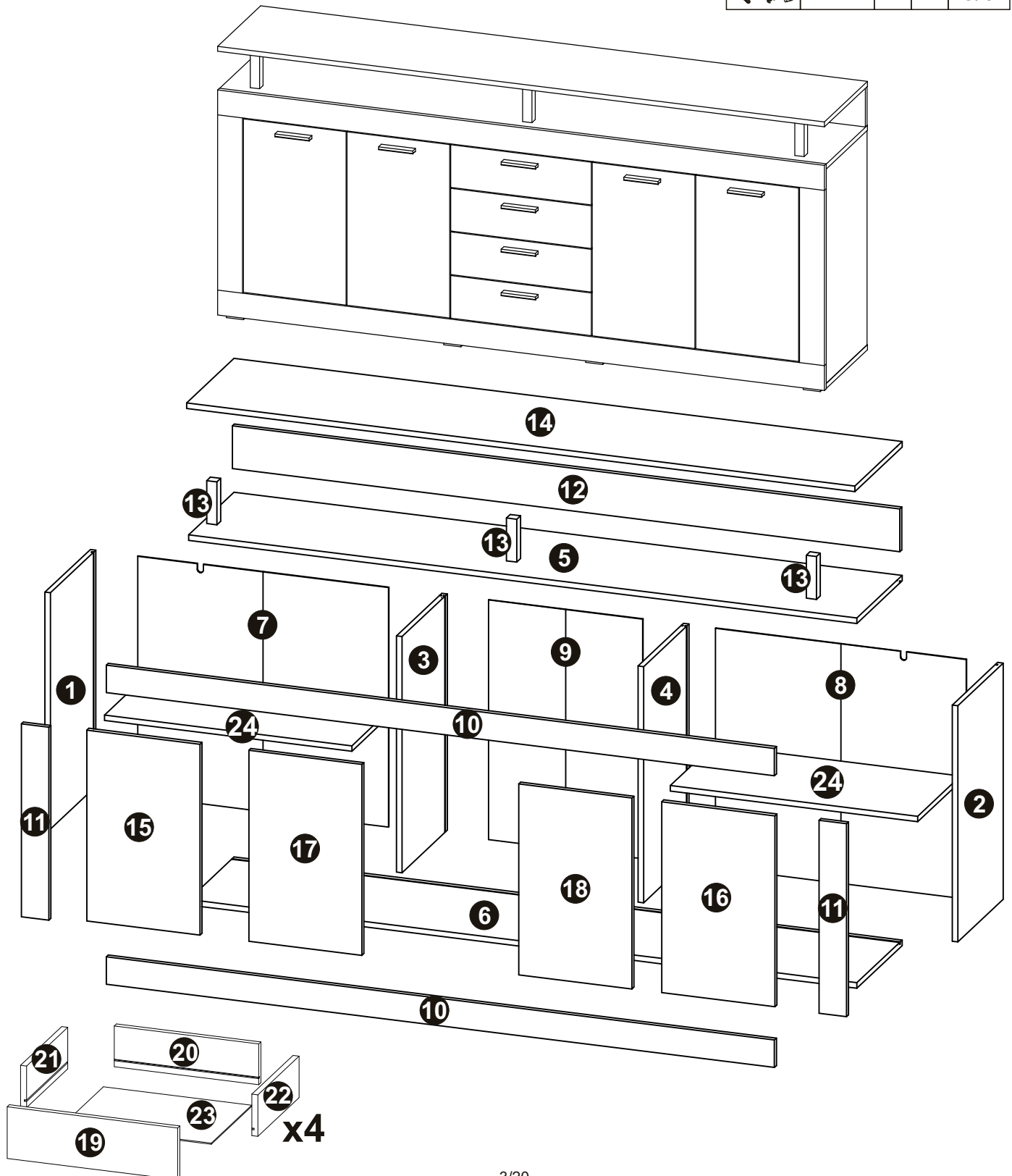
A0  8x30 mm x60	B1  6.4x50 mm x24	C0  x11	MM 260 250 240 230 220 210 200 190 180 170 160 150 140 130 120 110 100 90 80 70 60 50 40 30 20 10 0
C2  x38	C7  16 mm x38	D0  3x15 mm x42	
D5  3.5x16 mm x24	D10  4x16 mm x16	D12  3.5 x 25 mm x32	
D16  4x30 mm x16	D21  5x13 mm x26	E0  5x50 mm 8x50 mm x2	
J5  x4	J6  x4	J36  x4	
K  4 mm x1	L7  L-110 mm x8	M1  x42	
N1  L-300 mm x4	P0  x2	Q3  x8	
T5  x8	U0  x12		

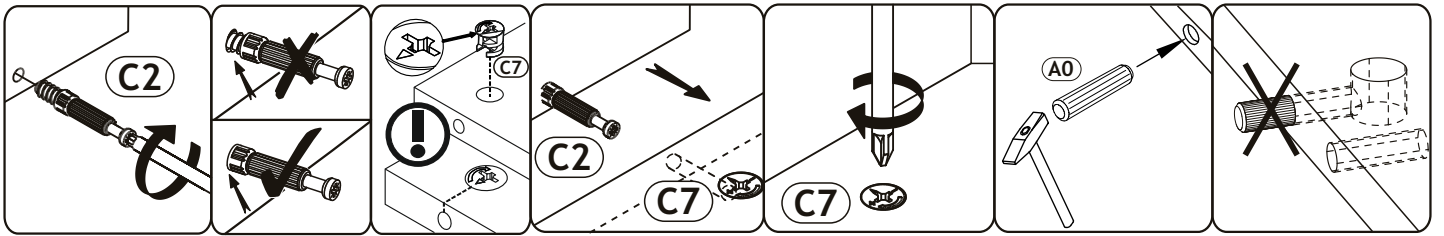


1	689	364	16	x1	2/3
2	689	364	16	x1	2/3
3	689	364	16	x1	2/3
4	689	364	16	x1	2/3
5	1950	364	16	x1	1/3
6	1950	364	16	x1	1/3
7	699	732	2,8	x1	2/3
8	699	732	2,8	x1	2/3

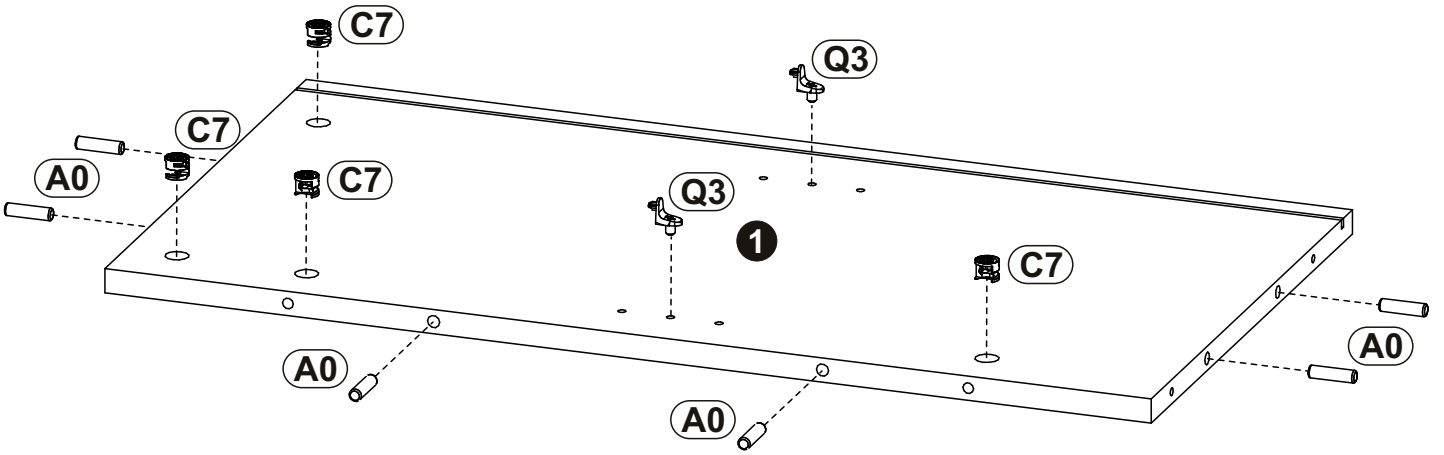
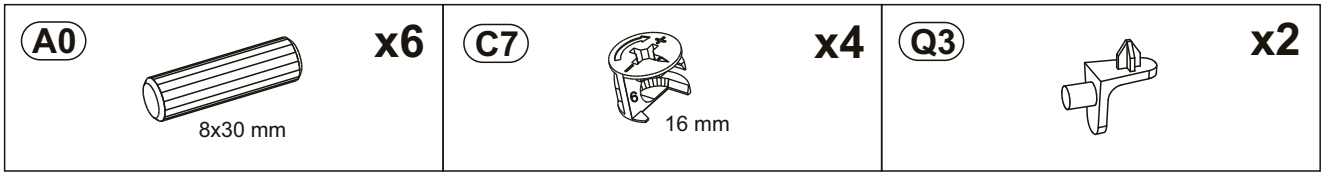
9	699	450	2,8	x1	2/3
10	1950	80	16	x2	1/3
11	563	80	16	x2	1/3
12	1948	125	16	x1	1/3
13	125	30	30	x3	2/3
14	1950	380	16	x1	1/3
15	557	330	16	x1	3/3
16	557	330	16	x1	3/3

17	557	330	16	x1	3/3
18	557	330	16	x1	3/3
19	452	137	16	x4	3/3
20	383	108	16	x4	2/3
21	300	110	16	x4	2/3
22	300	110	16	x4	2/3
23	393	294	2,8	x4	2/3
24	722	344	16	x2	3/3
					3/3

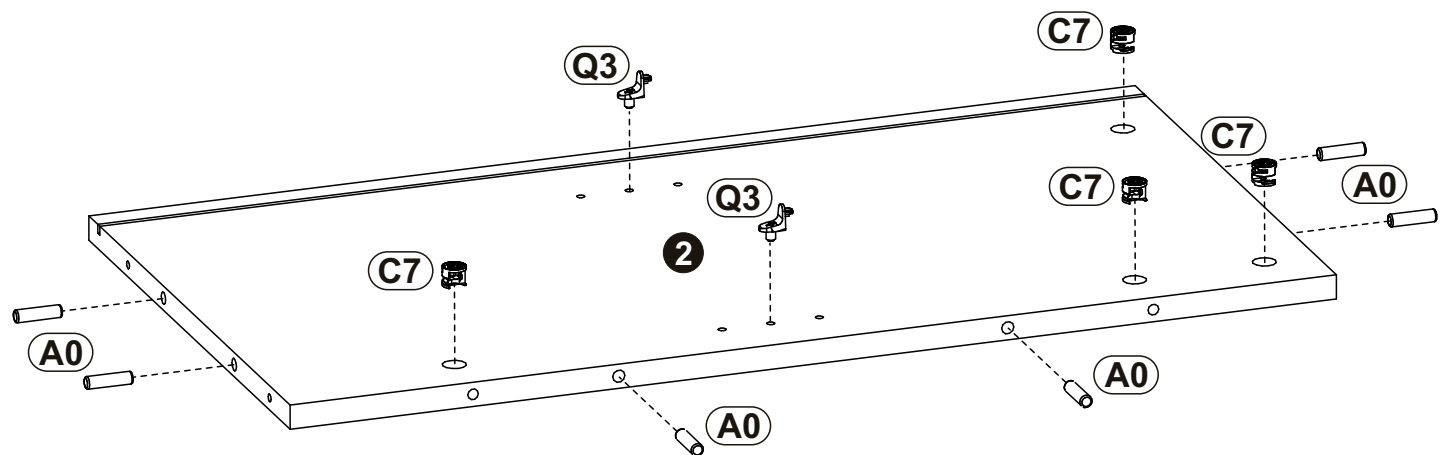
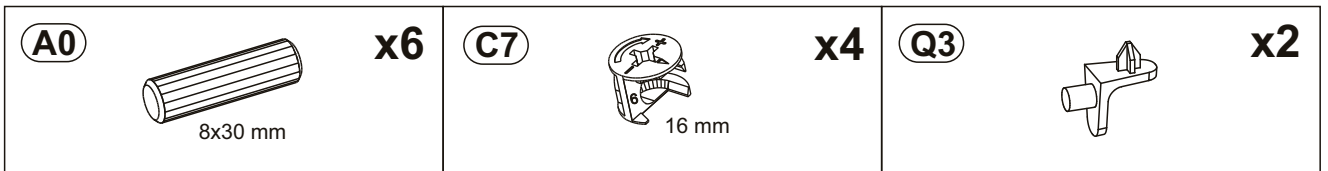







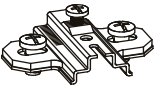
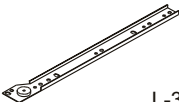
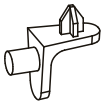
1 ▶

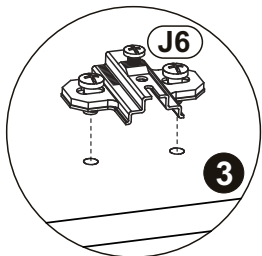
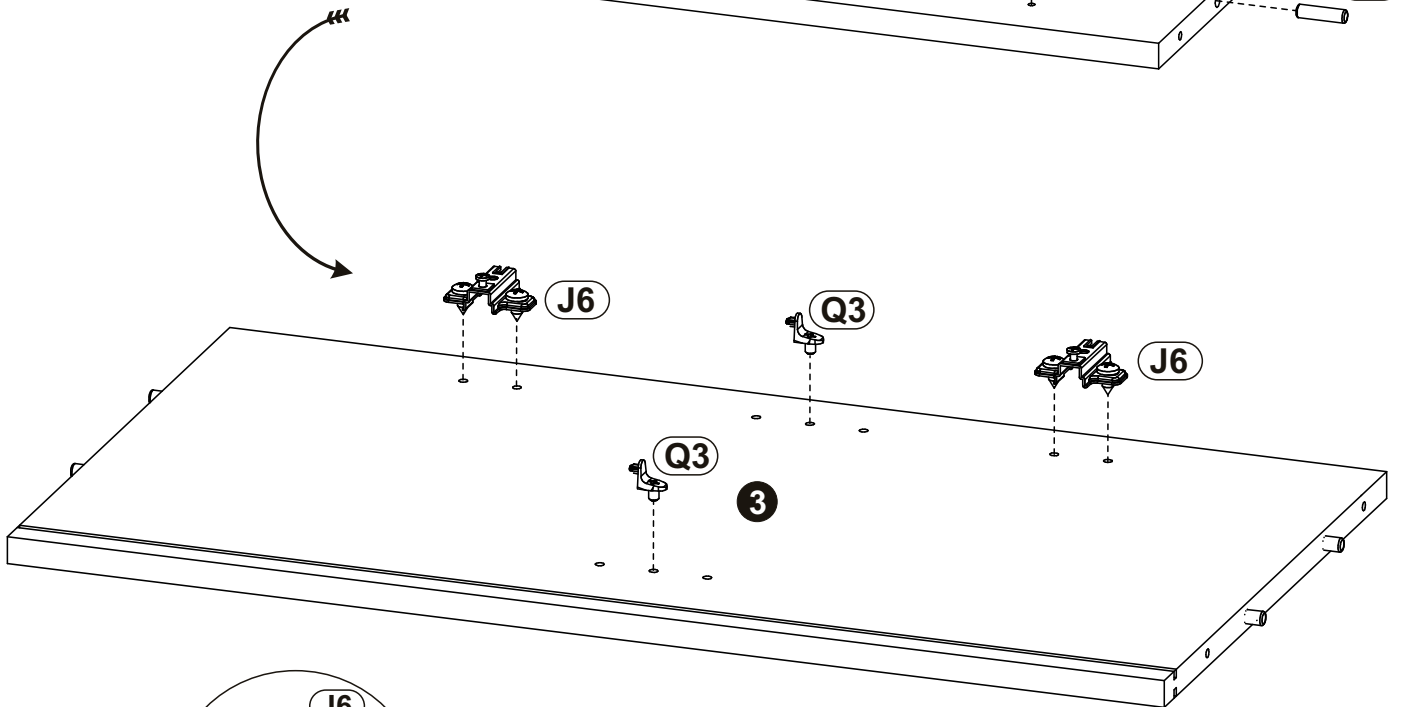
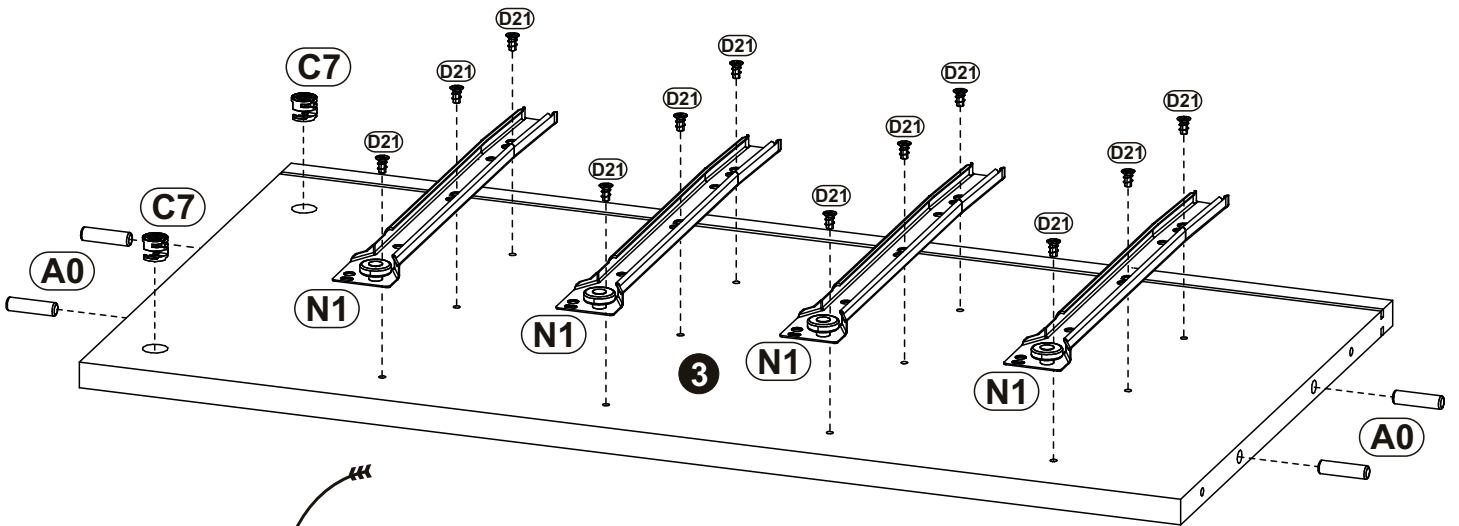
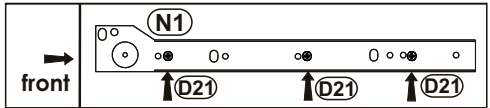


2 ▶




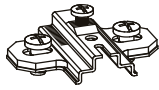
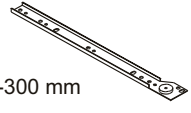
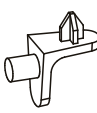


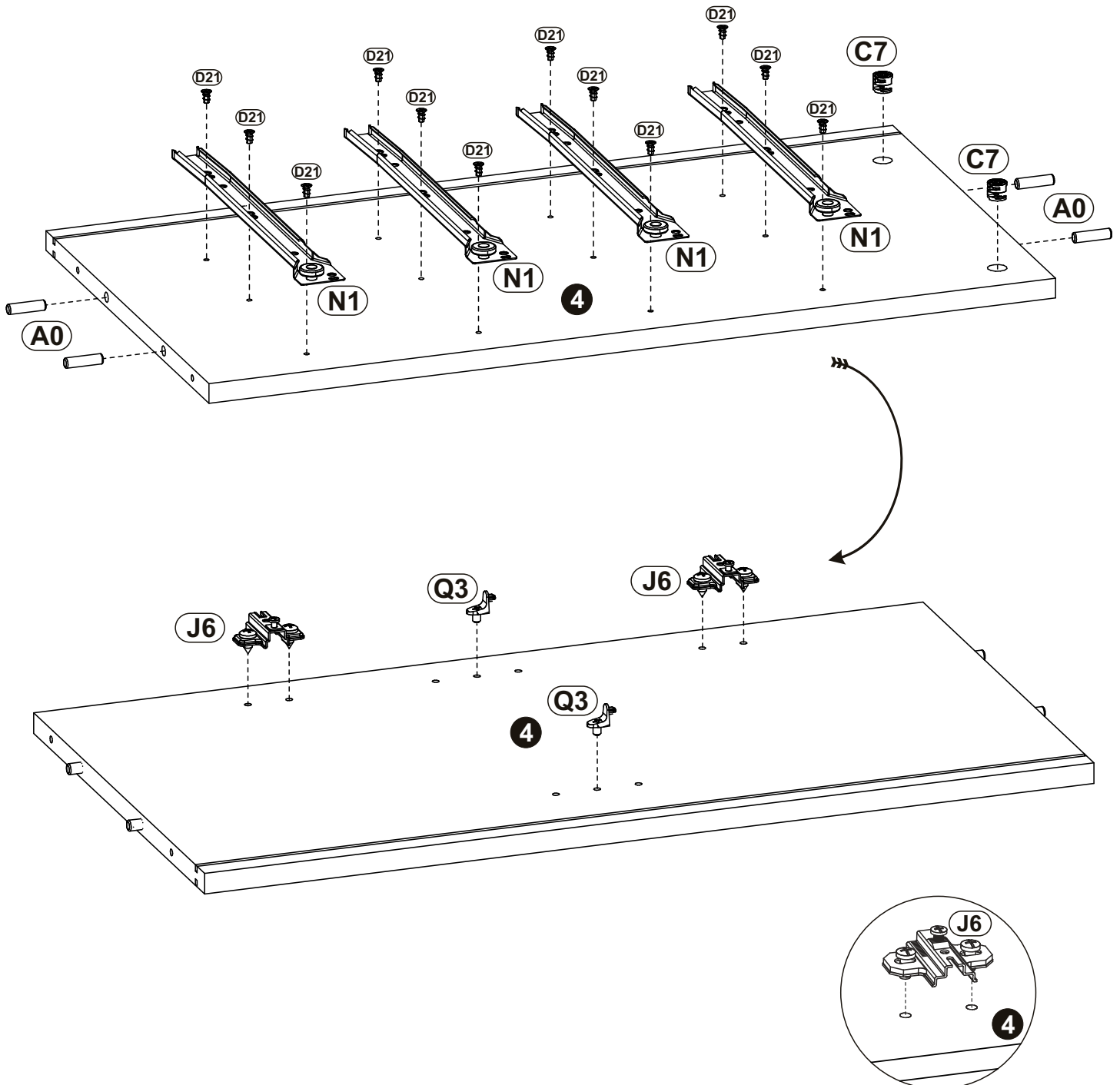
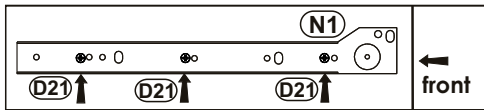
3

A0  8x30 mm x4	C7  16 mm x2	D21  5x13 mm x12
J6  x2	N1  L-300 mm x4	Q3  x2

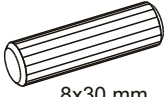
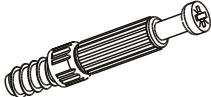


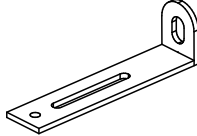
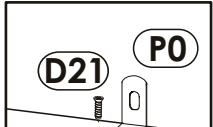


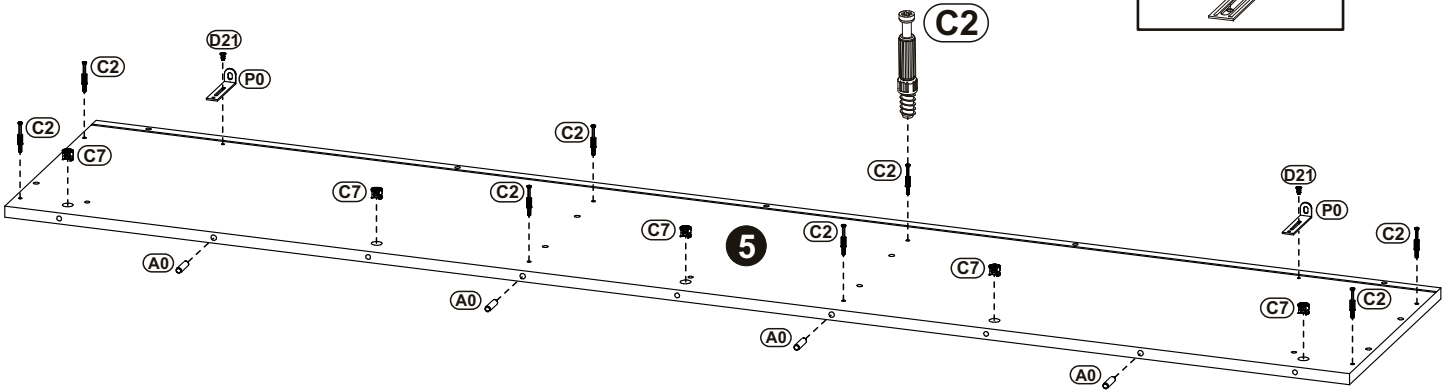
4

A0	 8x30 mm	x4	C7	 16 mm	x2	D21	 5x13 mm	x12
J6		x2	N1	 L-300 mm	x4	Q3		x2

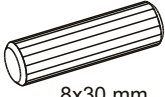



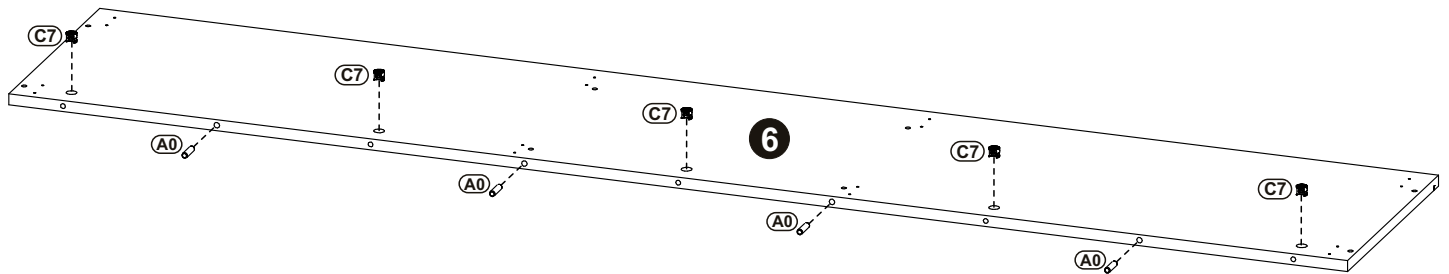
5

<p>A0</p>  <p>8x30 mm</p> <p>x4</p>	<p>C2</p>  <p>x8</p>	<p>C7</p>  <p>16 mm</p> <p>x5</p>
<p>D21</p>  <p>5x13 mm</p> <p>x2</p>	<p>P0</p>  <p>x2</p>	

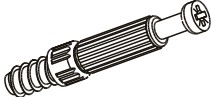


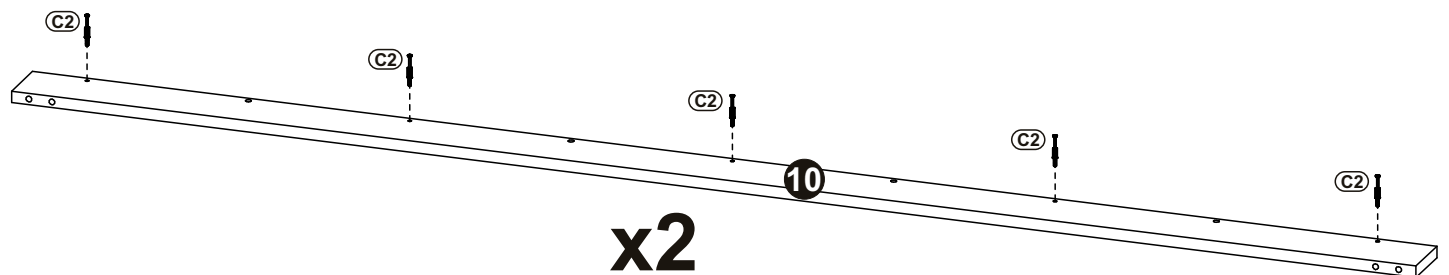
6

<p>A0</p>  <p>8x30 mm</p> <p>x4</p>	<p>C7</p>  <p>16 mm</p> <p>x5</p>
---	---

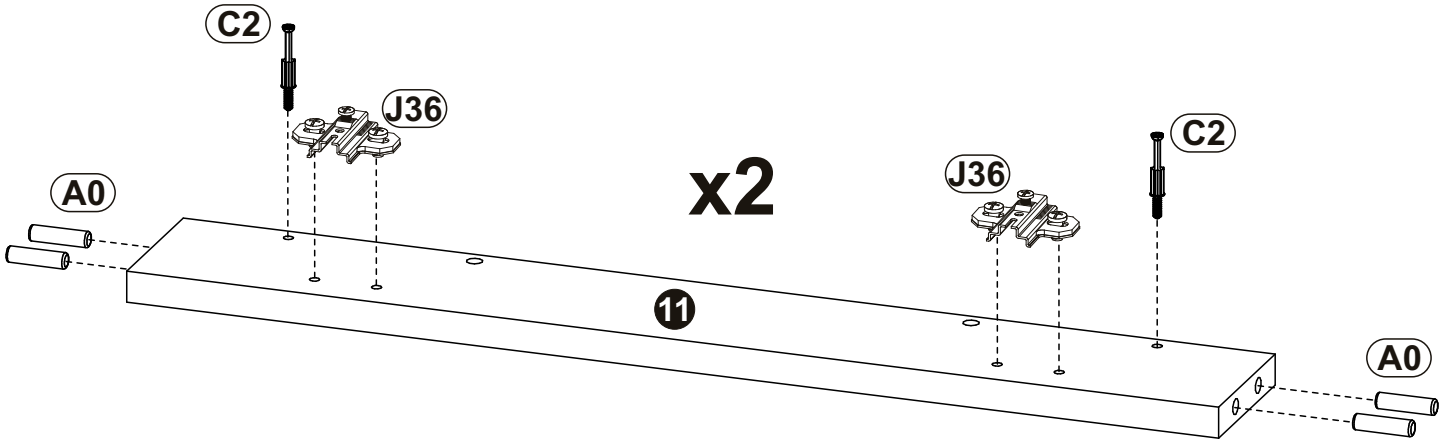
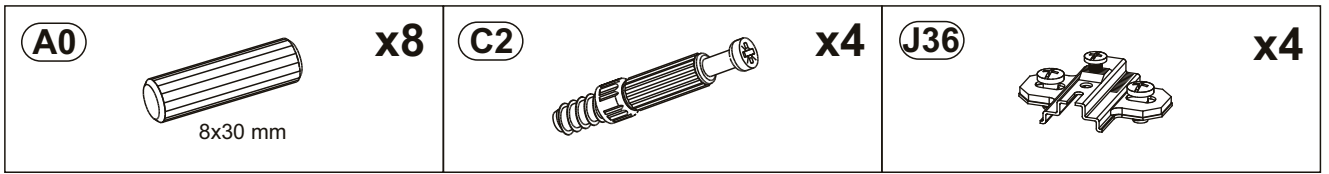


7

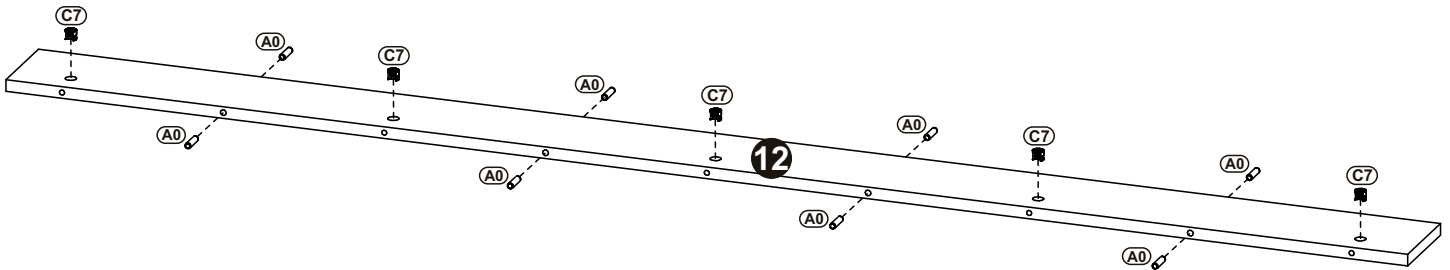
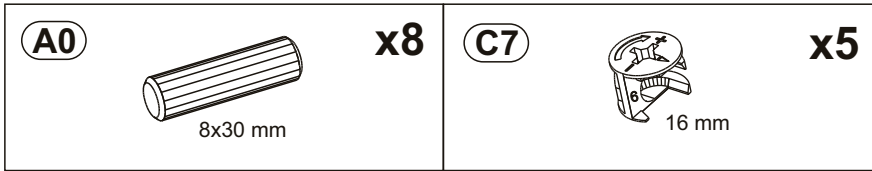
<p>C2</p>  <p>x10</p>
--



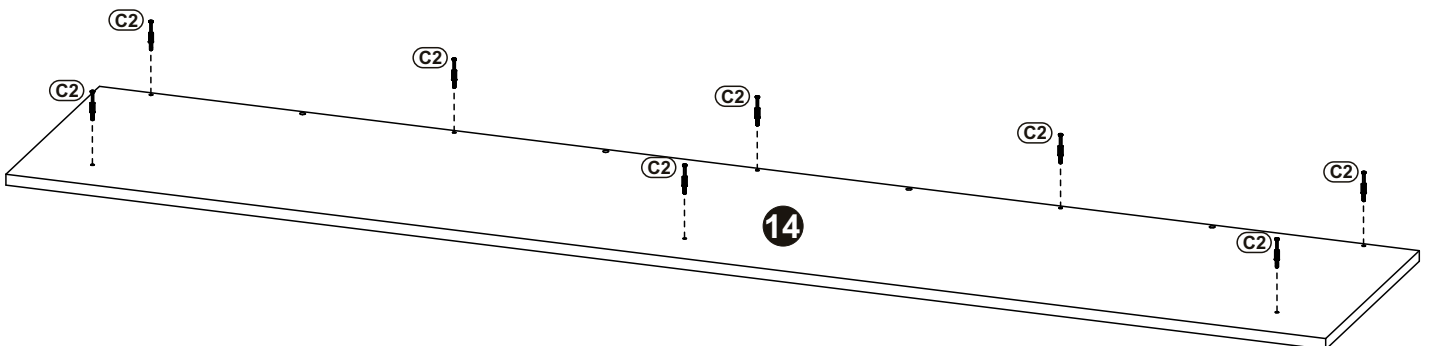
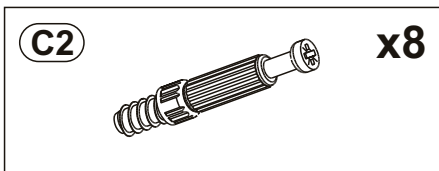
8 ▶





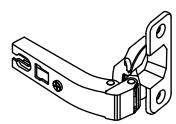

9 ▶

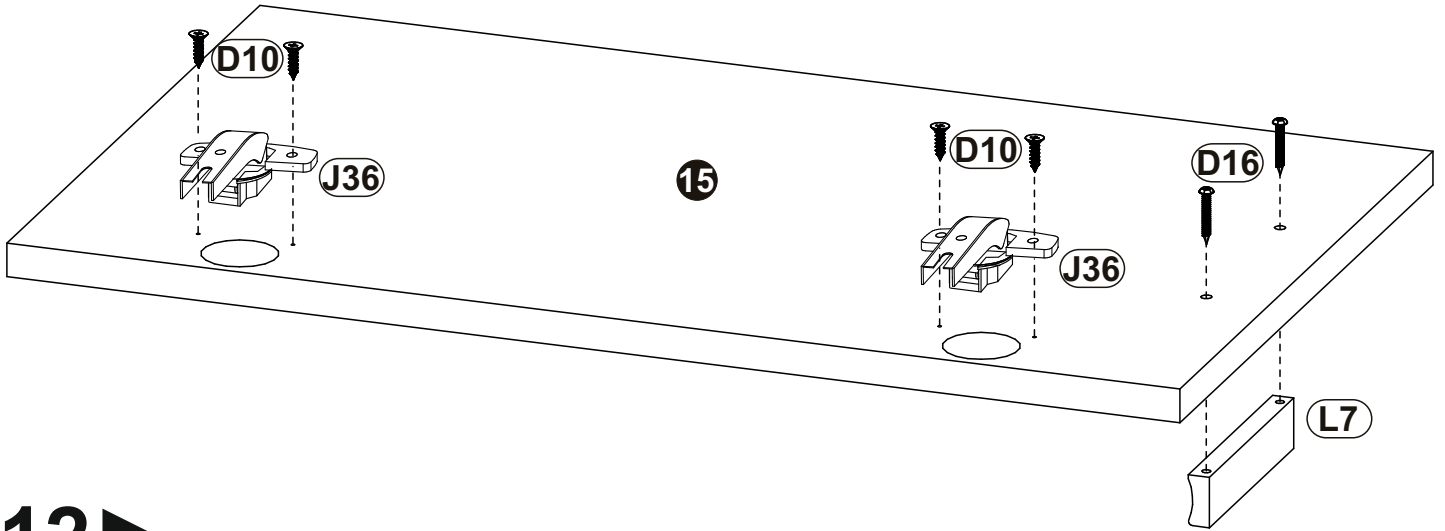


10 ▶



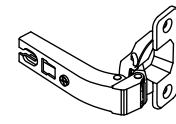



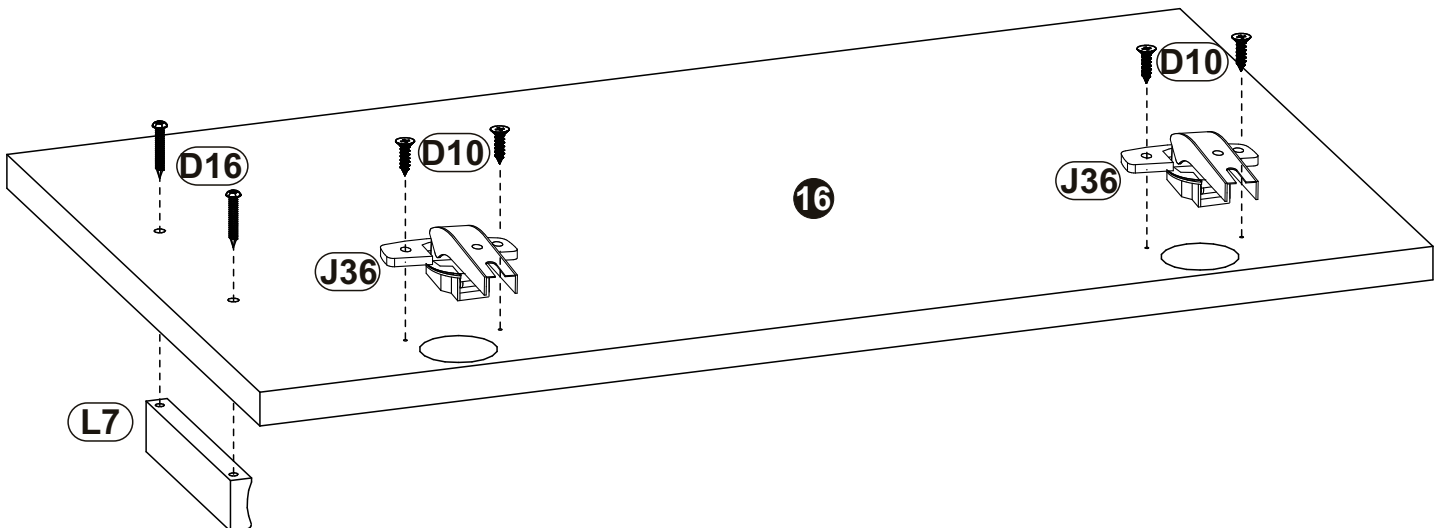
11 ▶

D10  4x16 mm x4	D16  4x30 mm x2	J36  x2
L7  L-110 mm x1		







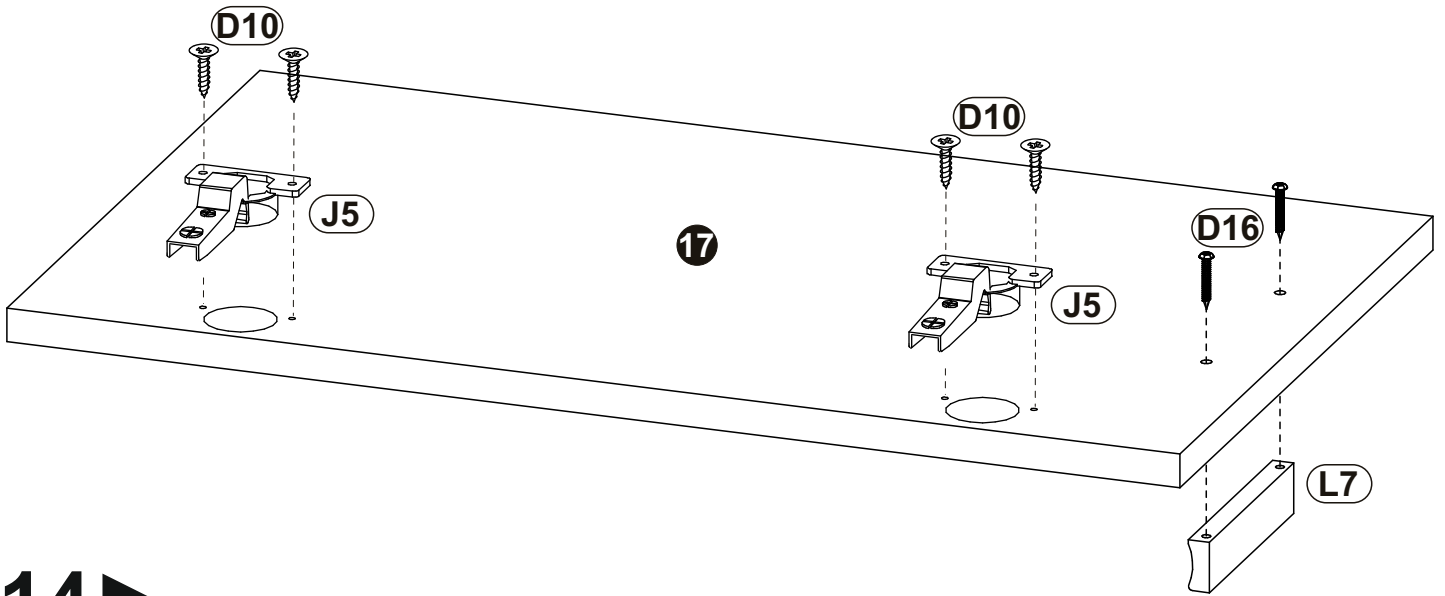
12 ▶

D10  4x16 mm x4	D16  4x30 mm x2	J36  x2
L7  L-110 mm x1		







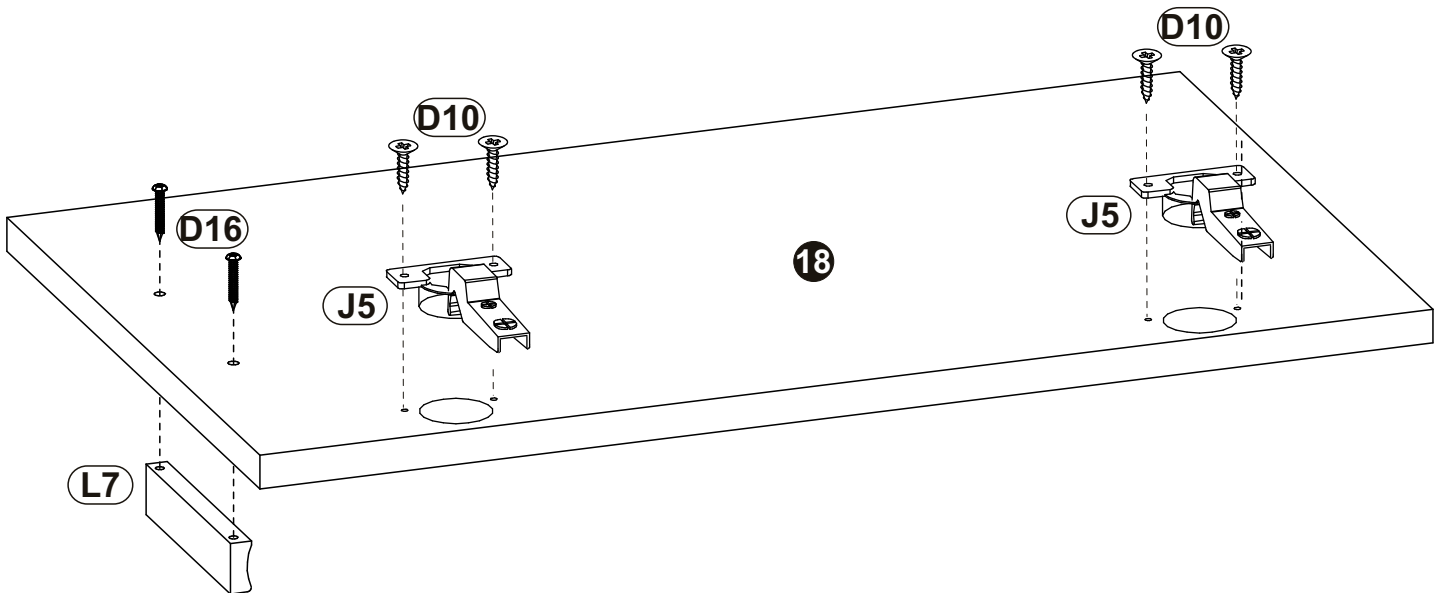
13 ▶

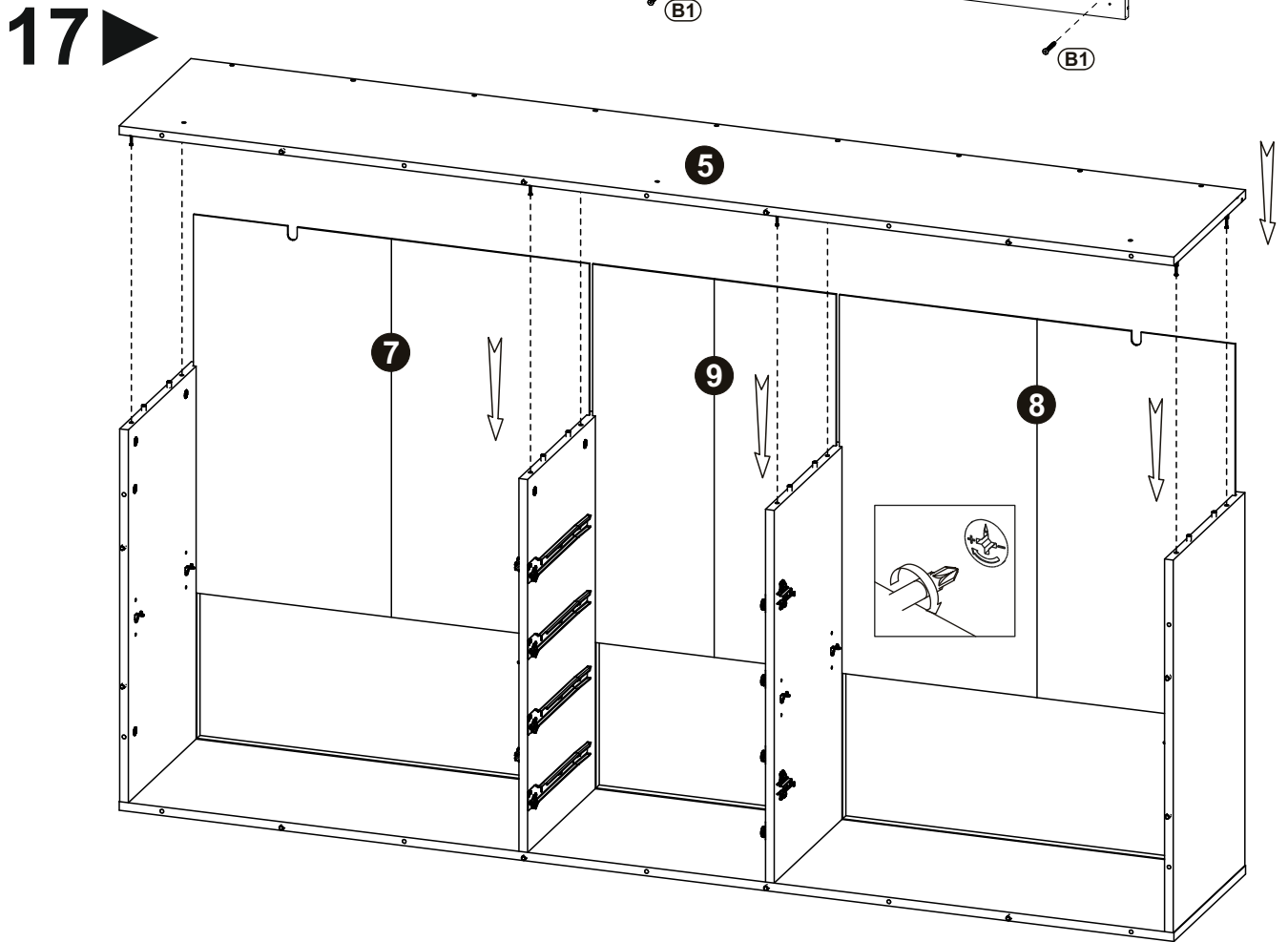
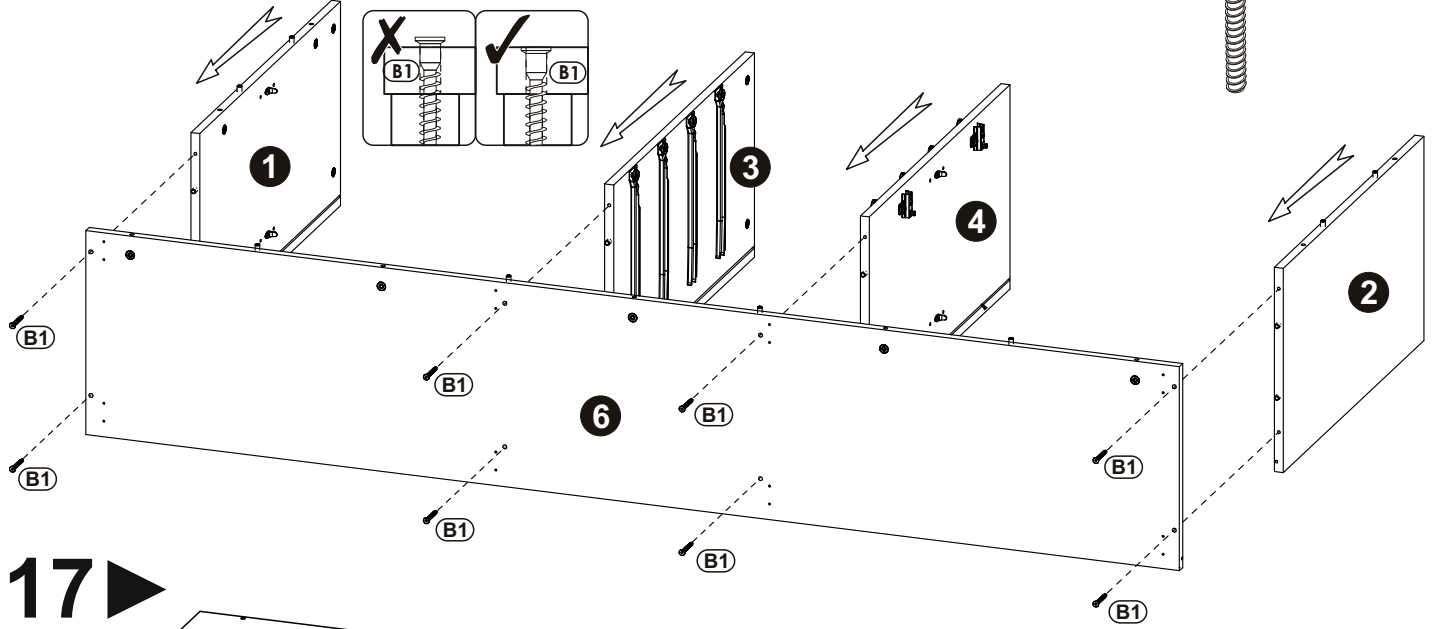
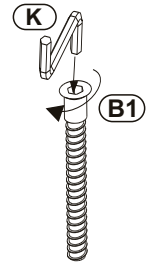
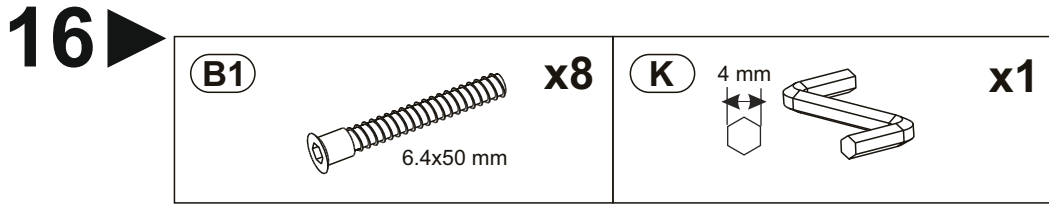
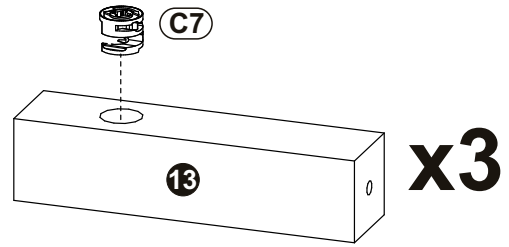
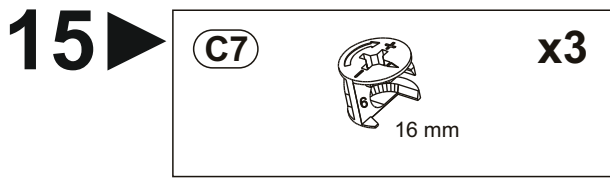
(D10)  4x16 mm x4	(D16)  4x30 mm x2	(J5)  x2
(L7)  L-110 mm x1		

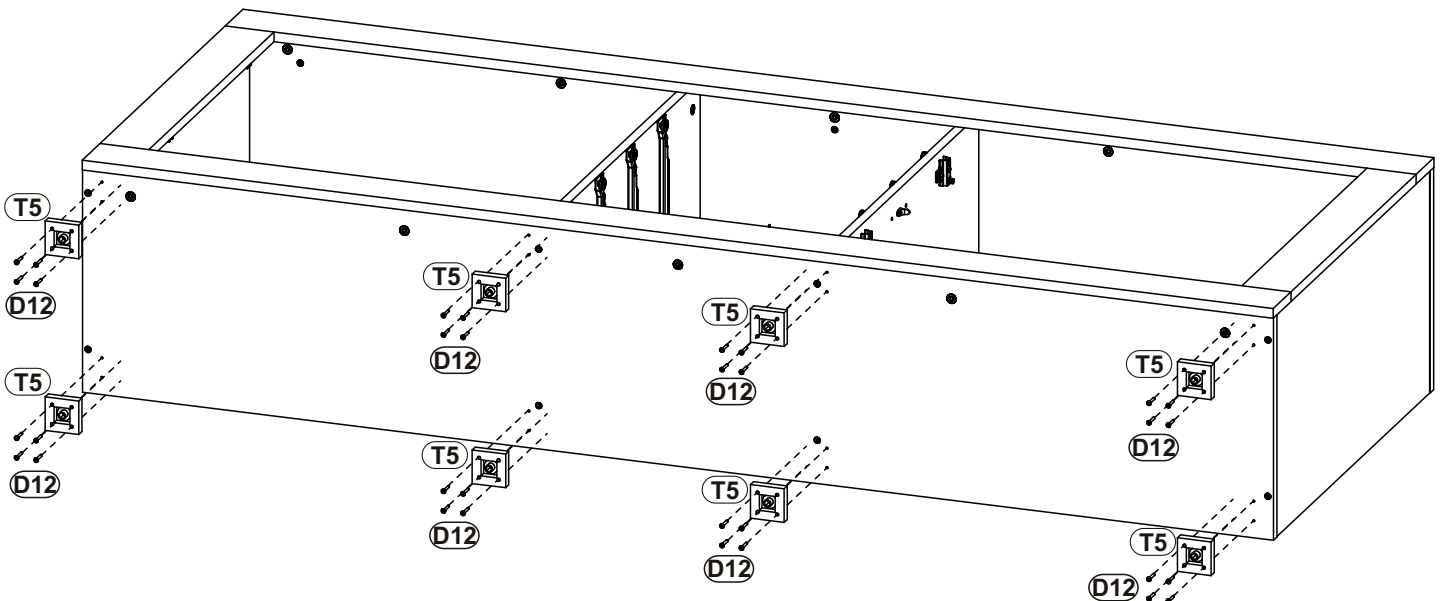
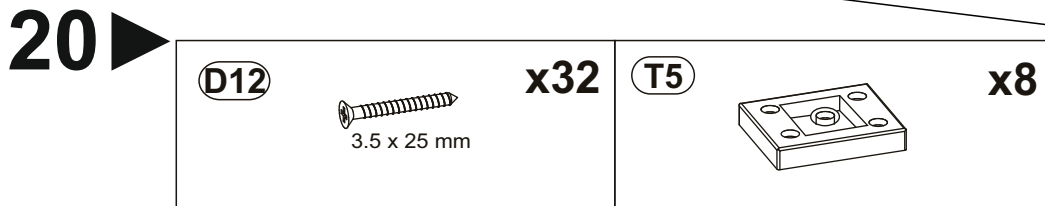
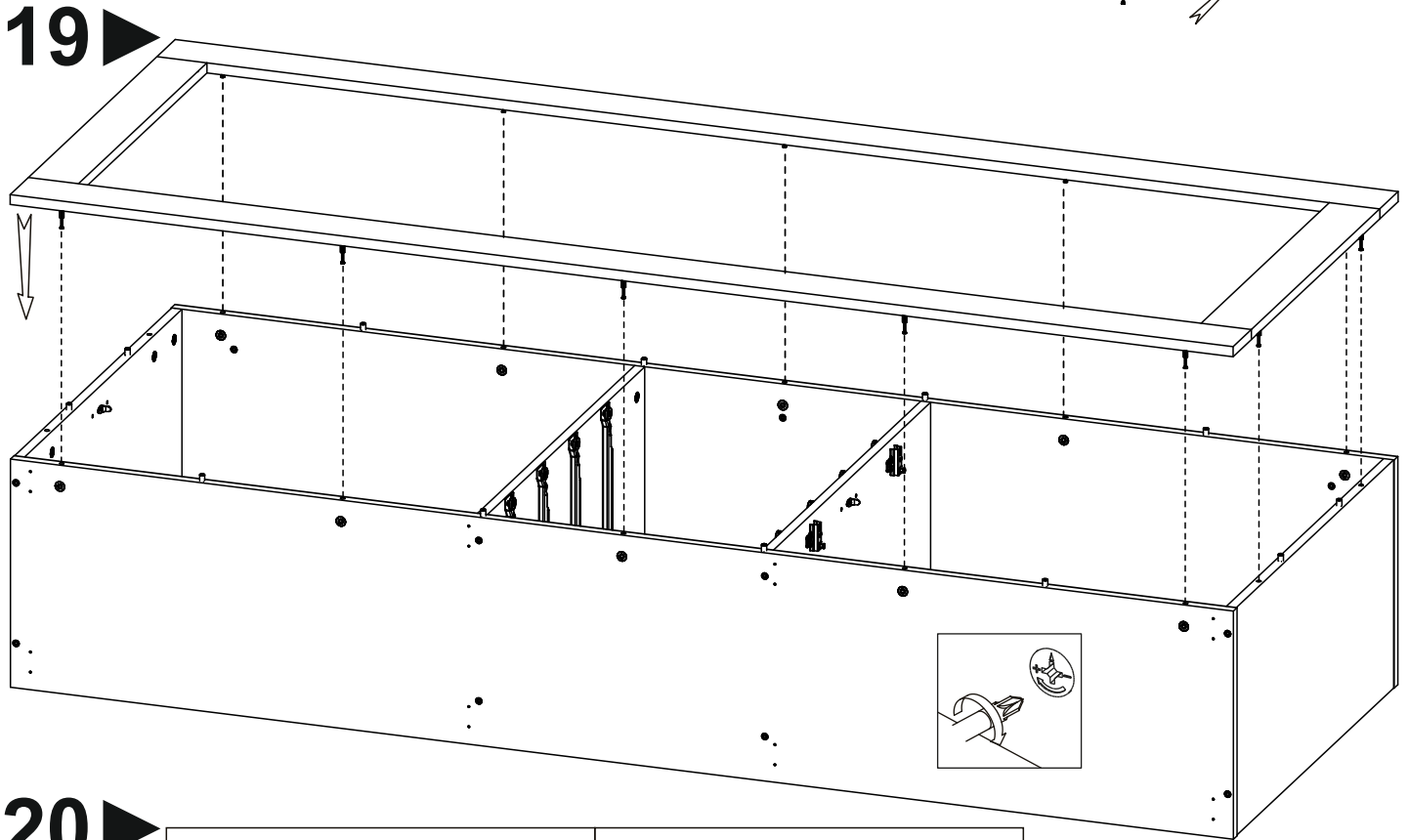
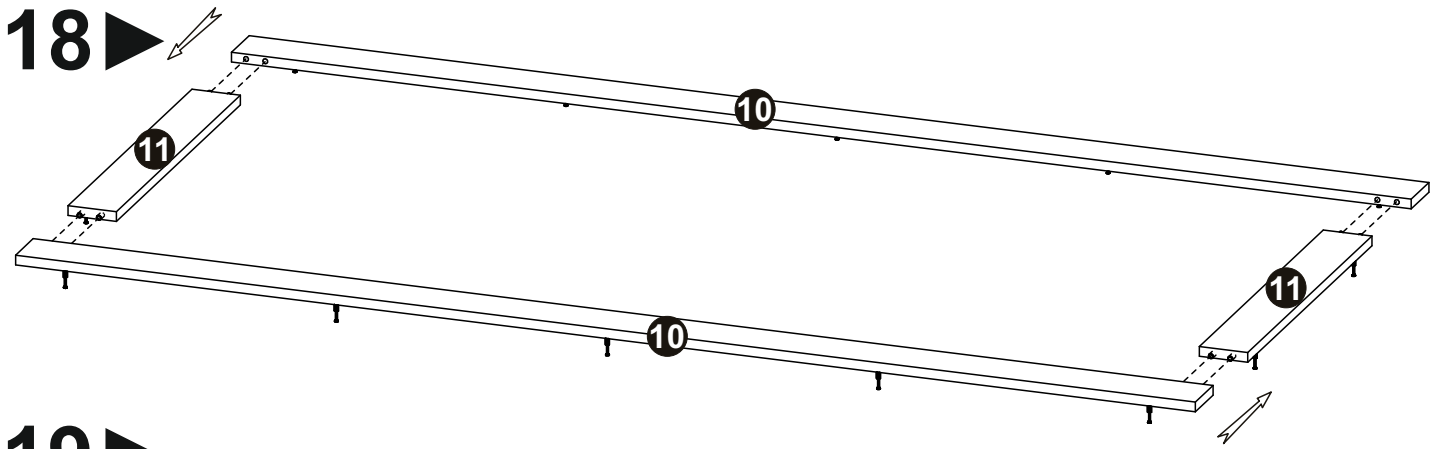


14 ▶



(D10)  4x16 mm x4	(D16)  4x30 mm x2	(J5)  x2
(L7)  L-110 mm x1		

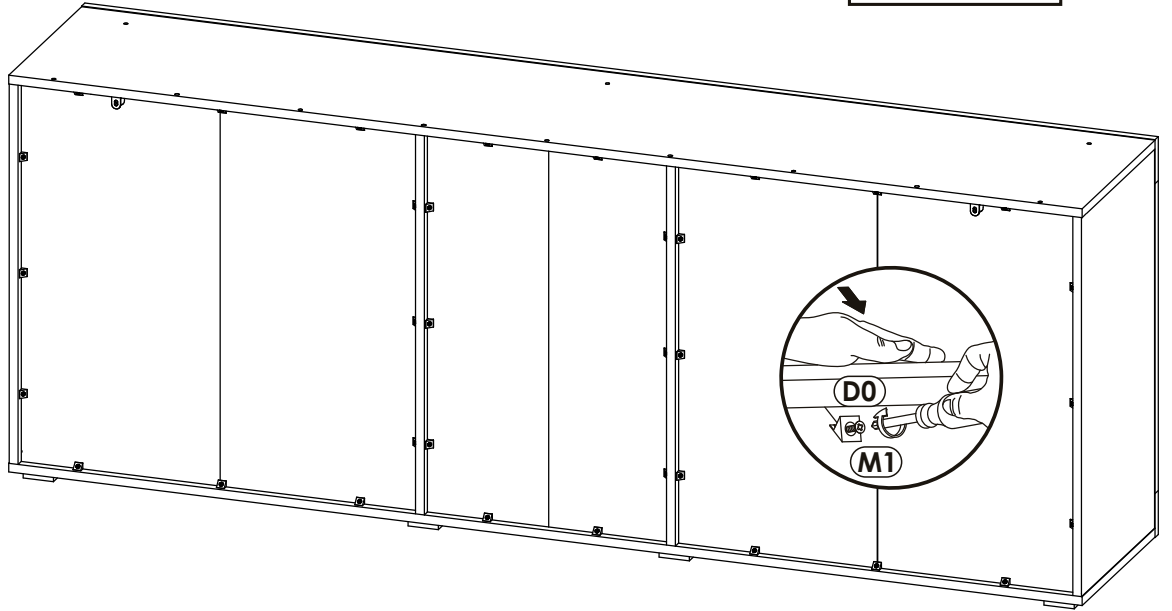
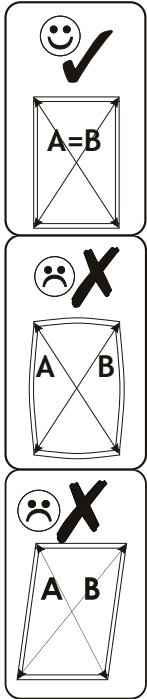
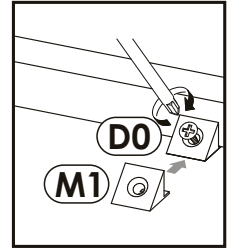




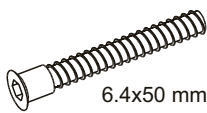
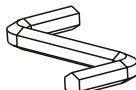


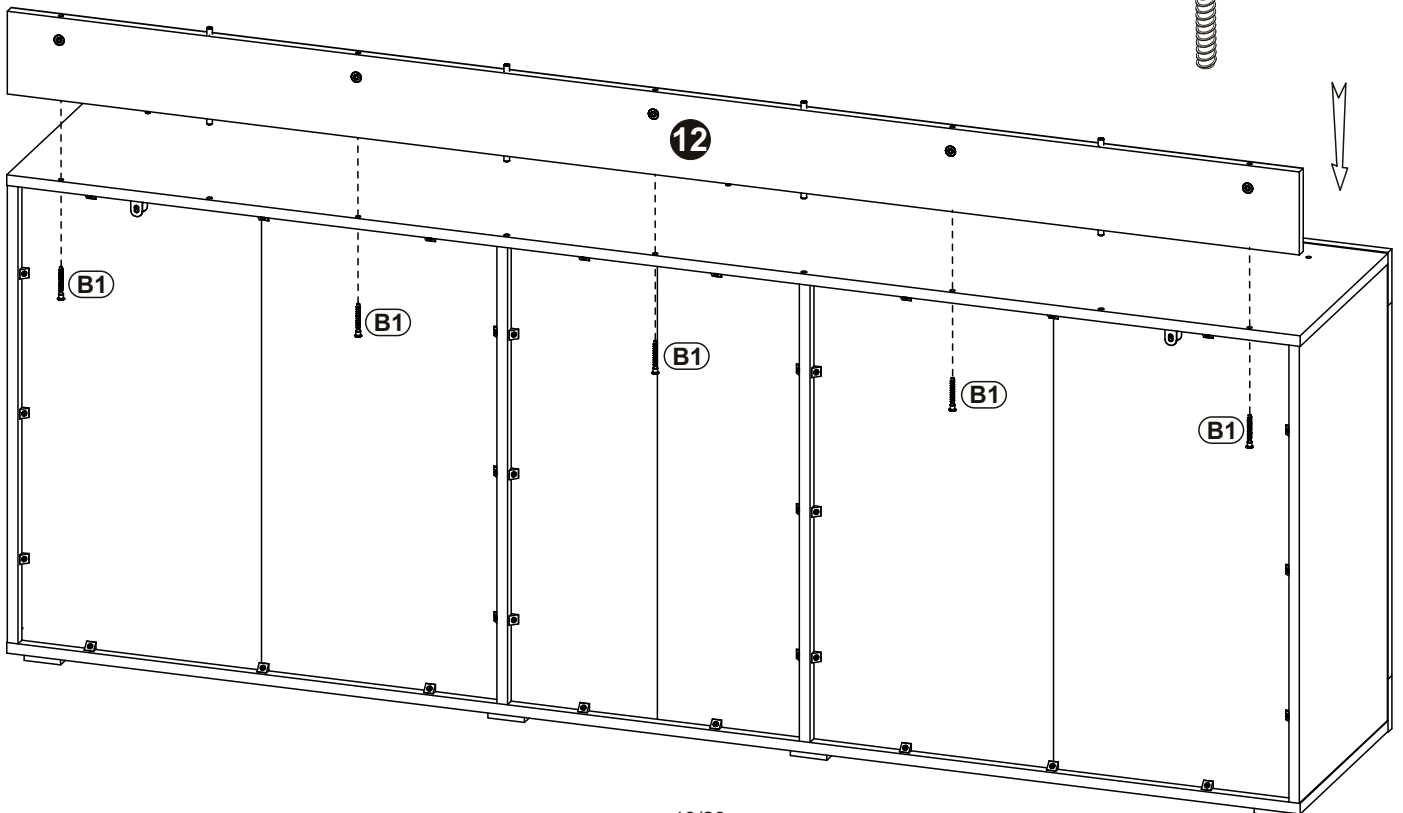
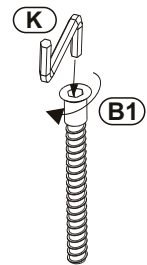
21 ▶

(D0)	 3x15 mm	x34	(M1)		x34
-------------	--	------------	-------------	---	------------

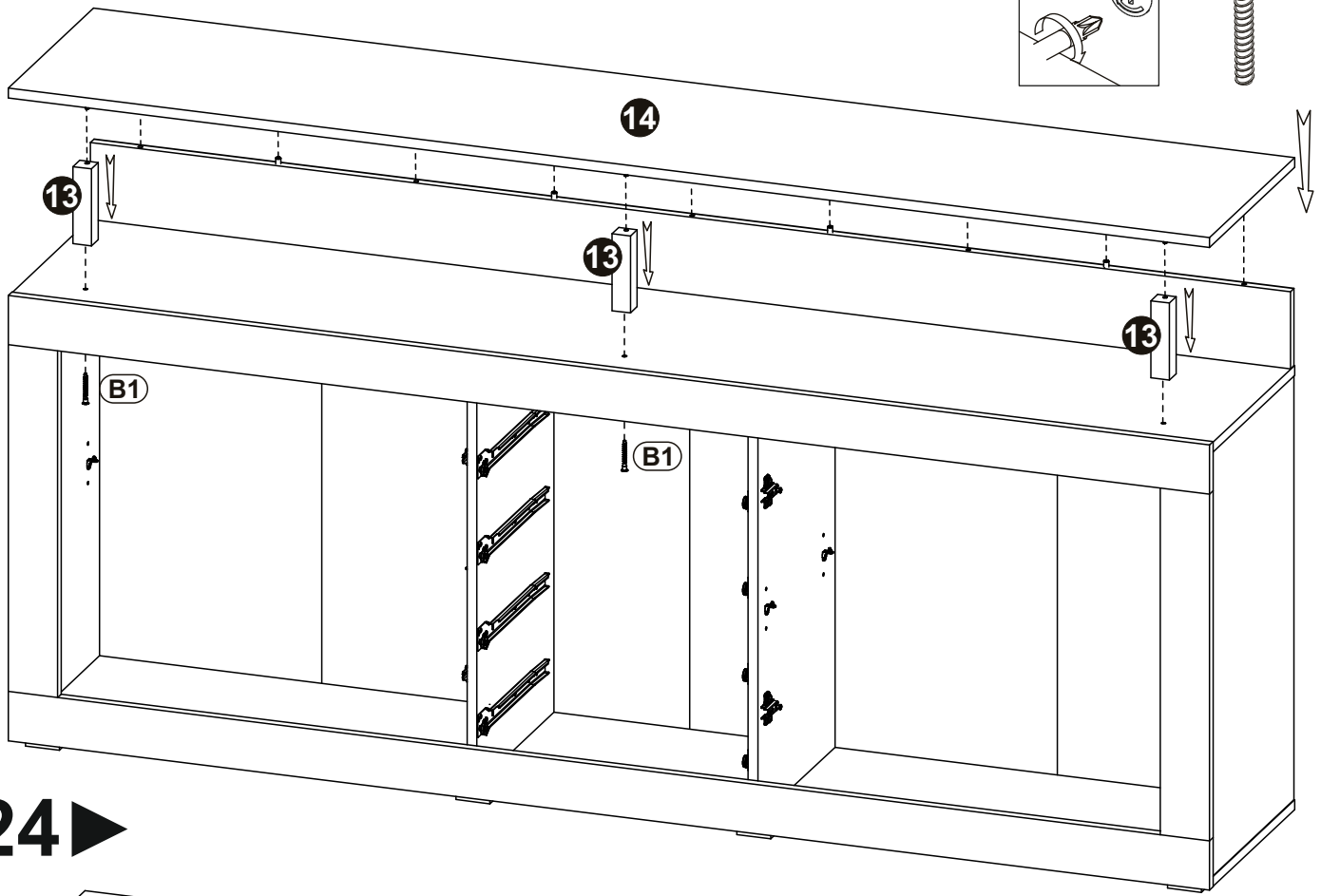
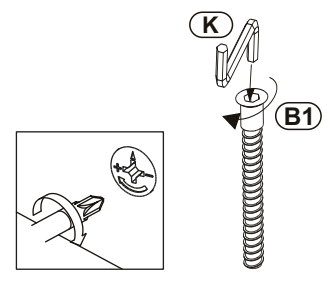
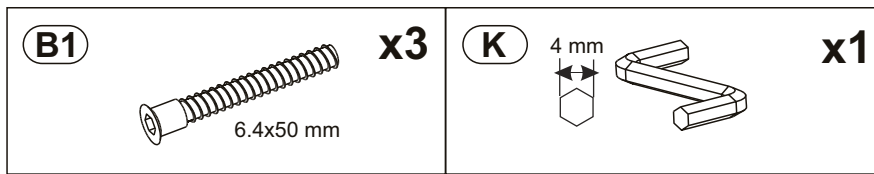


22 ▶

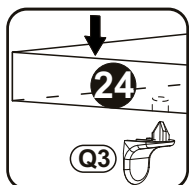
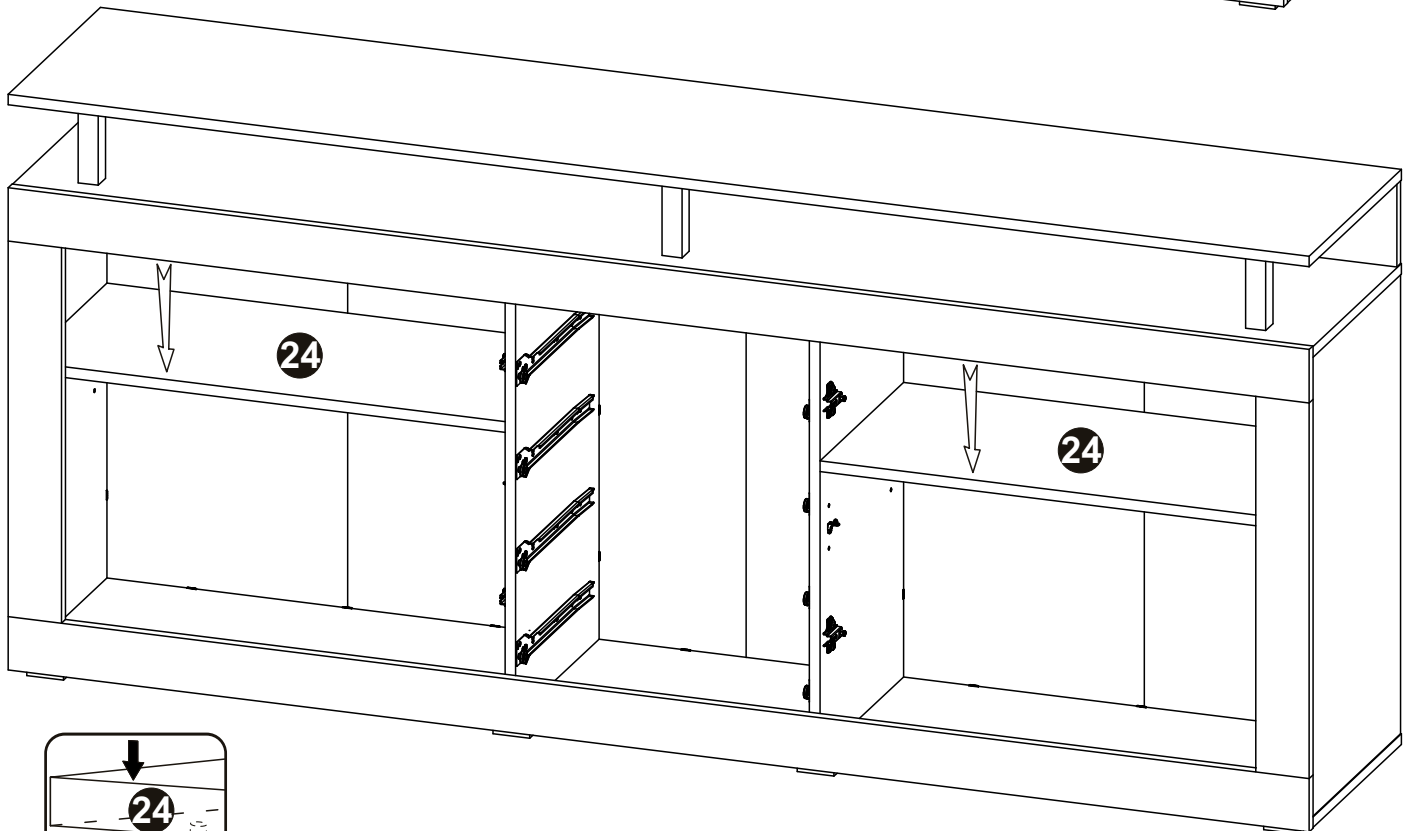
(B1)	 6.4x50 mm	x5	(K)	 4 mm	x1
-------------	--	-----------	------------	---	-----------



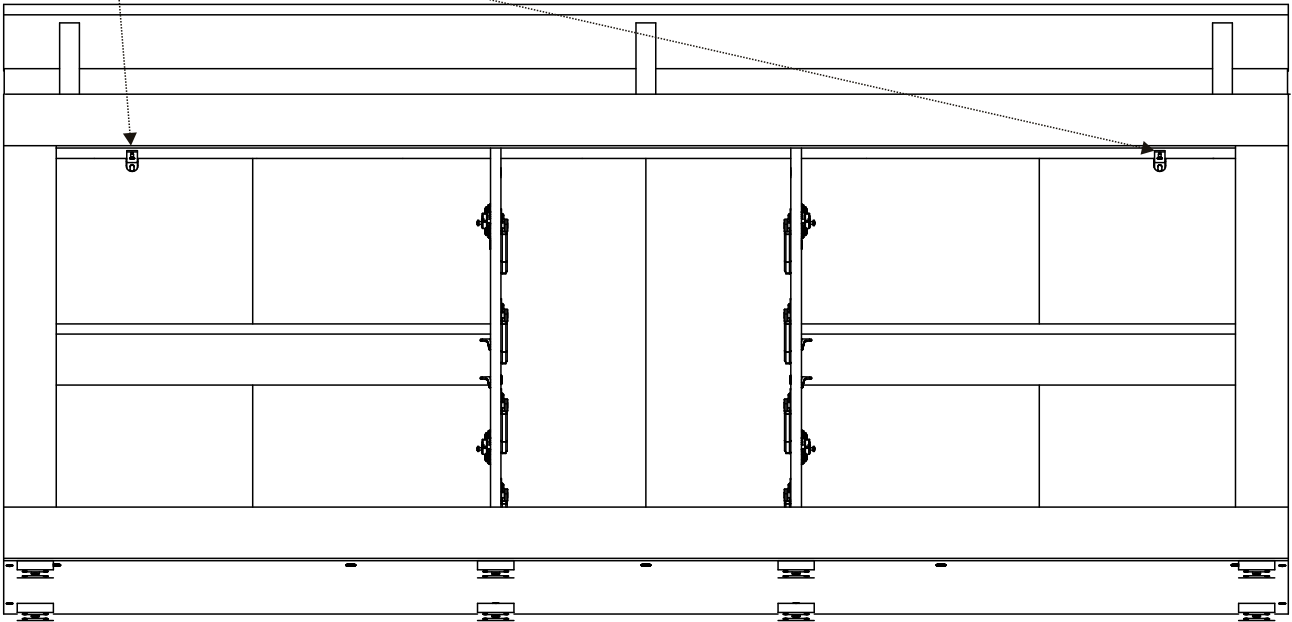
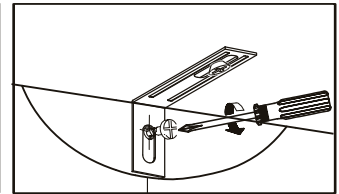
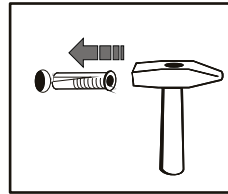
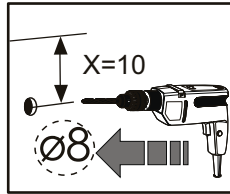
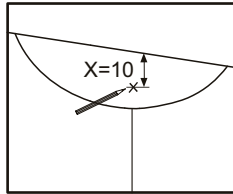
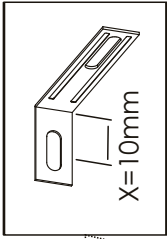
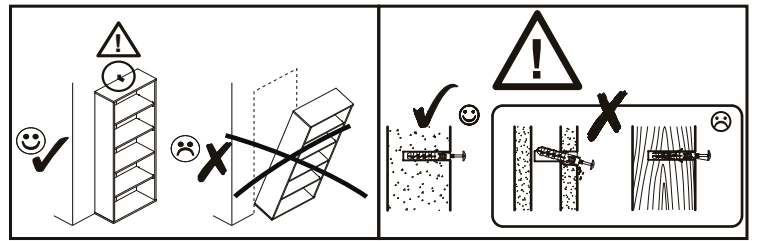
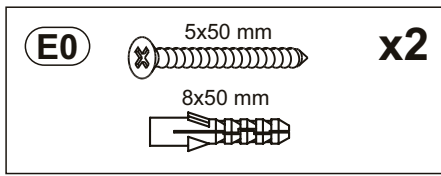
23 ▶



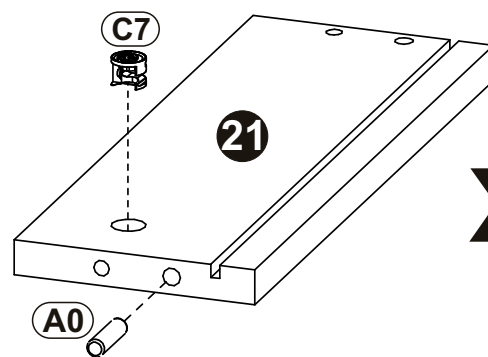
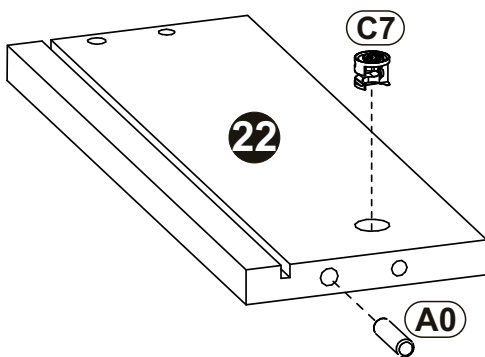
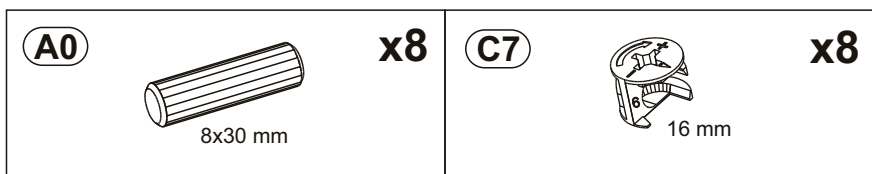
24 ▶



25 ▶

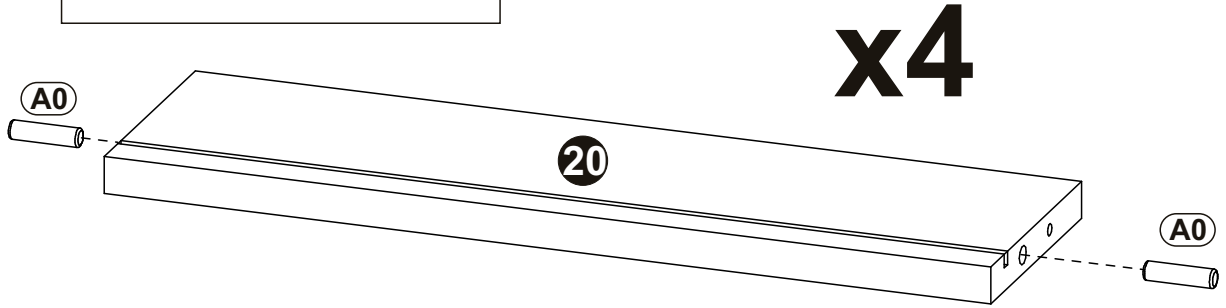
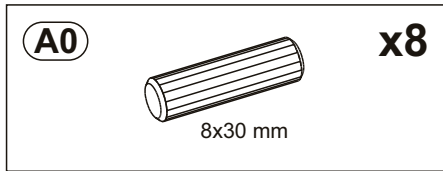


26 ▶

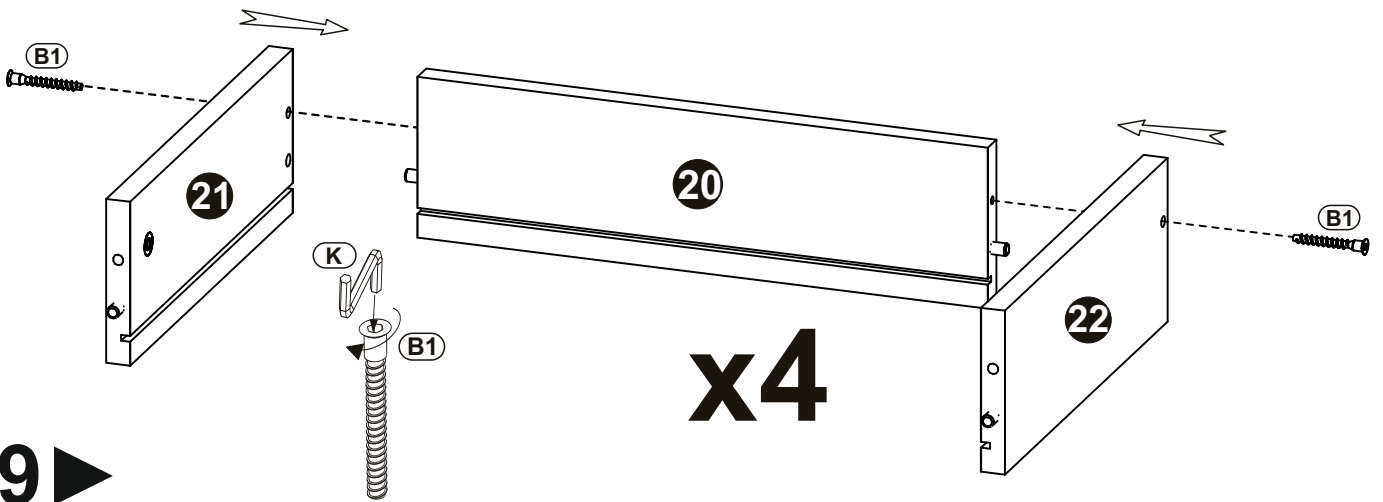
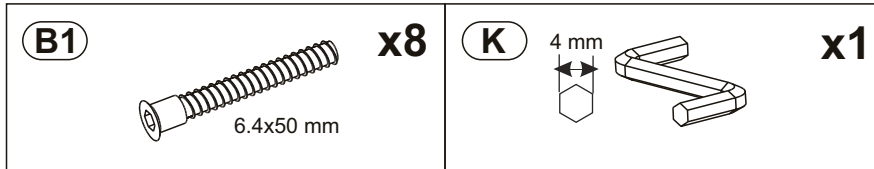


x4

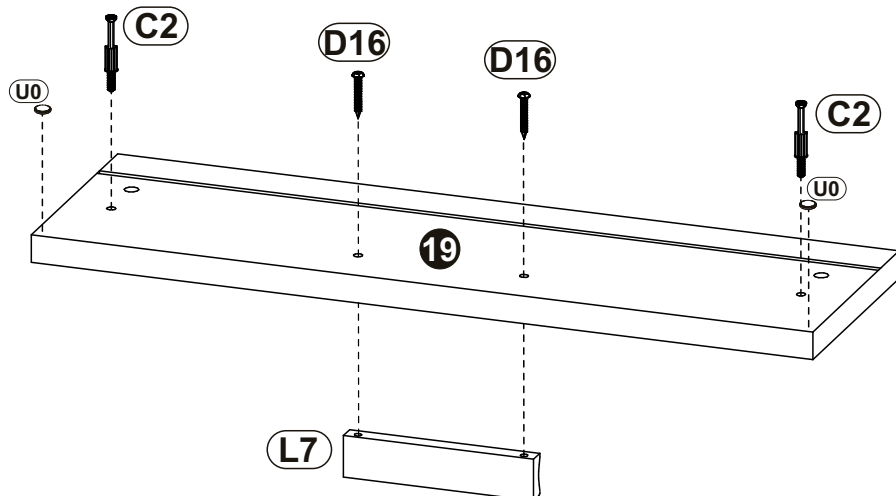
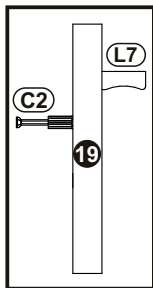
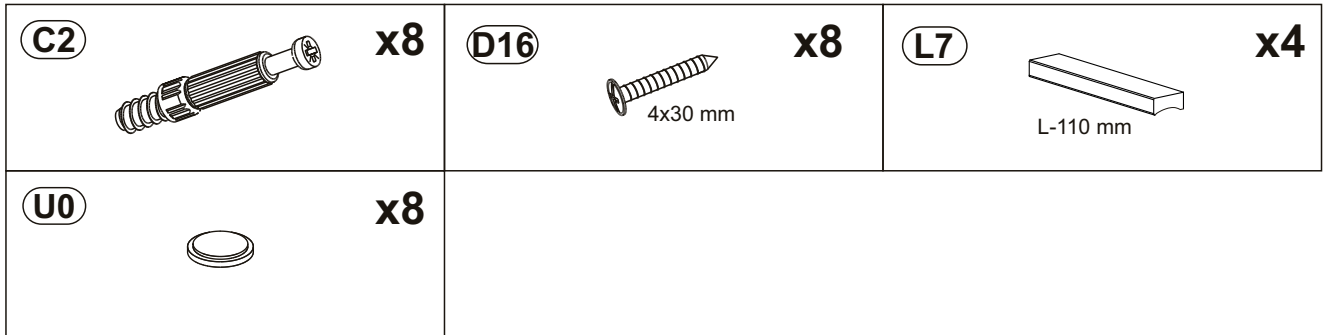
27 ▶



28 ▶

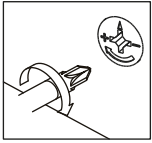
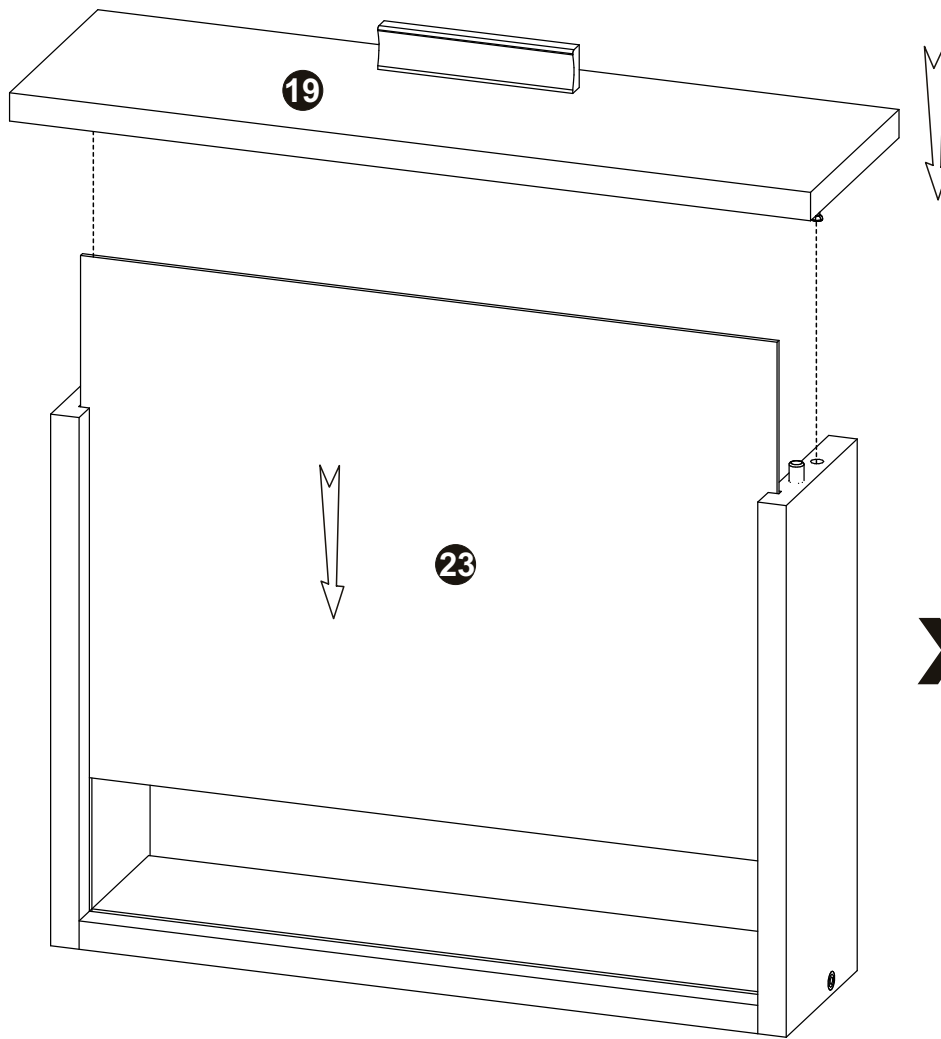


29 ▶



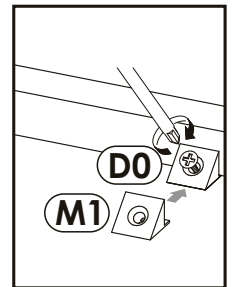
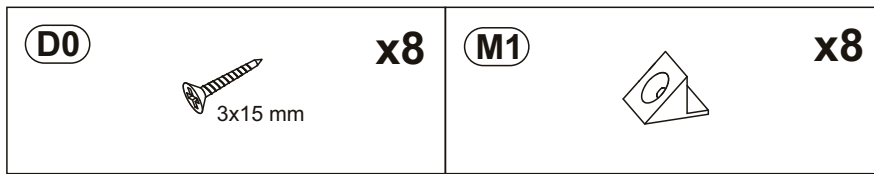
x4

30 ▶

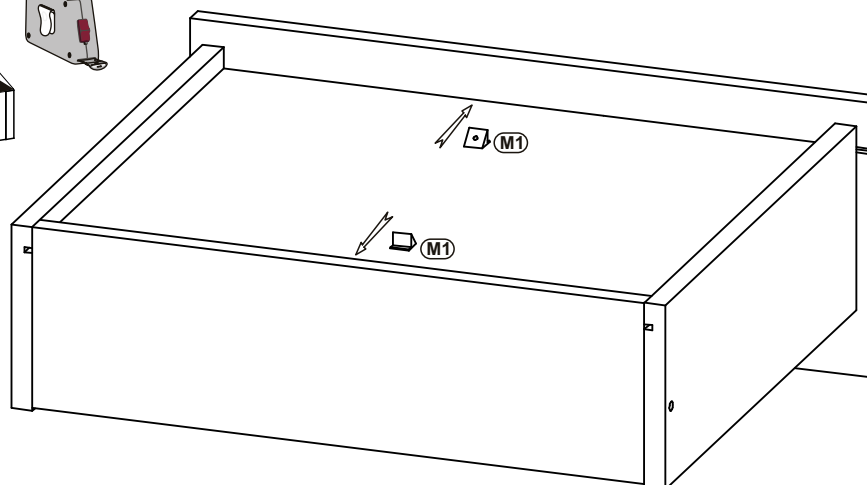
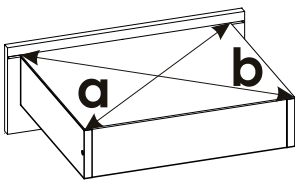


x4

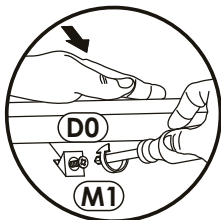
31 ▶




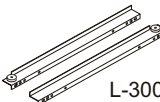
$a=b$

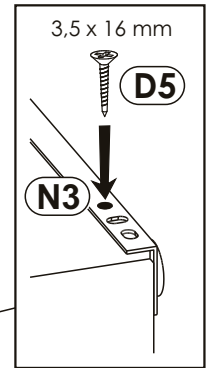
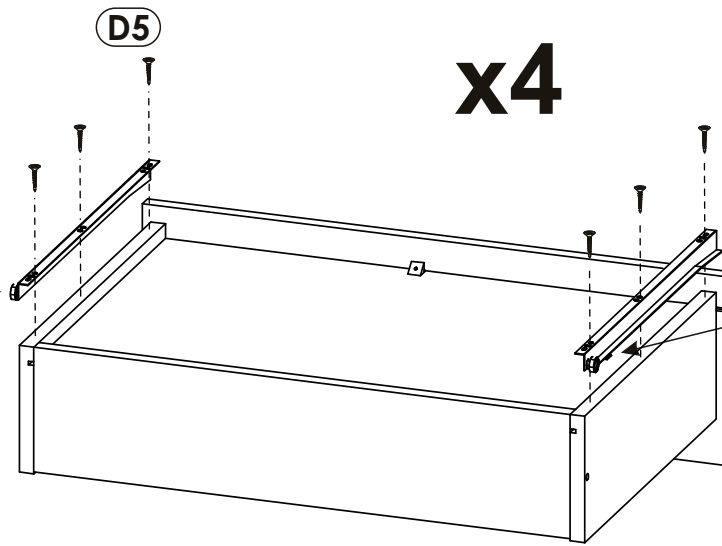
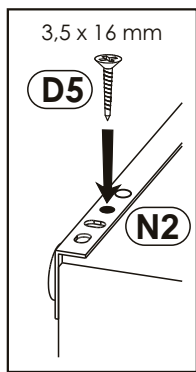


x4





32 ▶

(D5)	 3.5x16 mm	x24	(N1)	 L-300 mm	x4
-------------	---	------------	-------------	--	-----------



33 ▶

(C0)		x11	(U0)		x4
-------------	---	------------	-------------	---	-----------

