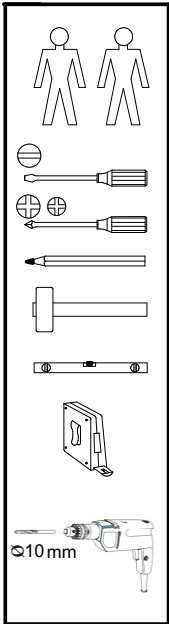
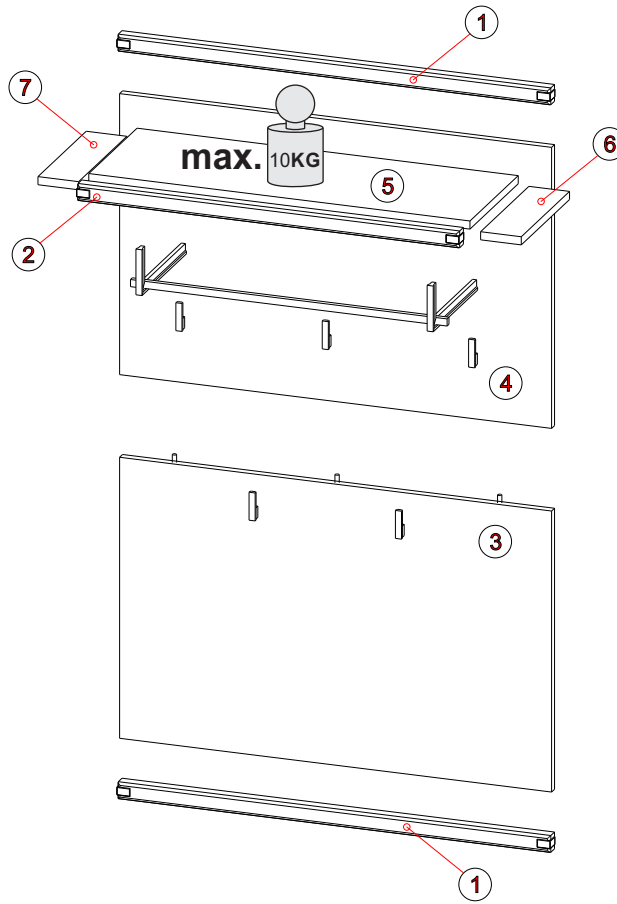
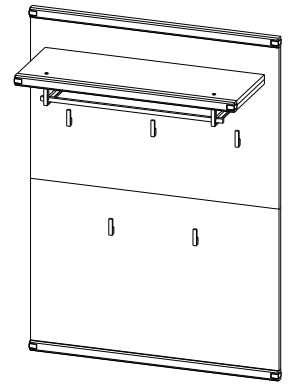
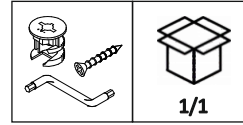
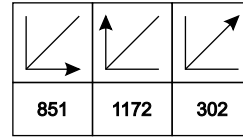


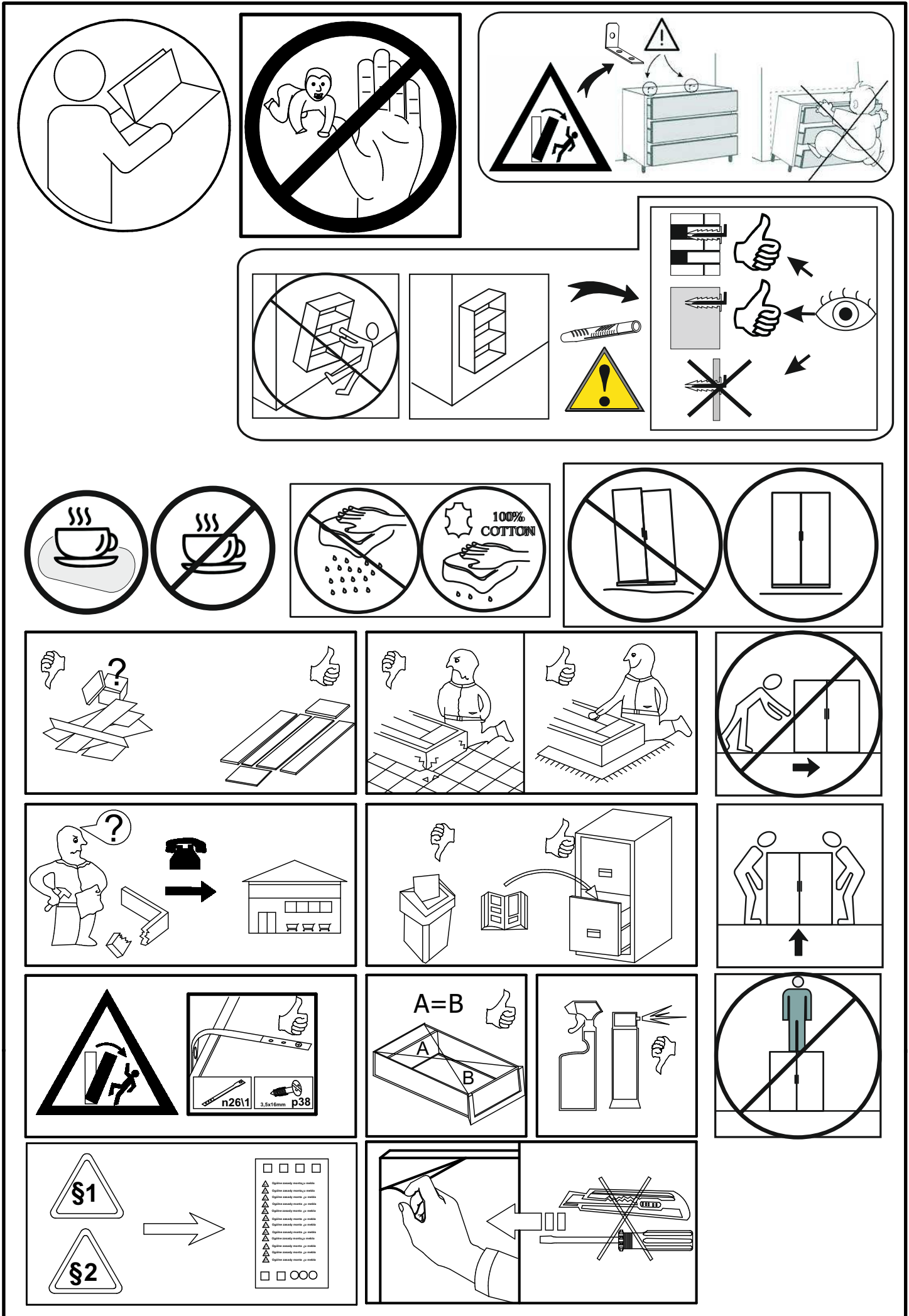
A GENUA

32 15 HH 40

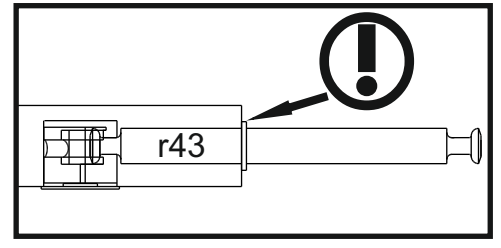
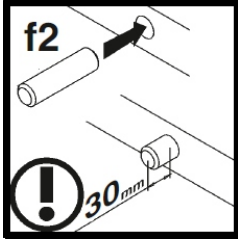
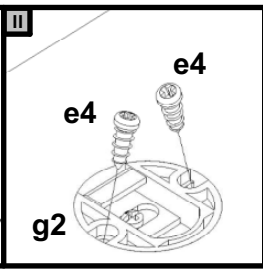
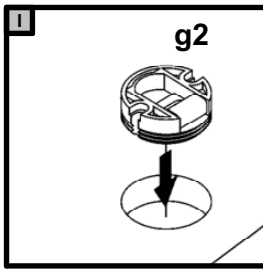
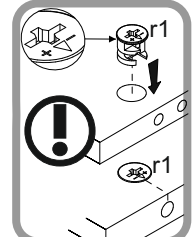
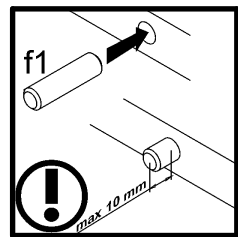
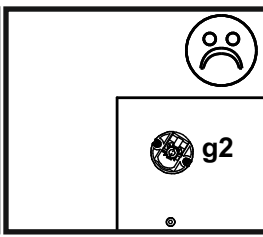
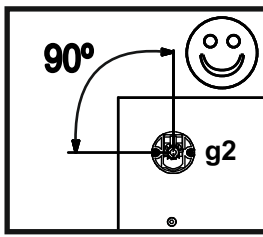
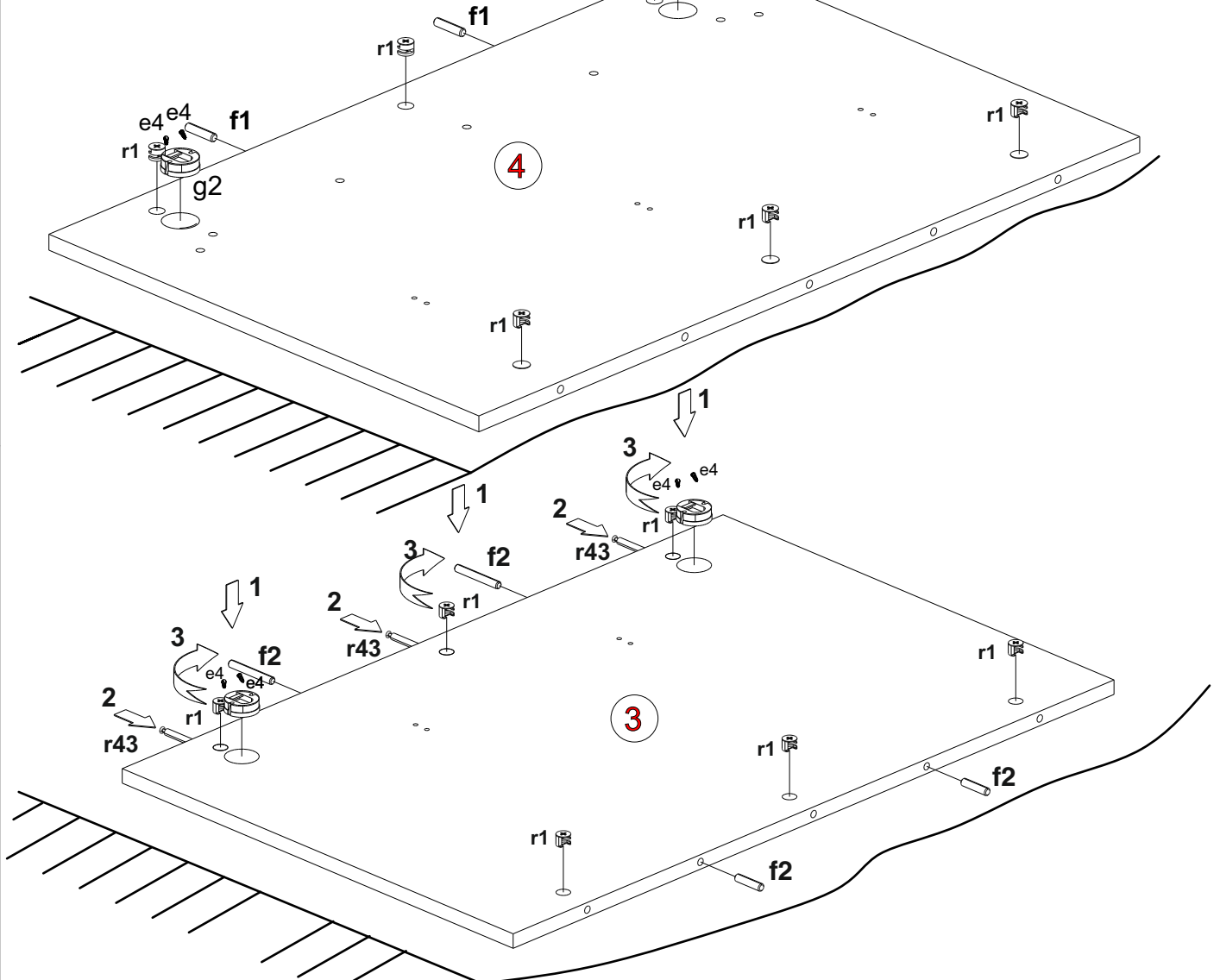
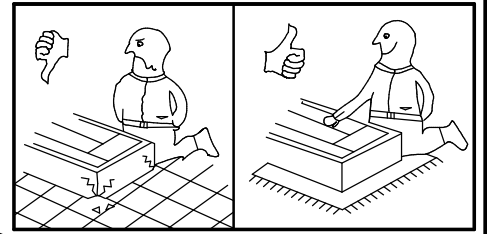
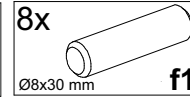
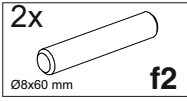
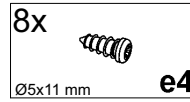
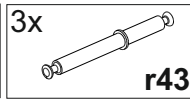
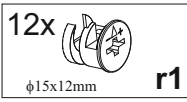
A	C1	C2	C3	D	PCS
1	851	33	25	1/1	2
2	751	33	25	1/1	1
3	850	553	16	1/1	1
4	850	553	16	1/1	1
5	750	261	16	1/1	1
6	80	261	16	1/1	1
7	80	261	16	1/1	1



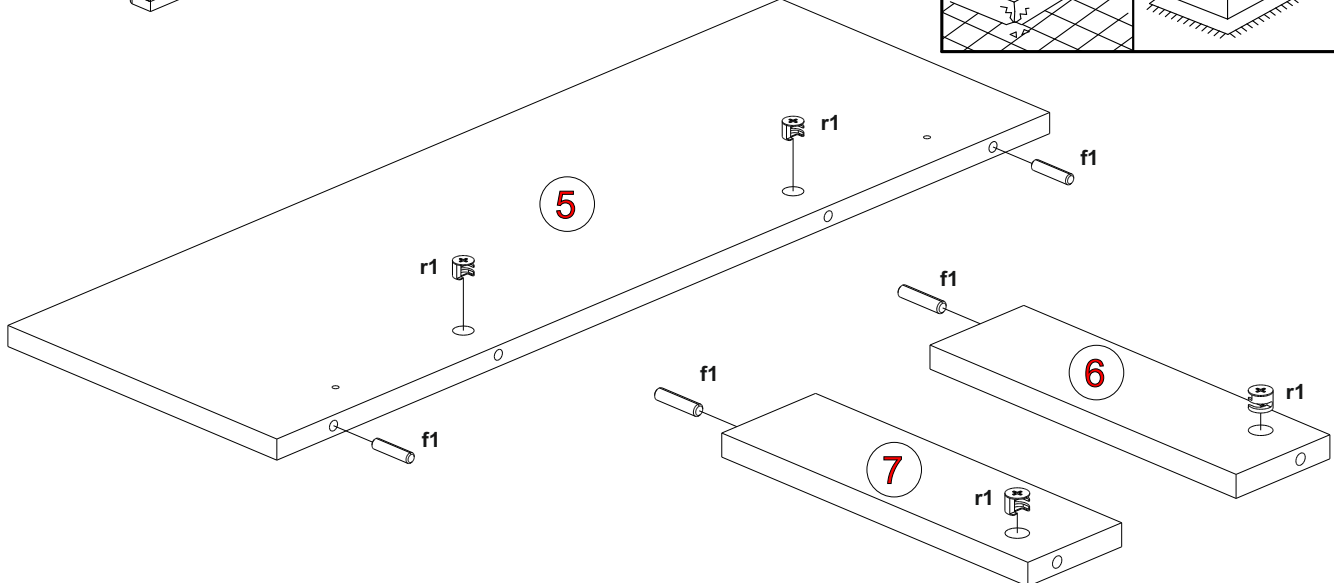
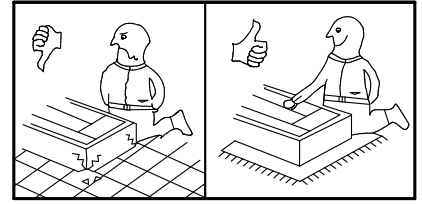
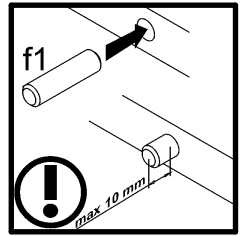
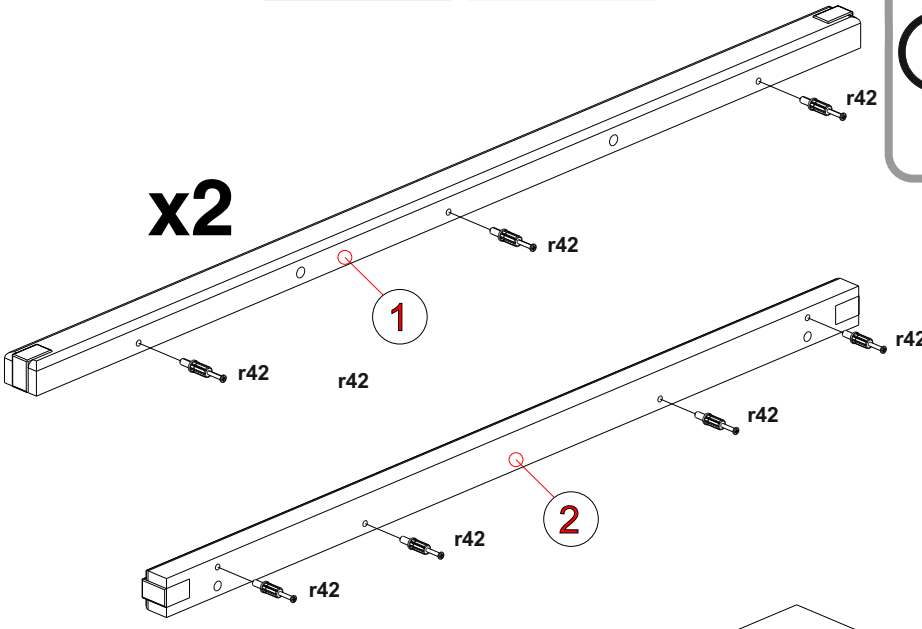
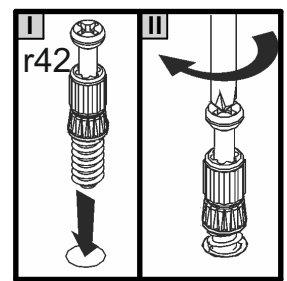
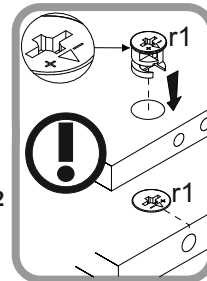
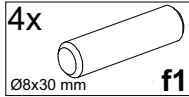
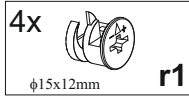
2x g54/1	1x g54/2	2x g54/3	10x 20/11 r42	3x r43	4x phi10x60 mm f35
14x M4x20 mm j32	2x phi 15mm s59	4x phi 16 s2	1x z1	2x phi 8x60 mm f2	8x phi 8x30 mm f1
8x phi 5x11 mm e4	4x g2	4x phi 6x50 mm p75	7x phi 7x50 mm e1	5x g53	16x phi 15x12mm r1



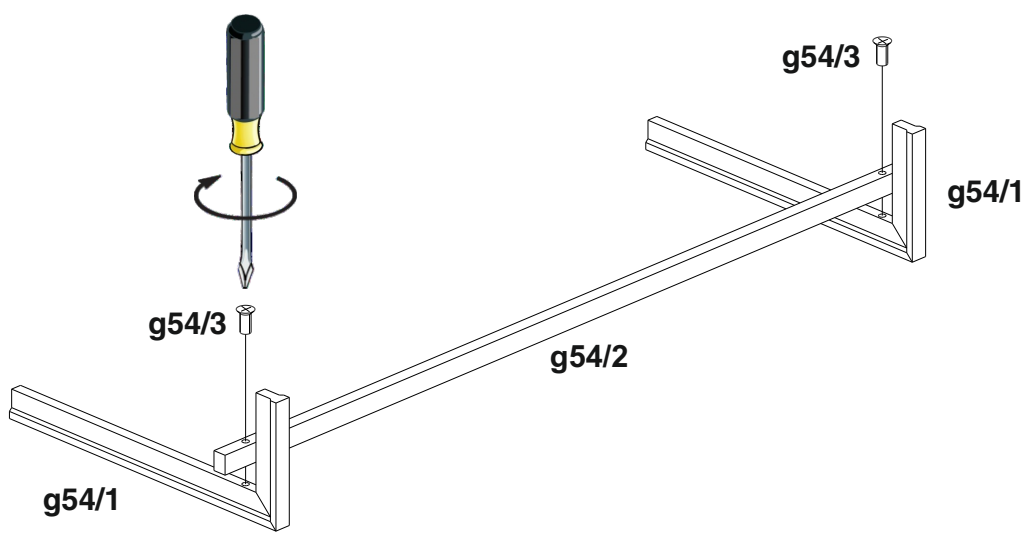
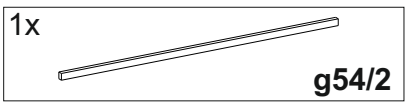
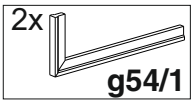
1



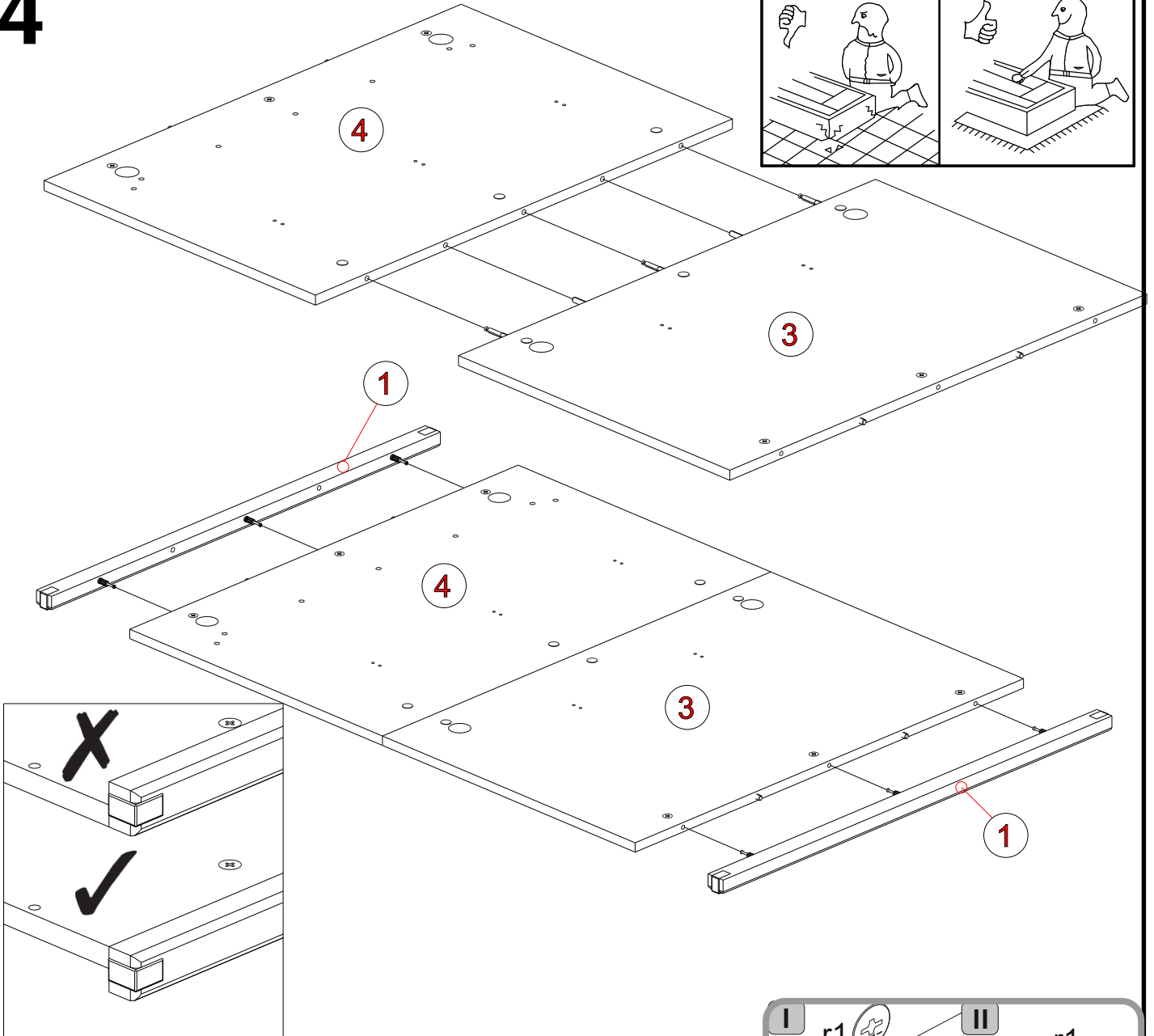
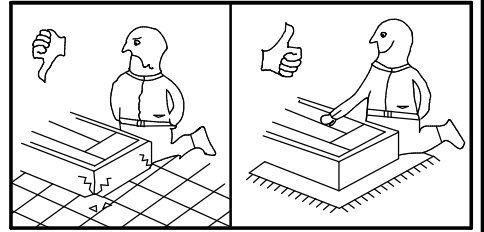
2



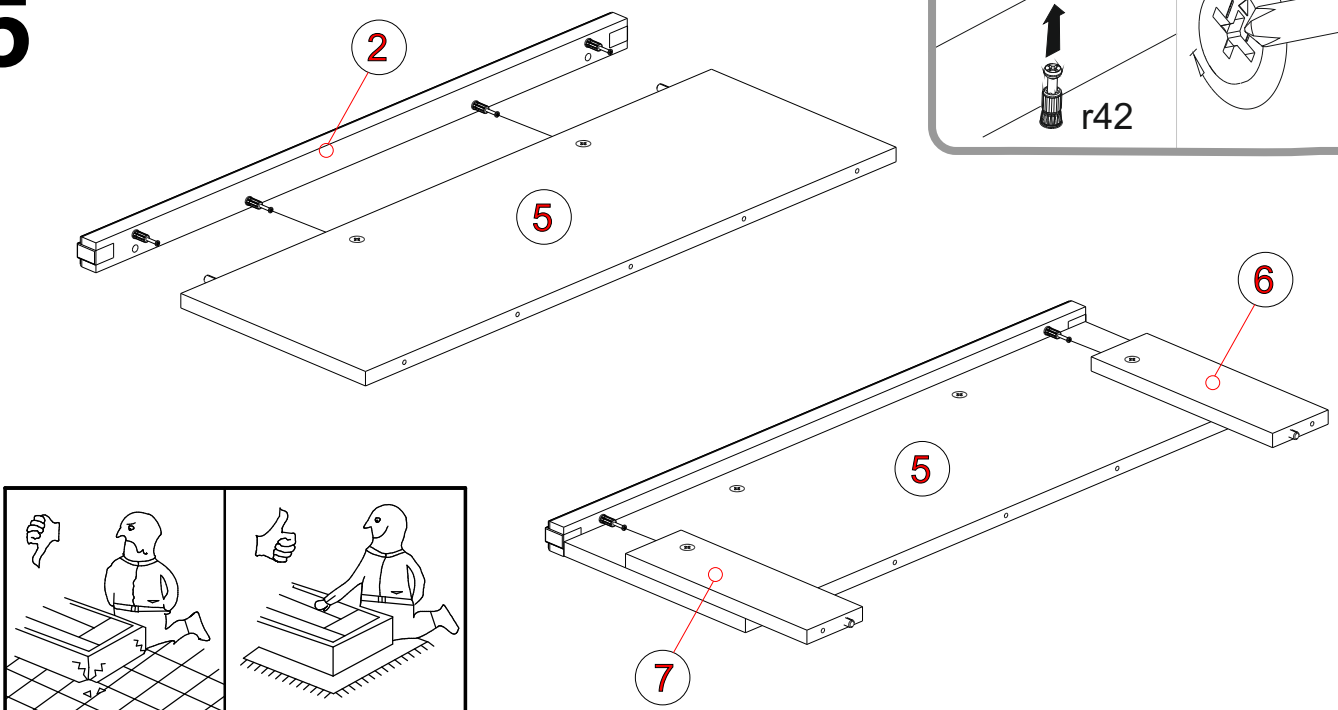
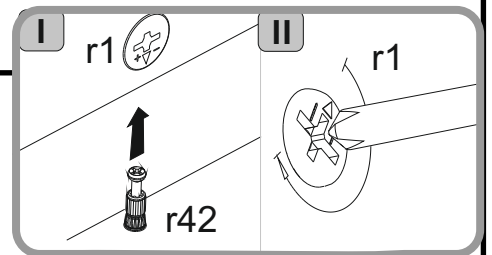
3



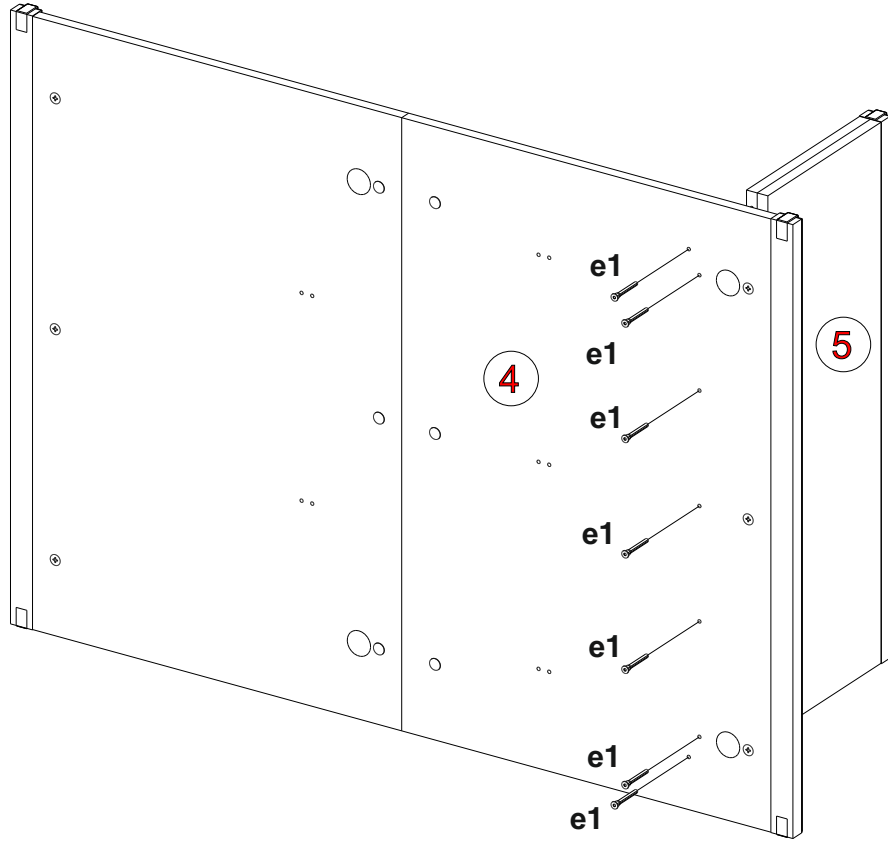
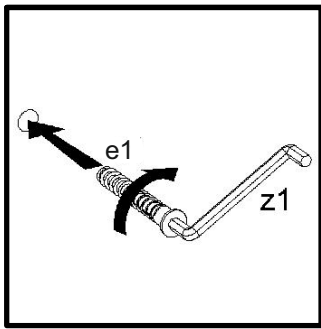
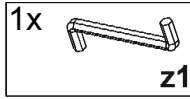
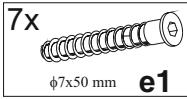
4



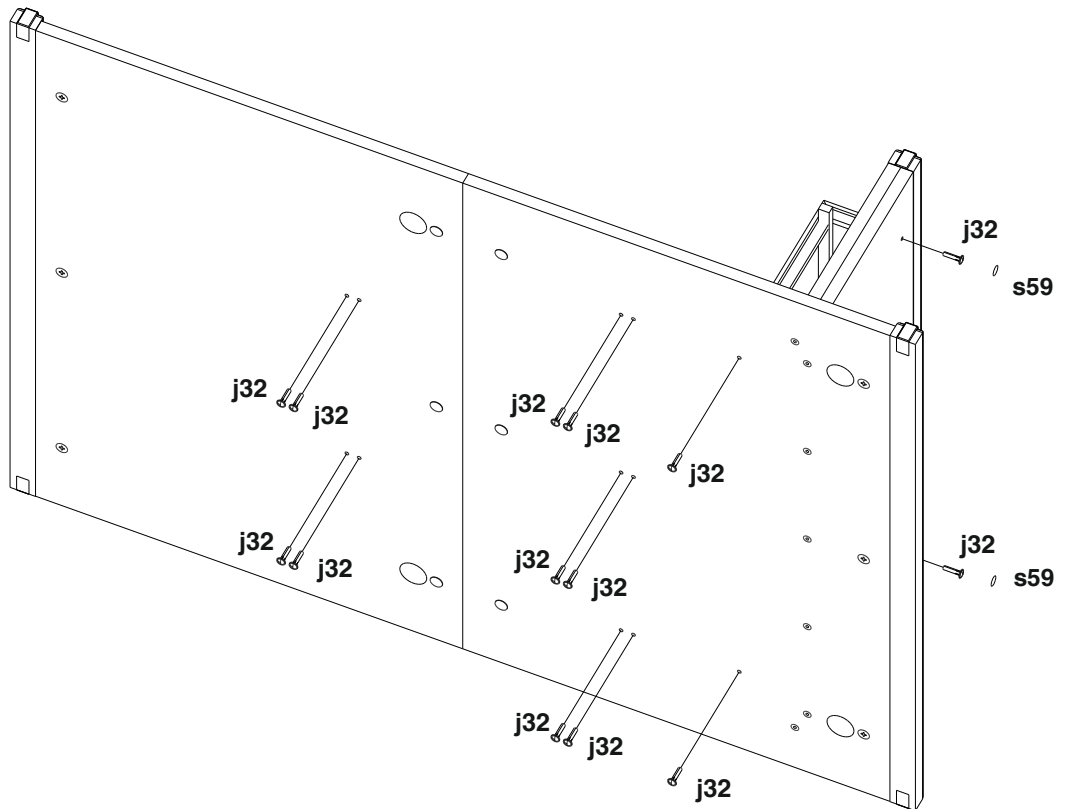
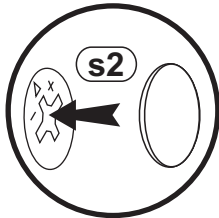
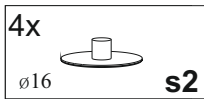
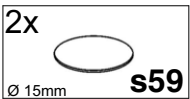
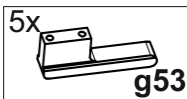
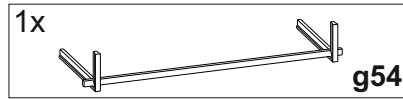
5



6



7



8

4x
Ø6x50 mm
p75

4x
φ10x60 mm
f35

