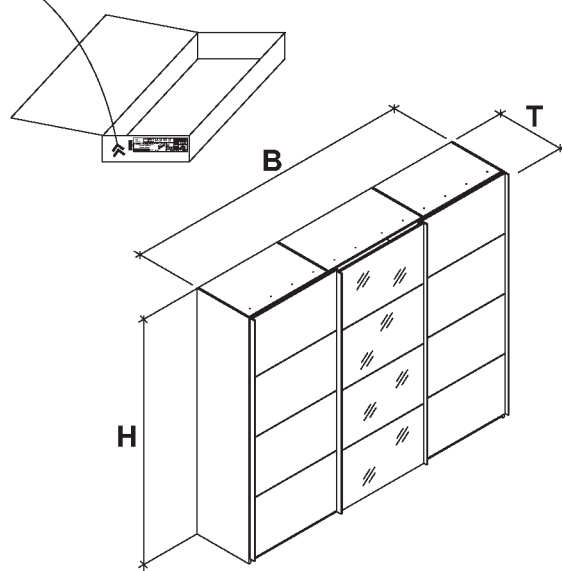
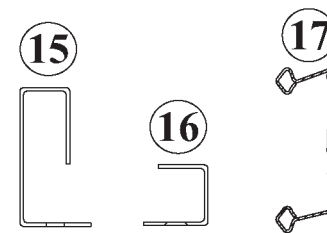


1,2	2250x550x15	2	1/9
3	2250x535x15	2	2,3/9
4	827x535x65	2	5/9
5	986x535x65	1	5/9
6	827x535x15	2	5/9
7	986x535x15	1	4/9
8	827x510x22	4	4/9
9	986x510x22	2	3/9
10A	2177x836x3	2	2/9
10	2177x994x3	1	2/9
11	912x550x15	4	6,7/9
12	912x550x15	4	7,8/9
13	912x550x18	2	6/9
14	912x550x18	2	7,8/9
15	2200x48x10	4	9/9
16	2200x14x17	2	2/9
17	2664	1	9/9
18	2668	1	9/9




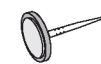
B - 2700mm
H - 2250mm
T - 634mm




COLLI 1

NR 1

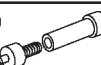
T6  x12


F15  x4


L4  x4


COLLI 2


NR 1

T25  $\phi 5\text{mm}$ x6

M7  x18

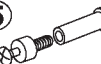
E3  6,3x13 x18


S9  4x16 x18

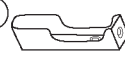
F15  x2


COLLI 3

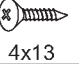
NR 1


T25  $\phi 5\text{mm}$ x6

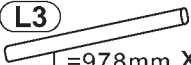
W8  x8

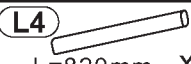
F7  x2

A20  M6x30 x2

S8  4x13 x4


F15  x2

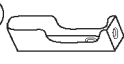
L3  L=978mm x1


L4  L=820mm x2


COLLI 4

NR 1

W8  x16

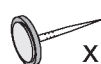
F7  x4

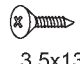
A20  M6x30 x4

S8  4x13 x8

COLLI 5

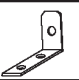
NR 1

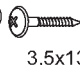
F15  x12

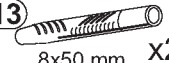
S3  3,5x13 x23

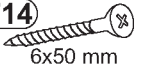
COLLI 5

NR 2

J11  x2

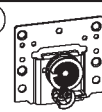
P13  3,5x13 x4

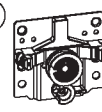
T13  8x50 mm x2

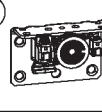
T14  6x50 mm x2

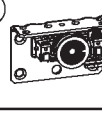
COLLI 6

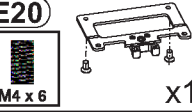
NR 1


E16  x2

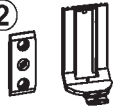
E17  x2


E18  x1

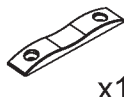
E19  x1

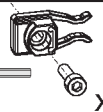
E20  M4 x 6 x1

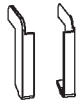
E21  x4

E22  x2

E23  1L/1R x2


E24  3,5 x 16 x1


E25  x2


E26  1L/1R x2


COLLI 6

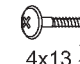
NR 2

E21  6,3x11 x24

E21  6,3x11 x12


S8  4x13 x4

F01  x27

P11  4x13 x108


COLLI 6


NR 3

L5  L=2200 mm x4

COLLI 6

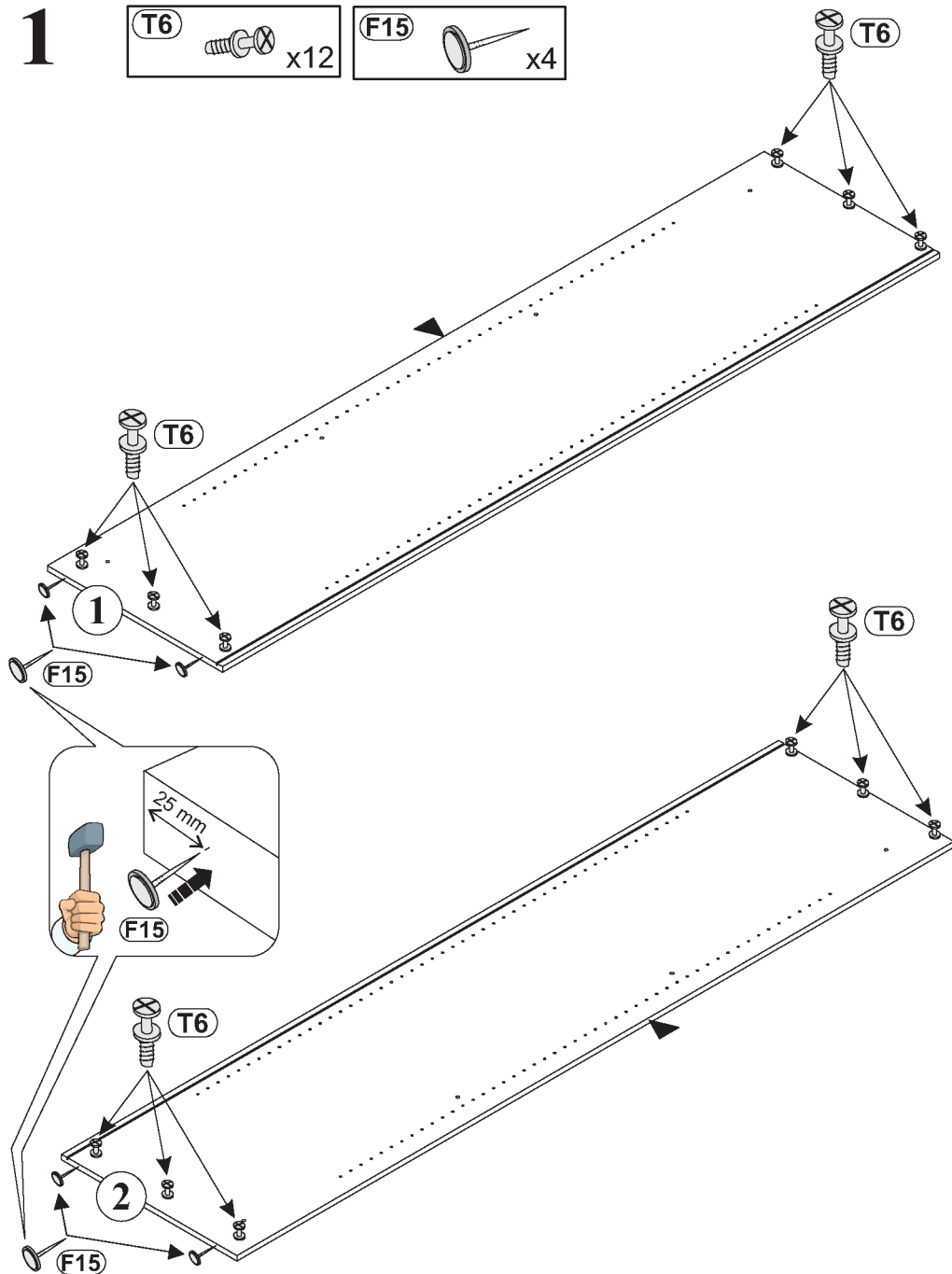
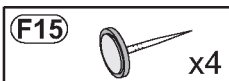
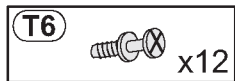
NR 4

P13  3,5x13 x48

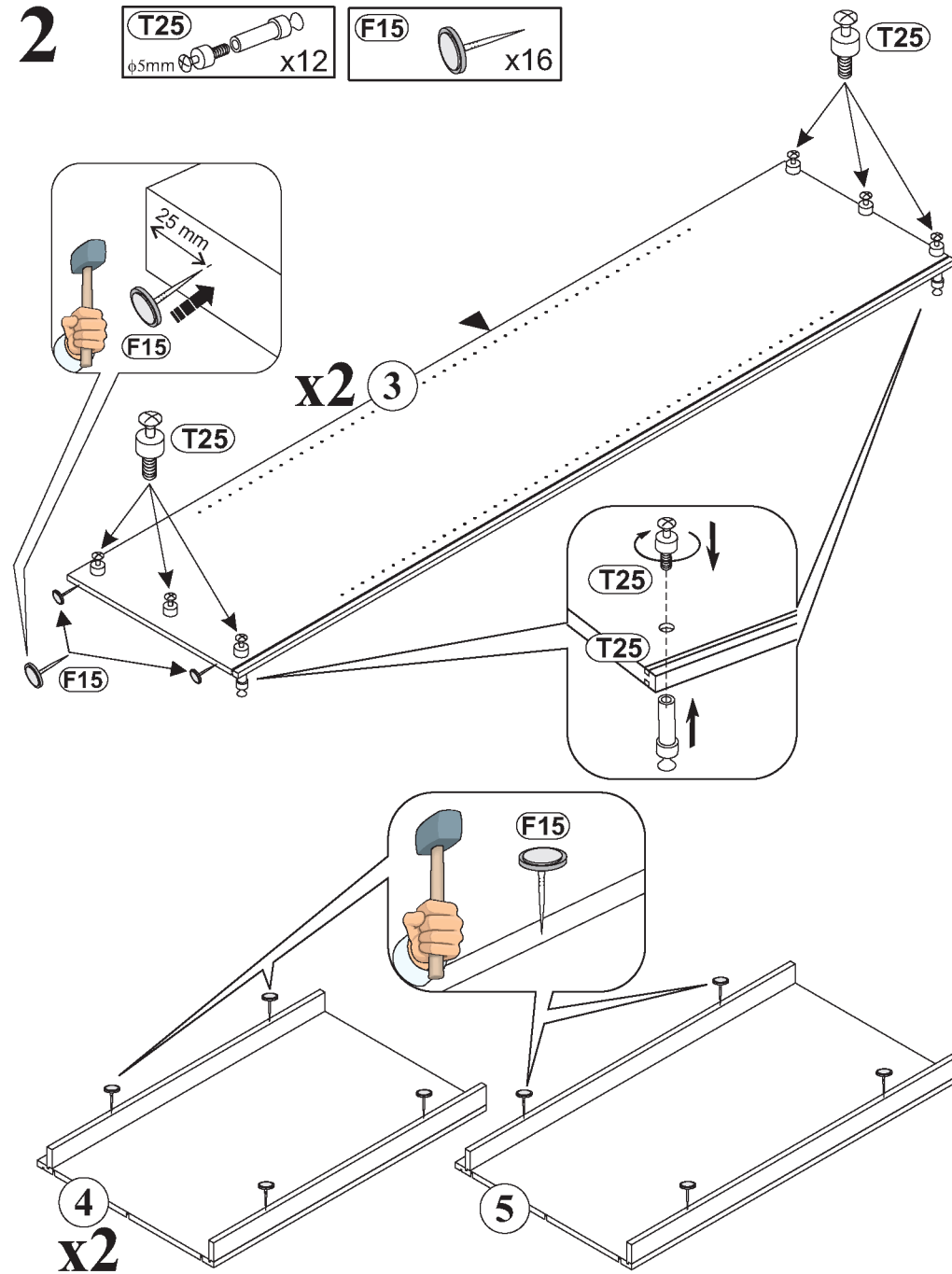
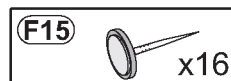
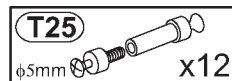
C60  x4

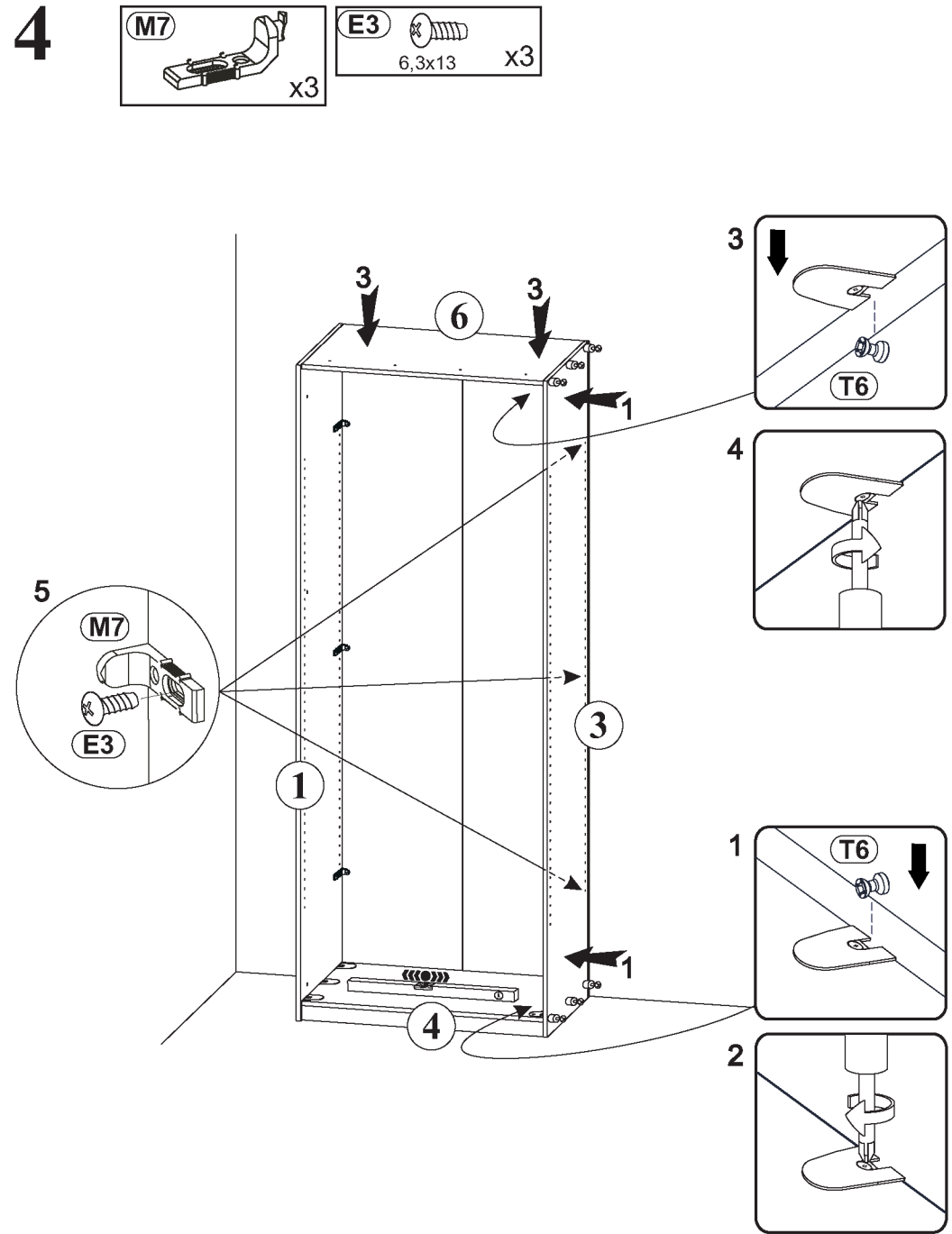
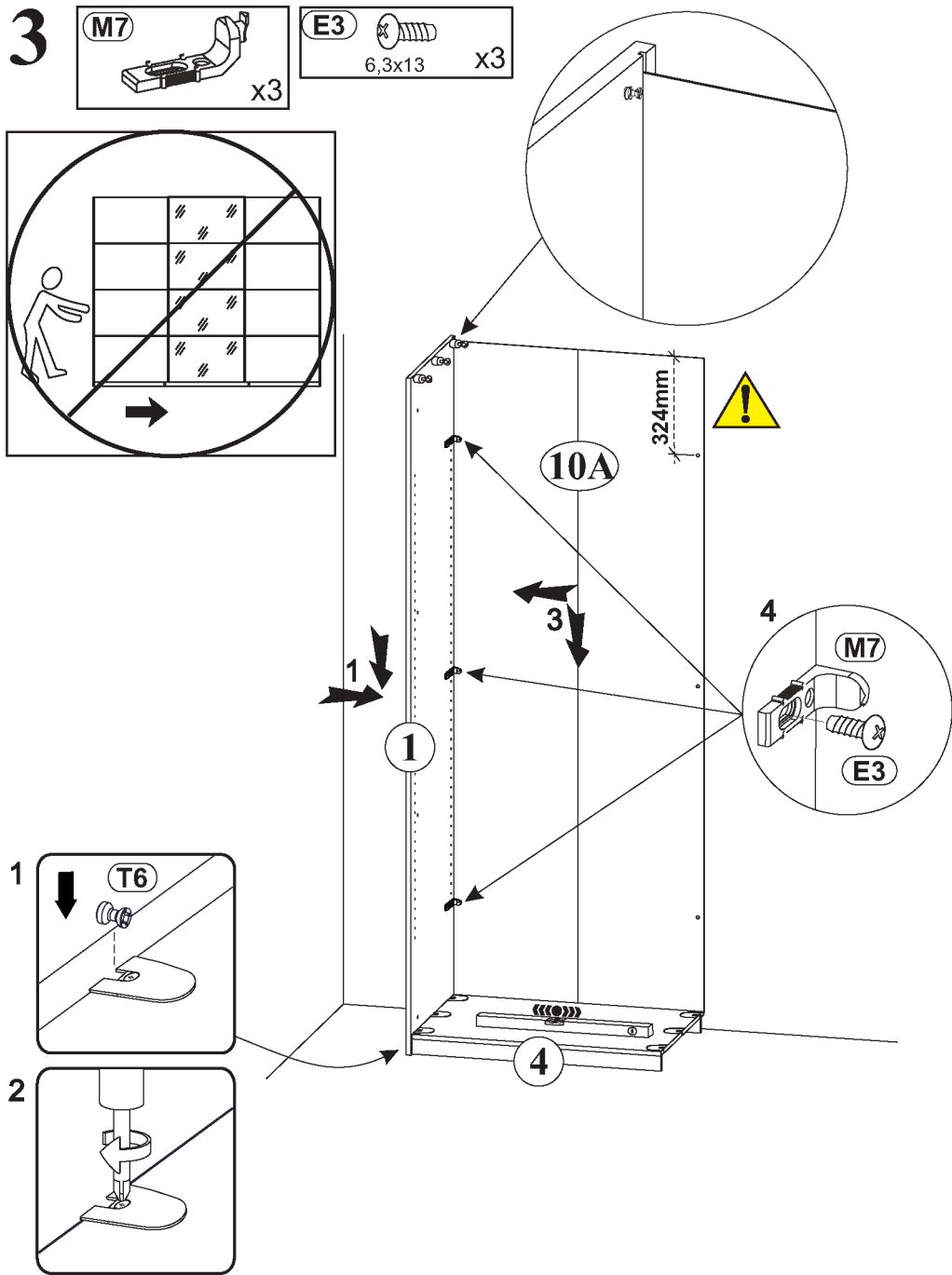


1

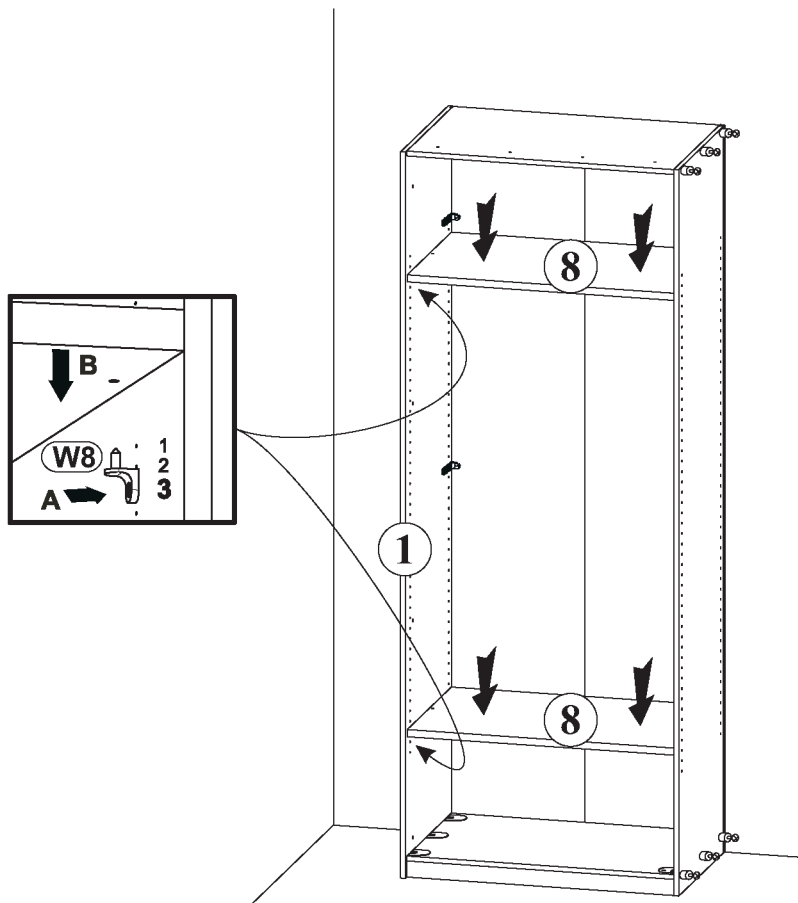


2

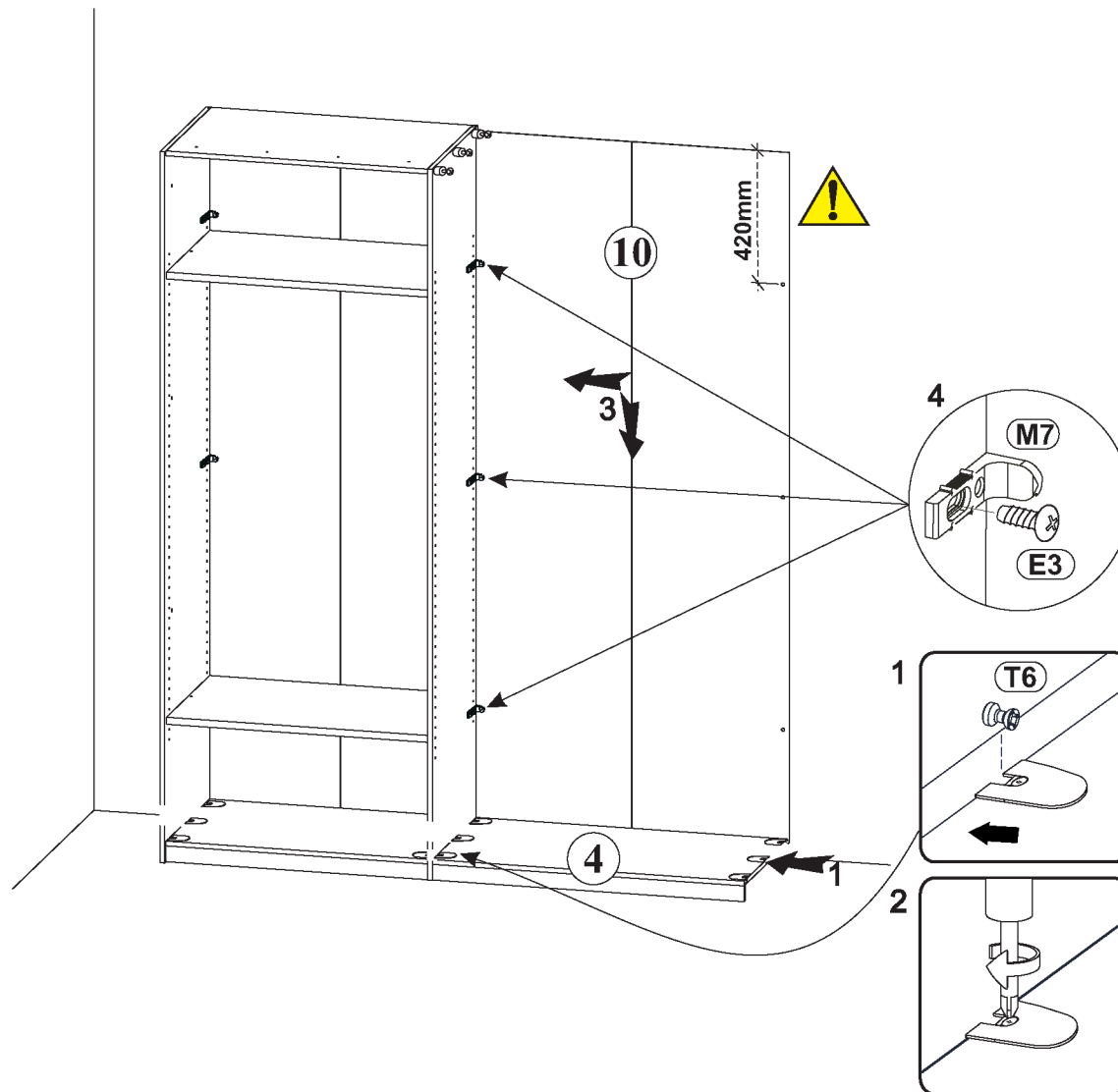
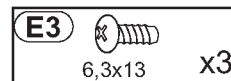
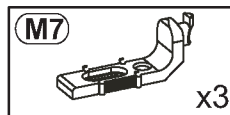




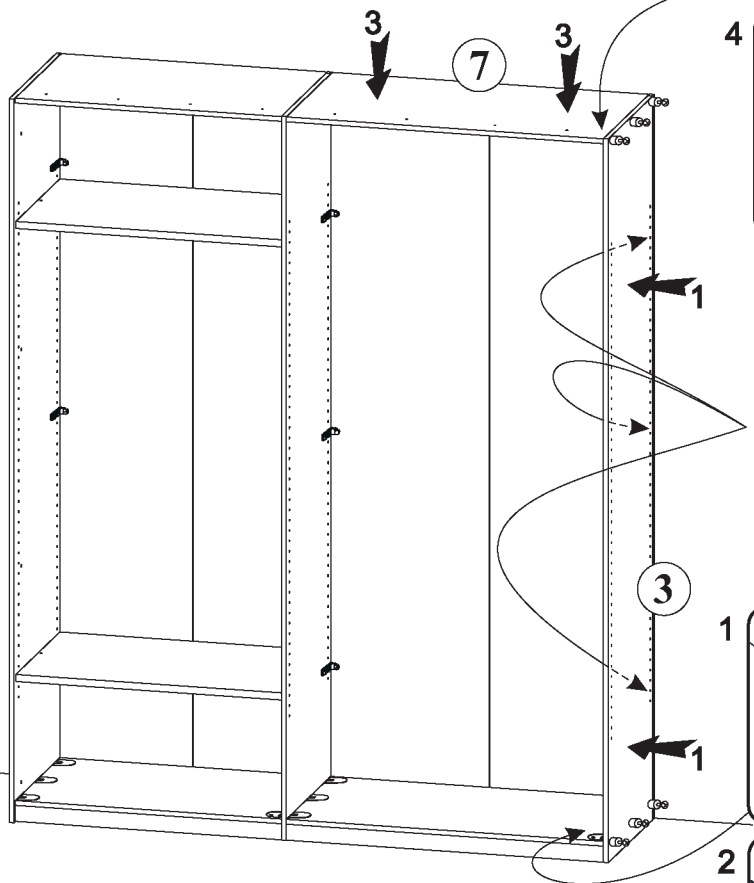
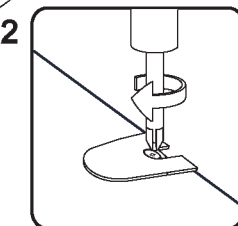
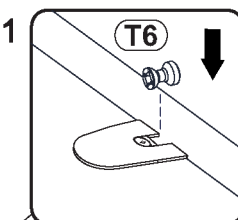
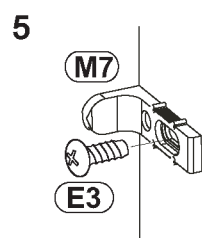
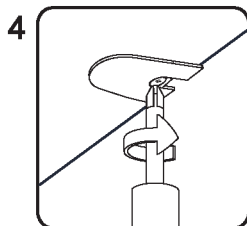
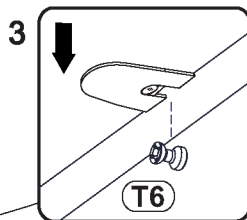
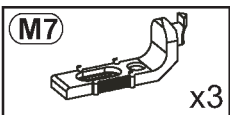
5



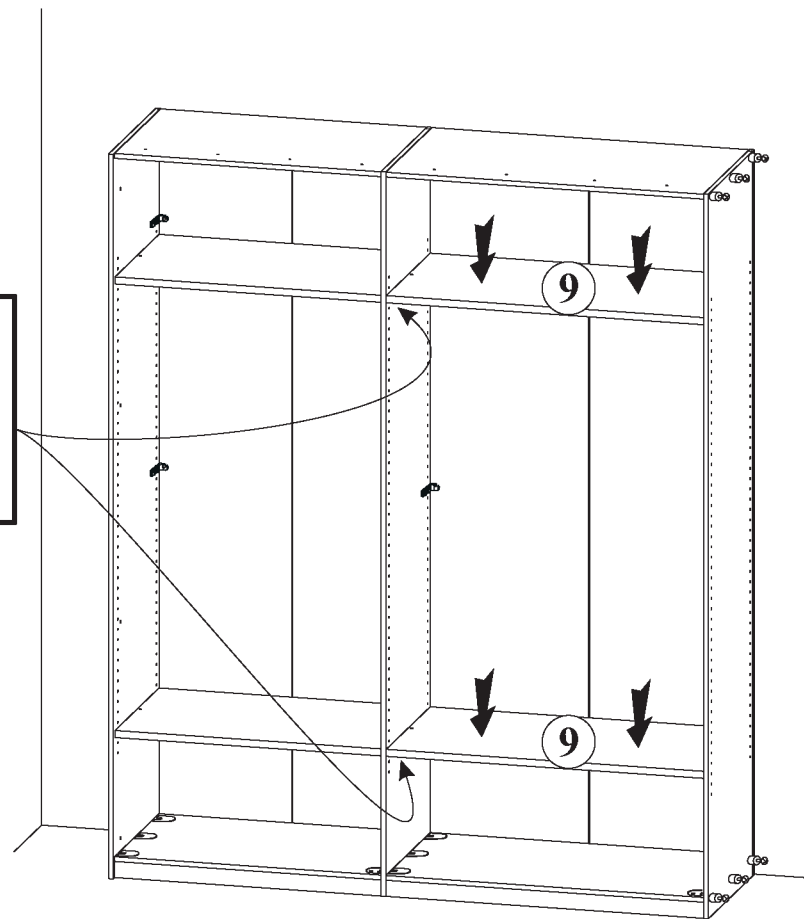
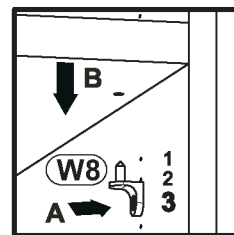
6



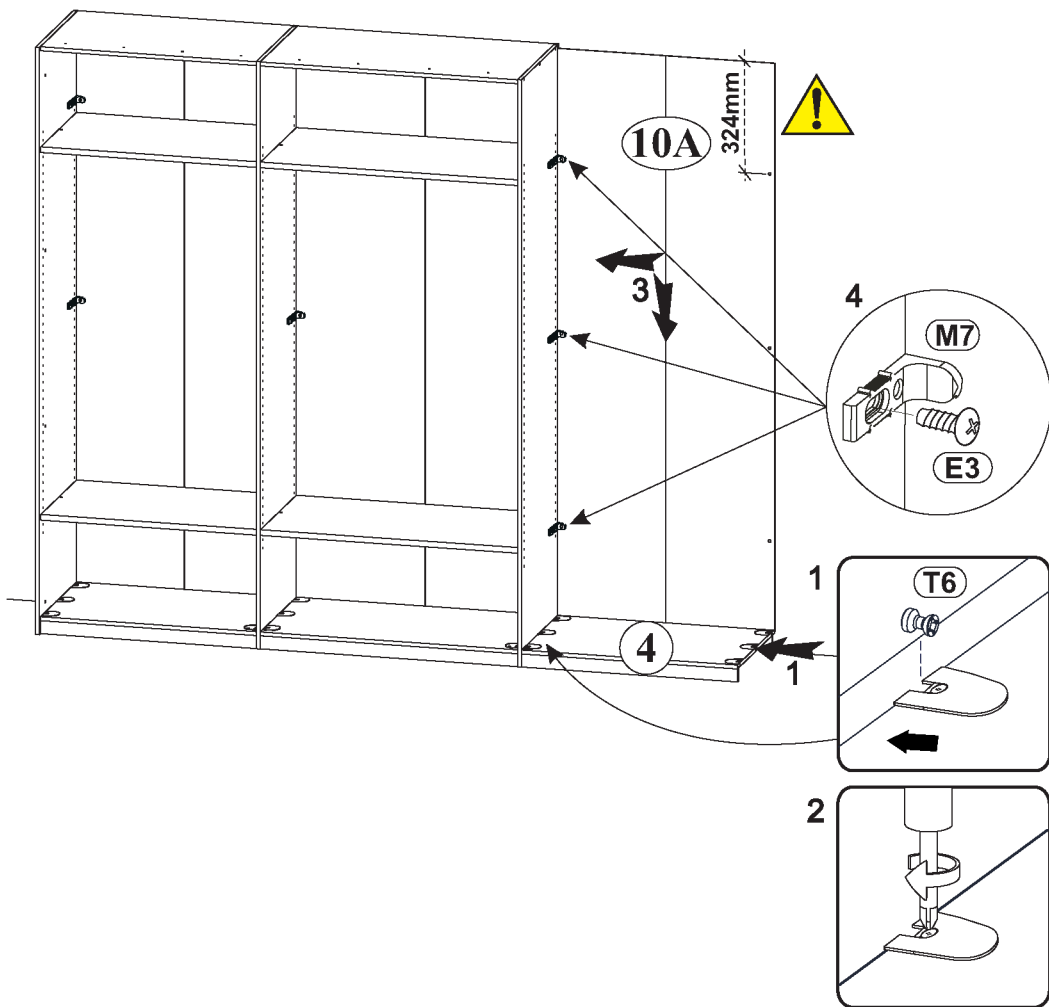
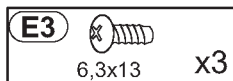
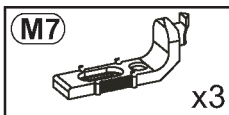
7



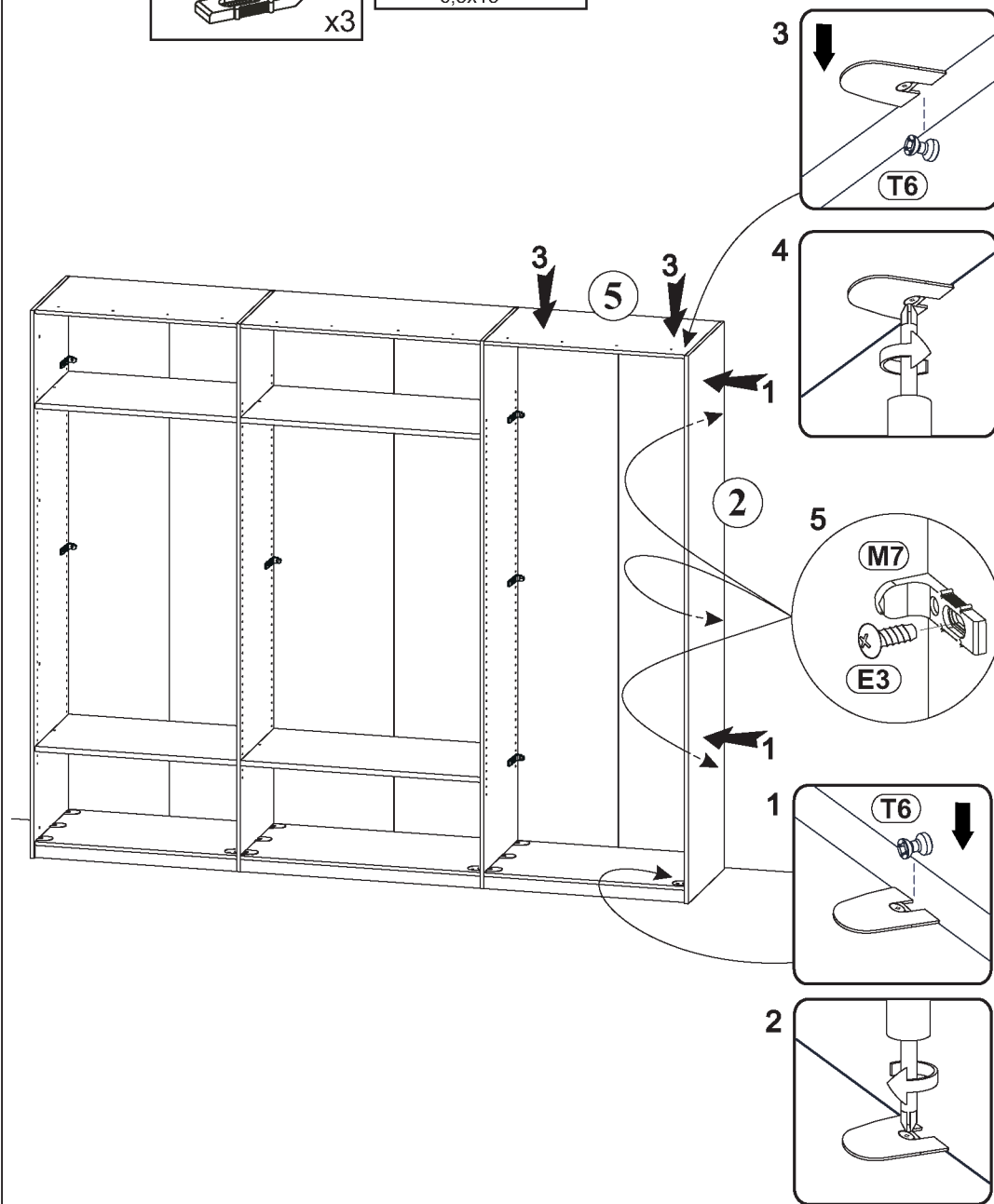
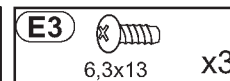
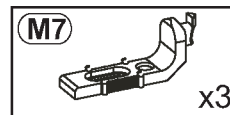
8



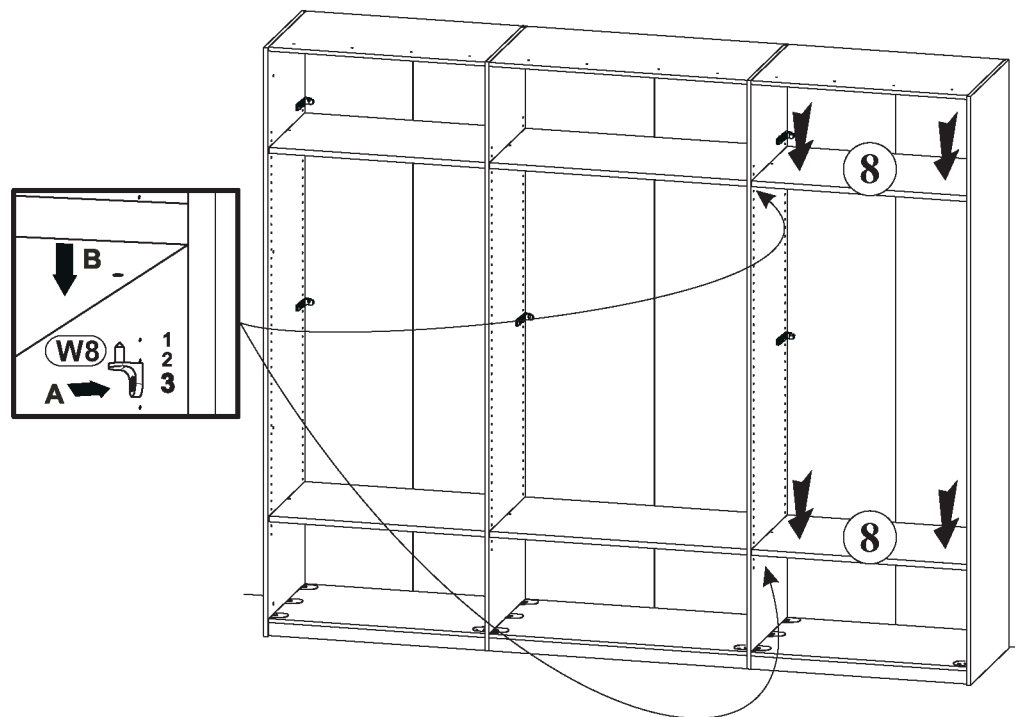
9

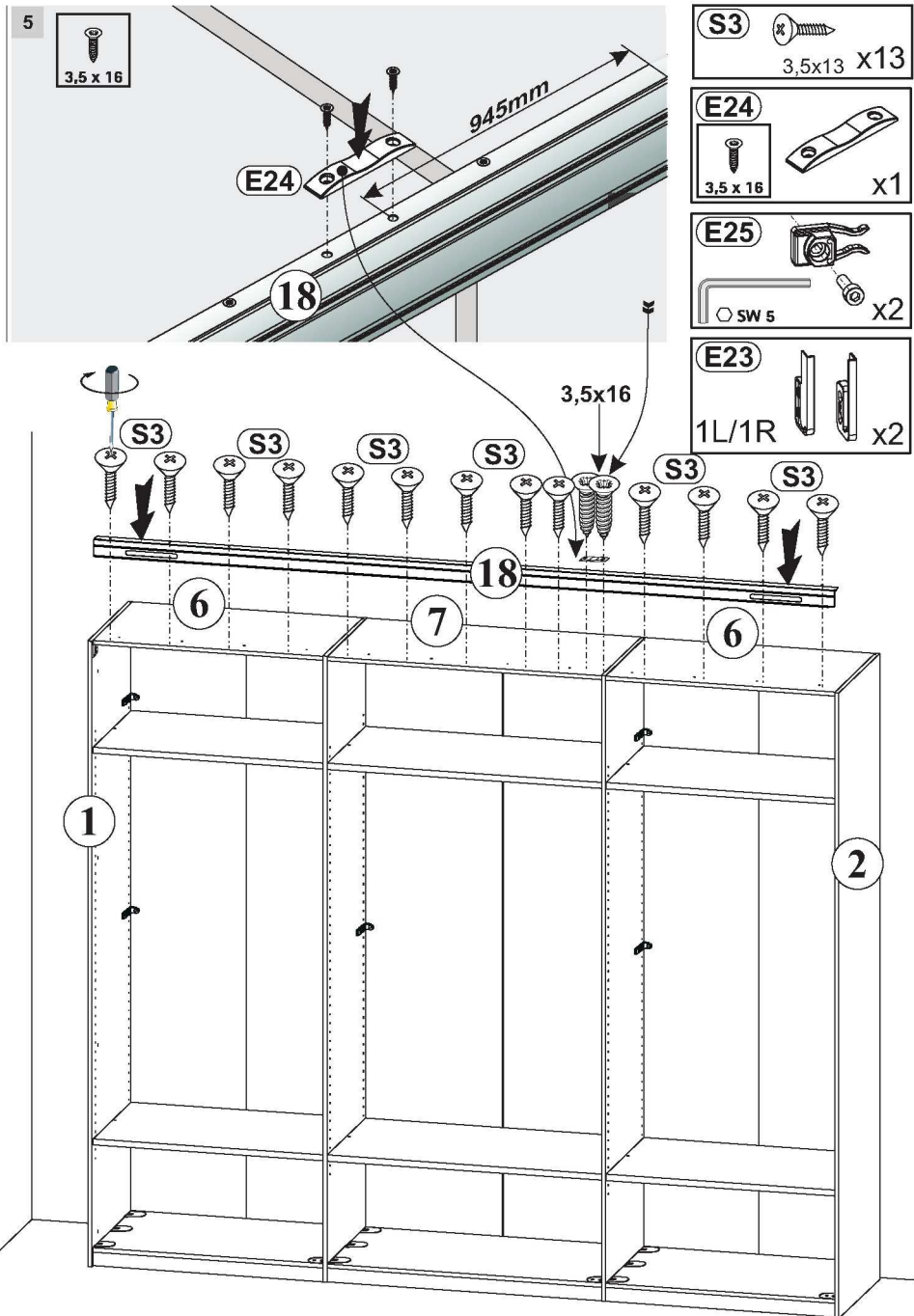
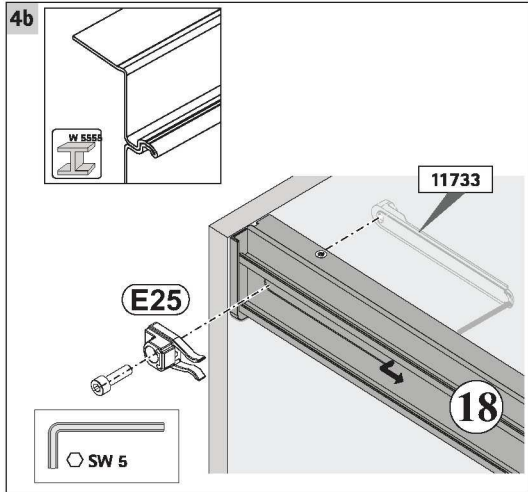
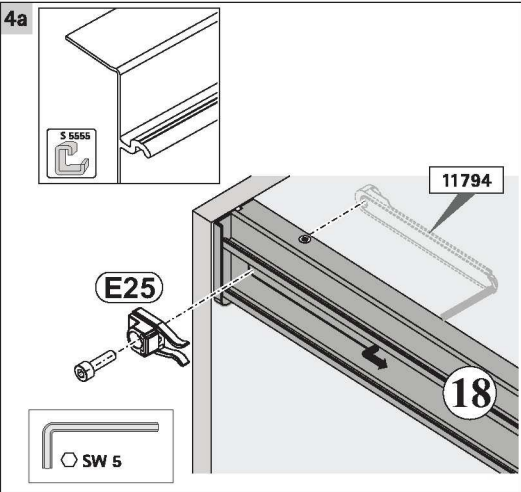
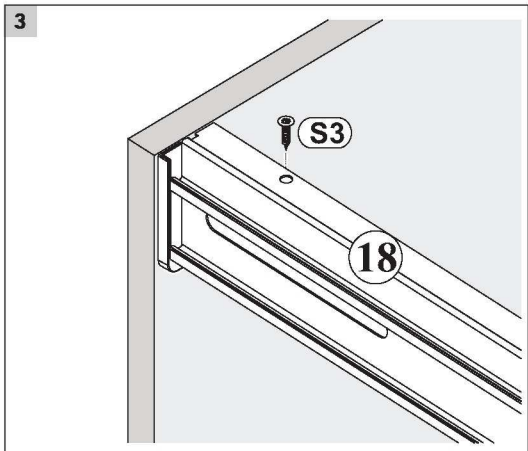
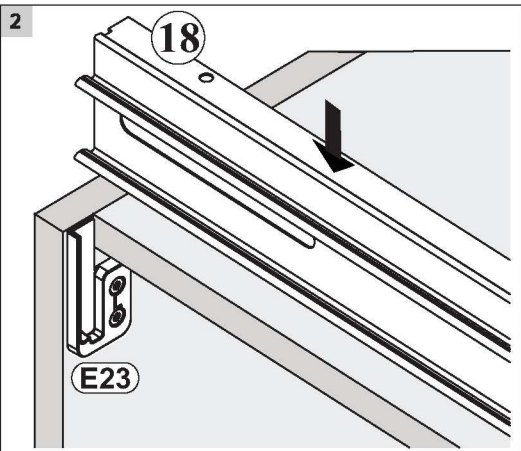
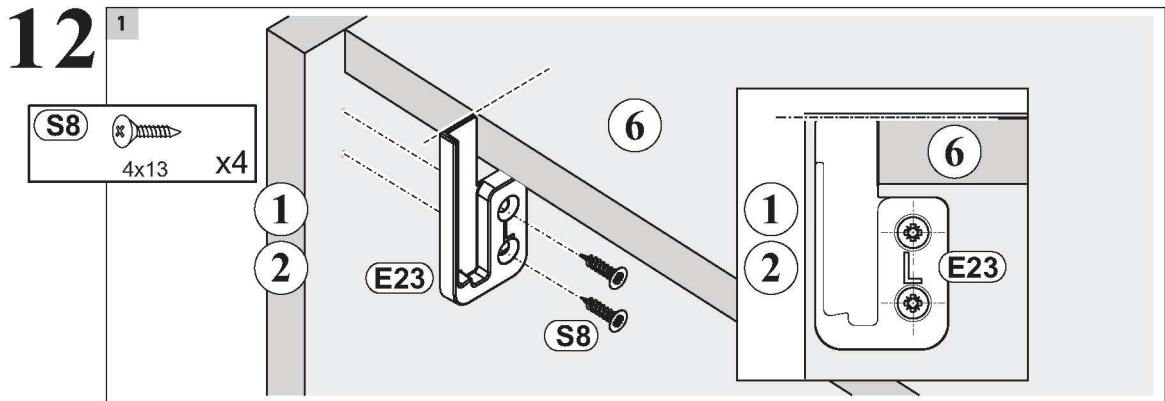


10

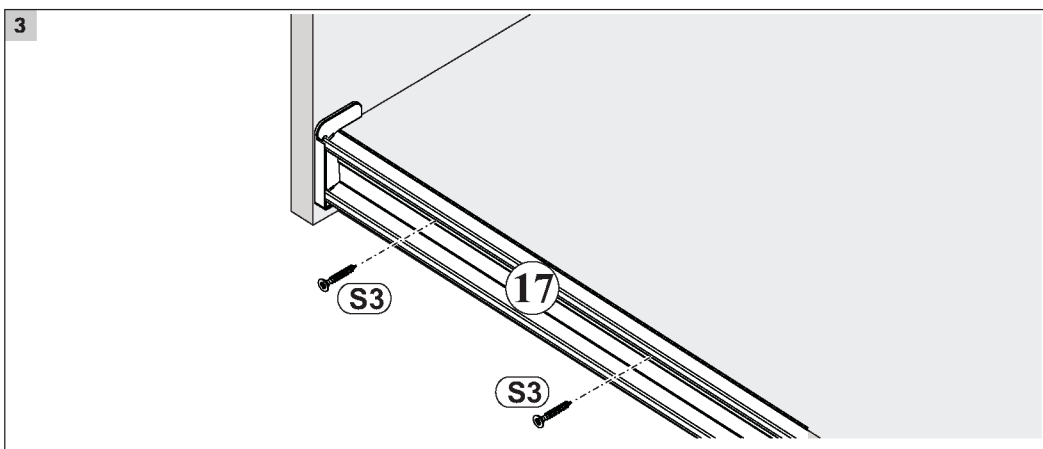
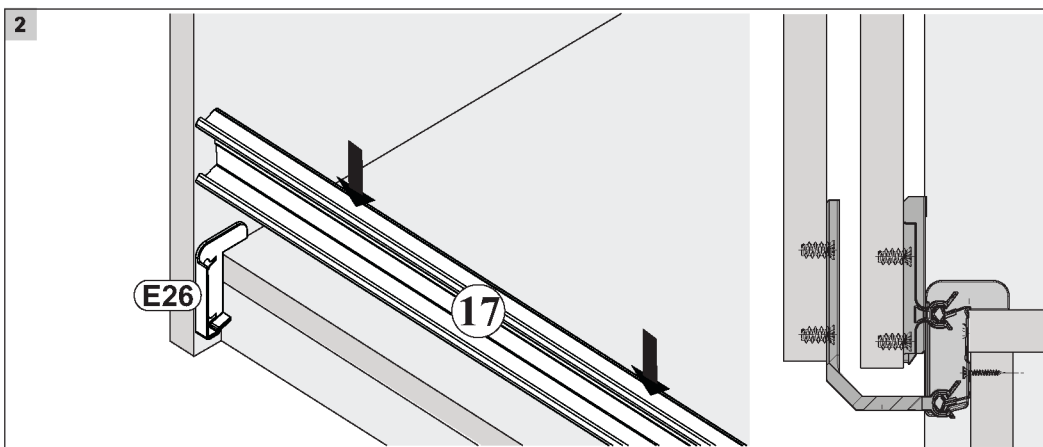
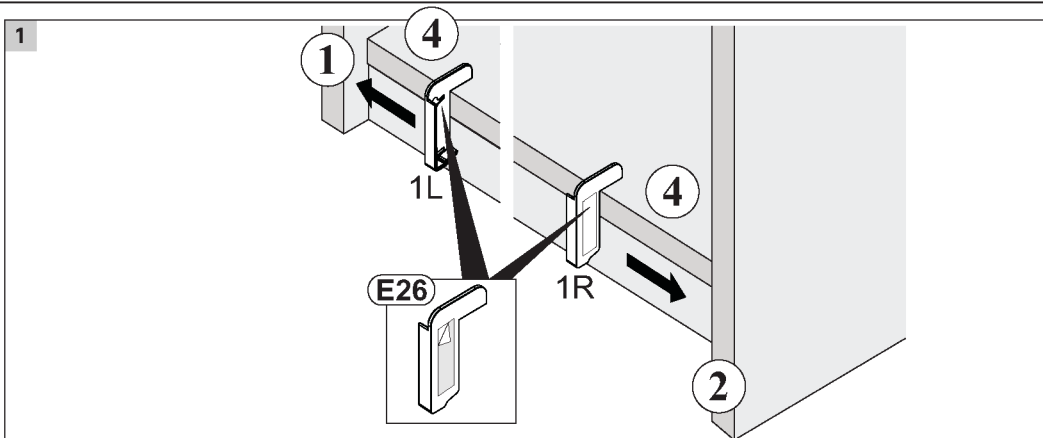


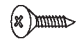

11

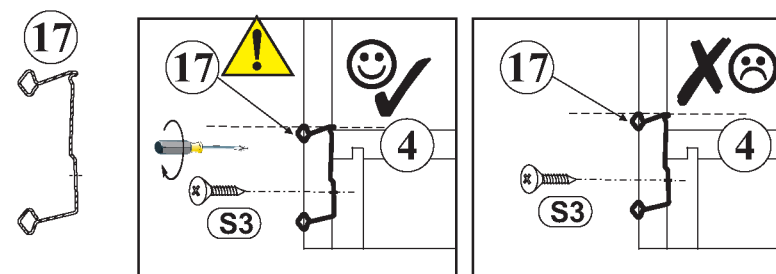
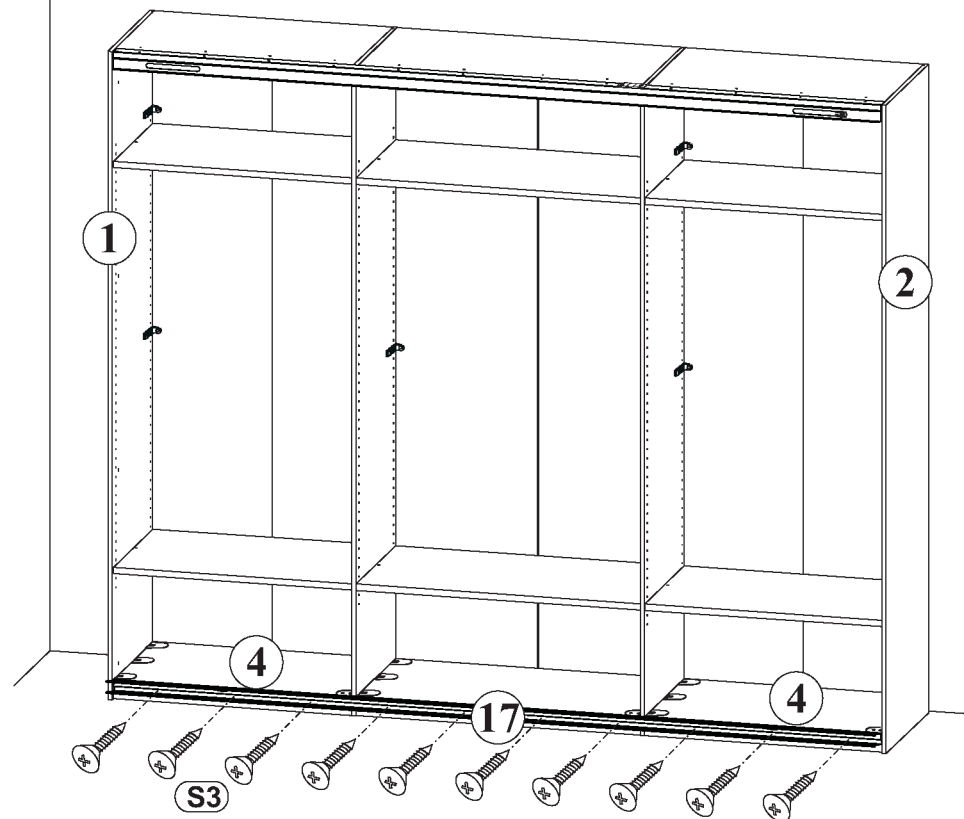




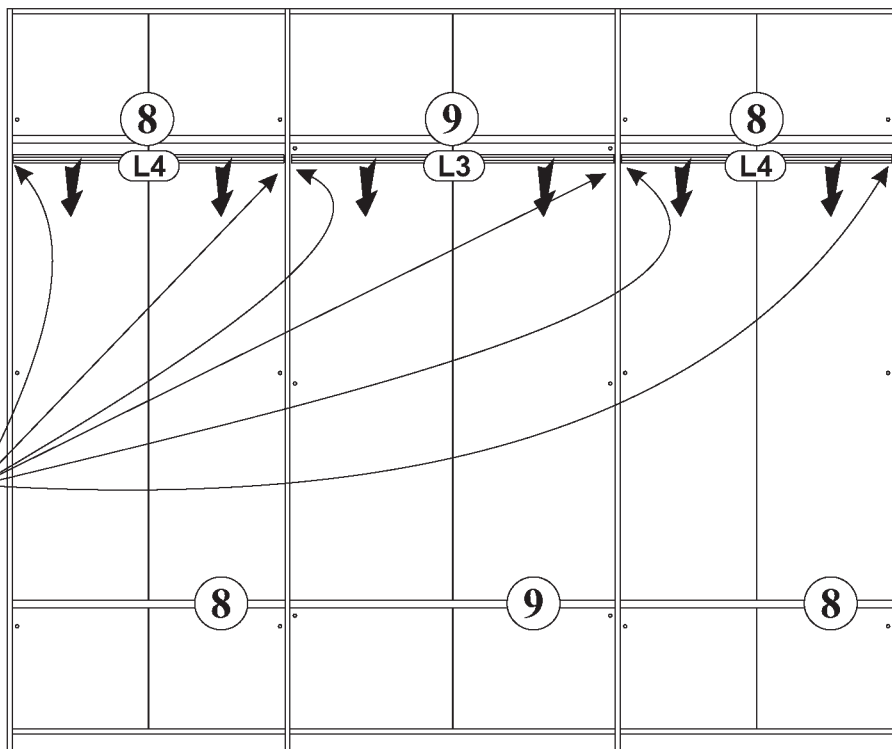
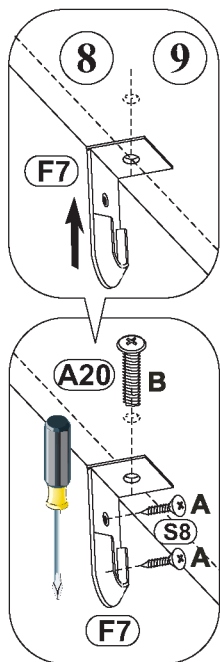
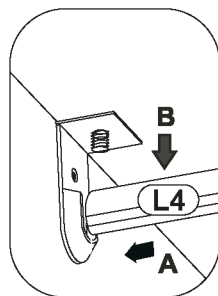
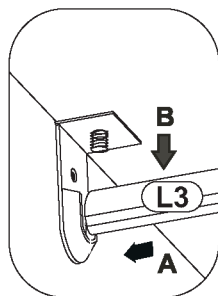
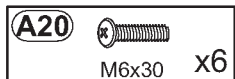
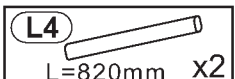
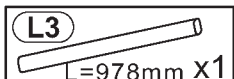
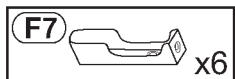
13



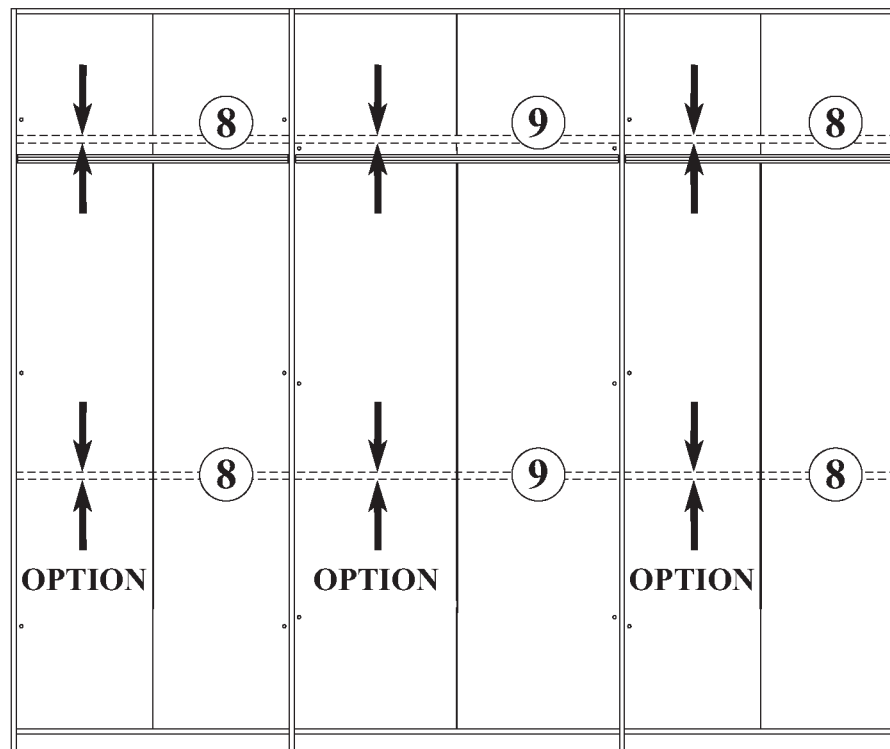
- S3**  3,5x13 x10
- E26**  1L/1R x2



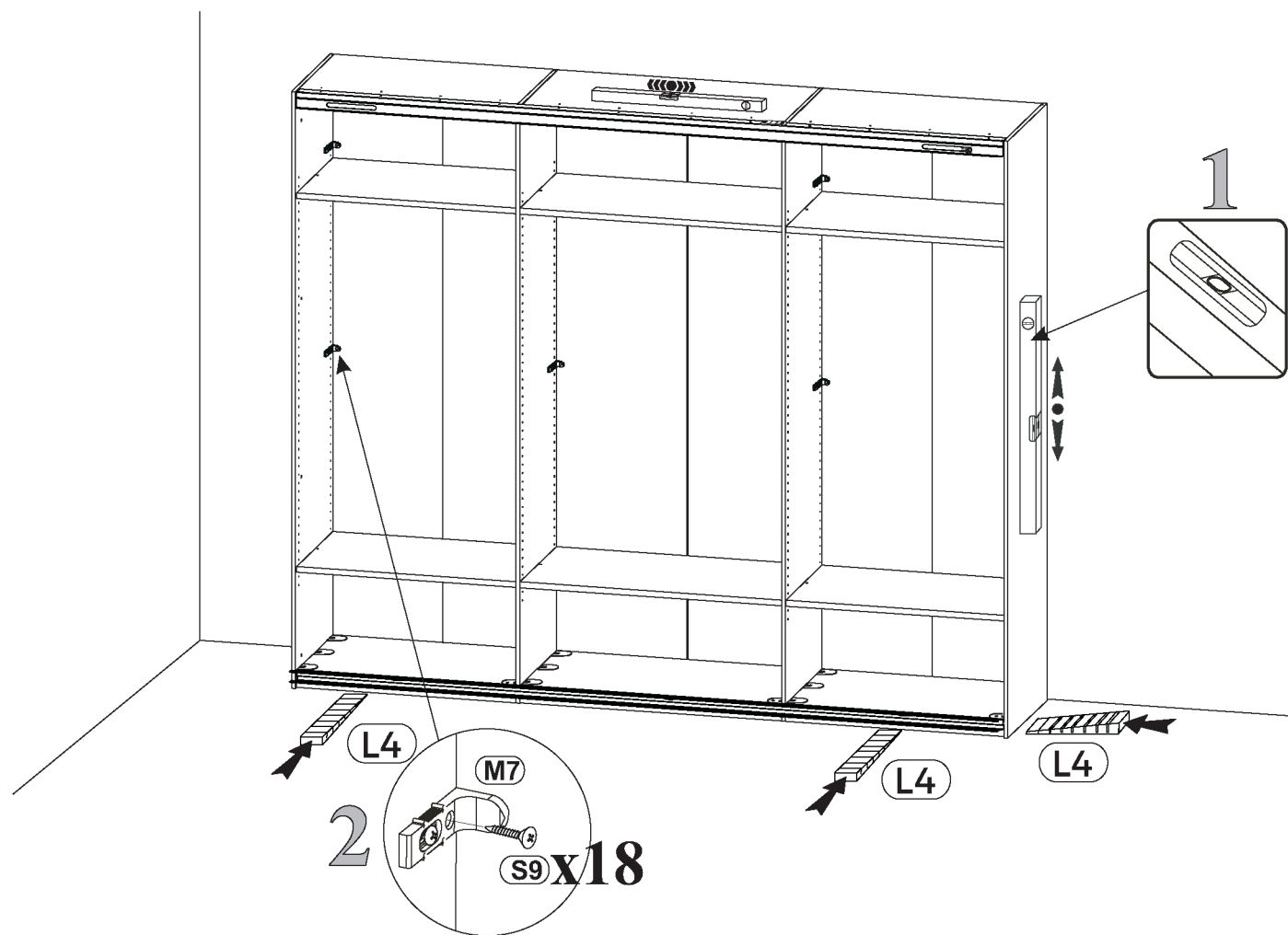
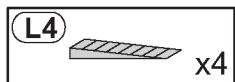
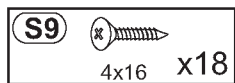
14



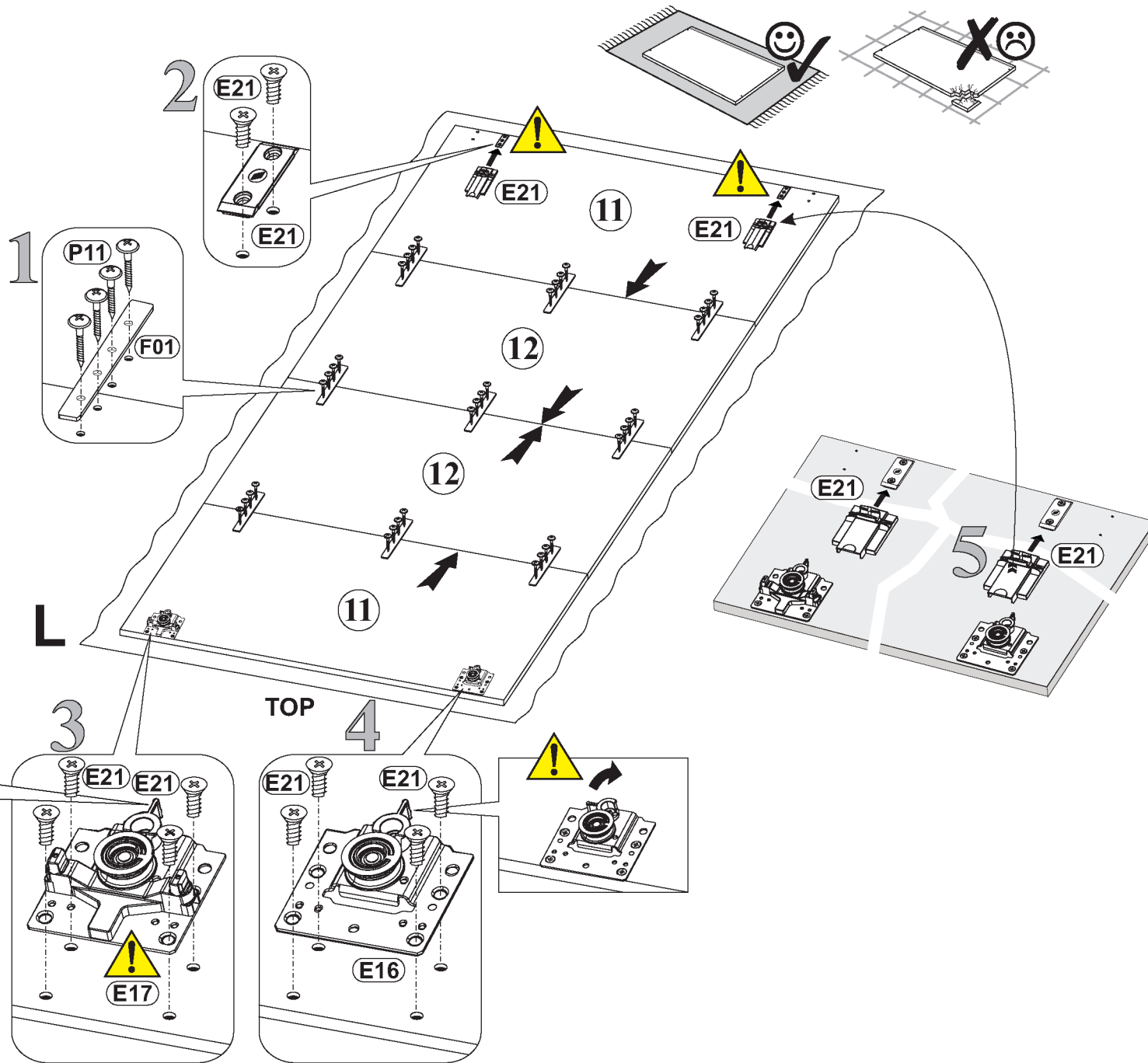
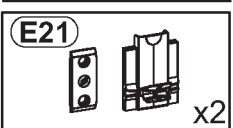
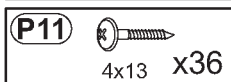
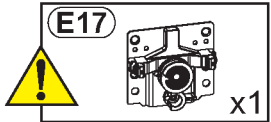
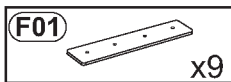
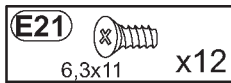
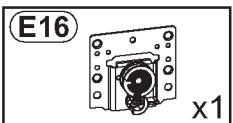
15





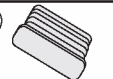
16

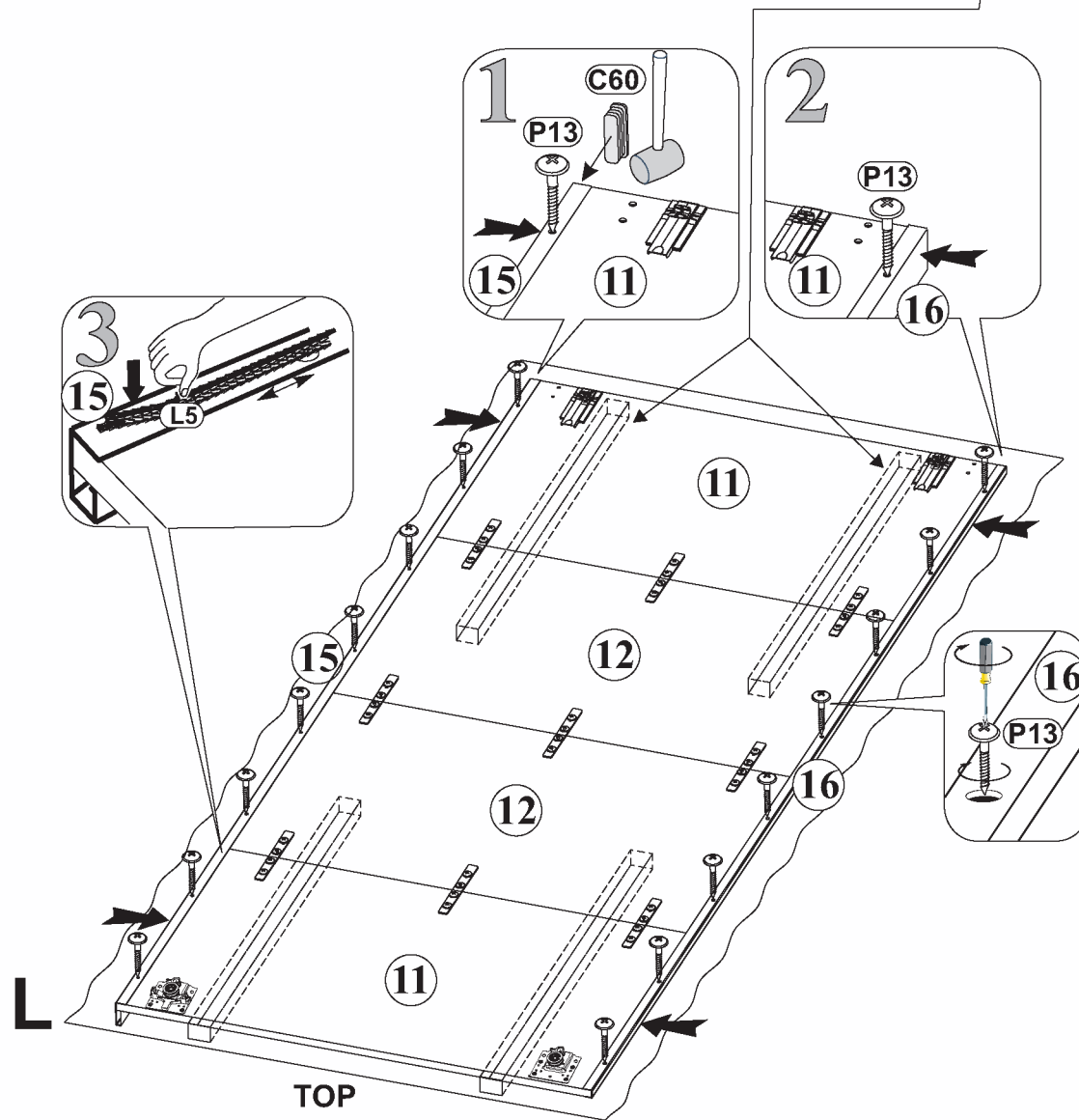
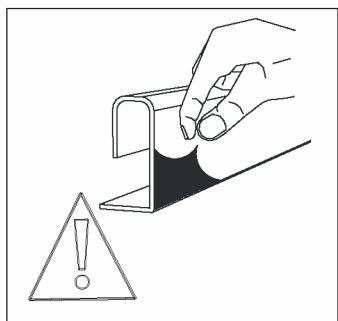
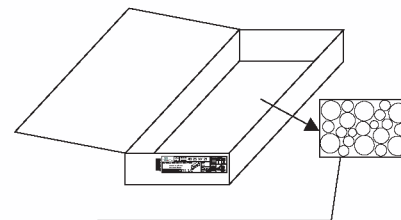
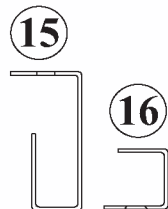


17



18

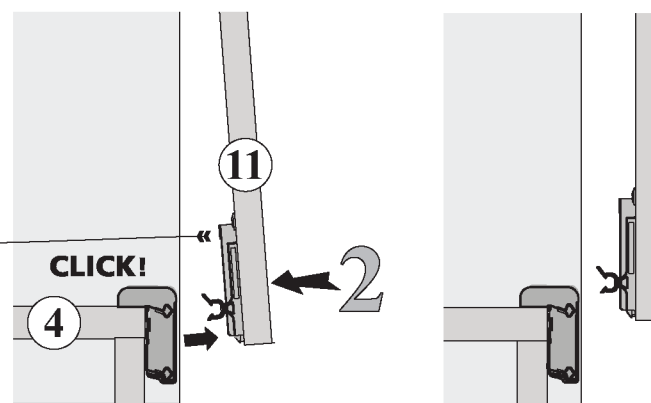
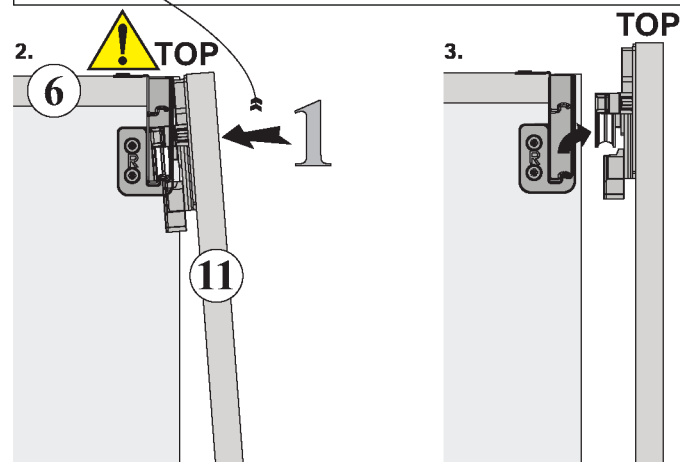
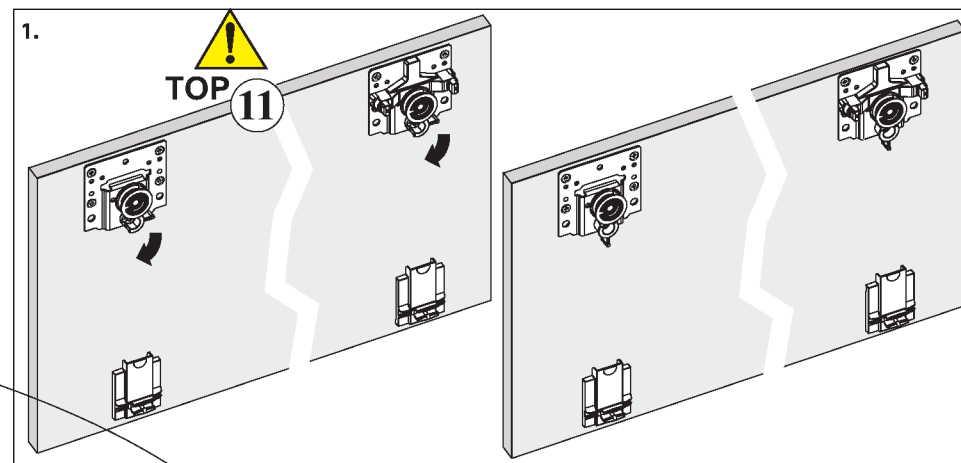
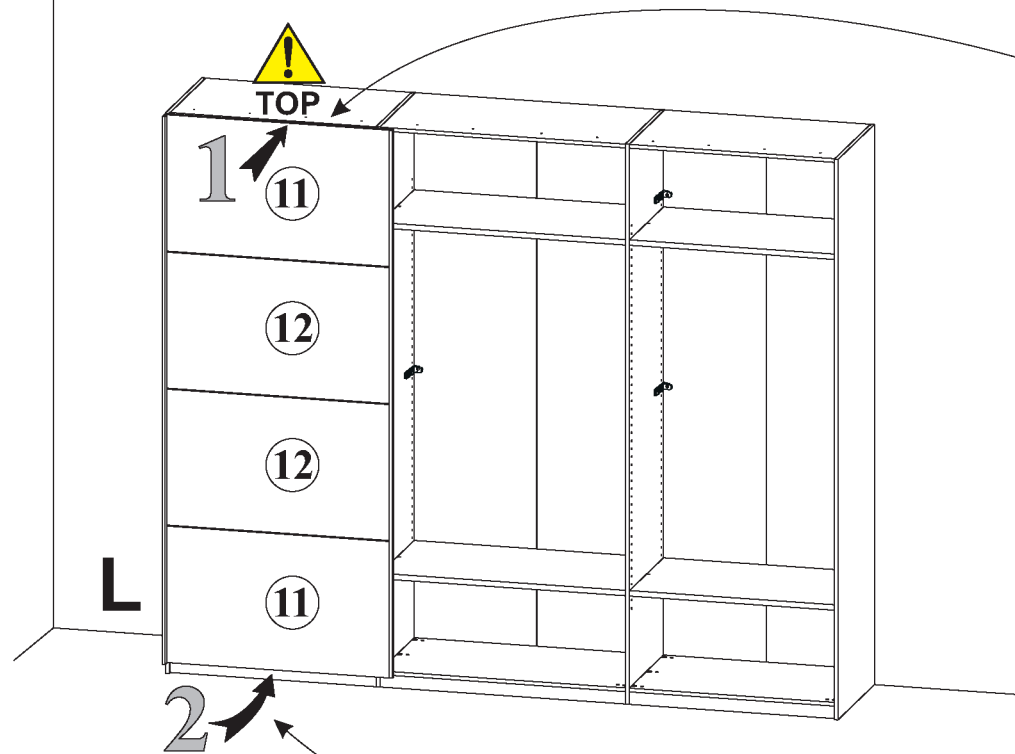
- P13**  3,5x13 X16
- L5**  L=2200 mm X1
- C60**  X1



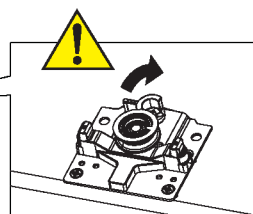
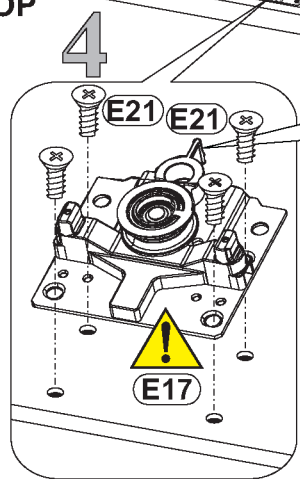
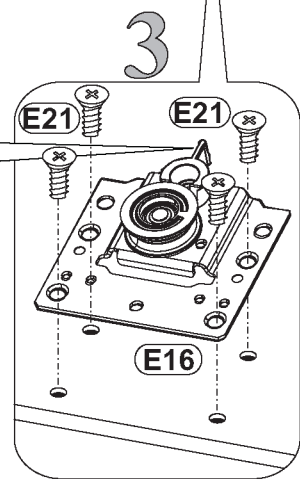
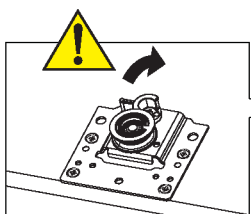
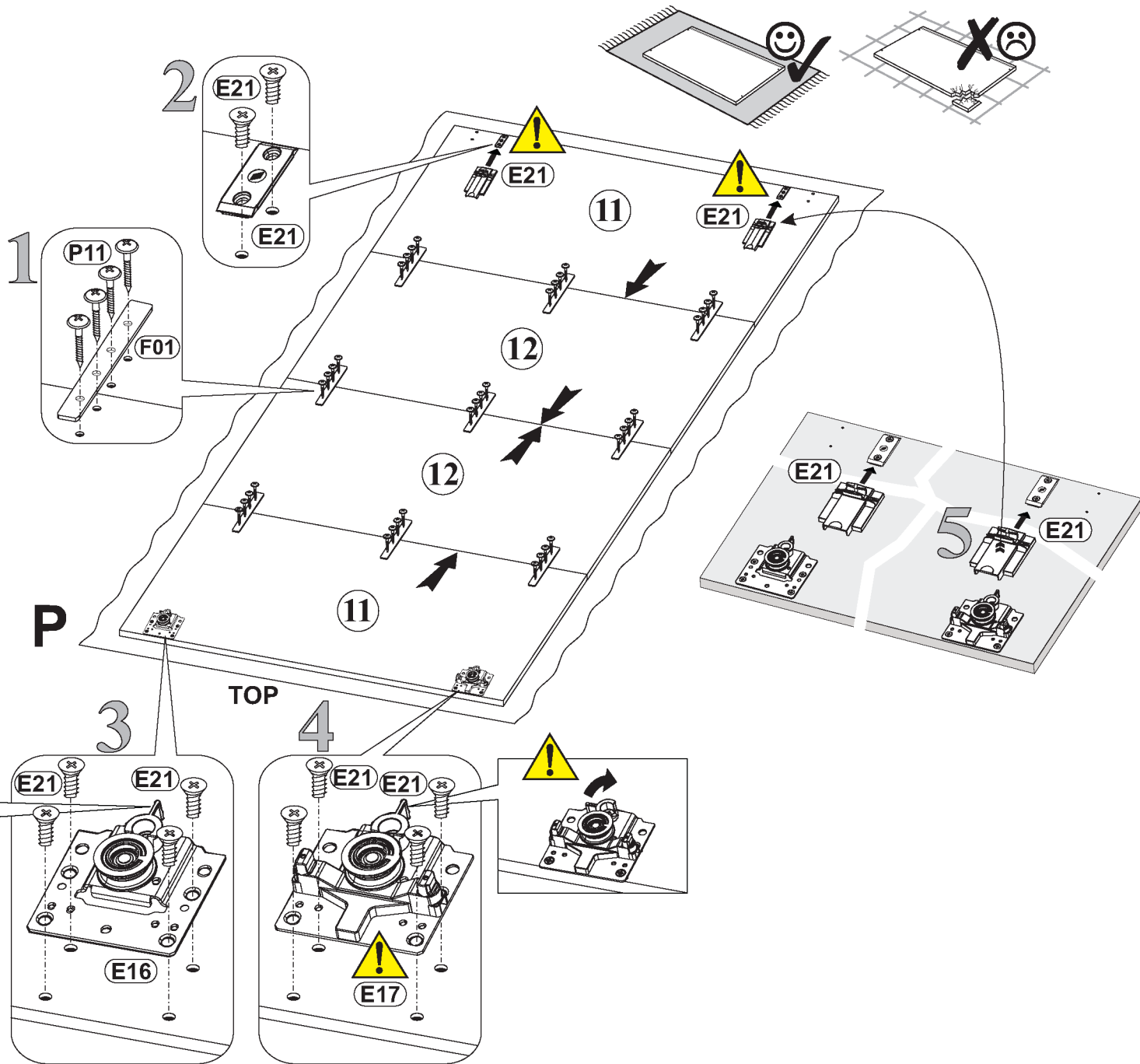
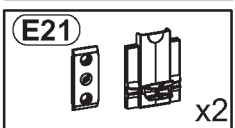
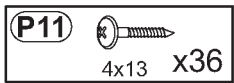
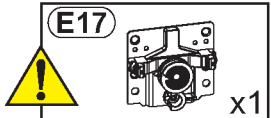
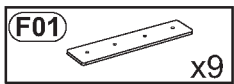
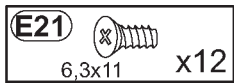
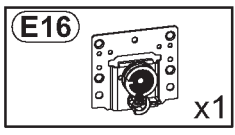
L

TOP



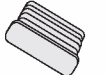
19

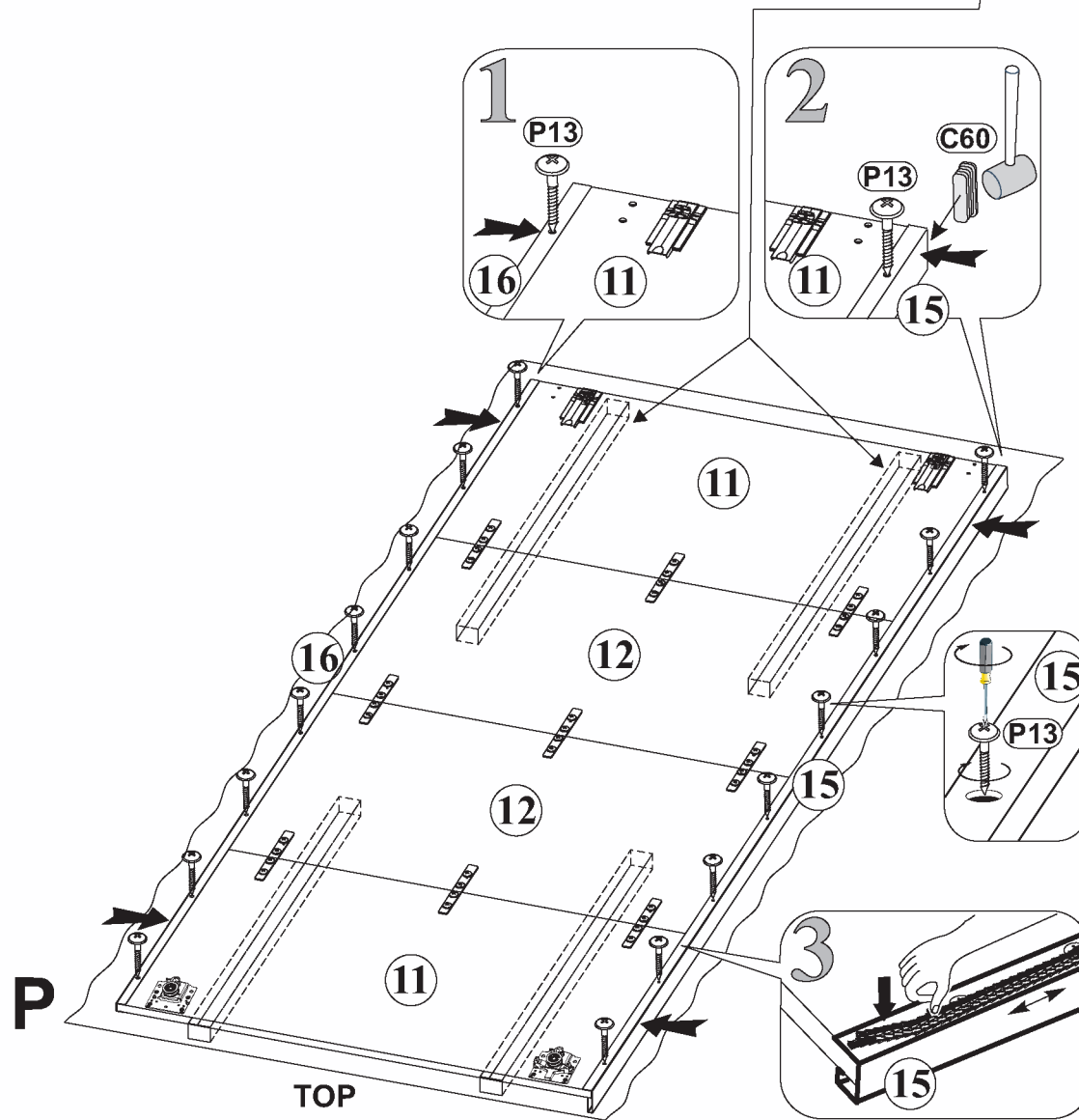
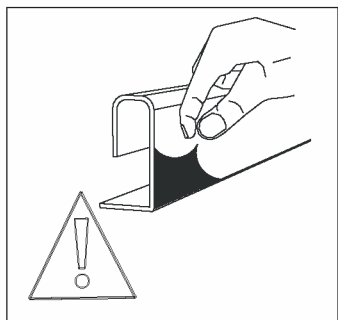
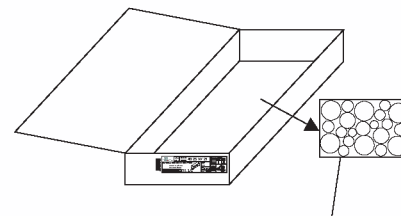
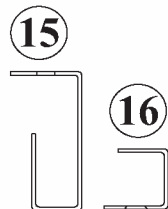


20

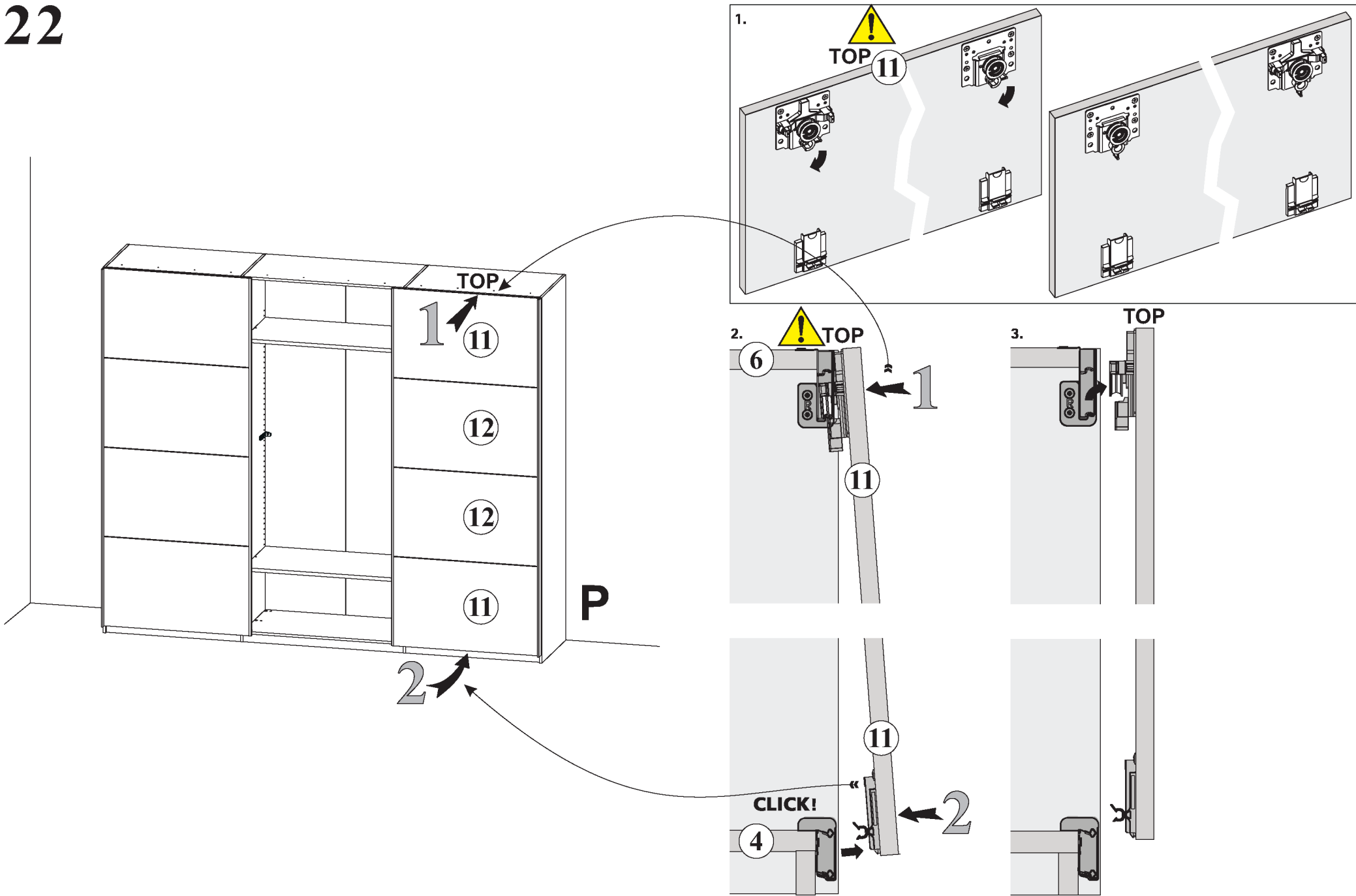


21

- P13**  3,5x13 X16
- L5**  L=2200 mm X1
- C60**  X1



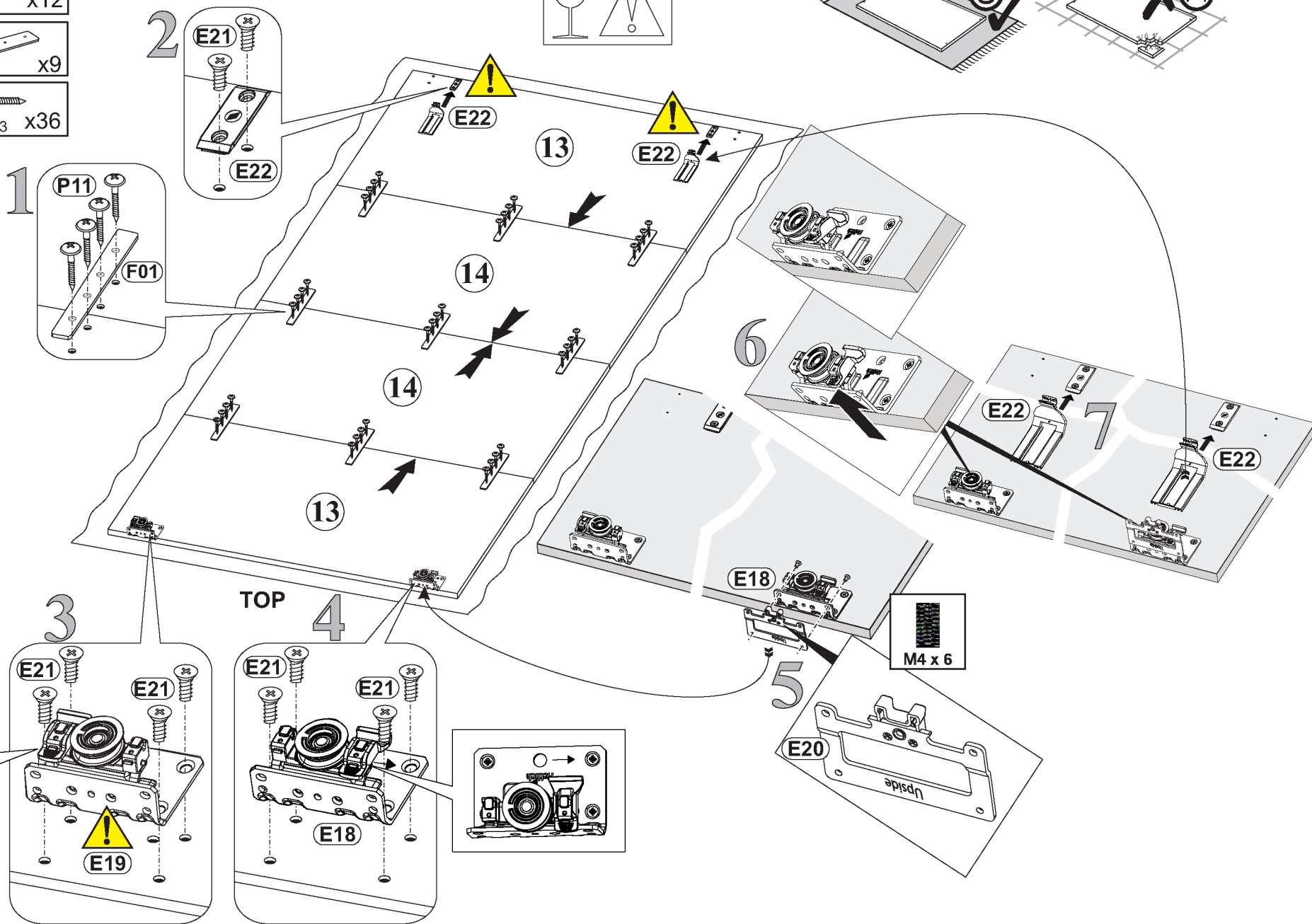
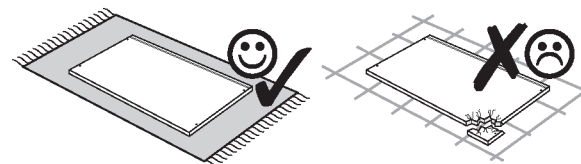
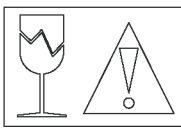
22



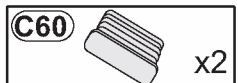
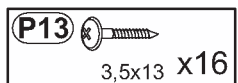
23

- E21** 6,3x11 x12
- F01** x9
- P11** 4x13 x36

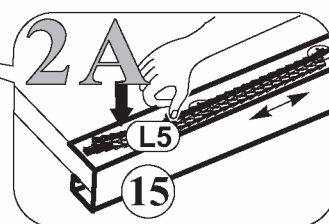
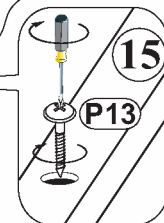
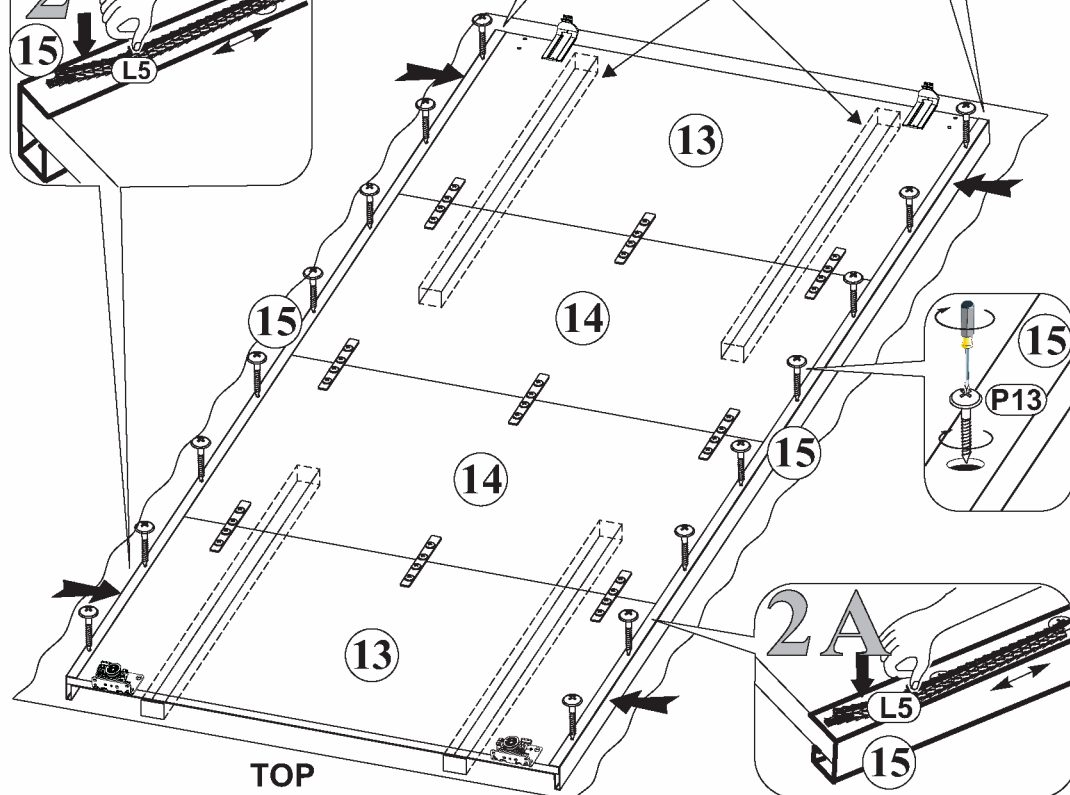
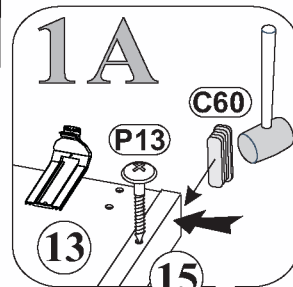
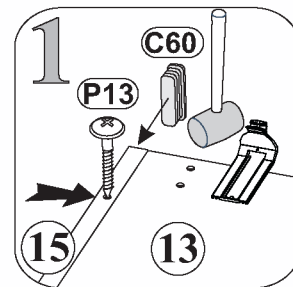
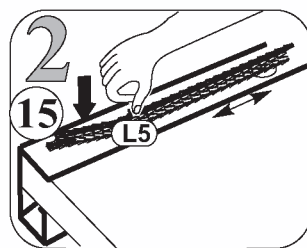
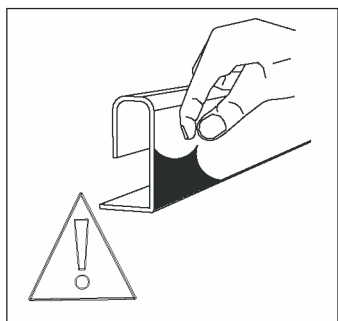
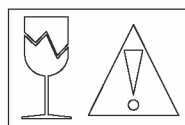
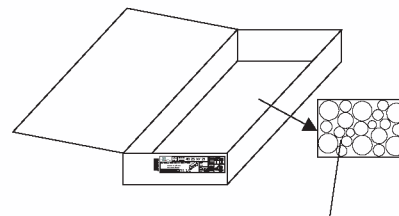
- E18** x1
- E19** x1
- E20** M4 x 6 x1
- E22** x2



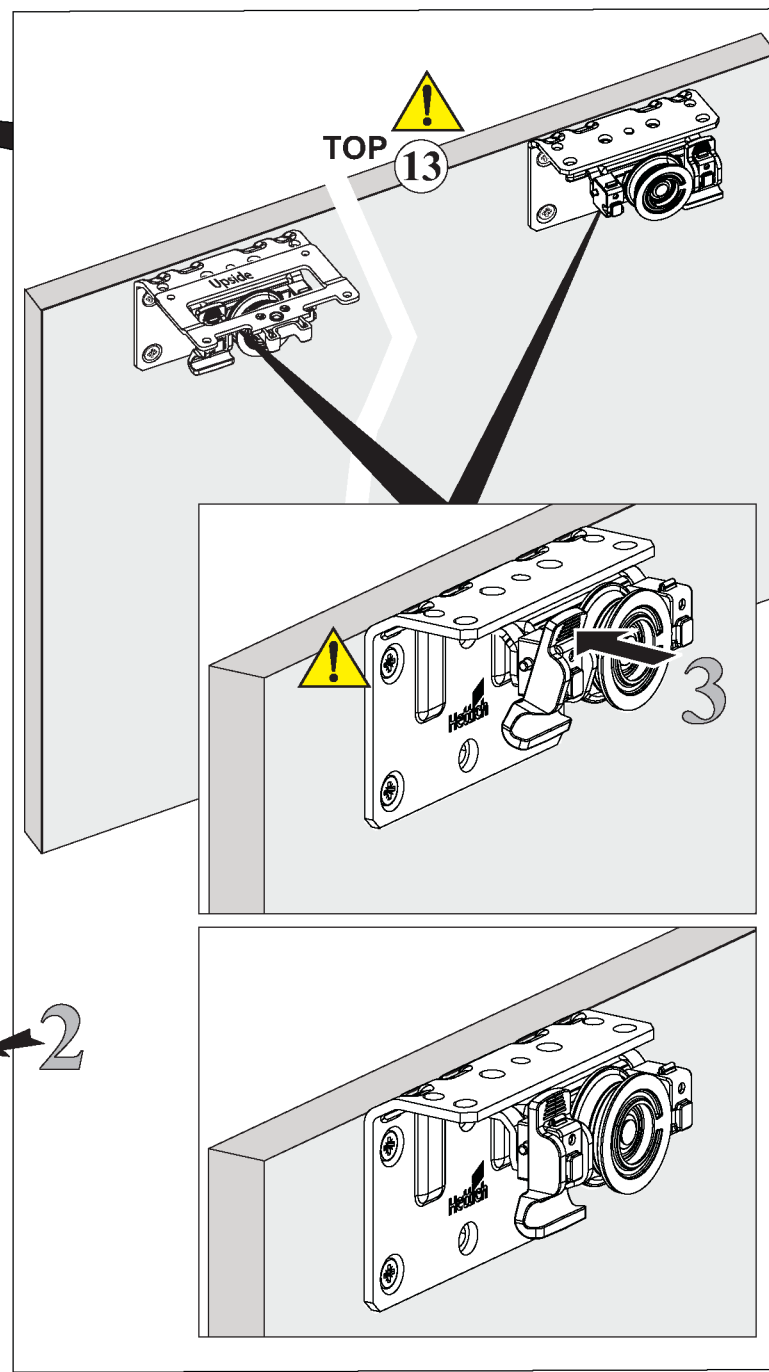
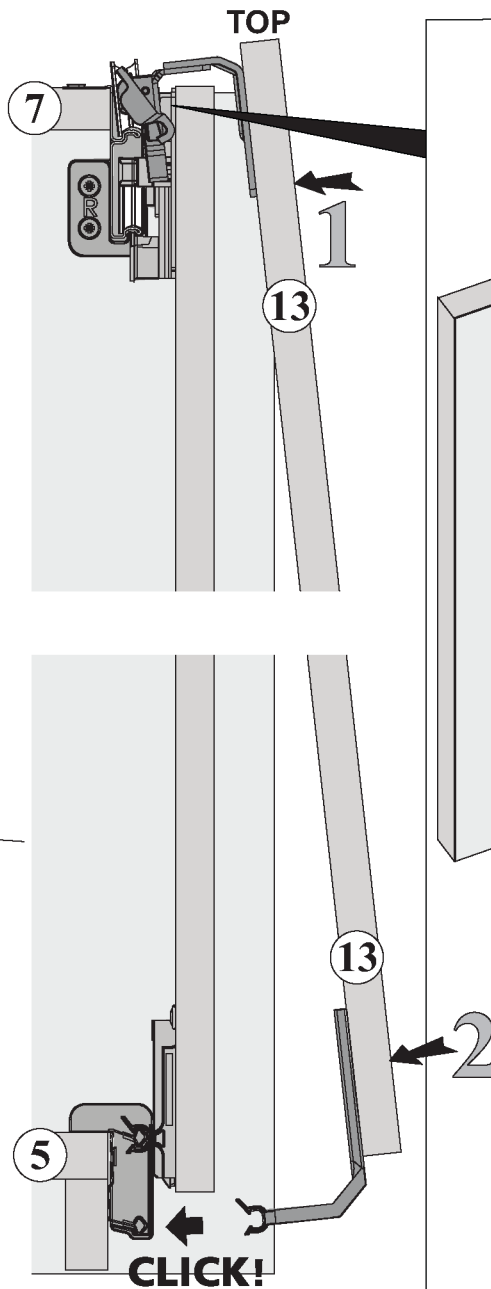
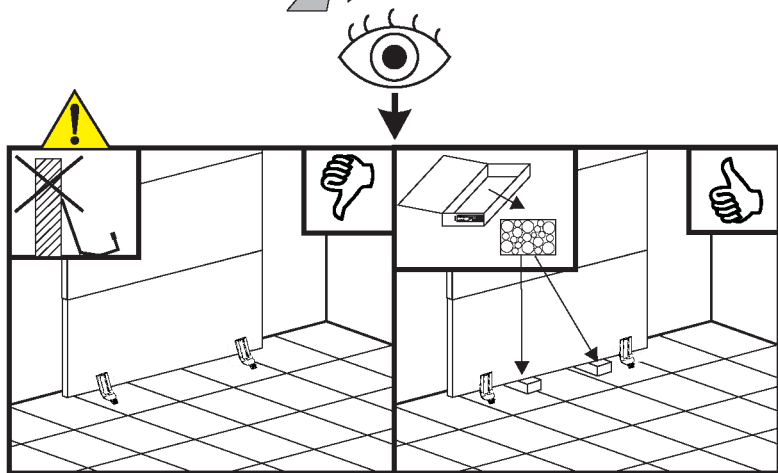
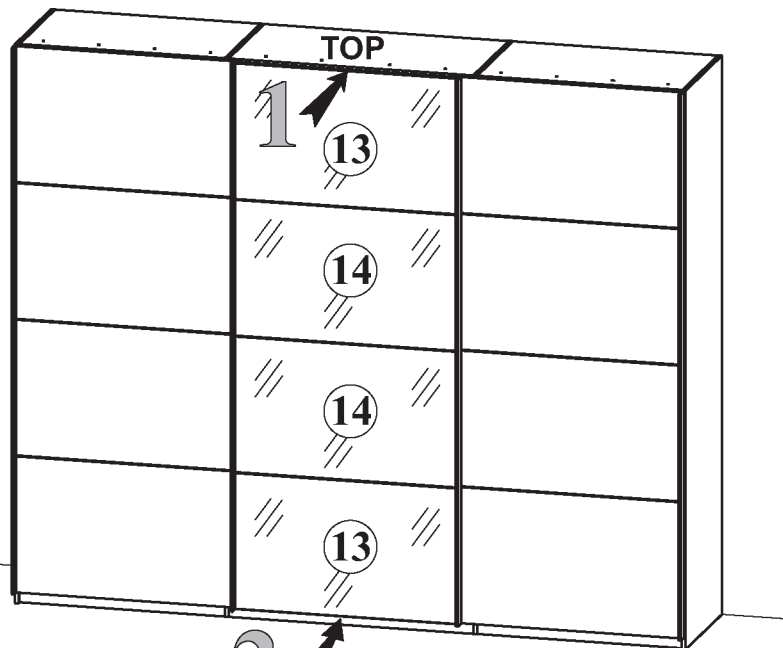
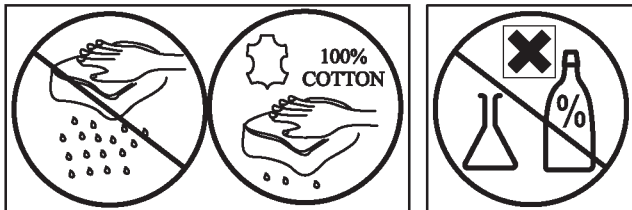
24



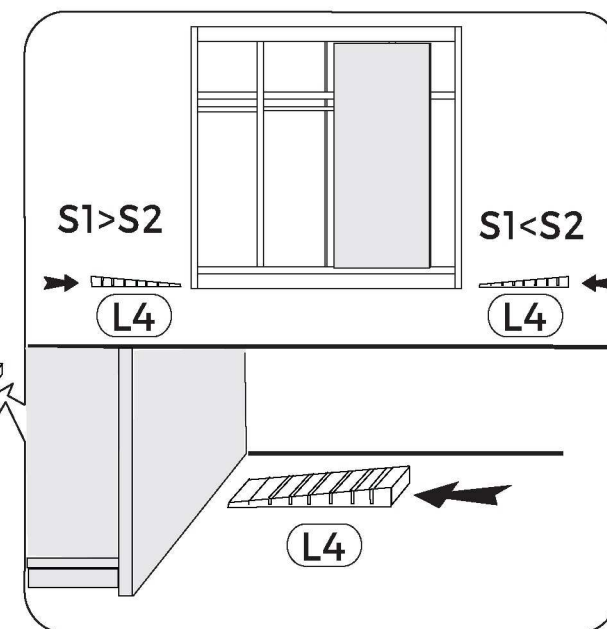
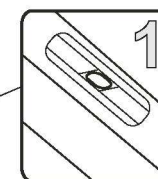
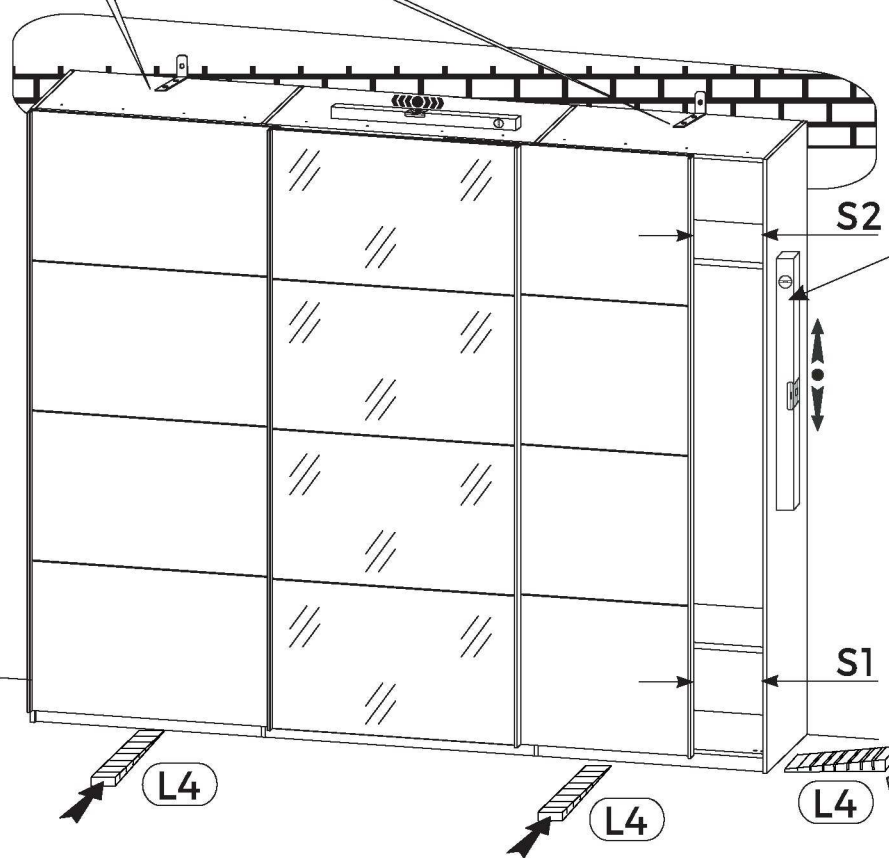
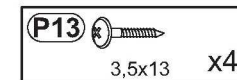
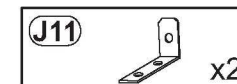
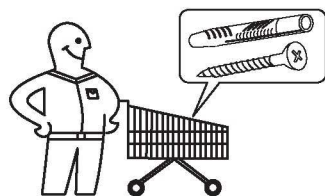
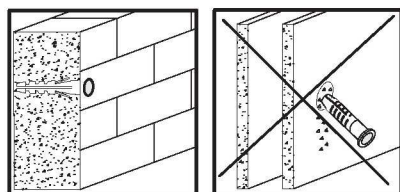
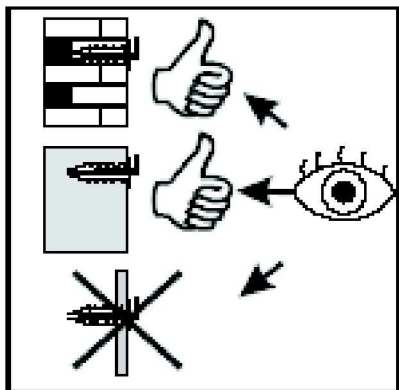
15 X2

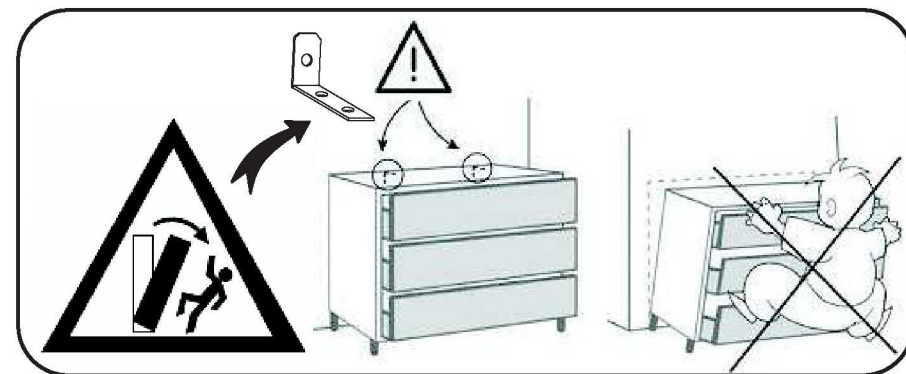
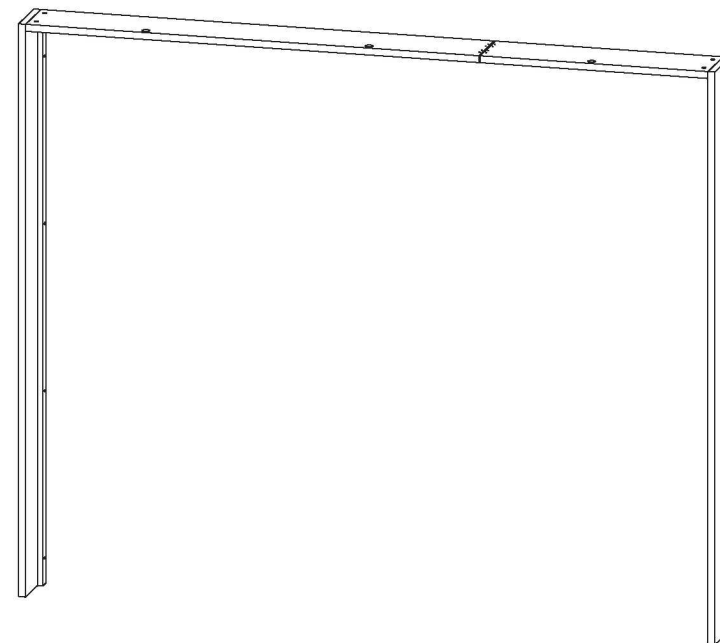
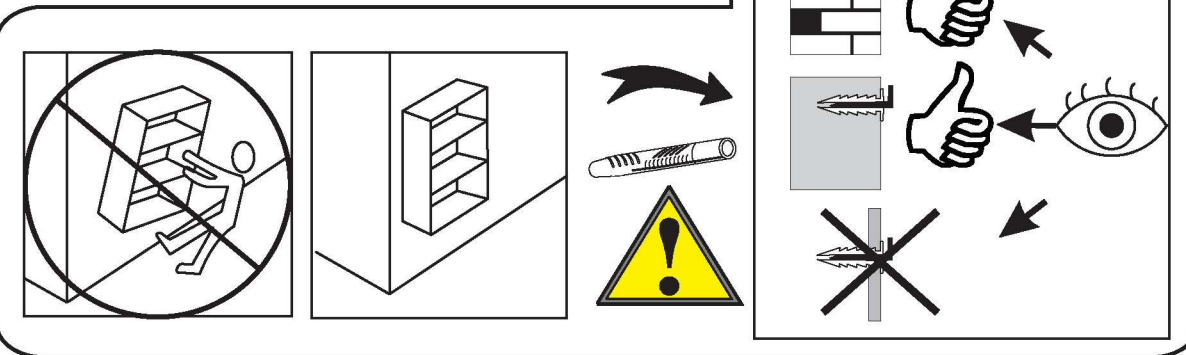
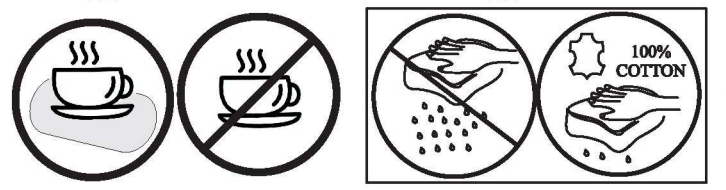
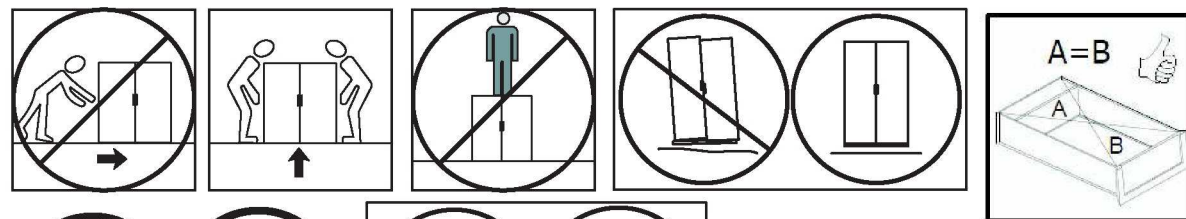
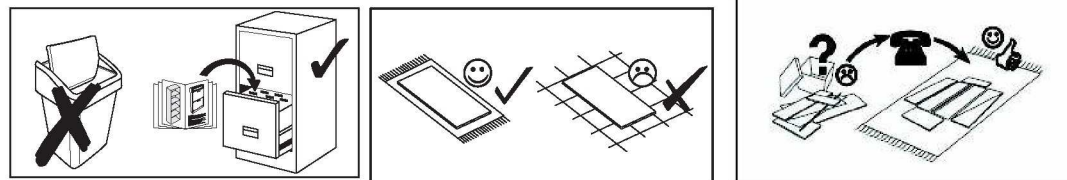
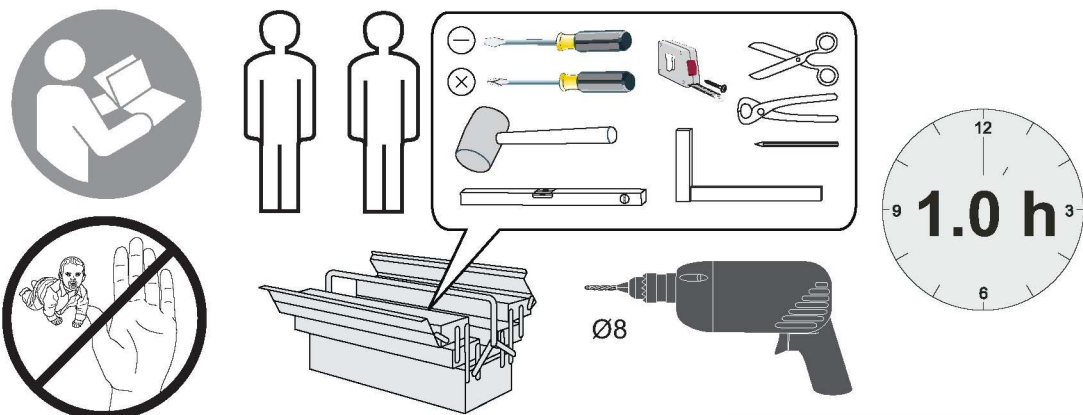


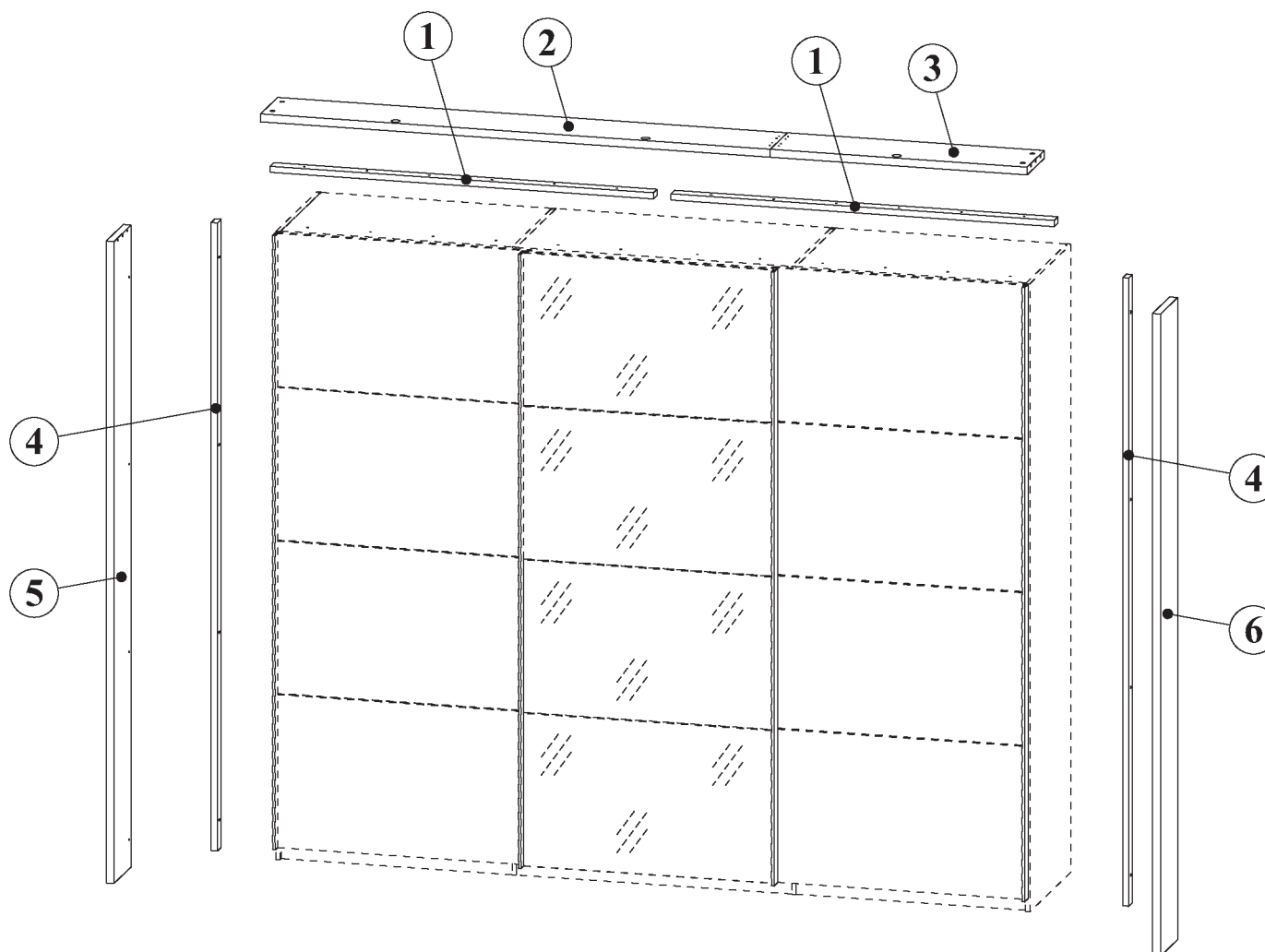
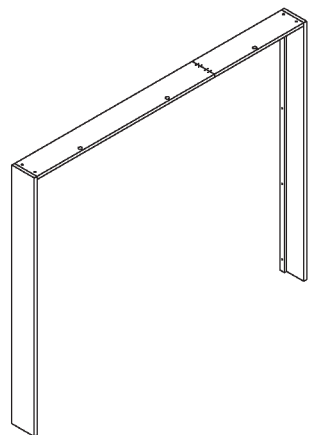
25

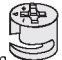
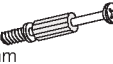

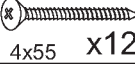
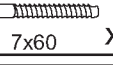
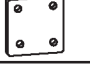
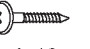



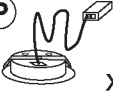

26







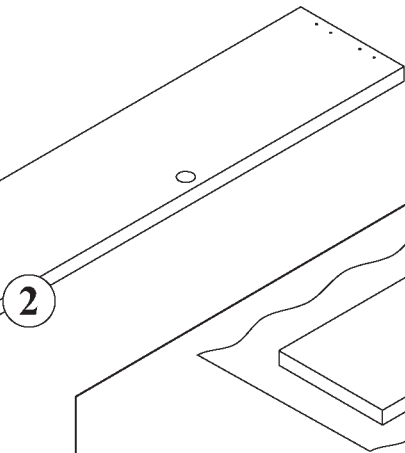
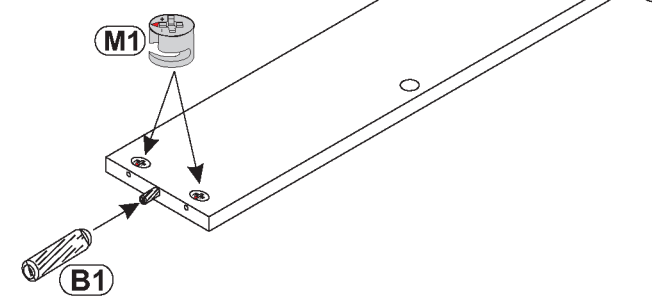
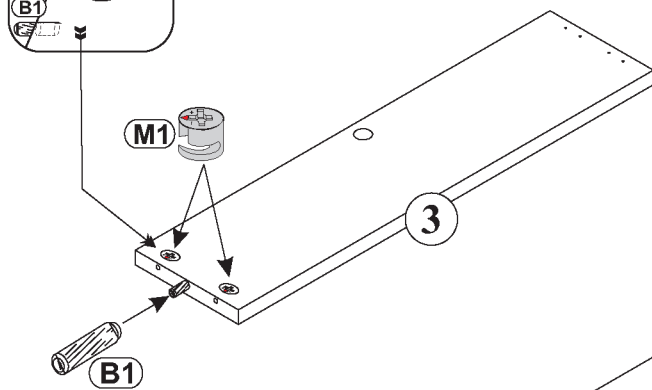
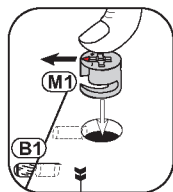
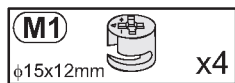
- Nr 1**
- M1**  $\phi 15 \times 12 \text{mm}$ x4
 - T1**  5x39mm x4
 - B1**  $\phi 8 \times 28$ x2
 - S17**  4x55 x12
 - K7**  7x60 x8
 - F18**  x2
 - P16**  4x16 x8
 - G7**  S4 x1

- Nr 1**
- B-G P**  x3
 - O21**  MAX 6 W x1

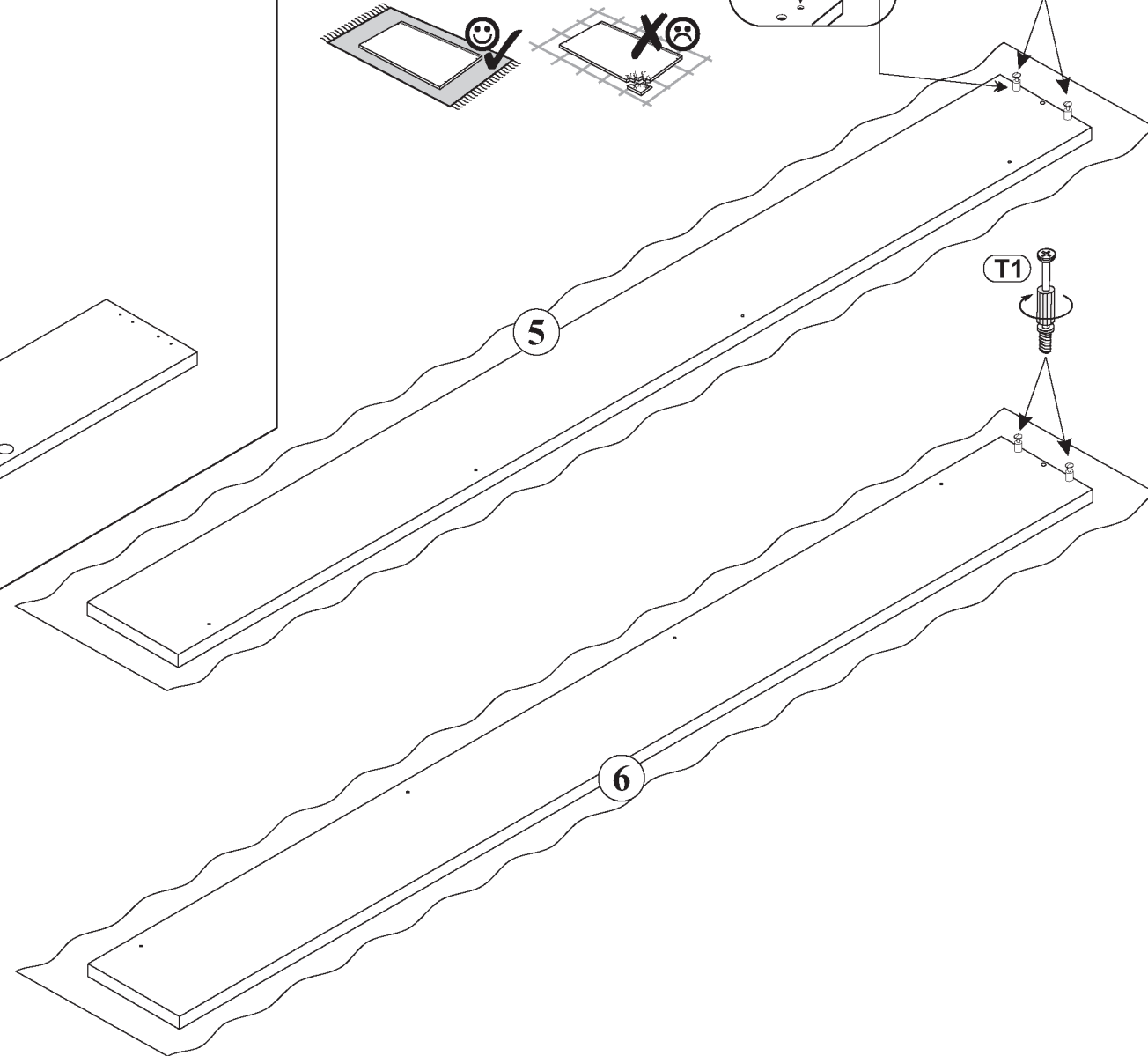
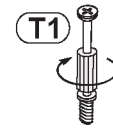
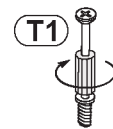
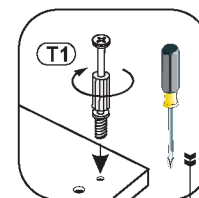
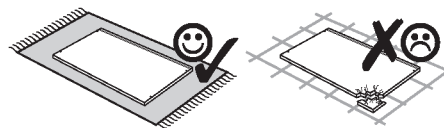
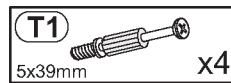
1	1372,5x50x22	2	1/1
2	1825x229x28	1	1/1
3	920x229x28	1	1/1
4	2250x50x22	2	1/1
5	2300x230x28	1	1/1
6	2300x230x28	1	1/1



1

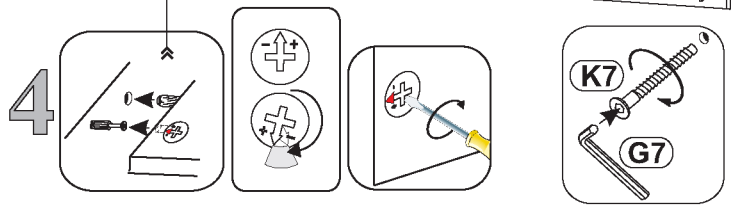
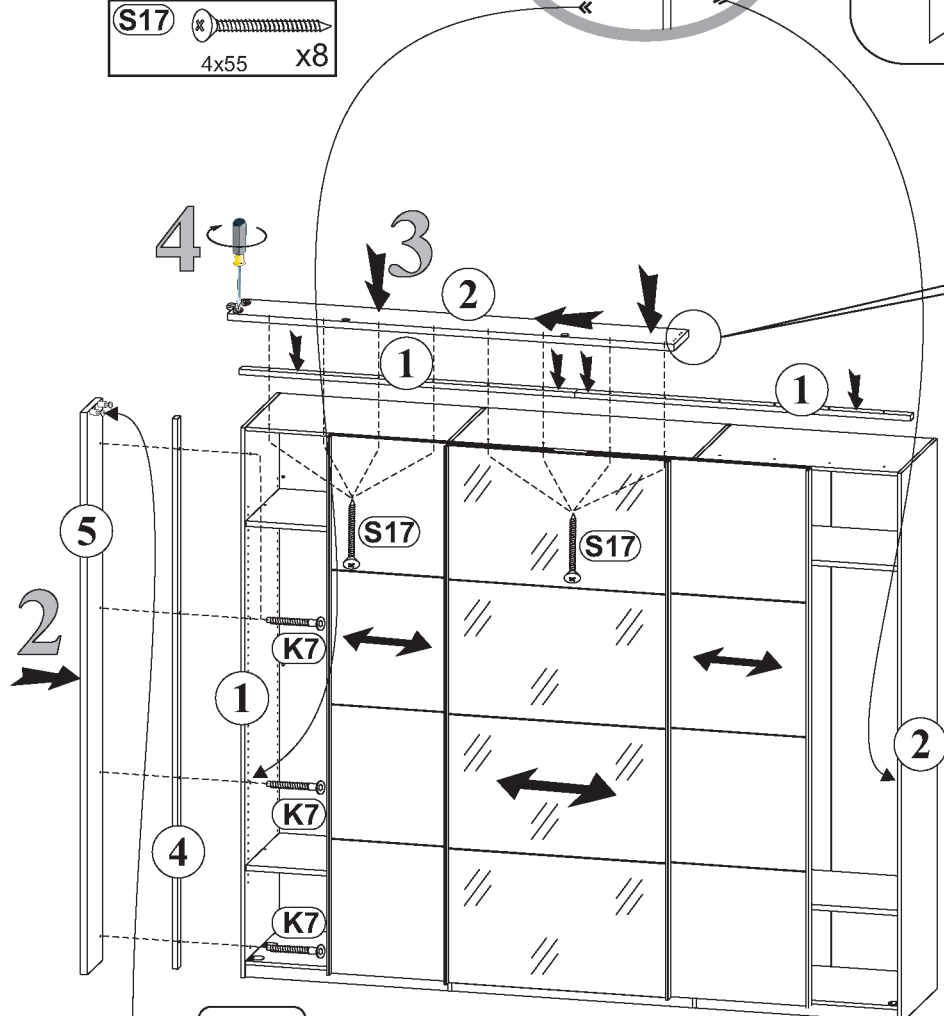
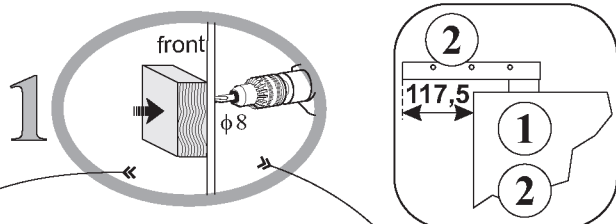


2



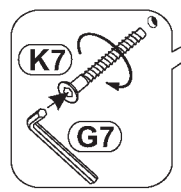
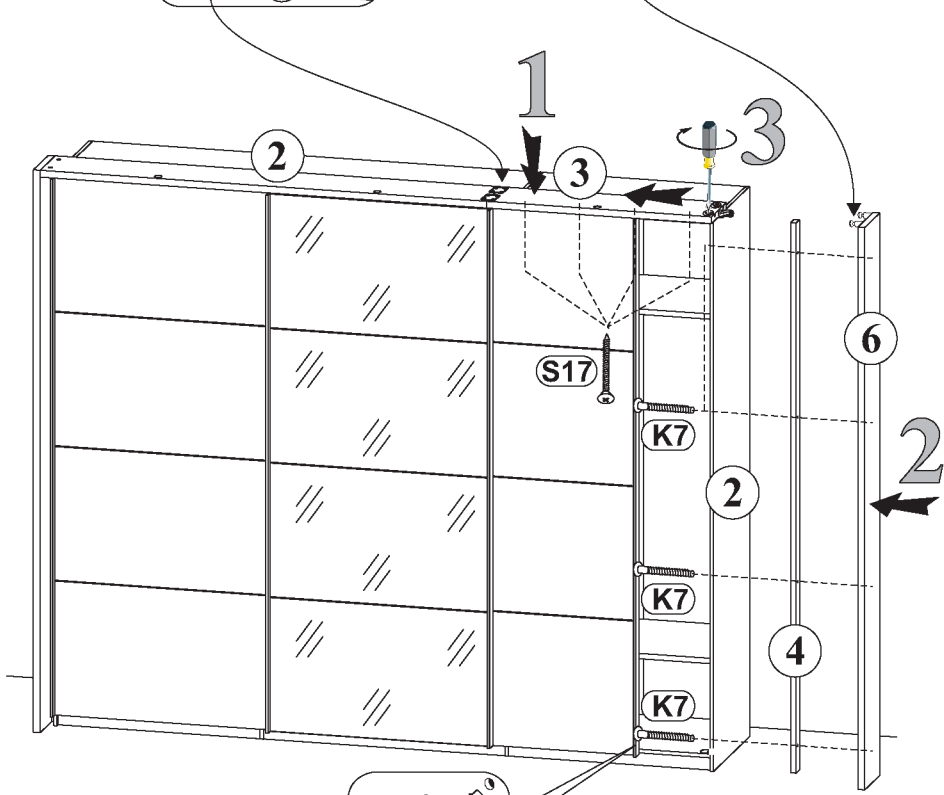
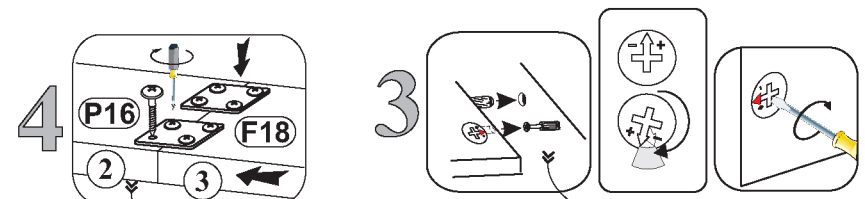
3

- (K7)** 7x60 x4
- (G7)** S4 x1
- (S17)** 4x55 x8



4

- (K7)** 7x60 x4
- (F18)** x2
- (S17)** 4x55 x4
- (G7)** S4 x1
- (P16)** 4x16 x8



5

