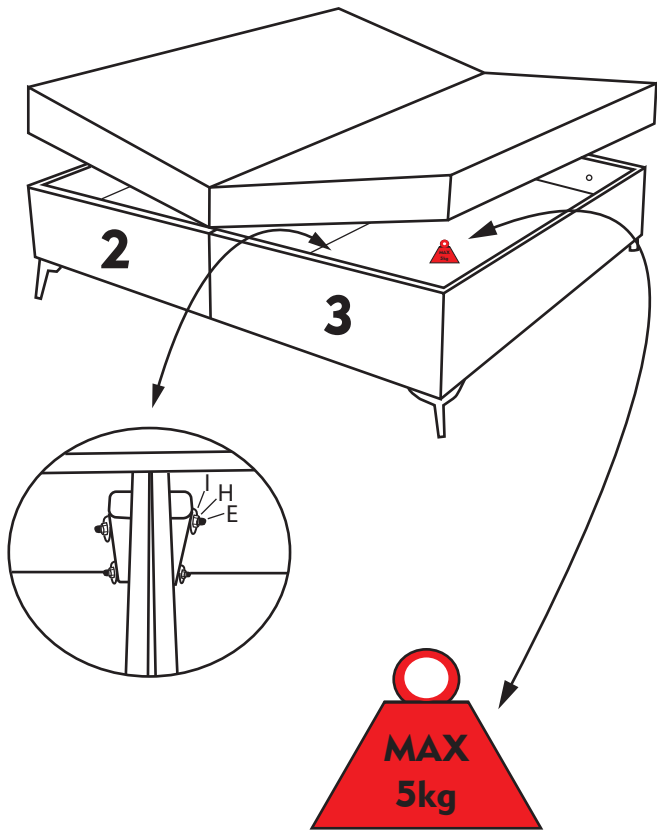
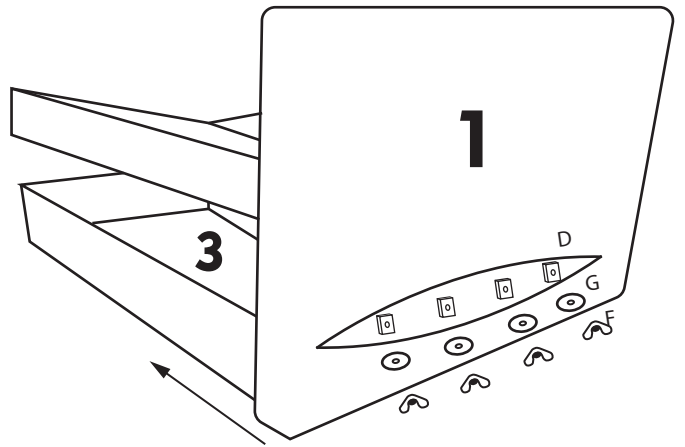


2



3

- | | | | |
|----------------|------------|------------|---------------------|
| 8X80mm
J x4 | M8
F x4 | M8
G x4 | 100x50x20mm
D x4 |
|----------------|------------|------------|---------------------|



4

