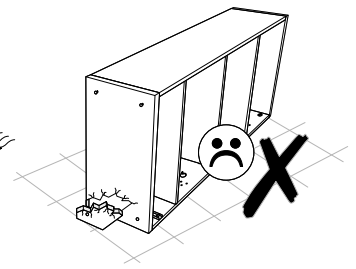
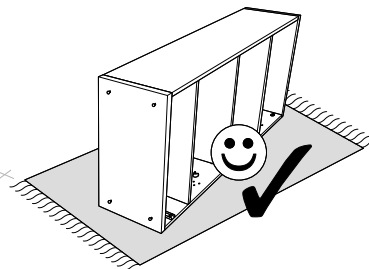
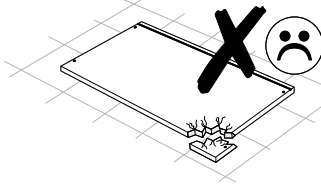
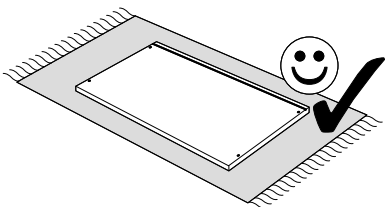
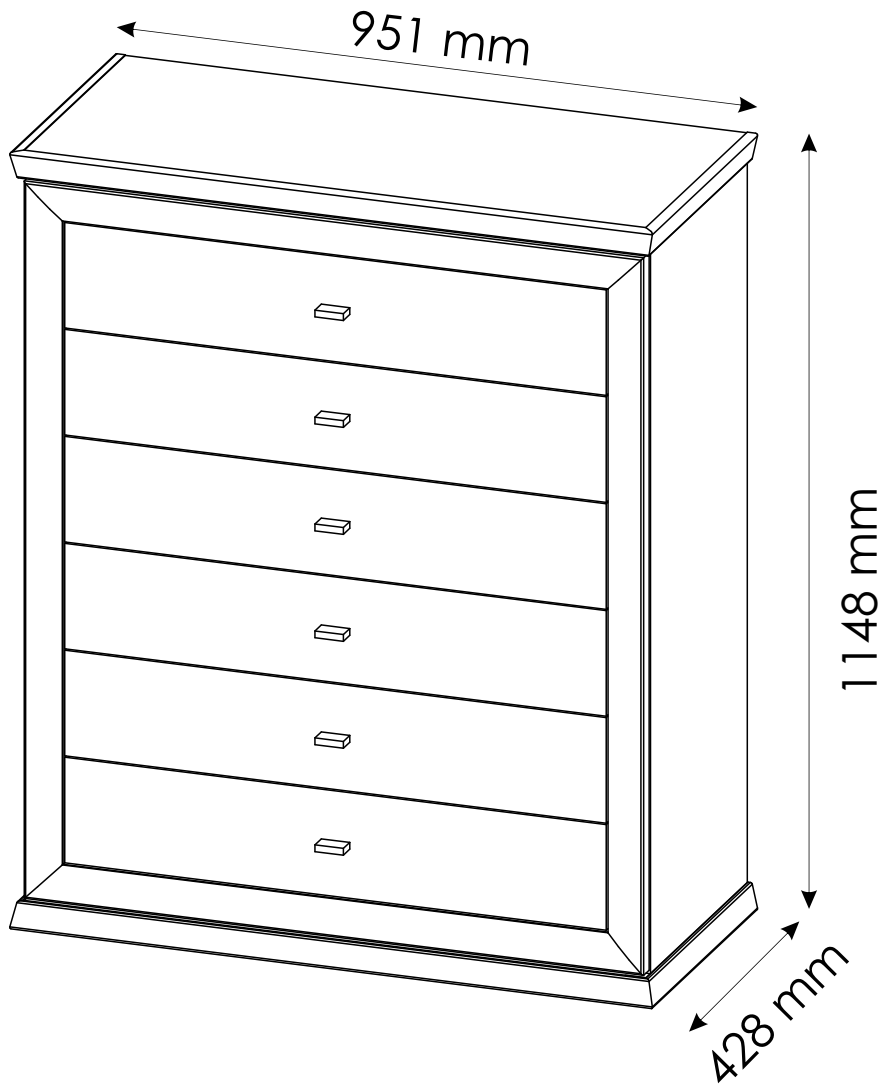
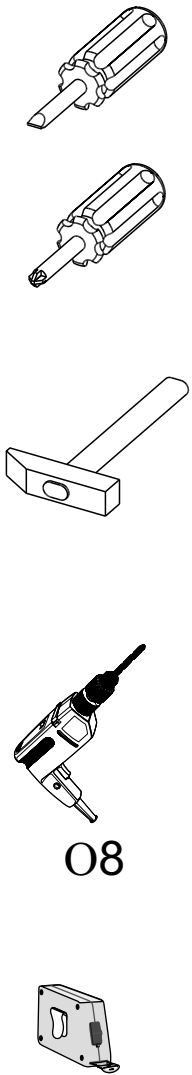
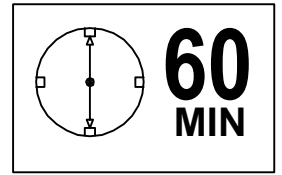
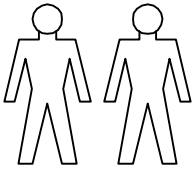






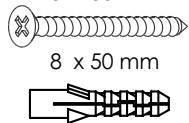




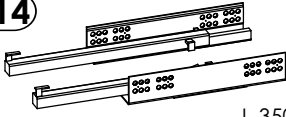
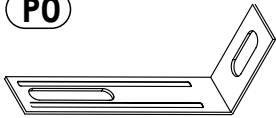



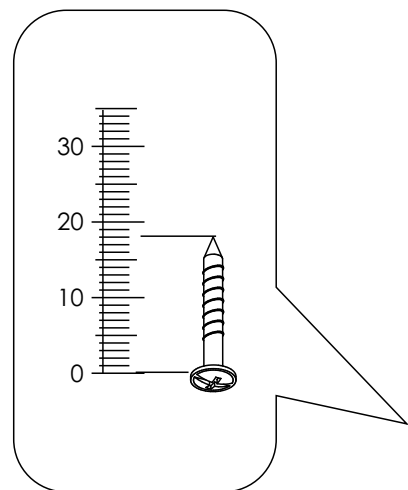
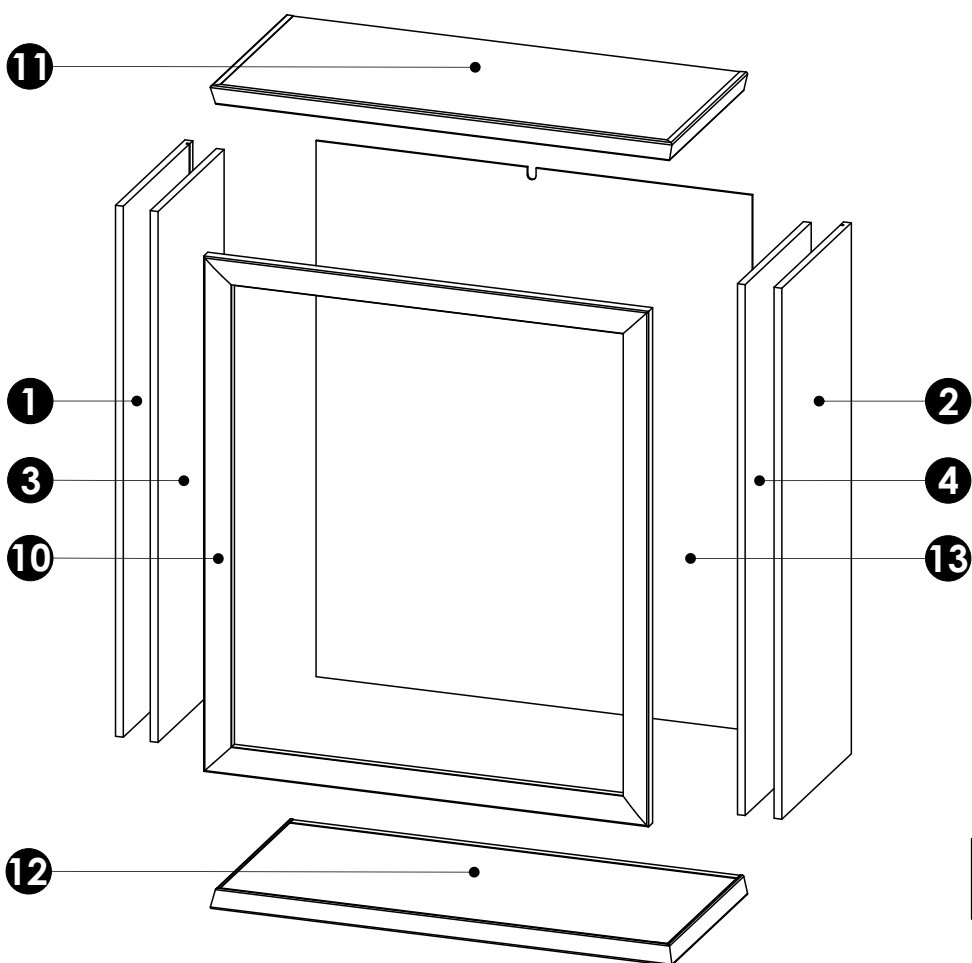
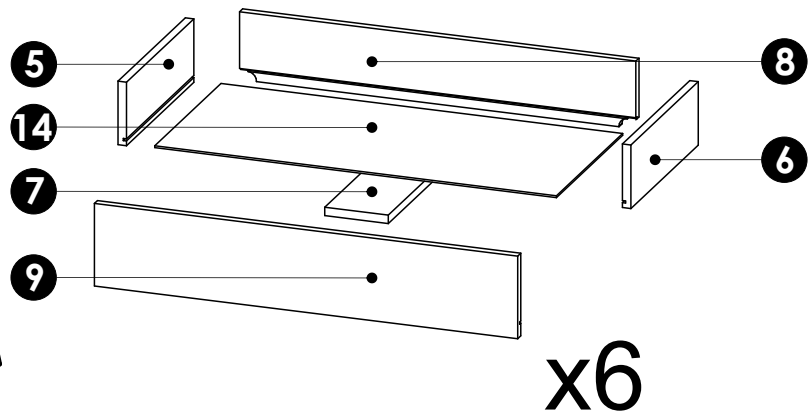
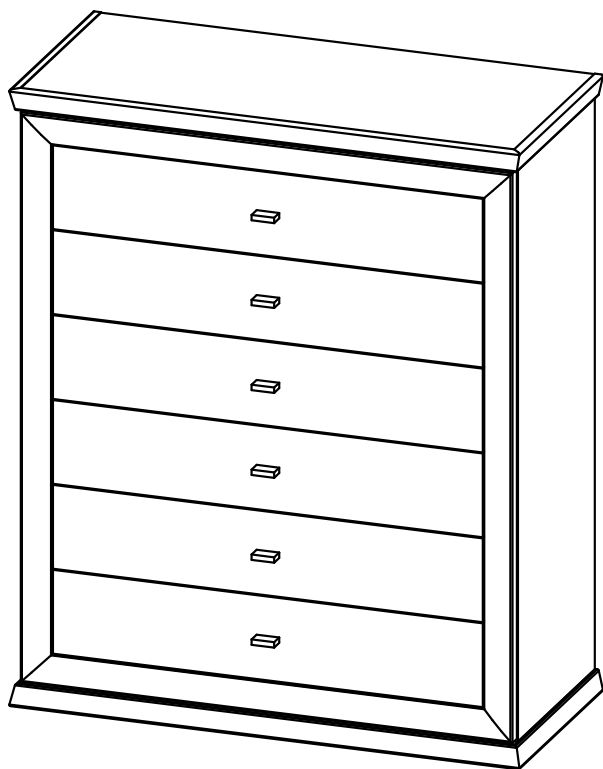



CAMRON / BENTON KOMMODE , Typ 6L

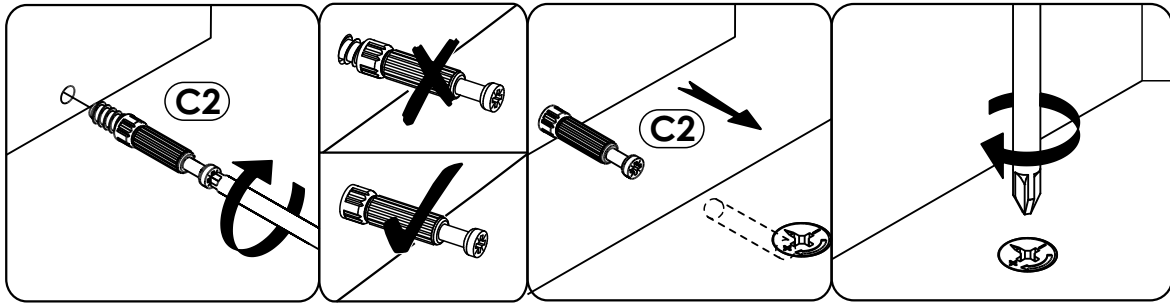


B1 f 7 x 50 mm x18 	C0 x24 	C2 x50 	MM 260 250 240 230 220 210 200 190 180 170 160 150 140 130 120 110 100 90 80 70 60 50 40 30 20 10 0
D0 3 x 15 mm x16 	D21 5 x 13 mm x1 	D31 6,3 x 13 mm x48 	
E0 5 x 50 mm x1 8 x 50 mm 	H2 4 x 22 mm x12 	K x1 4mm 	
L6 x6 	M1 x16 	N14 x6 L-350mm 	
P0 x1 	U2 x4 	LOGO... x1 	
U3* x12  *MODEL CAMRON			

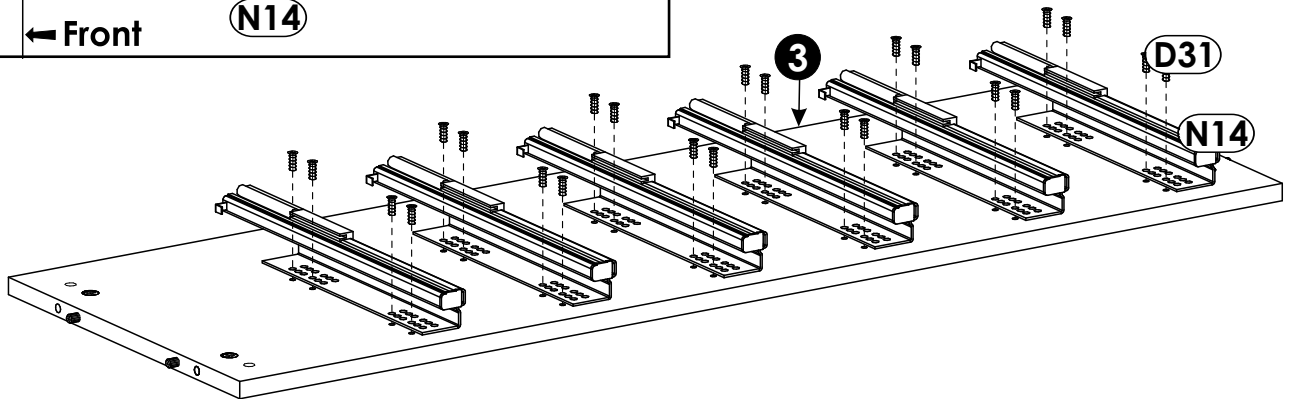
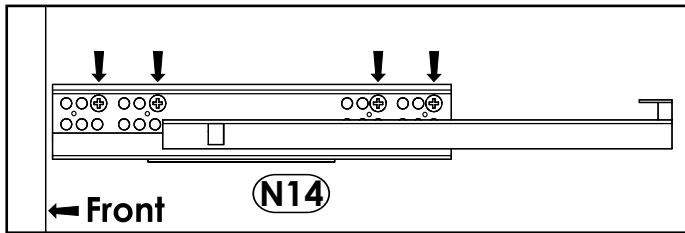
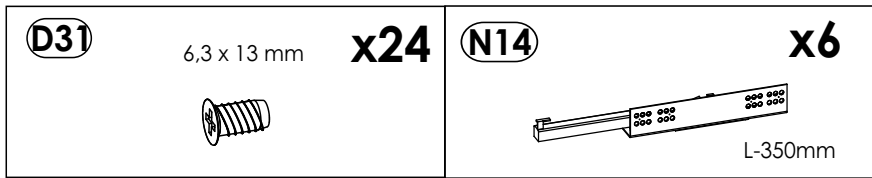




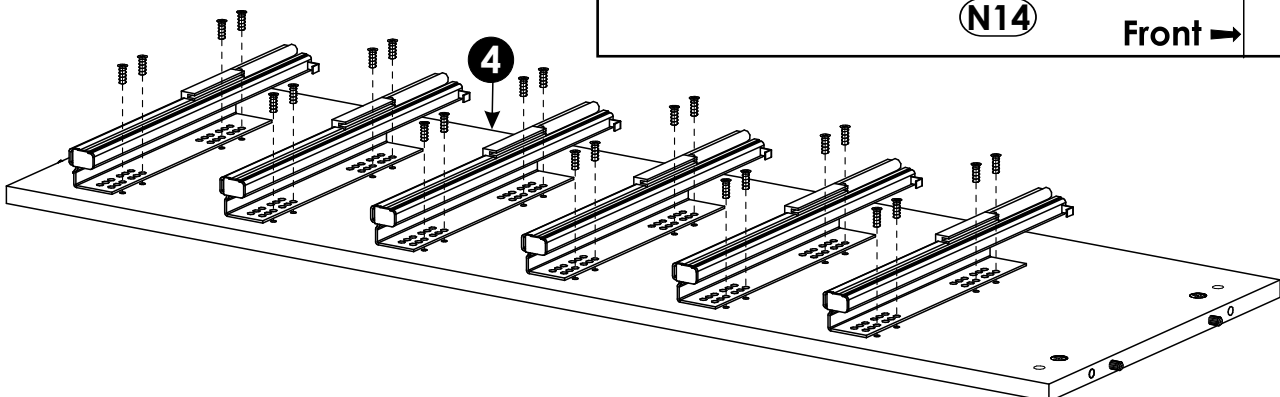
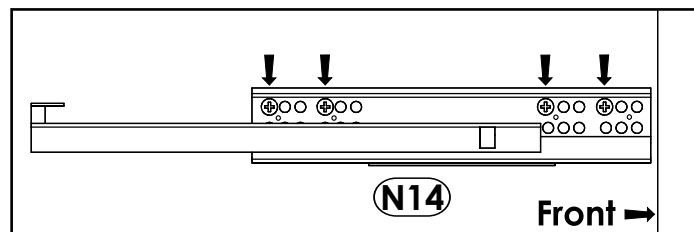
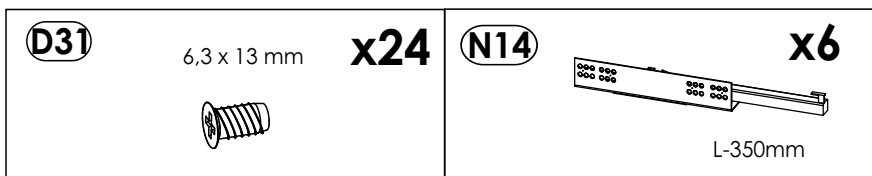
1	1092	393	16	x1	1/3
2	1092	393	16	x1	1/3
3	1092	373	16	x1	1/3
4	1092	373	16	x1	1/3
5	350	120	16	x6	1/3
6	350	120	16	x6	1/3
7	334	120	16	x6	1/3
8	749	128	16	x6	2/3
9	800	156	16	x6	2/3
10	1060	915	25	x1	2/3
11	951	428	40	x1	3/3
12	951	428	40	x1	3/3
13	1102	897	2.8	x1	2/3
14	759	344	2.8	x6	2/3
					1/3





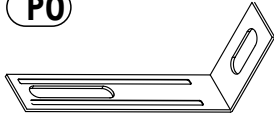
1 ▶

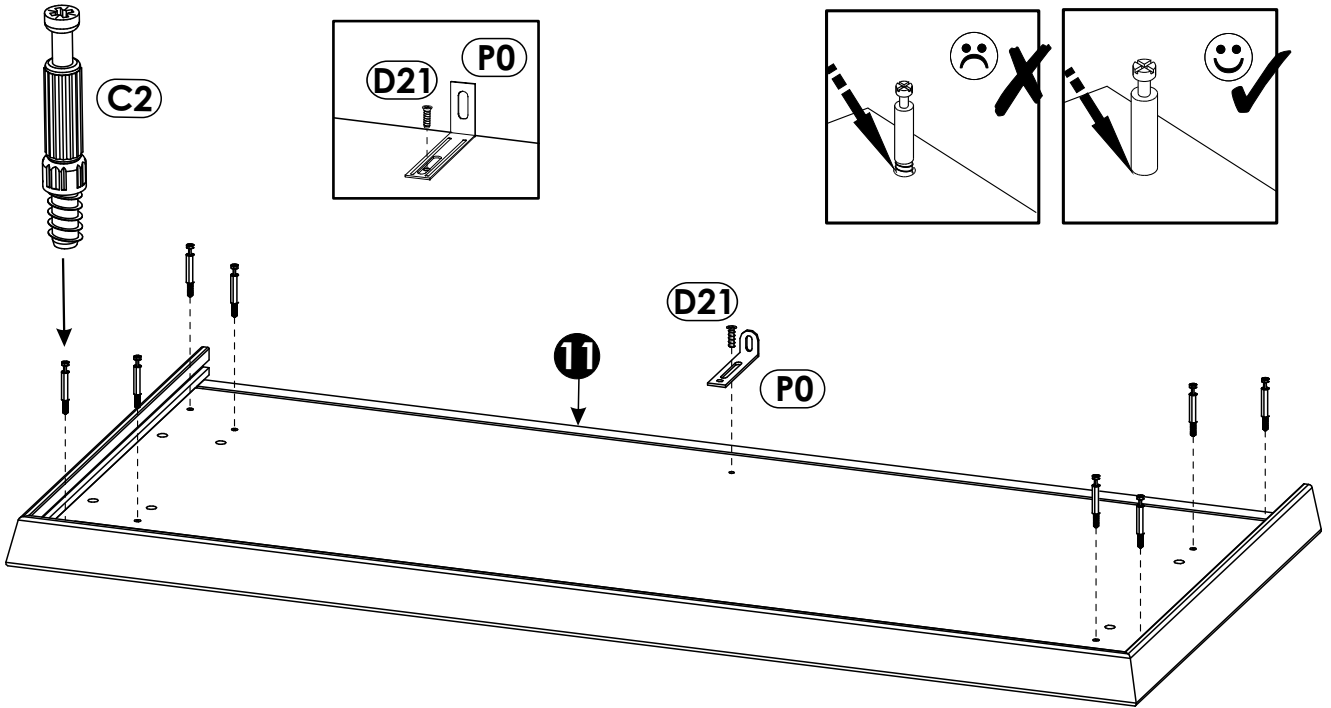


2 ▶





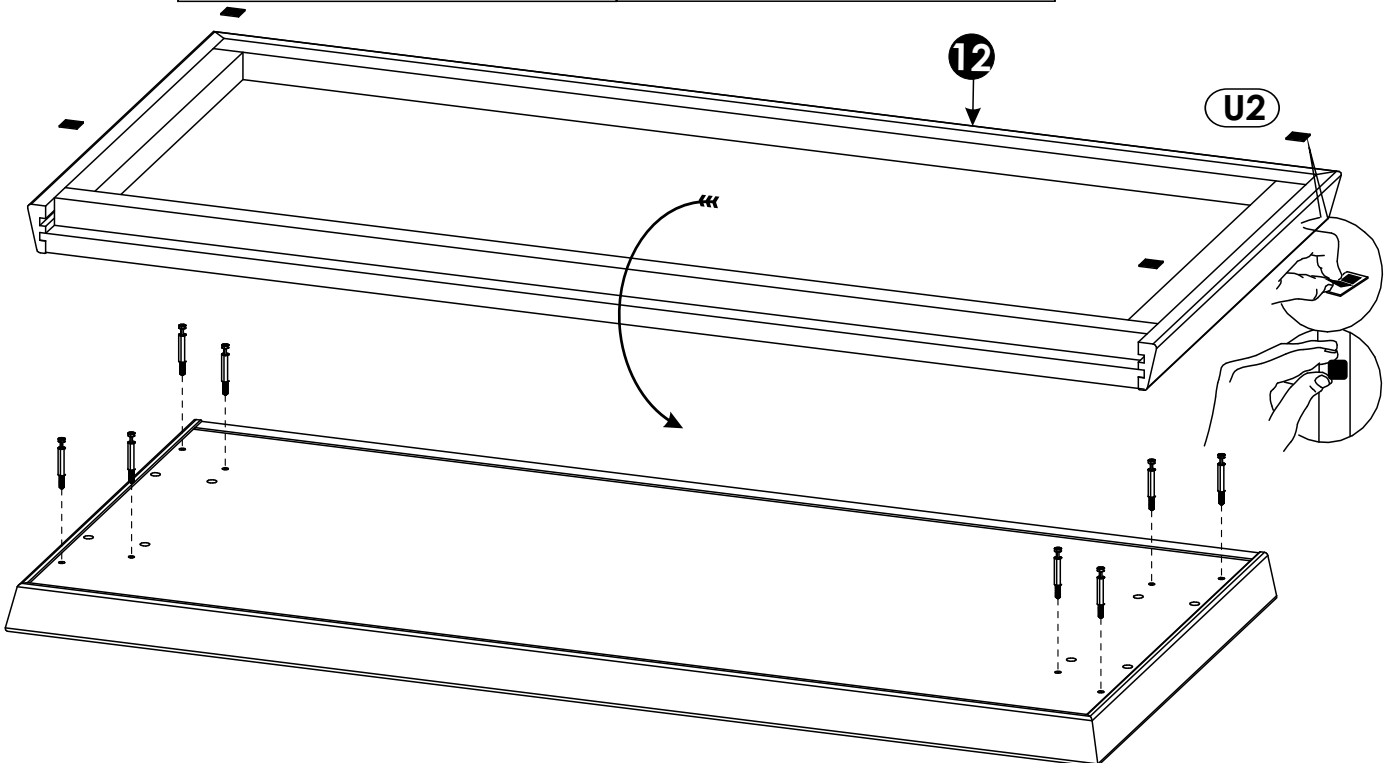
3 ▶

C2 	x8	D21 5 x 13 mm 	x1	P0 	x1
--	-----------	--	-----------	--	-----------

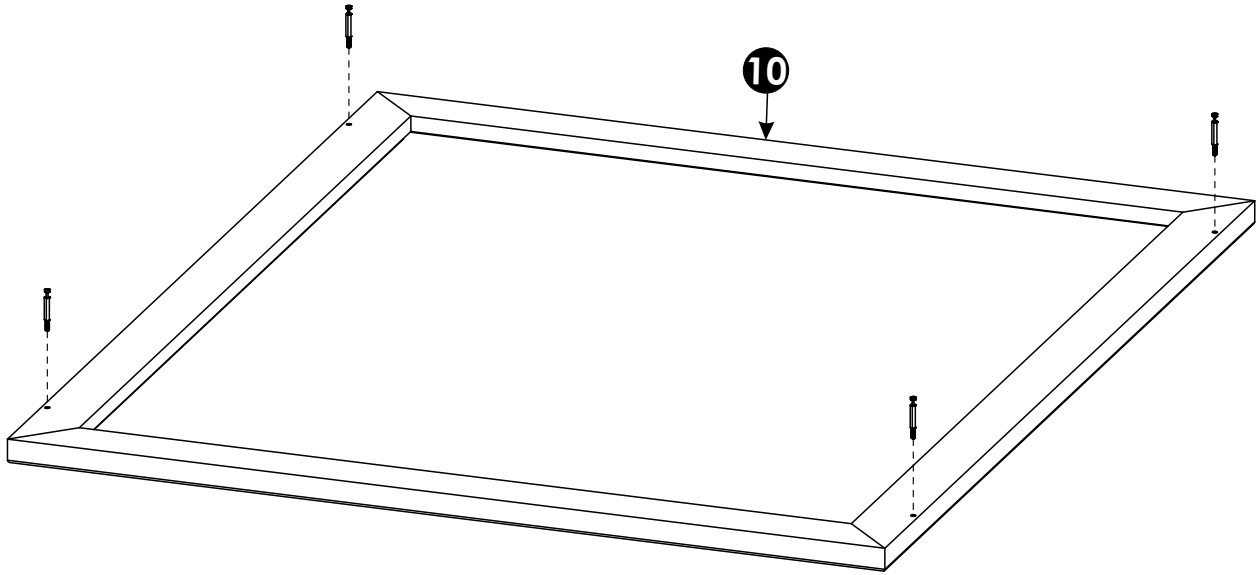
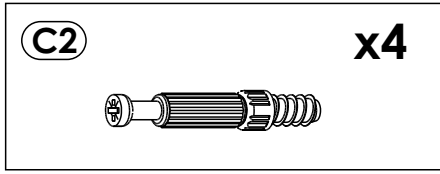


4 ▶

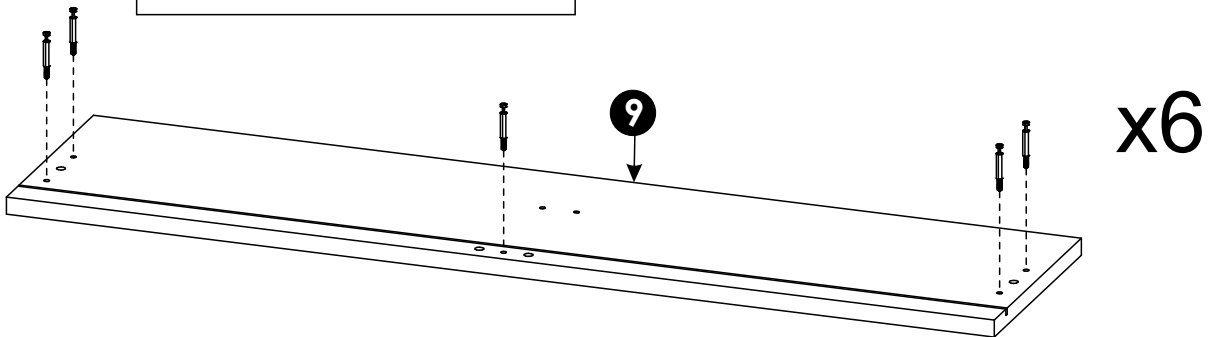
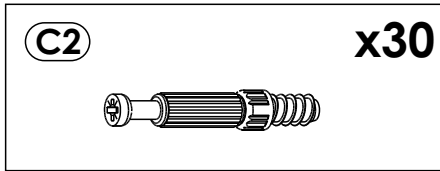
C2 	x8	U2 	x4
--	-----------	--	-----------



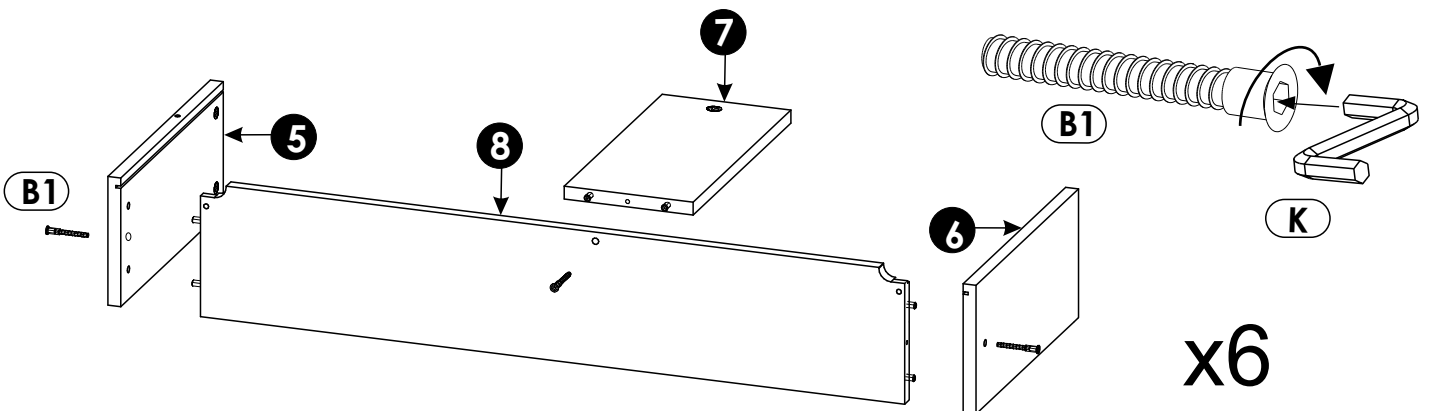
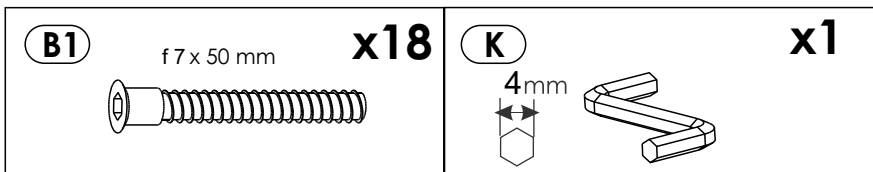
5 ▶



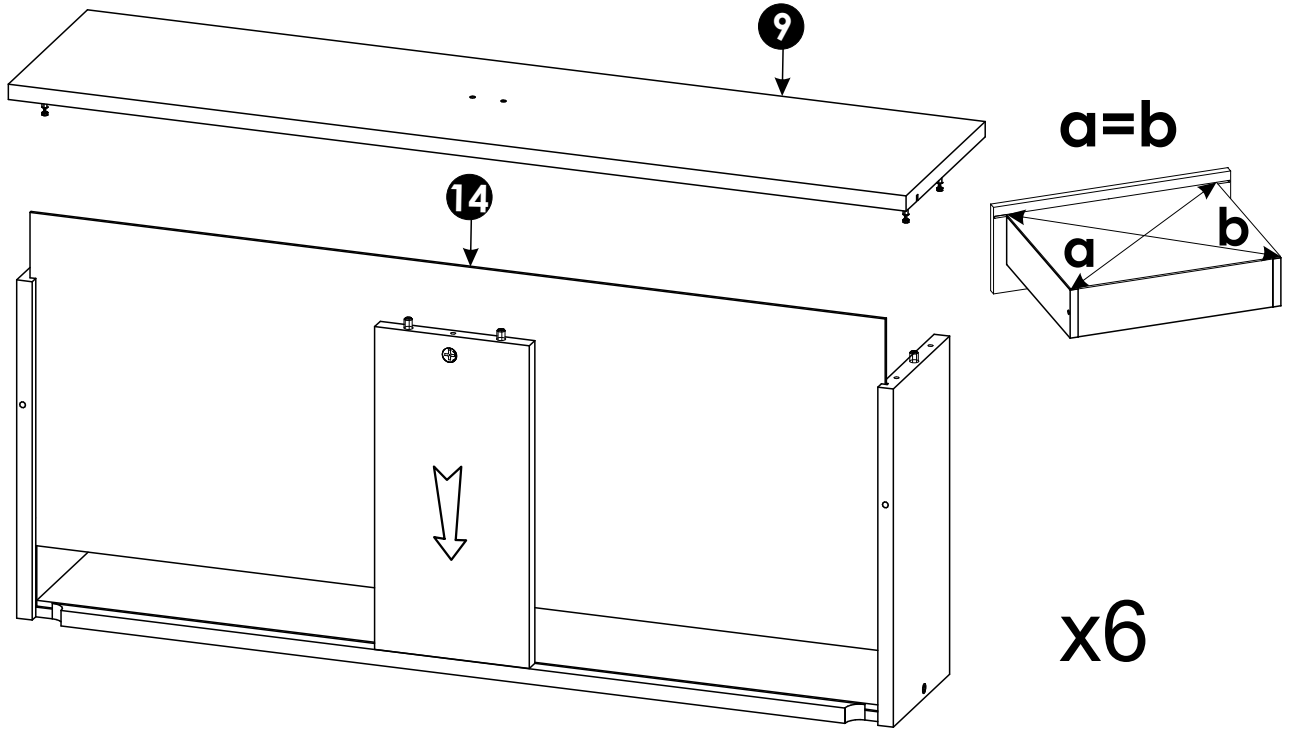
6 ▶






7 ▶

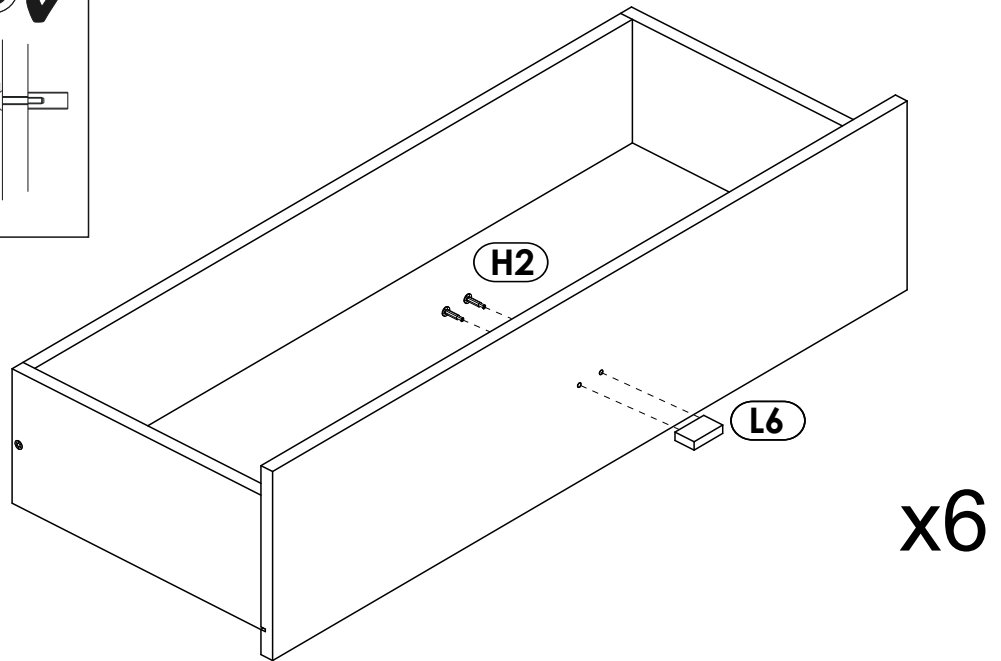
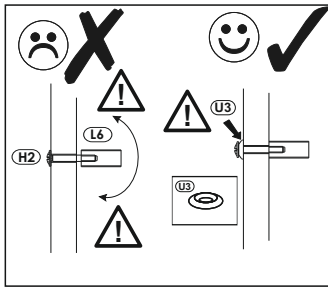


8 ▶

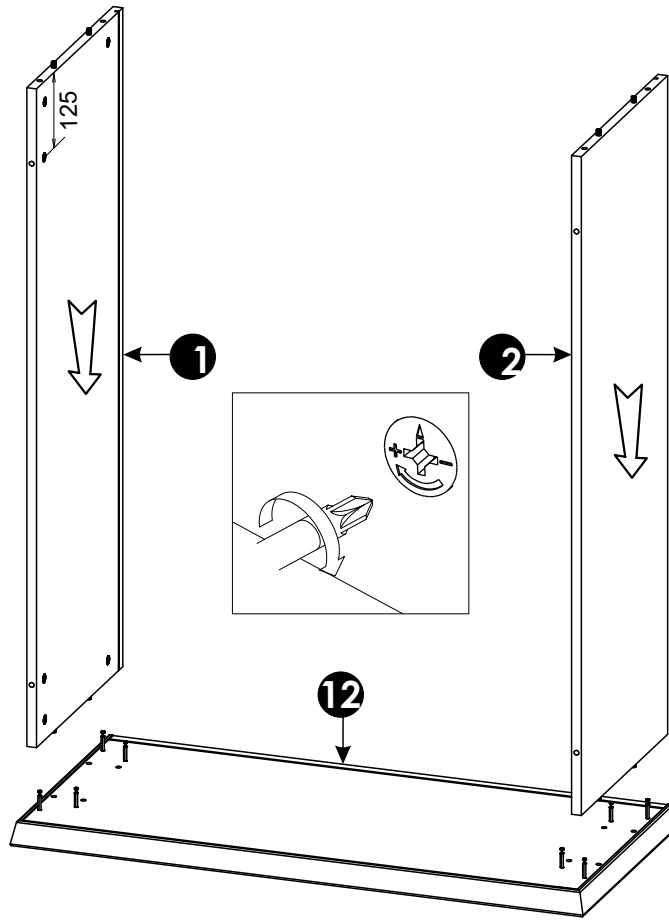


9 ▶

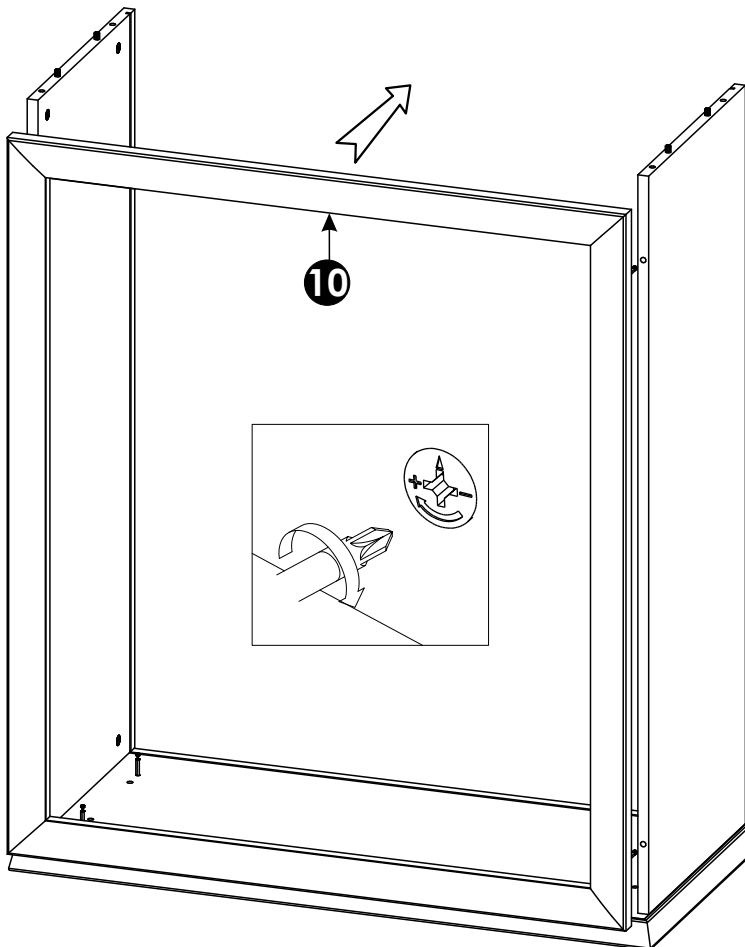
<p>H2 4 x 22 mm x12</p> 	<p>L6 x6</p> 	<p>U3* x12</p>  <p>*MODEL CAMRON</p>
---	--	---



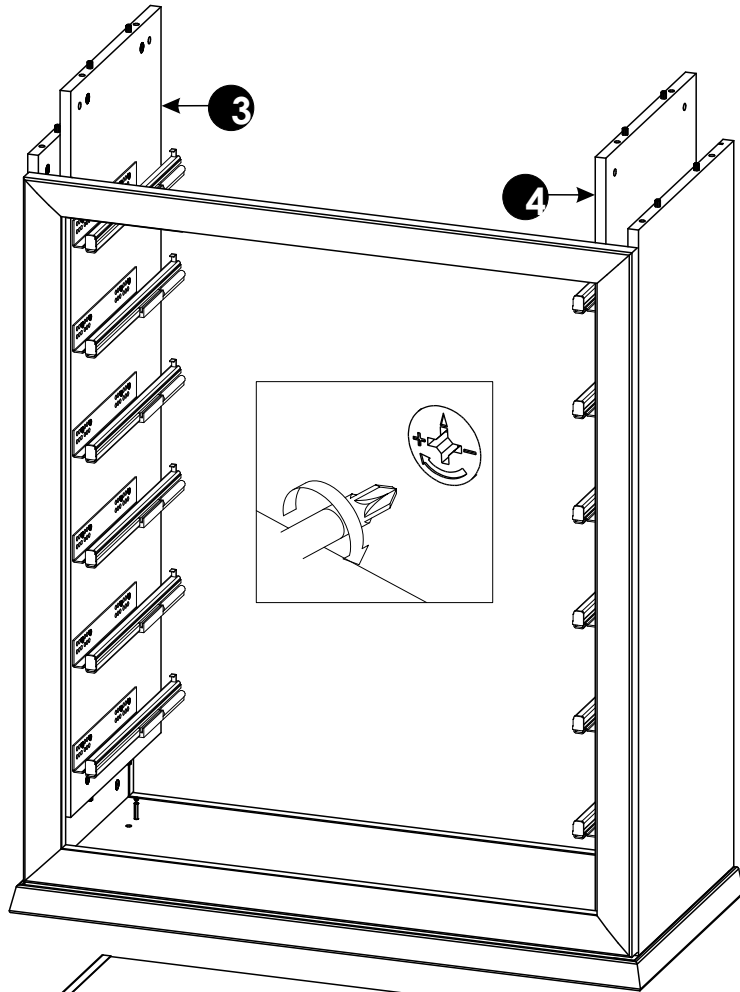
10 ▶



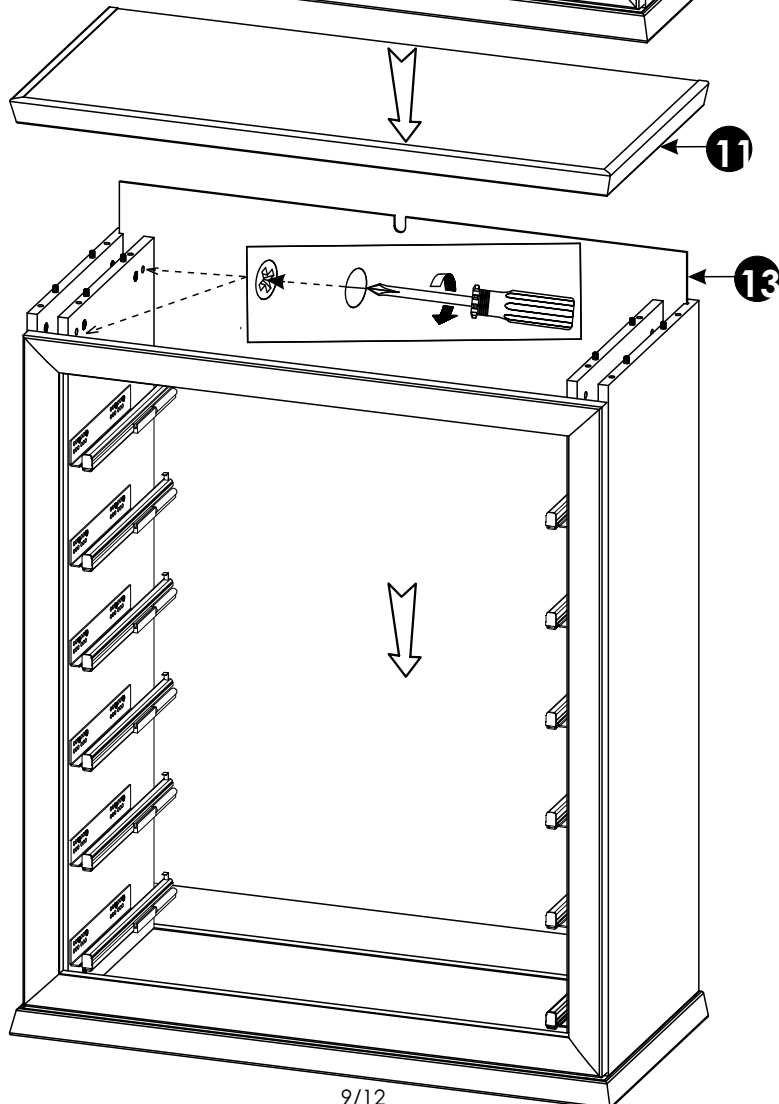
11 ▶




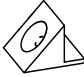
12 ▶

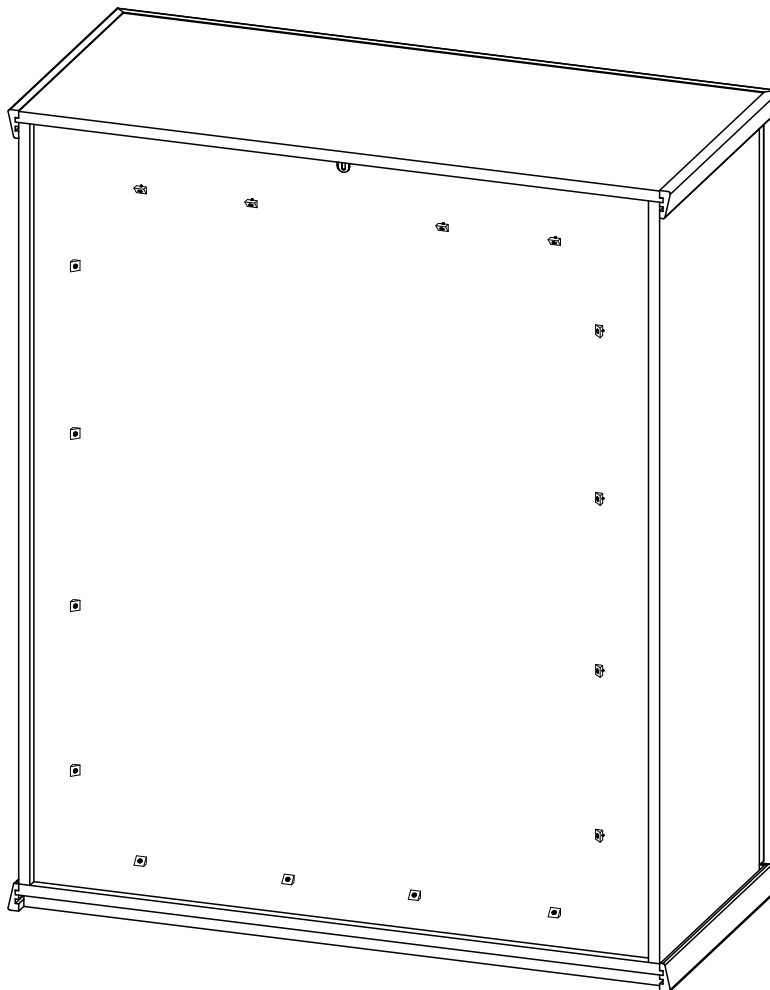
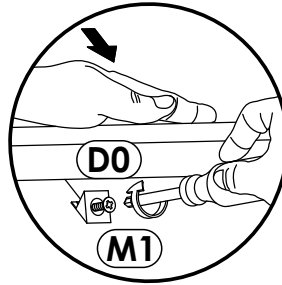
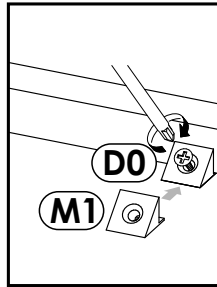
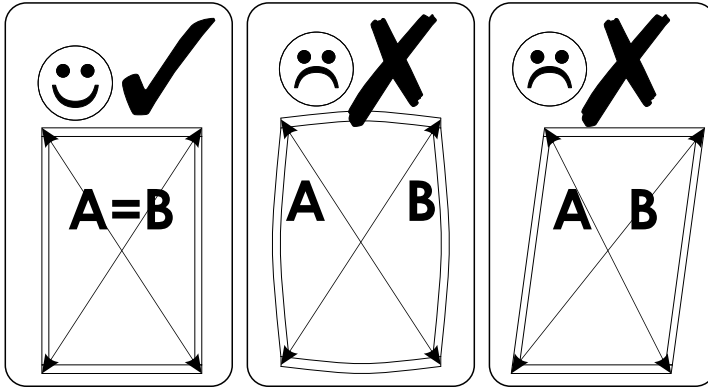


13 ▶



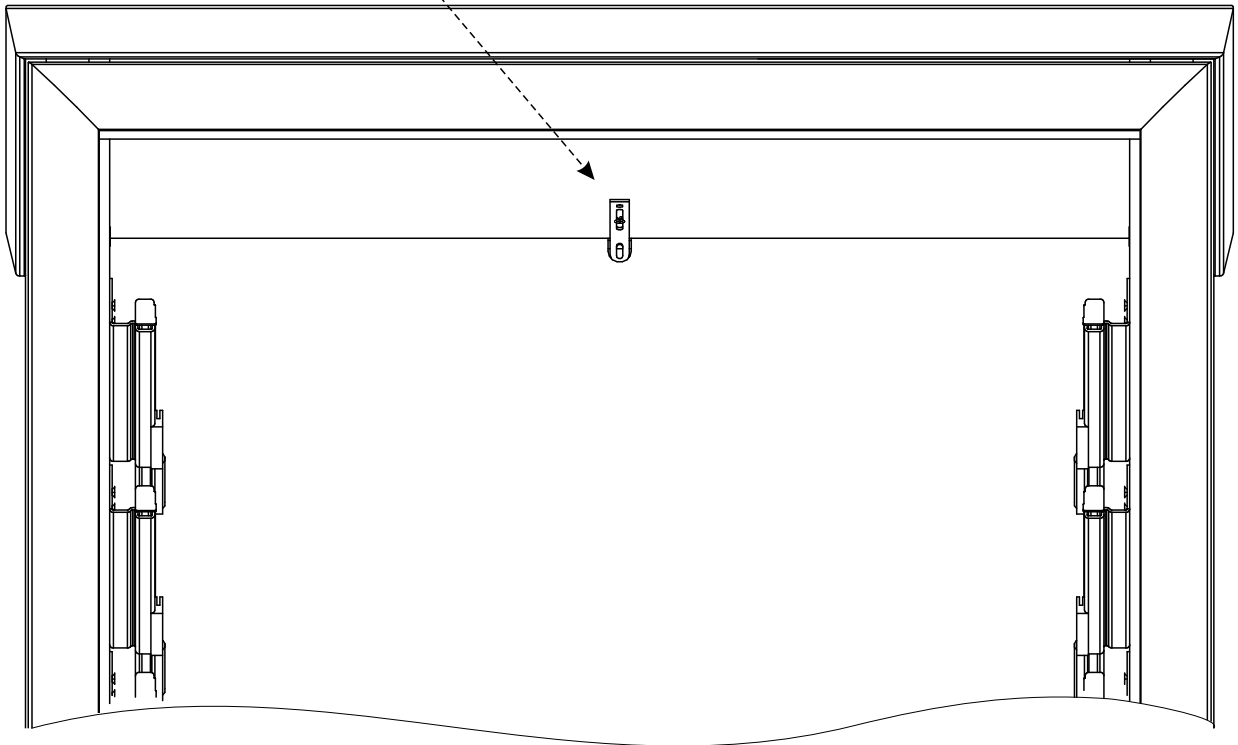
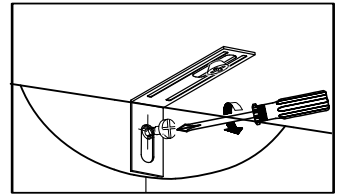
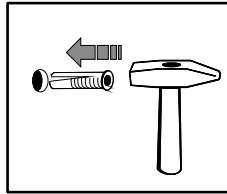
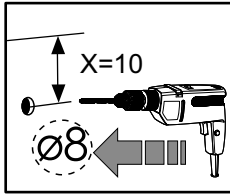
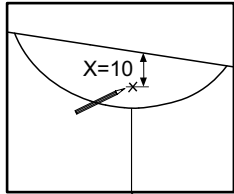
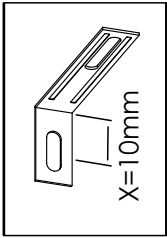
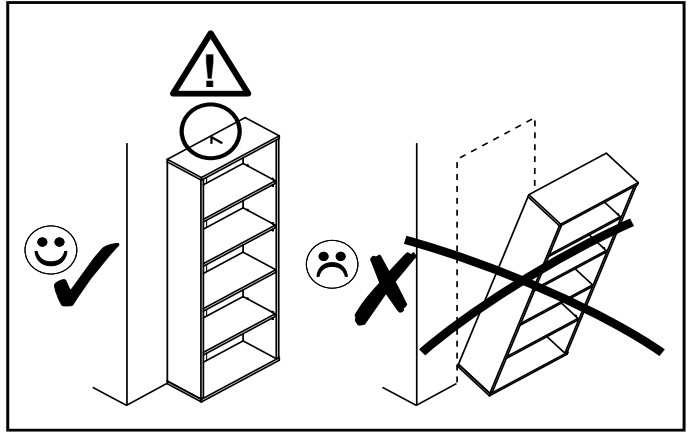
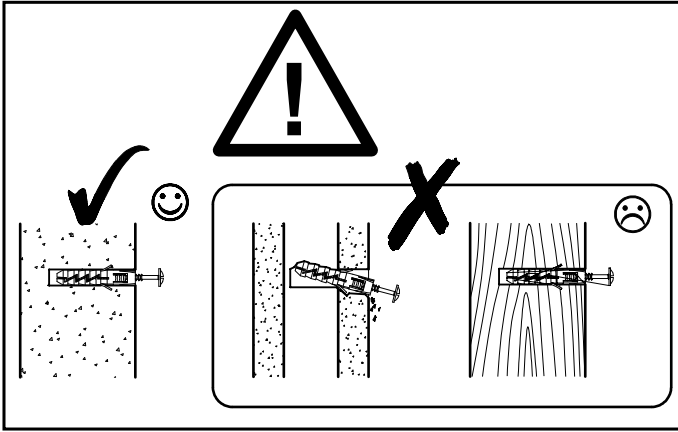
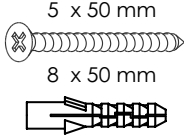
14▶

D0	3 x 15 mm	x16	M1		x16
					

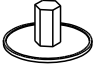


15 ▶

E0 5 x 50 mm **x1**
8 x 50 mm



16 ▶

C0		x24	LOGO...	x1
-----------	---	------------	----------------	-----------

