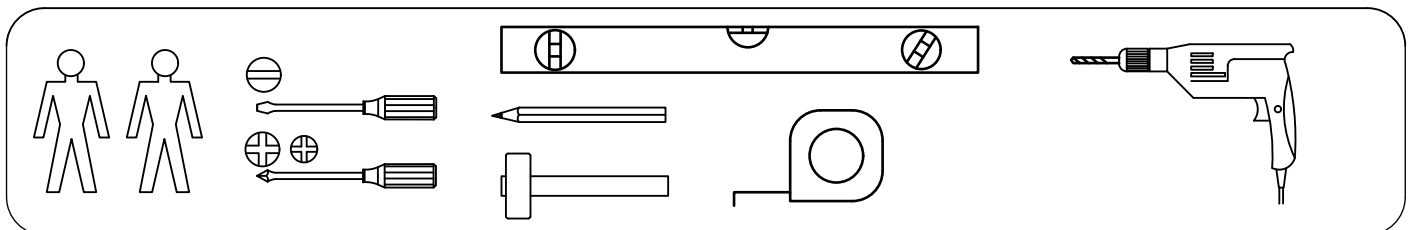
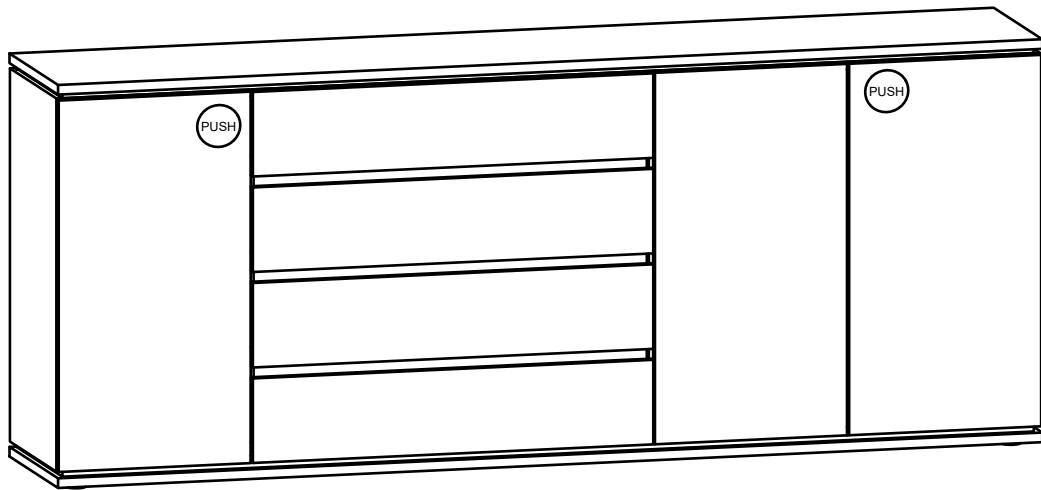
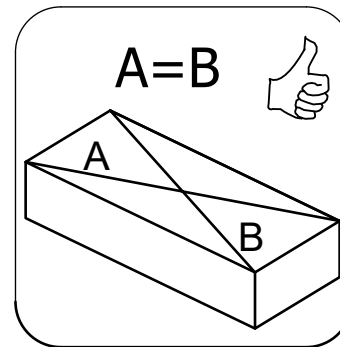
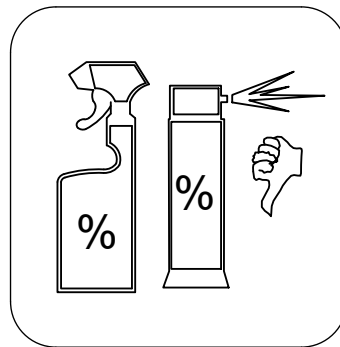
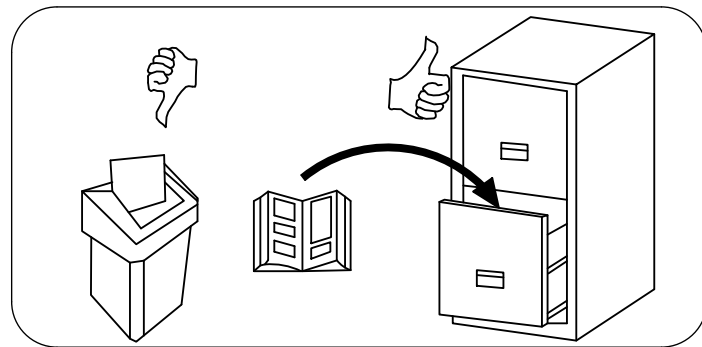
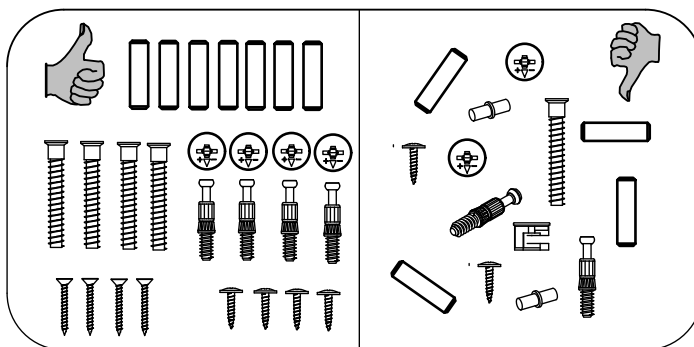
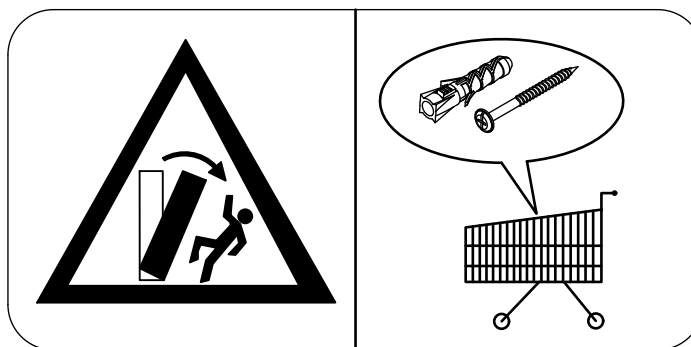
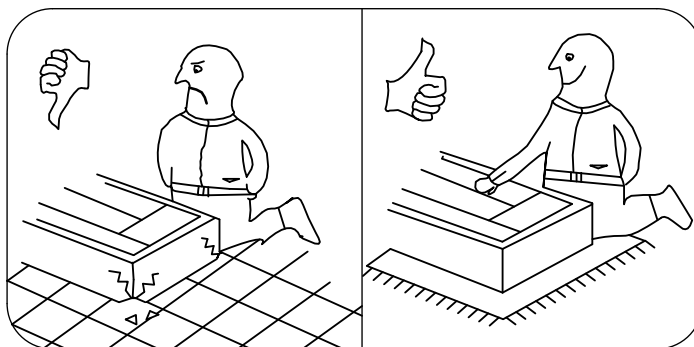
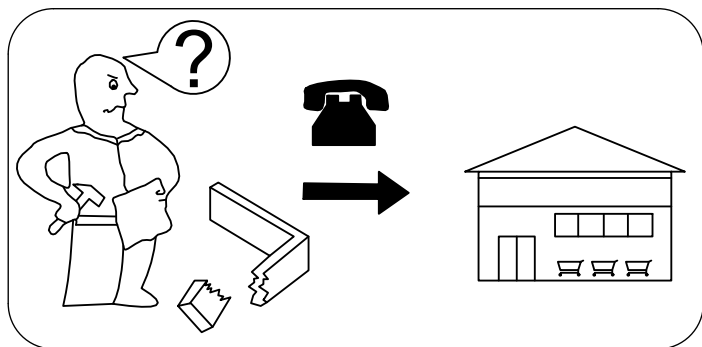
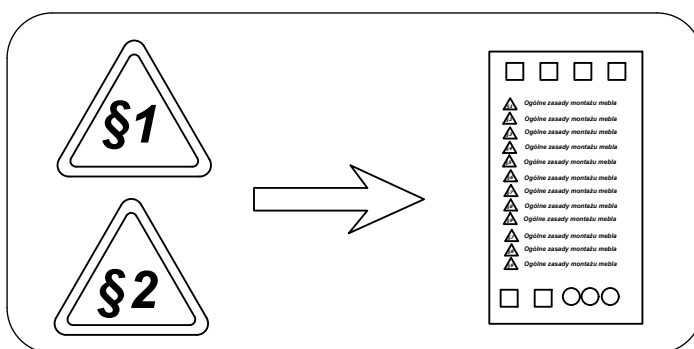
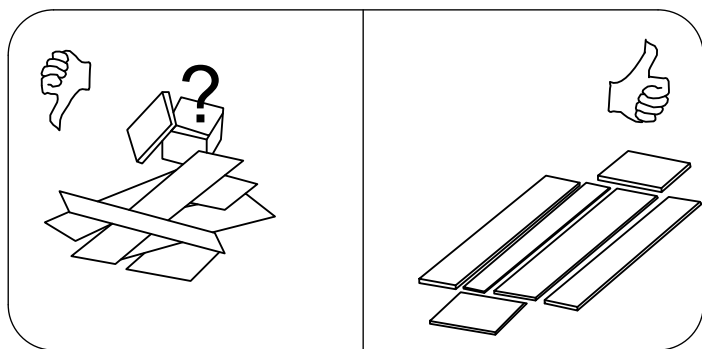
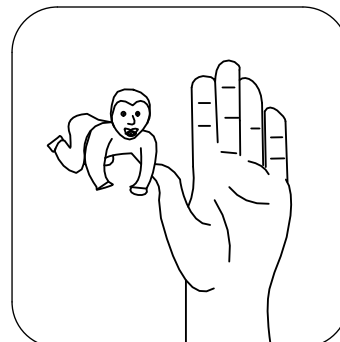
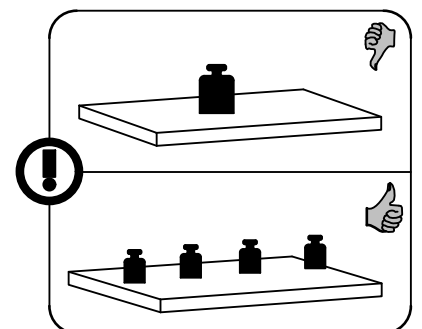
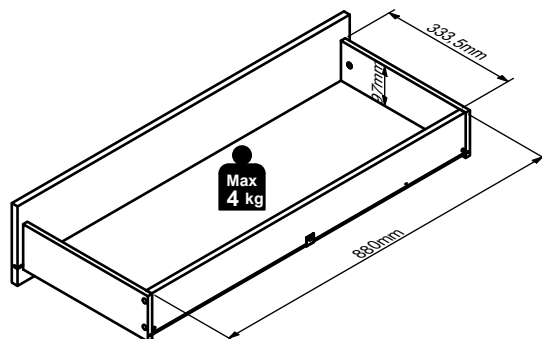
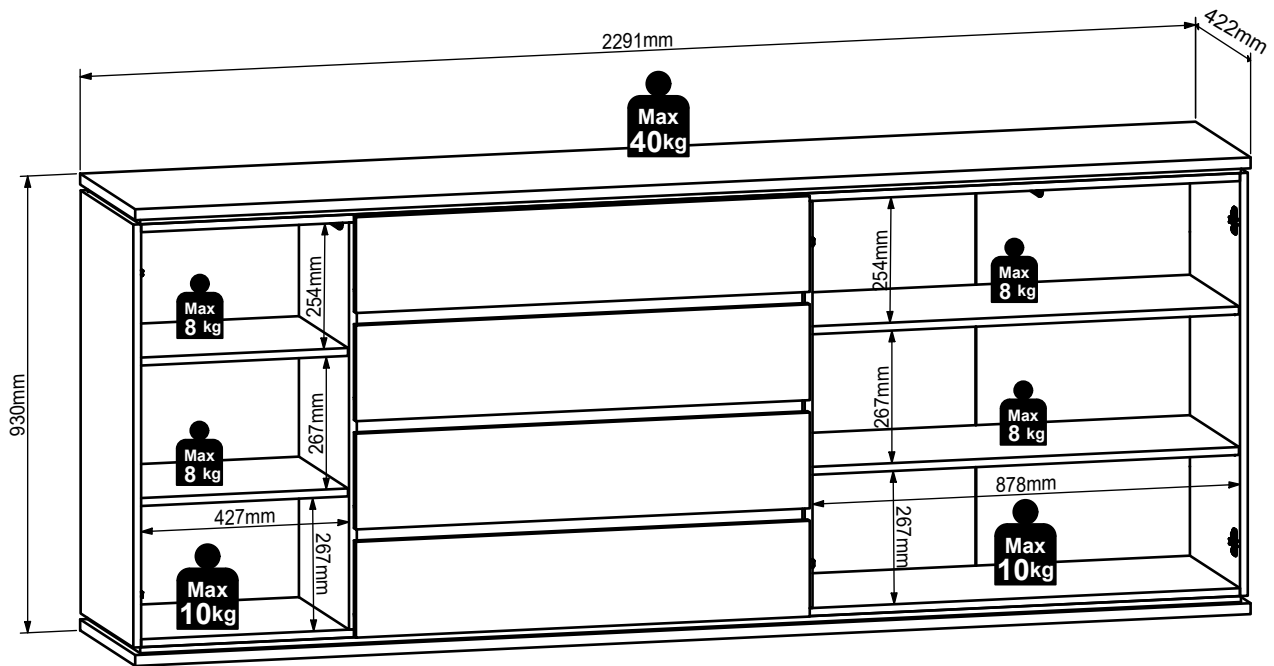
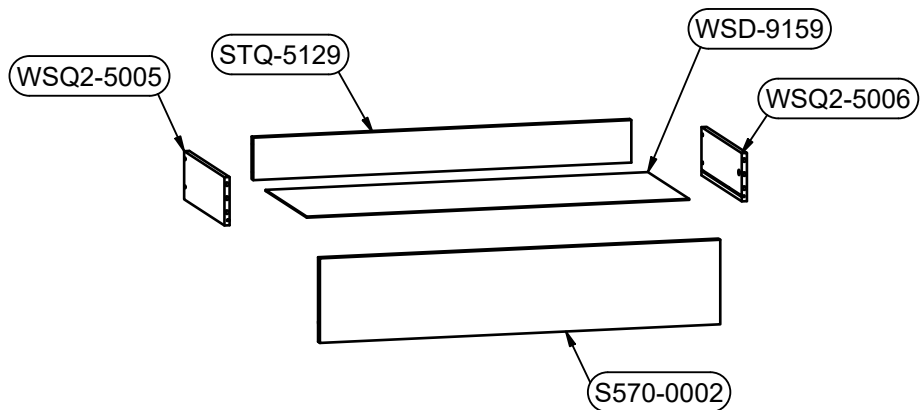
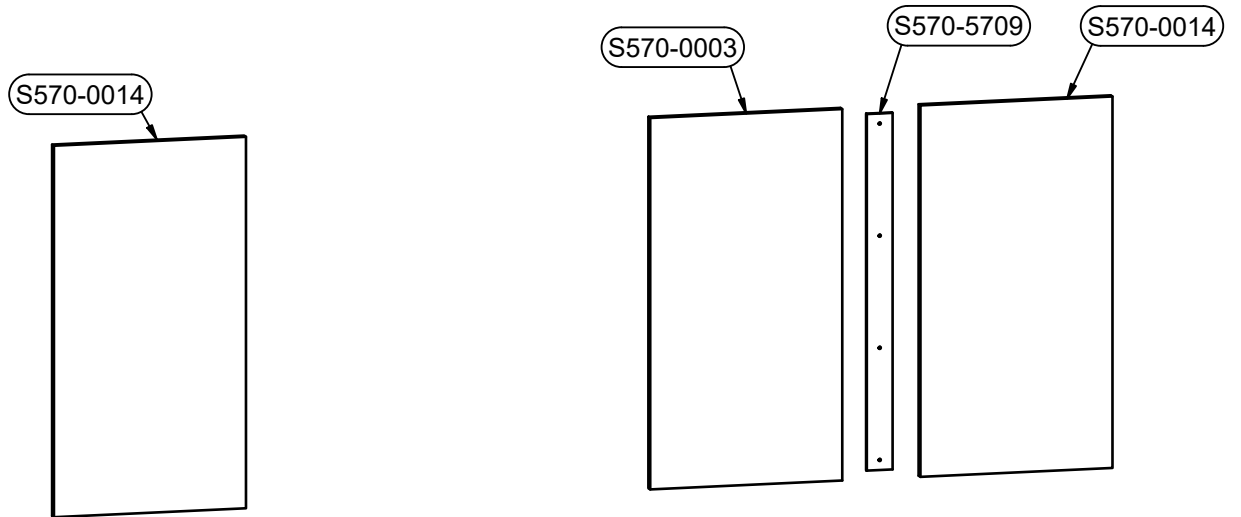
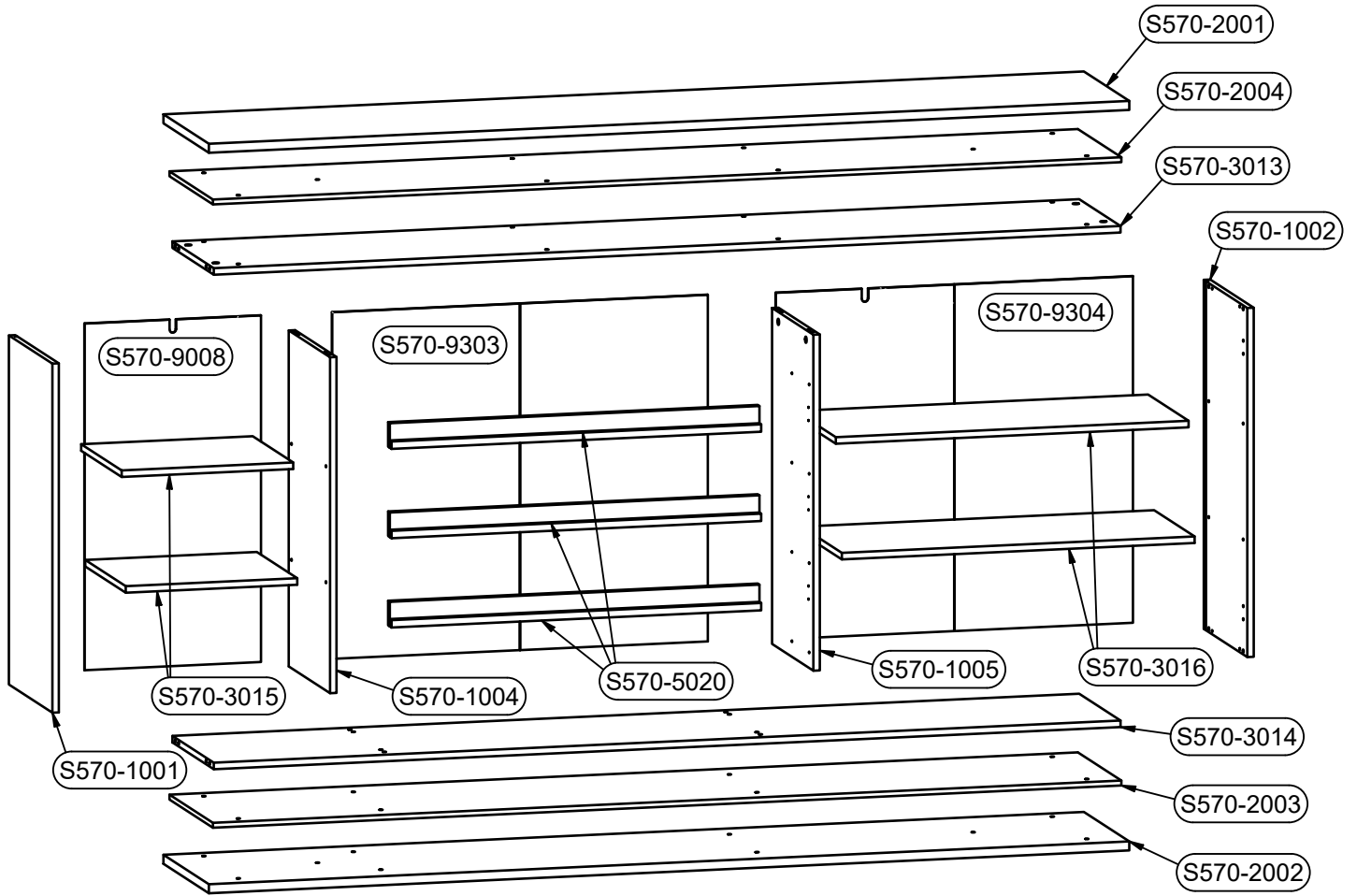


24270025/52



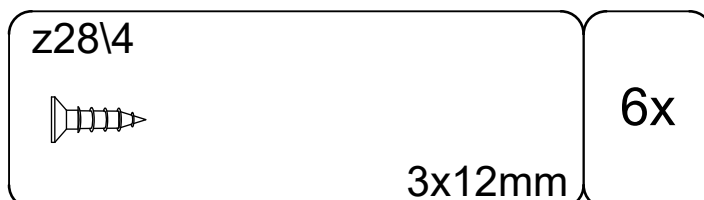
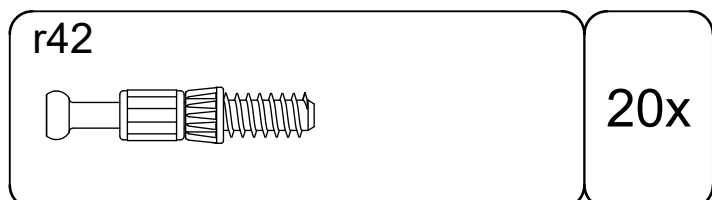
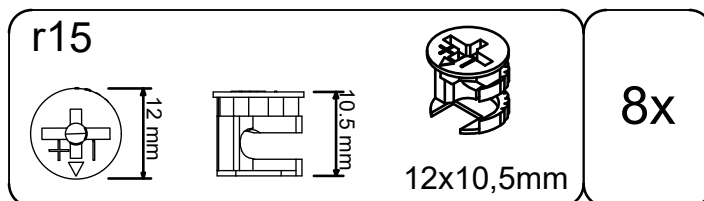
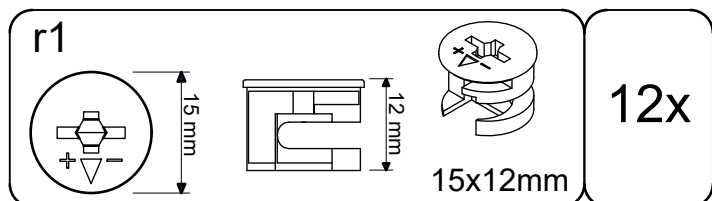
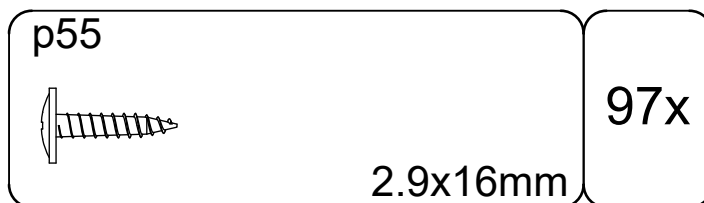
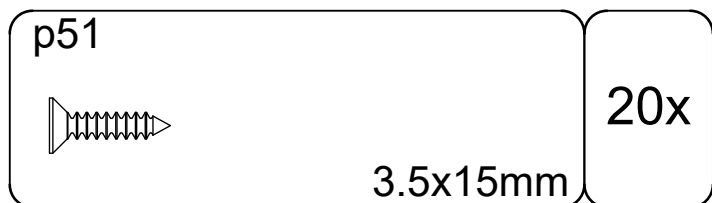
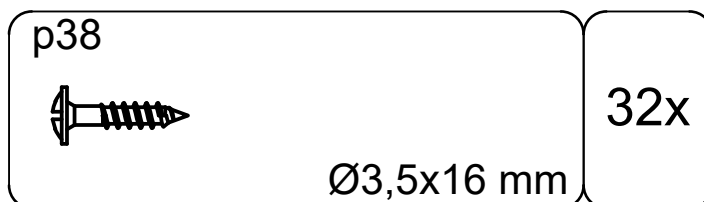
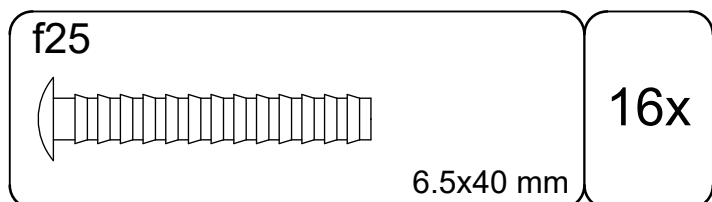
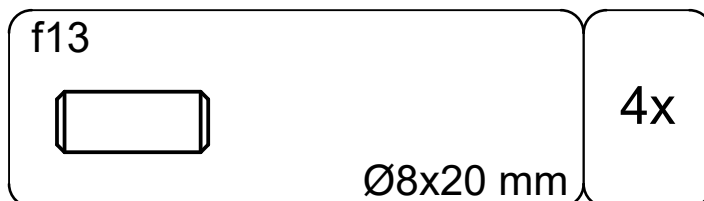
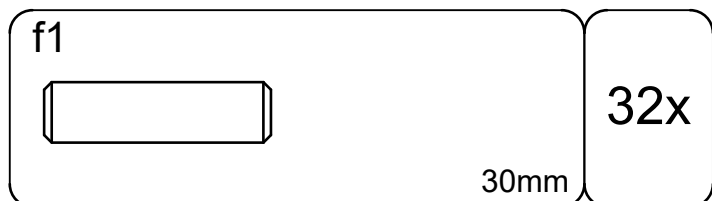
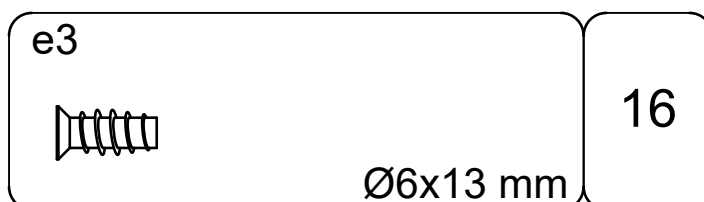
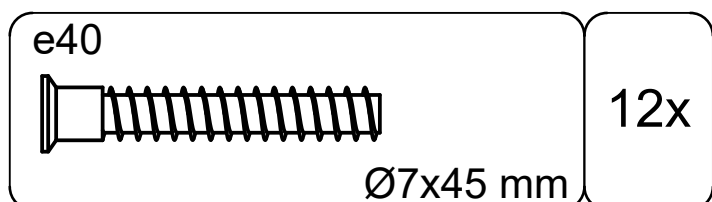
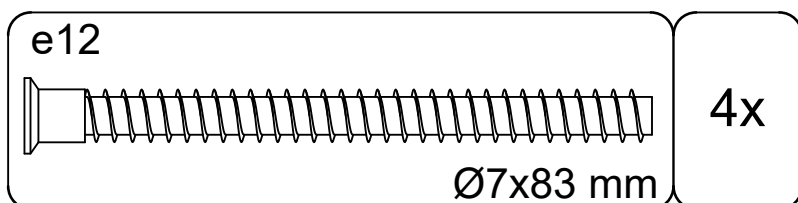
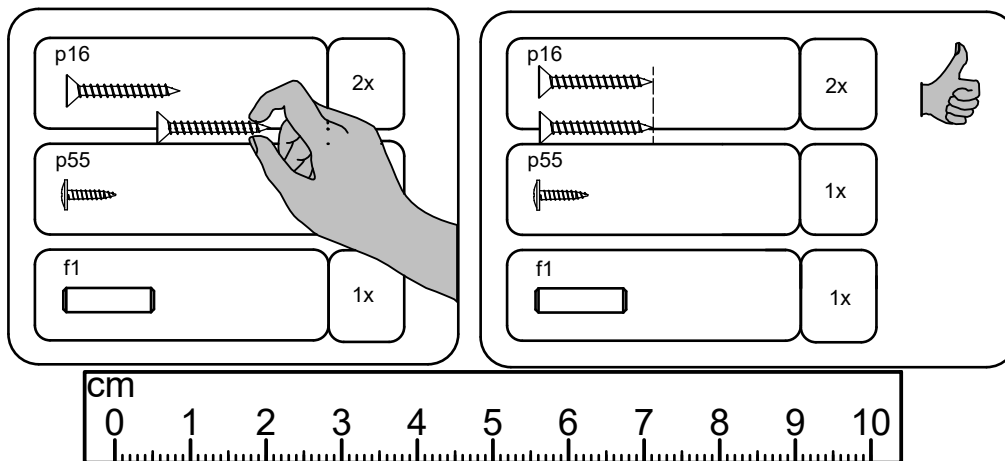






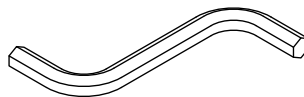
B1	B2	C1	C2	C3	C4	D
S570-0002	-.1	932	193	16	4	3/5
S570-0003	-.1	848	447	16	1	1/5
S570-0014	-.5	848	447	16	2	1/5
S570-1001	-	852	404	16	1	1/5
S570-1002	-	852	404	16	1	1/5
S570-1004	-	820	384	16	1	4/5
S570-1005	-	820	384	16	1	4/5
S570-2001	-	2291	422	22	1	2/5
S570-2002	-	2291	422	22	1	2/5
S570-2003	-	2261	404	12	1	3/5
S570-2004	-	2261	404	12	1	3/5
S570-3013	-	2257	384	16	1	4/5
S570-3014	-	2257	384	16	1	4/5
S570-3015	-	427	376	16	2	5/5
S570-3016	-	878	376	16	2	5/5
S570-5020	-	920	60	32	3	5/5
S570-5709	-.1	814	60	6	1	5/5
S570-9008	-	846	439	2,5	1	1/5
S570-9303	-.1	846	935	2,5	1	1/5
S570-9304	-.3	846	889	2,5	1	1/5
STQ-5129	-	880	97	15	4	5/5
WSD-9159	-	890	358	2,5	4	5/5
WSQ2-5005	-.7	350	110	12	4	5/5
WSQ2-5006	-.7	350	110	12	4	5/5

1:1



~~1:1~~

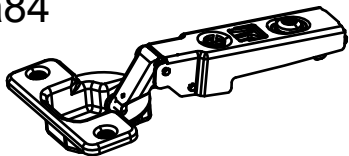
z1



4mm

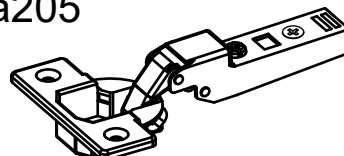
1x

a84



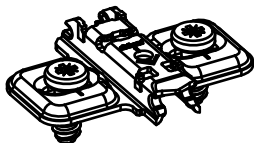
4x

a205



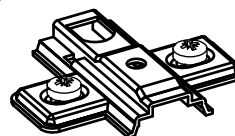
2x

b31



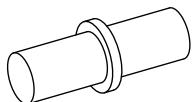
4x

b90



2x

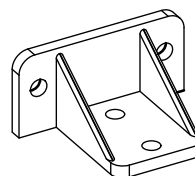
d1



16x

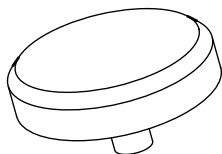
fi5mm

d41\2



6x

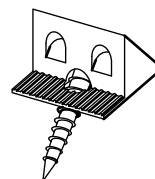
k43



6x

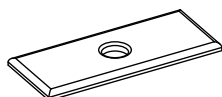
fi48x10mm

l2



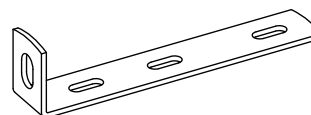
4x

n108



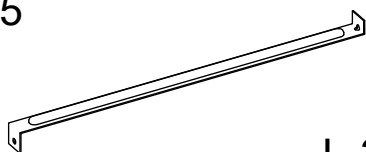
10x

n14\2



2x

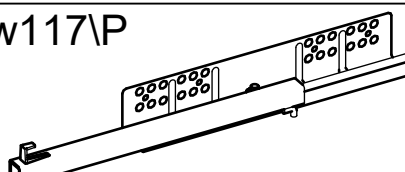
t35



4x

L-350mm

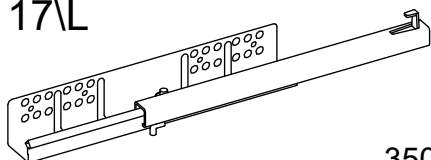
w117\p



4x

350mm

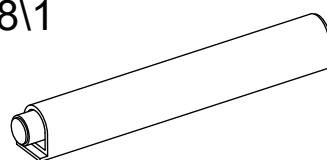
w117\L



4x

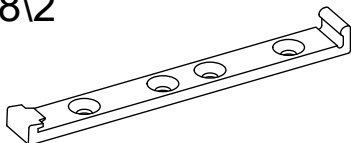
350mm

z28\1



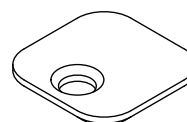
2x

z28\2



2x

z28\3

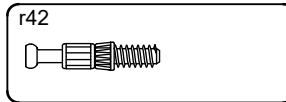


2x

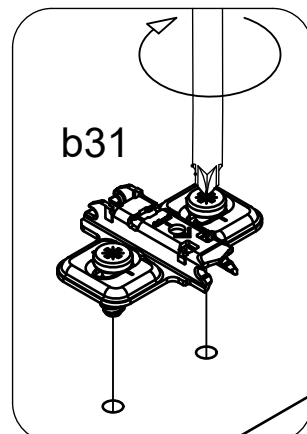
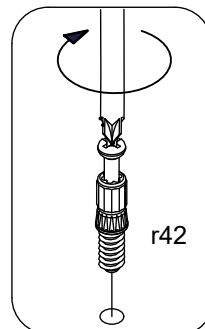
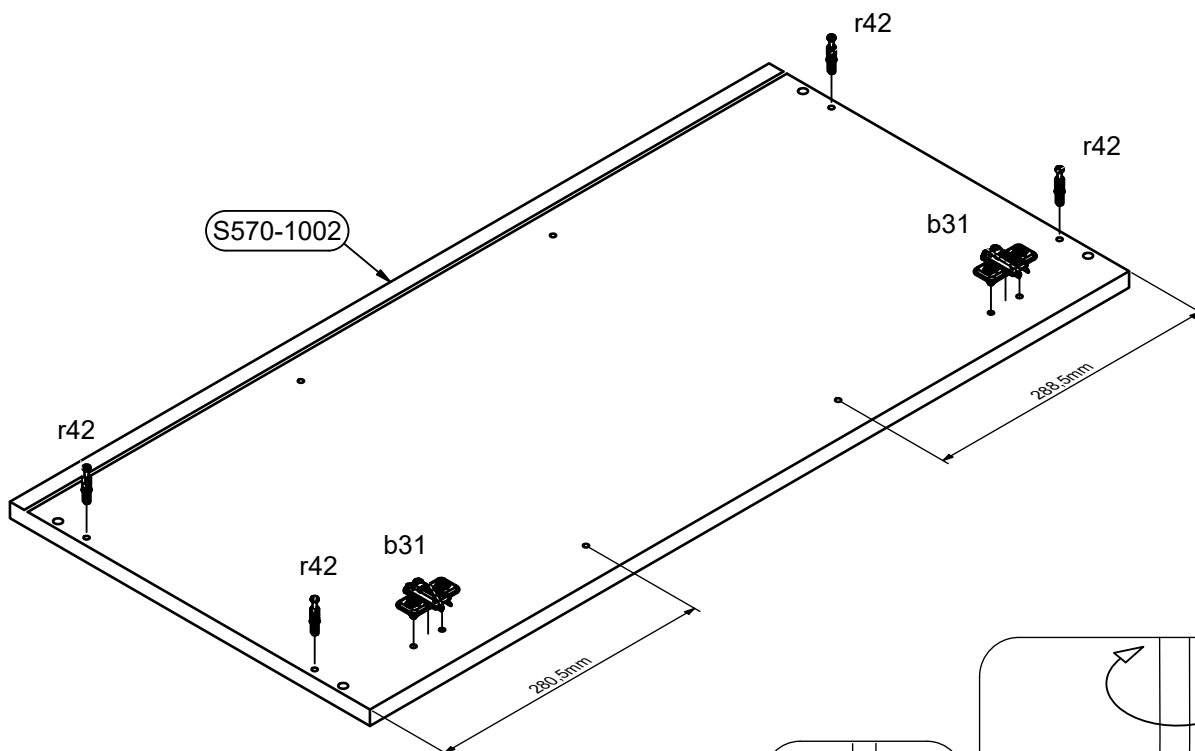
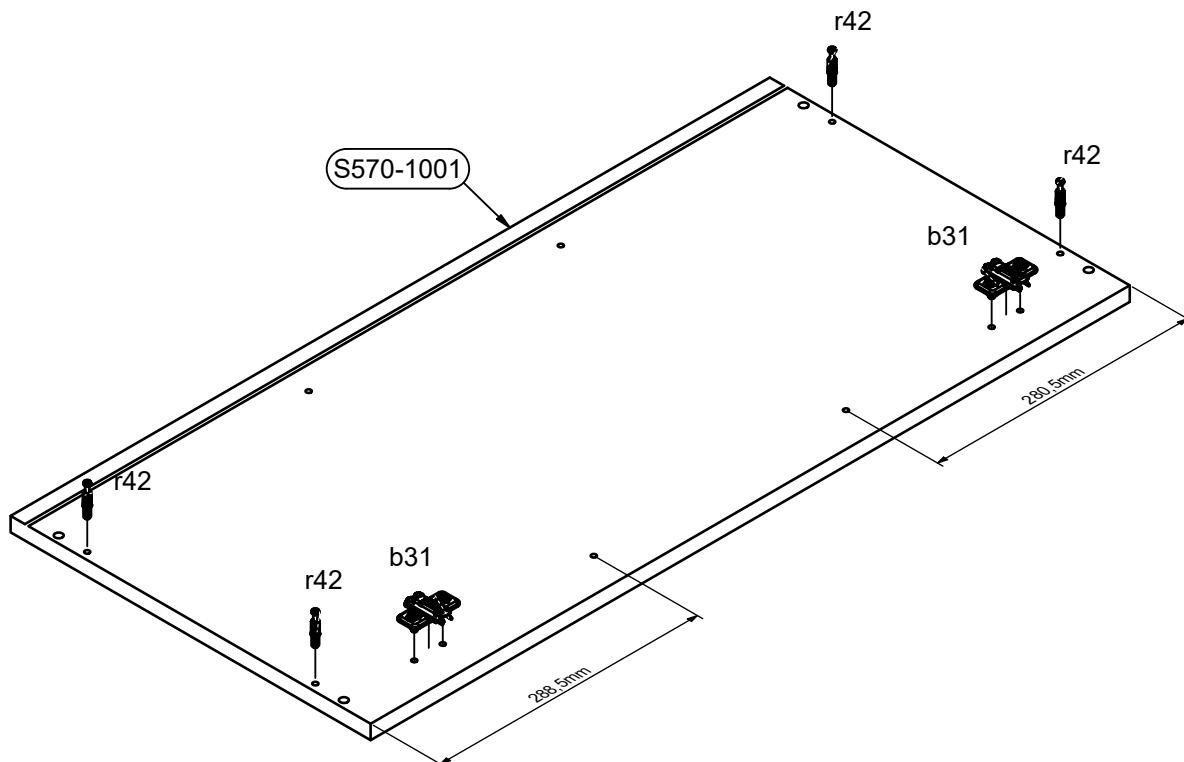
1

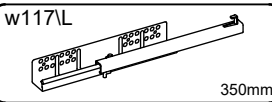

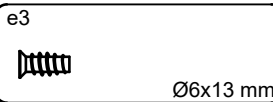
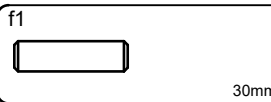
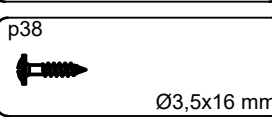
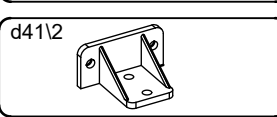


4x

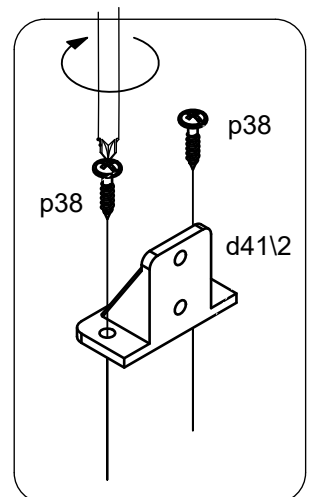
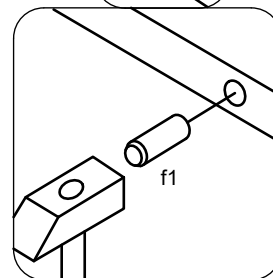
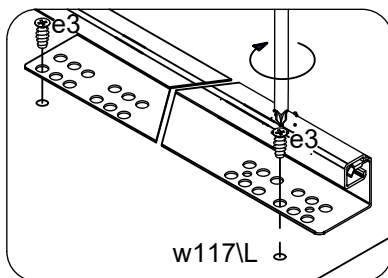
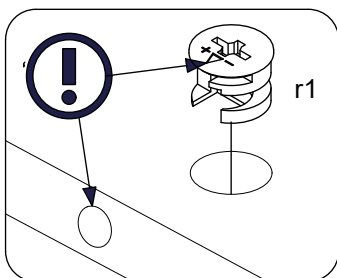
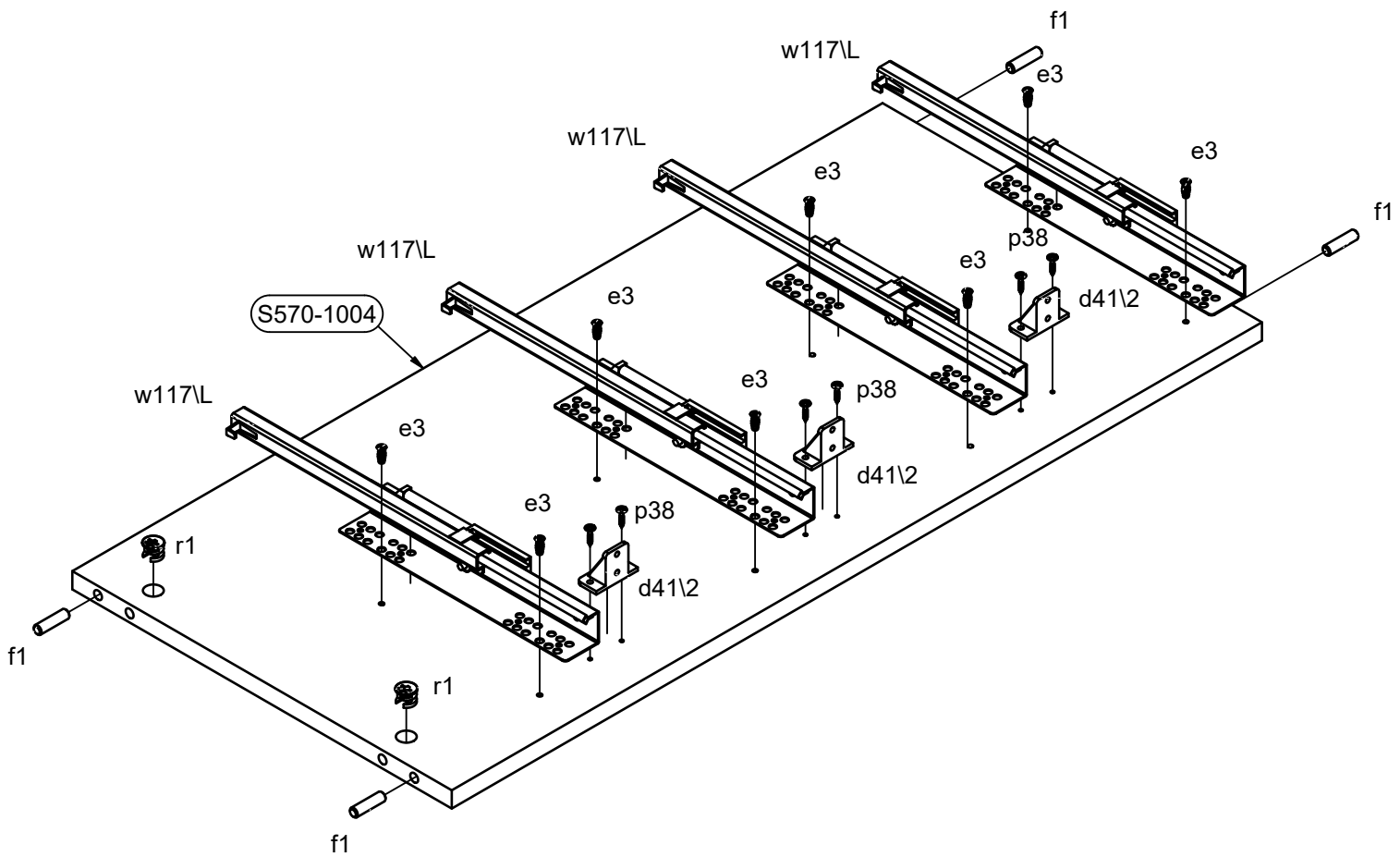


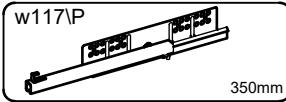
8x



 <p>w117/L 350mm</p>	4x	 <p>r1 15x12mm</p>	2x	 <p>e3 Ø6x13 mm</p>	8x	 <p>f1 30mm</p>	4x
 <p>p38 Ø3,5x16 mm</p>	6x	 <p>d41/2</p>	3x				

2 





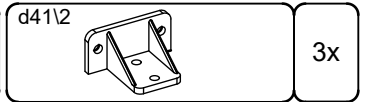
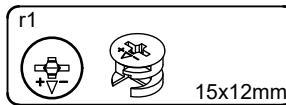
4x



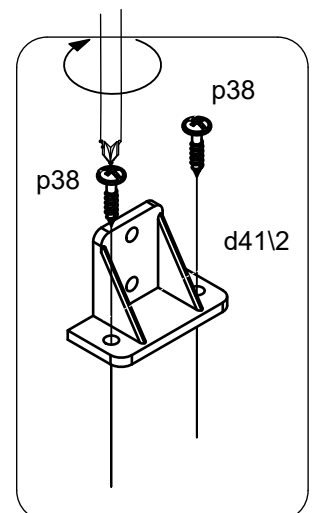
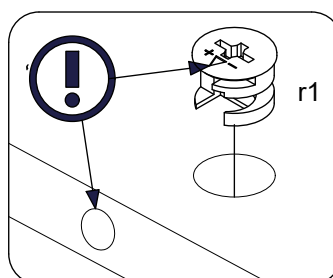
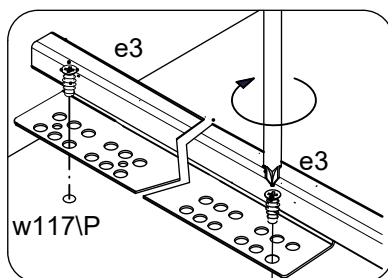
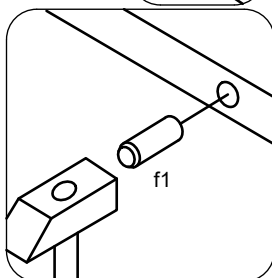
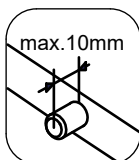
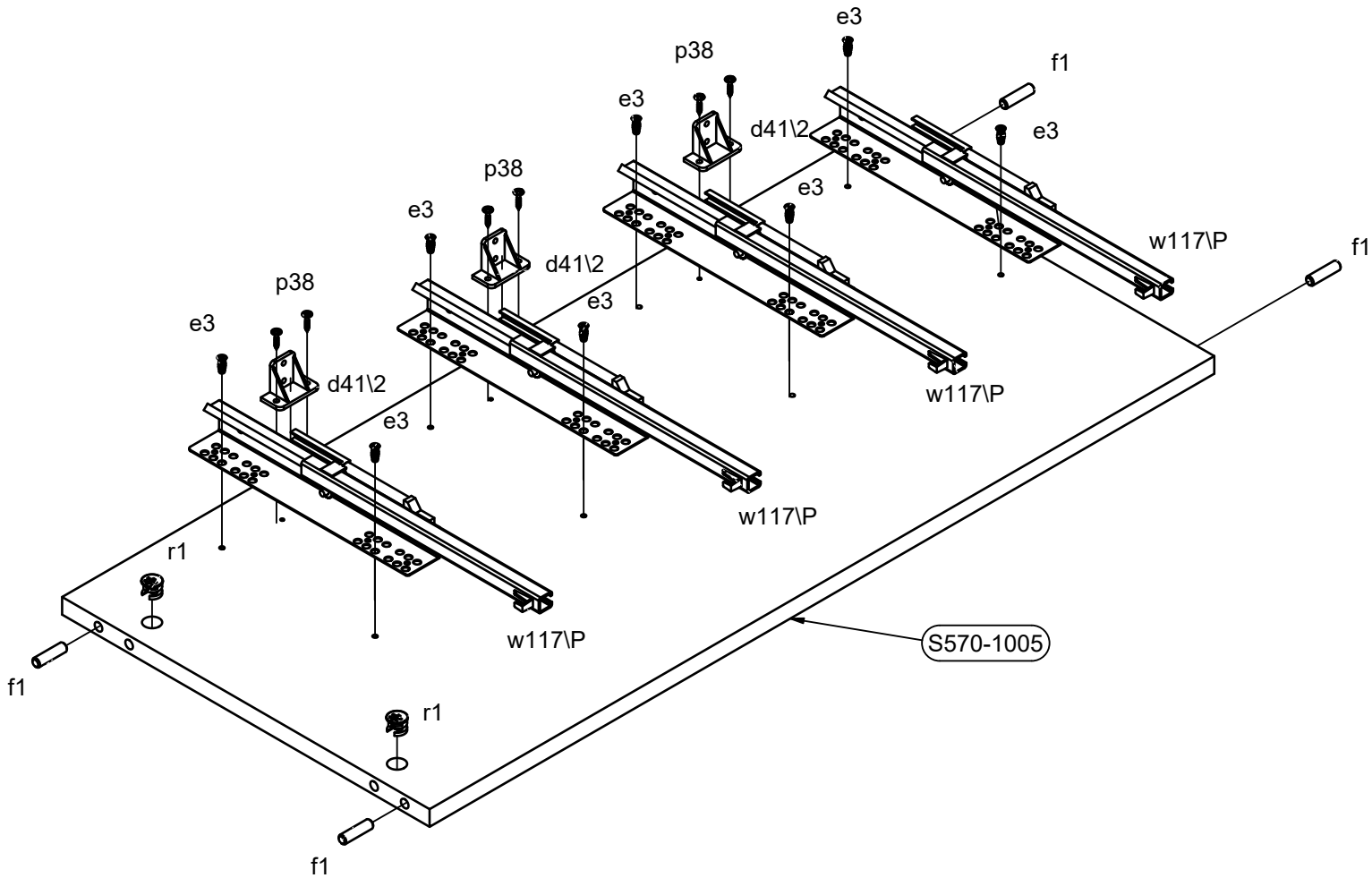
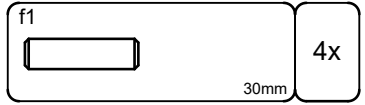
8x

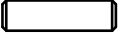
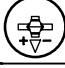

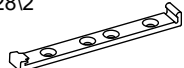


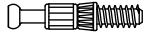
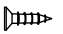


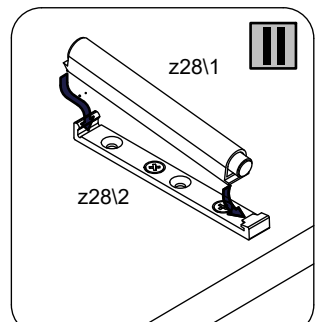
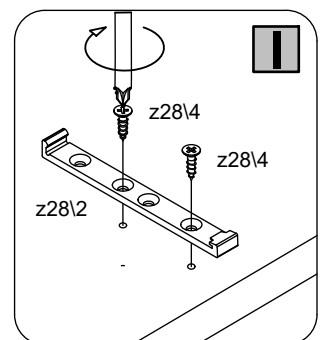
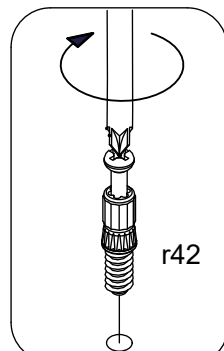
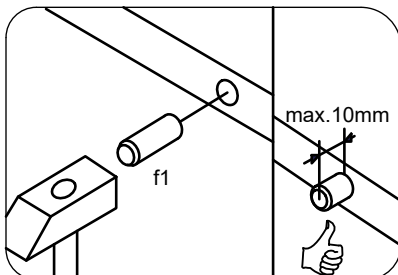
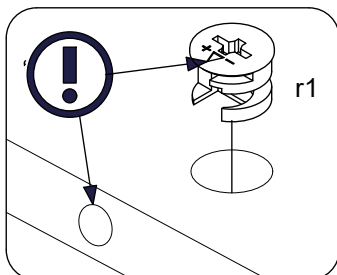
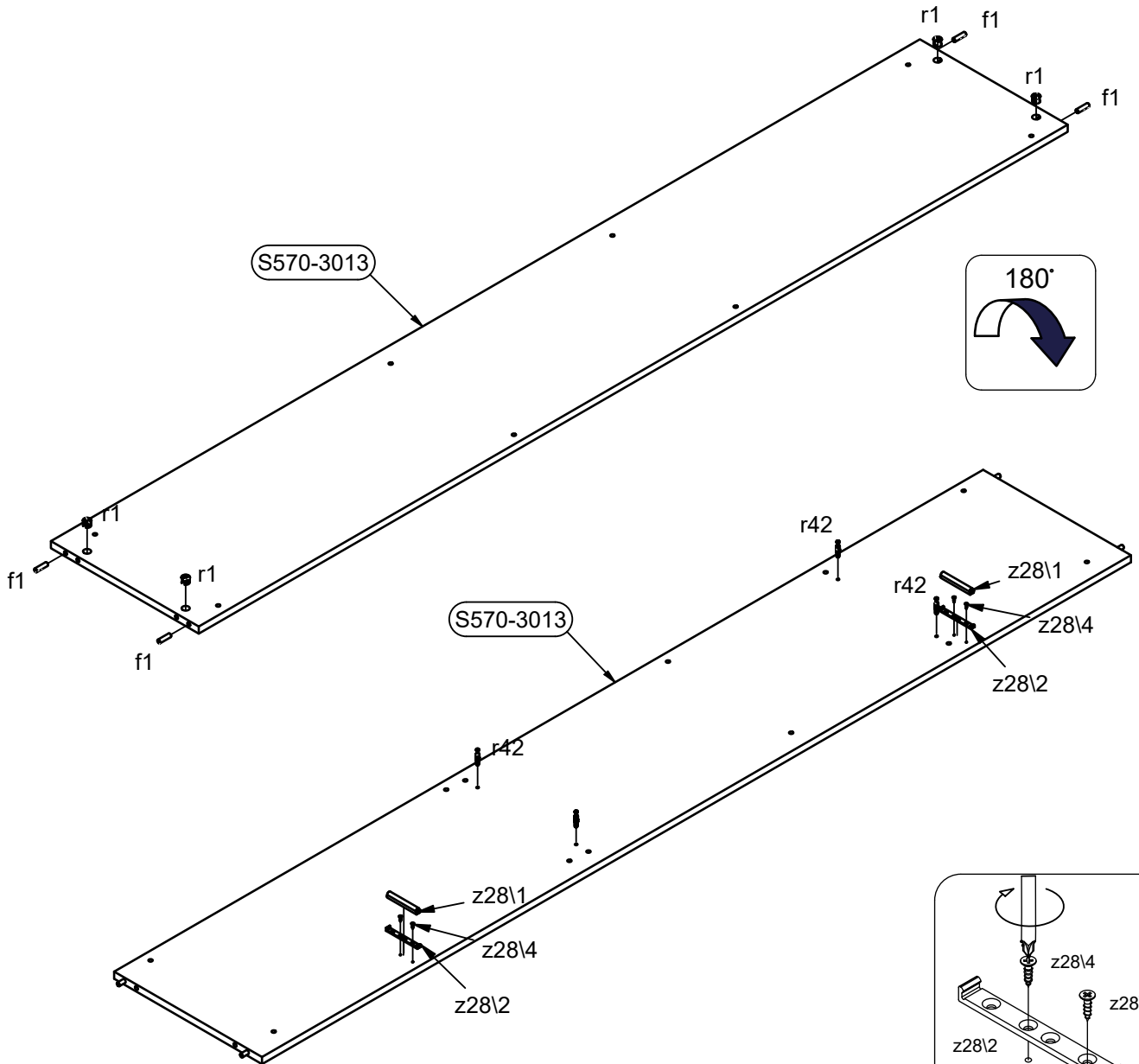
6x

**3**

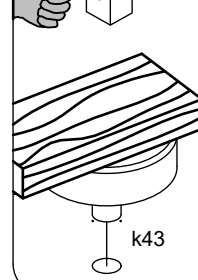
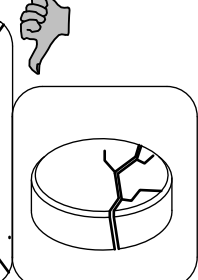
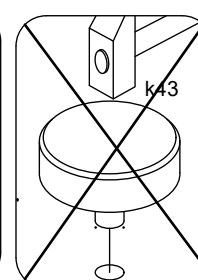
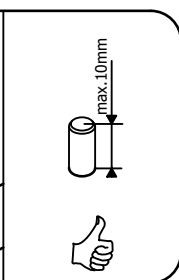
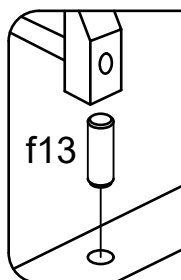
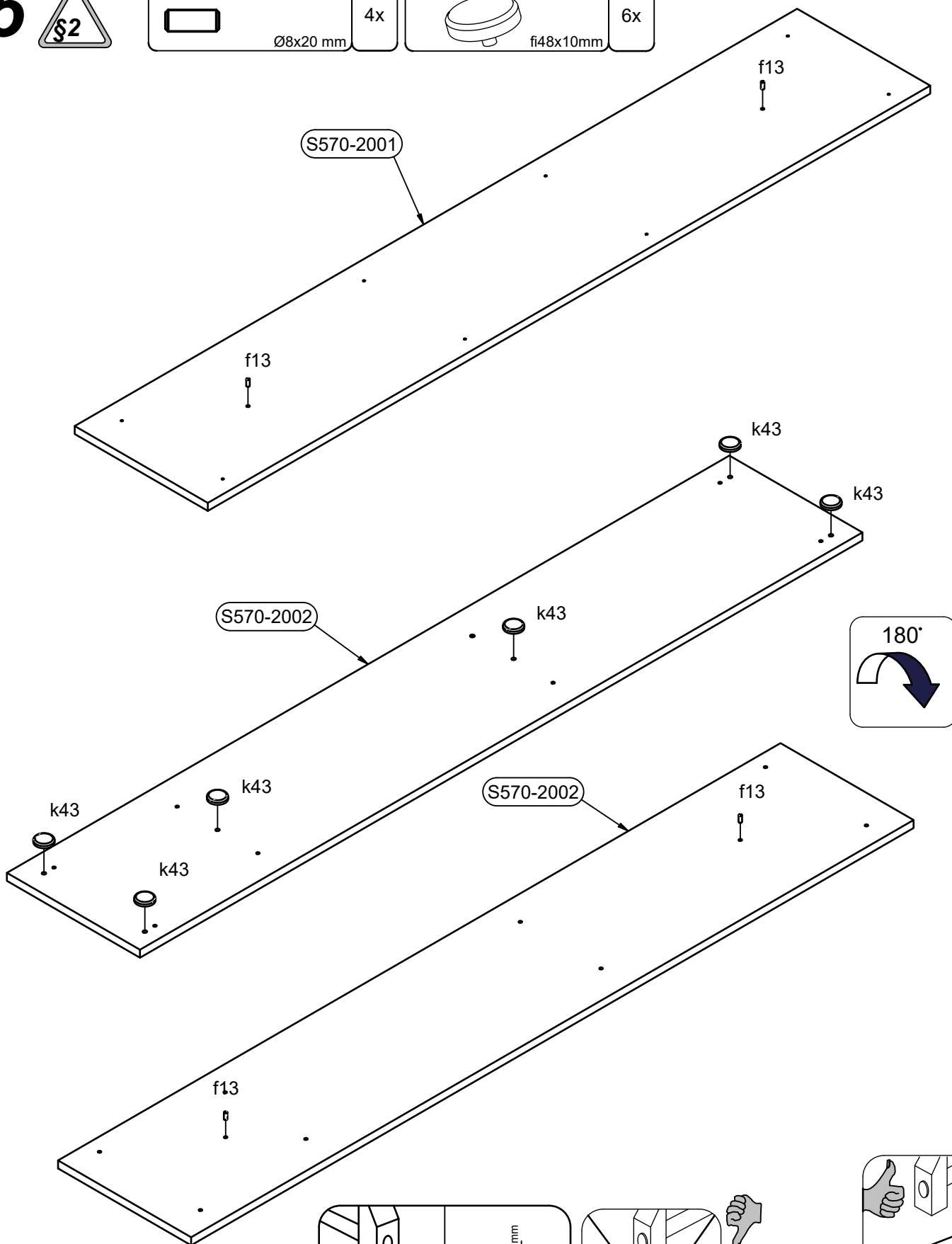
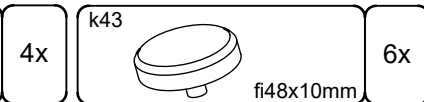
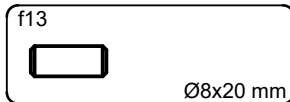
2x

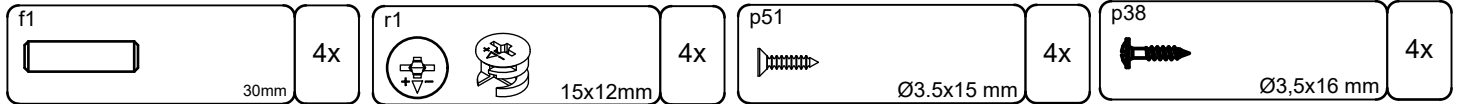


f1  30mm 4x	r1   15x12mm 4x	z28\2  2x	z28\1  2x
4 	r42  4x	z28\4  3x12mm 4x	

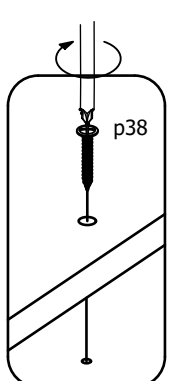
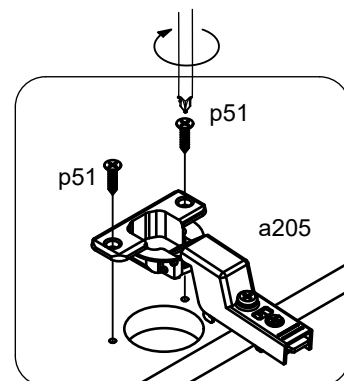
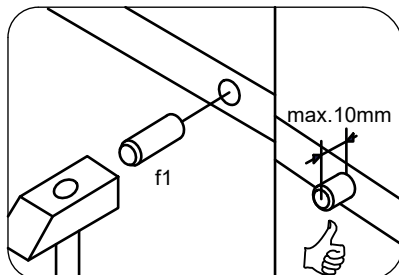
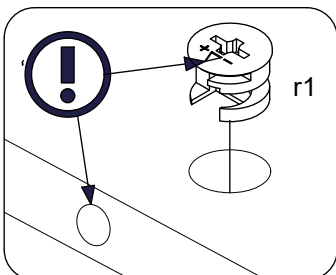
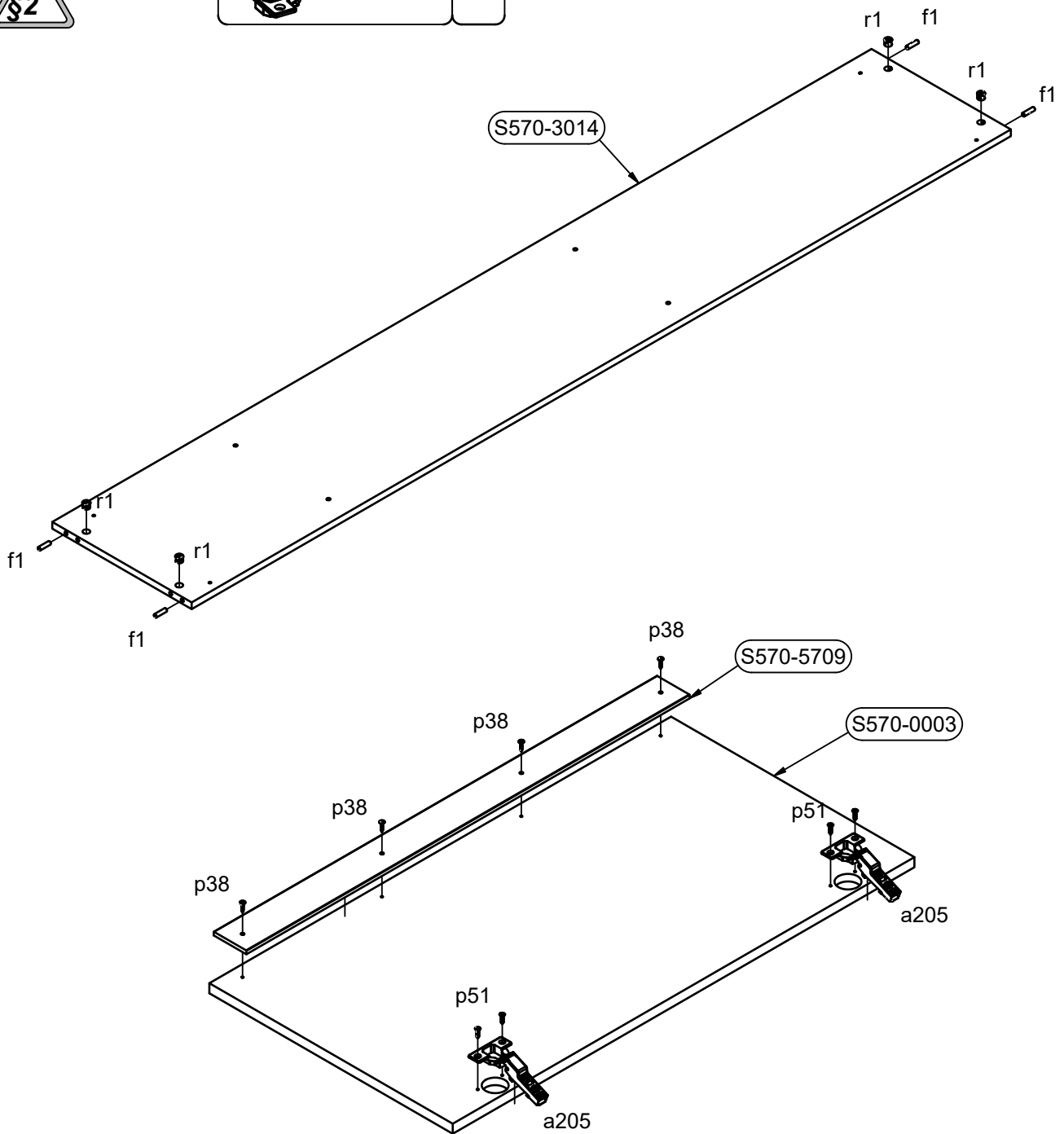
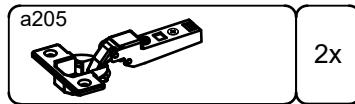


5



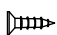





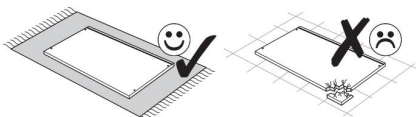
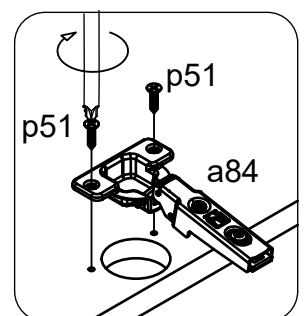
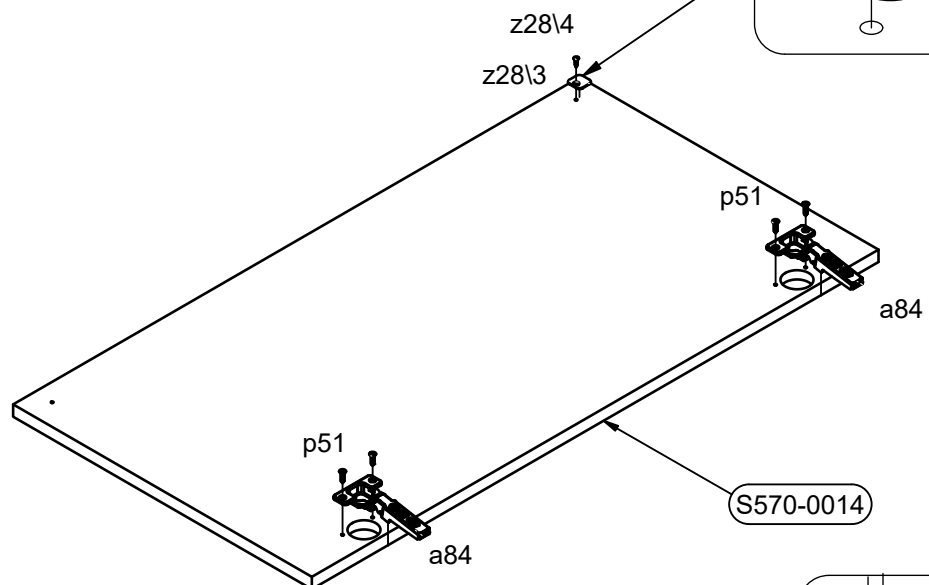
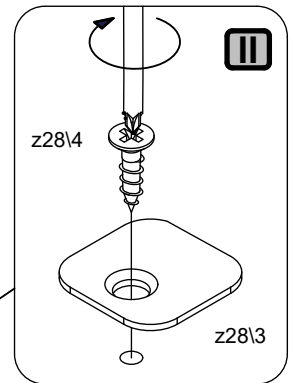
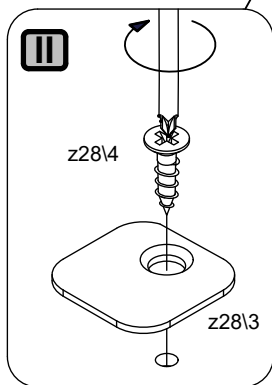
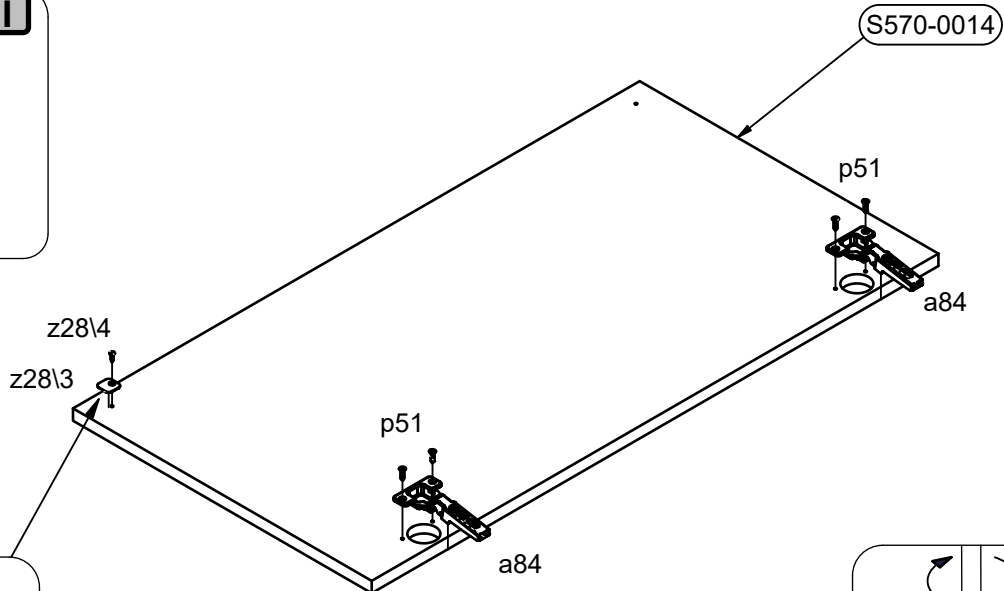
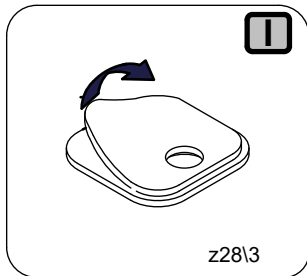
6 



A**S570-KOM3D4S**

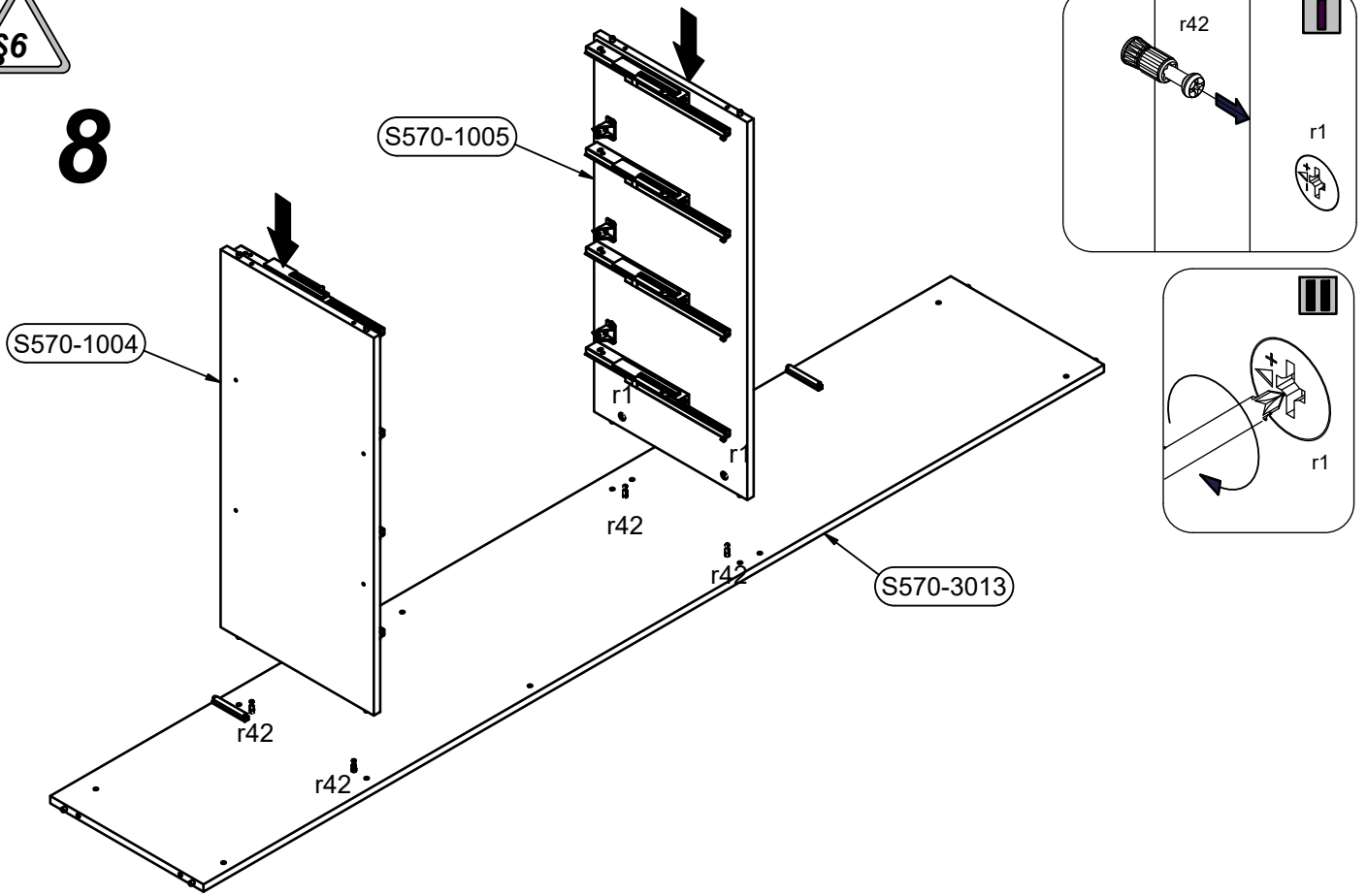
14 / 25

z28\4  3x12mm	2x	z28\3 	2x	a84 	4x	p51  Ø3.5x15 mm	8x
---	----	--	----	---	----	--	----

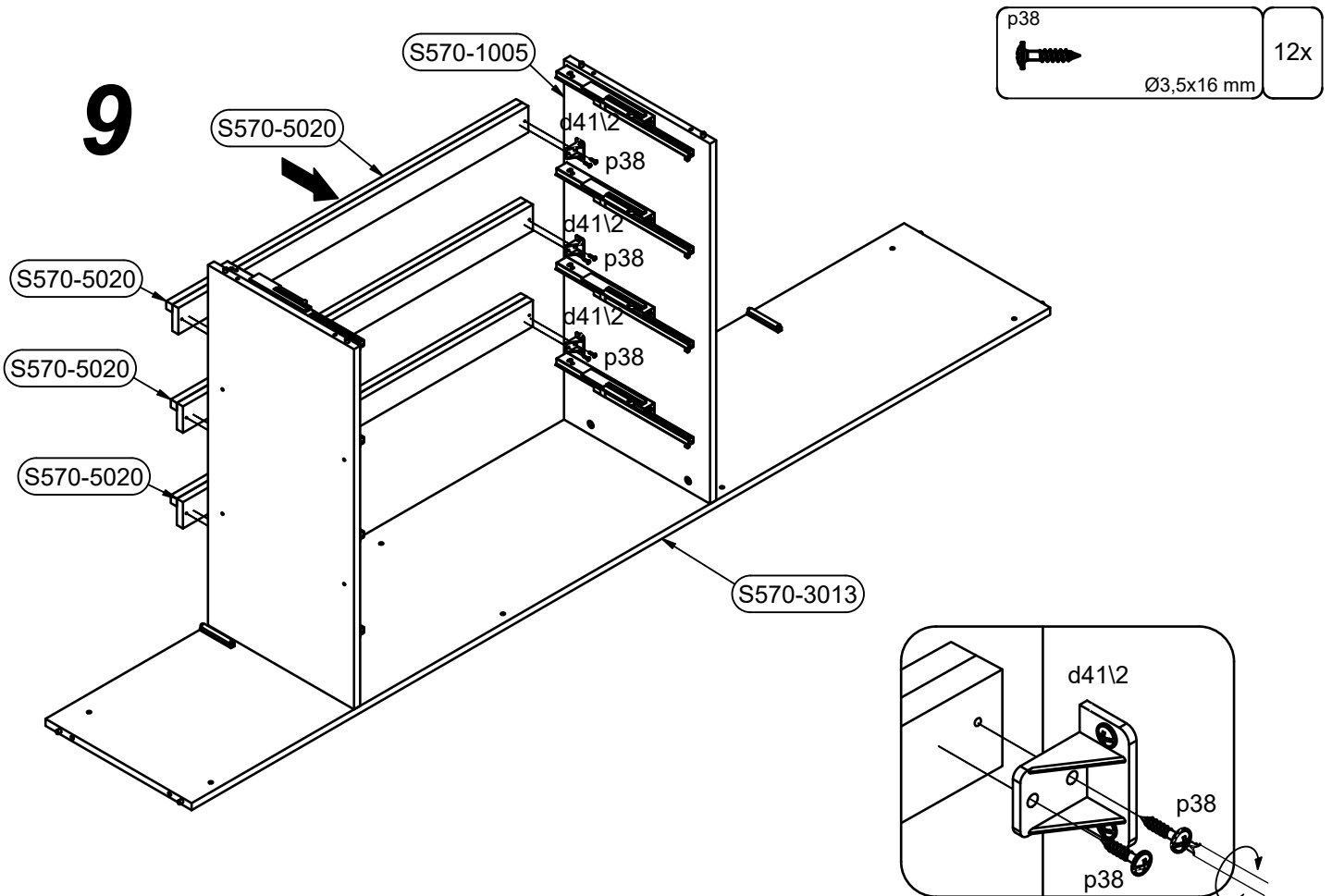
7 




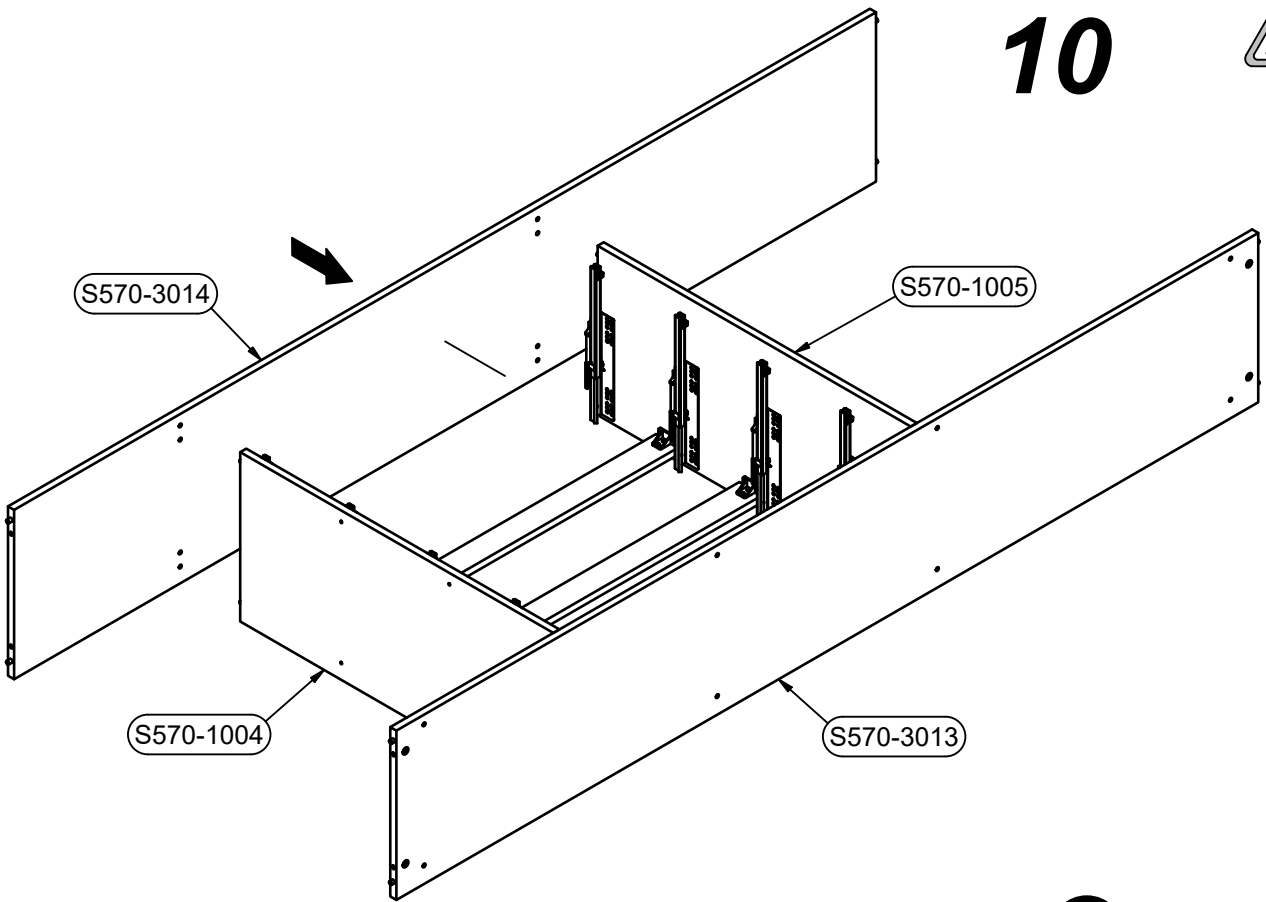
8



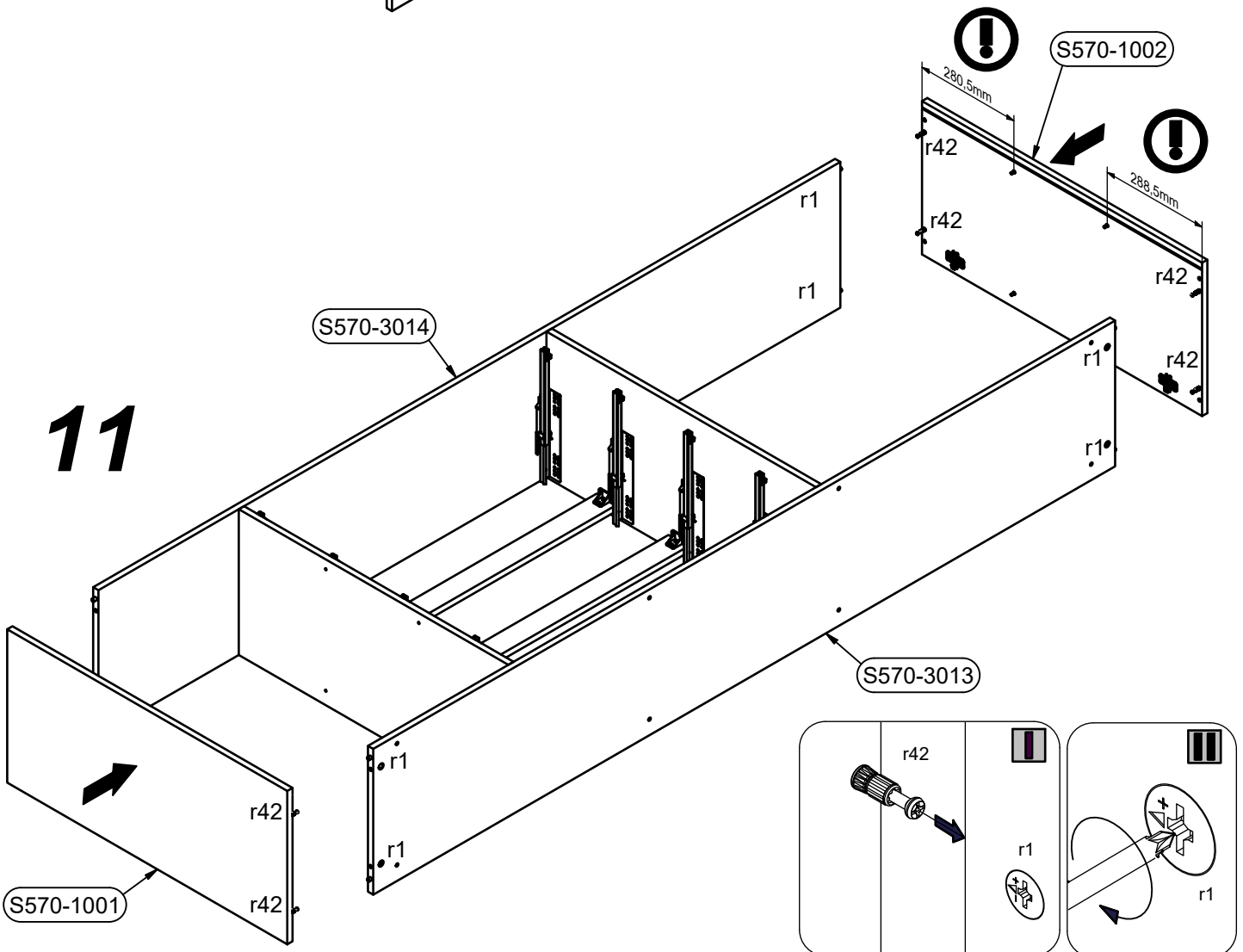
9

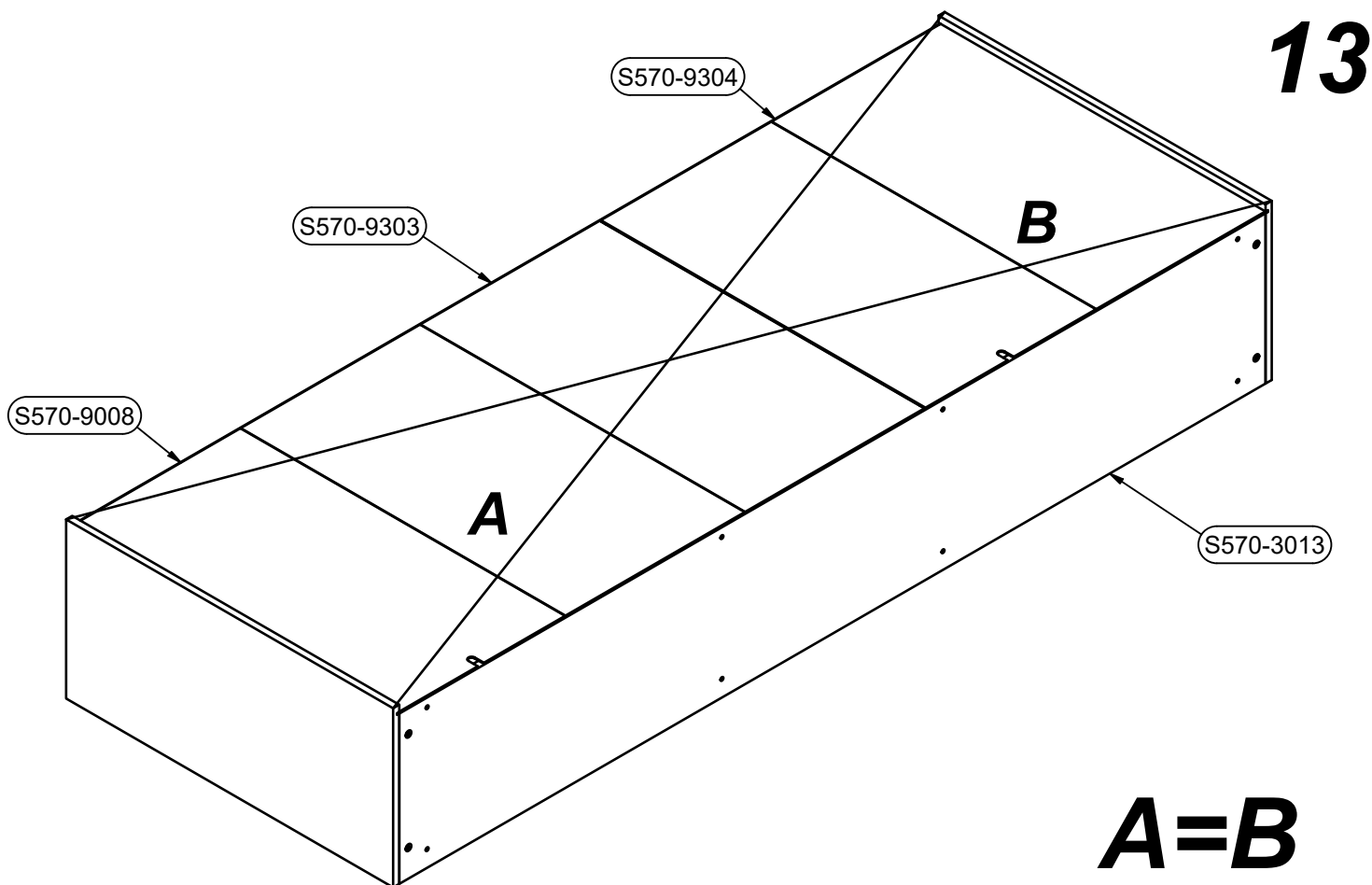
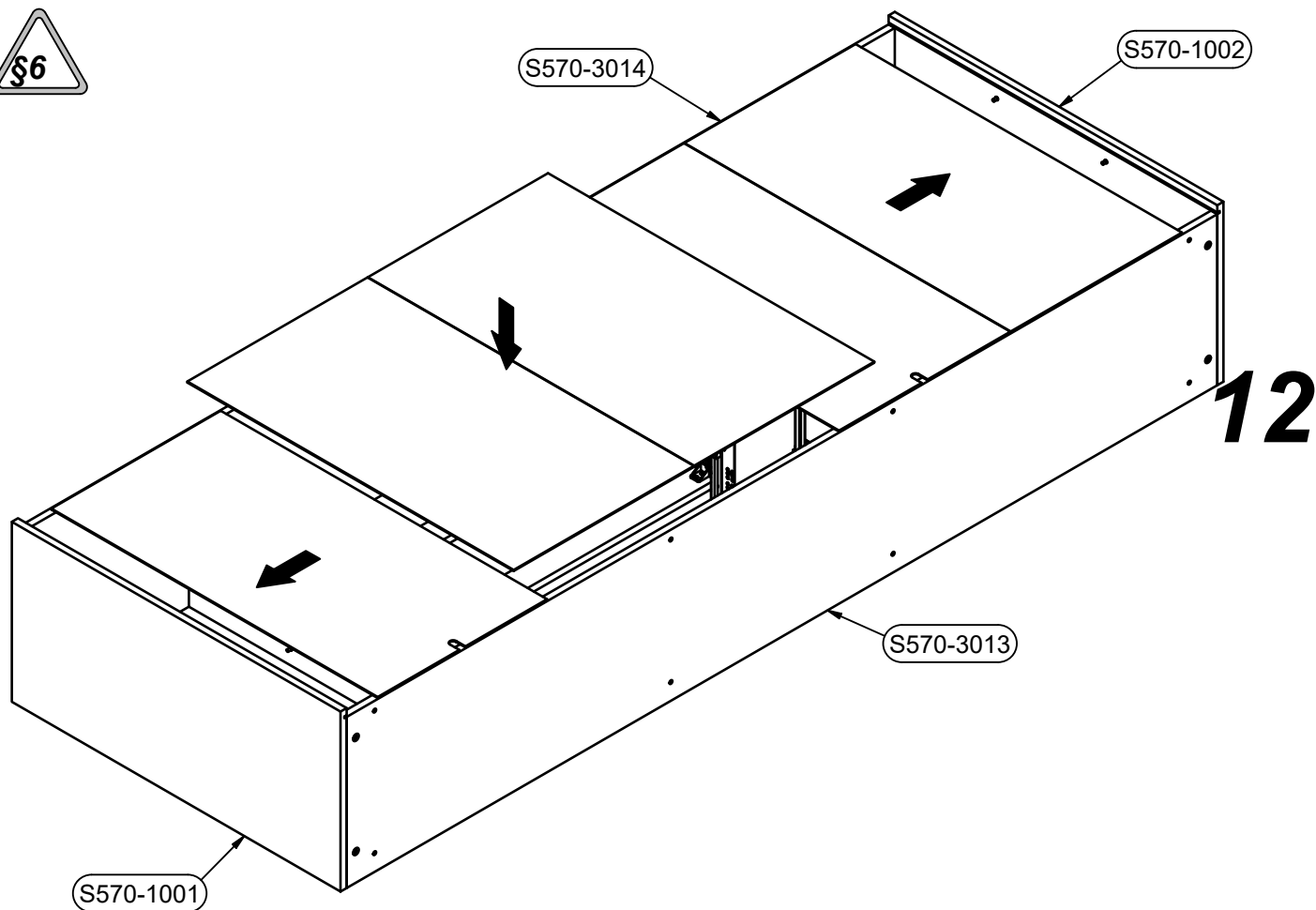


10

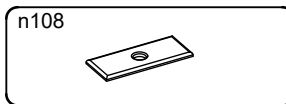


11

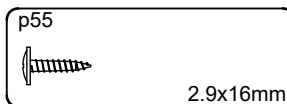




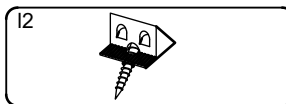
14 



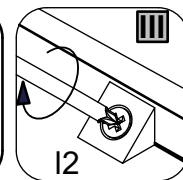
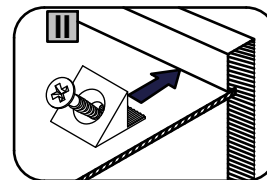
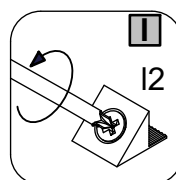
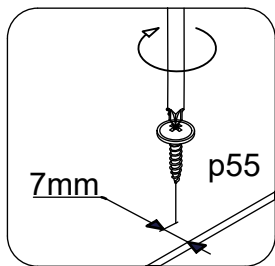
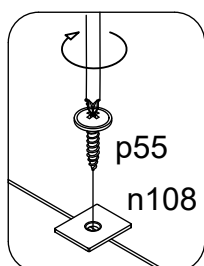
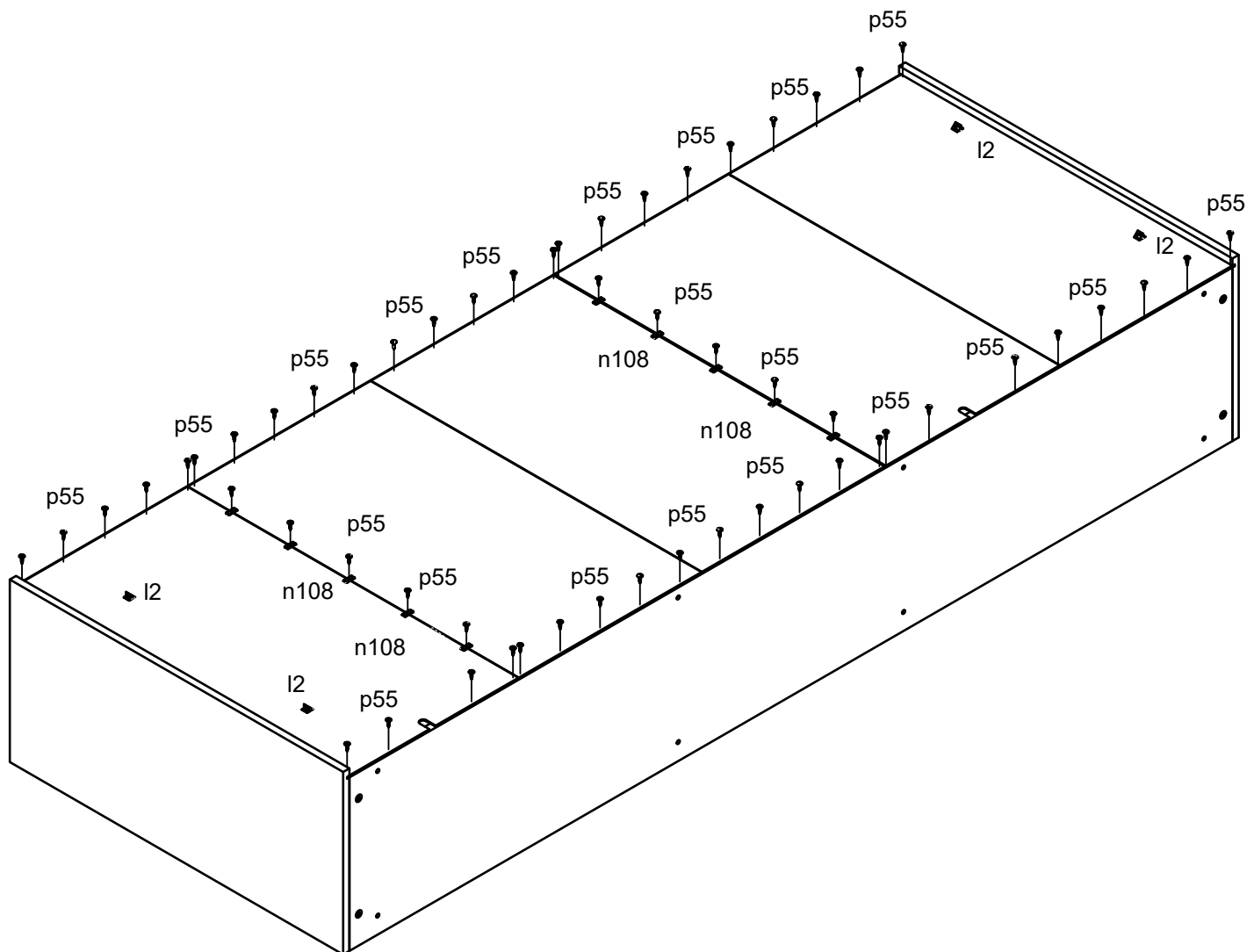
10X



56x
2.9x16mm

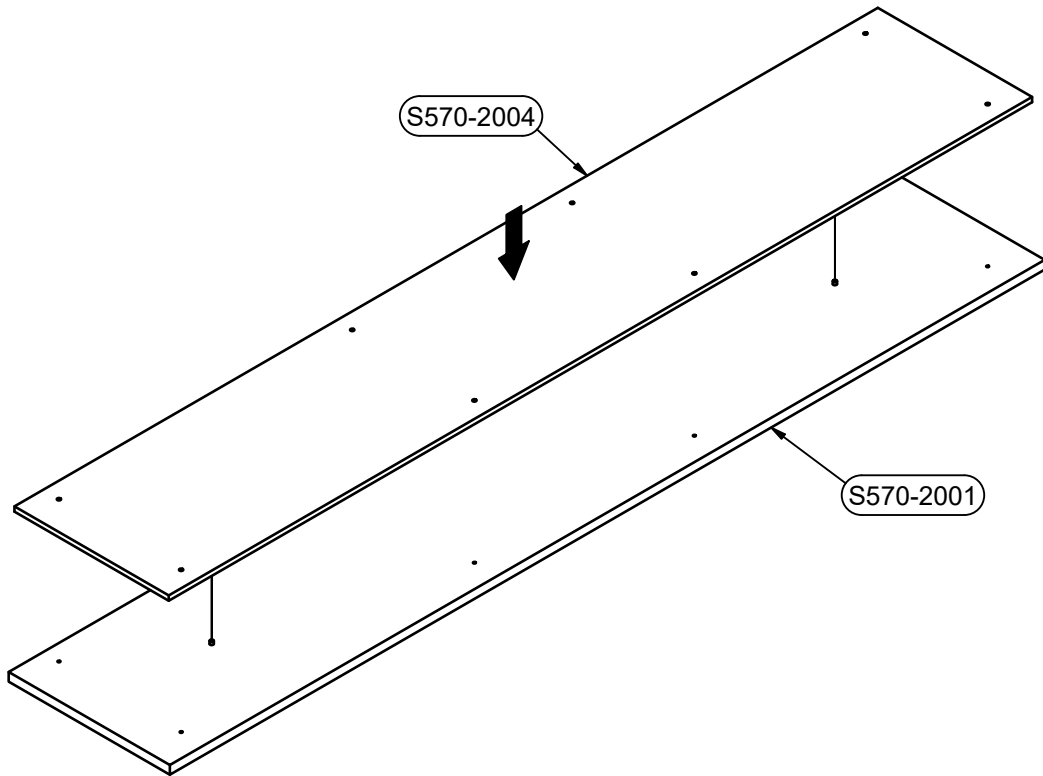


4X

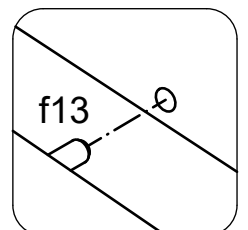
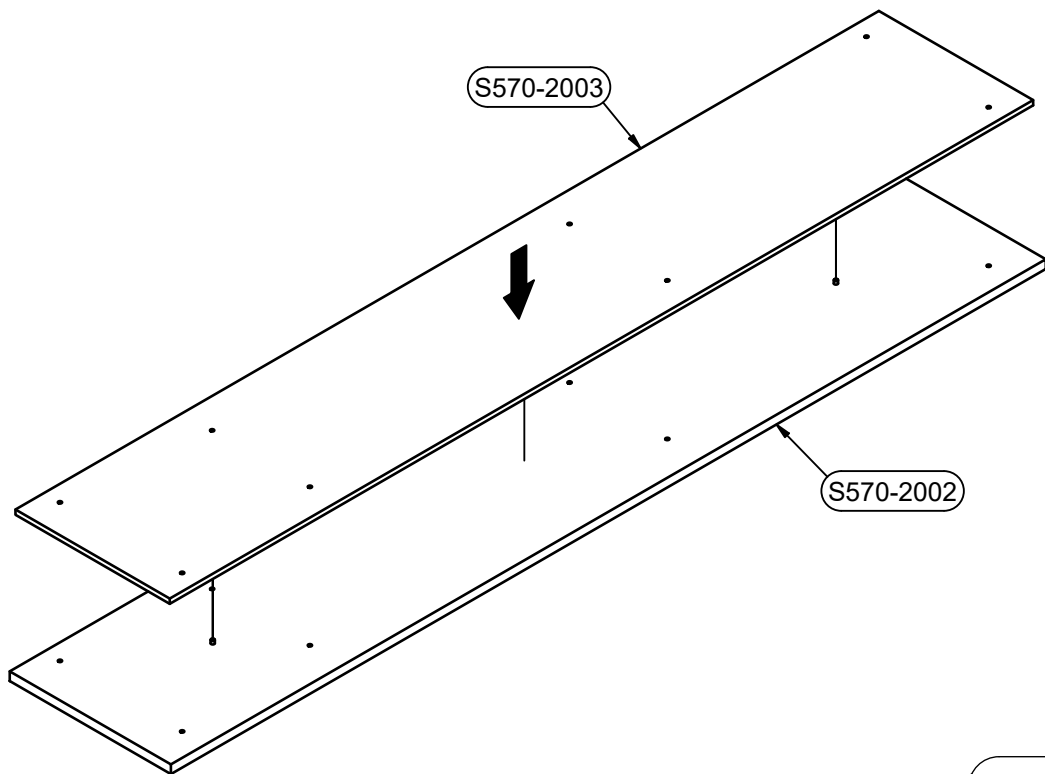


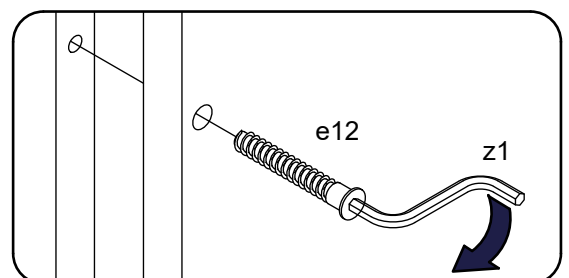
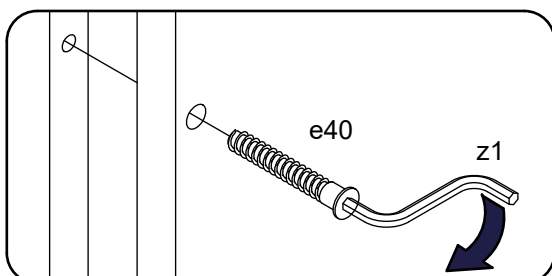
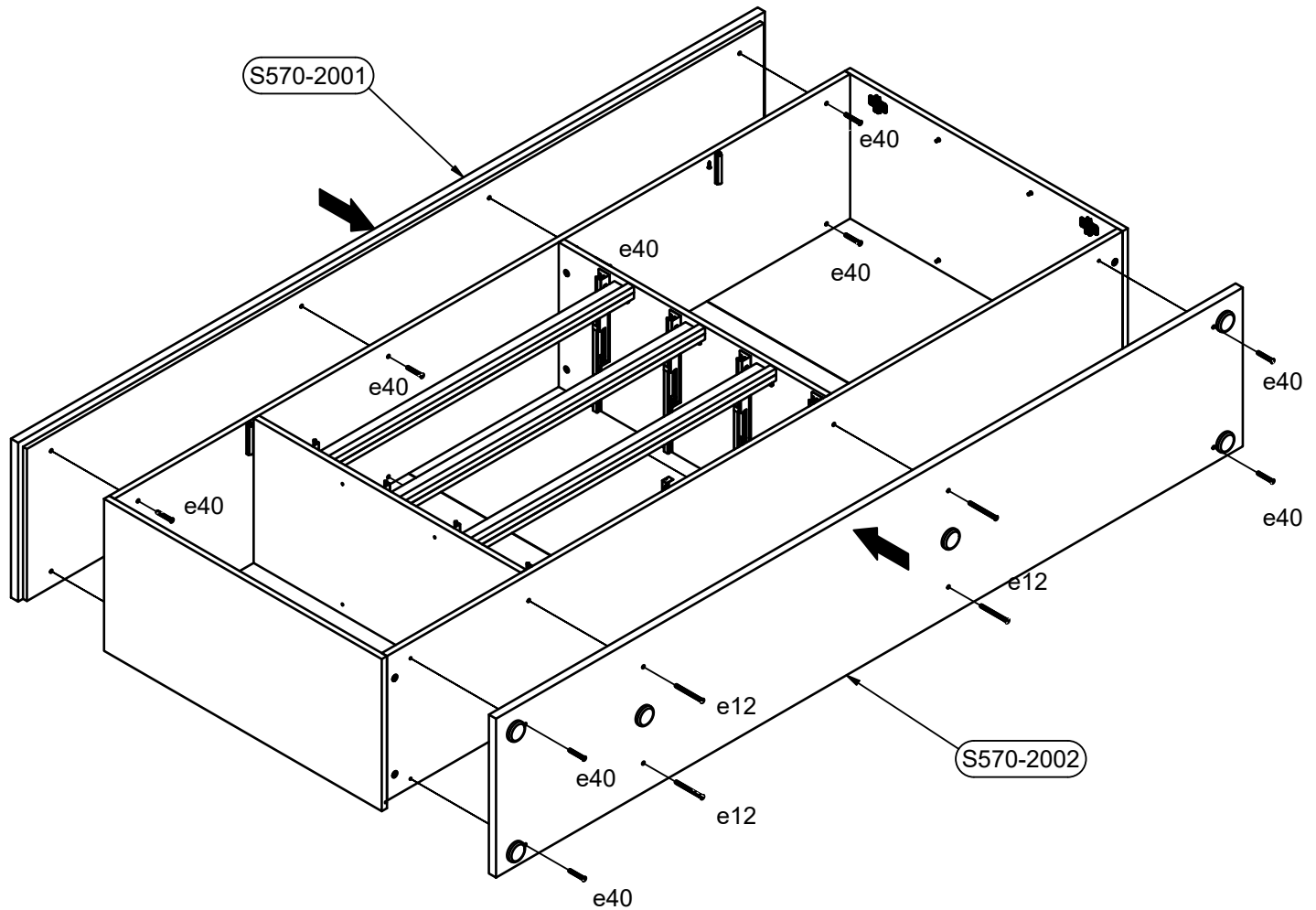
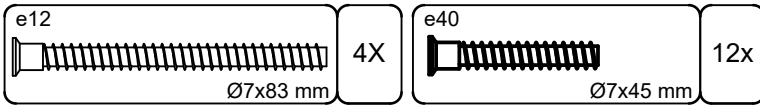


15


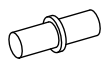


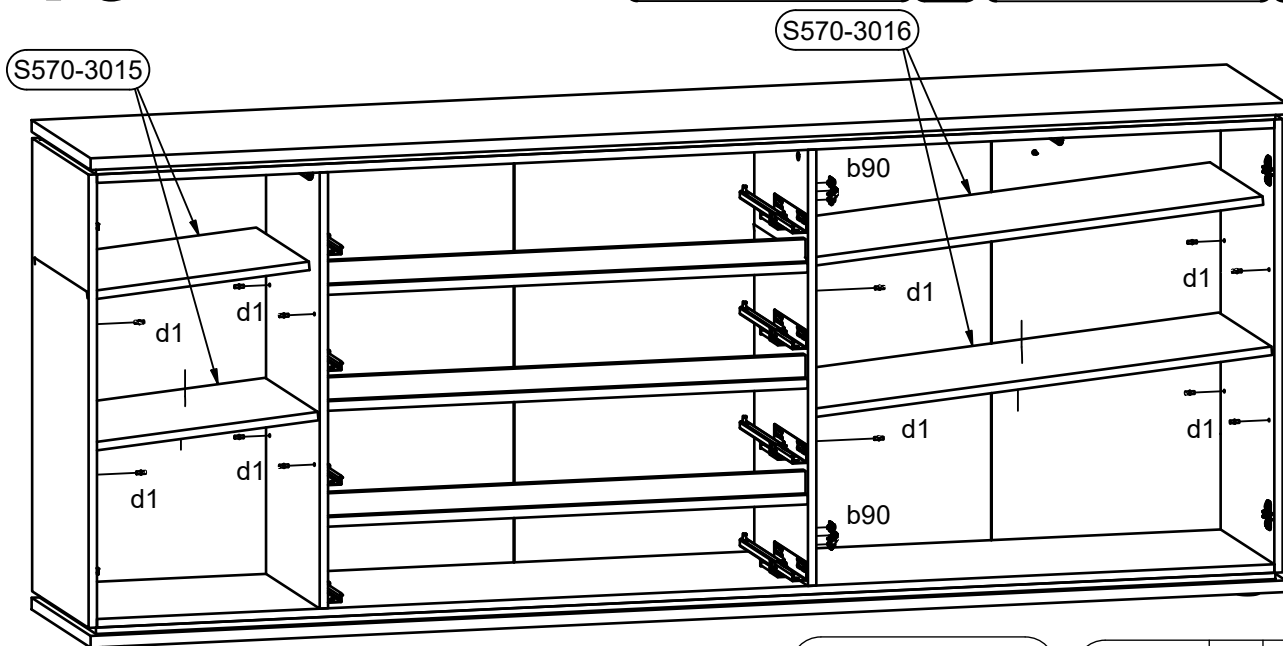
16



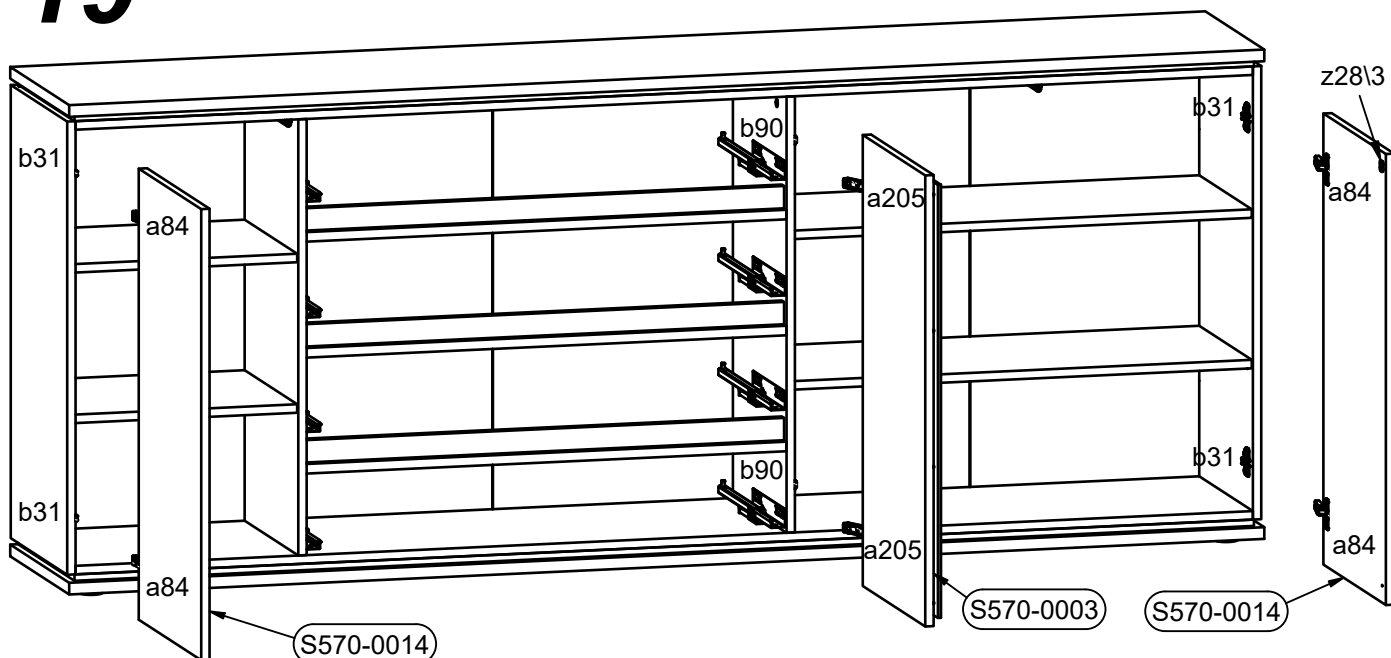


18

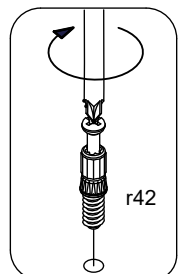
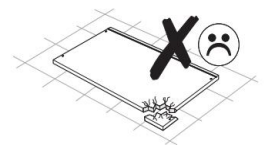
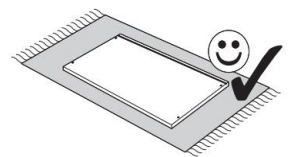
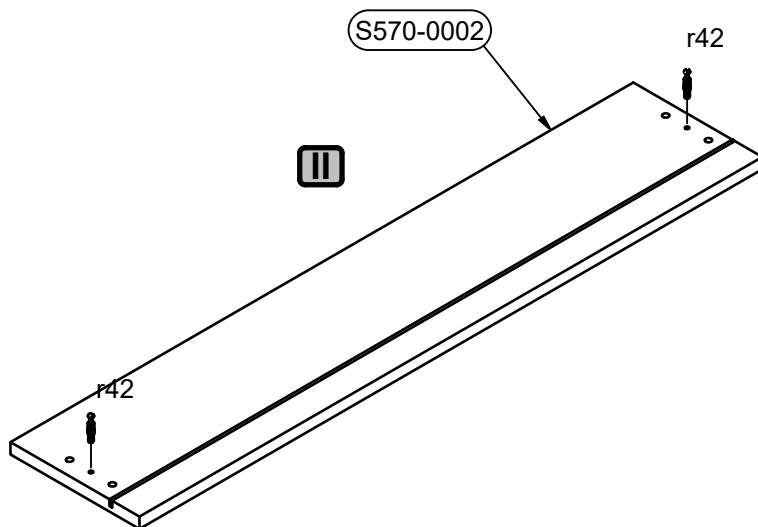
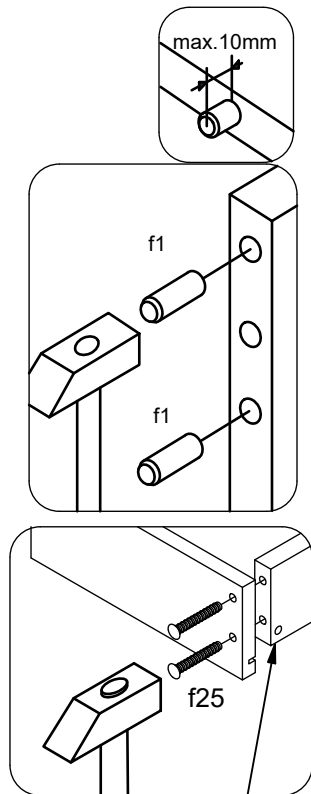
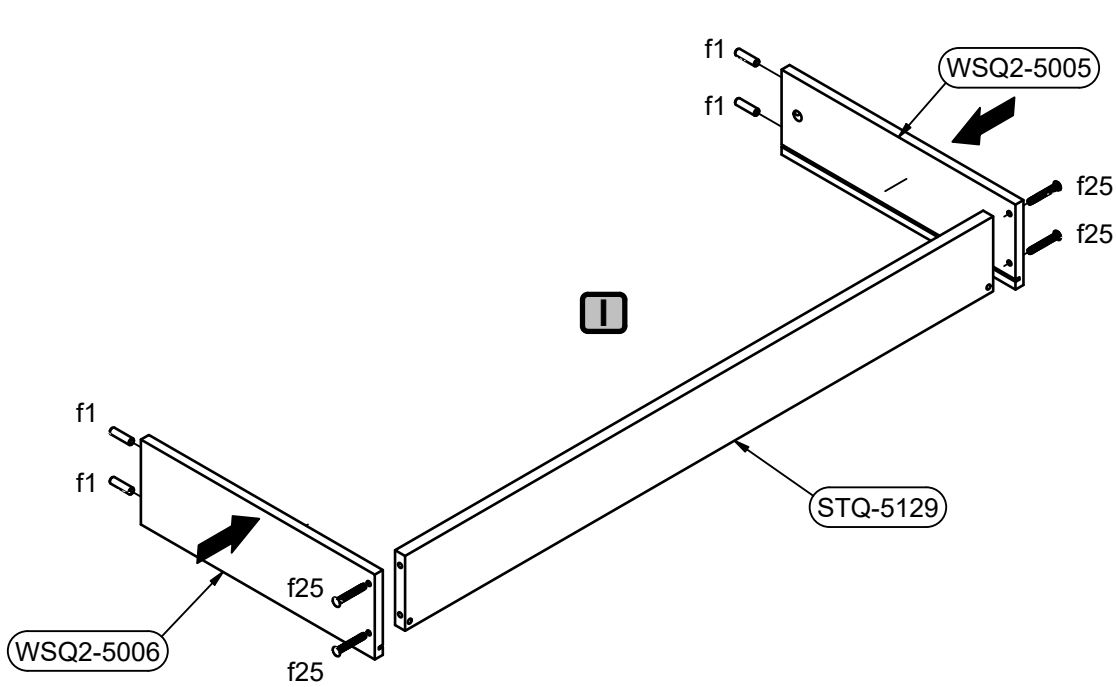
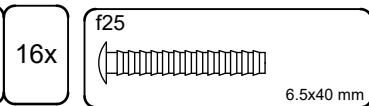
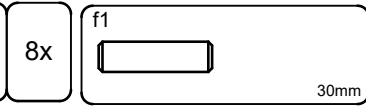
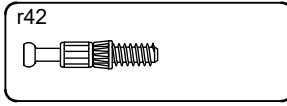
b90 	2x	d1 	16x Ø5x17 mm
--	----	---	-----------------


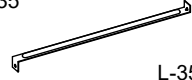
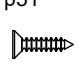
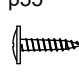


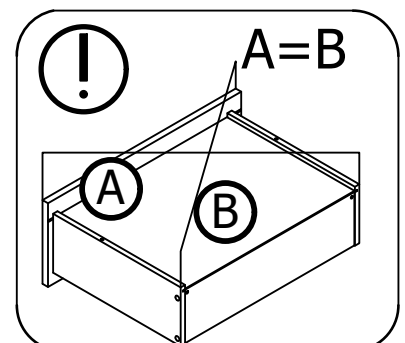
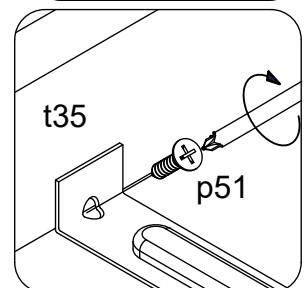
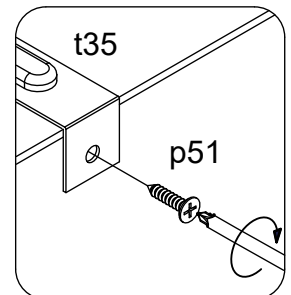
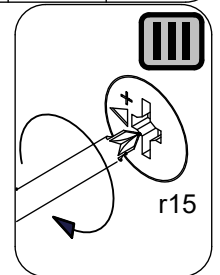
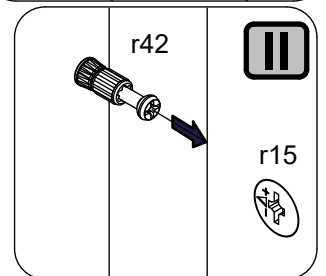
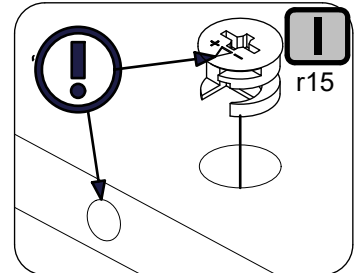
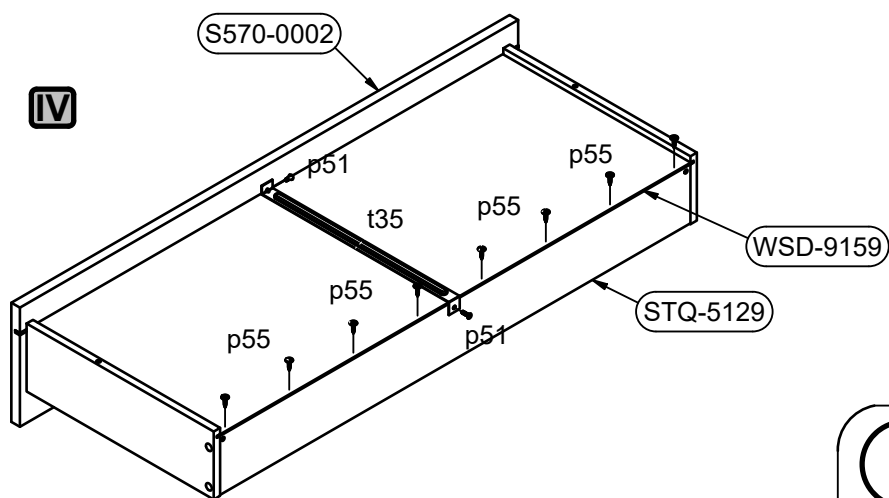
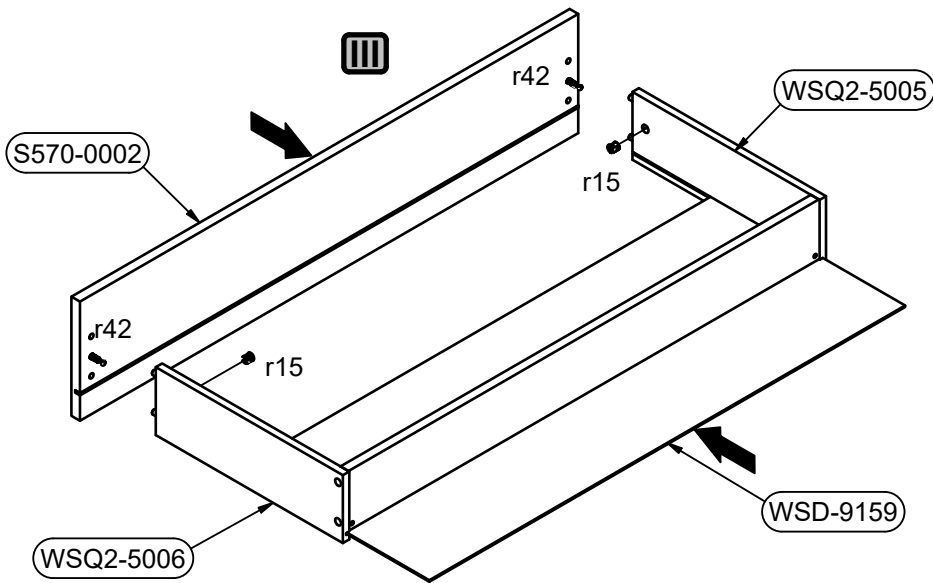
19




20
4X

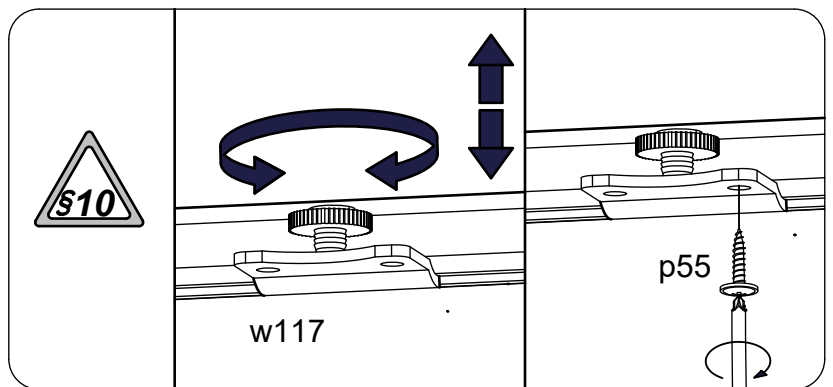
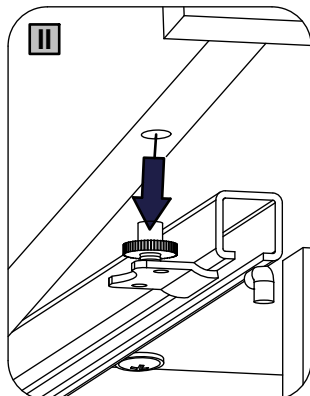
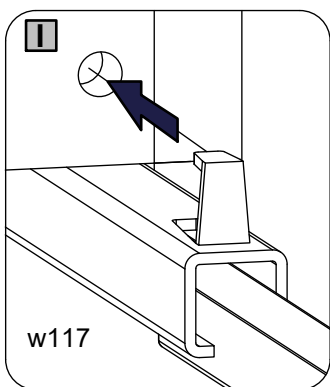
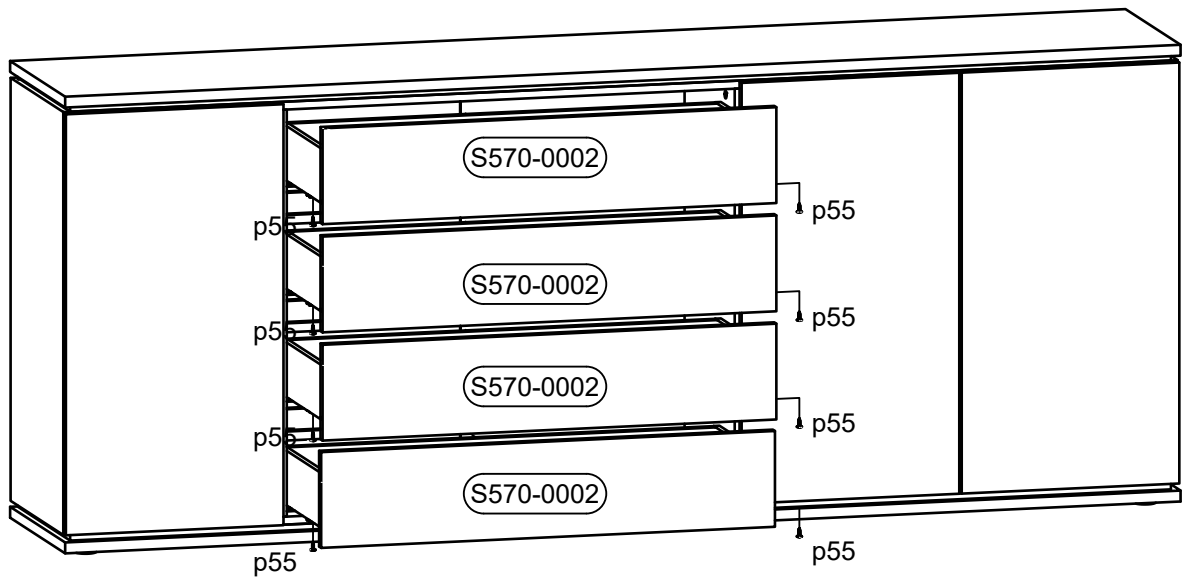


r15  12x10,5mm 8x	t35  L-3500mm 4x	p51  Ø3.5x15 mm 8x	p55  2.8x16mm 32x
---	---	---	--

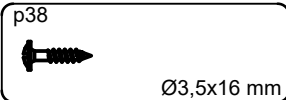


21

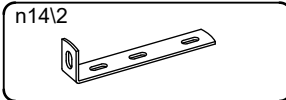
p55 	8x 2.8x16mm
--	----------------



22



4x



2x

