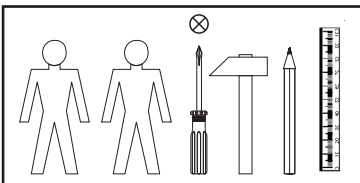
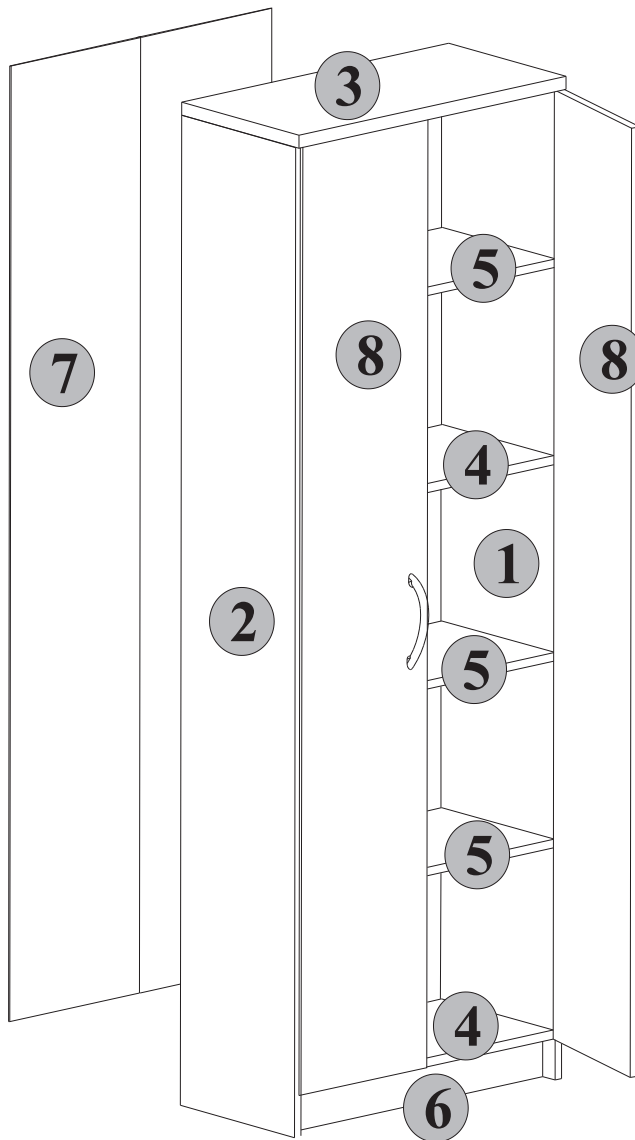
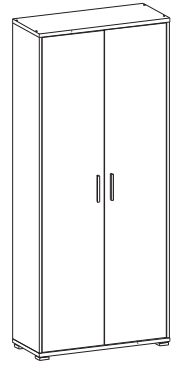
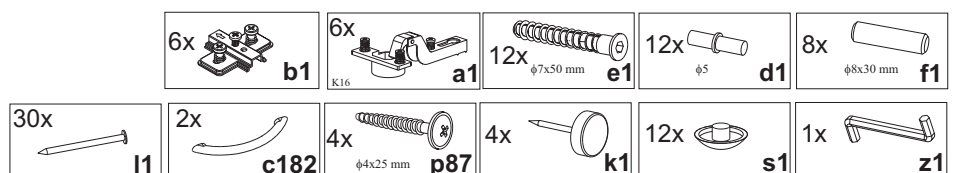


S19-HE_SZF

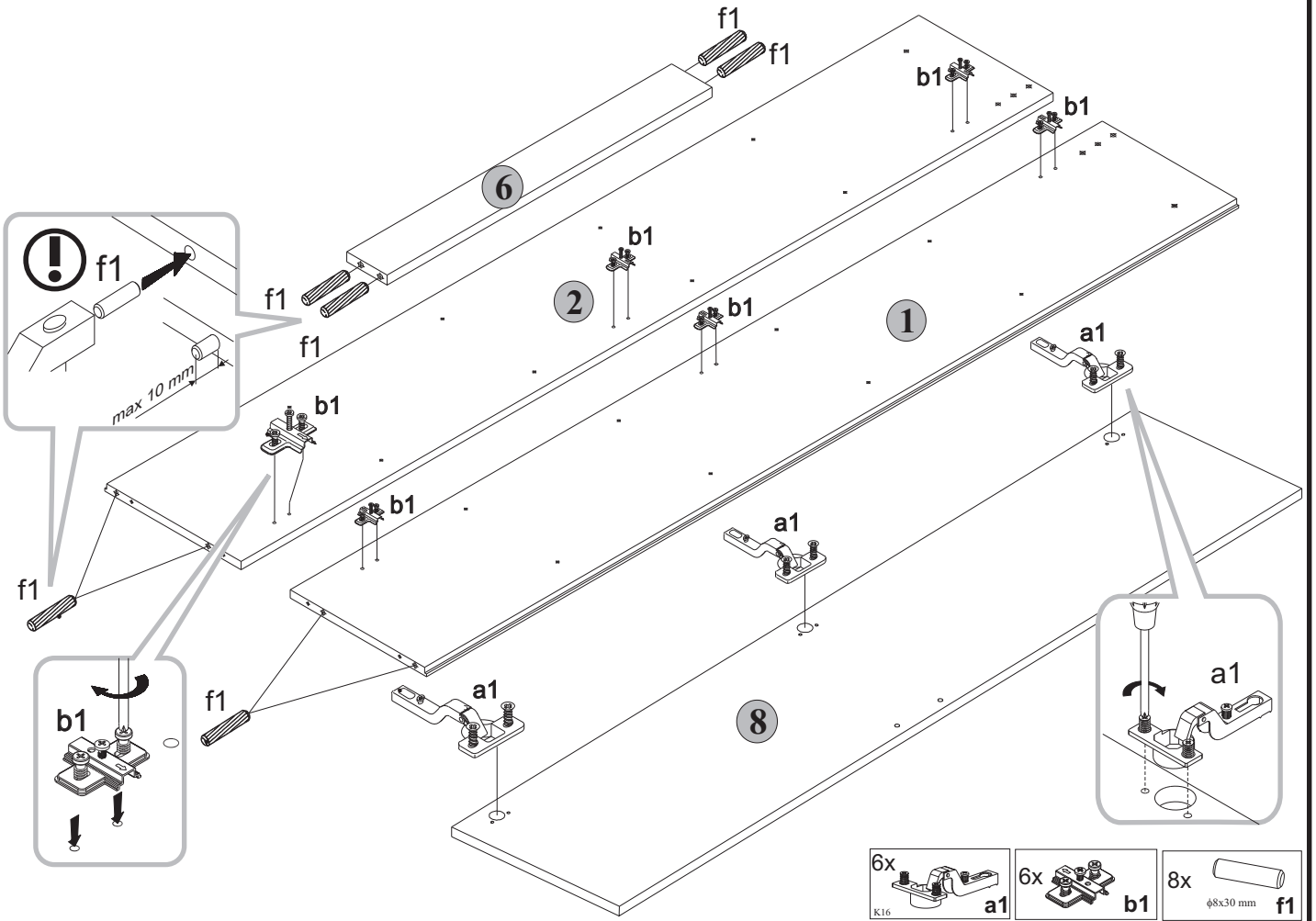
39-270
70-270, 89-270



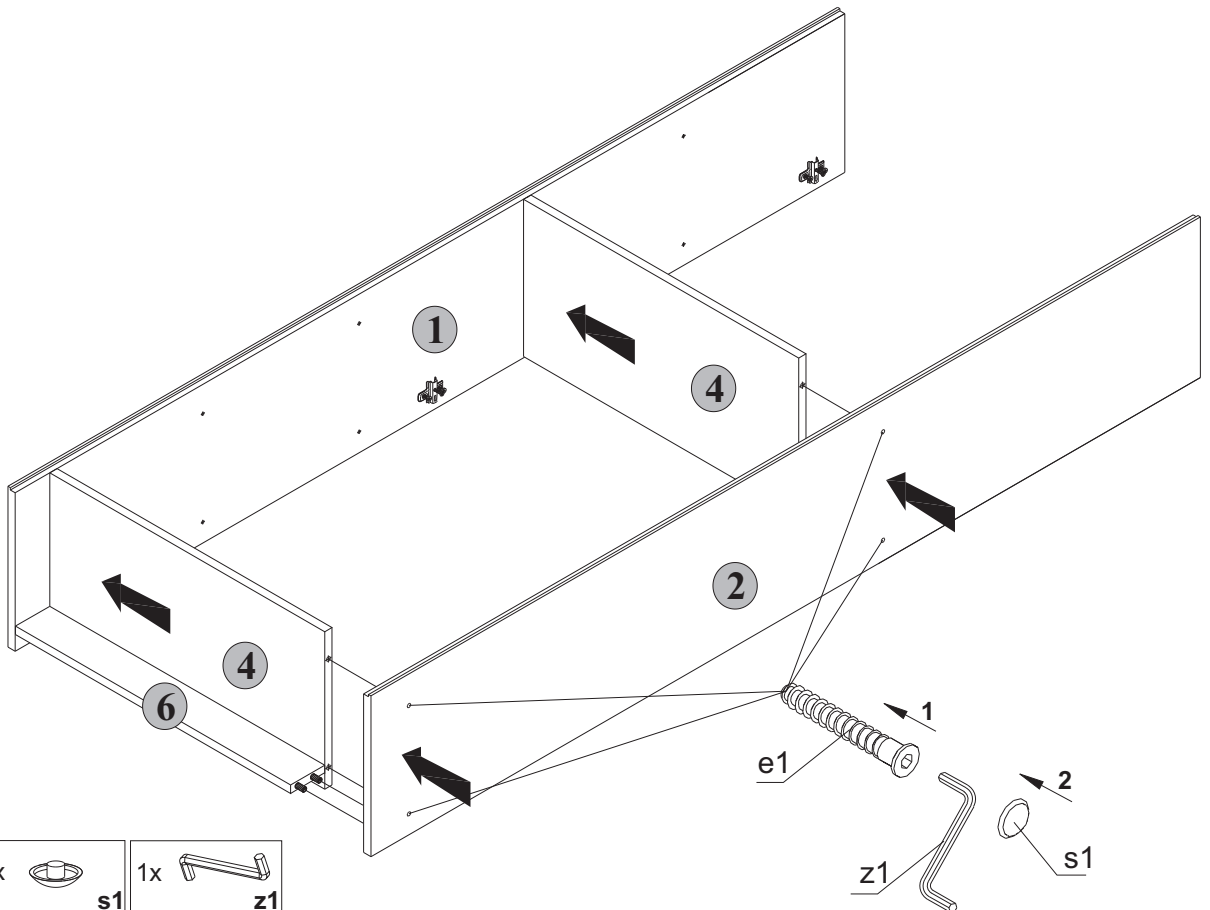
A	B	C	D
1	S19-122	1838x340	6/8
2	S19-121	1838x340	6/8
3	S19-233	750x347	7/8
4	S19-316	716x317	7/8
5	S19-317	715x317	7/8
6	S19-417	716x70	7/8
7	S19-928	1776x735	6/8
8	S19-005	1764x355	6/8



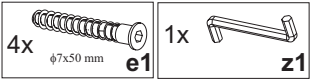
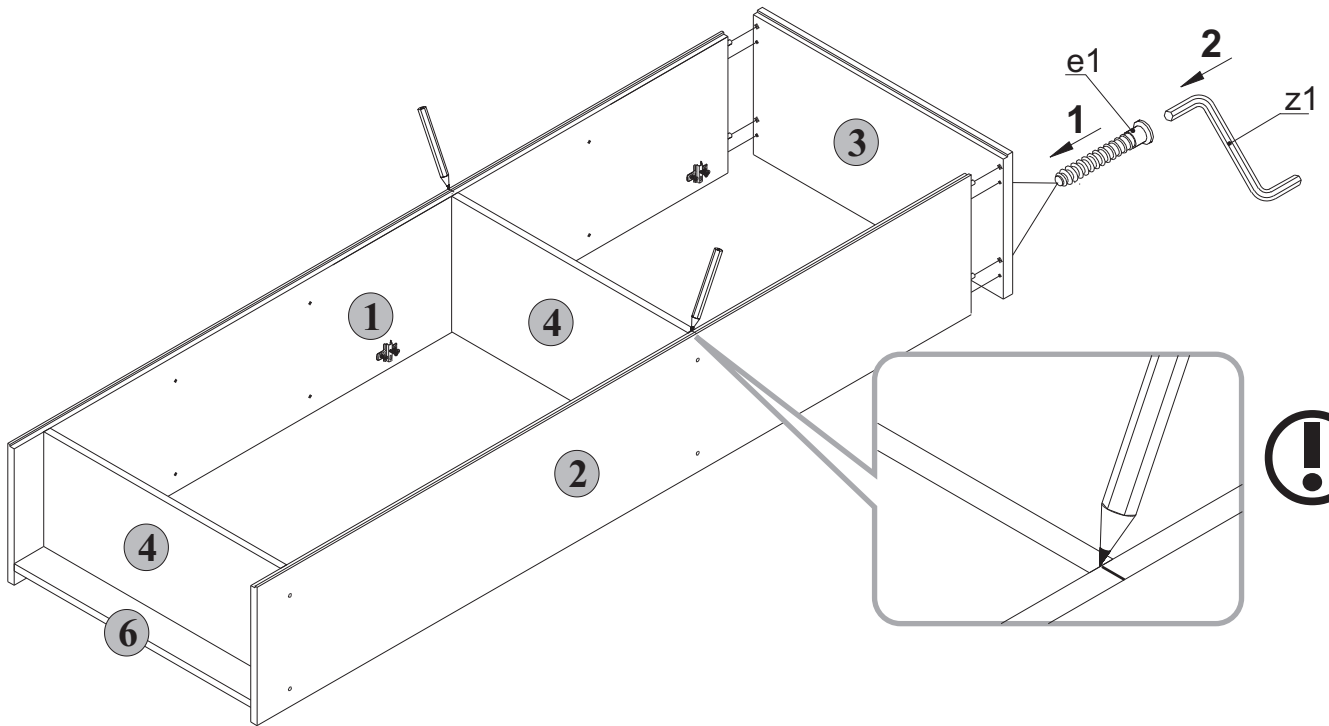
1



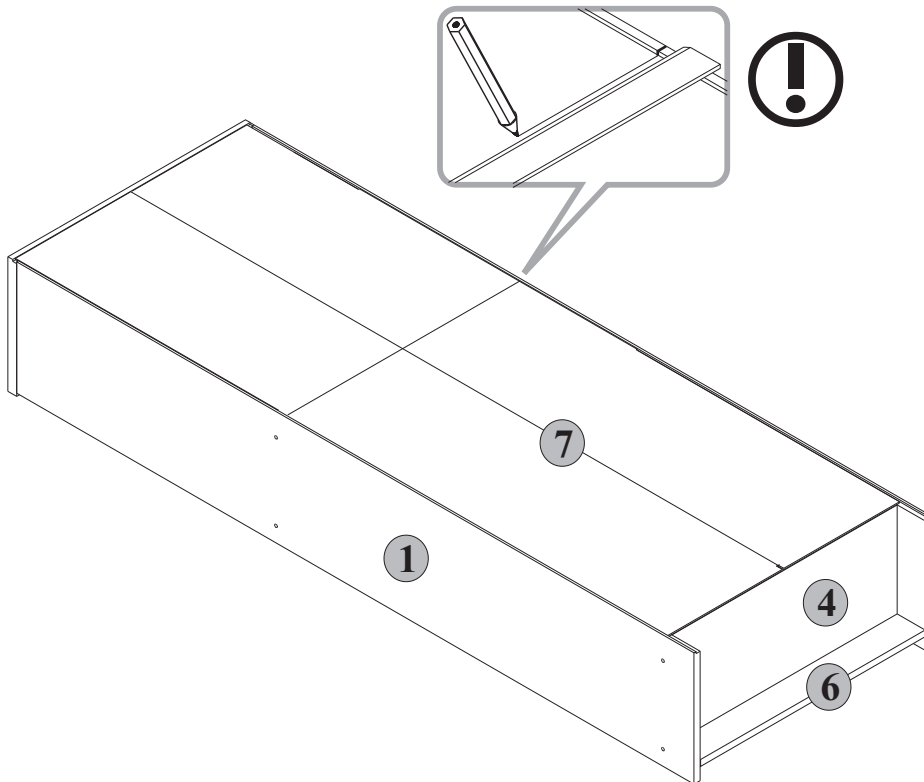
2



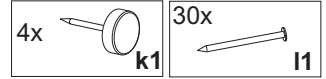
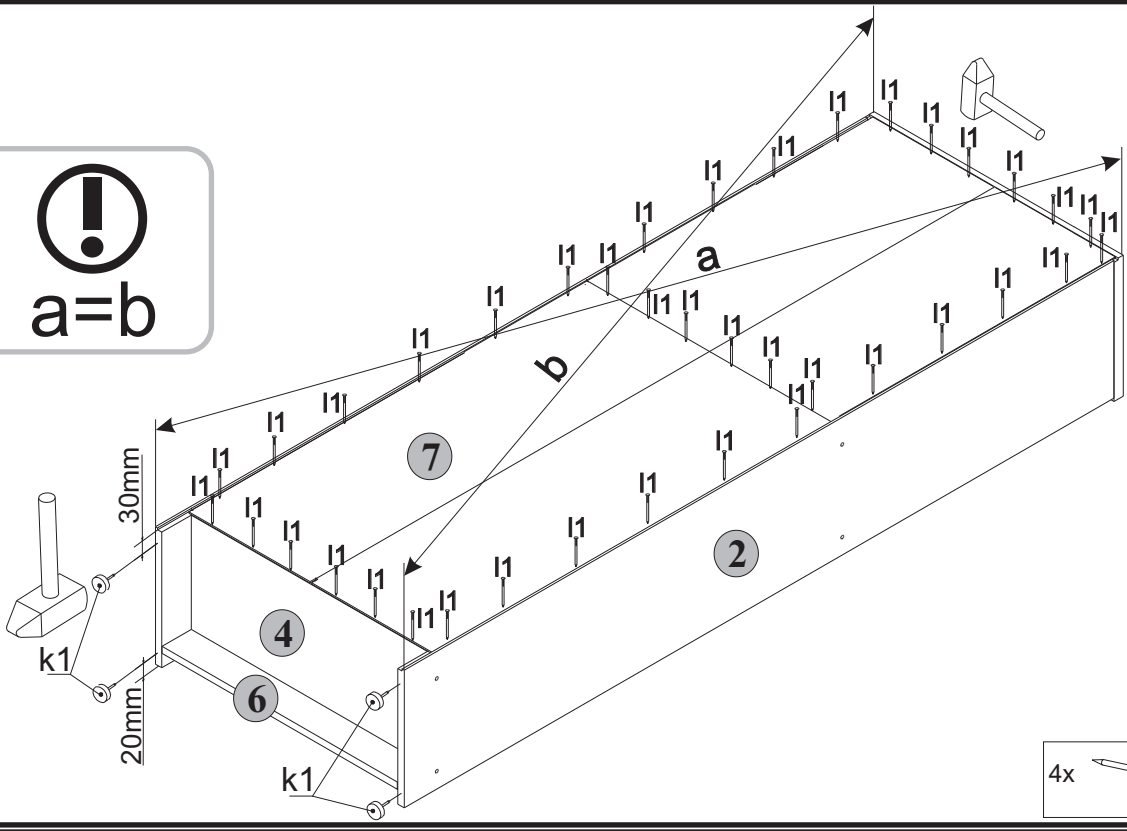
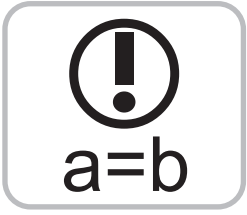
3



4



5



6

