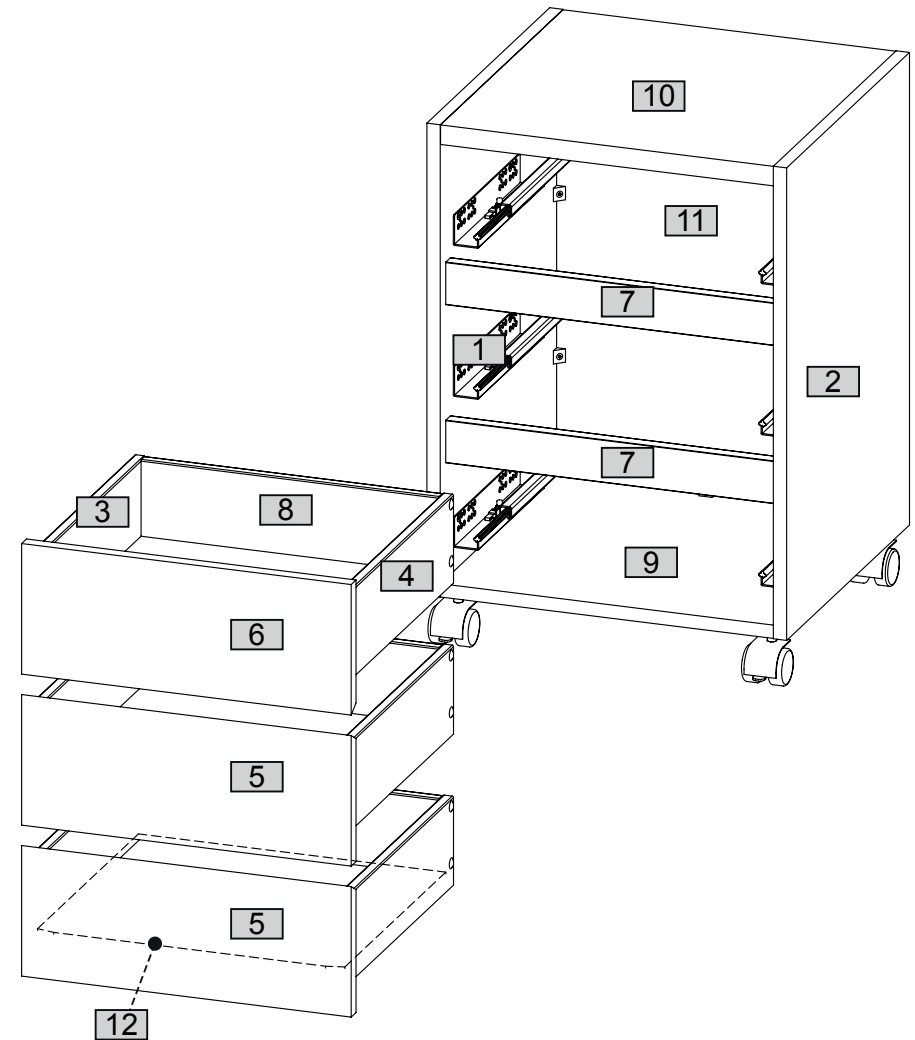
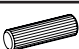






| Nr | Ausmaß | | | St |
|----|--------|-----|----|----|
| | | | | |
| 1 | 532 | 380 | 15 | 1 |
| 2 | 532 | 380 | 15 | 1 |
| 3 | 318 | 100 | 12 | 3 |
| 4 | 318 | 100 | 12 | 3 |
| 5 | 371 | 147 | 15 | 2 |
| 6 | 371 | 147 | 15 | 1 |
| 7 | 375 | 48 | 15 | 2 |
| 8 | 335 | 100 | 12 | 3 |
| 9 | 375 | 379 | 15 | 1 |
| 10 | 375 | 379 | 22 | 1 |
| 11 | 508 | 389 | 2 | 1 |
| 12 | 346 | 317 | 2 | 3 |

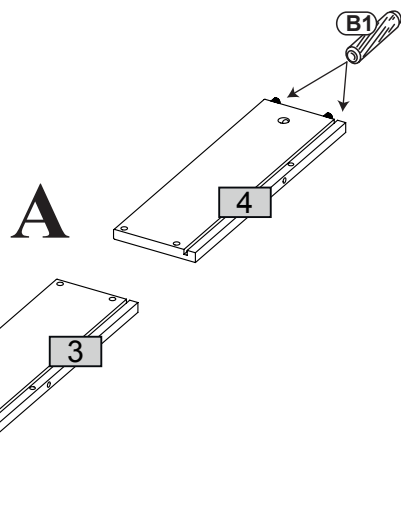


0 10 20 30 40 50 60 70 80 90 100 110 120 130 140 150 160 170 180 190 200

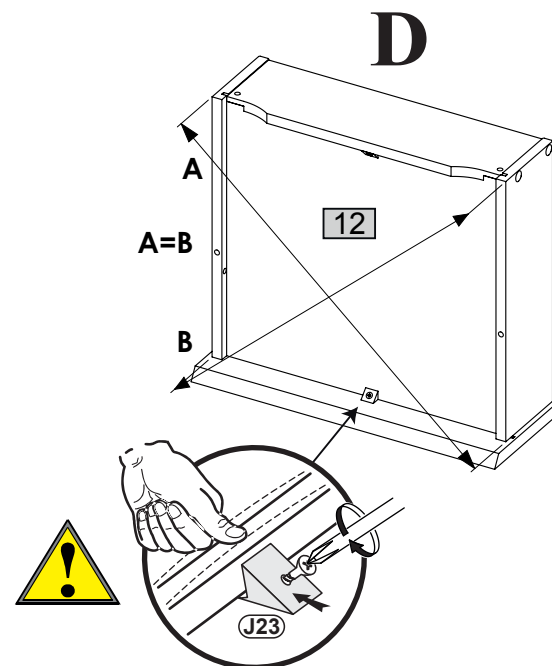
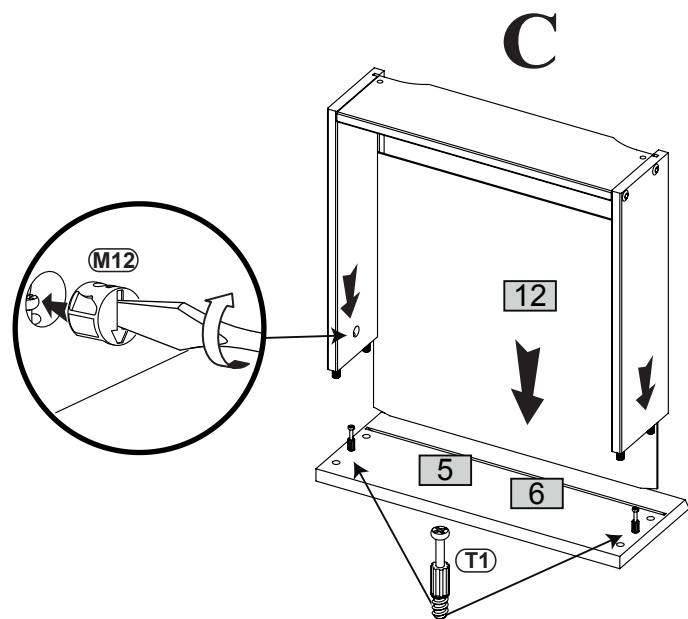
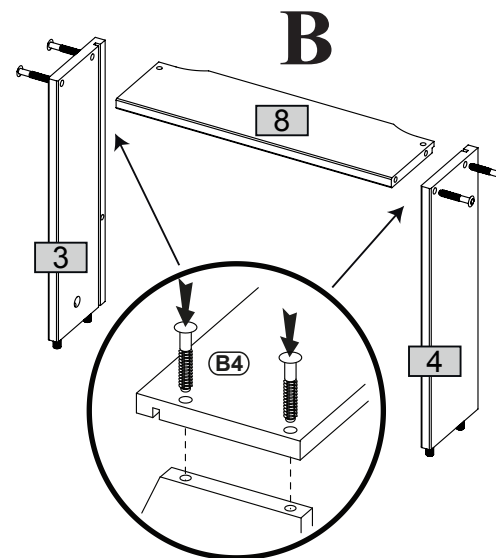


- 1** **B1**  $\phi 8 \times 28$ x12
- M12**  x6
- T1**  x6
- J23**  x6

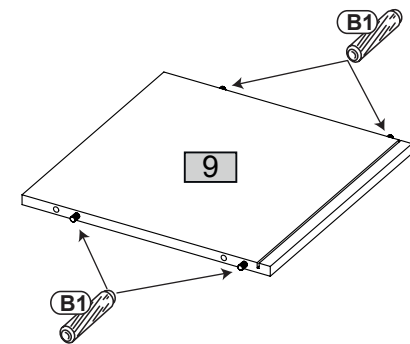
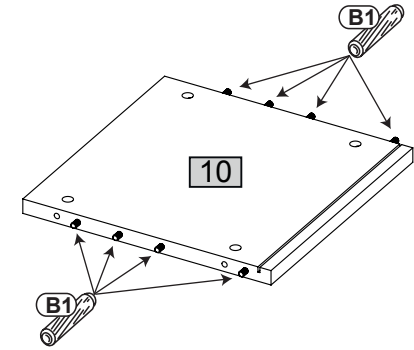
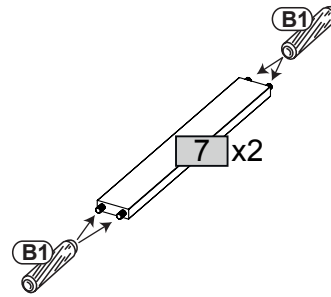
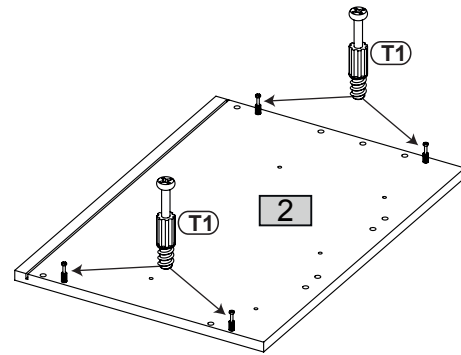
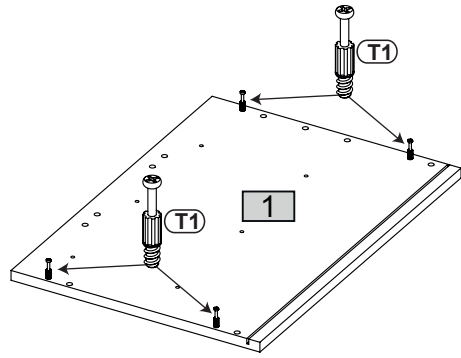
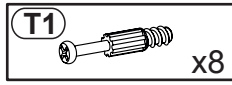
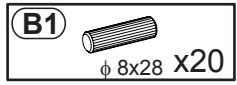
- B4**  x12



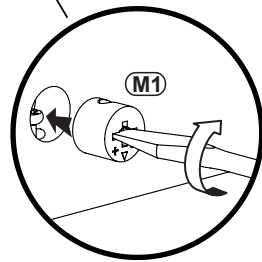
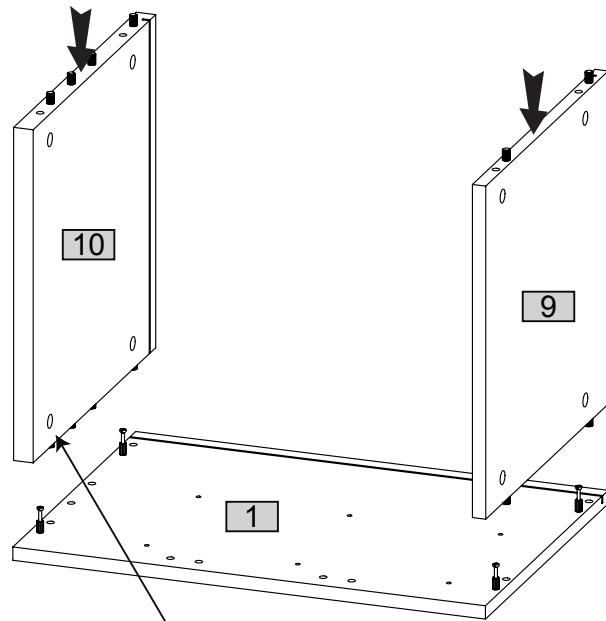
x3



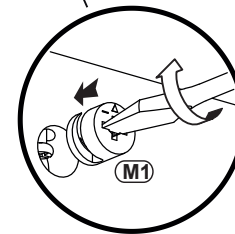
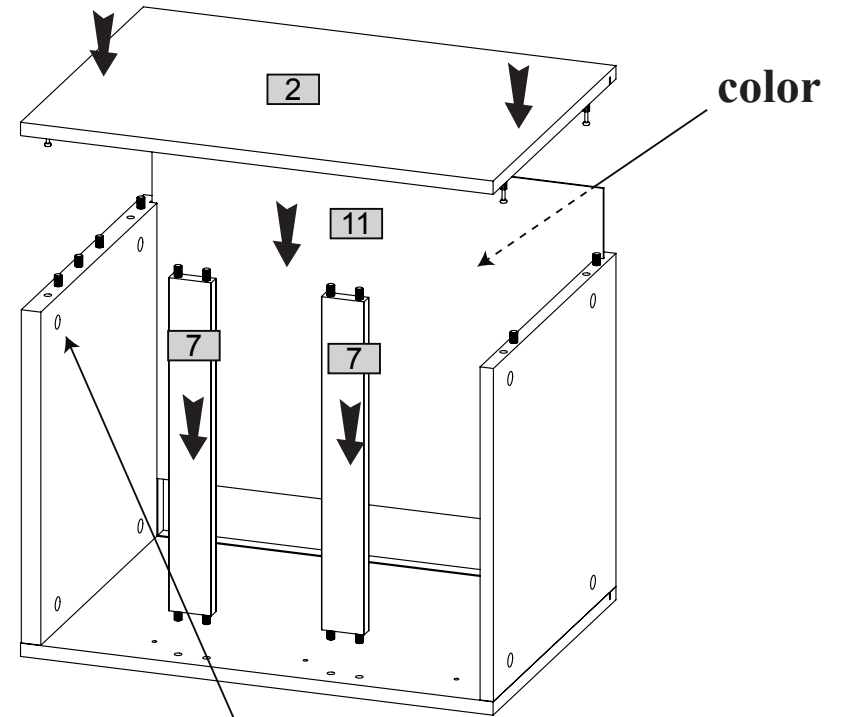
2



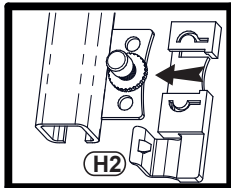
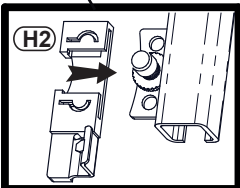
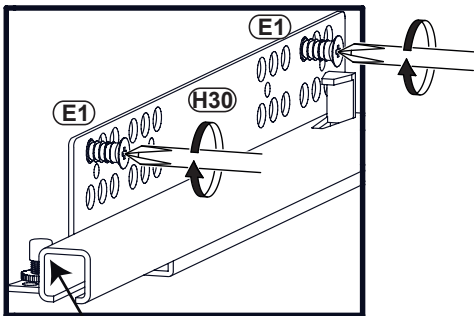
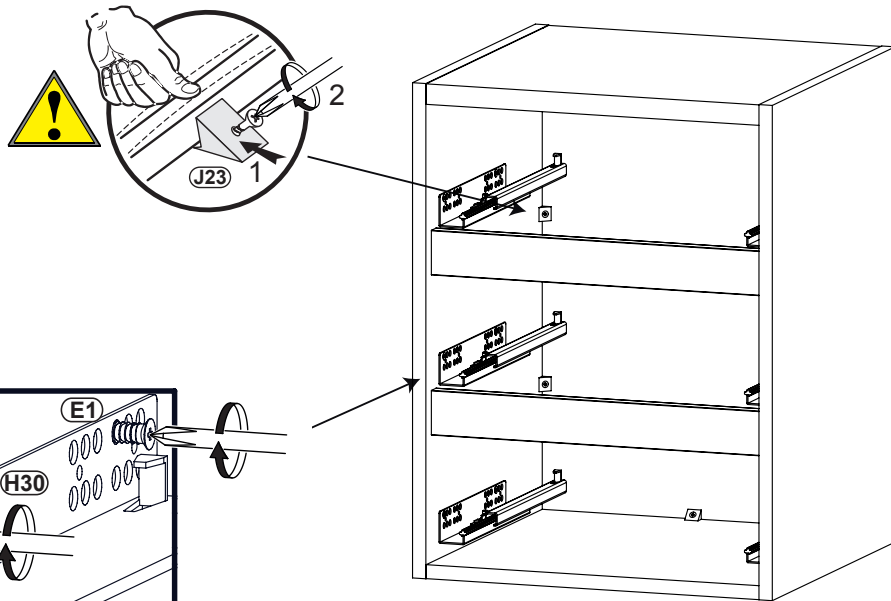
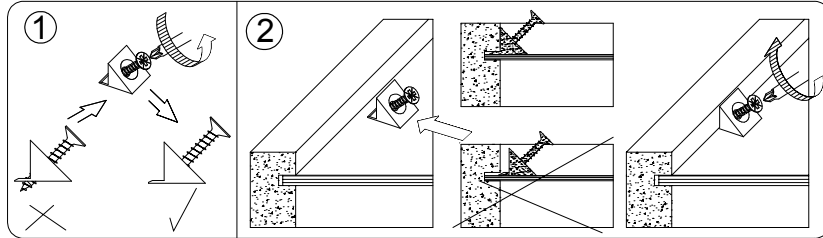
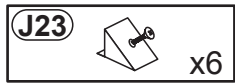
3



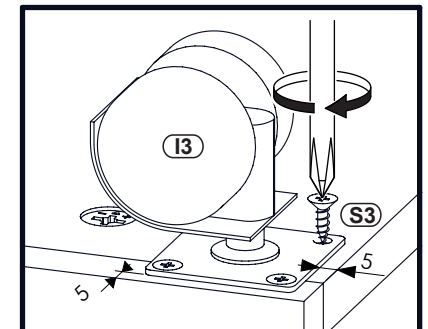
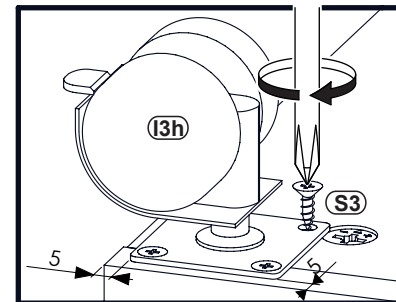
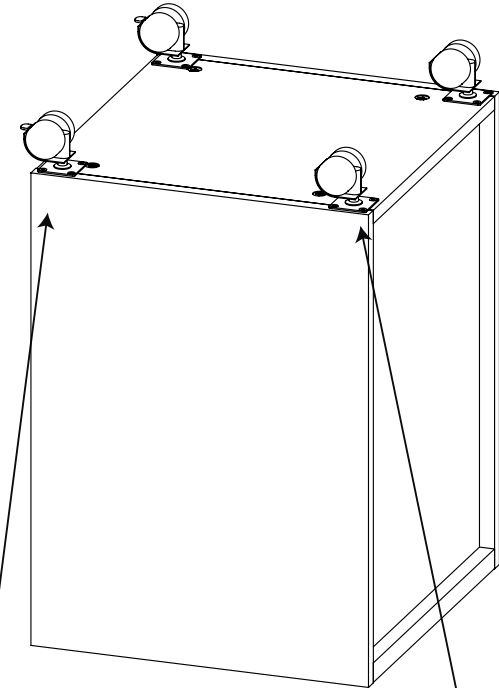
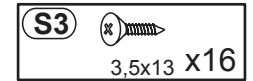
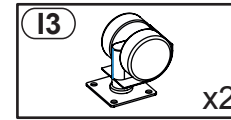
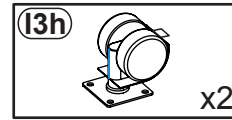
4



5



6



7

