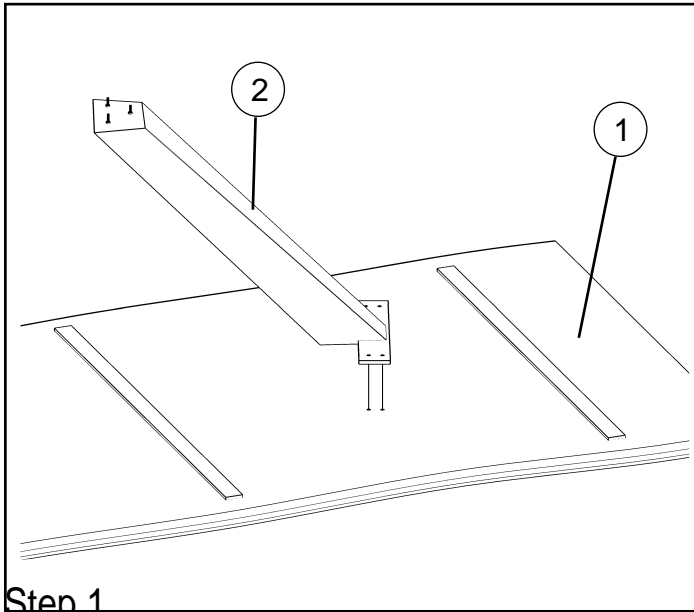
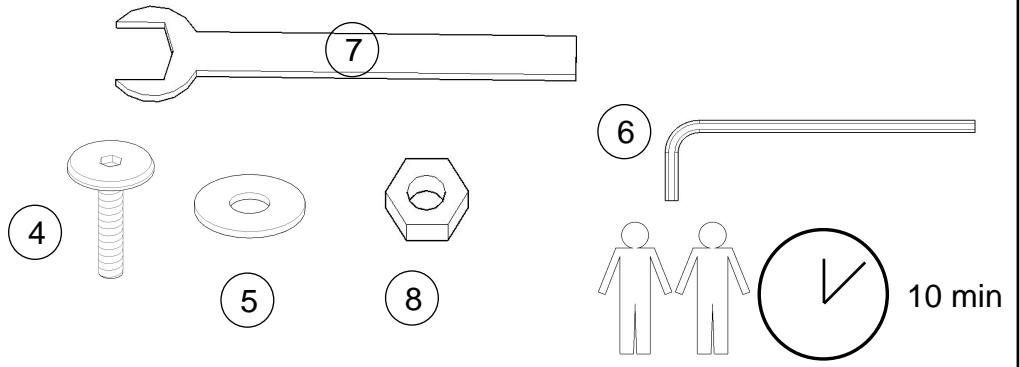
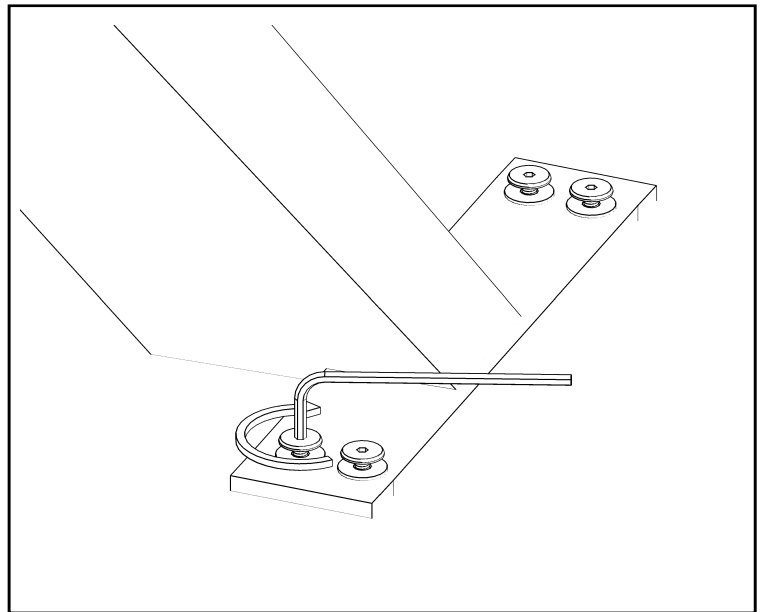


COMPONENTS

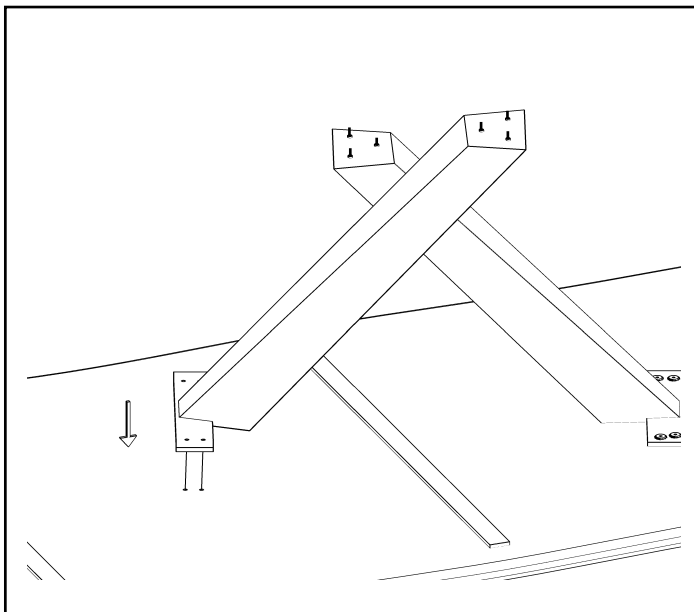
| | | |
|----|---------------------|----|
| 1. | live edge epoxy top | 1 |
| 2. | Leg | 2 |
| 3. | Base | 1 |
| 4. | Bolts | 8 |
| 5. | Washer | 14 |
| 6. | Allen key | 1 |
| 7. | Spanner | 1 |
| 8. | Nut | 6 |



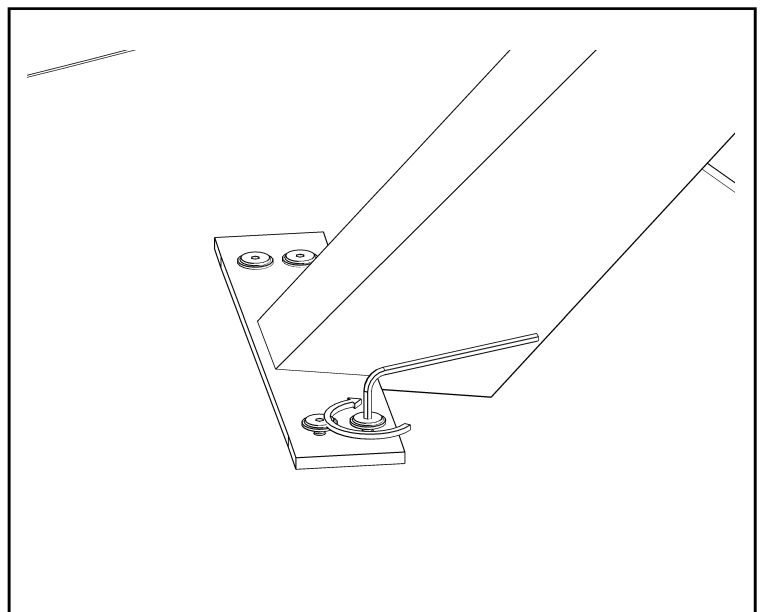
Step 1



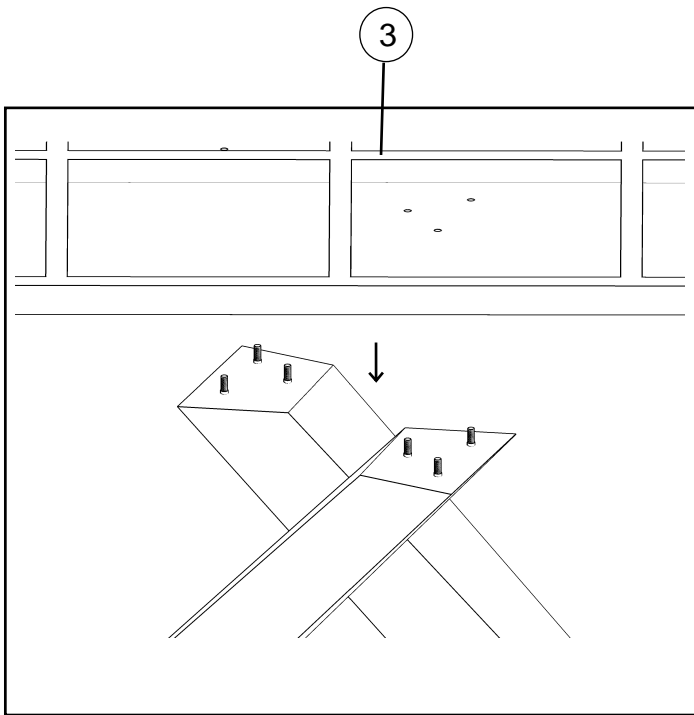
Step 2



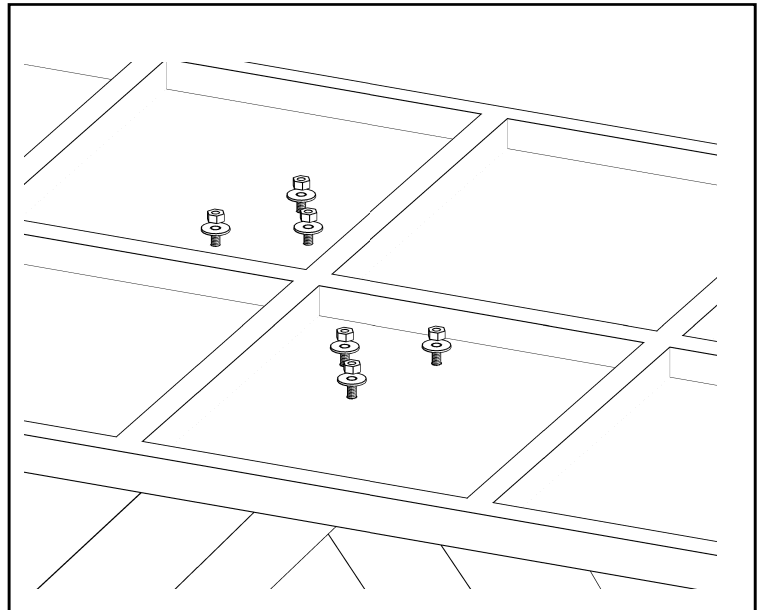
Step 3



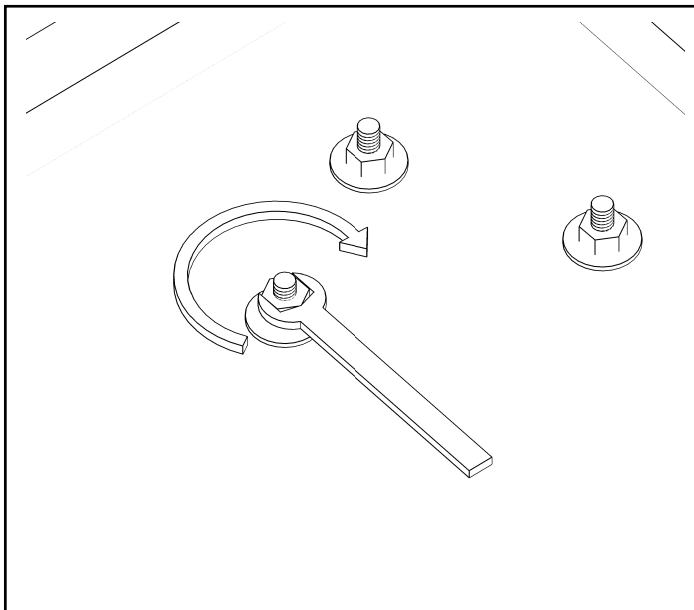
Step 4



Step 5



Step 6



Step 7

