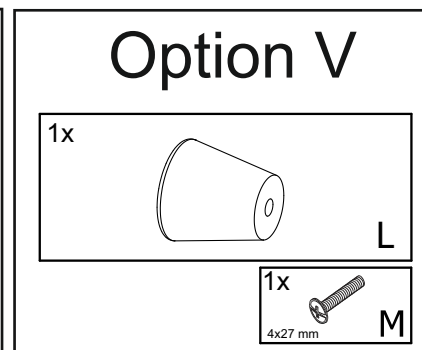
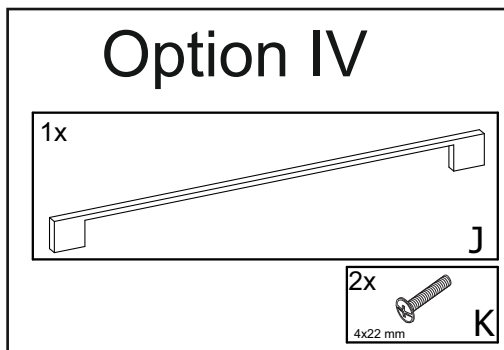
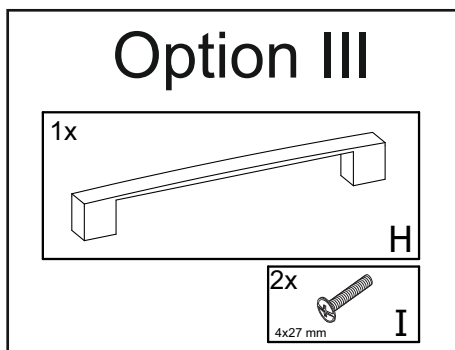
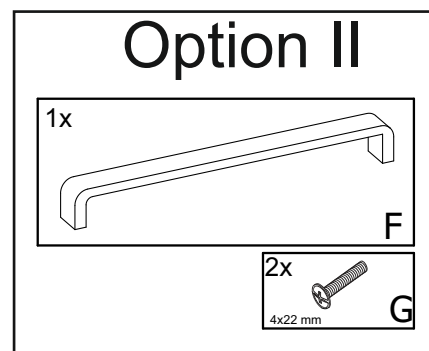
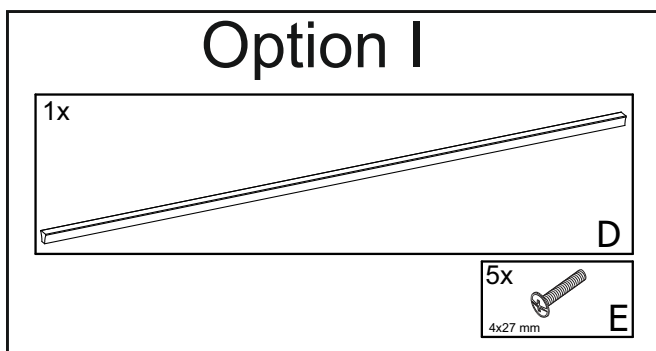
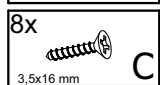
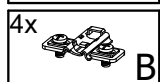
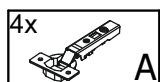
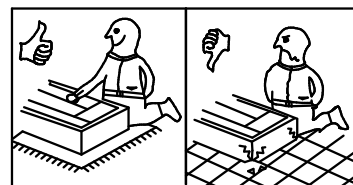
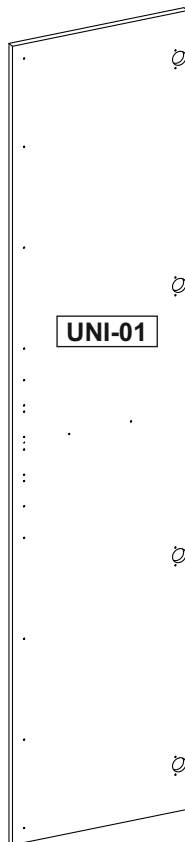
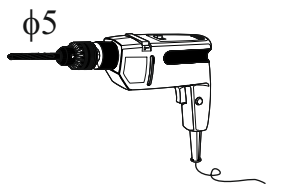
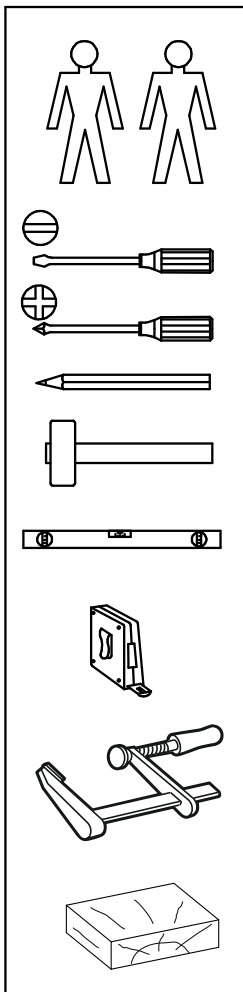
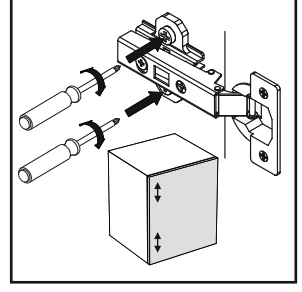
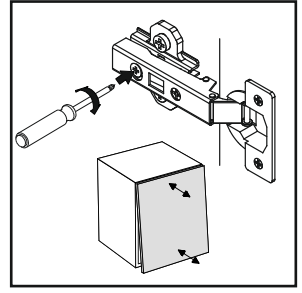
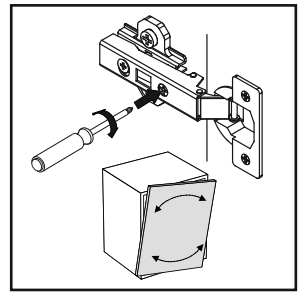
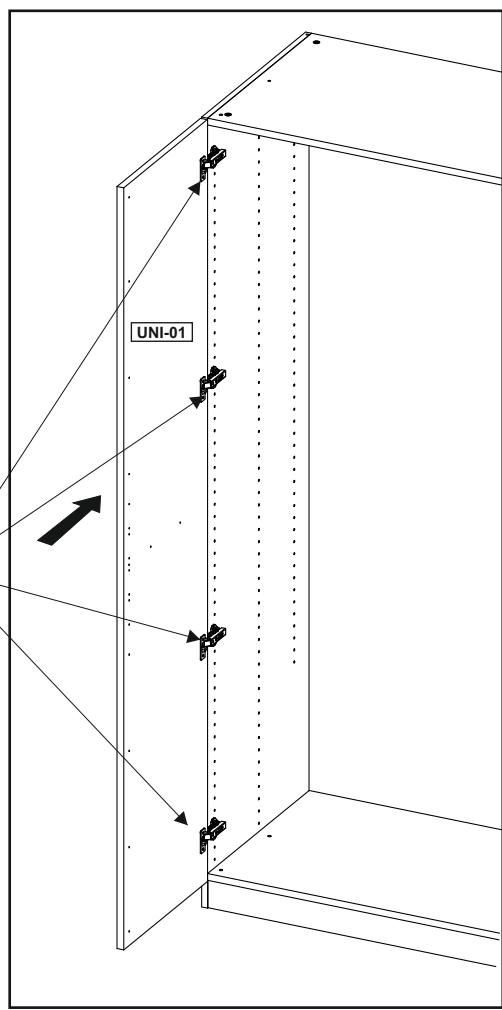
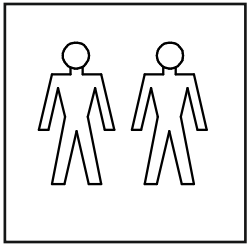
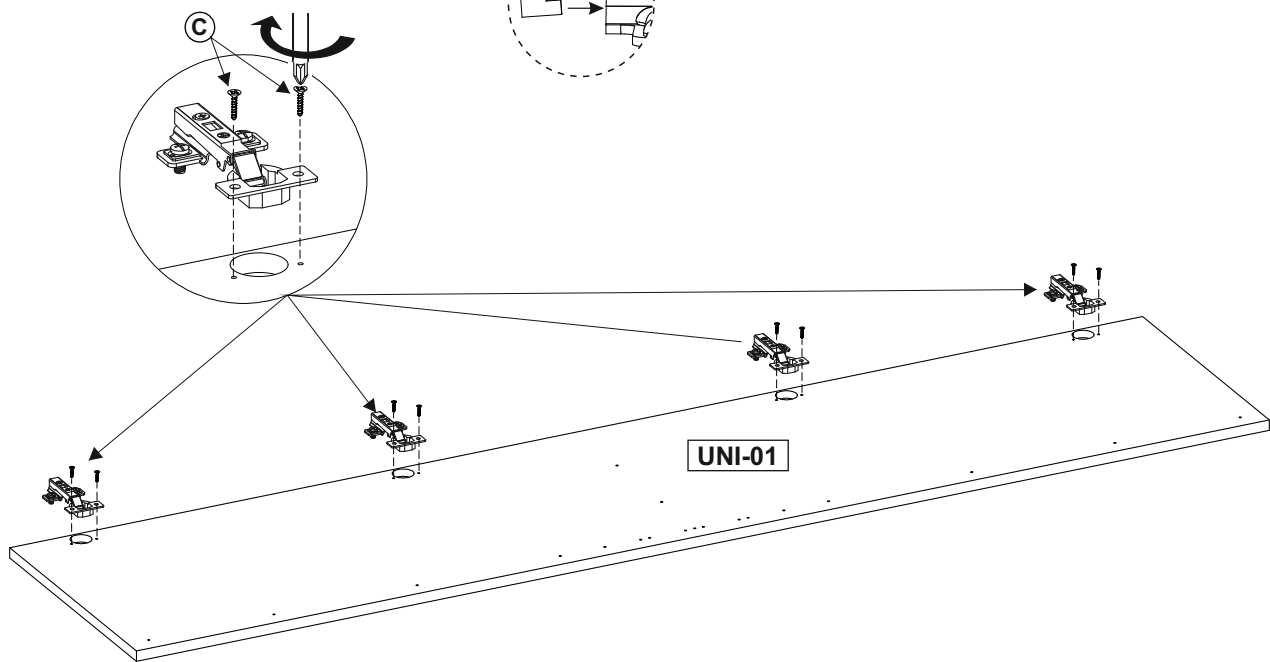
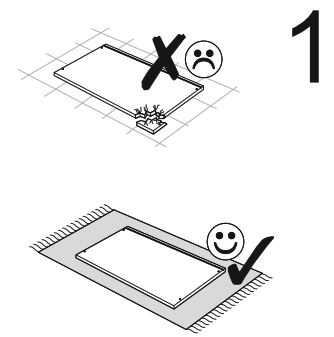
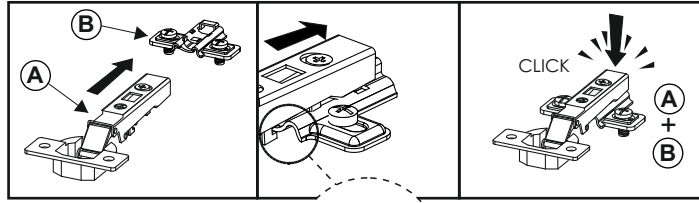
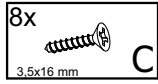
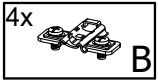
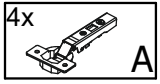


UNIT

UNI-01	4003597	2026x453x18	1/1
--------	---------	-------------	-----

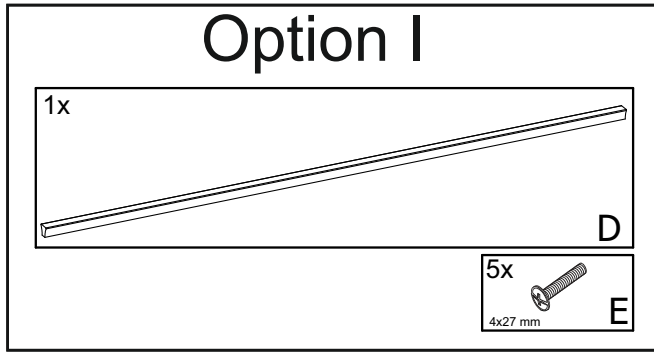


UNIT

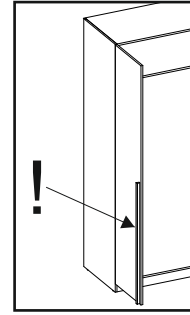


2

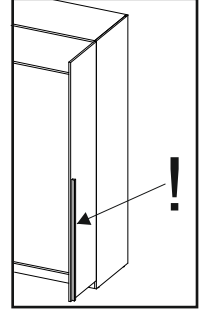
Option I



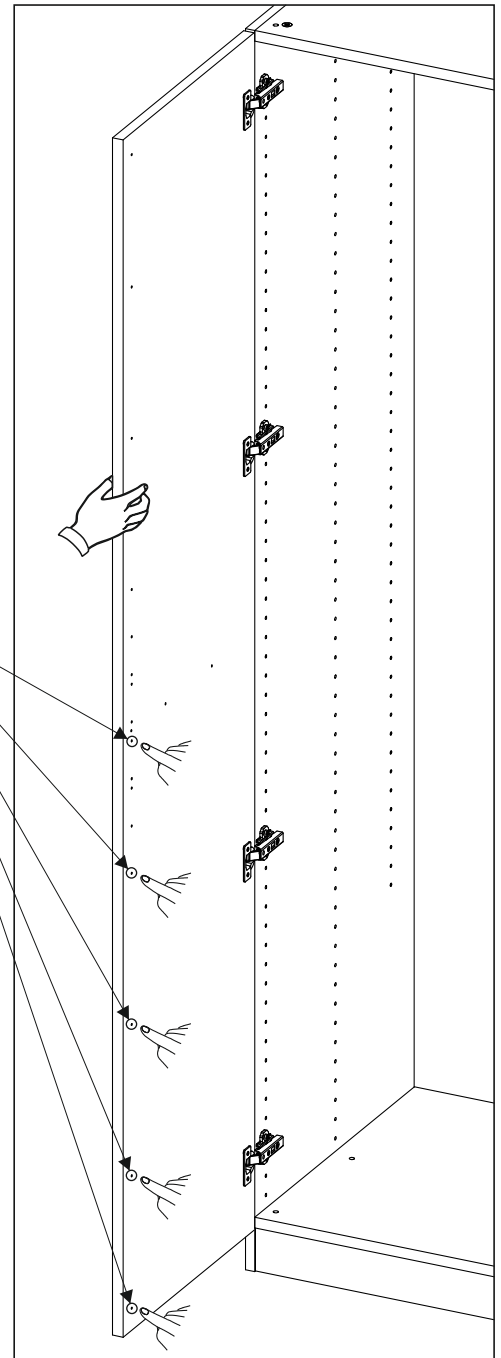
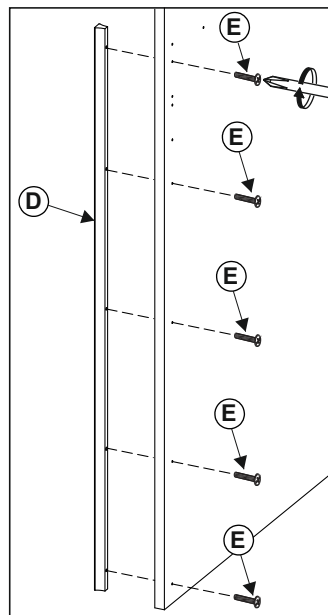
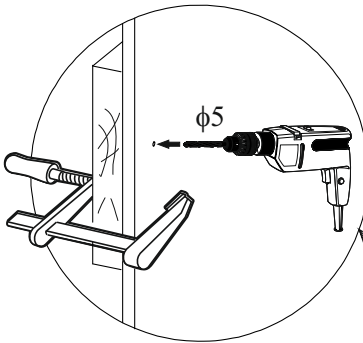
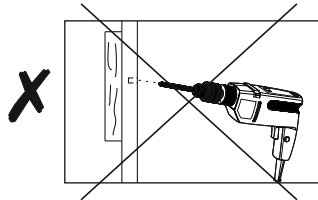
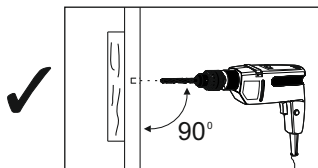
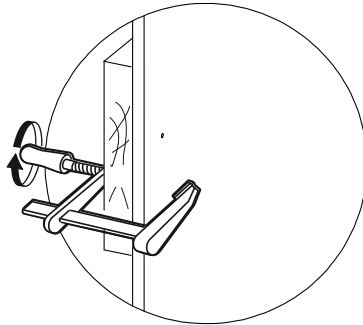
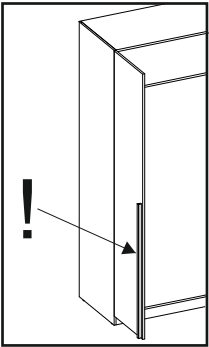
Left door



Right door

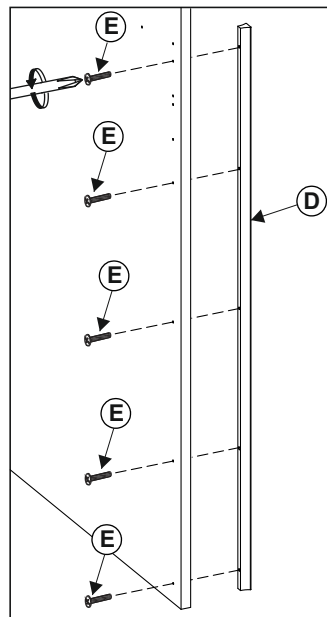
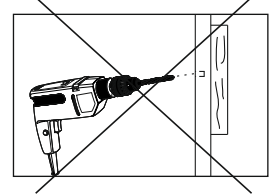
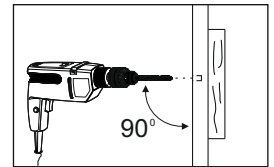
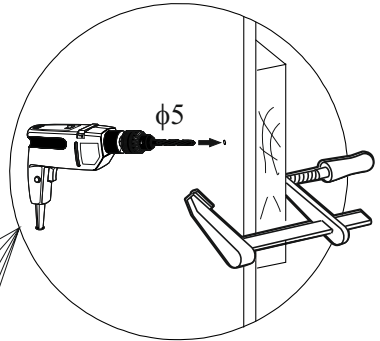
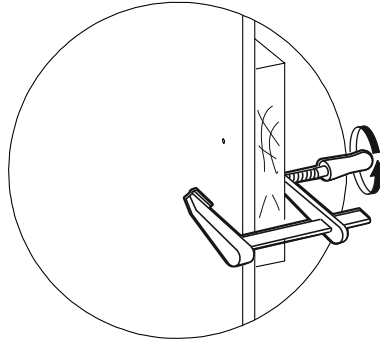
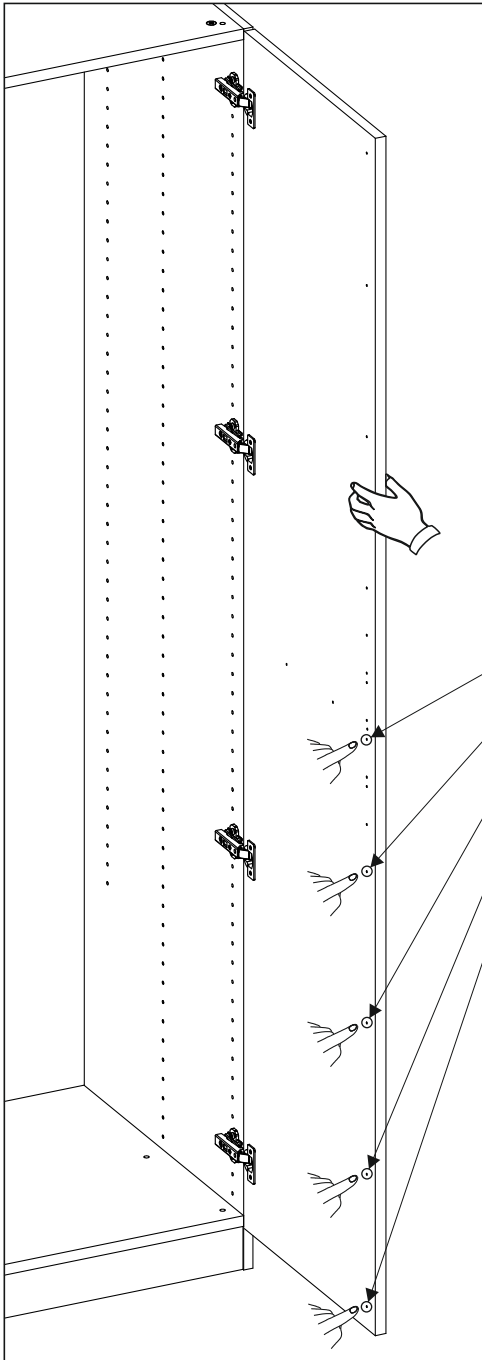
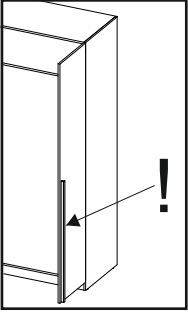


Left door

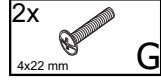
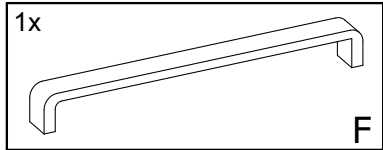


3

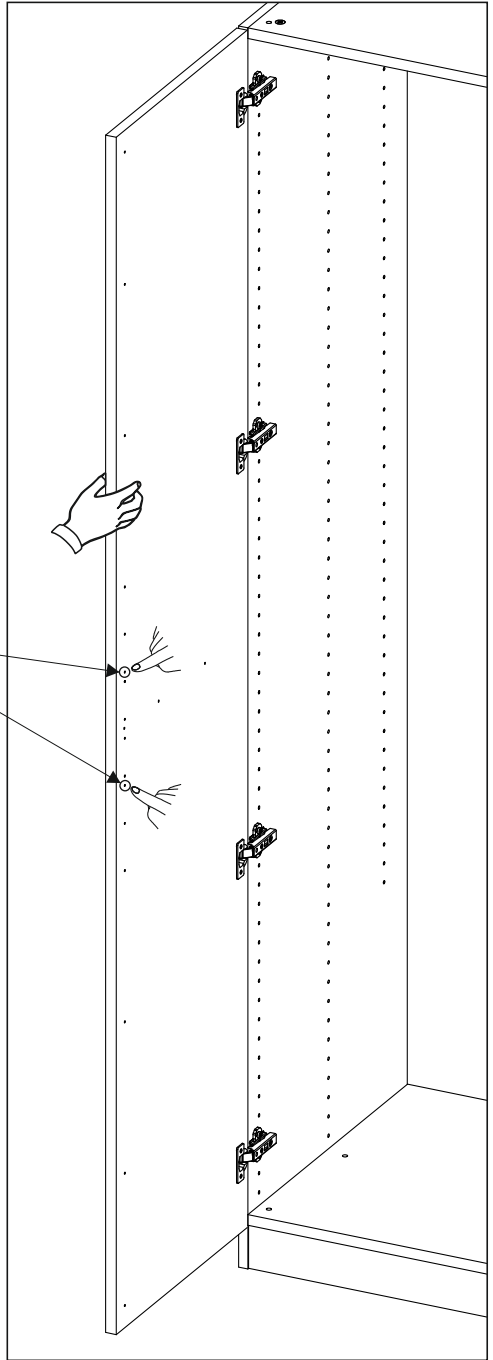
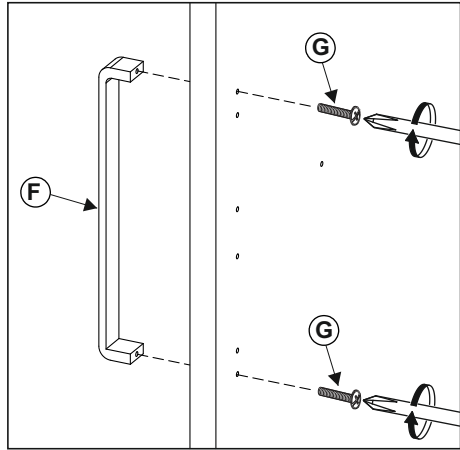
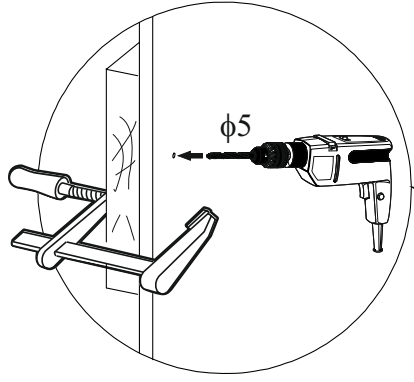
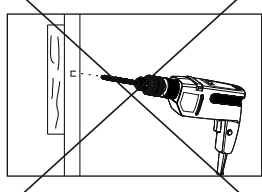
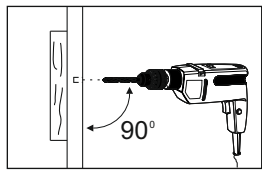
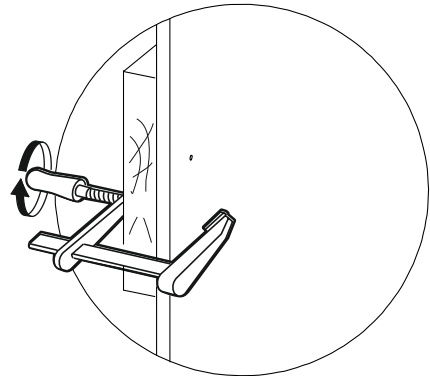
Right door



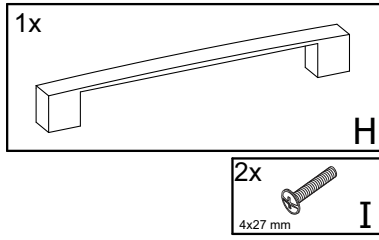
Option II



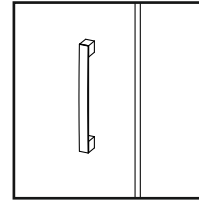
5



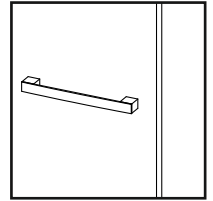
Option III



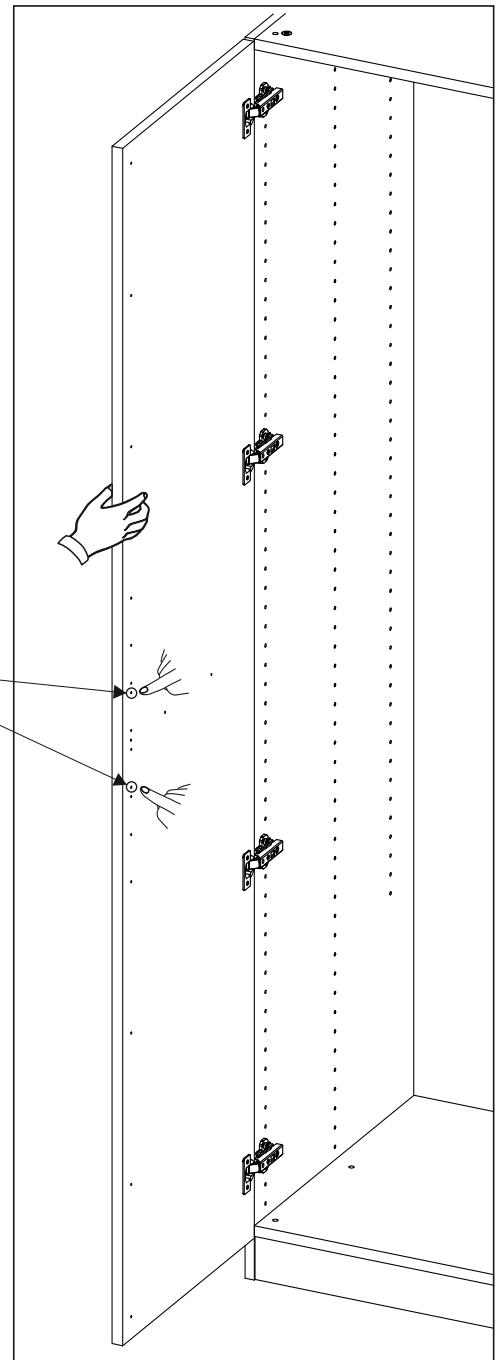
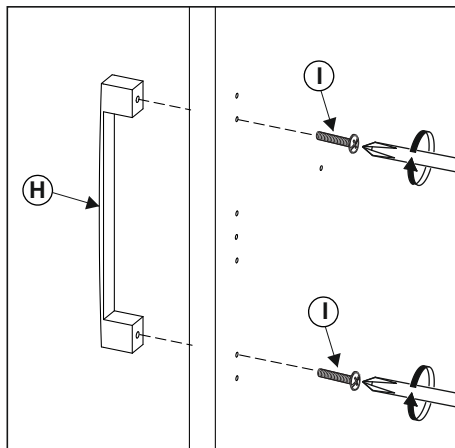
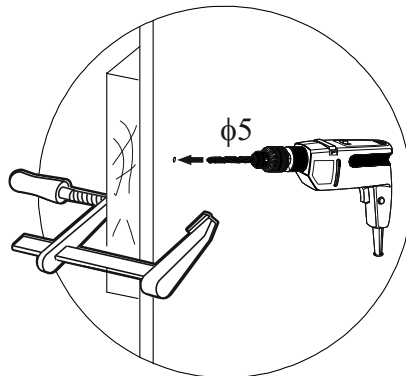
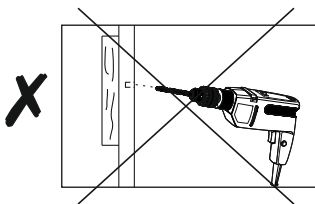
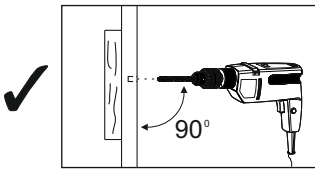
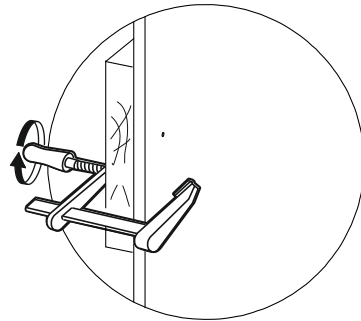
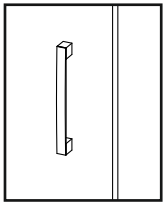
Version A



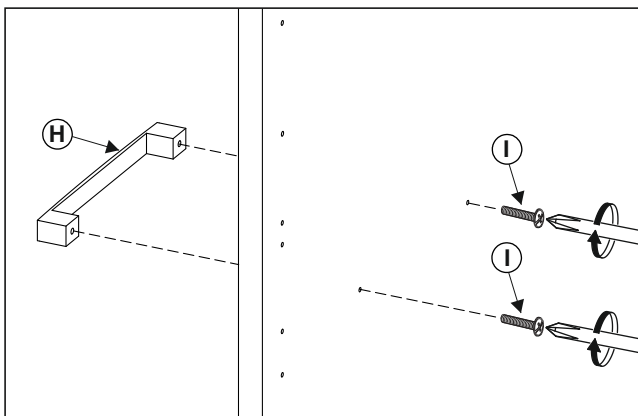
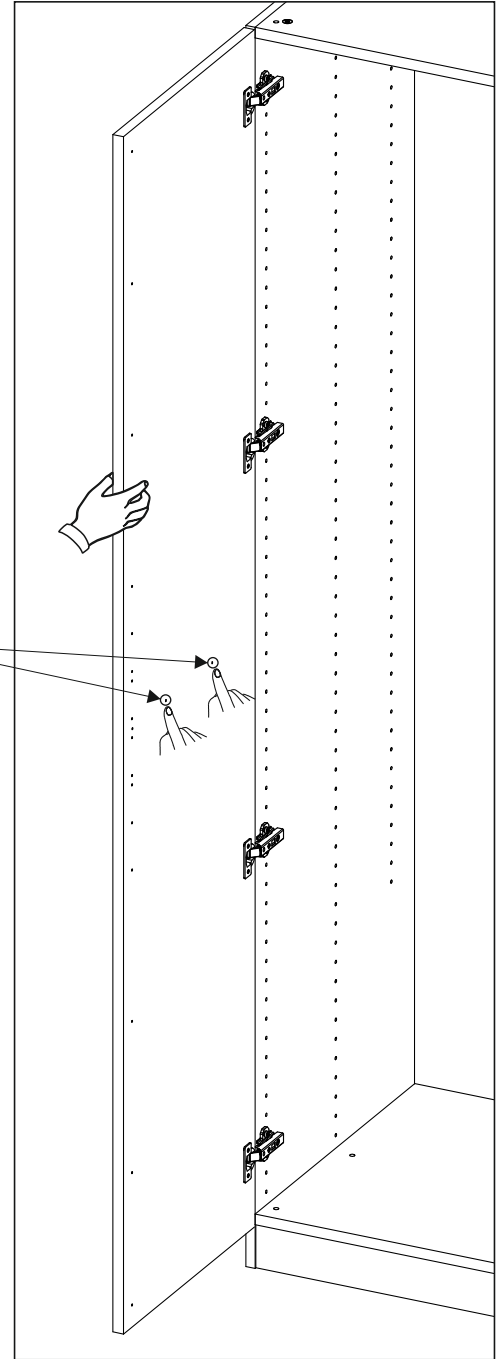
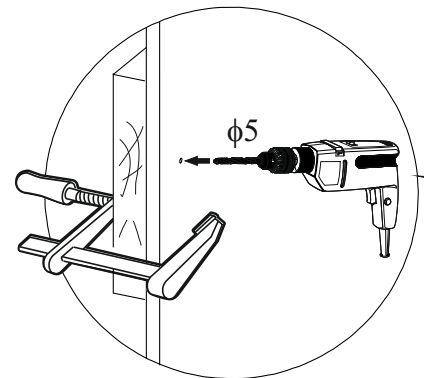
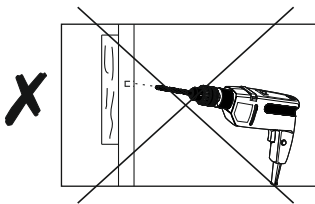
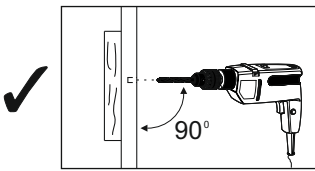
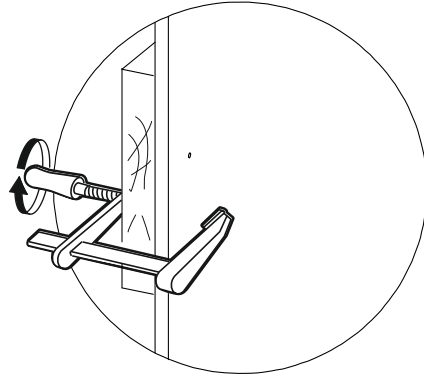
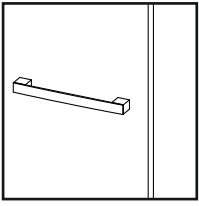
Version B



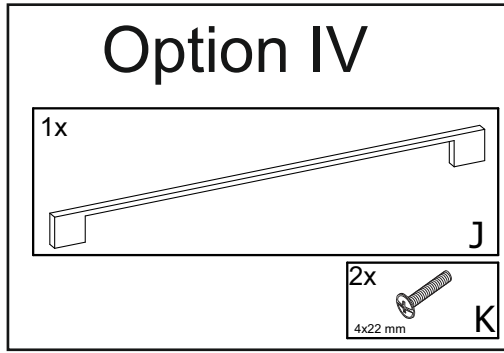
Version A



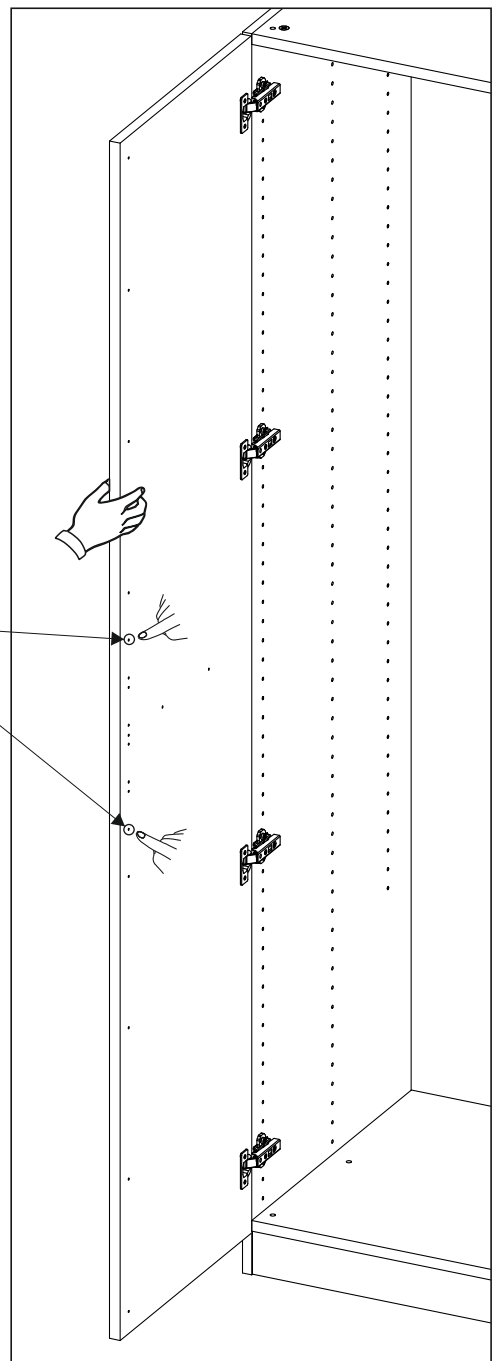
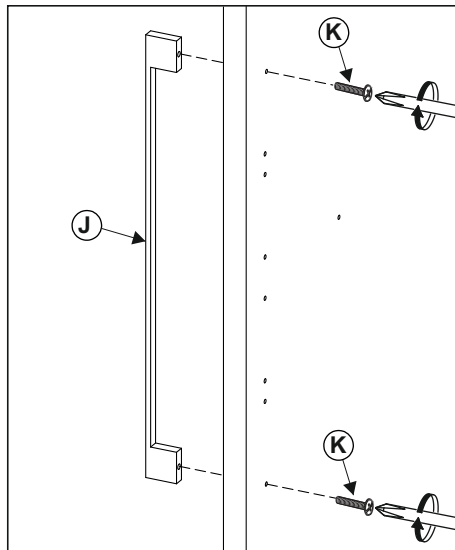
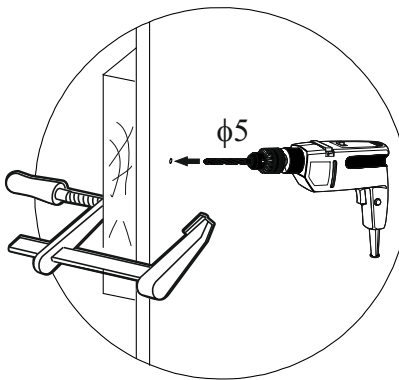
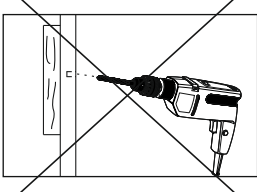
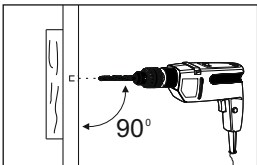
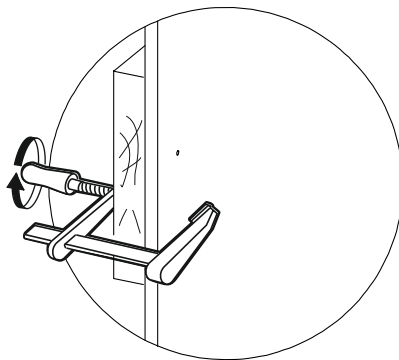
Version B



Option IV



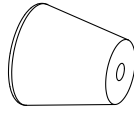
8



Option V



1x



L

1x

4x27 mm



M

9

