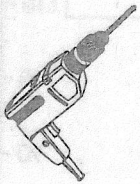
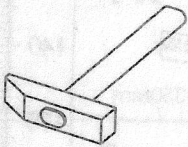
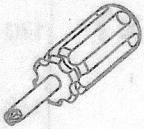
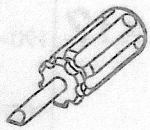
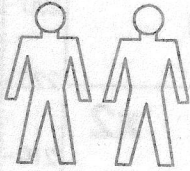
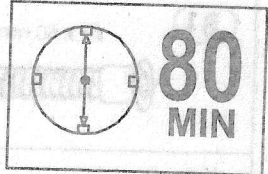
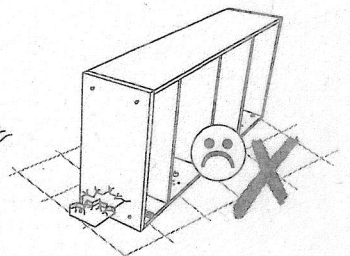
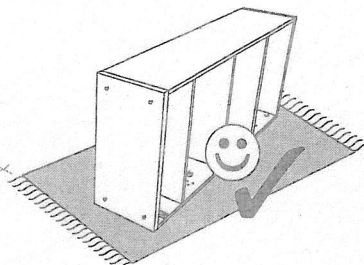
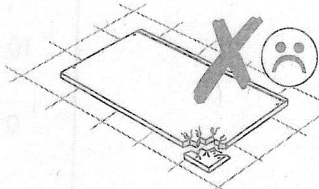
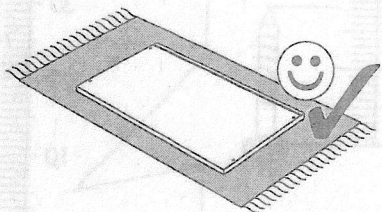
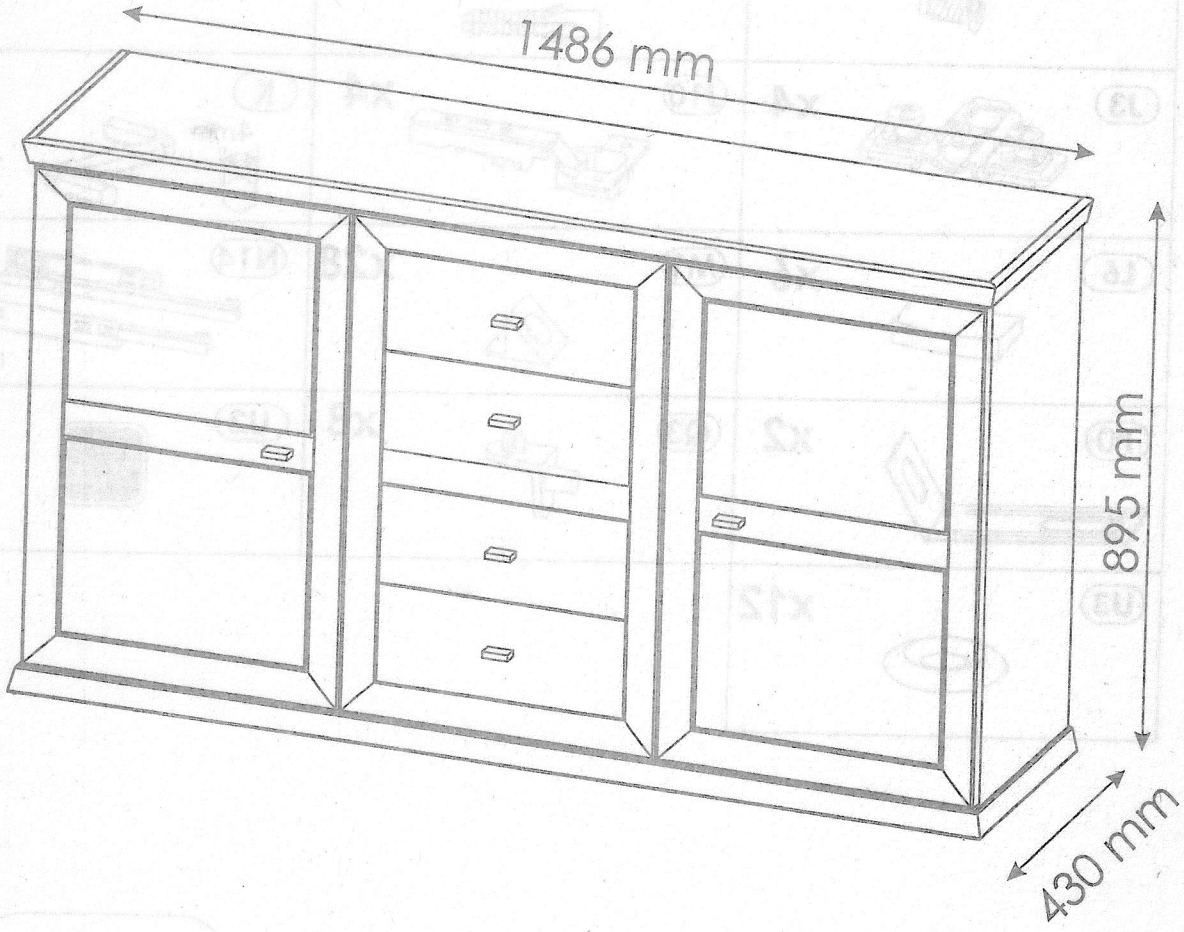


CAMRON - KOMMODE TYP 2T4L


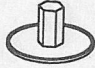
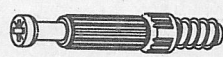




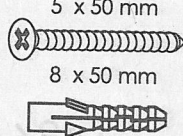

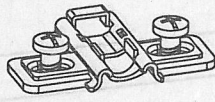
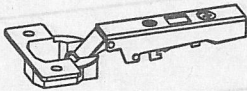
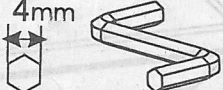
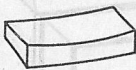

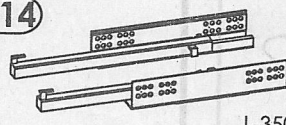
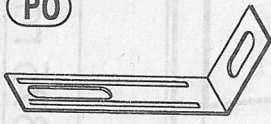
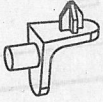


00030001-32

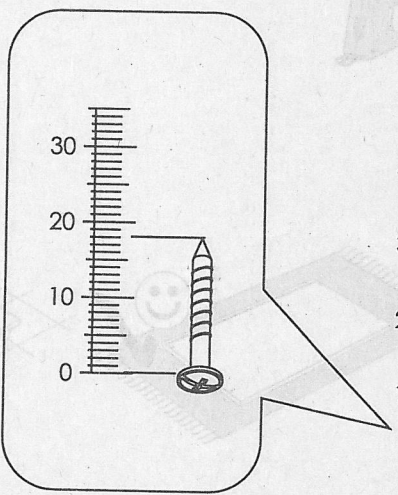
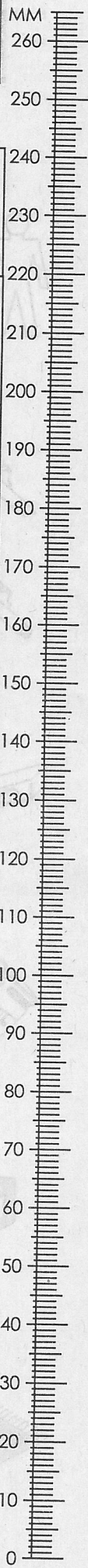


08

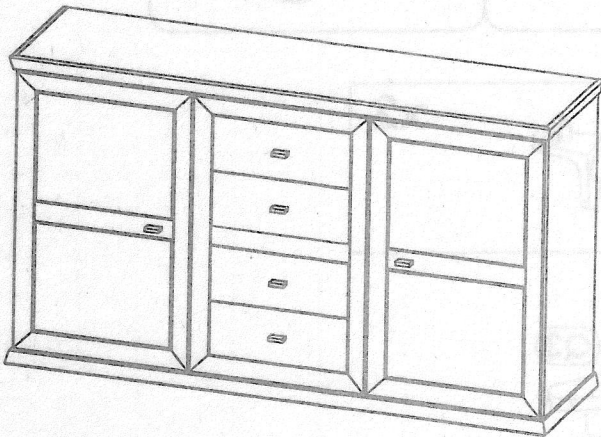



CAMRON - KOMMODE TYP 2T4L

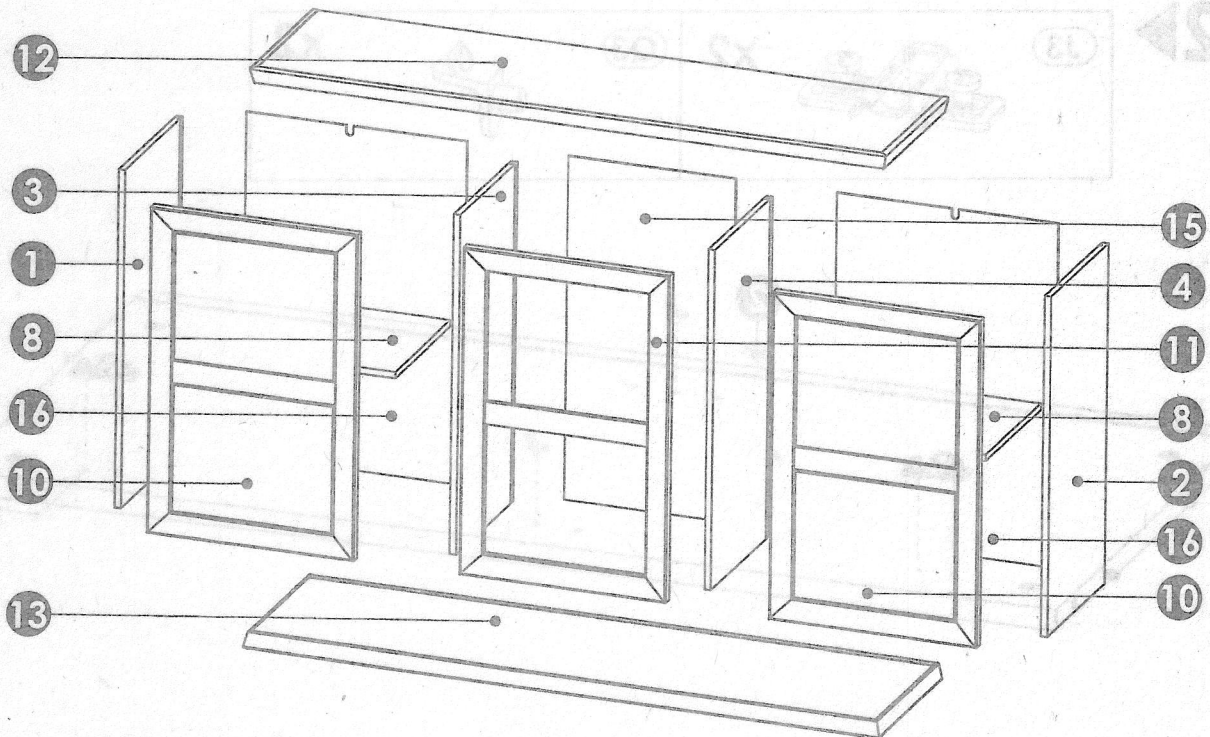
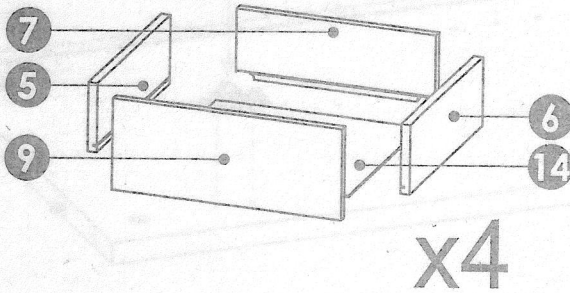
(B1) f 7 x 50 mm x8 	(C0) x36 	(C2) x36 
(D0) 3 x 15 mm x28 	(D10) 4 x 16 mm x8 	(D21) 5 x 13 mm x2 
(D31) 6,3 x 13 mm x32 	(E0) 5 x 50 mm x2 8 x 50 mm 	(H2) 4 x 22 mm x12 
(J3) x4 	(J10) x4 	(K) x1 4mm 
(L6) x6 	(M1) x28 	(N14) x4 L-350mm 
(P0) x2 	(Q3) x8 	(U2) x8 
(U3) x12 		

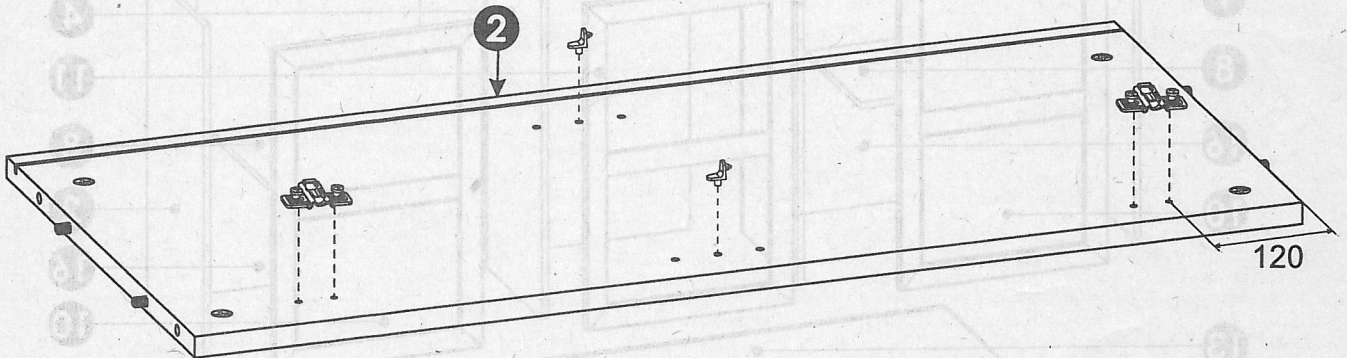
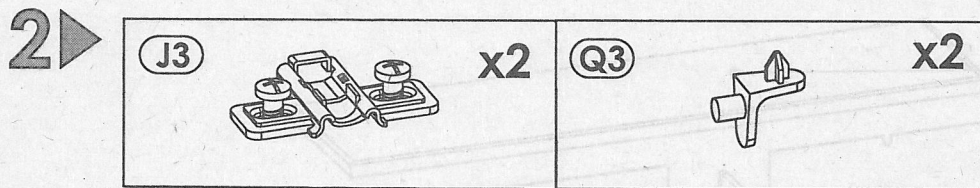
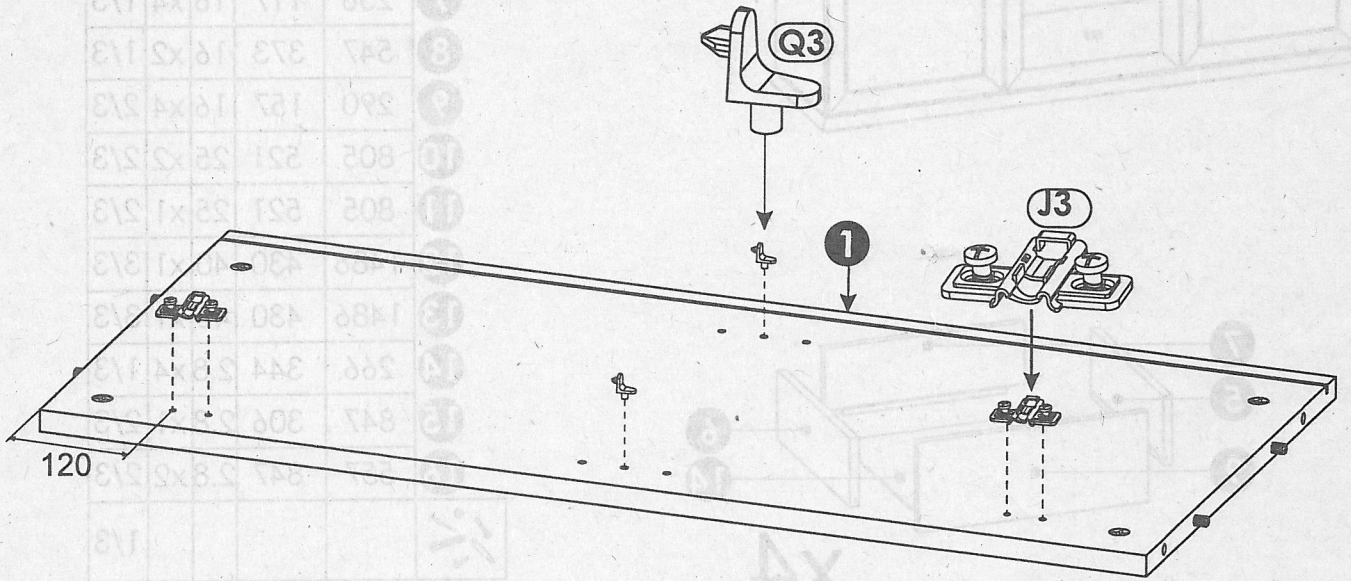
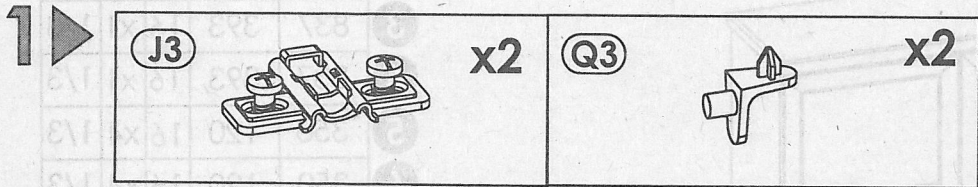
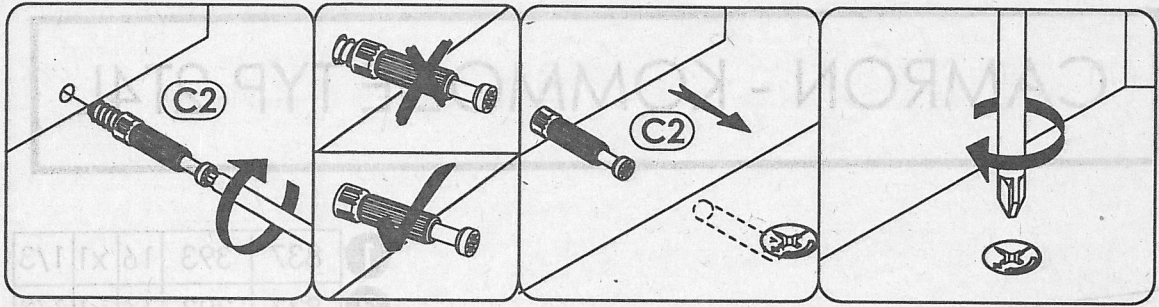


CAMRON - KOMMODE TYP 2T4L

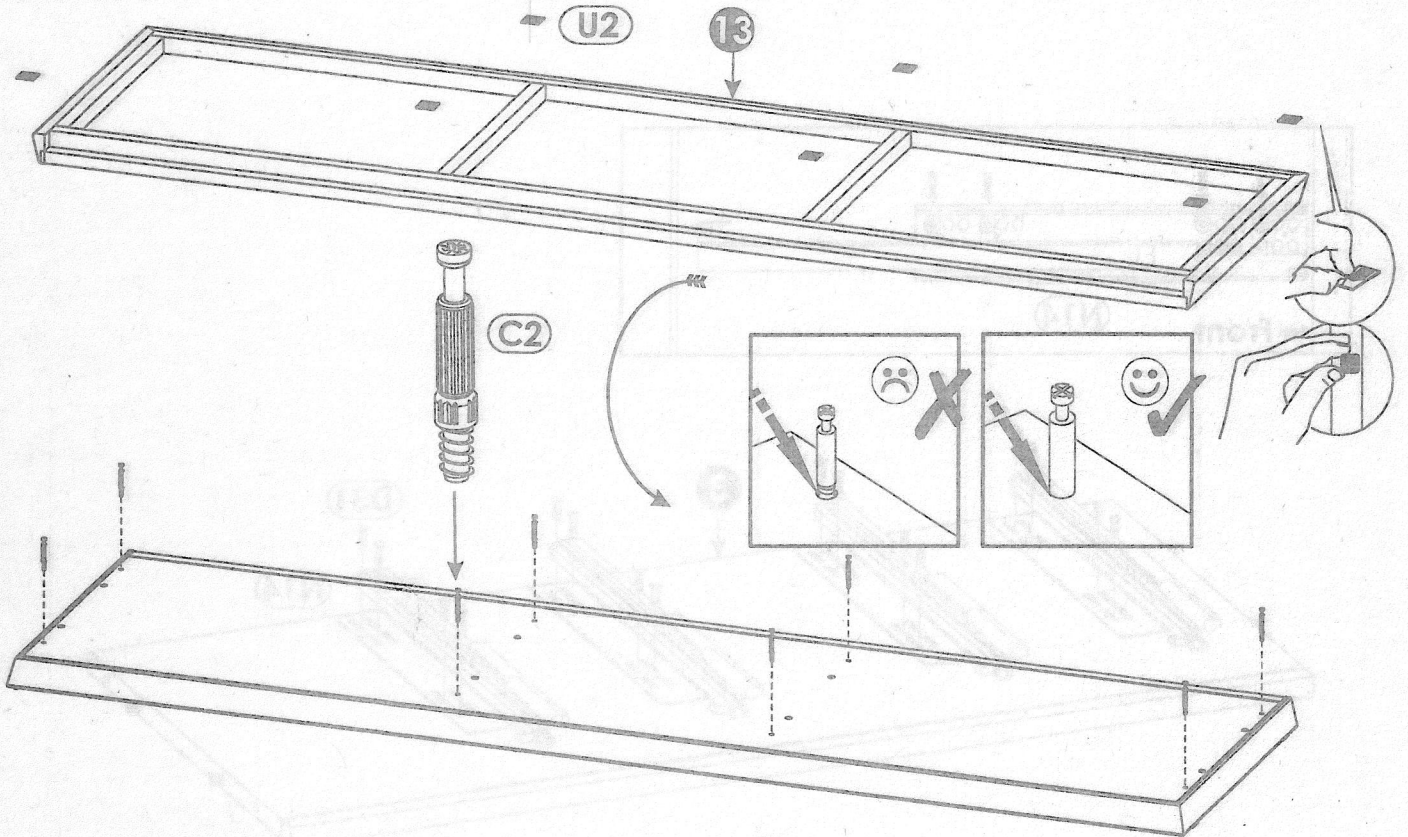
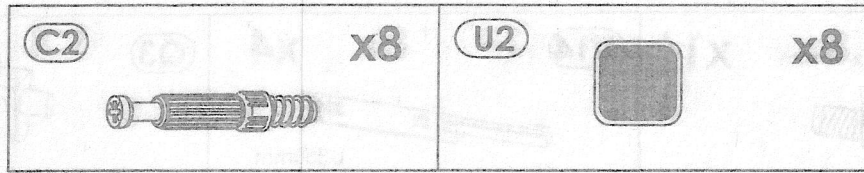


1	837	393	16 x1	1/3
2	837	393	16 x1	1/3
3	837	393	16 x1	1/3
4	837	393	16 x1	1/3
5	350	120	16 x4	1/3
6	350	120	16 x4	1/3
7	256	117	16 x4	1/3
8	547	373	16 x2	1/3
9	290	157	16 x4	2/3
10	805	521	25 x2	2/3
11	805	521	25 x1	2/3
12	1486	430	40 x1	3/3
13	1486	430	40 x1	3/3
14	266	344	2.8 x4	1/3
15	847	306	2.8 x1	2/3
16	557	847	2.8 x2	2/3
				1/3

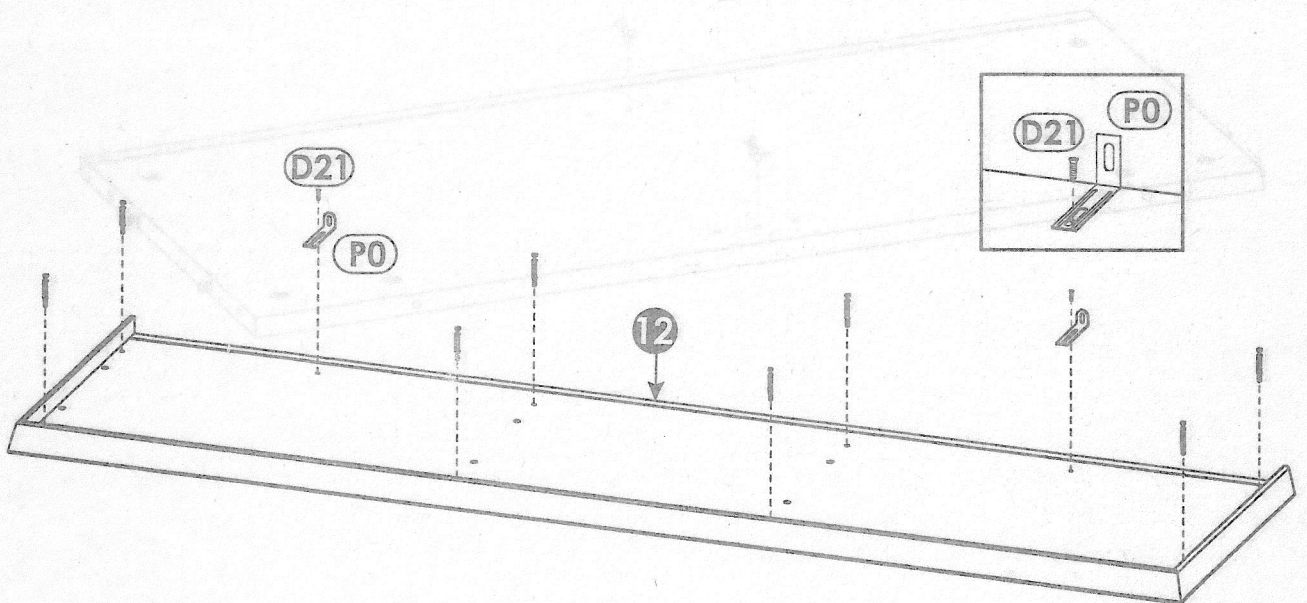
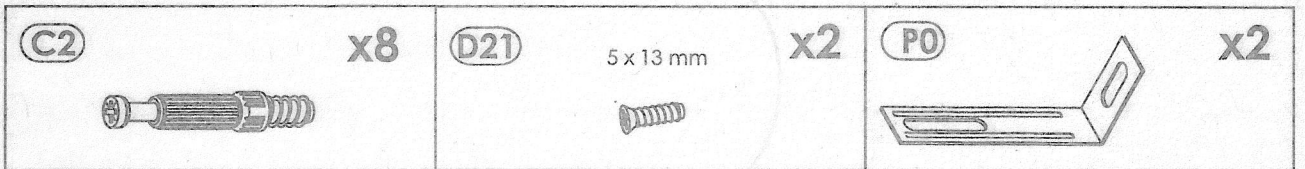





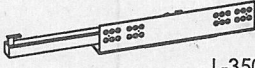

3 ▶

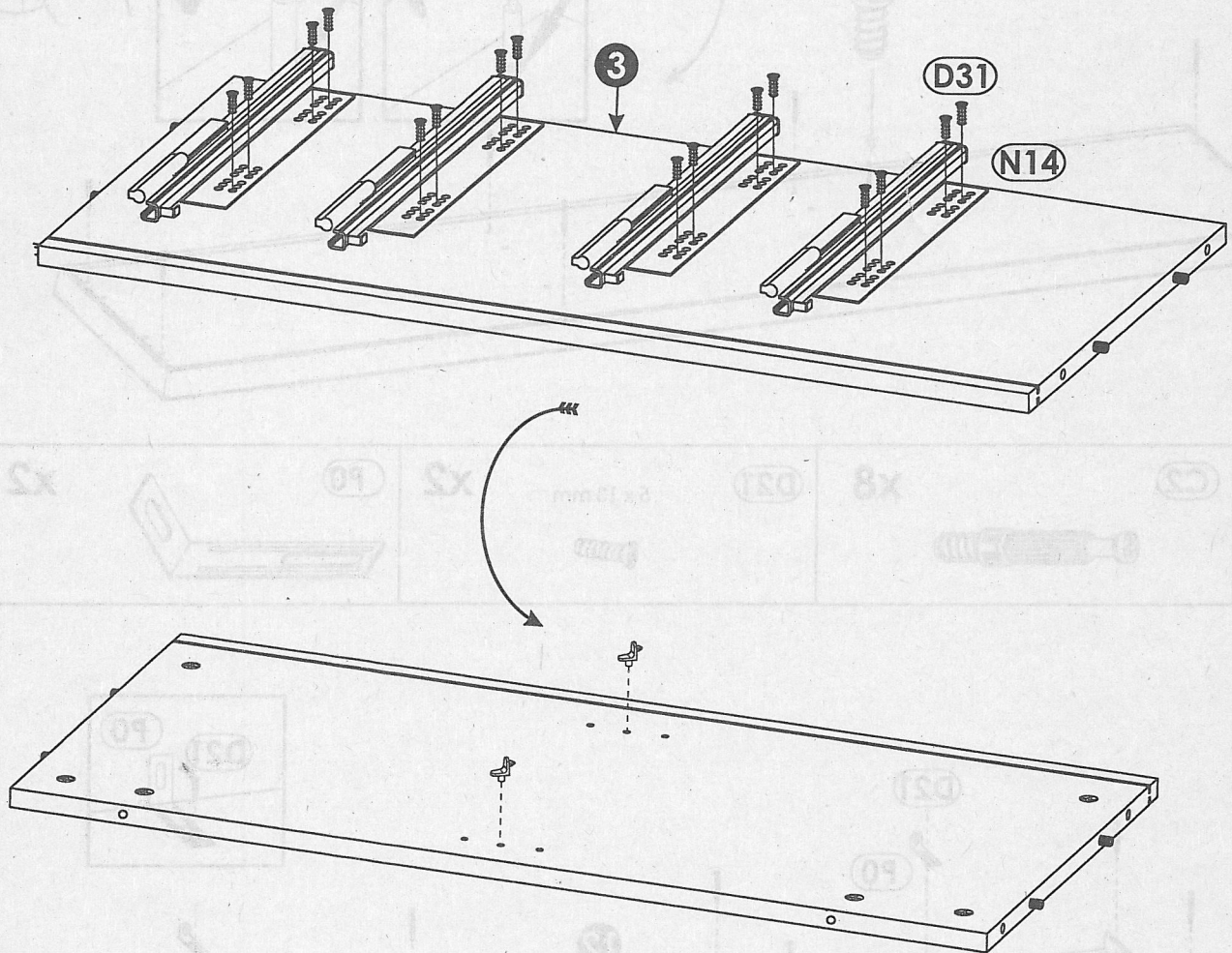
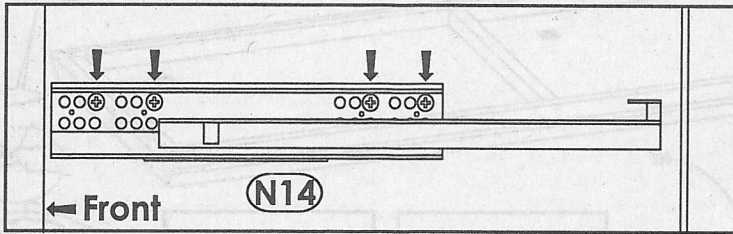


4 ▶



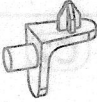


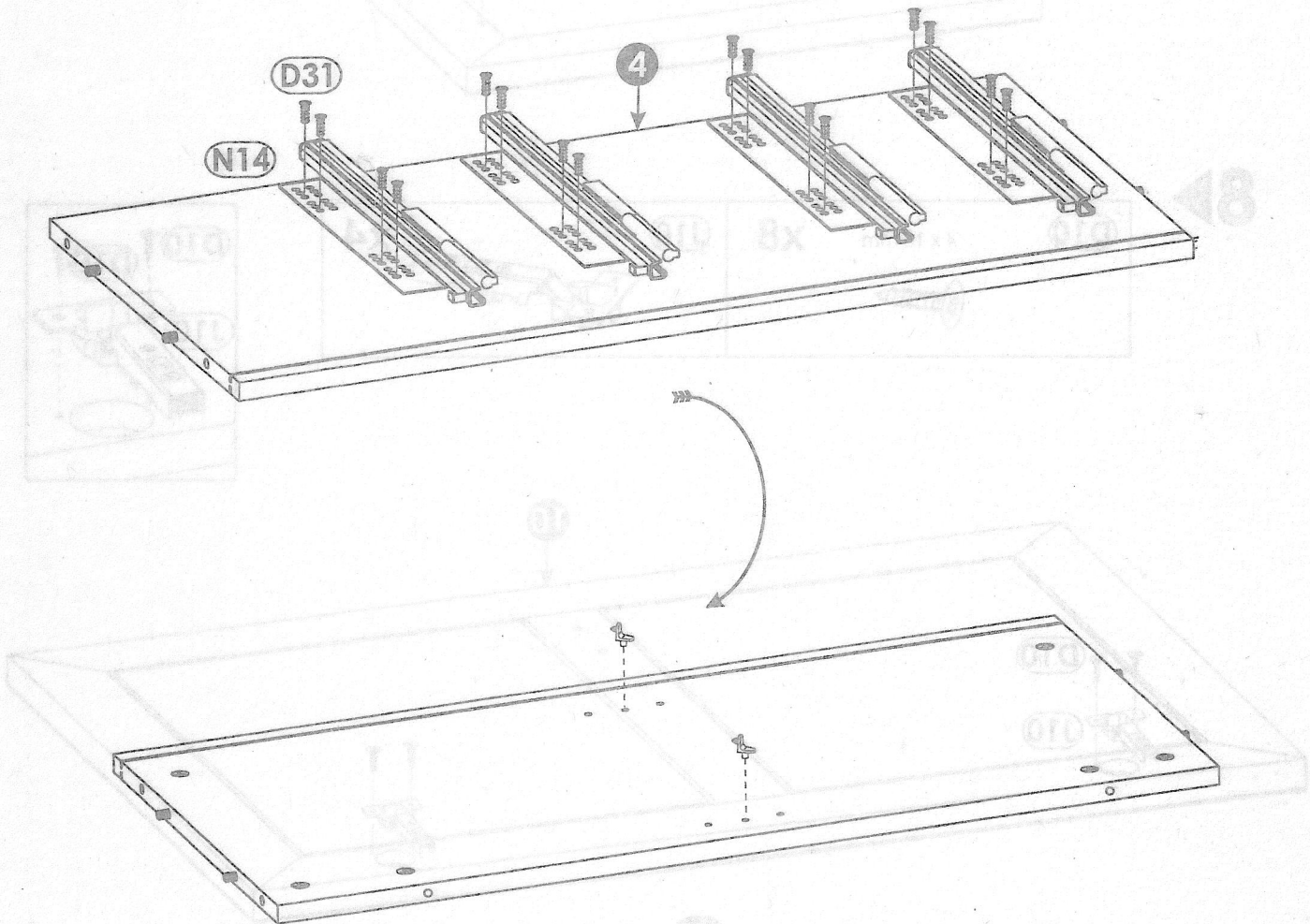
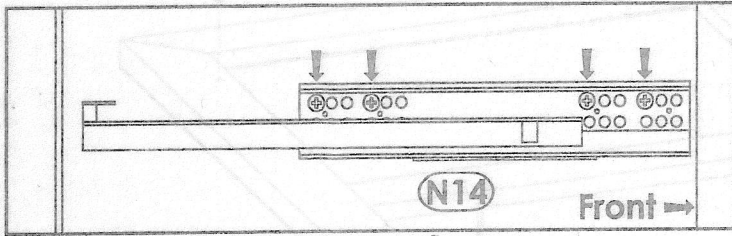
5 ▶

<p>(D31) 6,3 x 13 mm x16</p> 	<p>(N14) x4</p>  <p>L-350mm</p>	<p>(Q3) x2</p> 
--	--	--

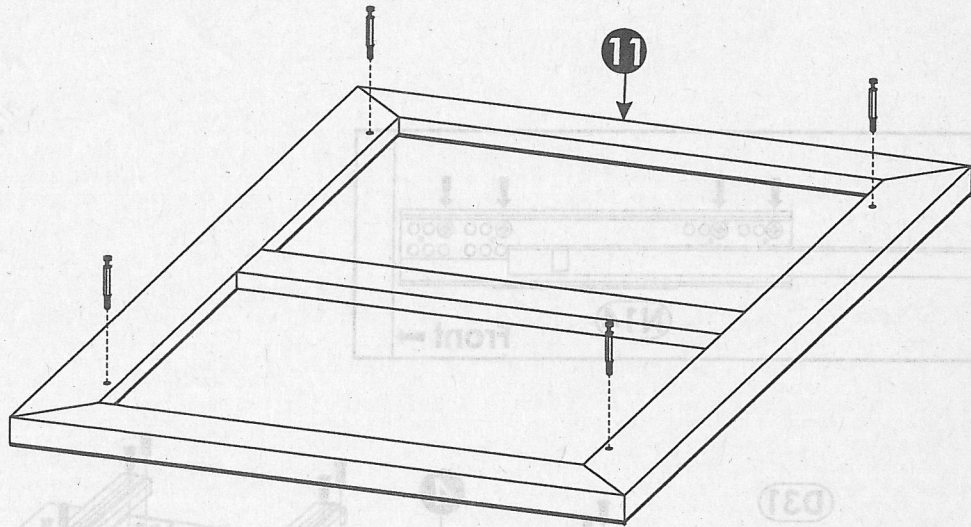
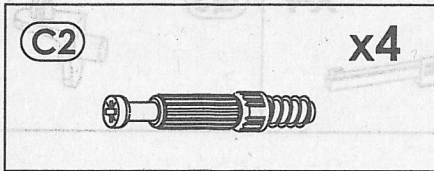


6 ▶▶

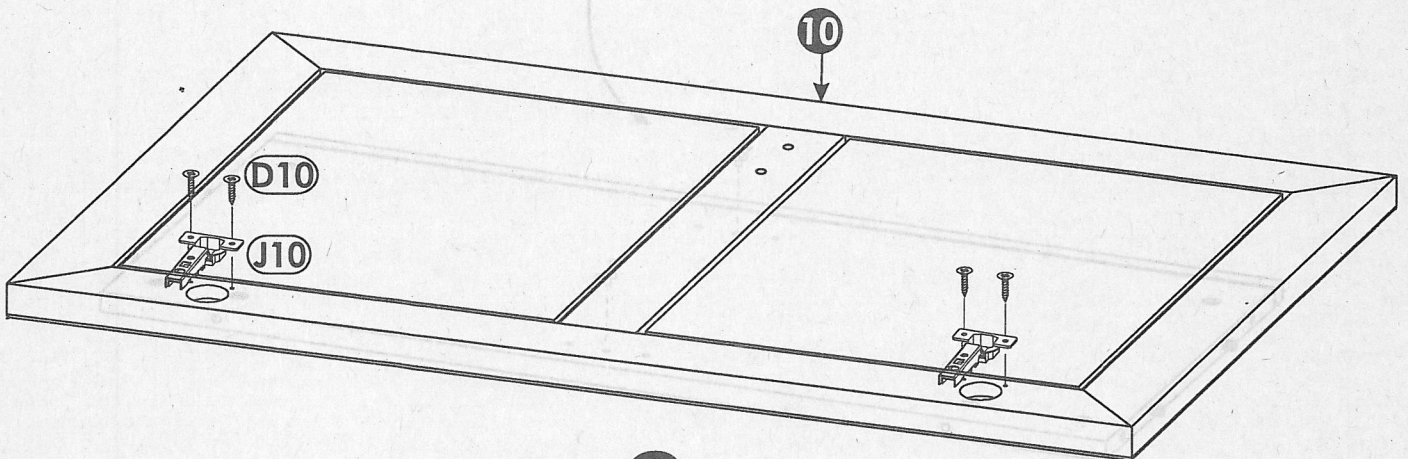
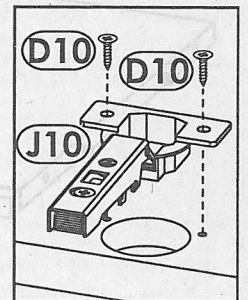
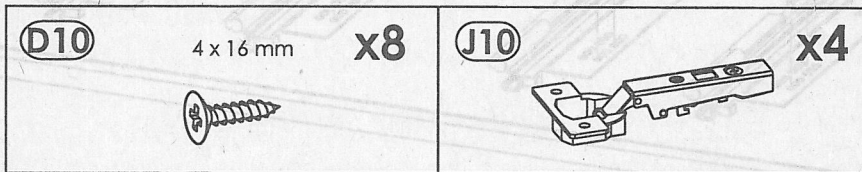
D31	6,3 x 13 mm	x16	N14	x4	Q3	x2
				L-350mm		



7 ▶

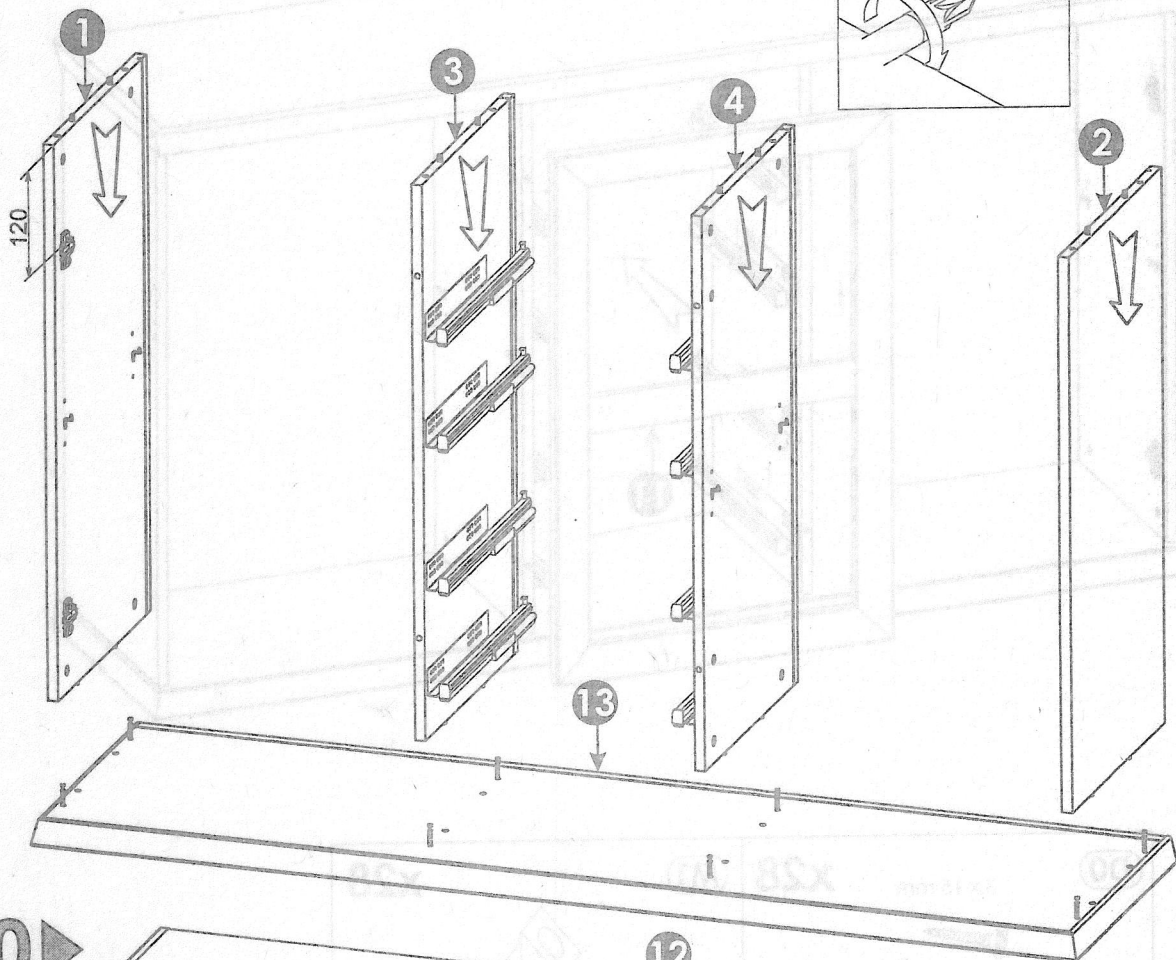


8 ▶

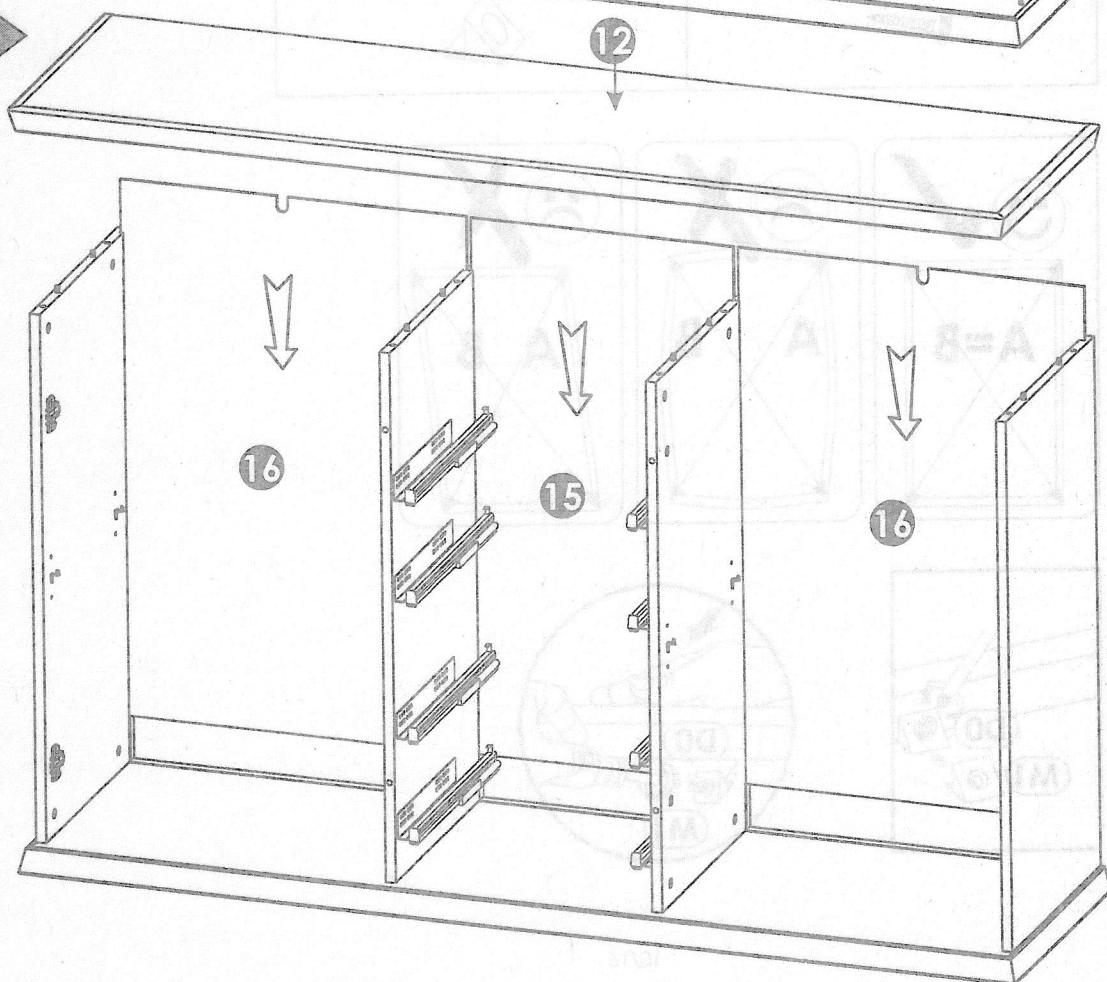


x2

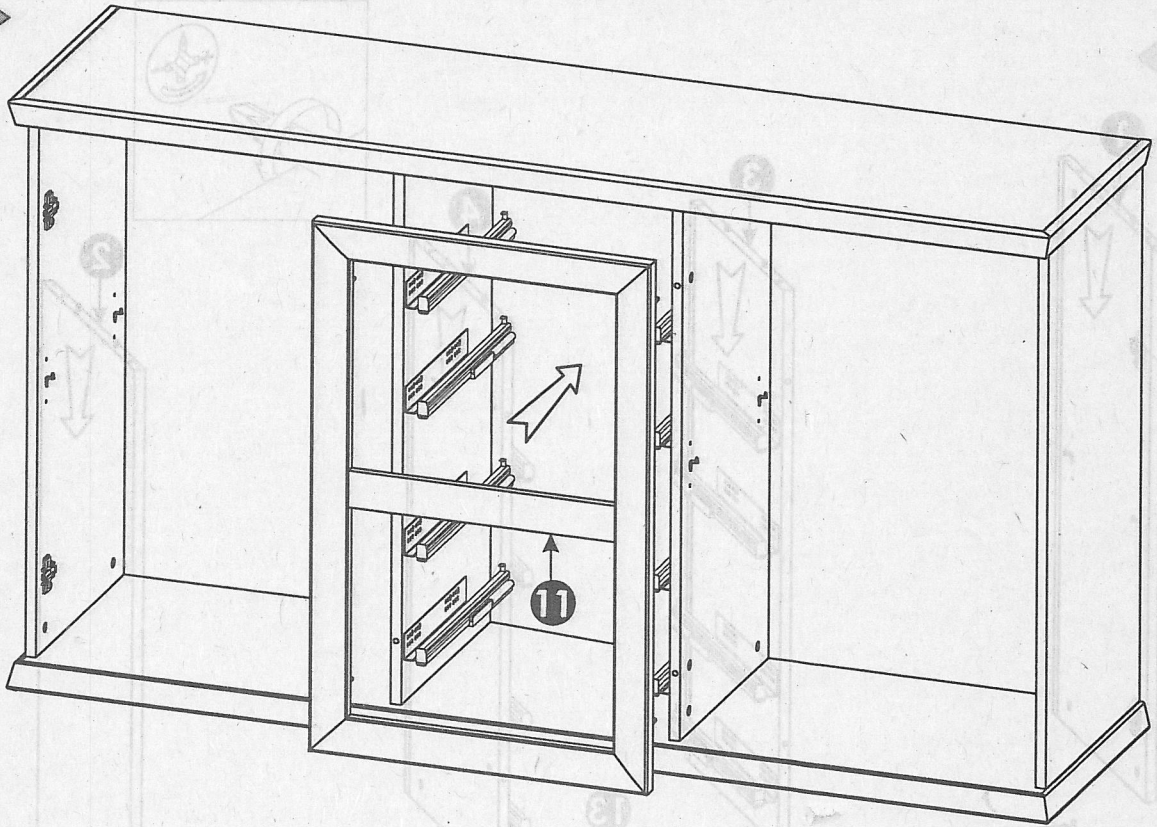
9 ▶





10 ▶

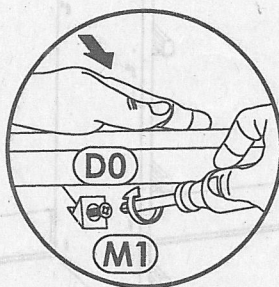
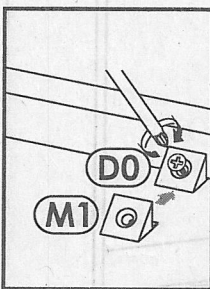
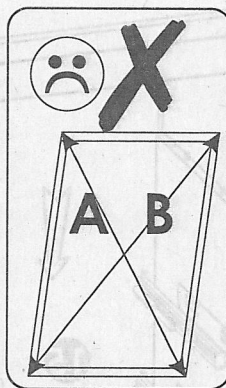
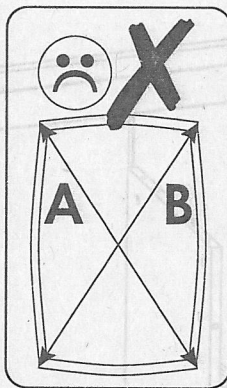
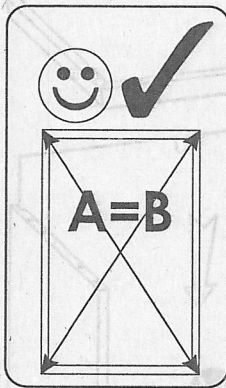


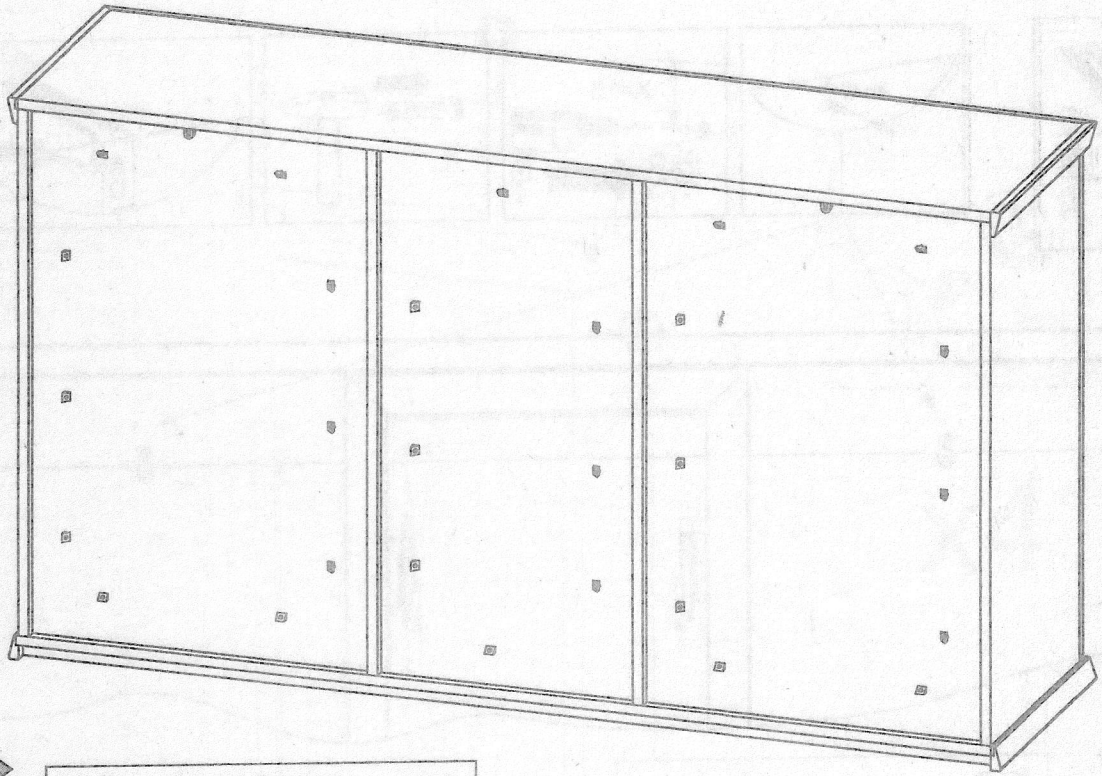
11▶



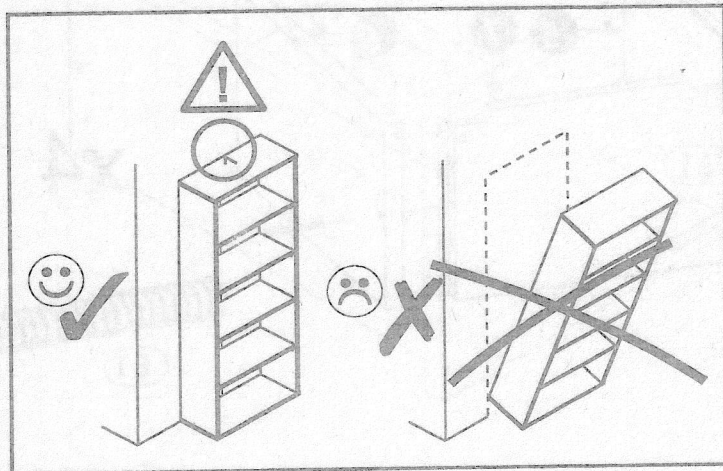
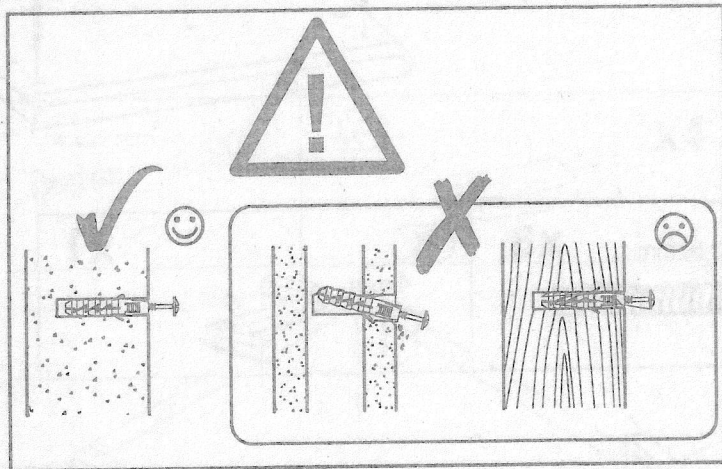
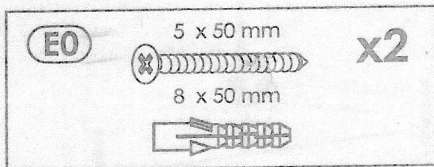
12▶

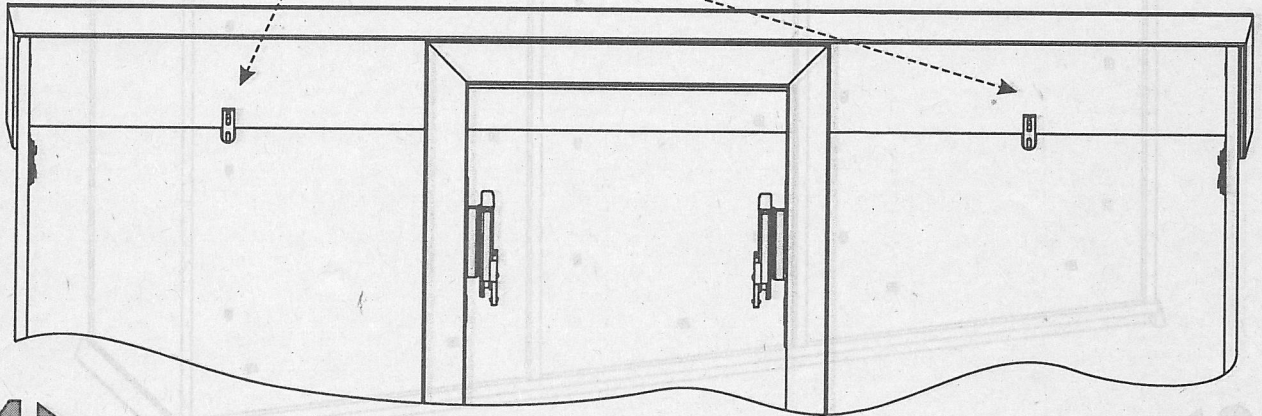
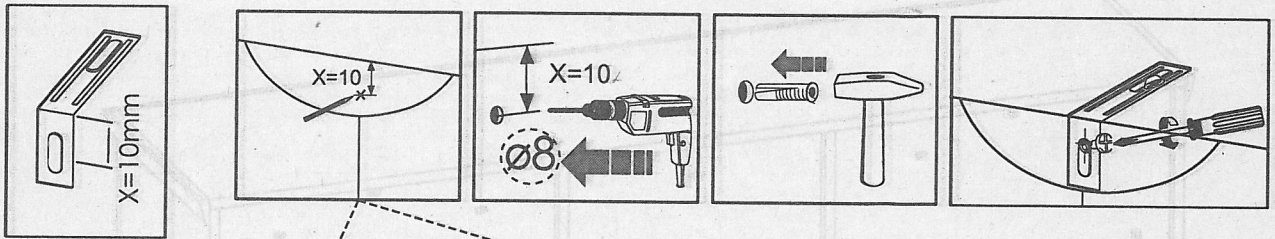
(D0)	3 x 15 mm	x28	(M1)	x28
				



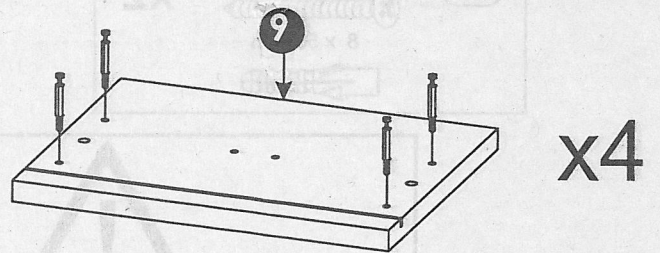
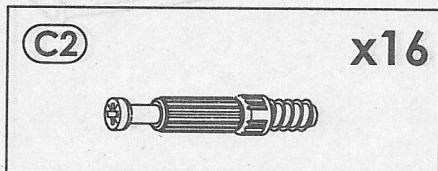


13 ▶

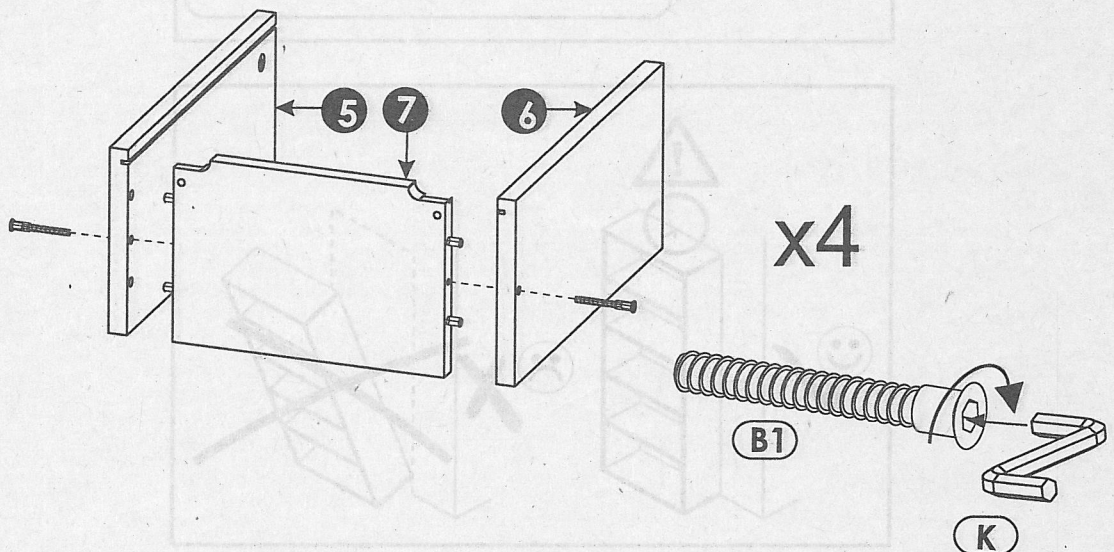
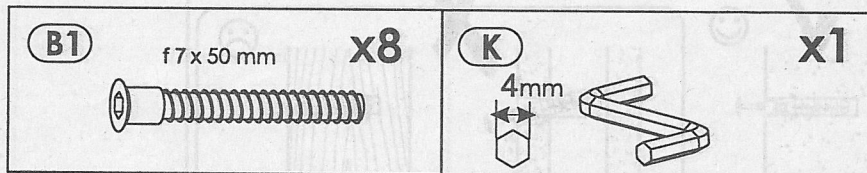




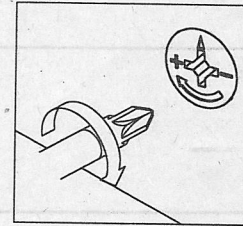
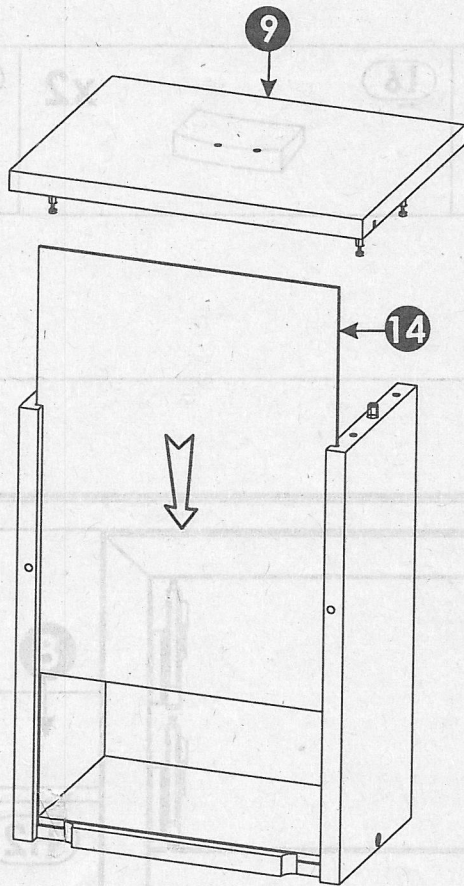
14 ▶



15 ▶



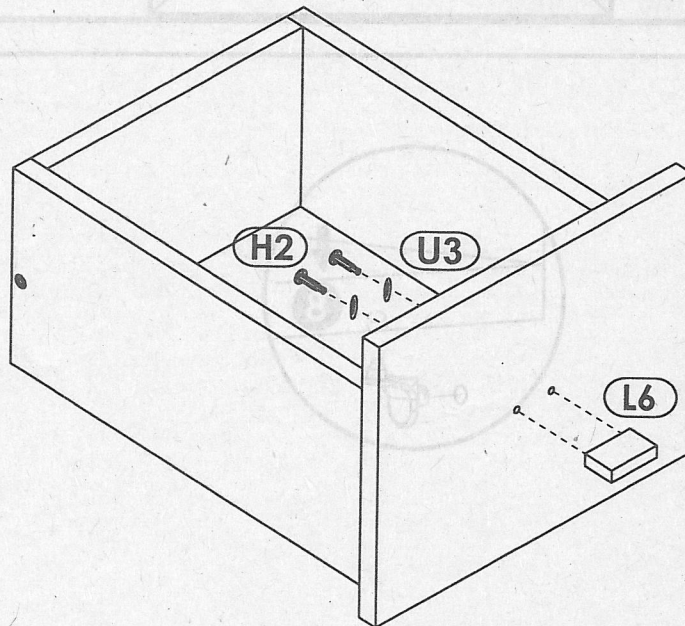
16 ▶



x4




17 ▶

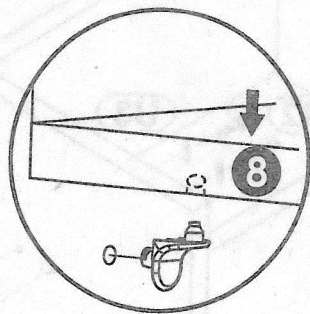
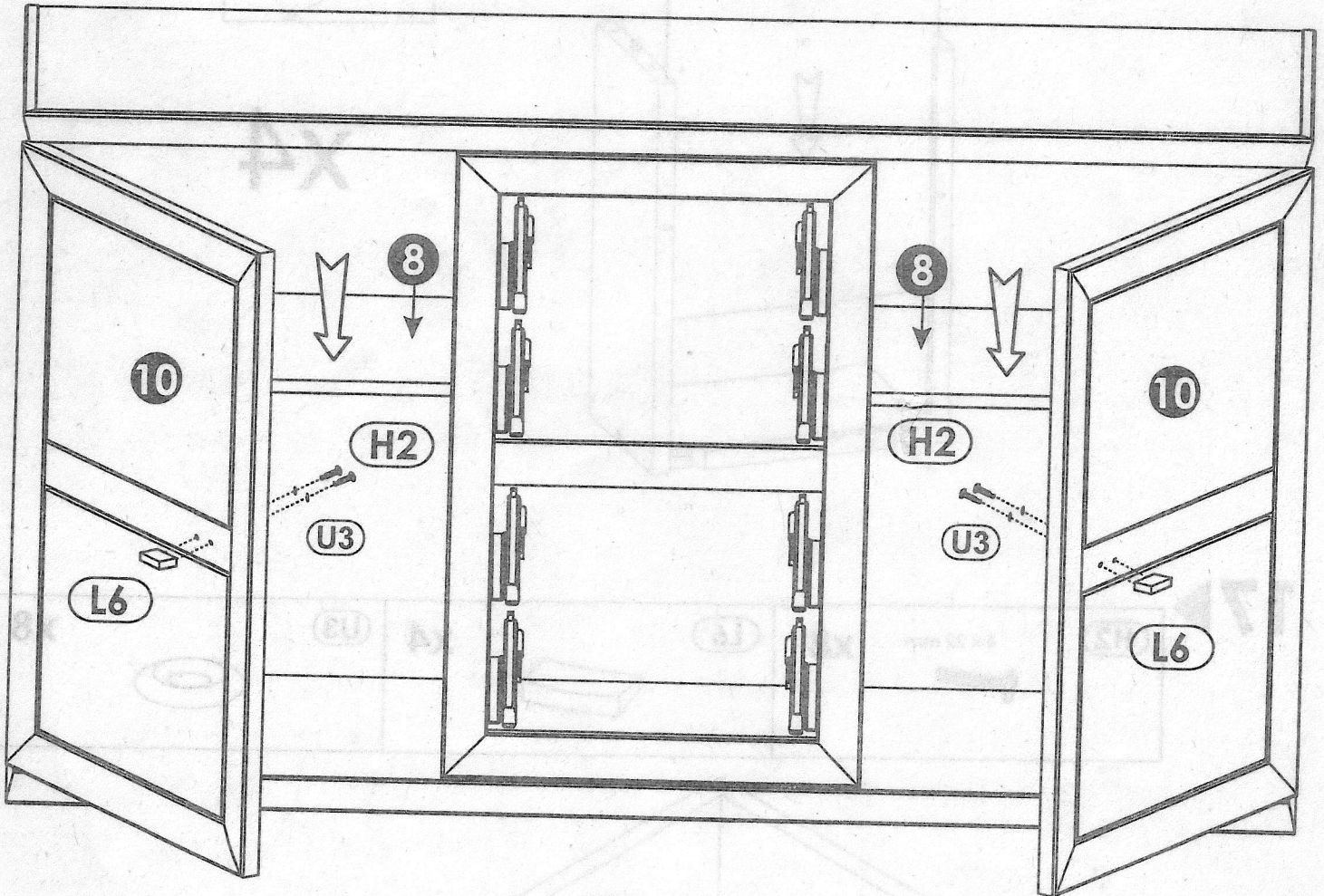
H2	4 x 22 mm	x8	L6		x4	U3		x8
-----------	-----------	-----------	-----------	--	-----------	-----------	--	-----------



x4

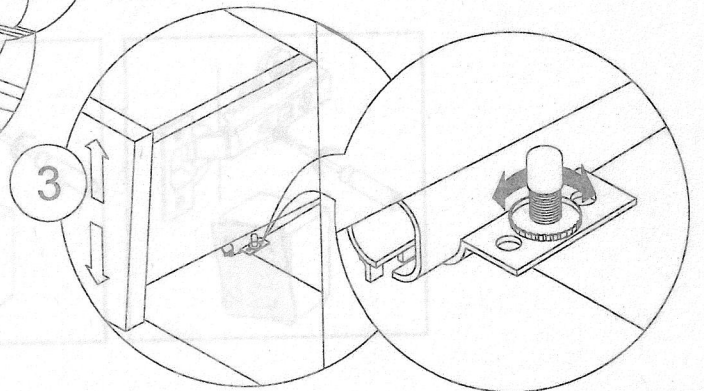
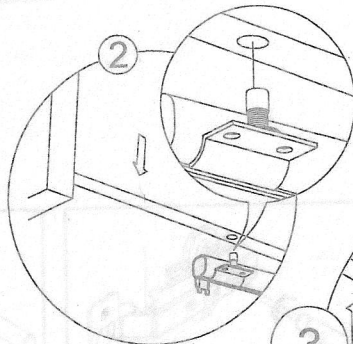
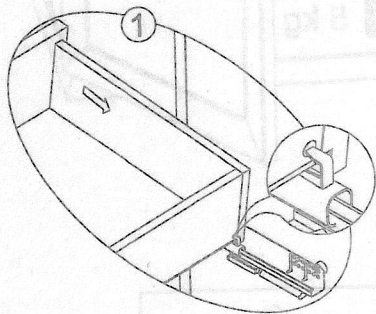
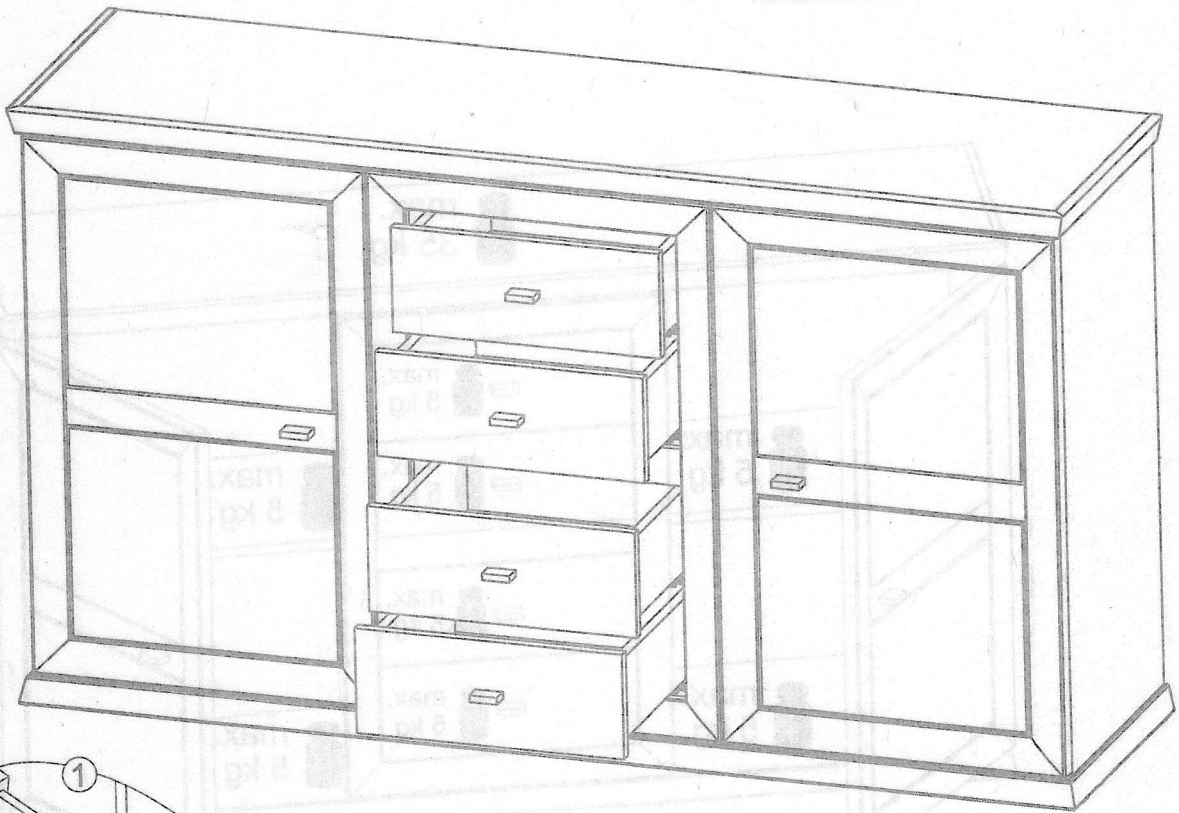
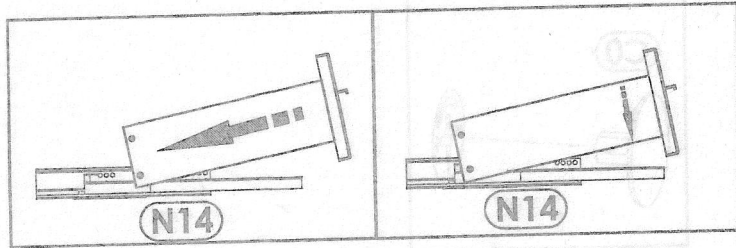
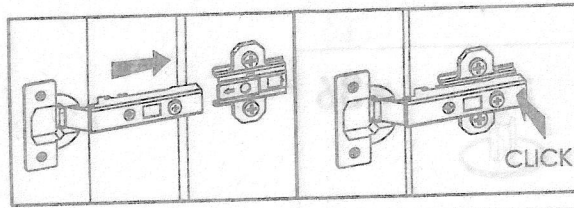
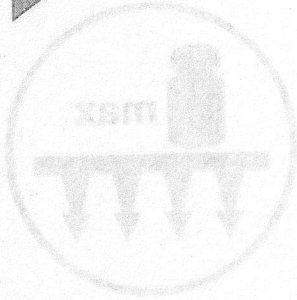
18 ▶

H2 4 x 22 mm x4 	L6 x2 	U3 x4 
---	--	--



19 ▶

◀ 20



20 ▶

